



US00D986002S

(12) **United States Design Patent** (10) **Patent No.:** **US D986,002 S**  
**Chen** (45) **Date of Patent:** **\*\* May 16, 2023**

(54) **COFFEE POD HOLDER**  
(71) Applicant: **Jinxia Chen**, Zhejiang (CN)  
(72) Inventor: **Jinxia Chen**, Zhejiang (CN)  
(\*\*) Term: **15 Years**  
(21) Appl. No.: **29/797,612**  
(22) Filed: **Jul. 1, 2021**  
(51) **LOC (14) Cl.** ..... **07-06**  
(52) **U.S. Cl.**  
USPC ..... **D7/399**  
(58) **Field of Classification Search**  
USPC ..... D7/306, 312, 313, 387, 399, 400;  
D9/414, 416, 424, 428, 429, 741;  
D23/209  
CPC .. A47J 31/42; A47J 31/06; A47J 31/44; A47J  
31/08; A47J 31/02; A47J 31/4403; A47J  
31/407; A47J 31/0663; A47J 31/057;  
A47J 31/005; A47J 31/0668; A47J 31/10;  
A47J 31/3623; B65D 85/8061; B65D  
85/8043; B65D 85/8046; B65D 85/808;  
B65D 2581/3409; B65D 85/804  
See application file for complete search history.

(56) **References Cited**  
U.S. PATENT DOCUMENTS  
D407,602 S \* 4/1999 Patel ..... D7/400  
D567,021 S \* 4/2008 Bach ..... D7/399  
D598,706 S \* 8/2009 Neace ..... D7/399  
D613,112 S \* 4/2010 Lippert ..... D7/399

D614,444 S \* 4/2010 Struzka ..... D7/399  
D623,894 S \* 9/2010 Jacquet ..... D7/399  
D628,852 S \* 12/2010 Struzka ..... D7/399  
D666,456 S \* 9/2012 Struzka ..... D7/399  
D670,539 S \* 11/2012 Starr ..... D7/399  
D772,644 S \* 11/2016 Kestenbaum ..... D7/399  
D800,497 S \* 10/2017 Fedorak ..... D7/399  
D874,218 S \* 2/2020 Wood ..... D7/400  
D893,293 S \* 8/2020 Fedorak ..... D7/400  
D899,573 S \* 10/2020 Ogihara ..... D24/162

\* cited by examiner

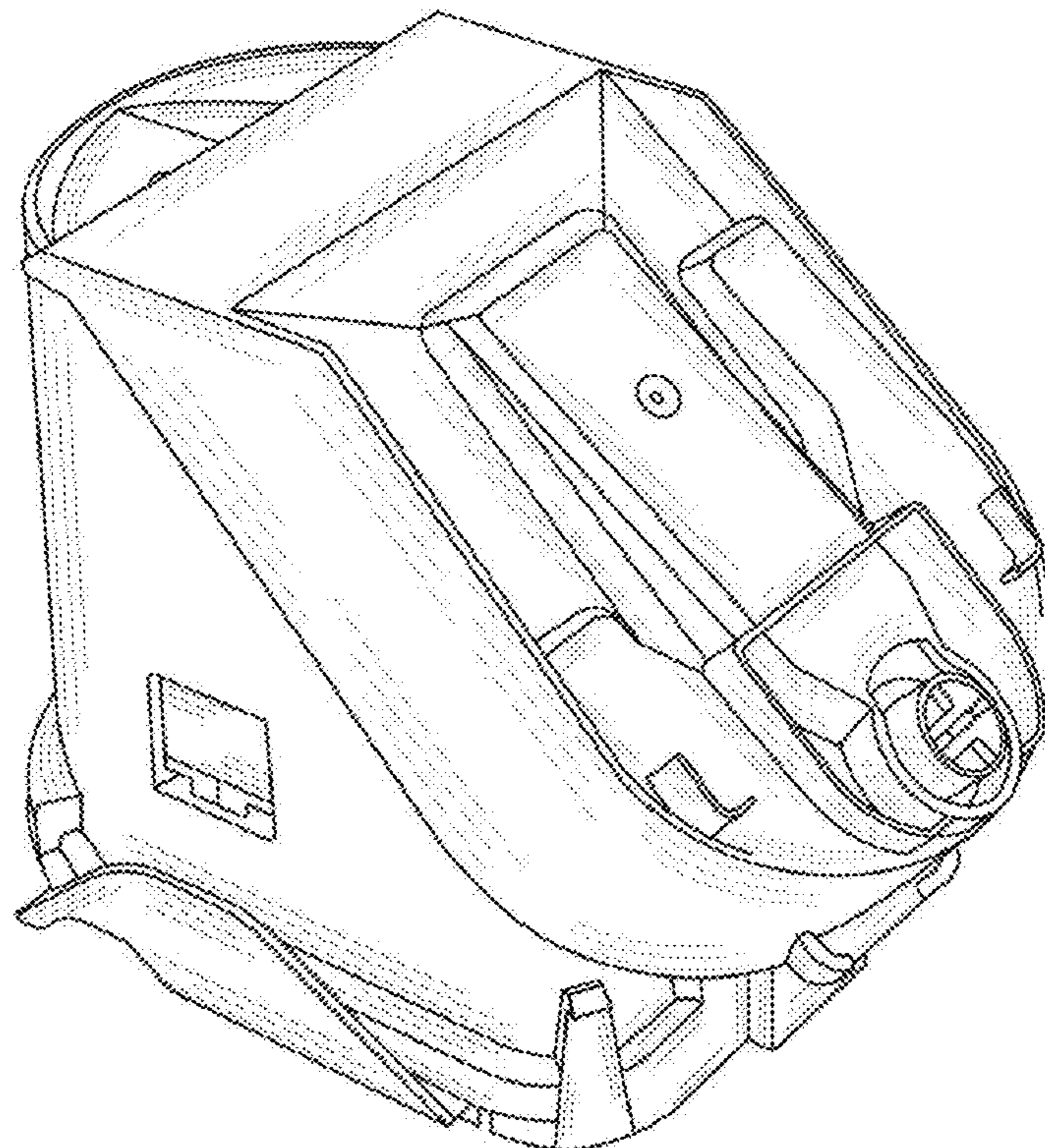
*Primary Examiner* — Joseph Kukella  
*Assistant Examiner* — Darryl J Dardenne

(57) **CLAIM**  
The ornamental design for a coffee pod holder, as shown and described.

**DESCRIPTION**

FIG. 1 is a perspective view of a coffee pod holder design showing my new design.  
FIG. 2 is a front view of a coffee pod holder.  
FIG. 3 is a rear view of a coffee pod holder.  
FIG. 4 is a left side view of a coffee pod holder.  
FIG. 5 is a right side view of a coffee pod holder.  
FIG. 6 is a top view of a coffee pod holder.  
FIG. 7 is a bottom view of a coffee pod holder; and,  
FIG. 8 is a perspective view of a coffee pod holder, shown in a split state.  
Any shading and cross-hatching are not features of the design but are utilized to illustrate the surface contours of the coffee pod holder design in the drawings.

**1 Claim, 8 Drawing Sheets**



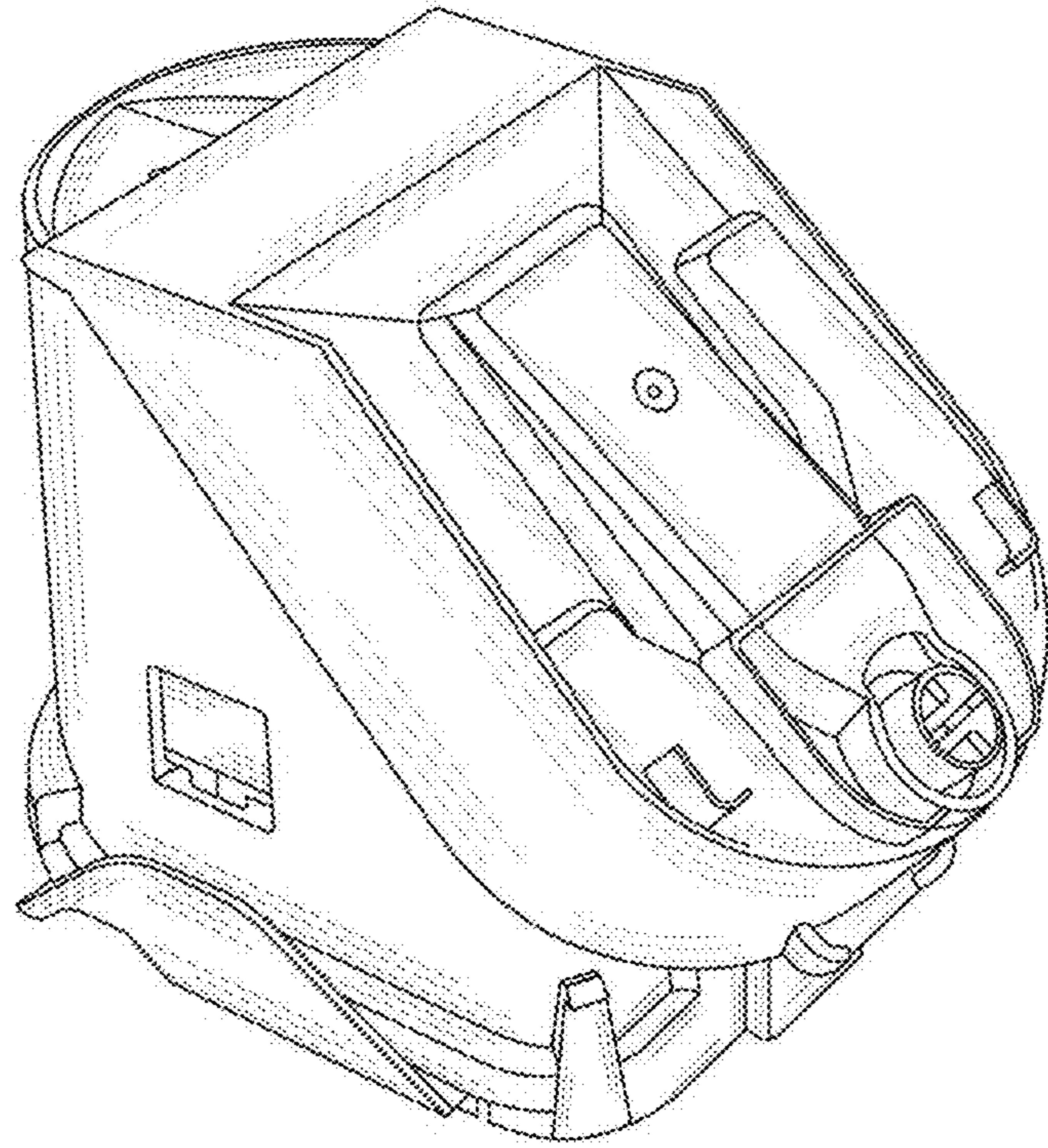


FIG. 1

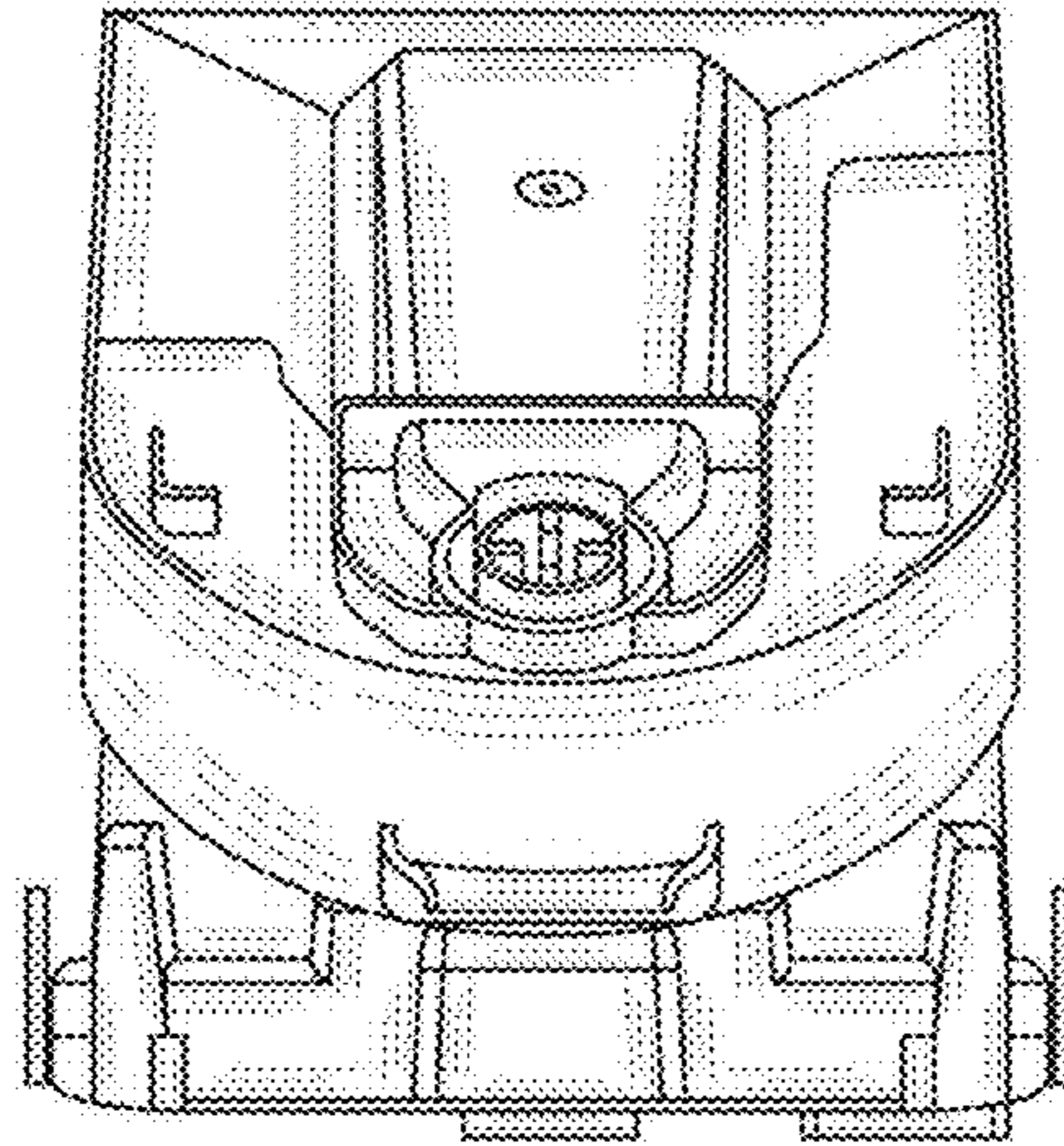


FIG. 2

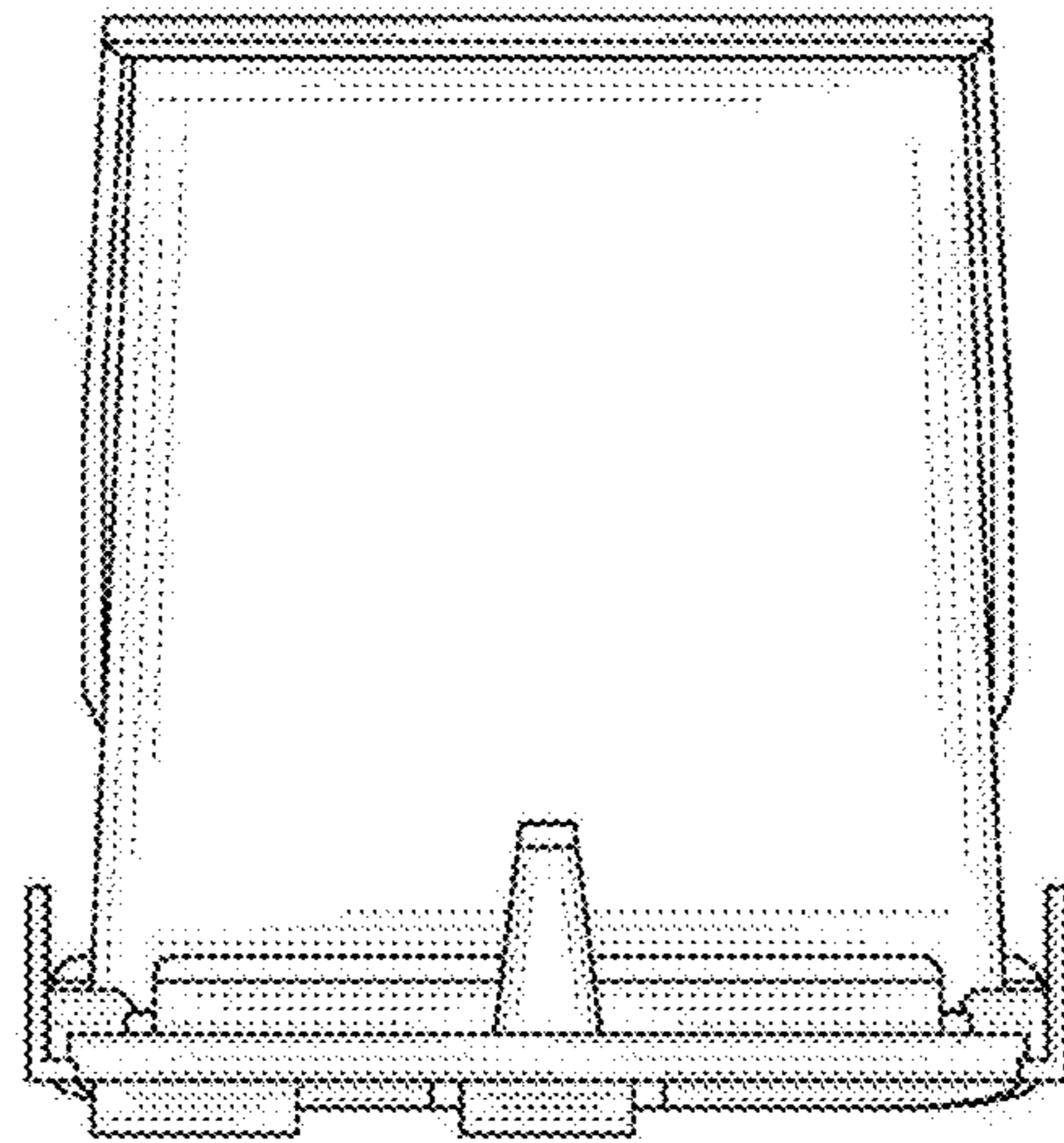


FIG. 3

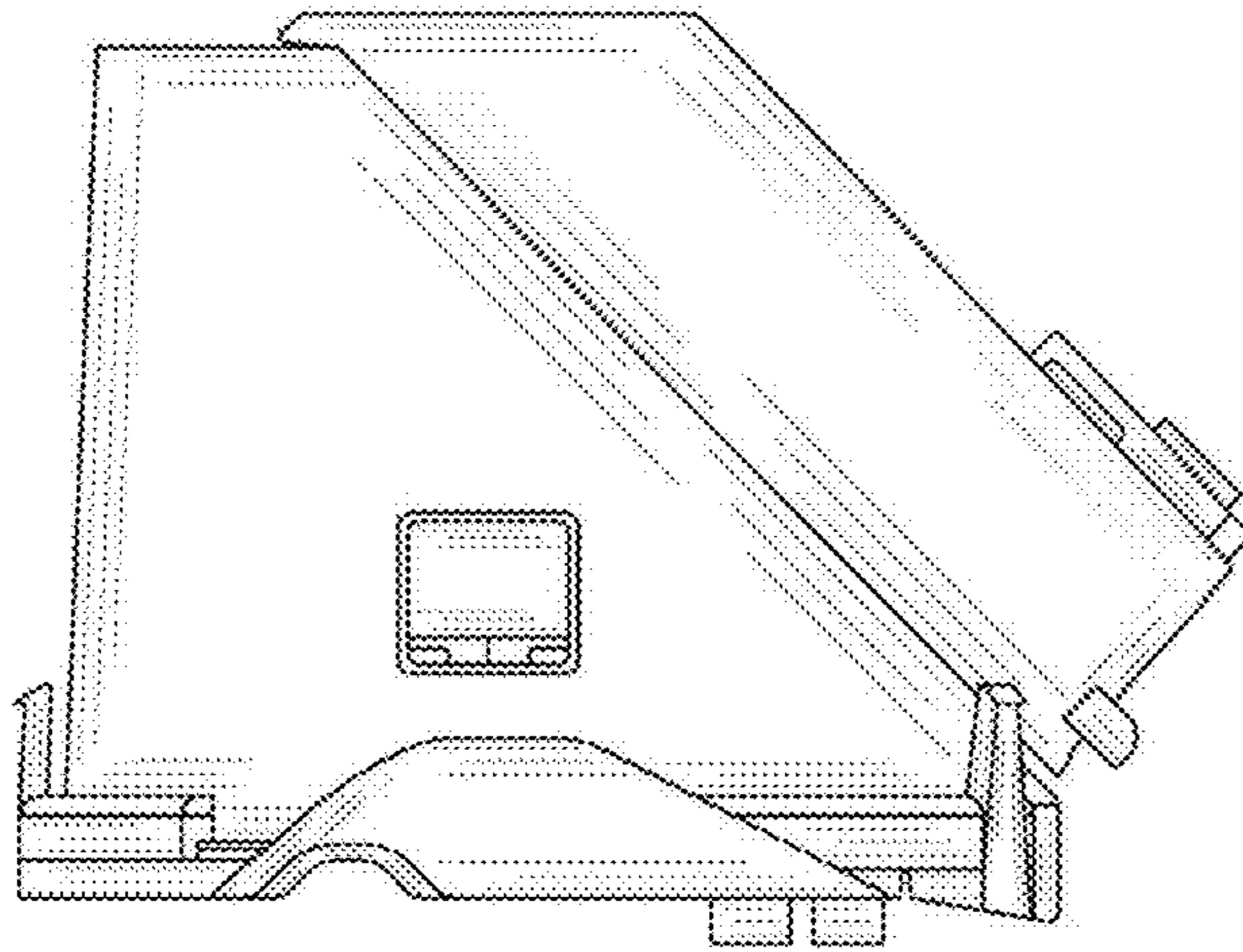


FIG. 4

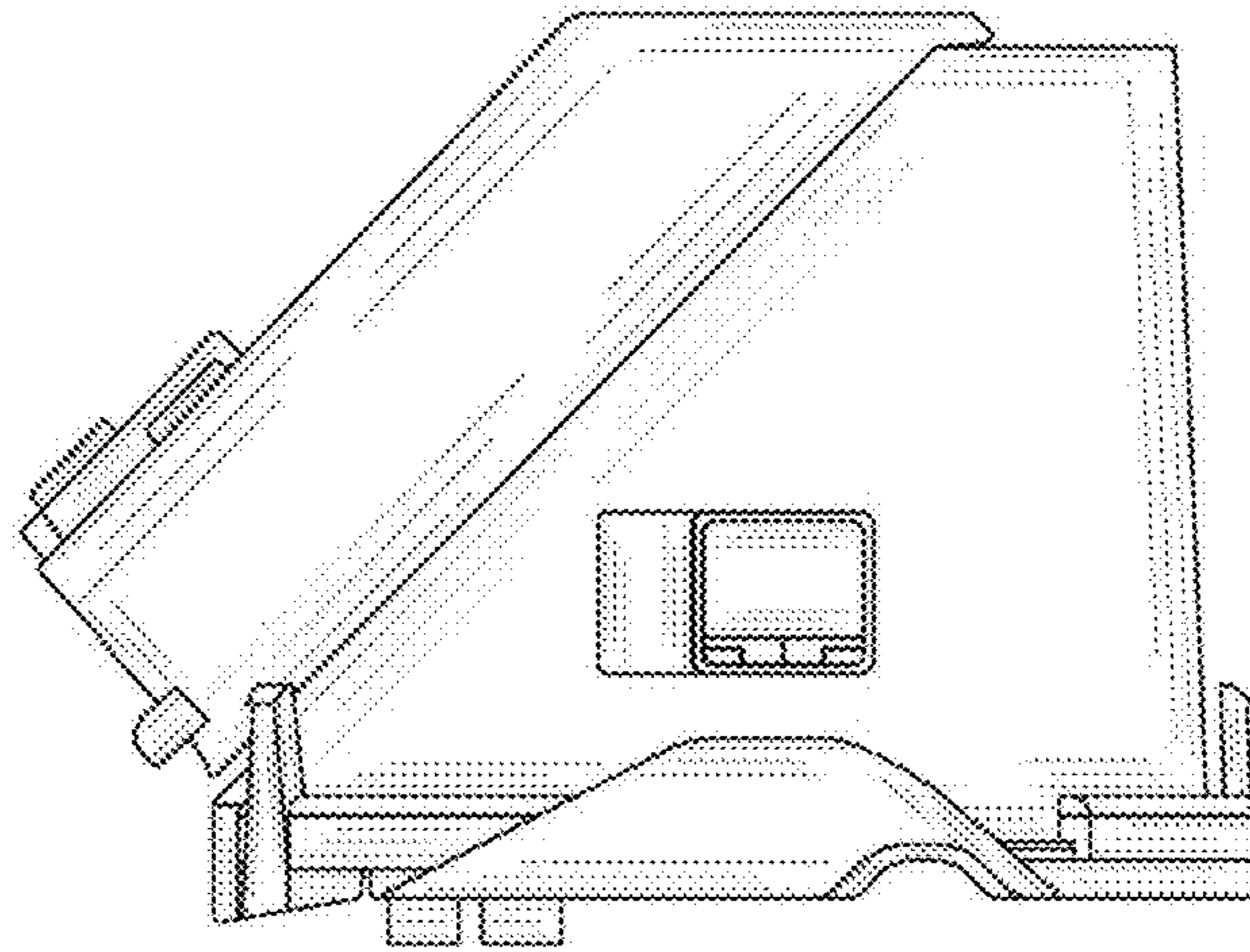


FIG. 5

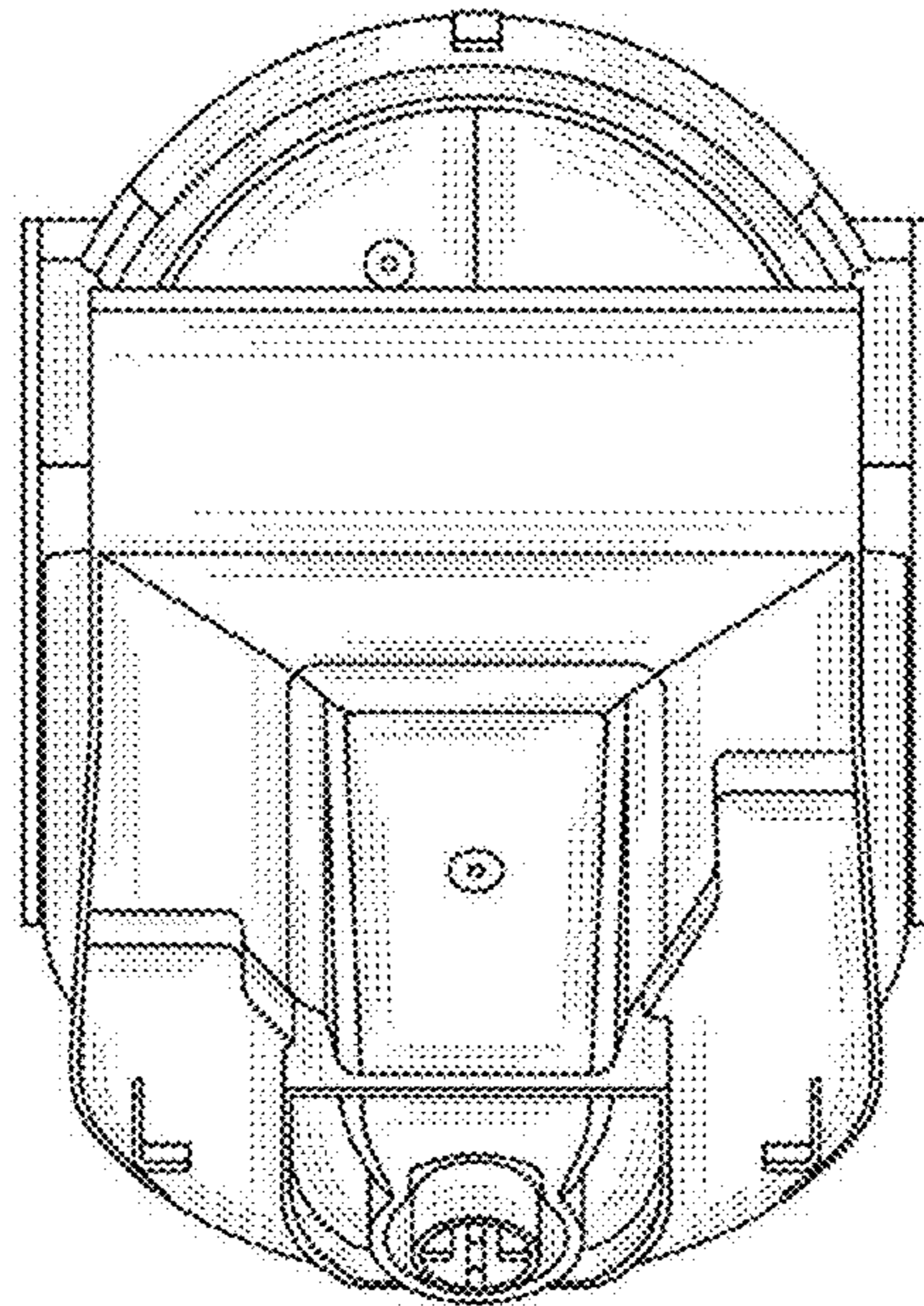


FIG. 6

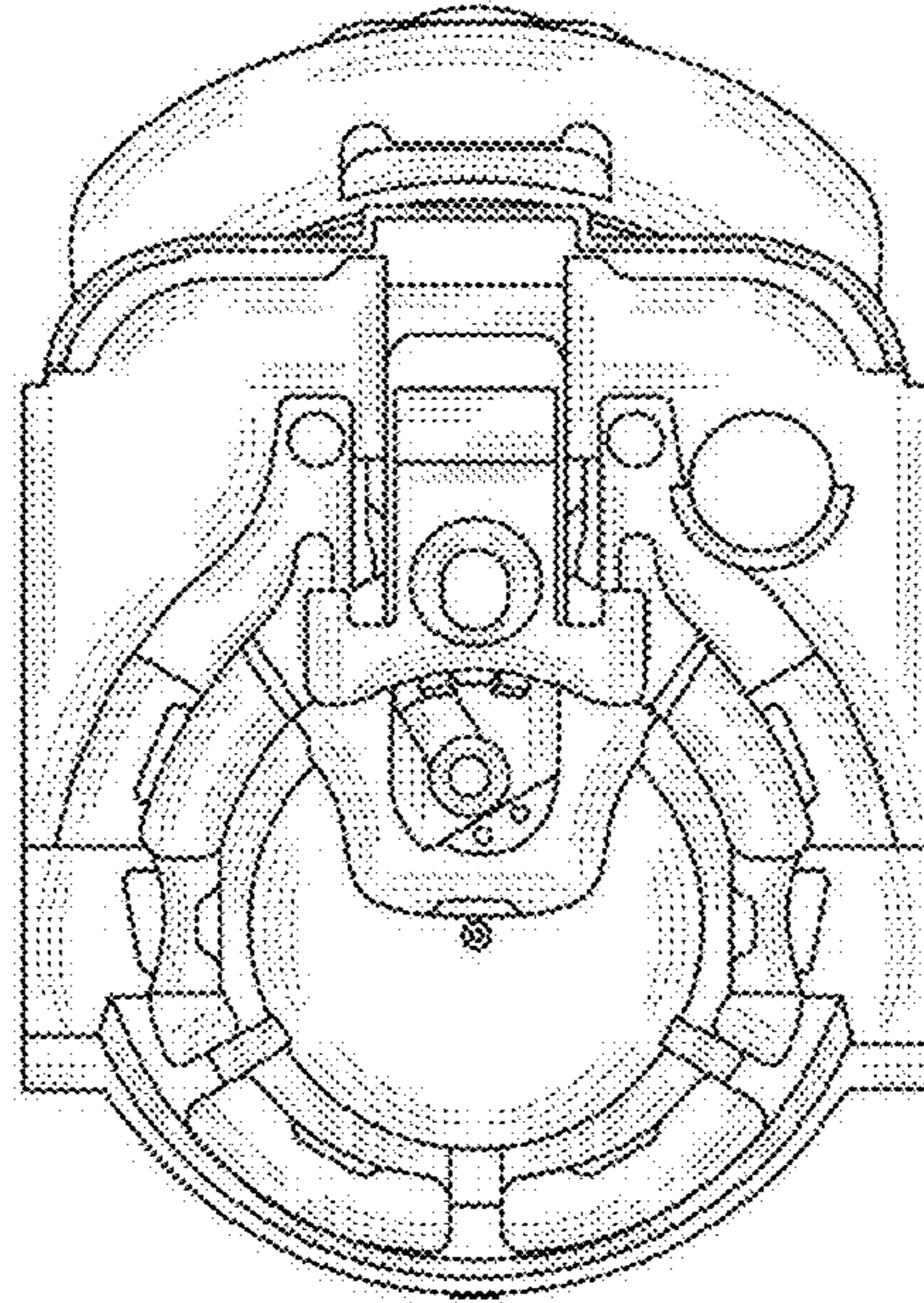


FIG. 7



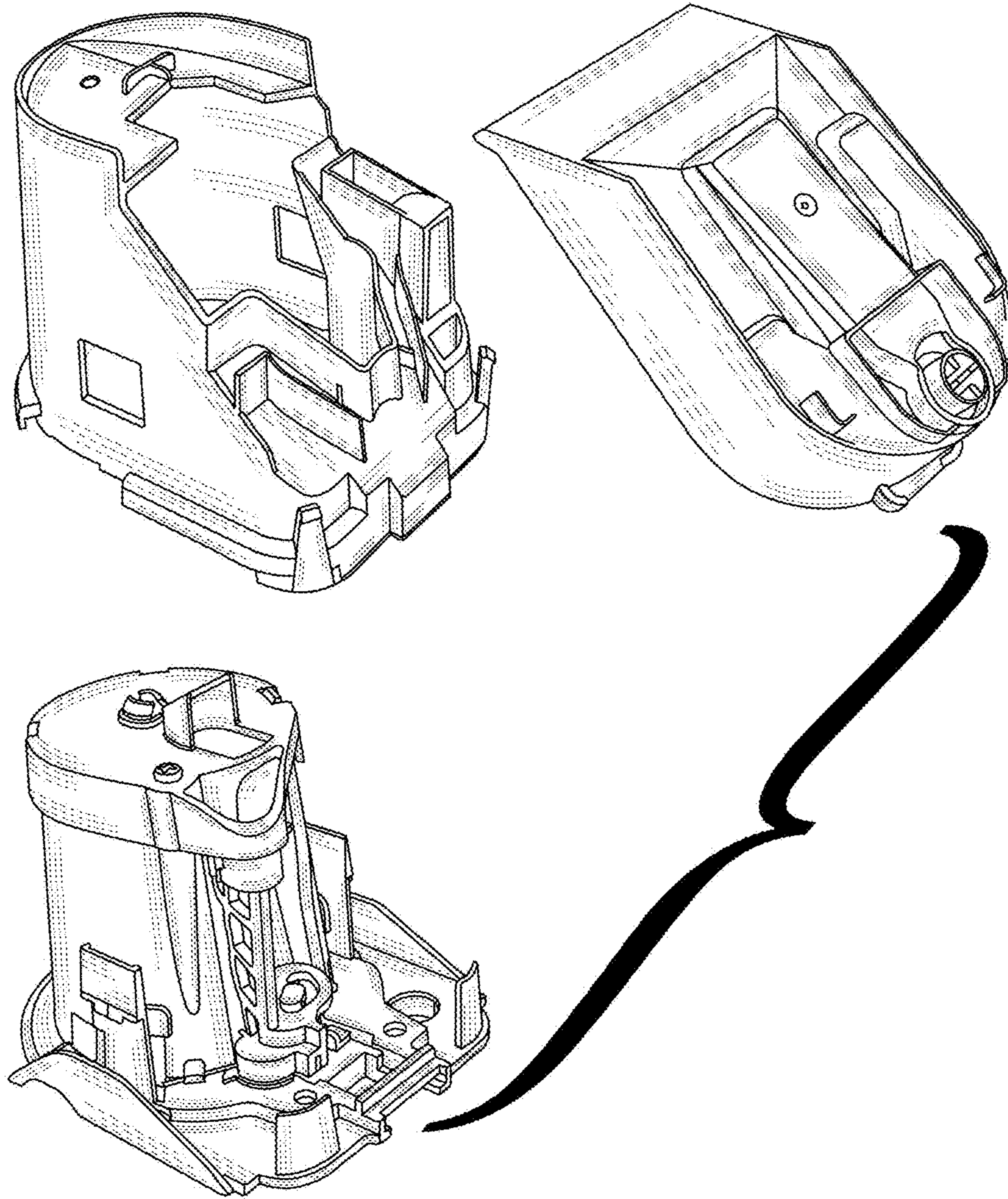


FIG. 8