



US00D986001S

(12) **United States Design Patent**
Zheng

(10) **Patent No.:** **US D986,001 S**

(45) **Date of Patent:** **** May 16, 2023**

- (54) **BOTTLE CAP**
- (71) Applicant: **Wenbin Zheng**, Dongguan (CN)
- (72) Inventor: **Wenbin Zheng**, Dongguan (CN)
- (73) Assignee: **Dongguan Mai Ya Tang Plastic Technology Co., Ltd**, Guangdong (CN)
- (**) Term: **15 Years**
- (21) Appl. No.: **29/785,688**
- (22) Filed: **May 26, 2021**

- D626,837 S * 11/2010 Meyers D9/443
- D696,551 S * 12/2013 Meyers D7/392.1
- D730,694 S * 6/2015 Elsaden D7/511
- D739,174 S * 9/2015 Elsaden D7/392.1
- D780,516 S * 3/2017 Cornelius D7/510
- D781,654 S * 3/2017 Marquard A45F 3/16
D7/510
- D802,366 S * 11/2017 Cerasani D7/532
- D817,084 S * 5/2018 Hammer D7/392.1
- D826,631 S * 8/2018 Baron D7/392.1
- D875,473 S * 2/2020 Wahlkvist D7/510
- D878,855 S * 3/2020 Nucci D7/392.1
- D881,648 S * 4/2020 Xue D7/532

(Continued)

(30) **Foreign Application Priority Data**

Dec. 28, 2020 (CN) 202030809785.3

(51) **LOC (14) Cl.** **07-99**

(52) **U.S. Cl.**
USPC **D7/396.2**

(58) **Field of Classification Search**
USPC D7/396.2, 300.1, 608, 509, 511, 510,
D7/523, 591, 597, 598, 543, 396.1, 300,
D7/605, 387, 392.1; D9/516, 529, 541,
D9/544, 545, 546, 549, 559, 772, 777,
D9/778, 780, 434, 435, 443; D3/202
CPC .. A47G 19/22; A47G 19/228; A47G 19/2216;
A47G 19/2222; A47G 19/2205; A47G
19/2266; A47G 19/2272; A47G 23/0241;
A45F 3/16; A45F 3/18; A45F 22/00;
A45F 22/0583; A47J 43/02; A47J 43/27;
A47J 36/14; B65D 41/02; B65D 41/04;
B65D 41/06; B65D 41/26; B65D 41/056;
B65D 41/0414; B65D 43/00; B65D
43/02; B65D 51/18; B65D 23/102; B65D
1/06

See application file for complete search history.

(56) **References Cited**

U.S. PATENT DOCUMENTS

- D418,364 S * 1/2000 Demore D7/392.1
- D532,650 S * 11/2006 de Groot D7/392

OTHER PUBLICATIONS

20 oz Brawny Plastic Water Bottles with Flip Lid, available in discountmugs.com, date unknown, site visited Dec. 13, 2022, Internet URL: <<https://www.discountmugs.com/product/wb342-20oz-brawny-plastic-water-bottles-with-flip-lid/>> (Year: 2022).*

Primary Examiner — Andrew Kerr

Assistant Examiner — Courtney J Clark-Rasheed

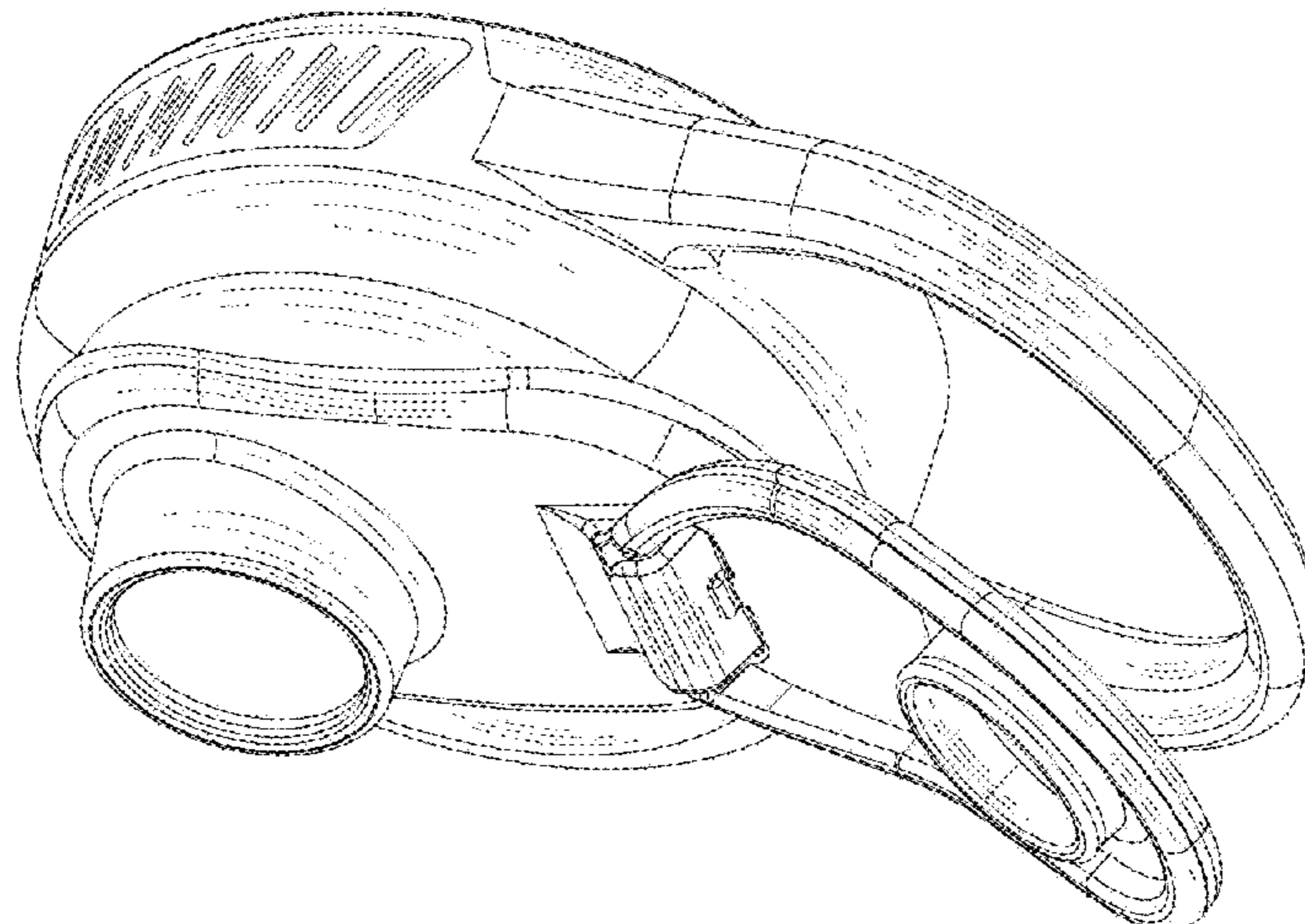
(57) **CLAIM**

The ornamental design for a bottle cap, as shown and described.

DESCRIPTION

FIG. 1 is a front, bottom perspective view of a bottle cap showing my new design;
 FIG. 2 is a front elevation view thereof;
 FIG. 3 is a rear elevation view thereof;
 FIG. 4 is a left side elevation view thereof;
 FIG. 5 is a right side elevation view thereof;
 FIG. 6 is a top plan view thereof;
 FIG. 7 is a bottom plan view thereof; and,
 FIG. 8 is a rear, top perspective view thereof.

1 Claim, 8 Drawing Sheets



(56)

References Cited

U.S. PATENT DOCUMENTS

D942,209 S *	2/2022	Hao	D7/392.1
D950,307 S *	5/2022	Peng	D7/392.1
D957,876 S *	7/2022	Hu	D7/392.1
D958,590 S *	7/2022	Bergström	D7/392.1
2019/0100362 A1 *	4/2019	Meyers	A47G 19/2272

* cited by examiner

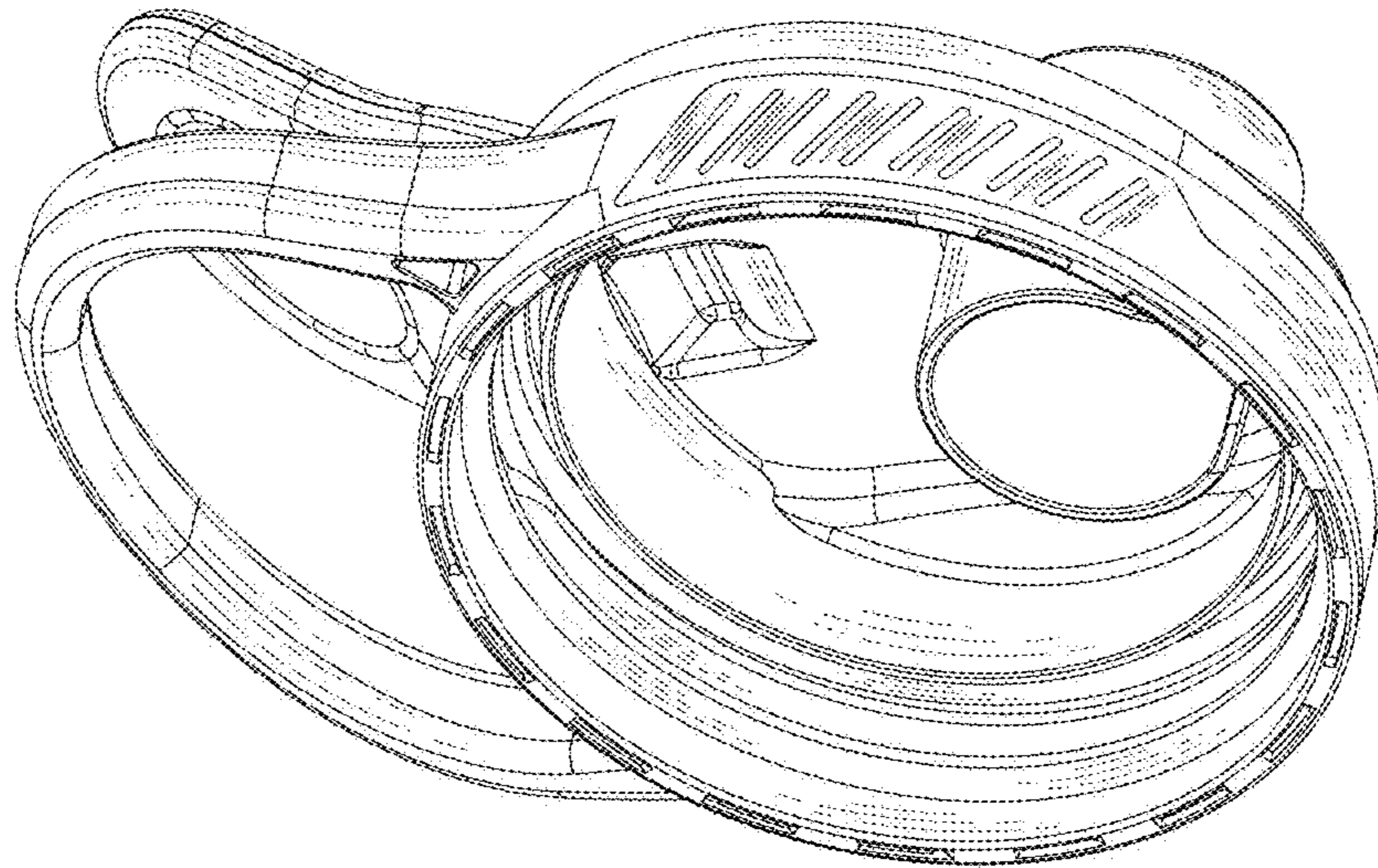


FIG. 1

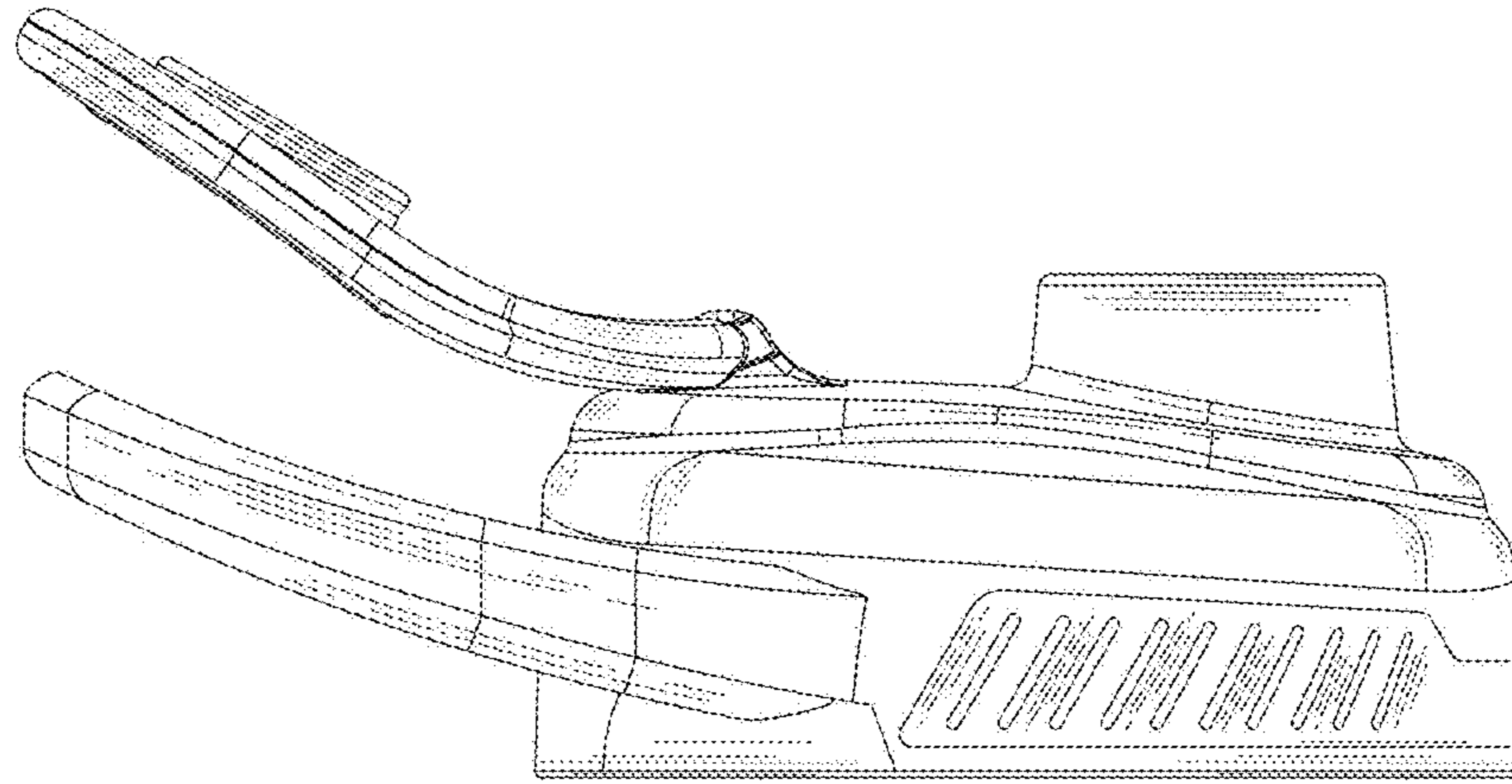


FIG. 2

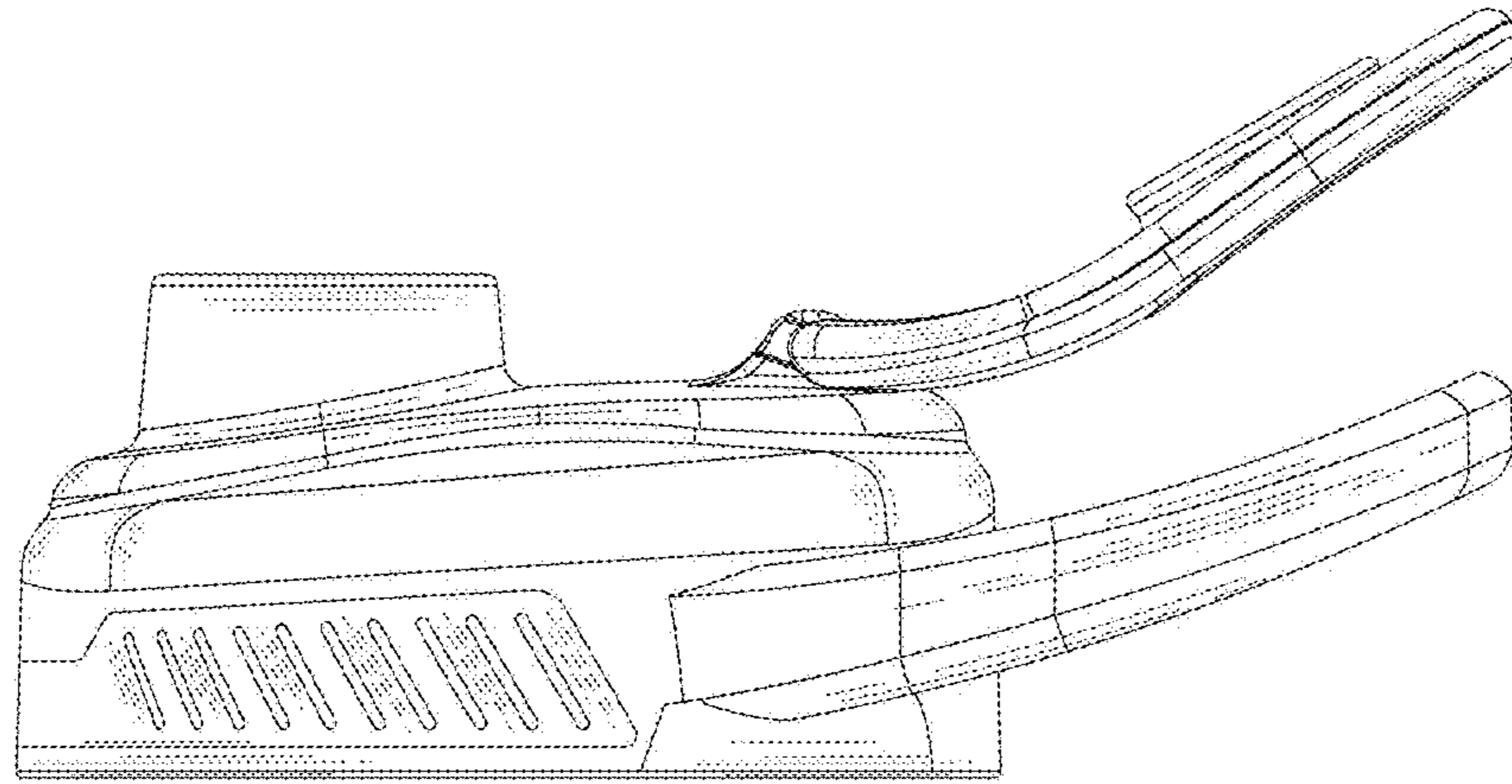


FIG. 3

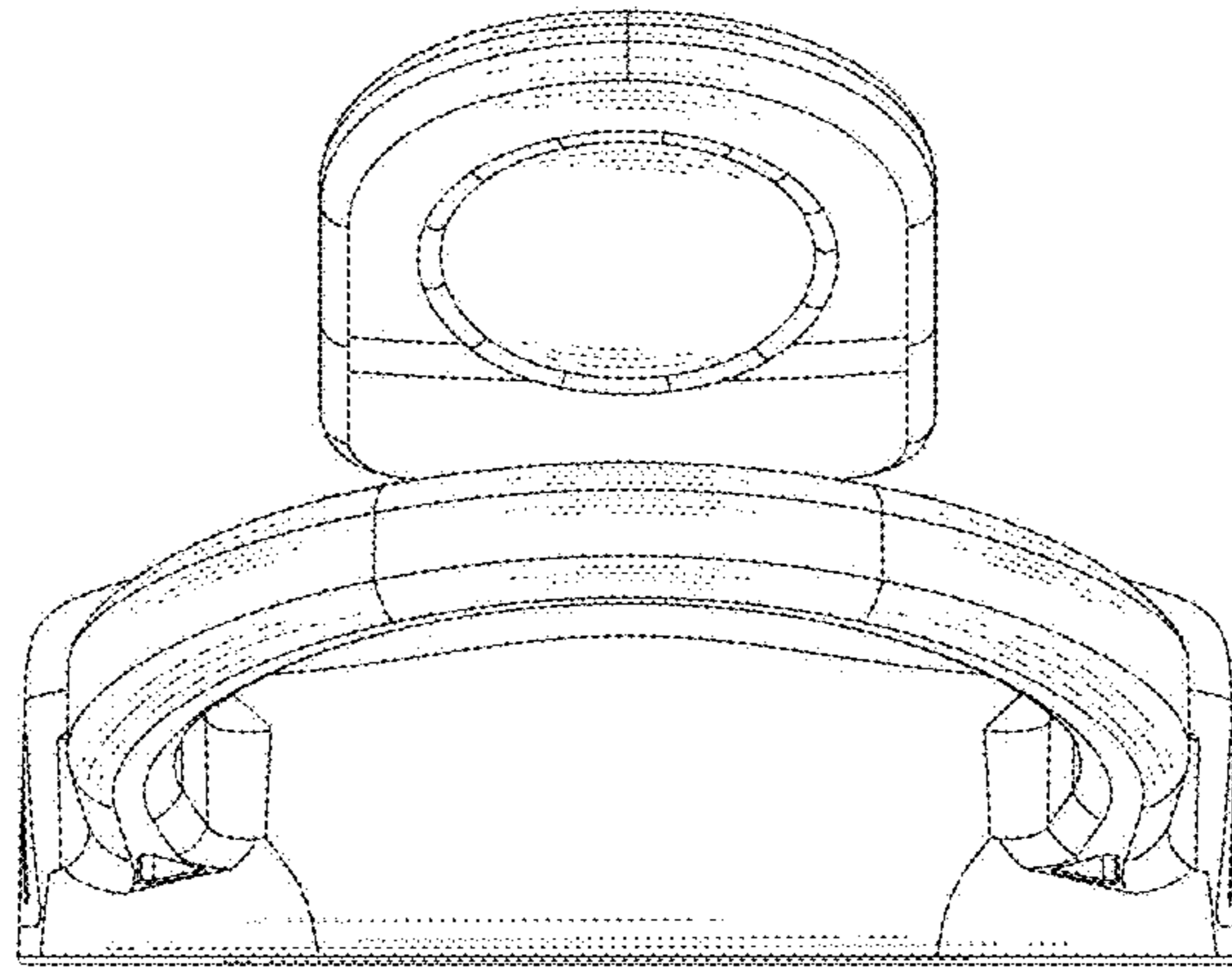


FIG. 4

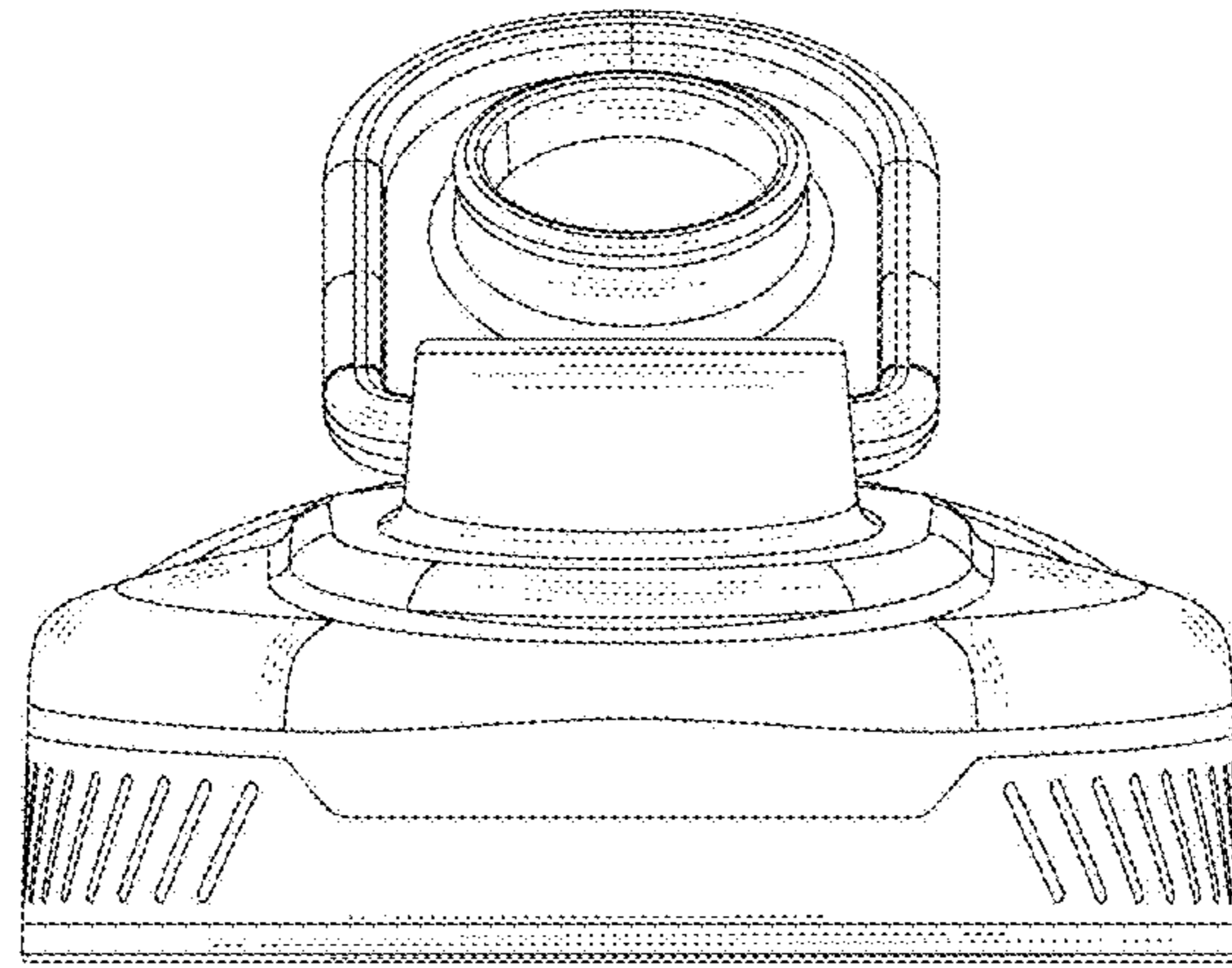


FIG. 5

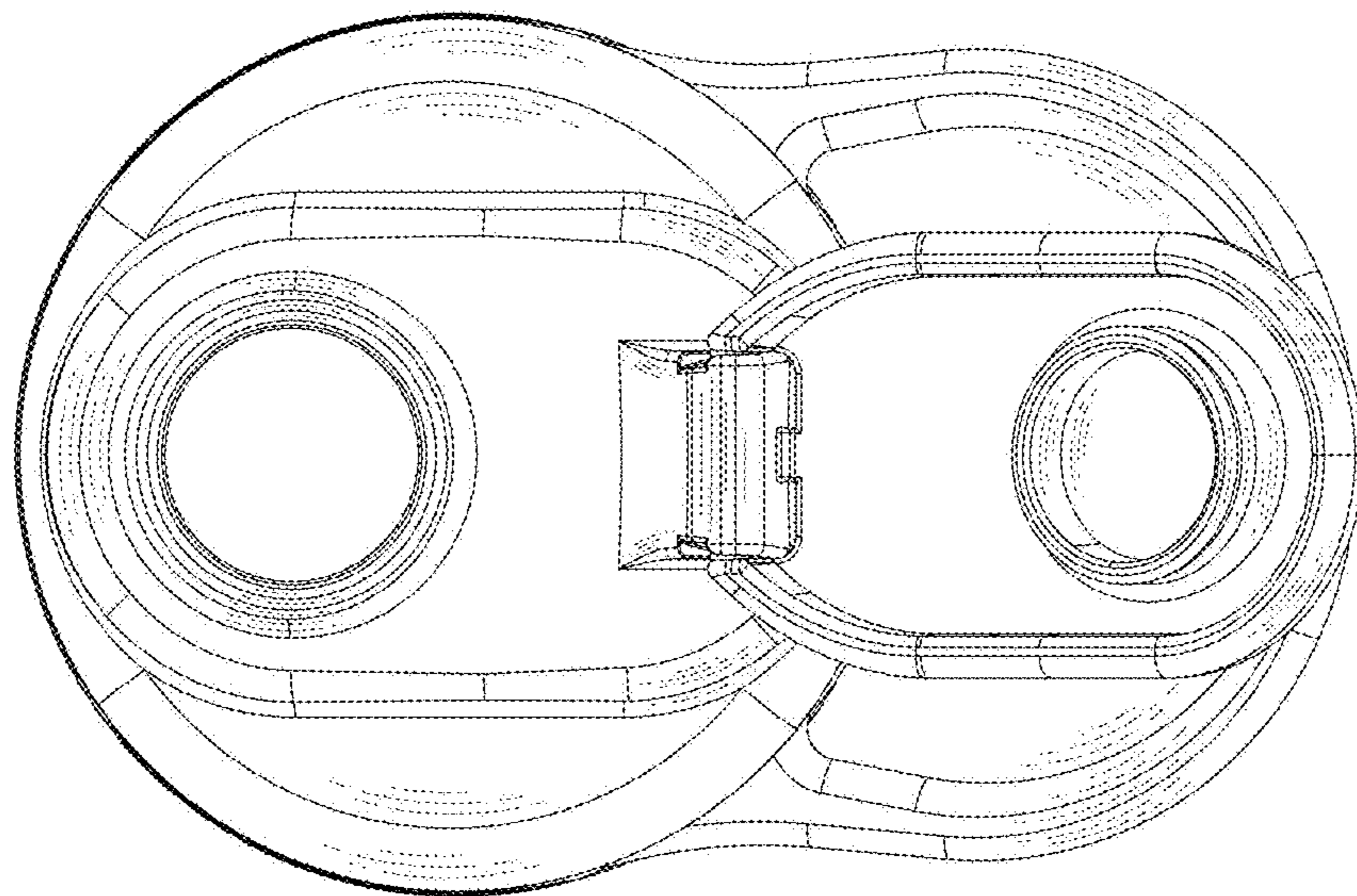


FIG. 6

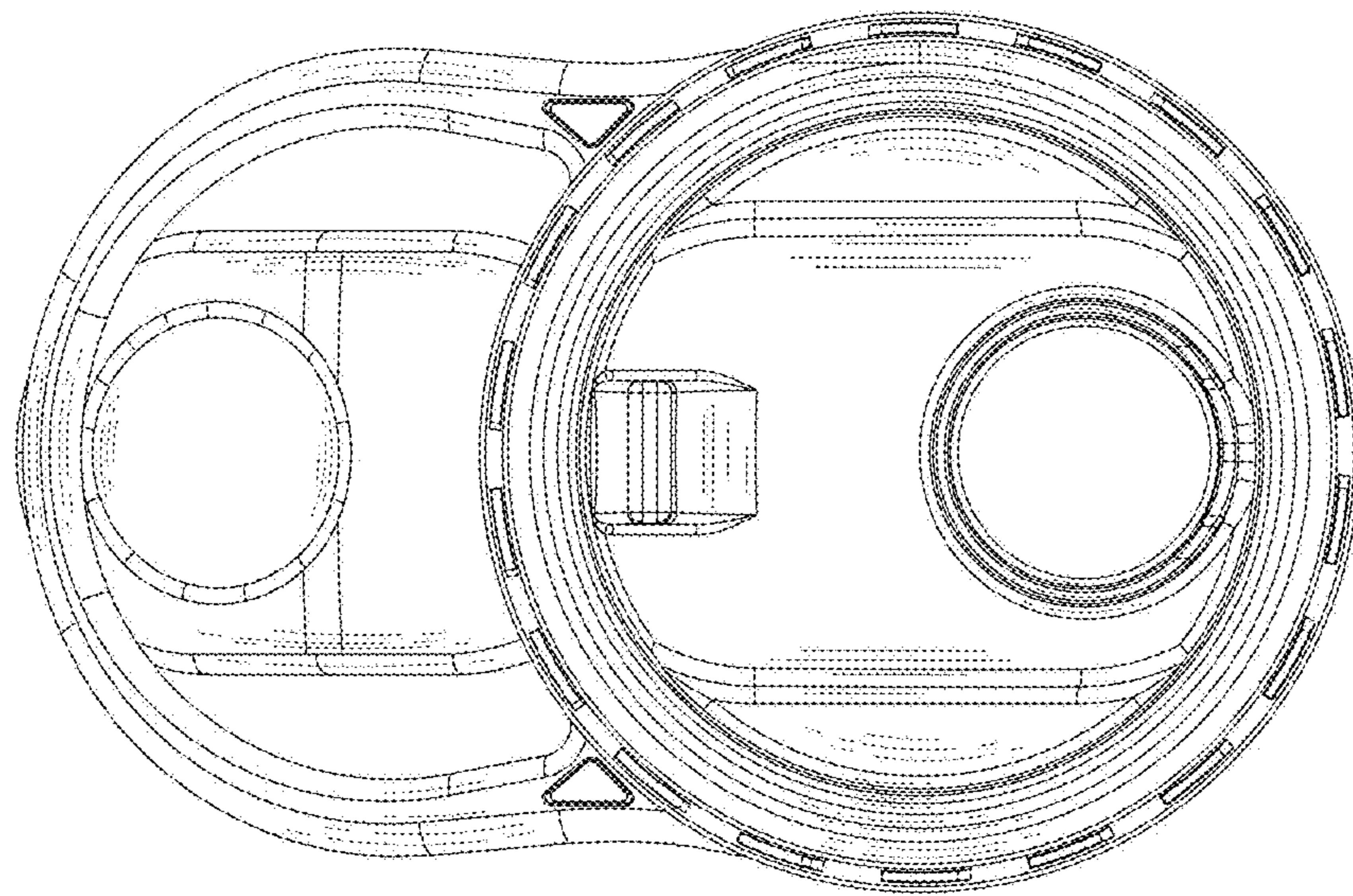


FIG. 7

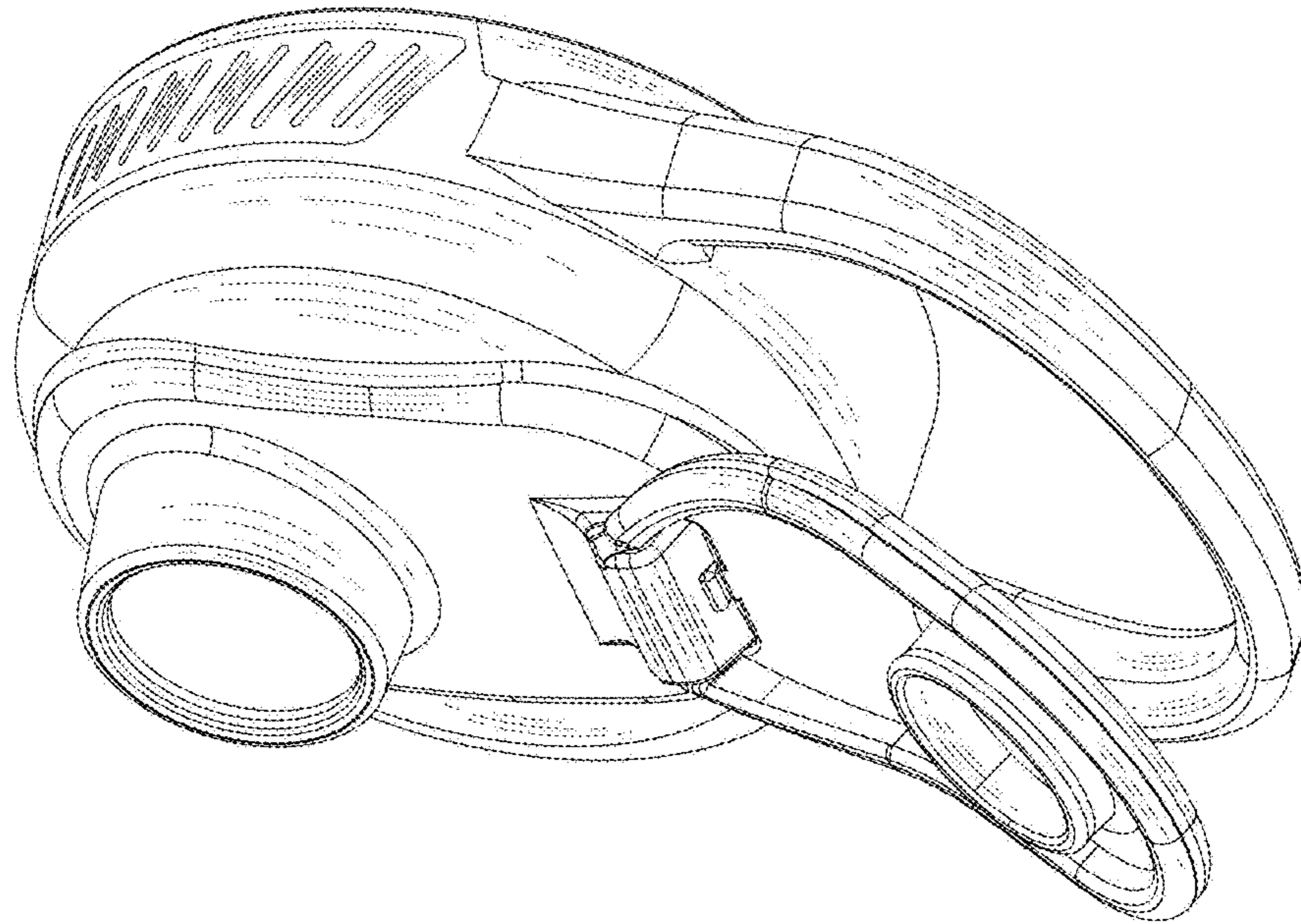


FIG. 8