



US00D985999S

(12) **United States Design Patent** (10) **Patent No.:** **US D985,999 S**
Ying (45) **Date of Patent:** **** May 16, 2023**

(54) **LID**

(71) Applicant: **NINGBO JIELIPU HOUSEWARE CO., LTD**, Ningbo (CN)

(72) Inventor: **Xuejun Ying**, Ningbo (CN)

(**) Term: **15 Years**

(21) Appl. No.: **29/767,559**

(22) Filed: **Jan. 23, 2021**

(51) **LOC (14) Cl.** **07-09**

(52) **U.S. Cl.**
USPC **D7/391; D7/392.1**

(58) **Field of Classification Search**
USPC D7/507, 509, 510, 511, 513, 531, 532, D7/523, 533, 392, 392.1, 396.1, 396.2, D7/300.1, 608, 900, 536, 535, 548, 300, D7/312, 314, 316, 318, 319, 320, 321, D7/322, 300.2, 619.1, 622, 635; D3/202; D9/716, 500, 531, 516, 549, 436, 440, D9/447; D30/129, 130, 131, 162
CPC A47G 19/22; A47G 19/2288; A47G 19/2205; A47J 41/0077; A47J 41/0088
See application file for complete search history.

(56) **References Cited**

U.S. PATENT DOCUMENTS

D172,854 S *	8/1954	Waldo	D7/392.1
D420,253 S *	2/2000	Malusek	D7/901
D432,857 S *	10/2000	Ming-Shiue	D7/392.1
D446,419 S *	8/2001	Ming-Shiue	D7/392.1
D498,973 S *	11/2004	Klock	D7/392.1
D550,030 S *	9/2007	Peterson	D7/392.1
D682,610 S *	5/2013	Carder	D7/392.1
D682,611 S *	5/2013	Carder	D7/392.1
D710,696 S *	8/2014	Kwon	D7/392.1
D784,767 S *	4/2017	Sawyer	D9/503
D795,069 S *	8/2017	Haddad	D7/392.1

(Continued)

FOREIGN PATENT DOCUMENTS

CA 207390 * 1/2023
CN 306110941 * 10/2020

(Continued)

OTHER PUBLICATIONS

GlouGlou [online] URL: <https://www.amazon.com/Microwave-Splatter-Cover-Collapsible-Silicone/dp/B0B2K23QWQ/> (site visited: Dec. 14, 2022) (Year: 2021).*

(Continued)

Primary Examiner — Jae Liang
Assistant Examiner — Tia Ruth-Renee Polidori

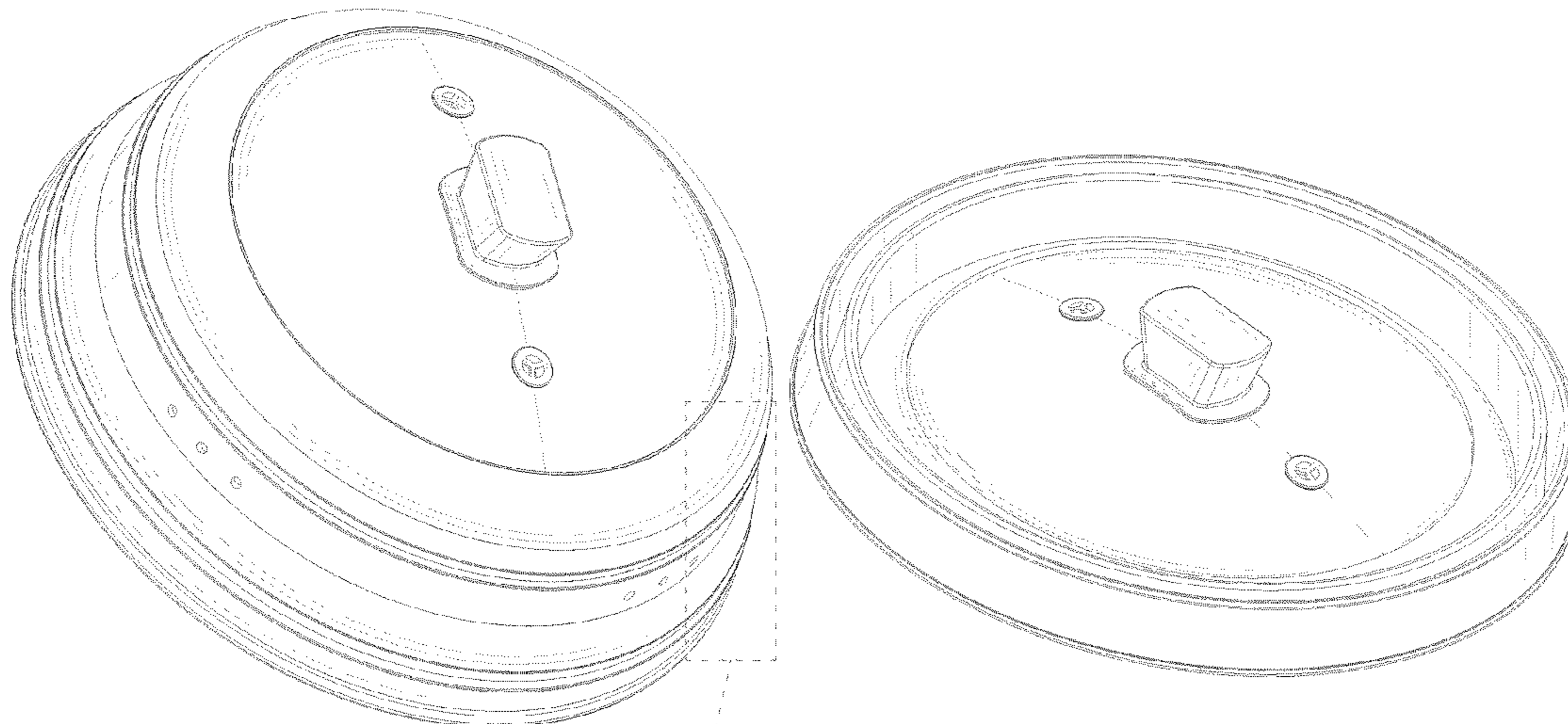
(57) **CLAIM**

The ornamental design for a lid, as shown and described.

DESCRIPTION

FIG. 1 is a top perspective view of a lid showing my new design;
FIG. 2 is a bottom perspective view of a lid showing my new design;
FIG. 3 is a front elevational view thereof;
FIG. 4 is a left side view thereof;
FIG. 5 is a top plan view thereof;
FIG. 6 is a bottom plan view thereof;
FIG. 7 is a top perspective view thereof, shown in a partially collapsed configuration for clarity of disclosure;
FIG. 8 is another top perspective view thereof, shown in a fully collapsed configuration for clarity of disclosure;
FIG. 9 is an enlarged view of portion 9 of FIG. 1;
FIG. 10 is an enlarged view of portion 10 of FIG. 2;
FIG. 11 is an enlarged view of portion 11 of FIG. 3;
FIG. 12 is an enlarged view of portion 12 of FIG. 3; and,
FIG. 13 is an enlarged view of portion 13 of FIG. 4.
The broken lines in the drawings depict partial view indicia and form no part of the claimed design.

1 Claim, 13 Drawing Sheets



(56)

References Cited

U.S. PATENT DOCUMENTS

D908,002 S * 1/2021 Bontrager D7/391
D917,962 S * 5/2021 Hartley D7/392.1
2013/0068773 A1* 3/2013 Buck A47G 19/2222
220/521

FOREIGN PATENT DOCUMENTS

CN 307612693 * 10/2022
IN 343650-001-0001 * 12/2022
JP D1632410 * 5/2019
JP D1657787 * 4/2020

OTHER PUBLICATIONS

Godinger [online] URL: <https://www.amazon.com/dp/B09CTL2R15/>
(site visited: Dec. 14, 2022) (Year: 2021).*

Bezrat [online] URL: <https://www.bezrat.com/products/microwave-glass-plate-cover-lid-vented-and-collapsible-design-with-a-safe-and-easy-grip-silicone-handle-10-5-inch-diameter> (site visited: Dec. 14, 2022) (Year: 2022).*

GlouGlou [online] URL: <https://www.amazon.com/Microwave-Splatter-Collapsible-Multifunction-Dishwasher/dp/B0B1J1M42X> (site visited: Dec. 14, 2022) (Year: 2022).*

Goferoy [online] URL: <https://www.amazon.com/dp/B0B2HVVWQR>
(site visited: Dec. 14, 2022) (Year: 2022).*

* cited by examiner

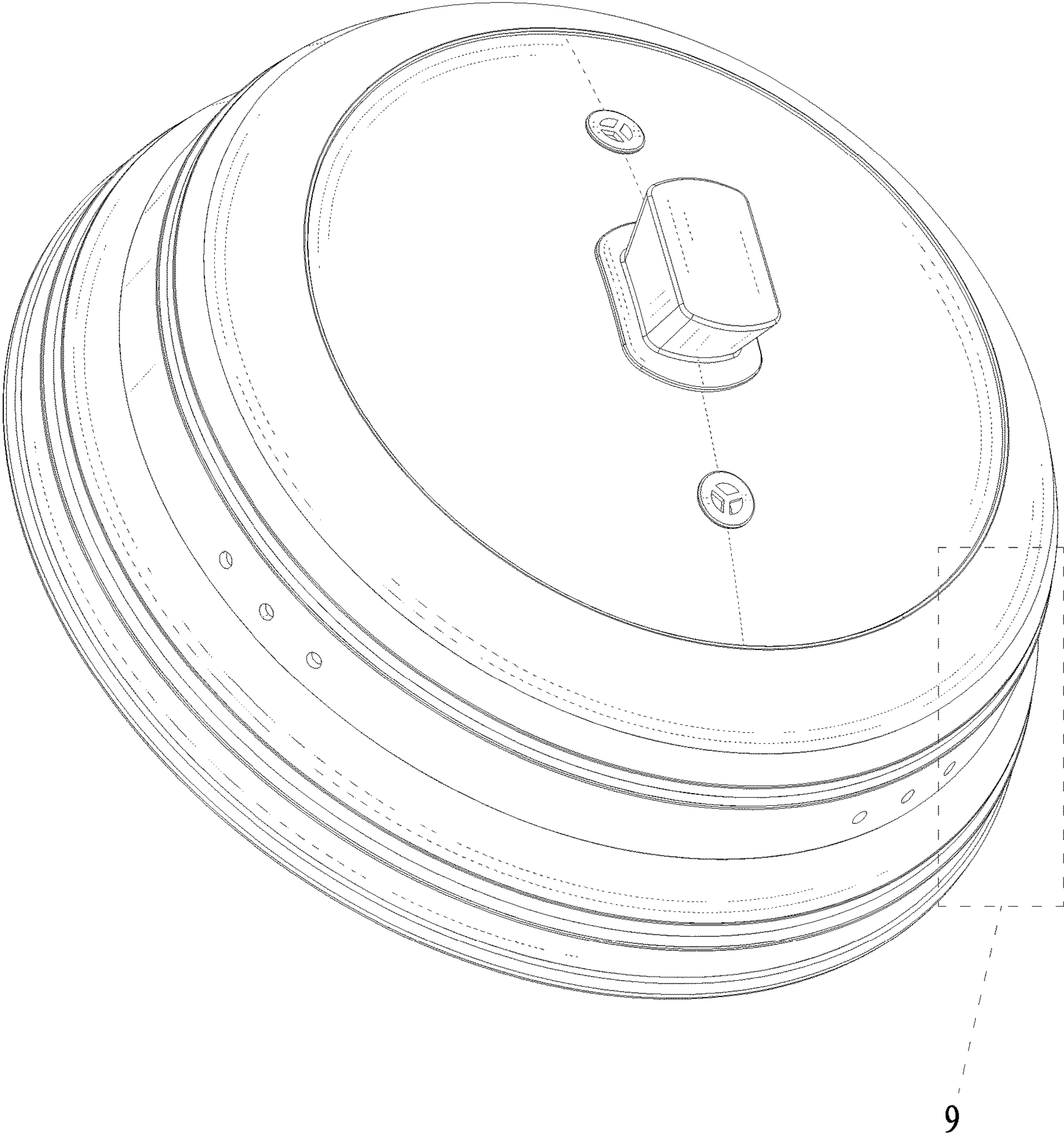


FIG. 1

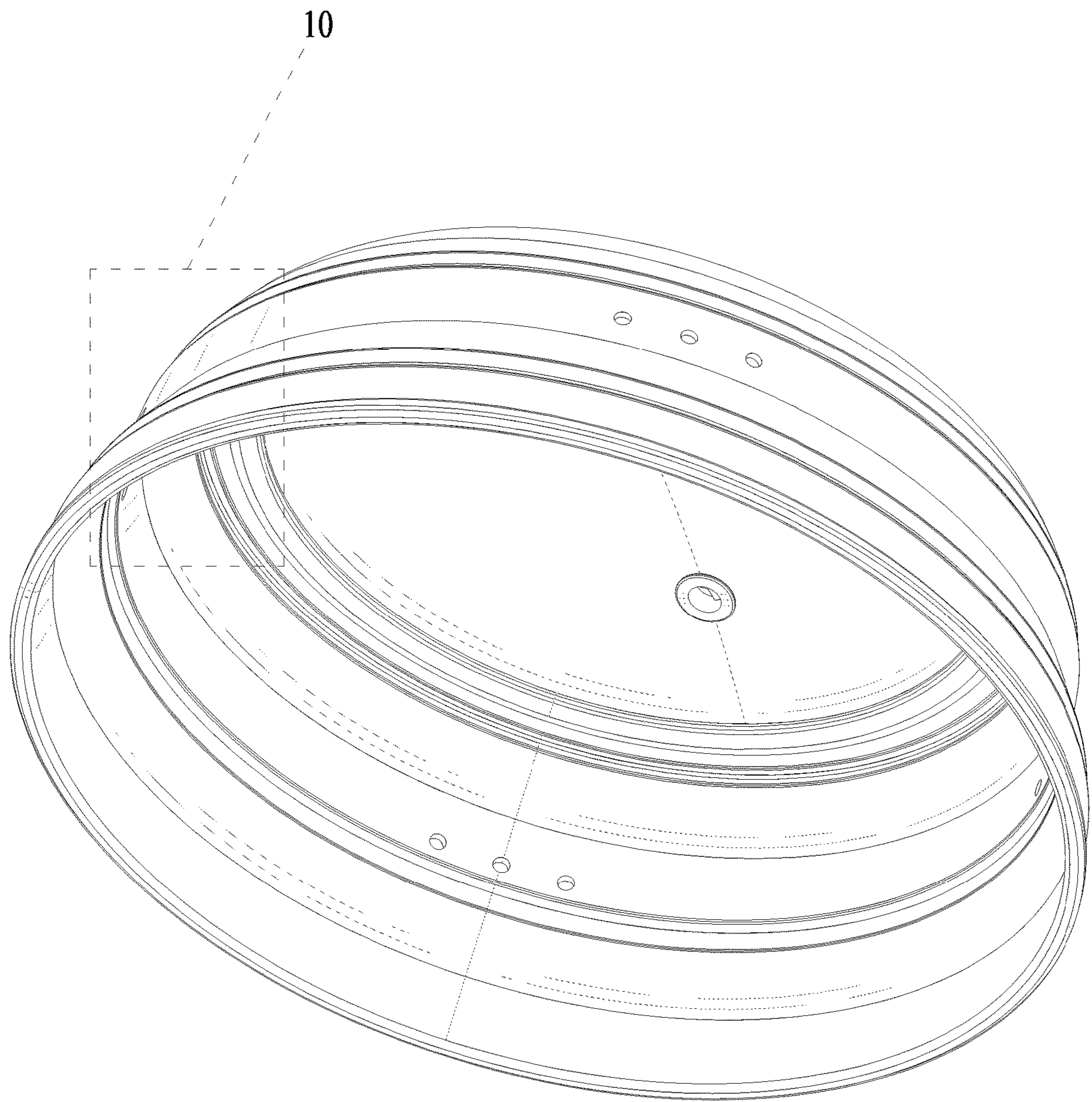


FIG. 2

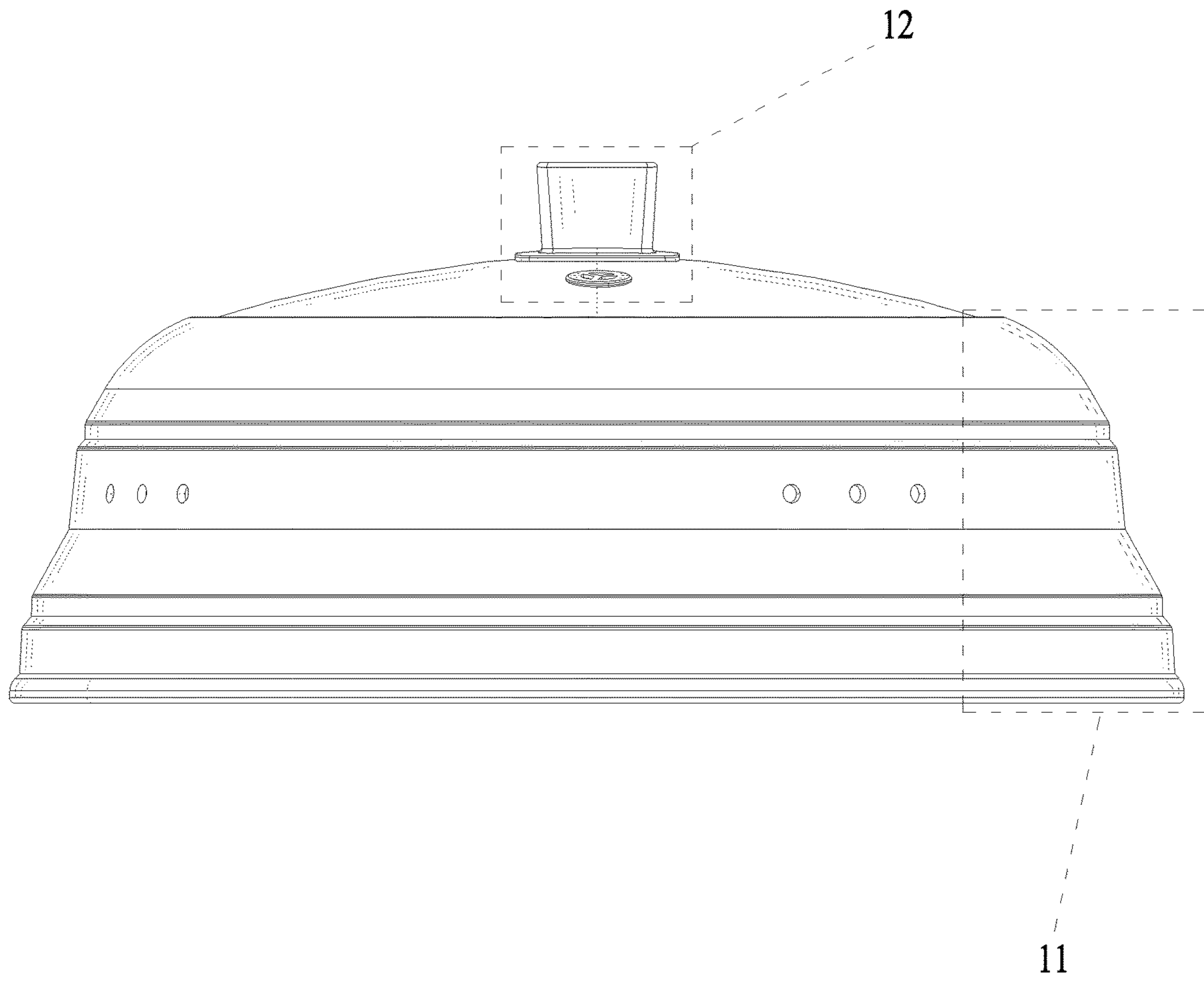


FIG. 3

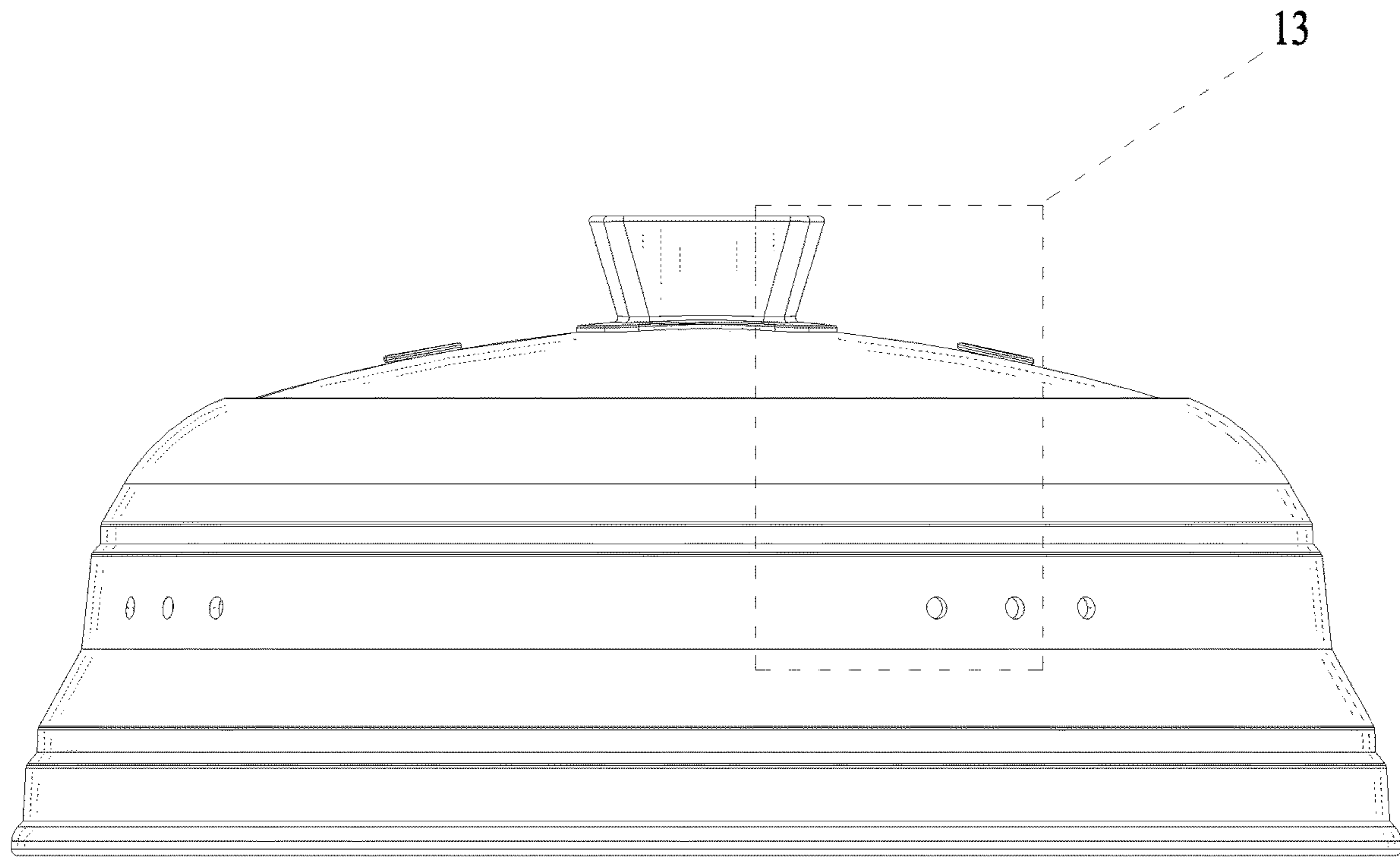


FIG. 4

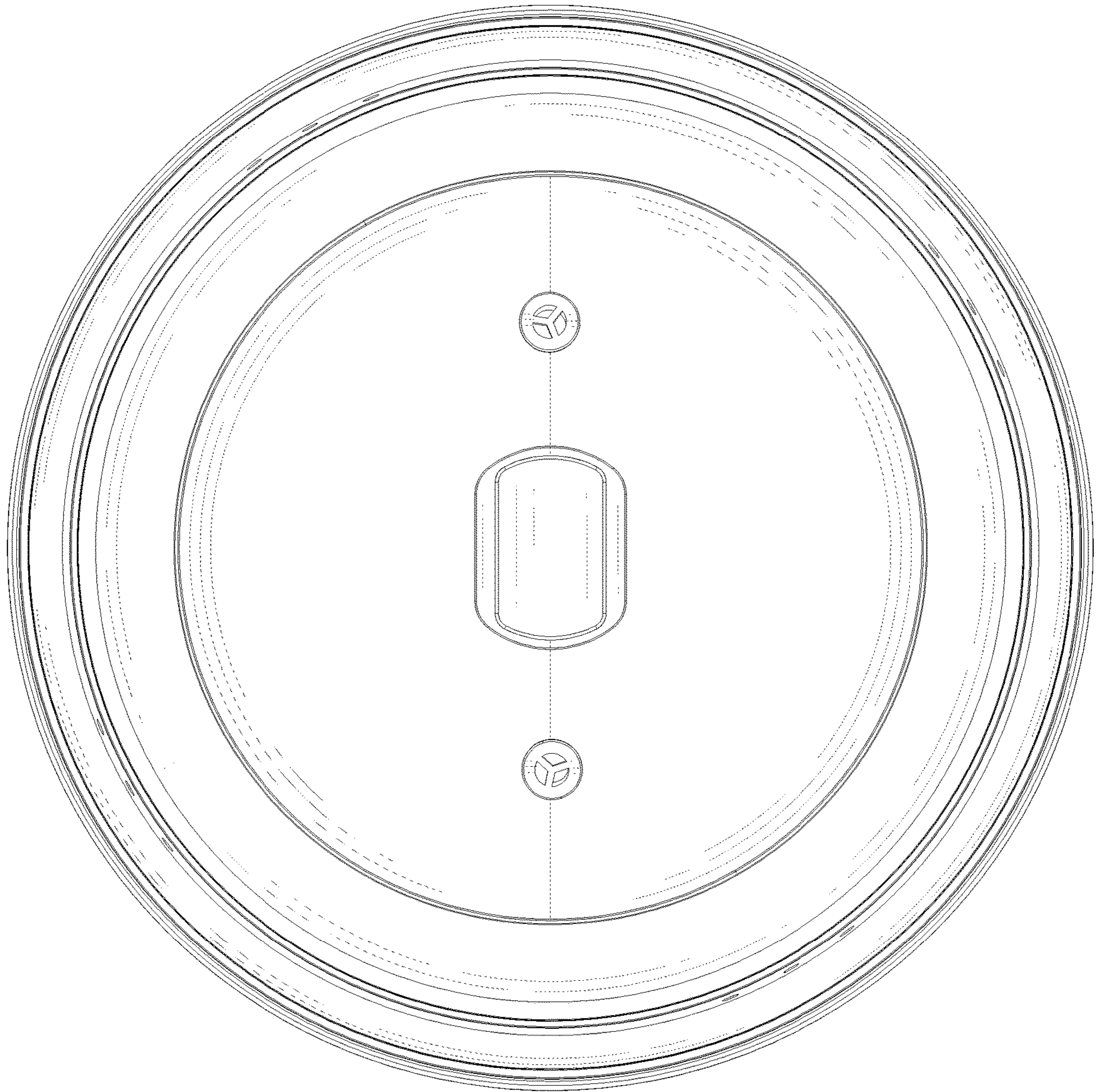


FIG. 5

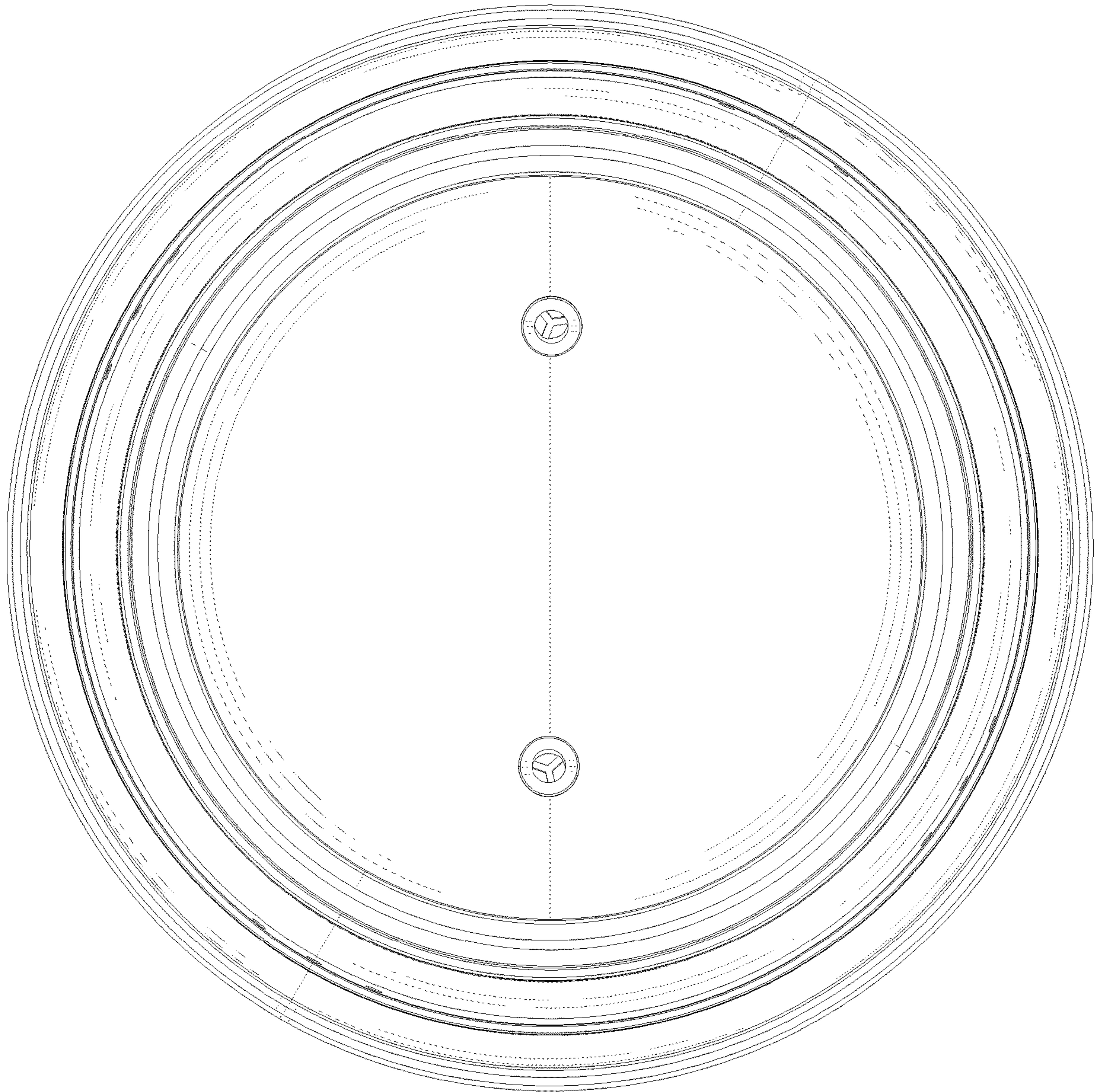


FIG. 6

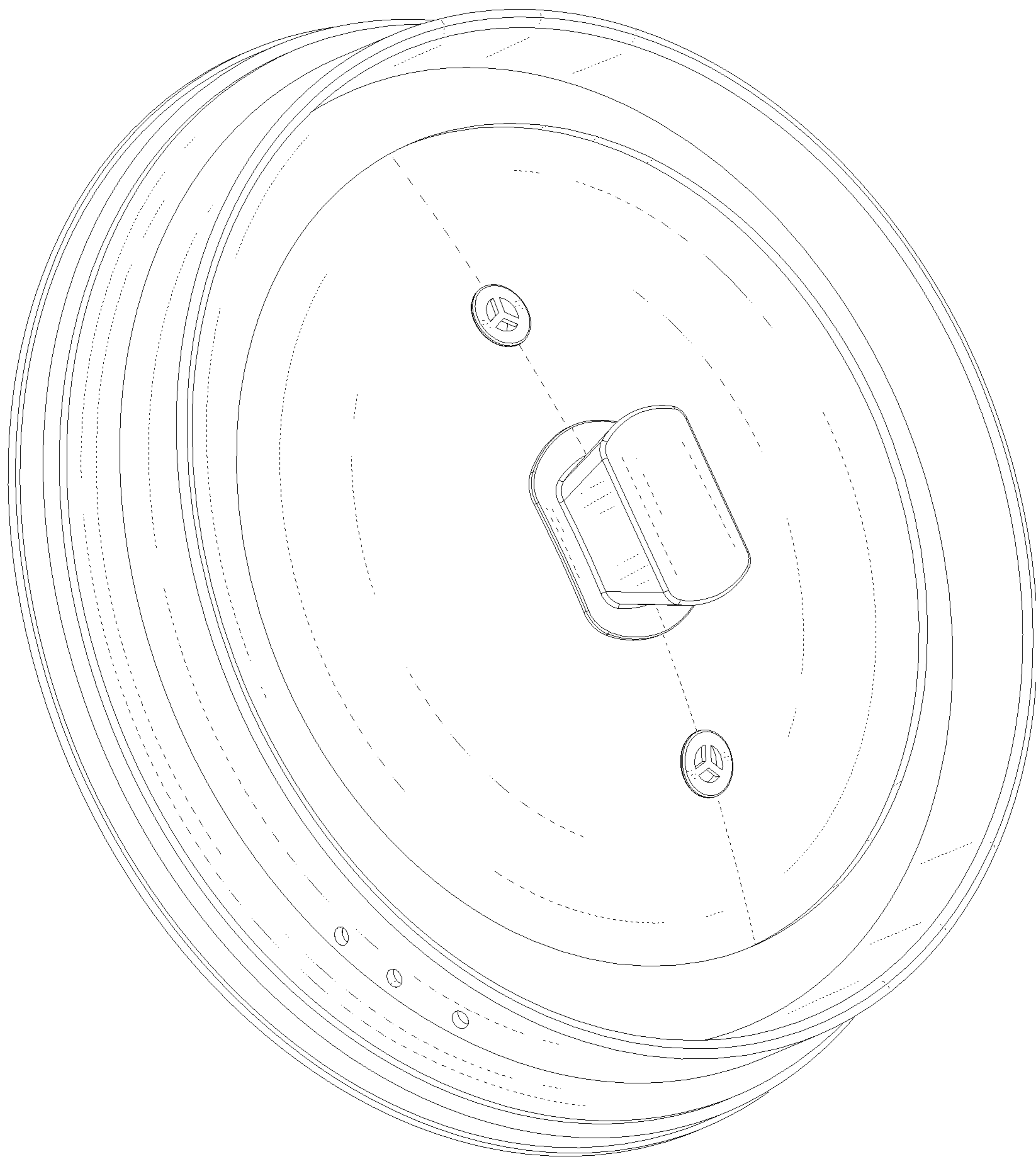


FIG. 7

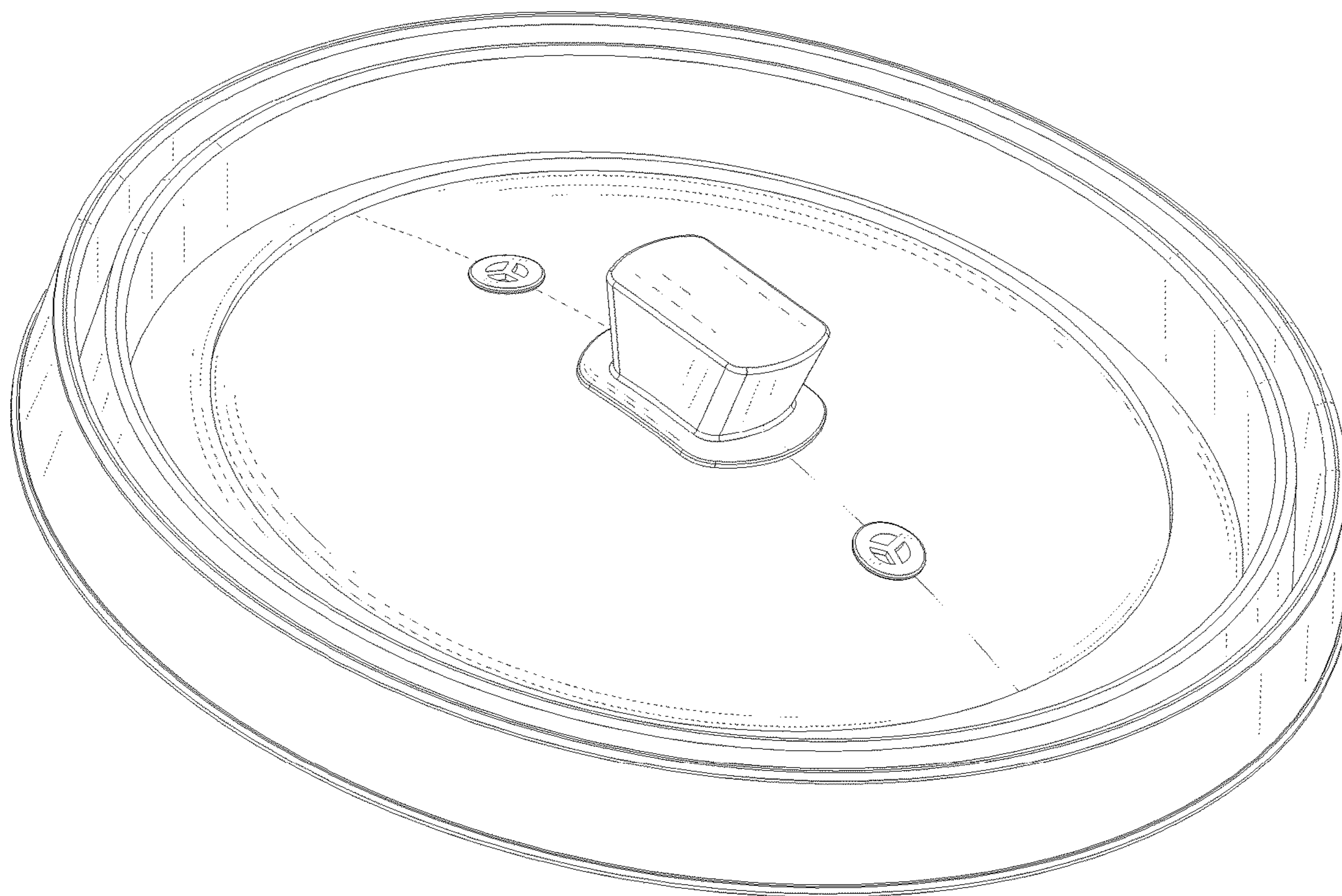


FIG. 8

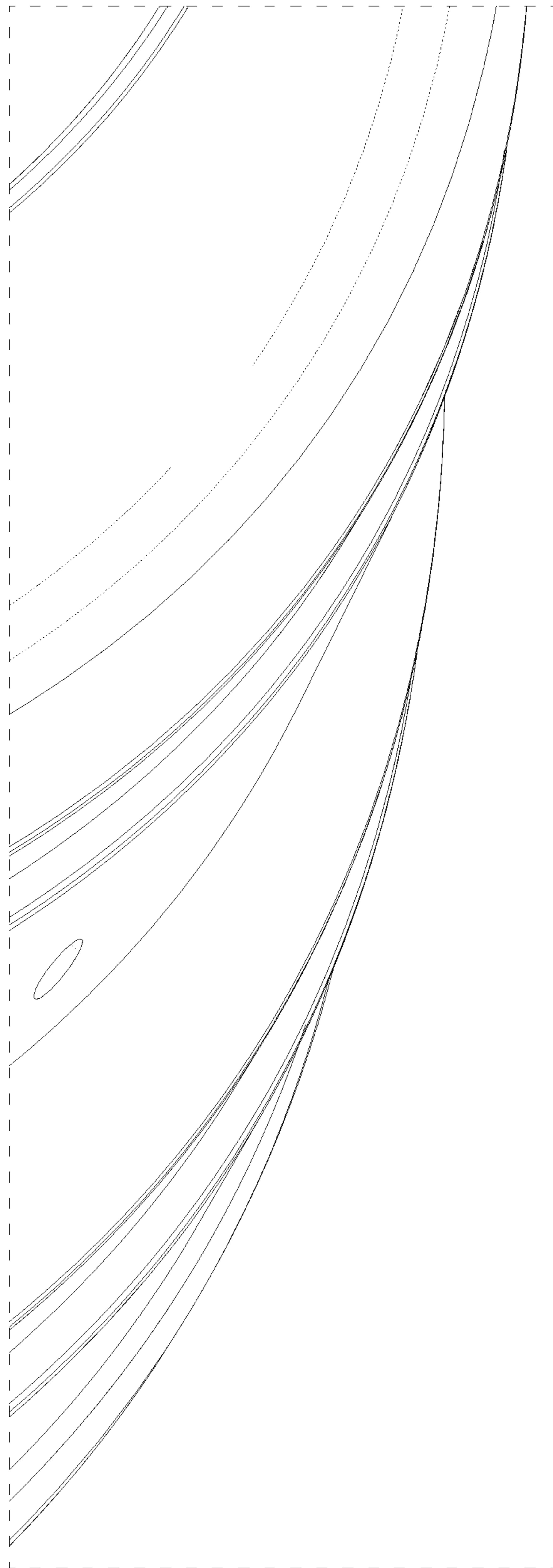


FIG. 9

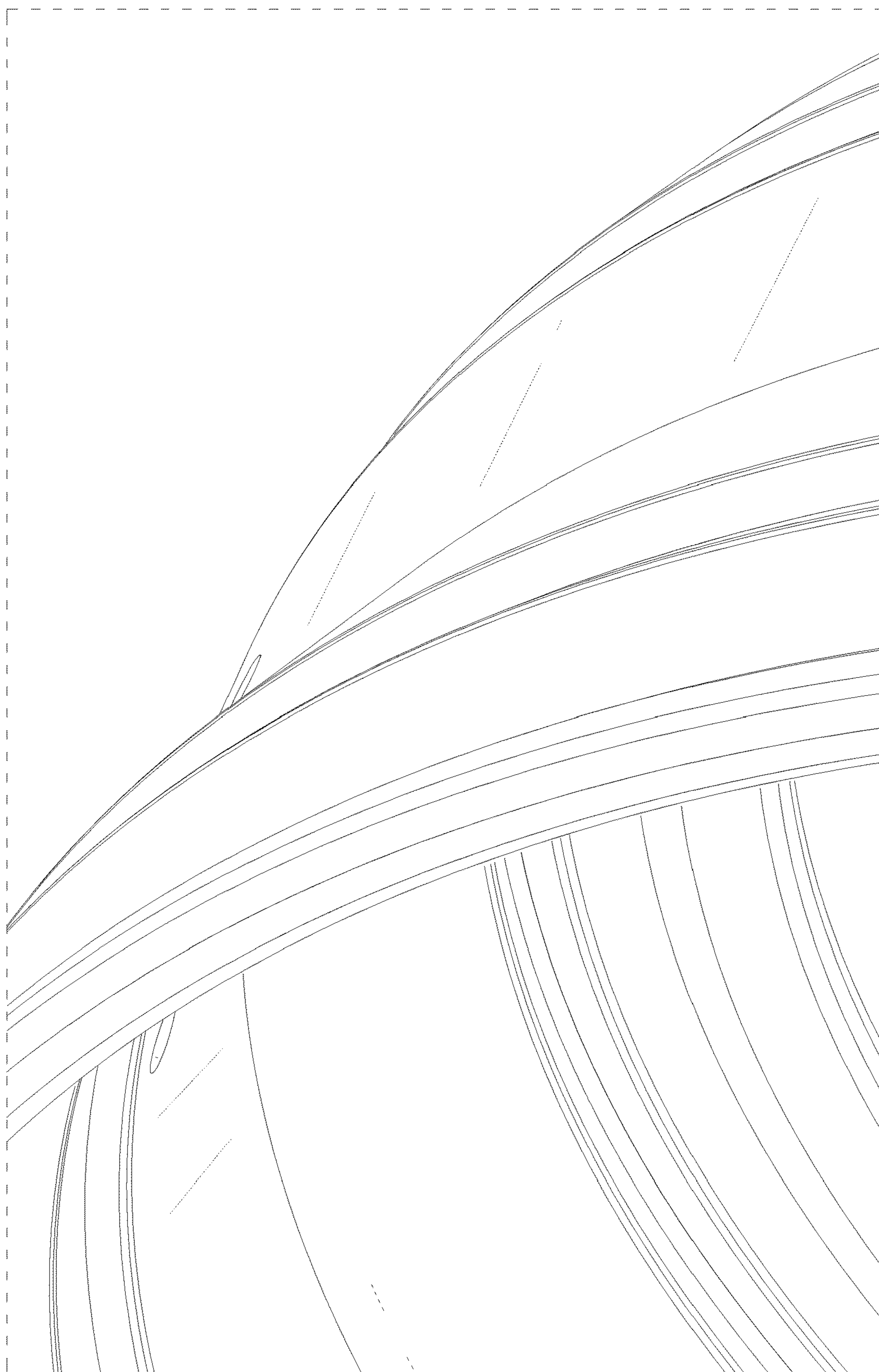


FIG. 10

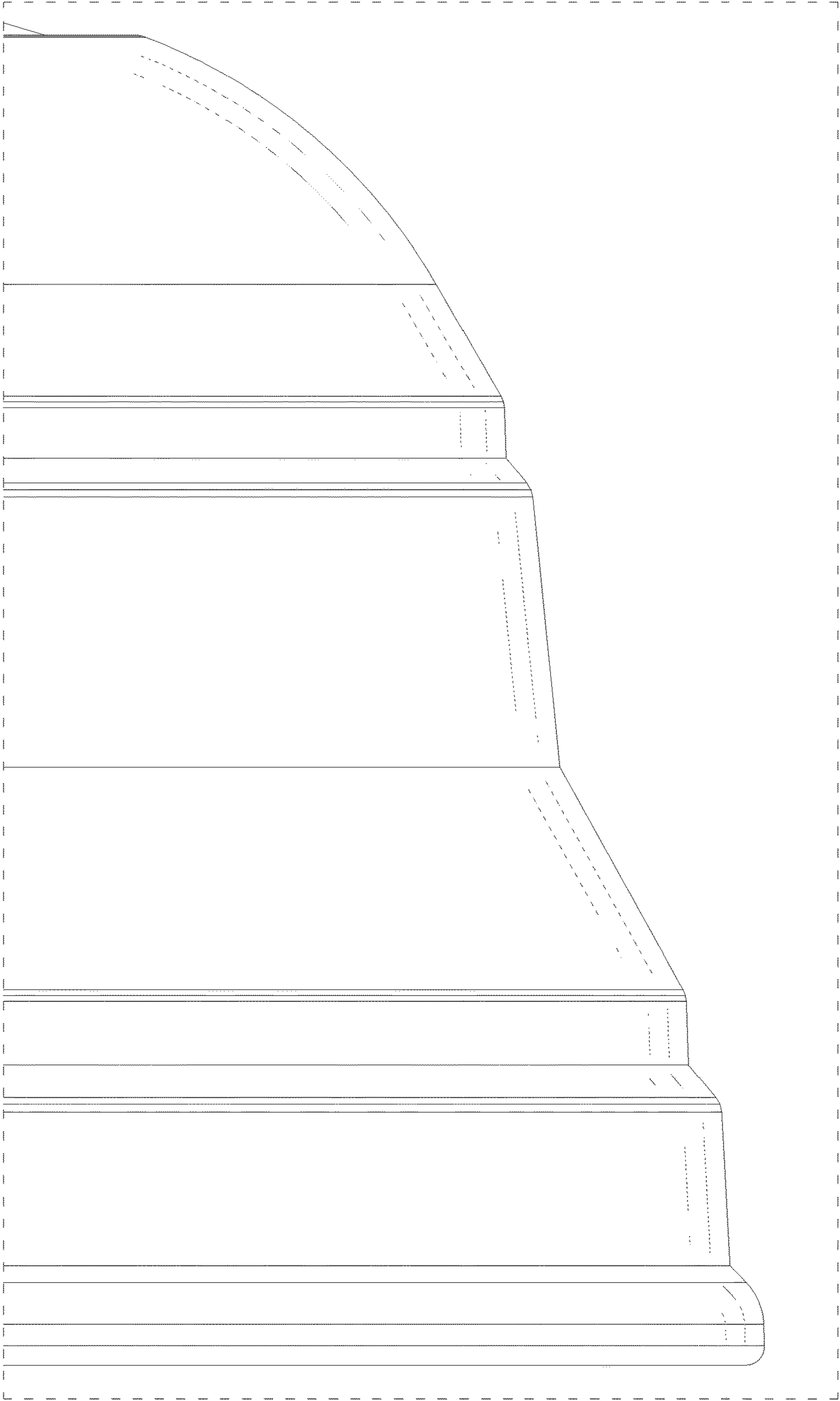


FIG. 11

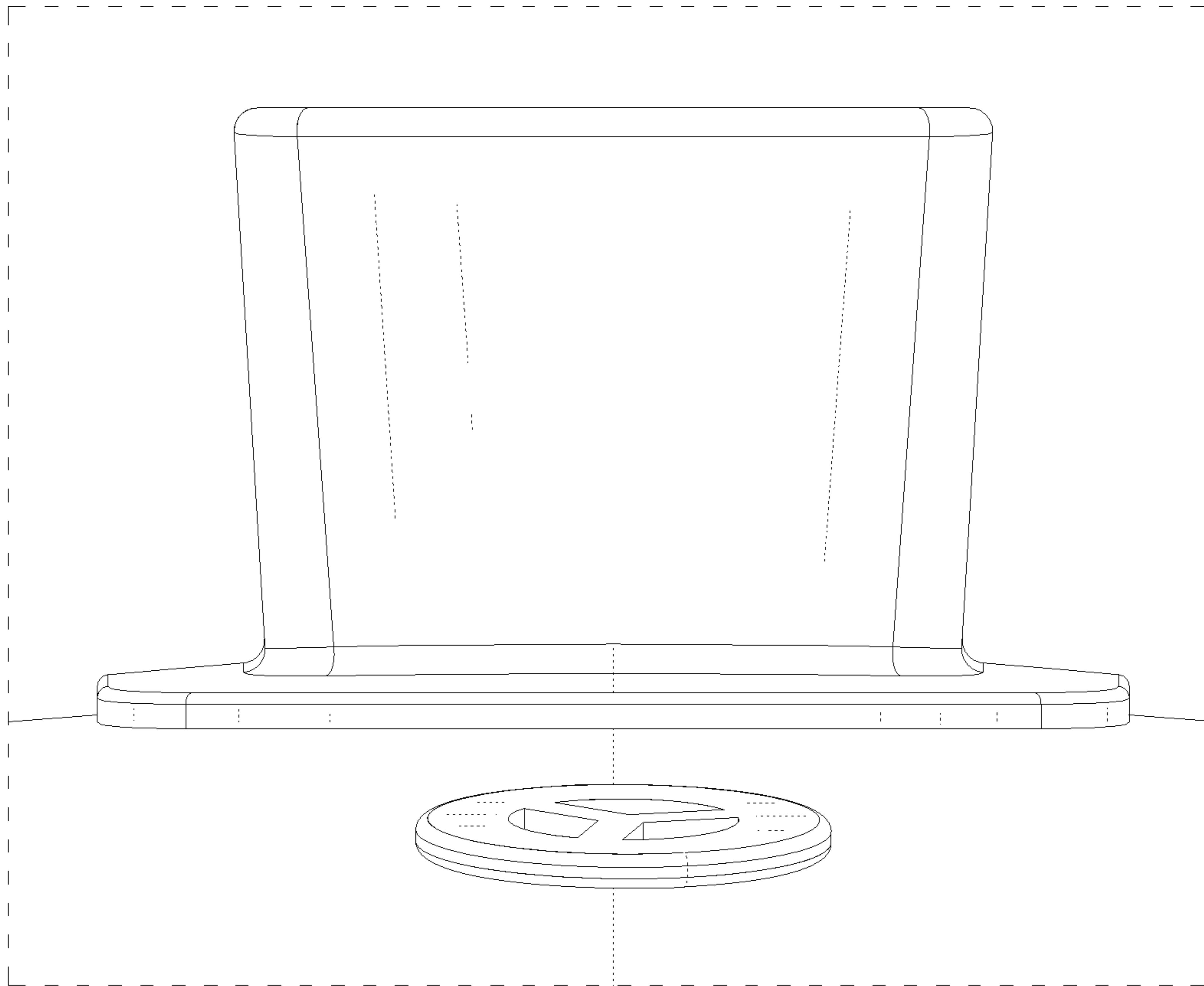


FIG. 12

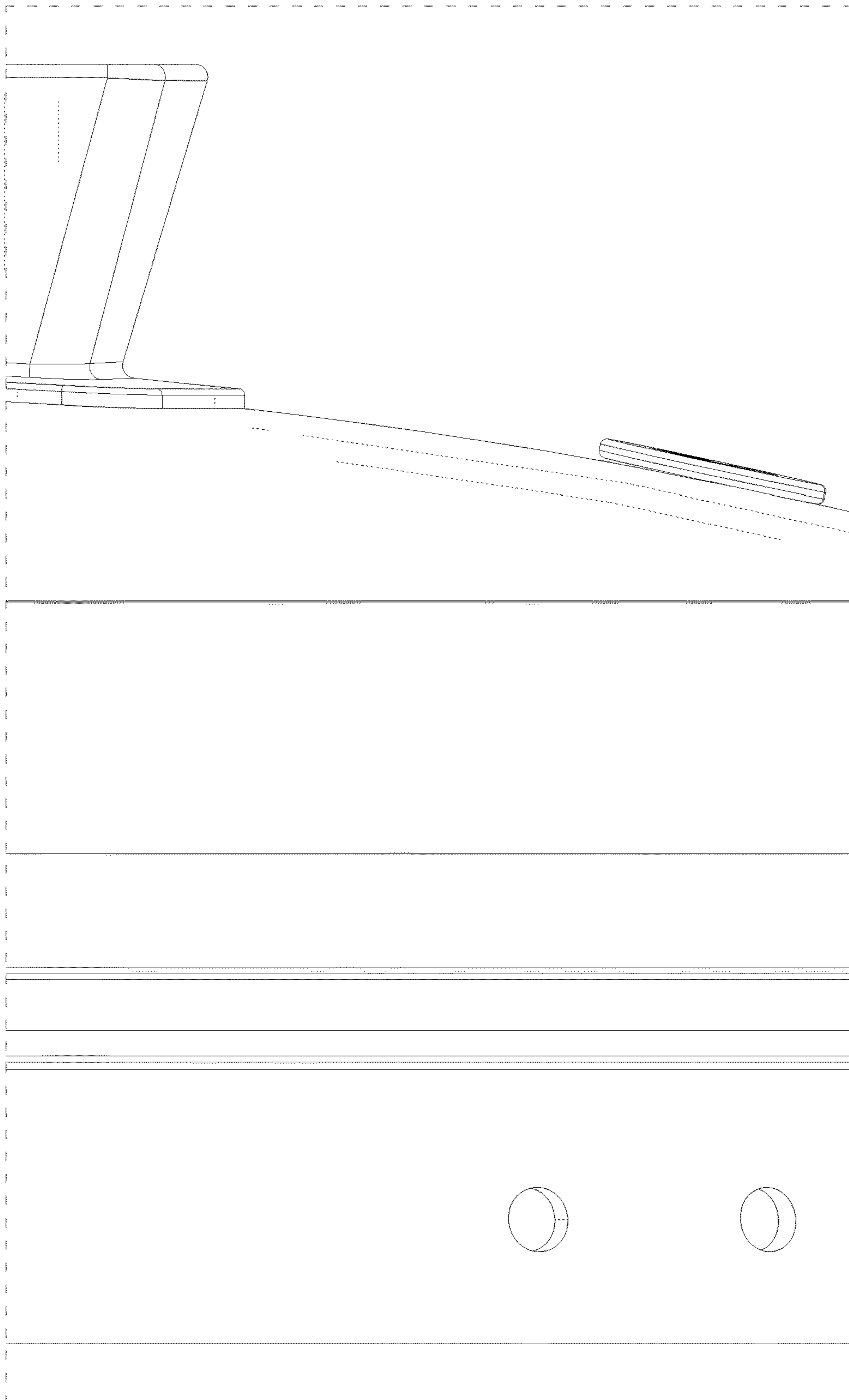


FIG. 13