



US00D985998S

(12) **United States Design Patent** (10) **Patent No.:** **US D985,998 S**  
**Sandoval** (45) **Date of Patent:** **\*\* May 16, 2023**

(54) **BAFFLE WITH ANTI-REVERSE STOPPERS**

FOREIGN PATENT DOCUMENTS

(71) Applicant: **Emerson Electric Co.**, St. Louis, MO (US)

WO 2019/191183 10/2019  
WO 2019/241505 12/2019

(72) Inventor: **Matthew Sandoval**, Waukesha, WI (US)

OTHER PUBLICATIONS

(73) Assignee: **INSINKERATOR LLC**, Benton Harbor, MI (US)

Becbas, "Becbas Element 7 Garbage Disposal, 1HP 2700RPM Household Feed Waste Disposer, with Power Cord," brochure (1996-2022) 10 pages.

(\*\*) Term: **15 Years**

*Primary Examiner* — Ricky Pham

(21) Appl. No.: **29/826,557**

(74) *Attorney, Agent, or Firm* — Amundsen Davis, LLC

(22) Filed: **Feb. 14, 2022**

(51) **LOC (14) Cl.** ..... **31-00**

(57) **CLAIM**

The ornamental design for a baffle with anti-reverse stoppers, as shown and described.

(52) **U.S. Cl.**  
USPC ..... **D7/375; D7/376; D7/378; D7/387; D7/412**

**DESCRIPTION**

(58) **Field of Classification Search**  
USPC ..... D7/372, 375–386, 392.1, 401.2, 412, D7/665–666, 669, 678–679, 693–694  
CPC ..... A01F 2015/07; A01F 2015/077; A01F 2015/0775; A23N 1/00; A23N 1/02; A47J 19/00; A47J 19/005; A47J 19/02; A47J 19/025; A47J 19/04; A47J 19/06; A47J 42/32; A47J 42/34; A47J 42/36; A47J 43/044; A47J 43/0722; A47J 43/25; A47J 43/255; B01F 7/26; B01F 7/28; B01F 11/0082; B01F 13/04; B01F 33/86; B02C 13/00; B02C 13/02; B02C 13/10; B02C 18/06; B02C 18/12; B02C 18/26; B02C 18/2291; B02C 18/30; B02C 18/301; B02C

FIG. 1 is a front perspective view of the baffle with anti-reverse stoppers;  
FIG. 2 is a top plan view of the baffle with anti-reverse stoppers;  
FIG. 3 is a bottom plan view of the baffle with anti-reverse stoppers;  
FIG. 4 is a right side elevational view of the baffle with anti-reverse stoppers;  
FIG. 5 is a left side elevational view of the baffle with anti-reverse stoppers;  
FIG. 6 is a front elevational view of the baffle with anti-reverse stoppers;  
FIG. 7 is a rear elevational view of the baffle with anti-reverse stoppers;  
FIG. 8 is a first cross-section view of the right side of the baffle with anti-reverse stoppers, taken along line 8-8 of FIG. 2; the left side being a mirror image thereof; and,  
FIG. 9 is a second cross-section view of the right side of the baffle with anti-reverse stoppers, taken along line 9-9 of FIG. 2; the left side being a mirror image thereof.  
The broken lines shown in the drawings are for illustrative purposes only and form no part of the claimed design.

(Continued)

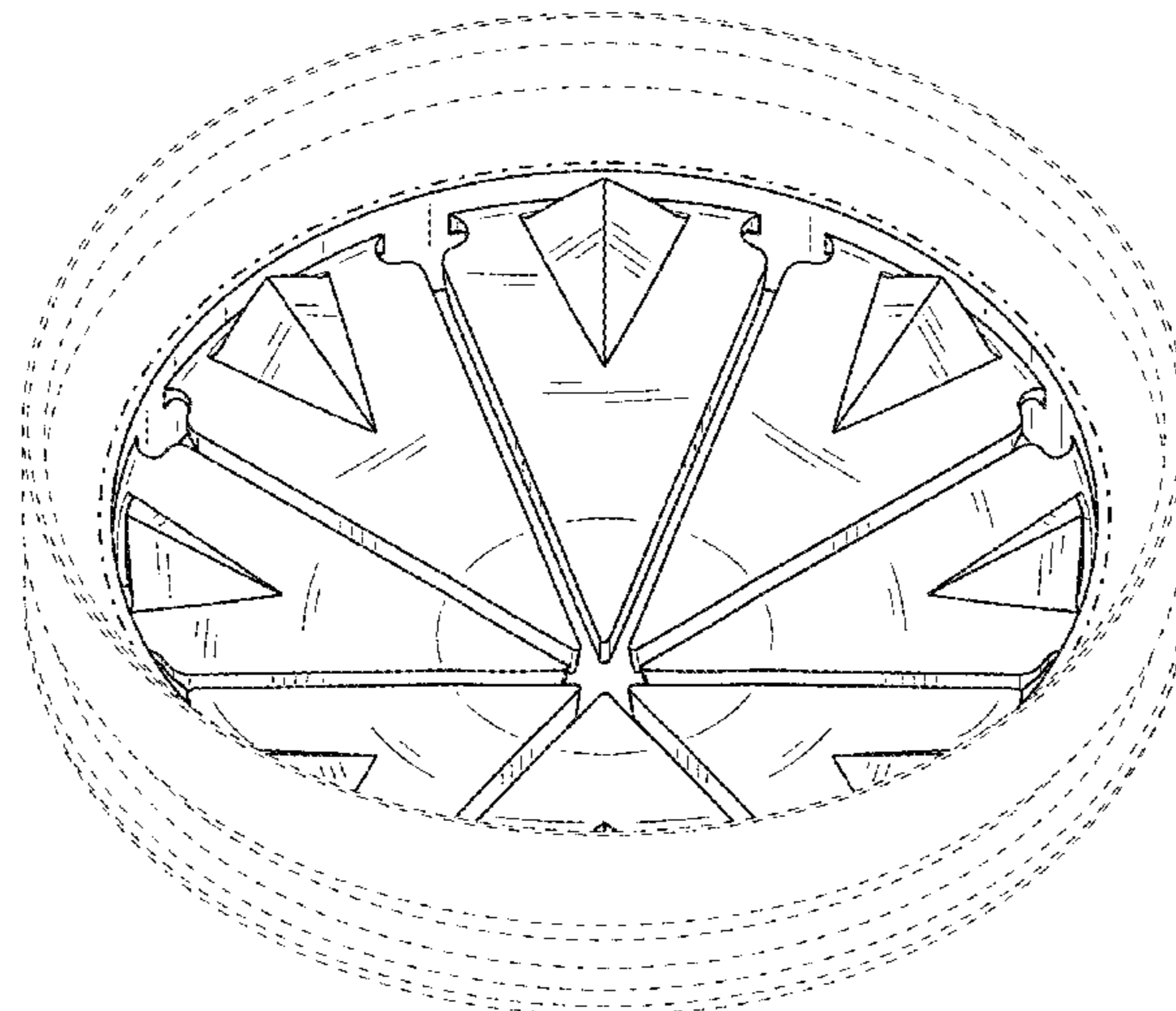
(56) **References Cited**

U.S. PATENT DOCUMENTS

2,793,373 A 5/1957 Ewing  
2,875,958 A 3/1959 Wieczorek

(Continued)

**1 Claim, 6 Drawing Sheets**



(58) **Field of Classification Search**  
 CPC ... 18/302; B02C 18/304; B02C 18/305; B02C  
 25/00; B02C 2002/00; B02C 2013/00;  
 B02C 2013/14; B02C 2013/145; B02C  
 2013/18; B02C 2013/1807; B02C  
 2013/1857; B02C 2013/1864; B02C  
 23/00; B30B 9/00; B30B 9/16; B30B  
 9/18; B30B 9/20; B30B 9/26; B30B  
 9/205; B30B 9/207; A01K 13/001; A01K  
 5/0291; E03C 1/2665; F16K 21/04; F16K  
 27/0209

See application file for complete search history.

(56) **References Cited**

U.S. PATENT DOCUMENTS

2,896,866 A 7/1959 Hyde  
 2,948,482 A 8/1960 Jordan  
 2,980,351 A \* 4/1961 Greene ..... E03C 1/2665  
 241/46.016  
 3,163,371 A 12/1964 Hardy  
 3,432,108 A \* 3/1969 Enright ..... B02C 23/00  
 241/46.016

3,524,596 A \* 8/1970 Smith ..... F16K 21/04  
 241/46.016  
 6,719,228 B2 4/2004 Berger et al.  
 D539,078 S \* 3/2007 Anderson ..... D7/375  
 7,264,188 B2 9/2007 Anderson et al.  
 7,650,855 B2 \* 1/2010 Krishnamurthy .... A01K 5/0291  
 119/51.11  
 7,967,225 B1 6/2011 Schulz  
 D665,953 S \* 8/2012 Leary ..... A01K 13/001  
 D30/158  
 8,408,418 B2 \* 4/2013 Kuzelka ..... B01F 33/86  
 220/780  
 D799,888 S \* 10/2017 McClory ..... D7/378  
 D799,889 S \* 10/2017 McClory ..... D7/378  
 D799,890 S \* 10/2017 McClory ..... D7/378  
 D871,832 S \* 1/2020 Marina ..... D9/437  
 10,960,402 B2 \* 3/2021 Bocchino ..... F16K 27/0209  
 11,306,467 B2 4/2022 Paweleck et al.  
 11,549,248 B2 \* 1/2023 Berger ..... B02C 18/12  
 2005/0242219 A1 11/2005 Hanson  
 2016/0076234 A1 3/2016 Hammer et al.  
 2020/0347584 A1 11/2020 Berger et al.  
 2021/0164208 A1 6/2021 McClory

\* cited by examiner

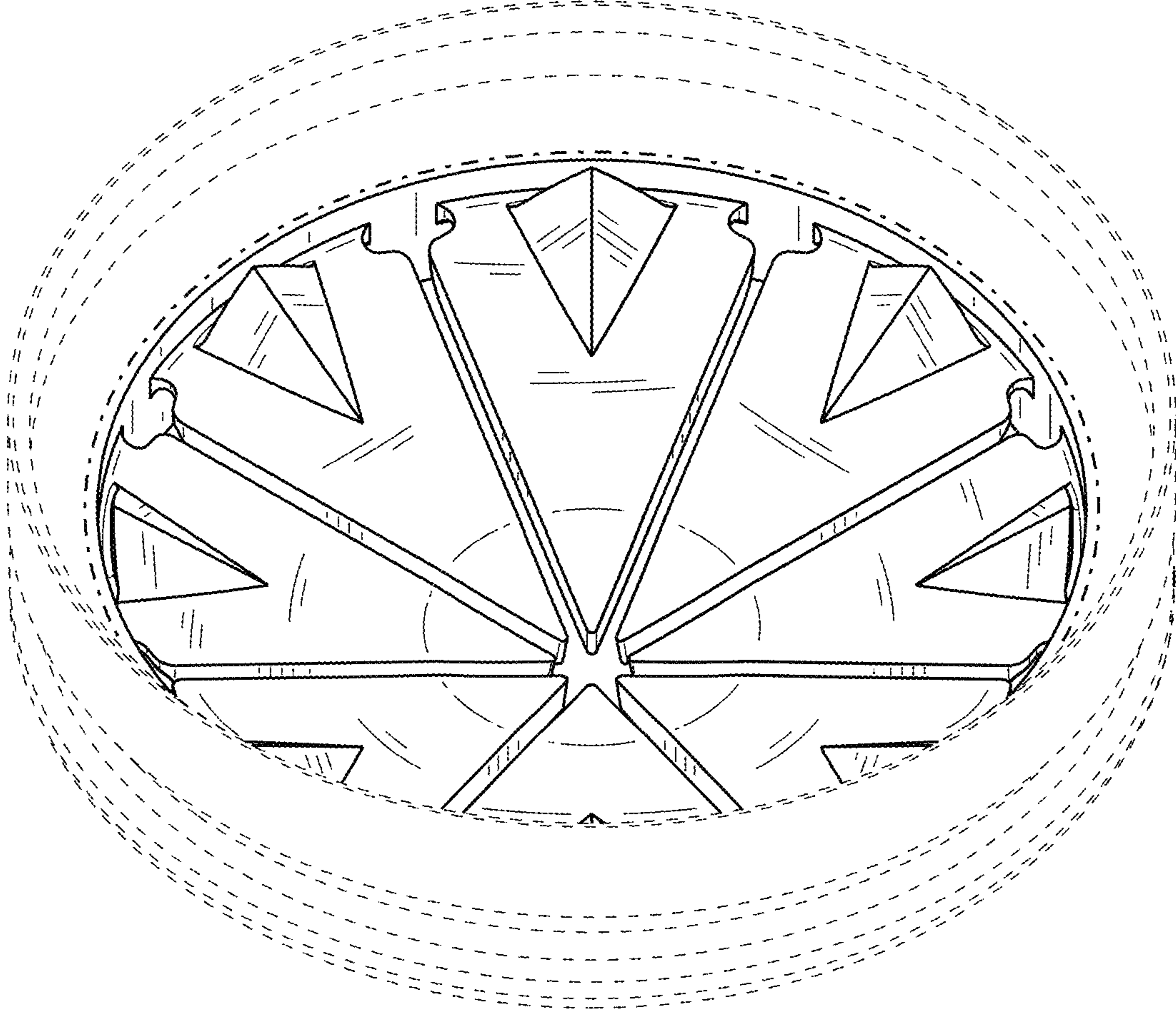


FIG. 1

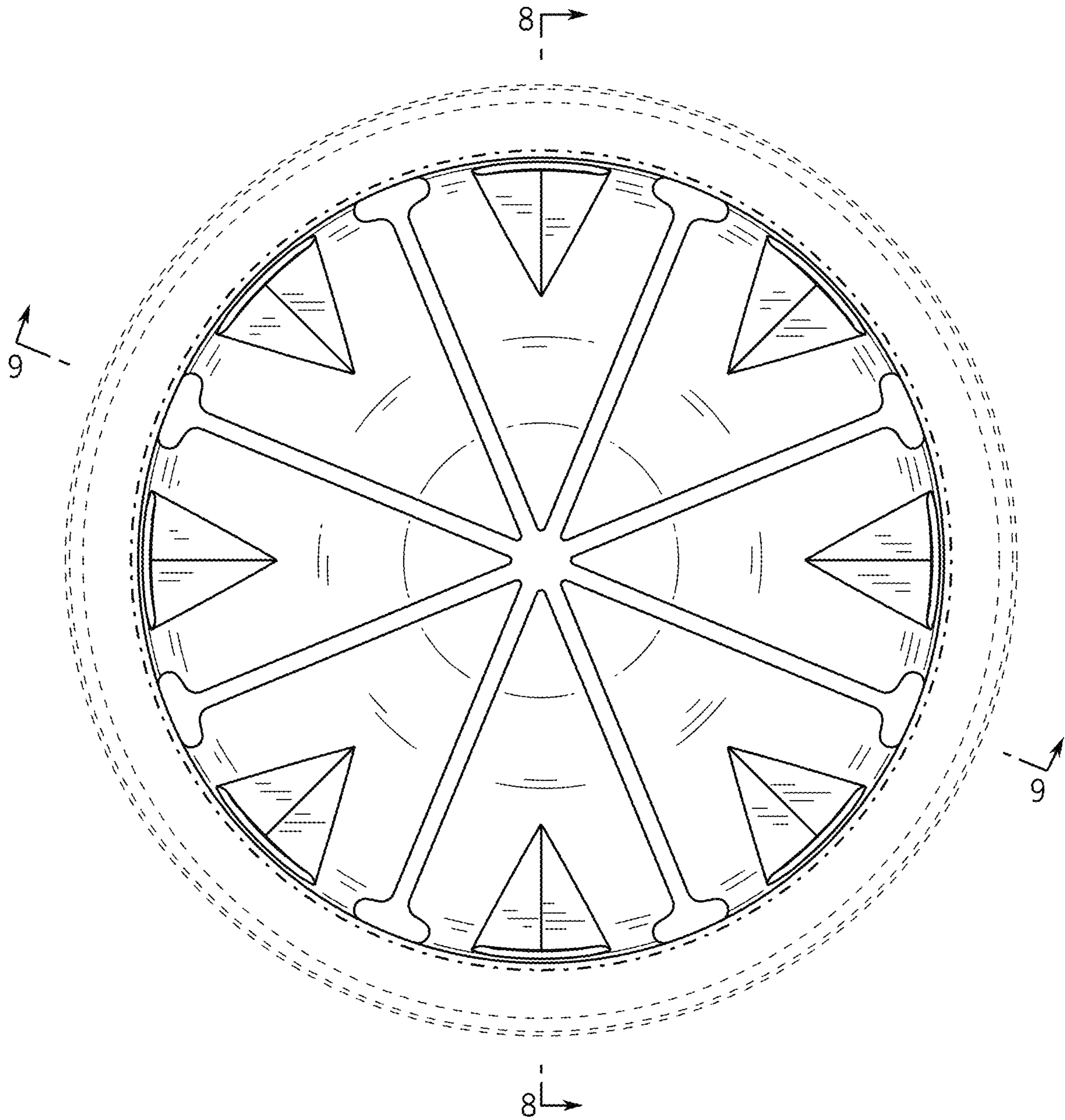


FIG. 2

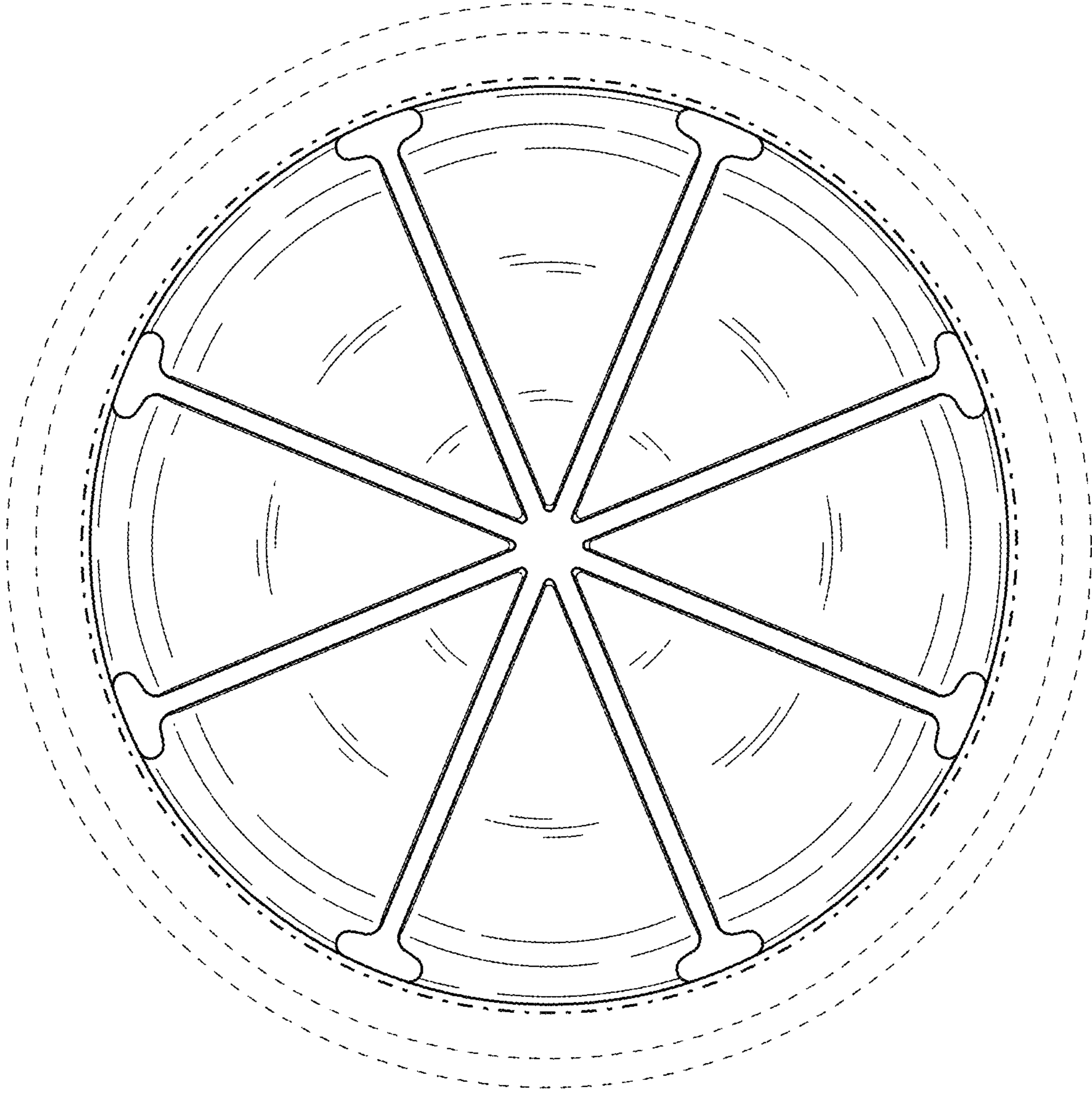


FIG. 3

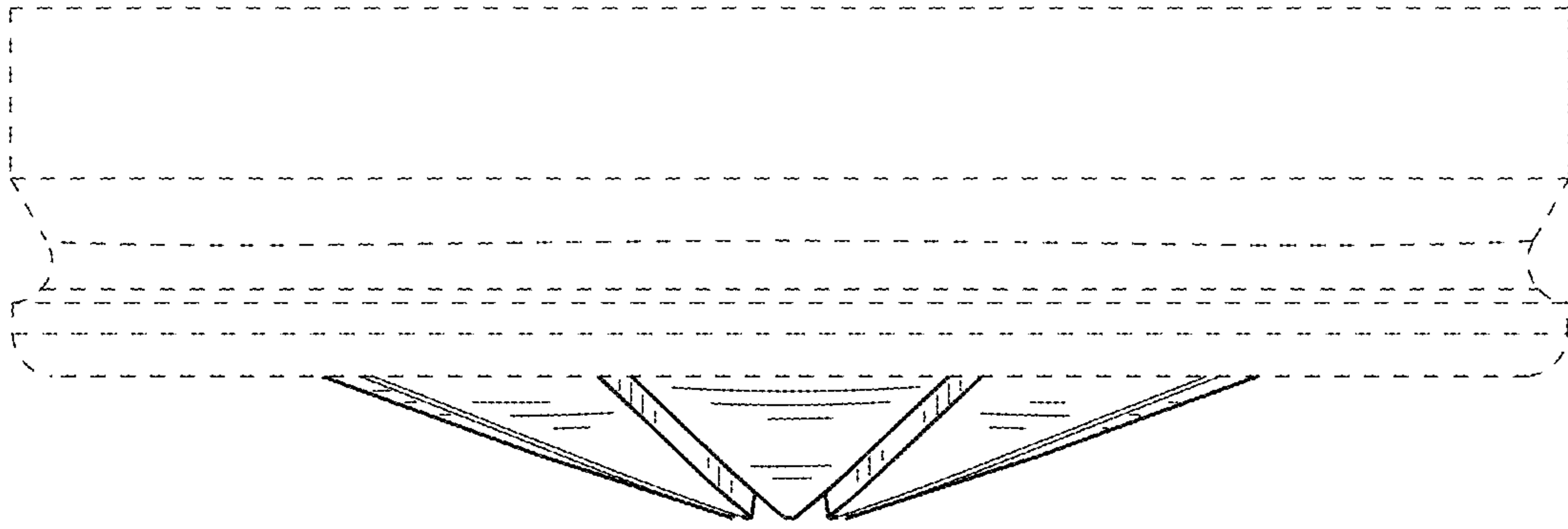


FIG. 4

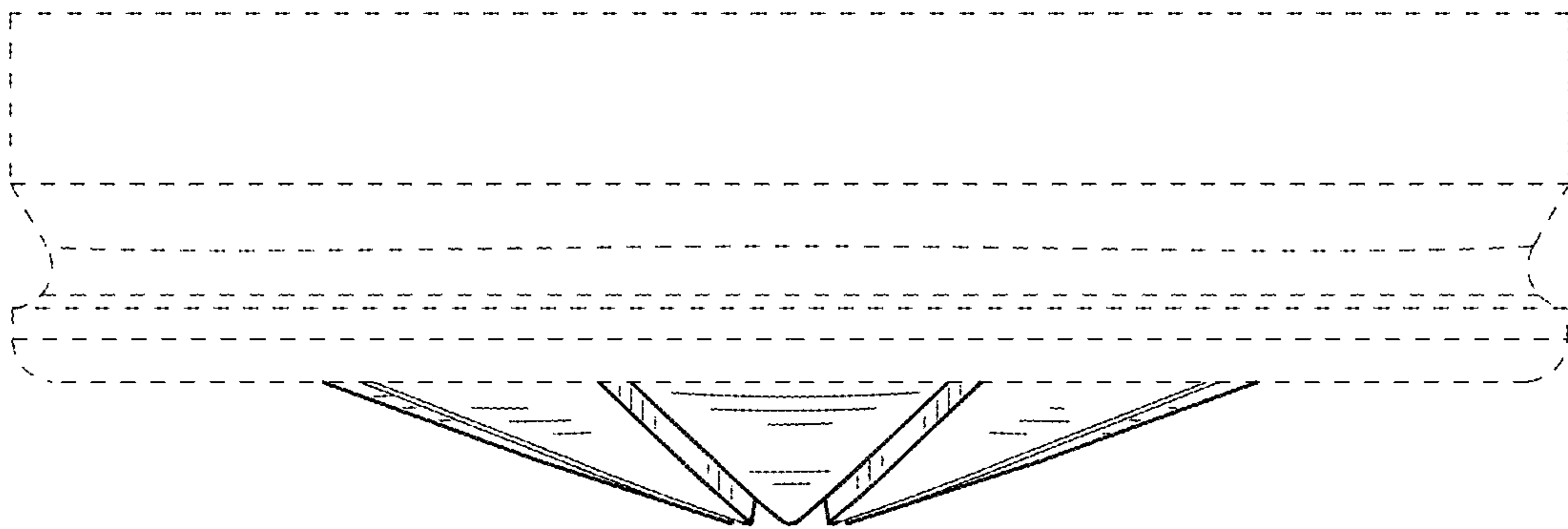


FIG. 5

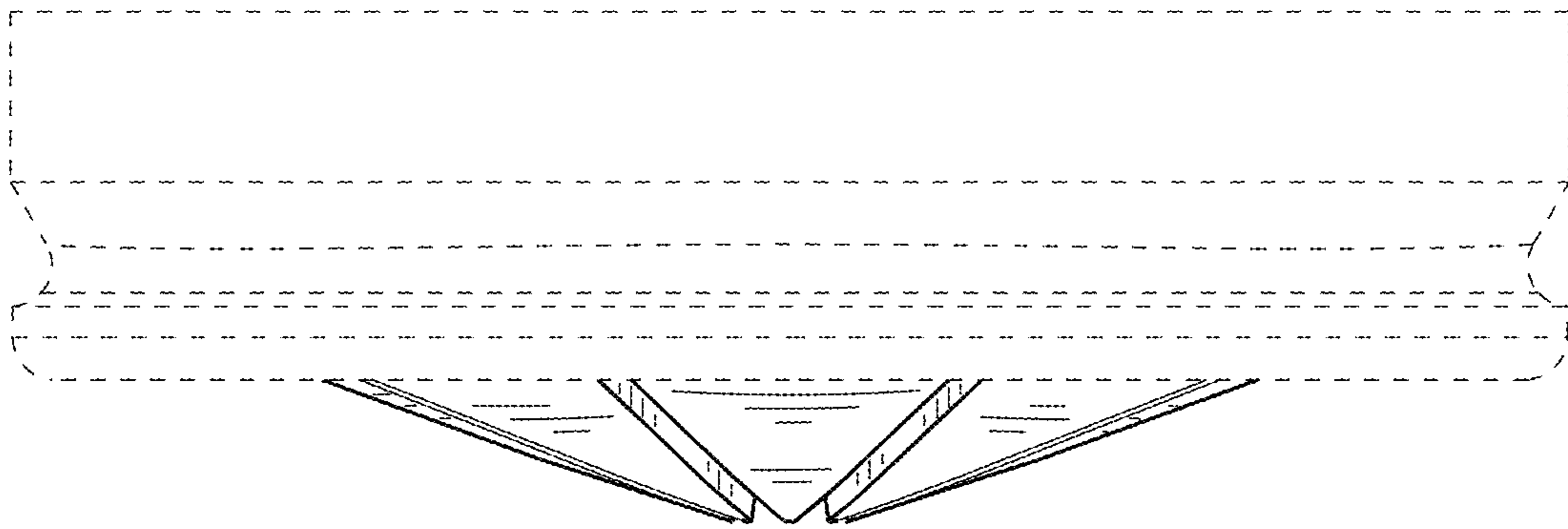


FIG. 6

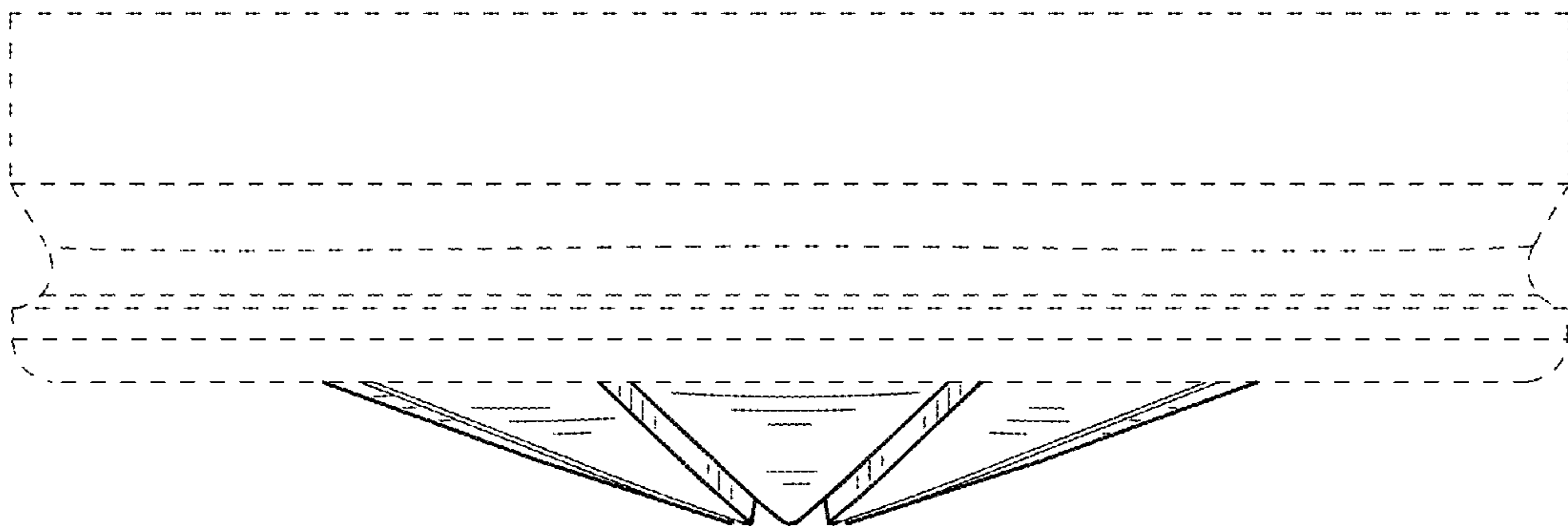


FIG. 7

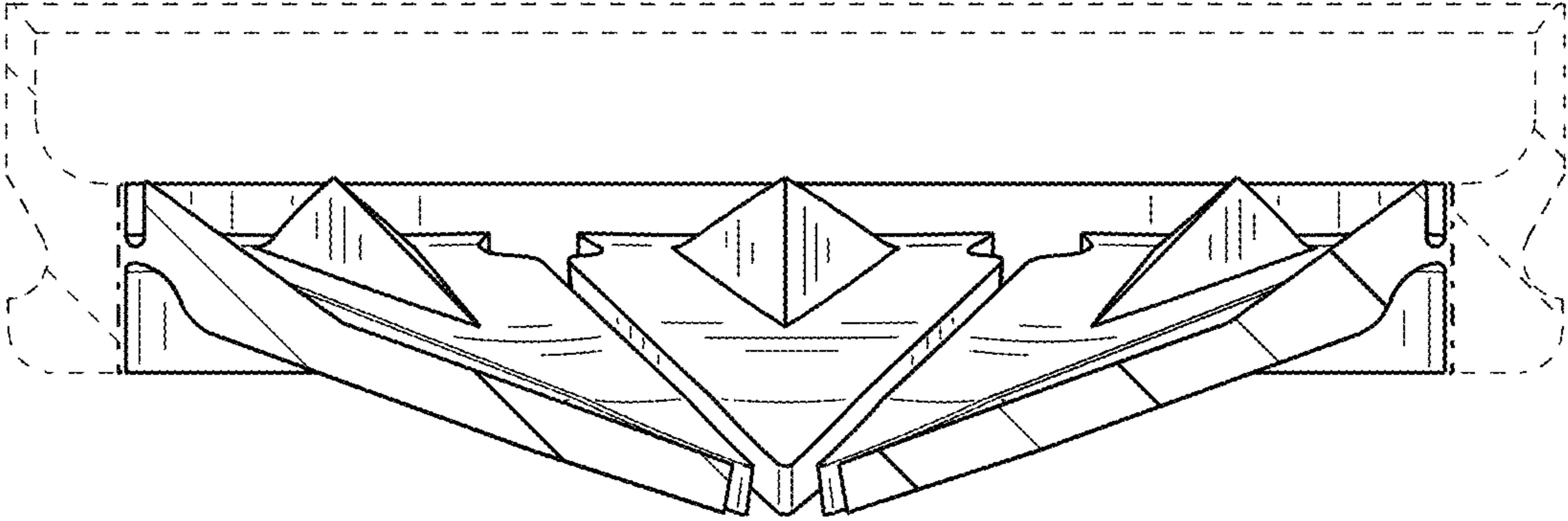


FIG. 8

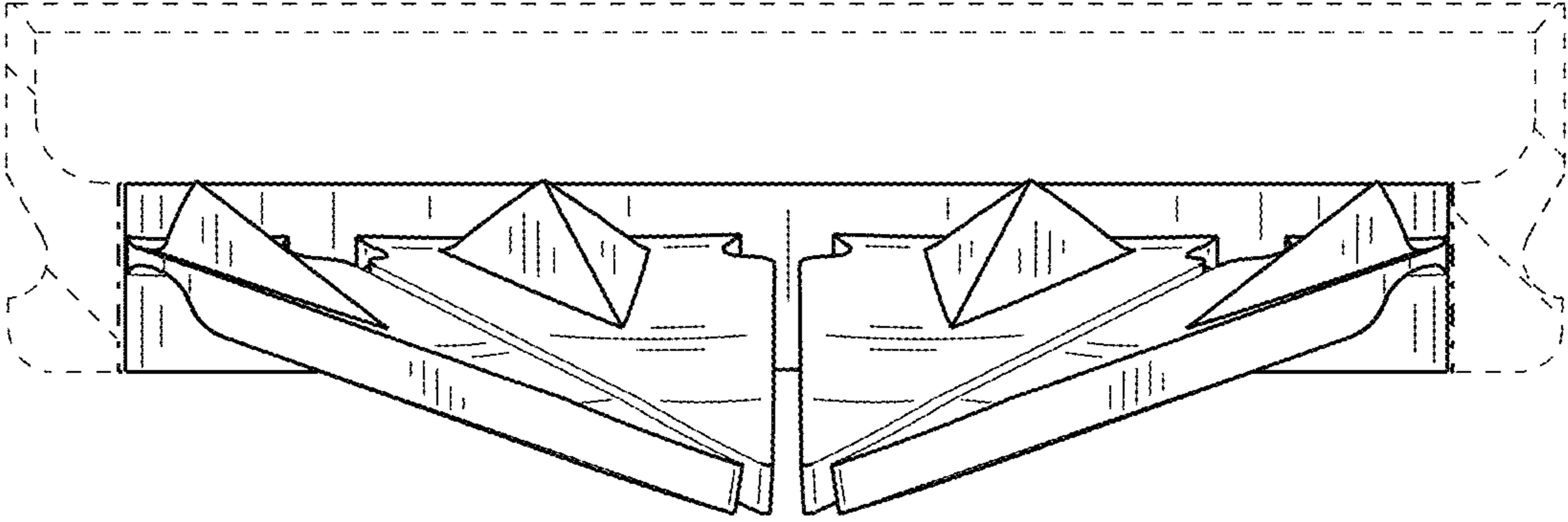


FIG. 9