



US00D985997S

(12) **United States Design Patent**
Zhang

(10) **Patent No.:** **US D985,997 S**

(45) **Date of Patent:** **** May 16, 2023**

(54) **AIR FRYER**

(71) Applicant: **Ningbo Careline Electric Appliance Co., LTD.**, Ningbo (CN)

(72) Inventor: **Yichi Zhang**, Ningbo (CN)

(73) Assignee: **NINGBO CARELINE ELECTRIC APPLIANCE CO., LTD.**, Ningbo (CN)

(**) Term: **15 Years**

(21) Appl. No.: **29/783,450**

(22) Filed: **May 13, 2021**

(30) **Foreign Application Priority Data**

Dec. 28, 2020 (CN) 202030807894.1

(51) **LOC (14) Cl.** **07-02**

(52) **U.S. Cl.**
USPC **D7/354**

(58) **Field of Classification Search**

USPC D7/323, 354-361

CPC A23L 1/01; A23L 1/0107; A23L 1/0114;

A47J 27/00; A47J 27/08; A47J 27/09;

A47J 27/092; A47J 36/025; A47J 36/06;

A47J 36/08; A47J 36/10; A47J 36/12;

A47J 36/18; A47J 36/20; A47J 36/22;

A47J 36/165; A47J 37/00; A47J 37/12;

A47J 37/129; A47J 37/1204; A47J

37/1209; A47J 37/1214; A47J 37/1219;

A47J 37/1266; A47J 37/1285; A47J

37/1295; G07F 17/0064; G07F 17/0078;

G07F 17/0085; H05B 6/02; H05B 6/06;

H05B 6/12

See application file for complete search history.

(56) **References Cited**

U.S. PATENT DOCUMENTS

D680,800	S	*	4/2013	Berge	D7/354
D848,199	S	*	5/2019	Kowalewski	D7/354
D874,867	S	*	2/2020	Varjabedian	D7/354
D968,156	S	*	11/2022	Zhang	D7/354
2017/0231430	A1	*	8/2017	Moon	A47J 37/1266 99/331

OTHER PUBLICATIONS

Philips Avance Collection XXL Digital Twin TurboStar Airfryer. Date First Available on Amazon.com Aug. 20, 2018. <https://www.amazon.com/dp/B07GNT37SS/ref> (Year: 2018).*

* cited by examiner

Primary Examiner — Ricky Pham

(74) *Attorney, Agent, or Firm* — Dinsmore & Shohl LLP

(57) **CLAIM**

I claim the ornamental design for an air fryer, as shown and described.

DESCRIPTION

FIG. 1 is a front, right and top side perspective view of an air fryer showing my new design;

FIG. 2 is a rear, left and bottom side perspective view thereof;

FIG. 3 is a front elevation view thereof;

FIG. 4 is a rear elevation view thereof;

FIG. 5 is a left side elevation view thereof;

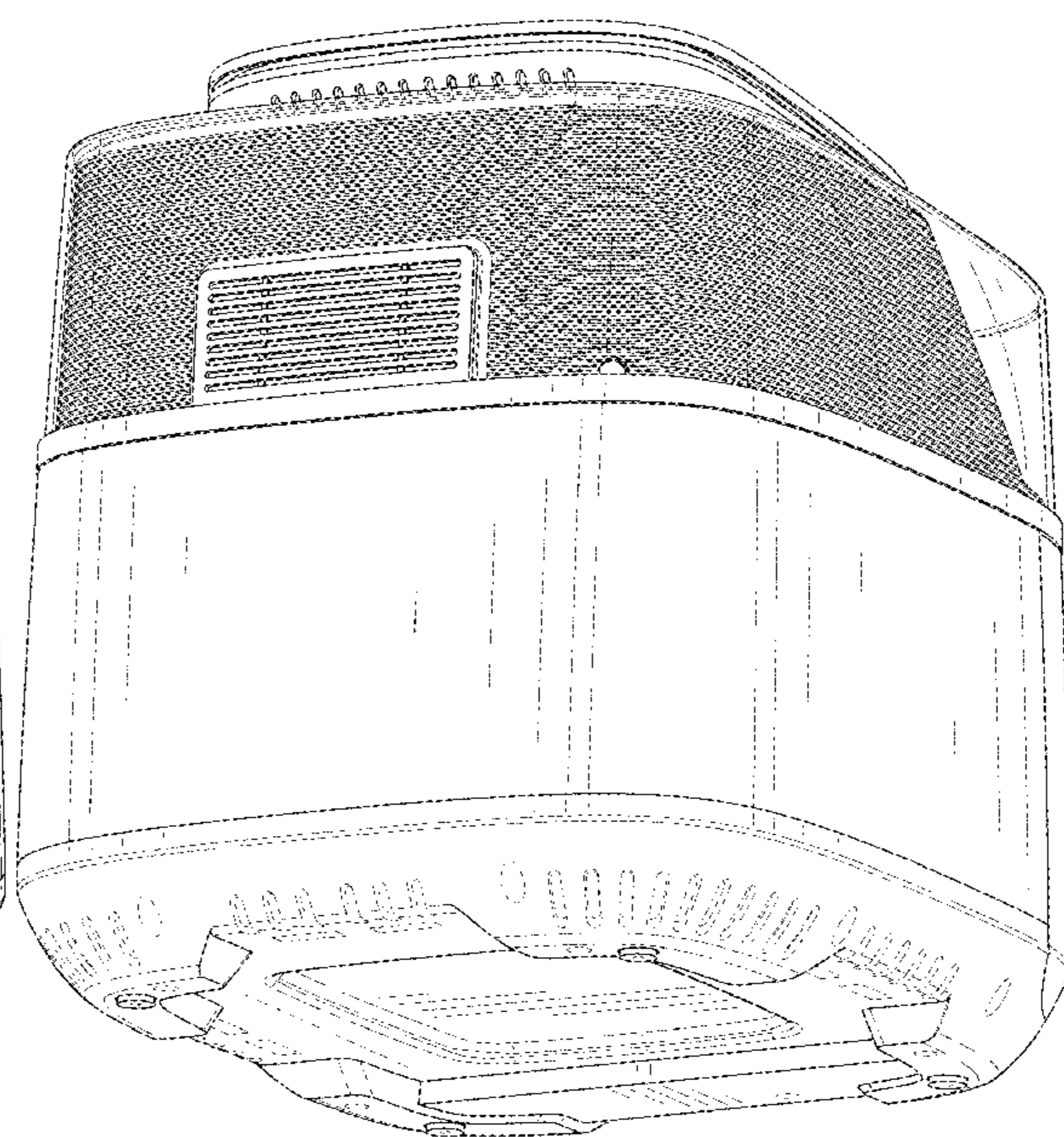
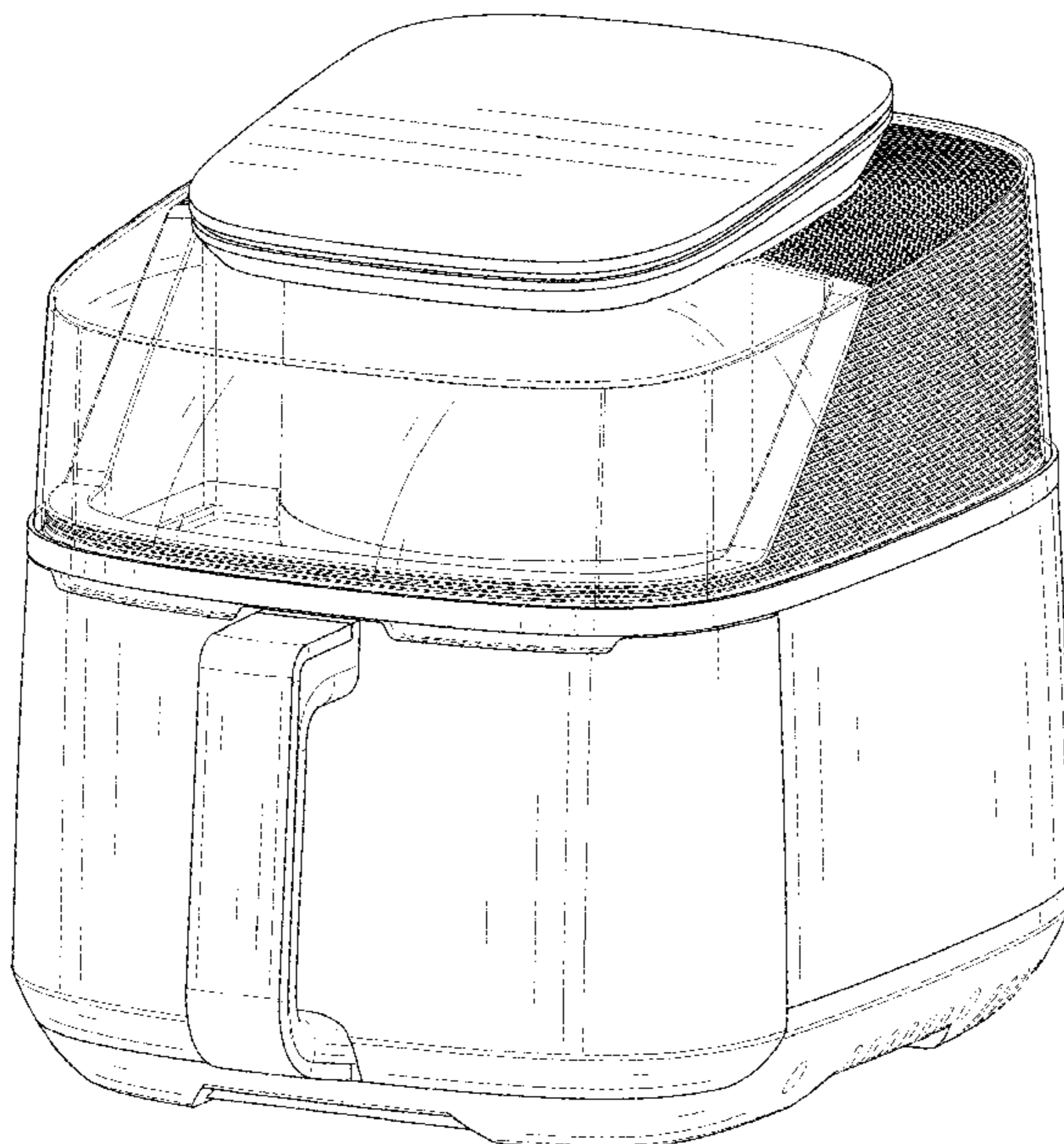
FIG. 6 is a right side elevation view thereof;

FIG. 7 is a top plan view thereof; and,

FIG. 8 is a bottom plan view thereof.

The broken lines shown in the drawings represent portions of the air fryer that form no part of the claimed design.

1 Claim, 8 Drawing Sheets



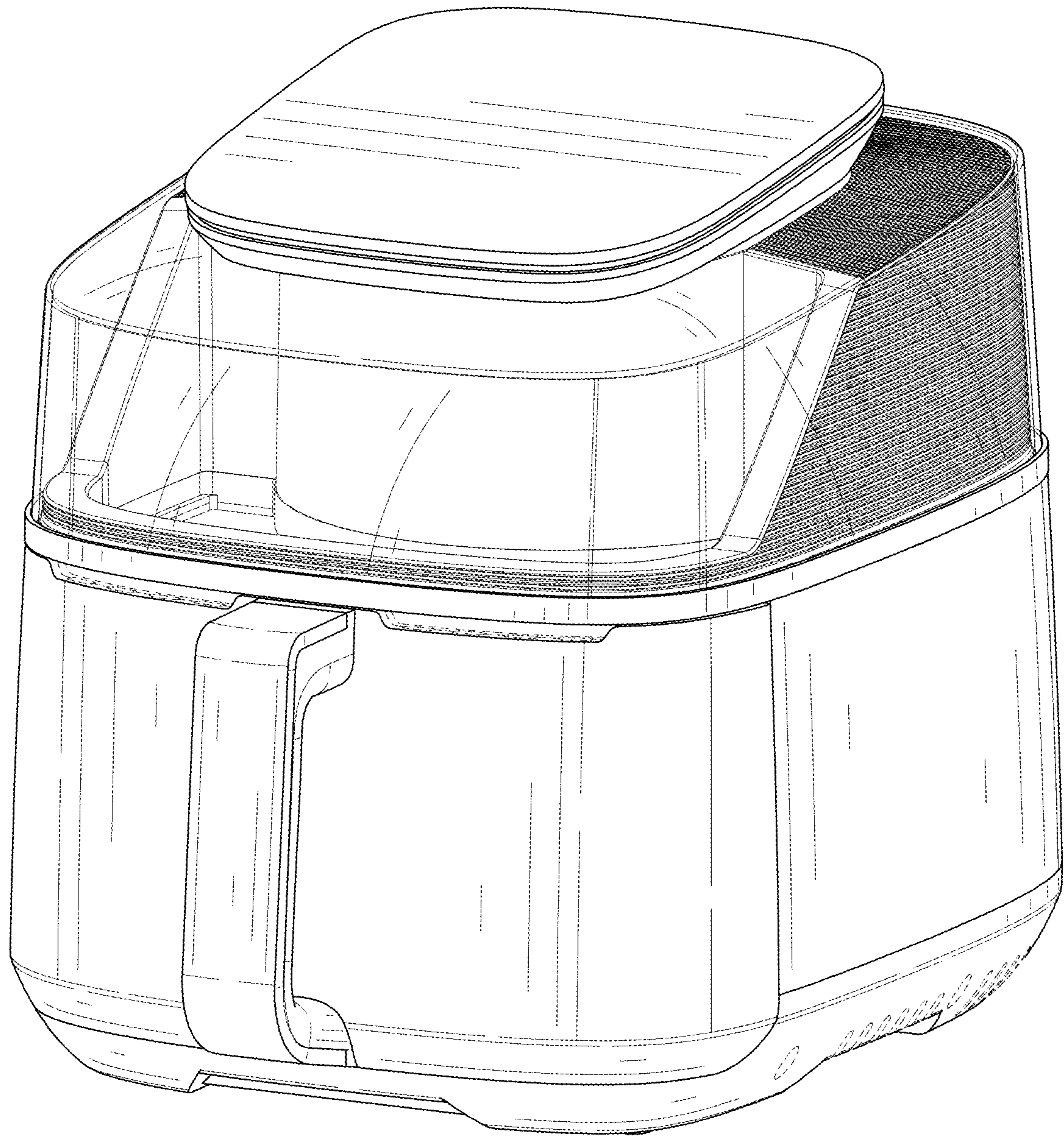


FIG. 1

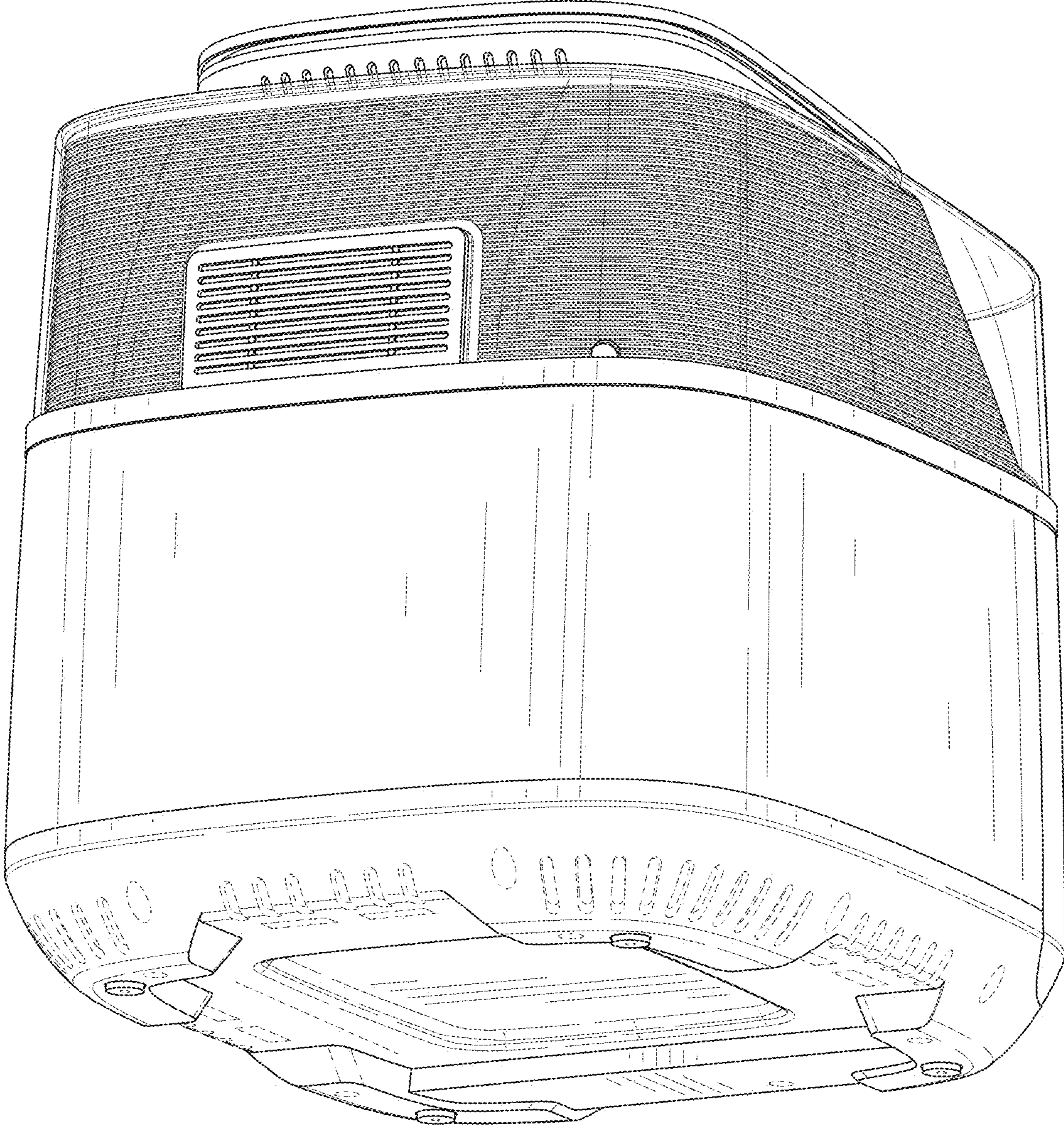


FIG. 2



FIG. 3

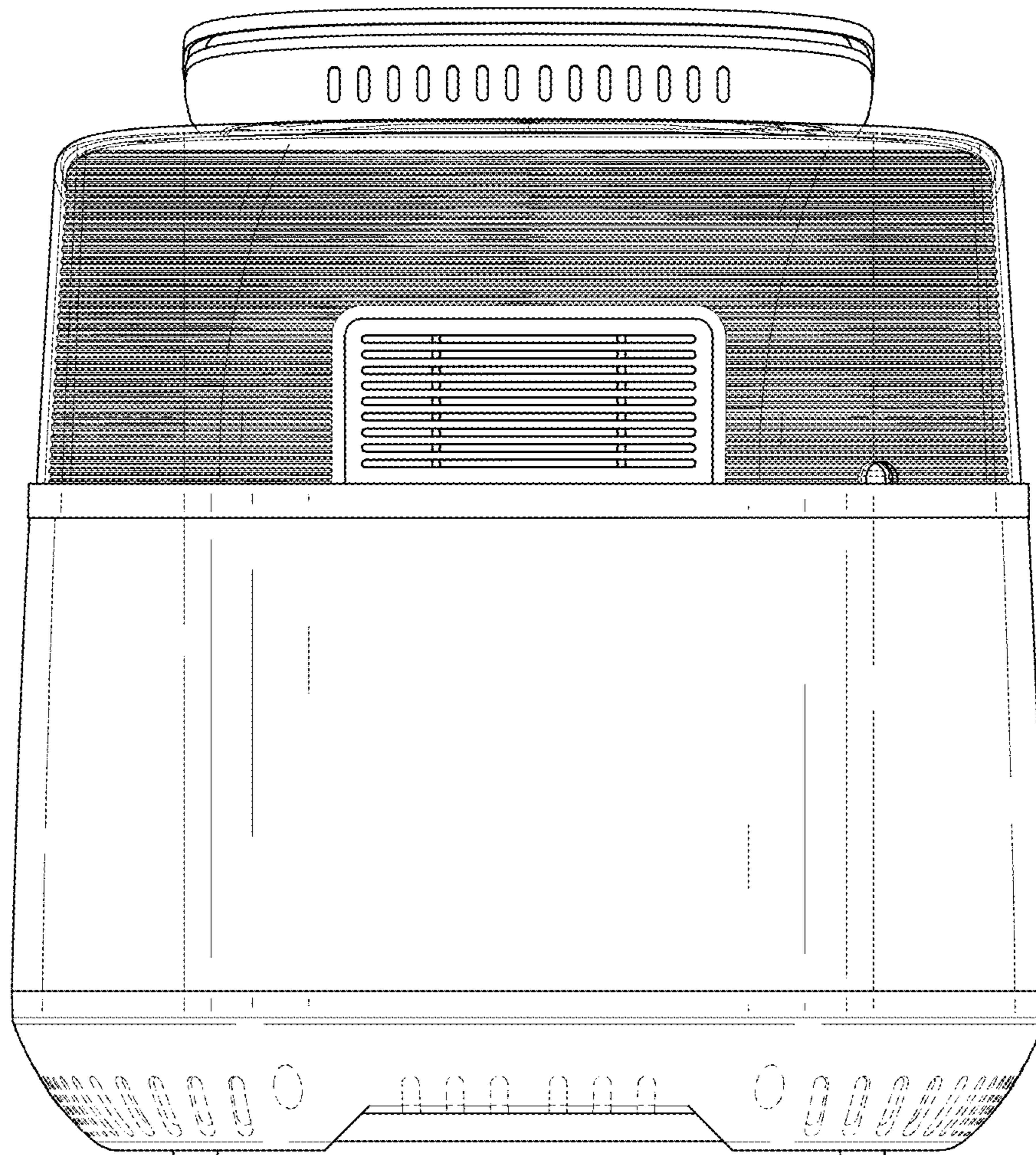


FIG. 4

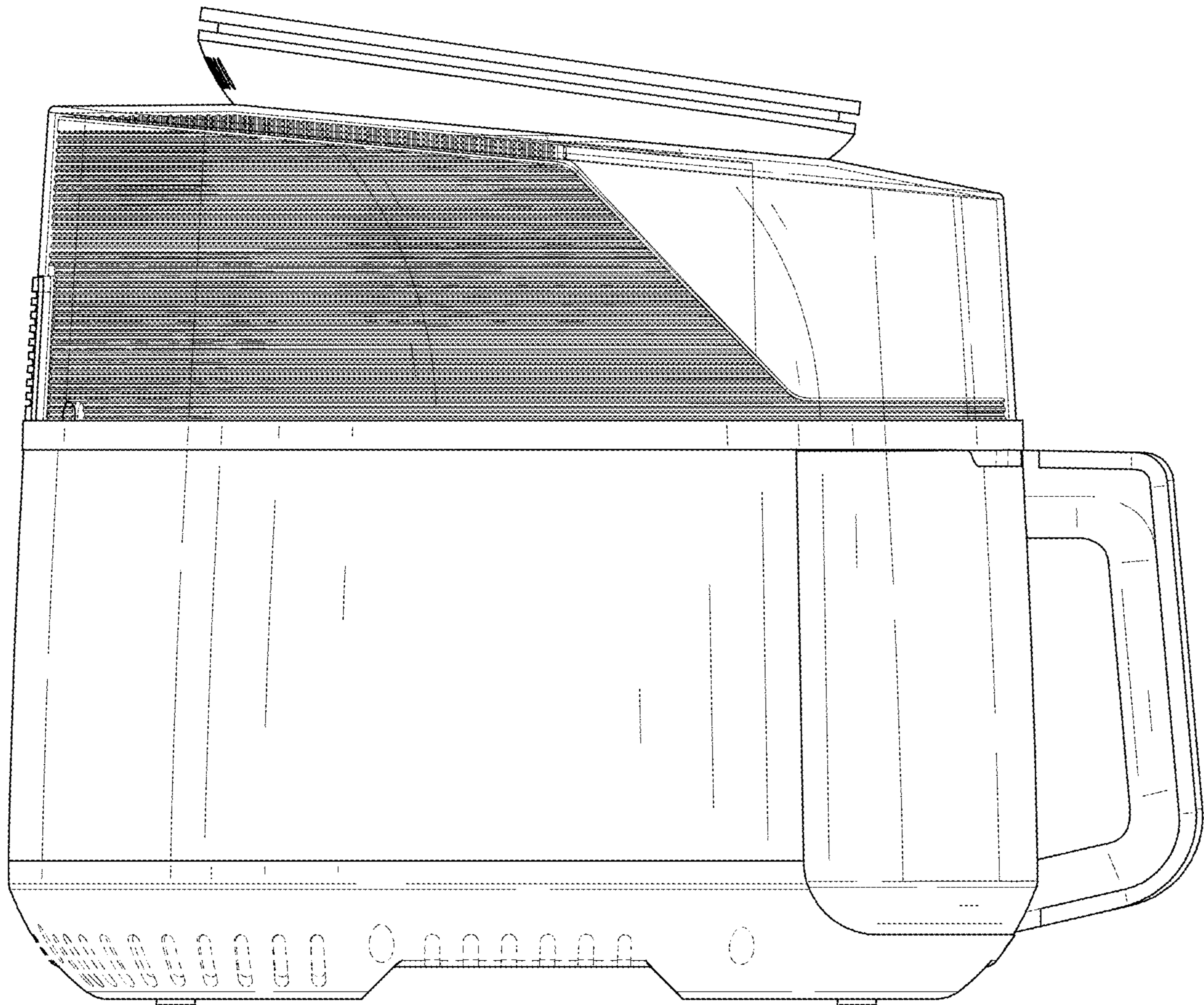


FIG. 5

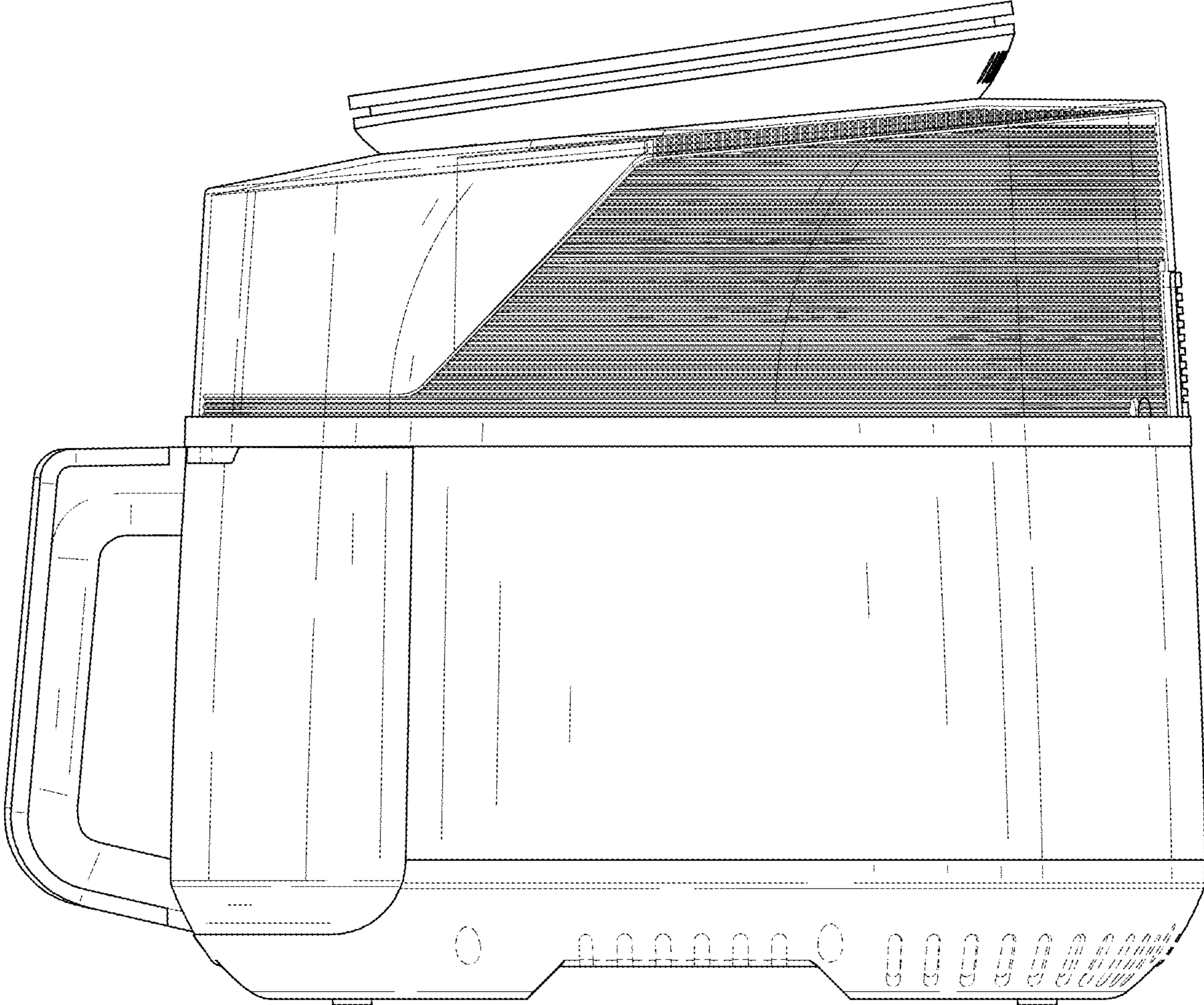


FIG. 6

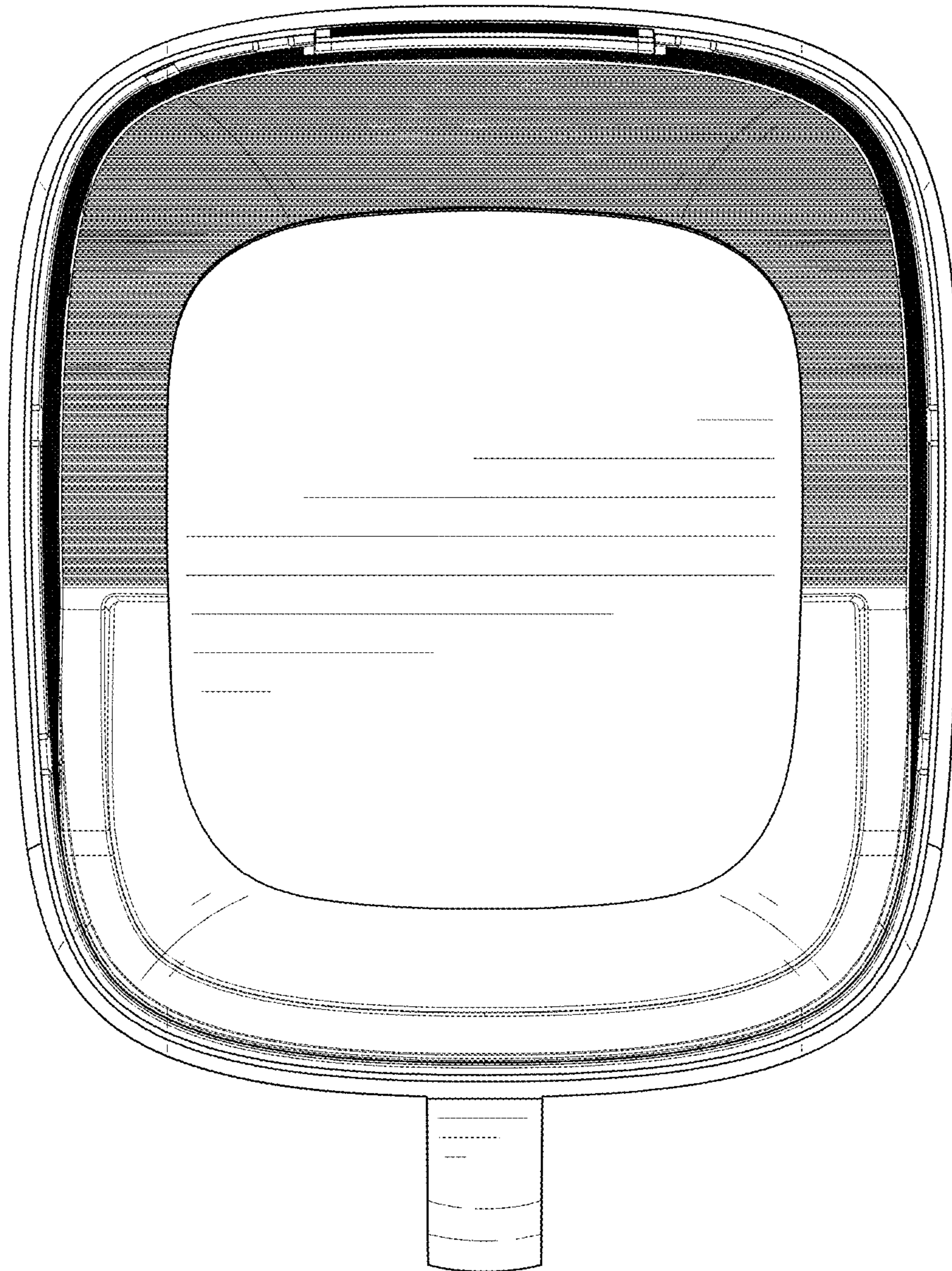


FIG. 7

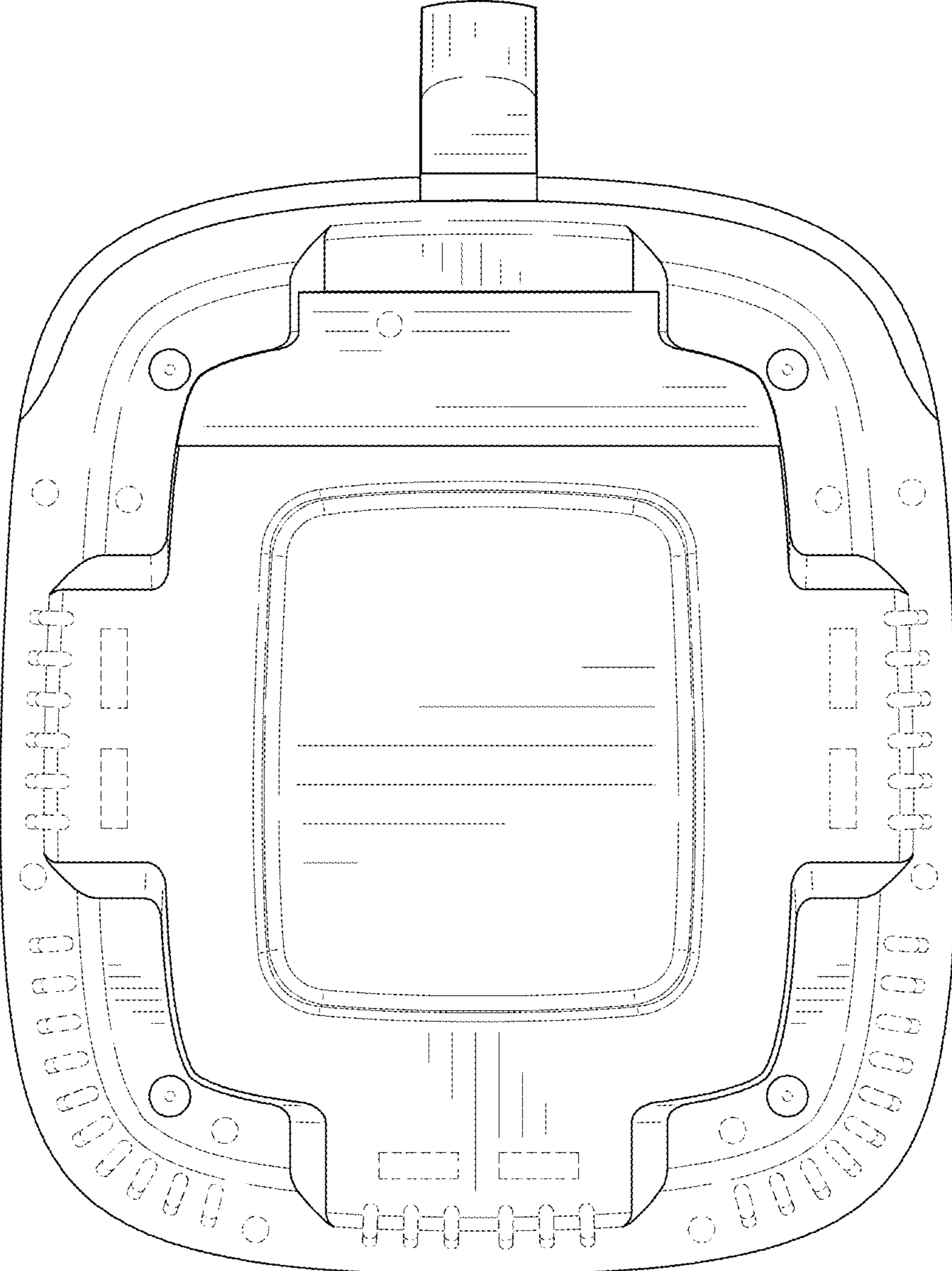


FIG. 8