



US00D985996S

(12) **United States Design Patent**  
**Zhang**

(10) **Patent No.:** **US D985,996 S**

(45) **Date of Patent:** **\*\* May 16, 2023**

(54) **AIR FRYER**

(71) Applicant: **Ningbo Careline Electric Appliance Co., LTD.**, Ningbo (CN)

(72) Inventor: **Yichi Zhang**, Ningbo (CN)

(73) Assignee: **NINGBO CARELINE ELECTRIC APPLIANCE CO., LTD.**, Ningbo (CN)

(\*\*) Term: **15 Years**

(21) Appl. No.: **29/783,447**

(22) Filed: **May 13, 2021**

(30) **Foreign Application Priority Data**

Nov. 25, 2020 (CN) ..... 202030716467.2

(51) **LOC (14) Cl.** ..... **07-02**

(52) **U.S. Cl.**  
USPC ..... **D7/354**

(58) **Field of Classification Search**  
USPC ..... D7/323, 350.3, 354-361  
CPC ..... A23L 1/01; A23L 1/0107; A23L 1/0114;  
A47J 27/00; A47J 27/08; A47J 27/09;  
A47J 27/092; A47J 36/025; A47J 36/06;  
A47J 36/08; A47J 36/10; A47J 36/12;  
A47J 36/18; A47J 36/20; A47J 36/22;  
A47J 36/165; A47J 37/00; A47J 37/0641;  
A47J 37/12; A47J 37/129; A47J 37/1204;  
A47J 37/1209; A47J 37/1214; A47J  
37/1219; A47J 37/1266; A47J 37/1285;  
A47J 37/1295; G07F 17/0064; G07F  
17/0078; G07F 17/0085; H05B 6/02;  
H05B 6/06; H05B 6/12

See application file for complete search history.

(56) **References Cited**

**U.S. PATENT DOCUMENTS**

D836,381 S \* 12/2018 Moon ..... D7/354  
D871,827 S \* 1/2020 Moon ..... D7/354

D875,462 S \* 2/2020 Chen ..... D7/354  
D875,463 S \* 2/2020 Chen ..... D7/354  
D878,850 S \* 3/2020 Hu ..... D7/354  
D879,540 S \* 3/2020 Chen ..... D7/354  
D880,220 S \* 4/2020 Chen ..... D7/354  
11,045,046 B1 \* 6/2021 Man ..... A47J 37/0641  
D932,232 S \* 10/2021 Yang ..... D7/354

(Continued)

**OTHER PUBLICATIONS**

Chefman 2 in 1 Max XL 8 Qt Air Fryer. Date First Available on Amazon.com Jun. 11, 2021. <https://www.amazon.com/dp/B0973B8GLV/ref> (Year: 2021).\*

(Continued)

*Primary Examiner* — Ricky Pham

(74) *Attorney, Agent, or Firm* — Dinsmore & Shohl LLP

(57) **CLAIM**

I claim the ornamental design for an air fryer, as shown and described.

**DESCRIPTION**

FIG. 1 is a front, right and top side perspective view of an air fryer showing my new design;  
FIG. 2 is a rear, left and bottom side perspective view thereof;  
FIG. 3 is a front elevation view thereof;  
FIG. 4 is a rear elevation view thereof;  
FIG. 5 is a left side elevation view thereof;  
FIG. 6 is a right side elevation view thereof;  
FIG. 7 is a top plan view thereof;  
FIG. 8 is a bottom plan view thereof; and,  
FIG. 9 is a partial enlarged view of a portion labeled with a numeric 9 in FIG. 1 thereof.  
The broken lines shown in the drawings represent portions of the air fryer that form no part of the claimed design.

**1 Claim, 9 Drawing Sheets**

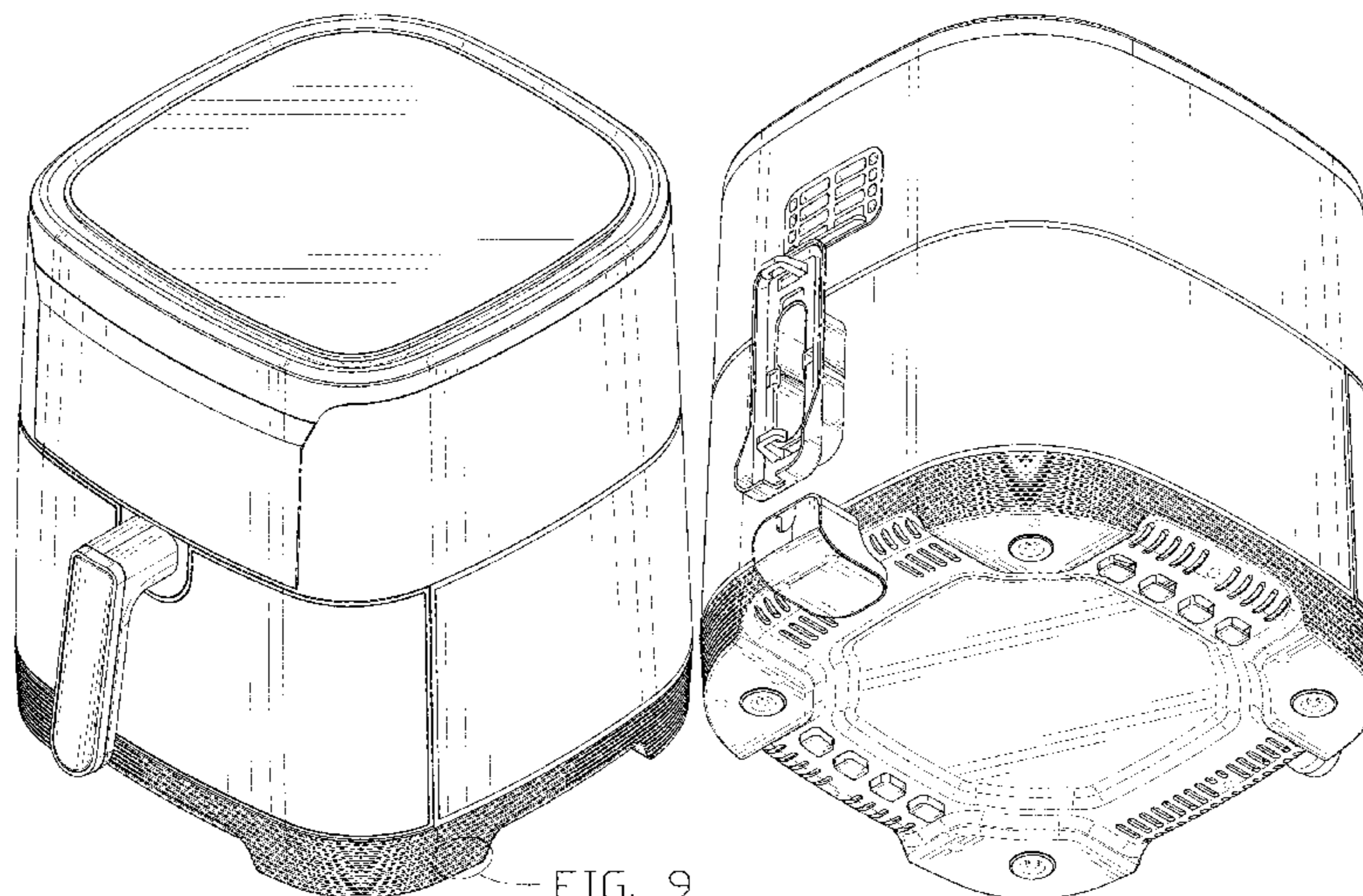


FIG. 9

(56)

**References Cited**

U.S. PATENT DOCUMENTS

D939,886 S \* 1/2022 Yang ..... D7/354  
D946,962 S \* 3/2022 Qin ..... D7/354  
D947,592 S \* 4/2022 Chen ..... D7/354  
D957,179 S \* 7/2022 Li ..... D7/350.3

OTHER PUBLICATIONS

Air Fryer White, Wetie. Date First Available on Amazon.com Mar.  
24, 2022. <https://www.amazon.com/dp/B09WDGXXK1G/ref> (Year:  
2022).\*

\* cited by examiner



FIG. 1

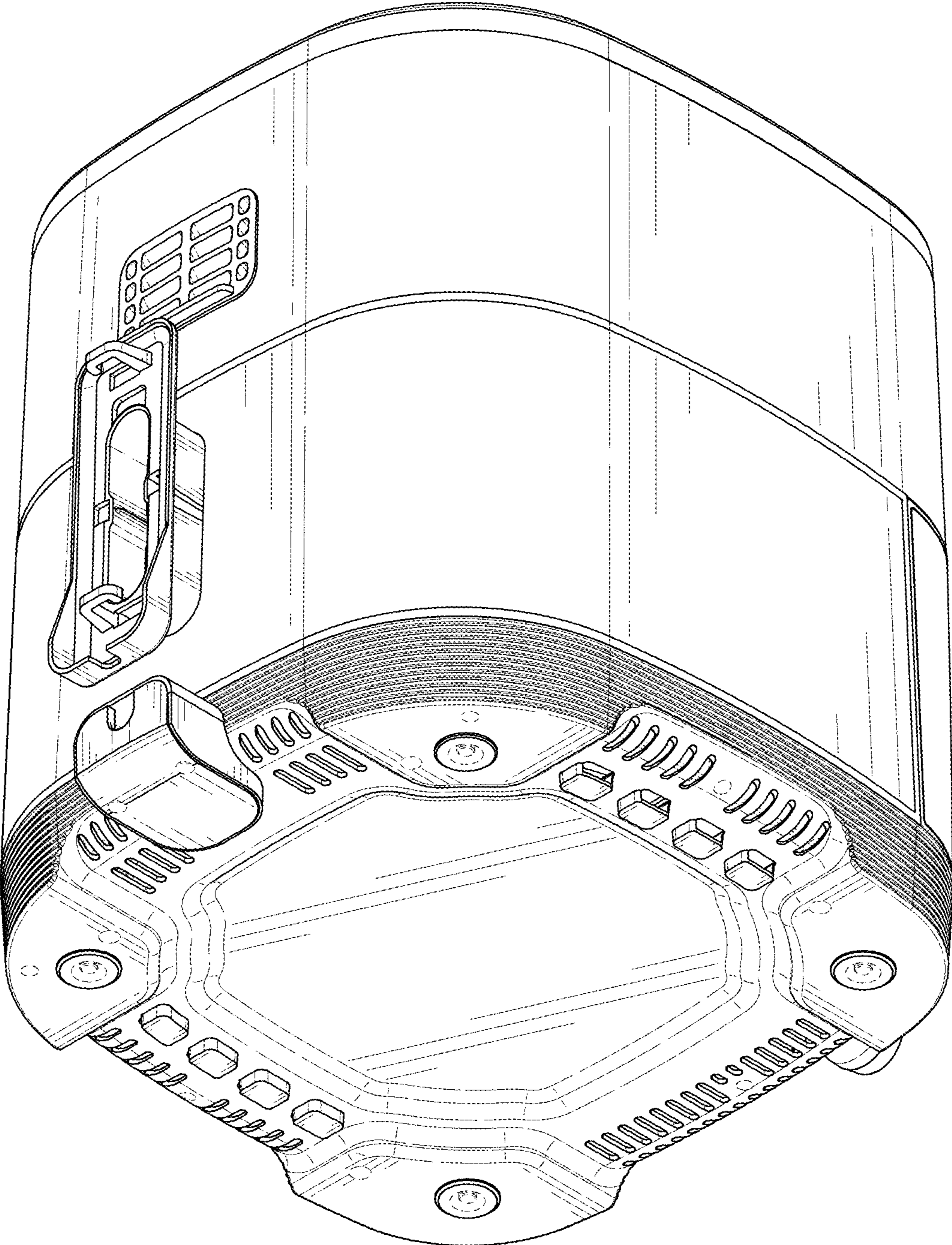


FIG. 2

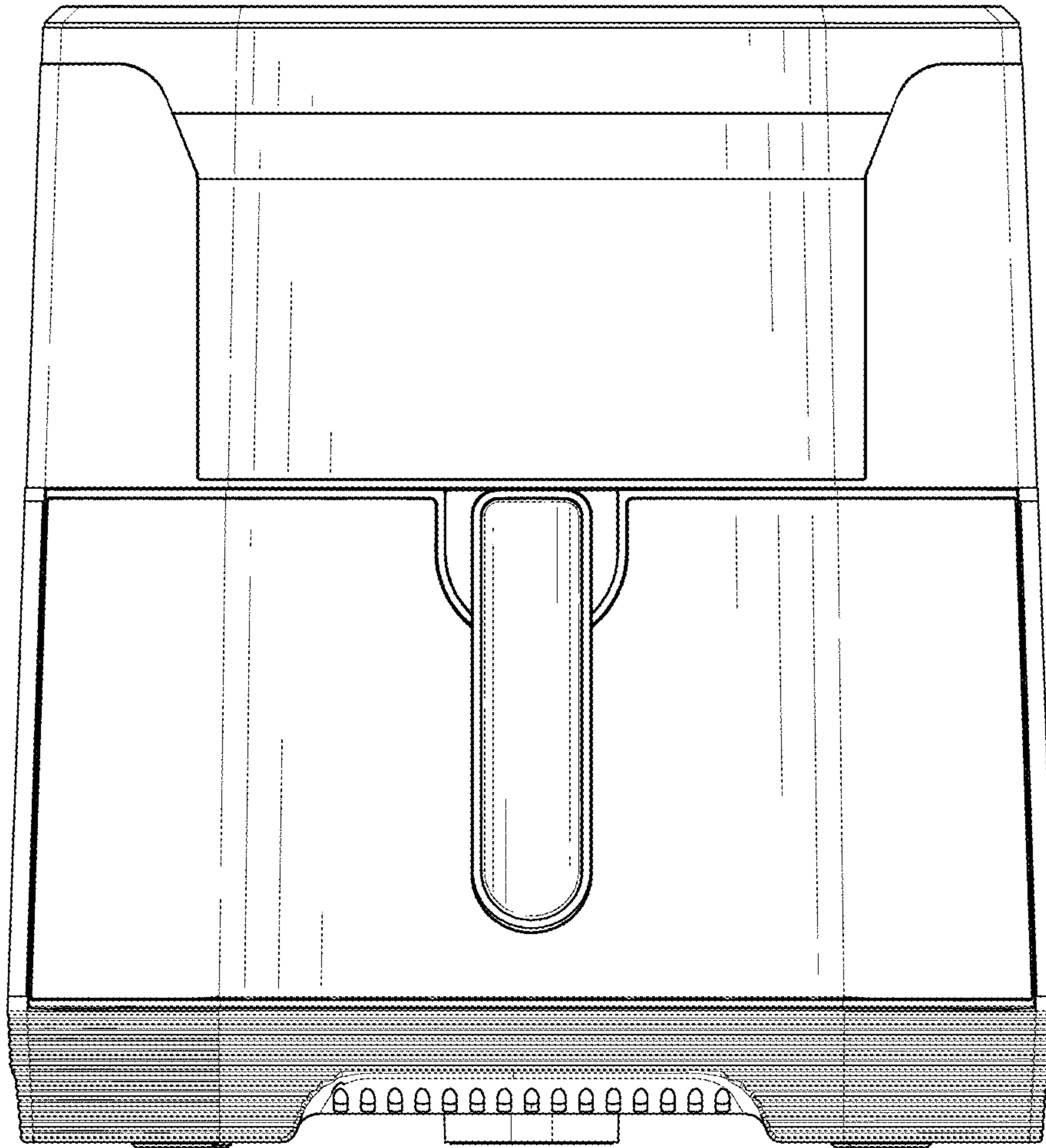


FIG. 3

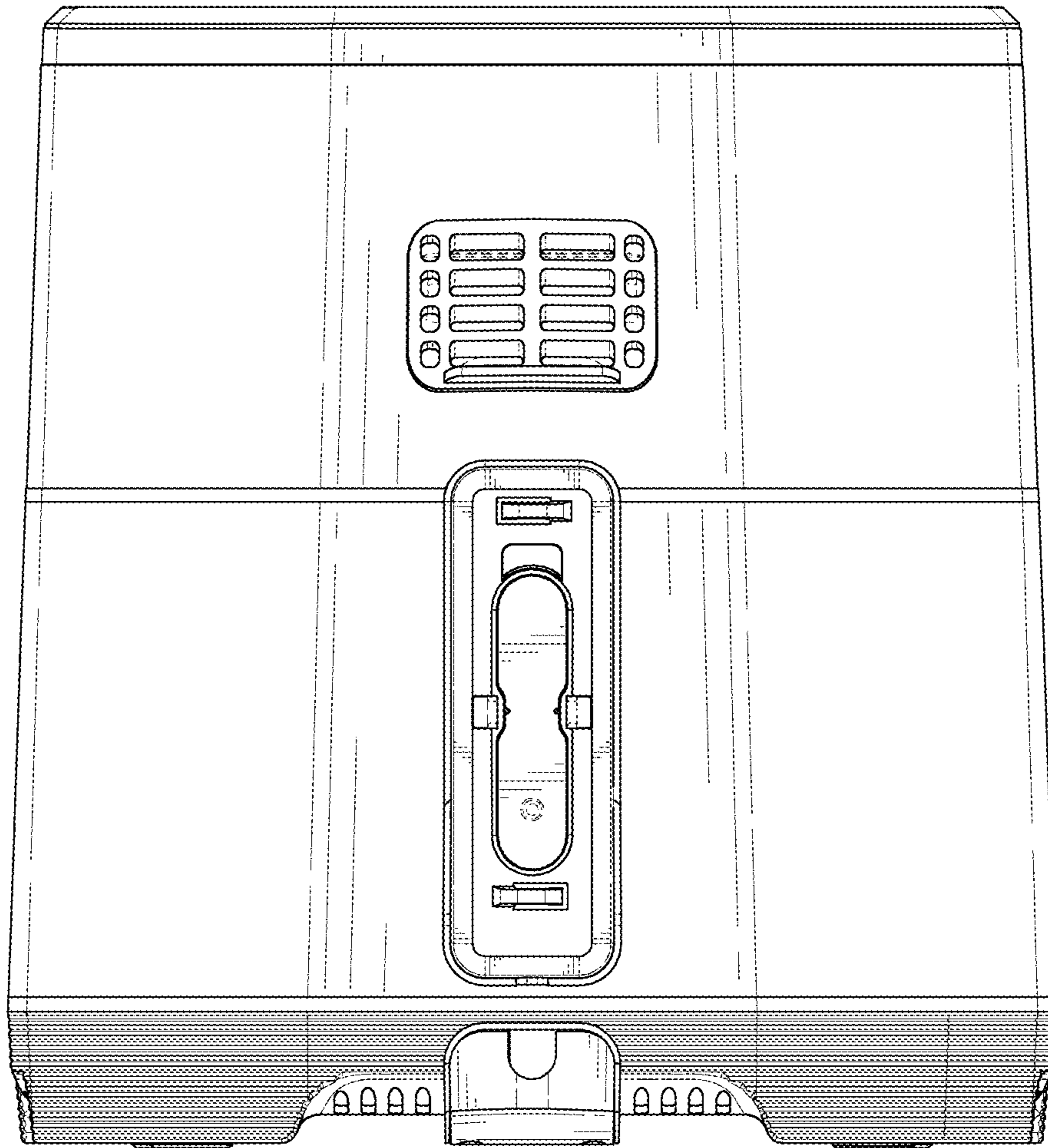


FIG. 4

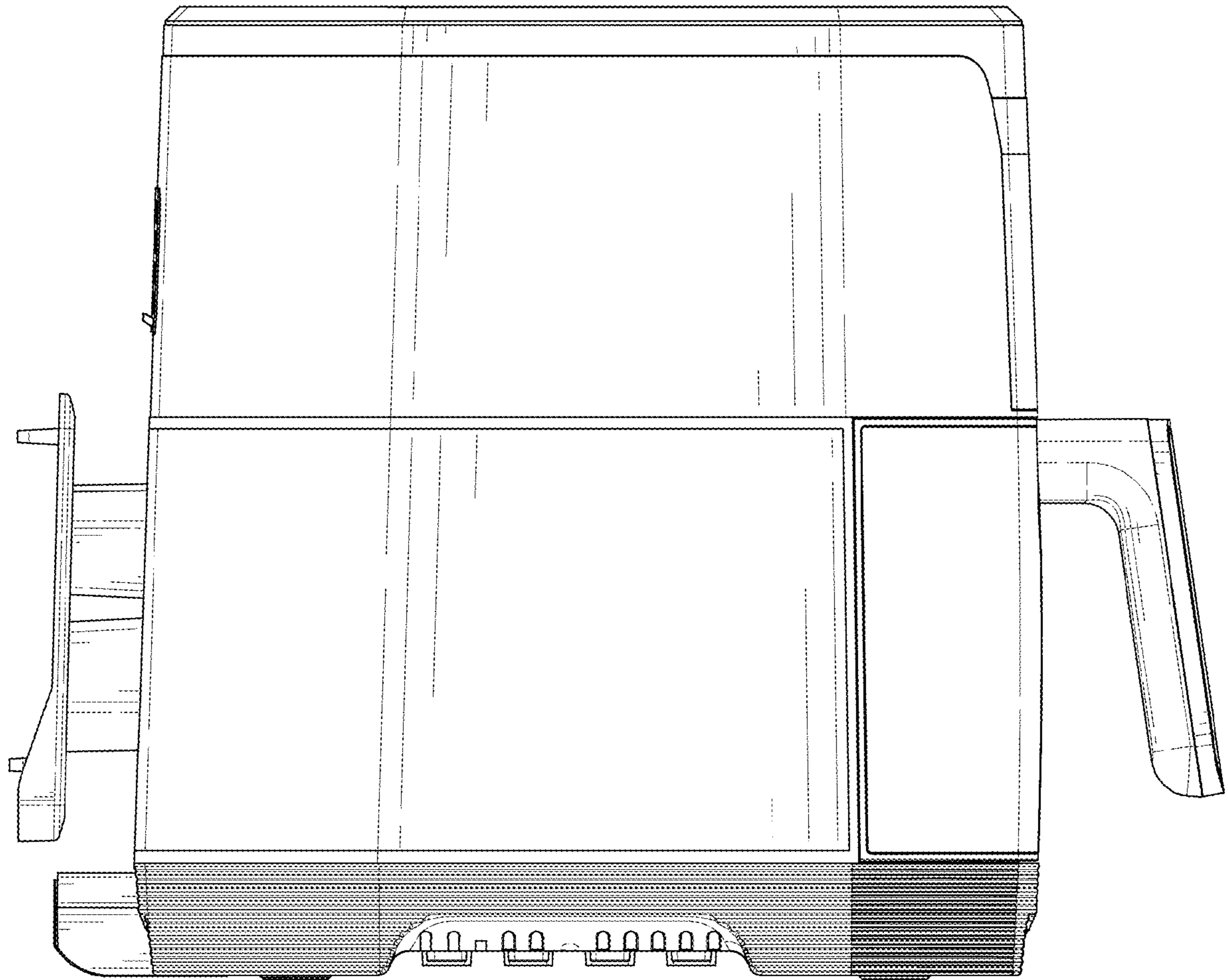


FIG. 5

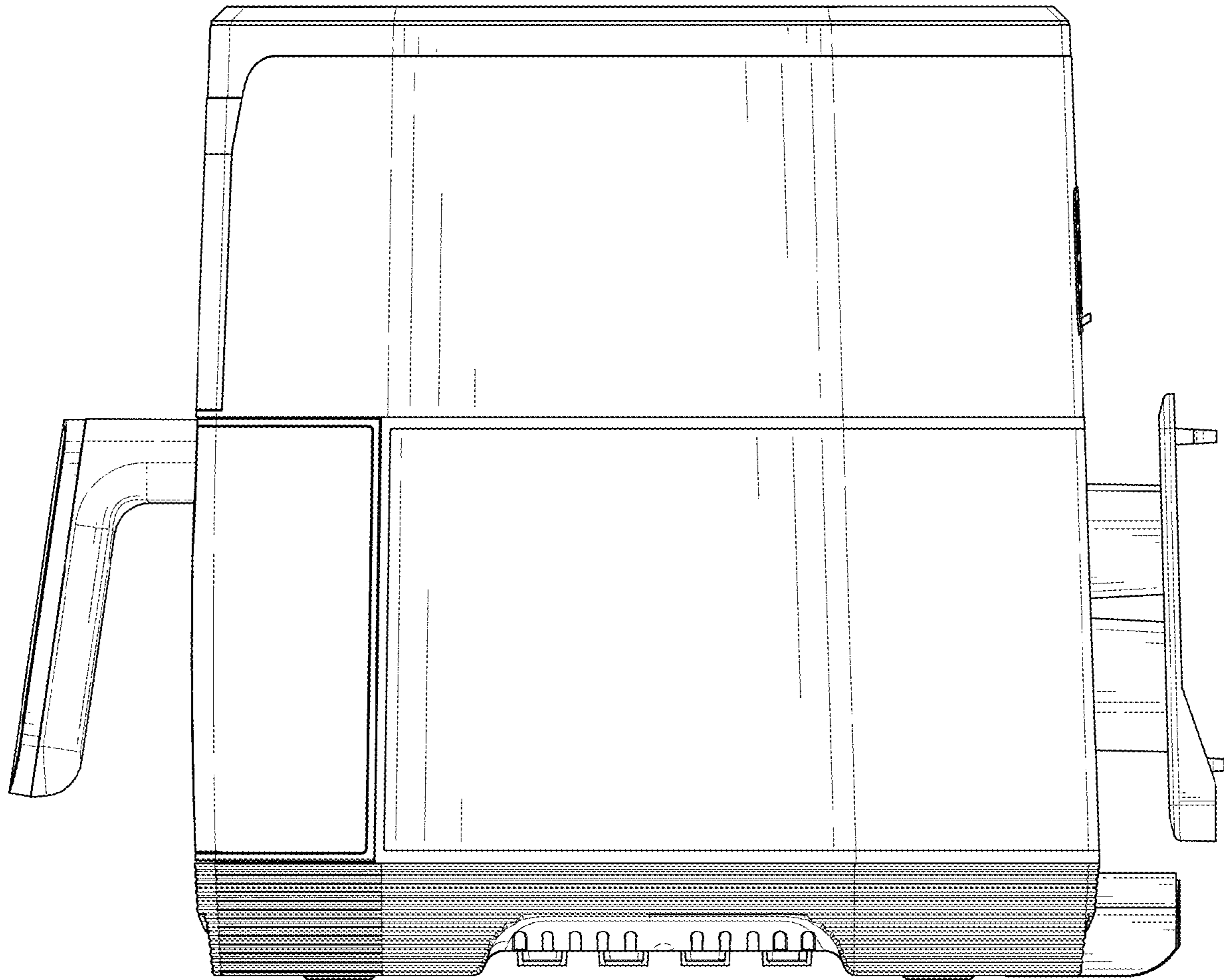


FIG. 6



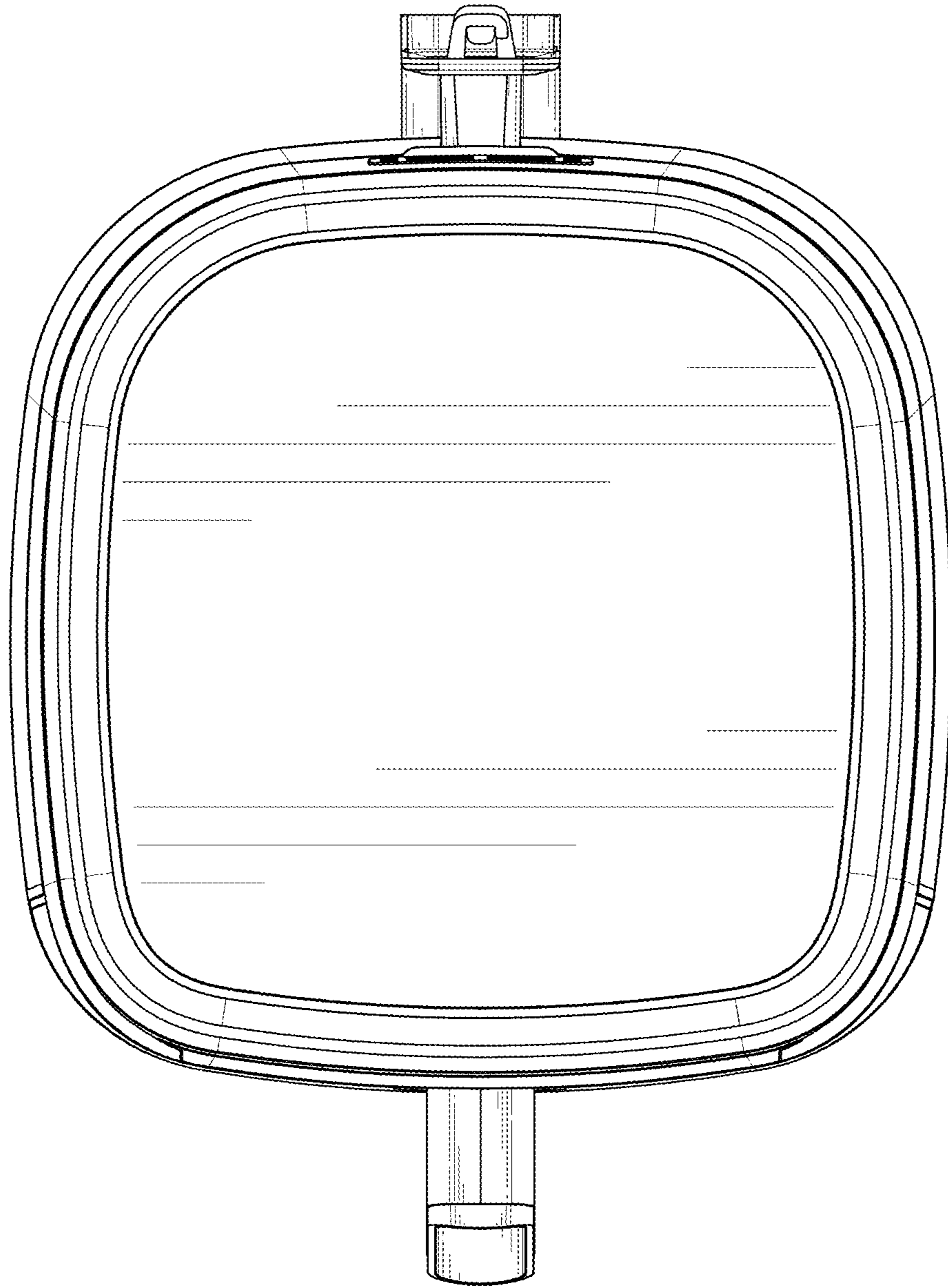


FIG. 7

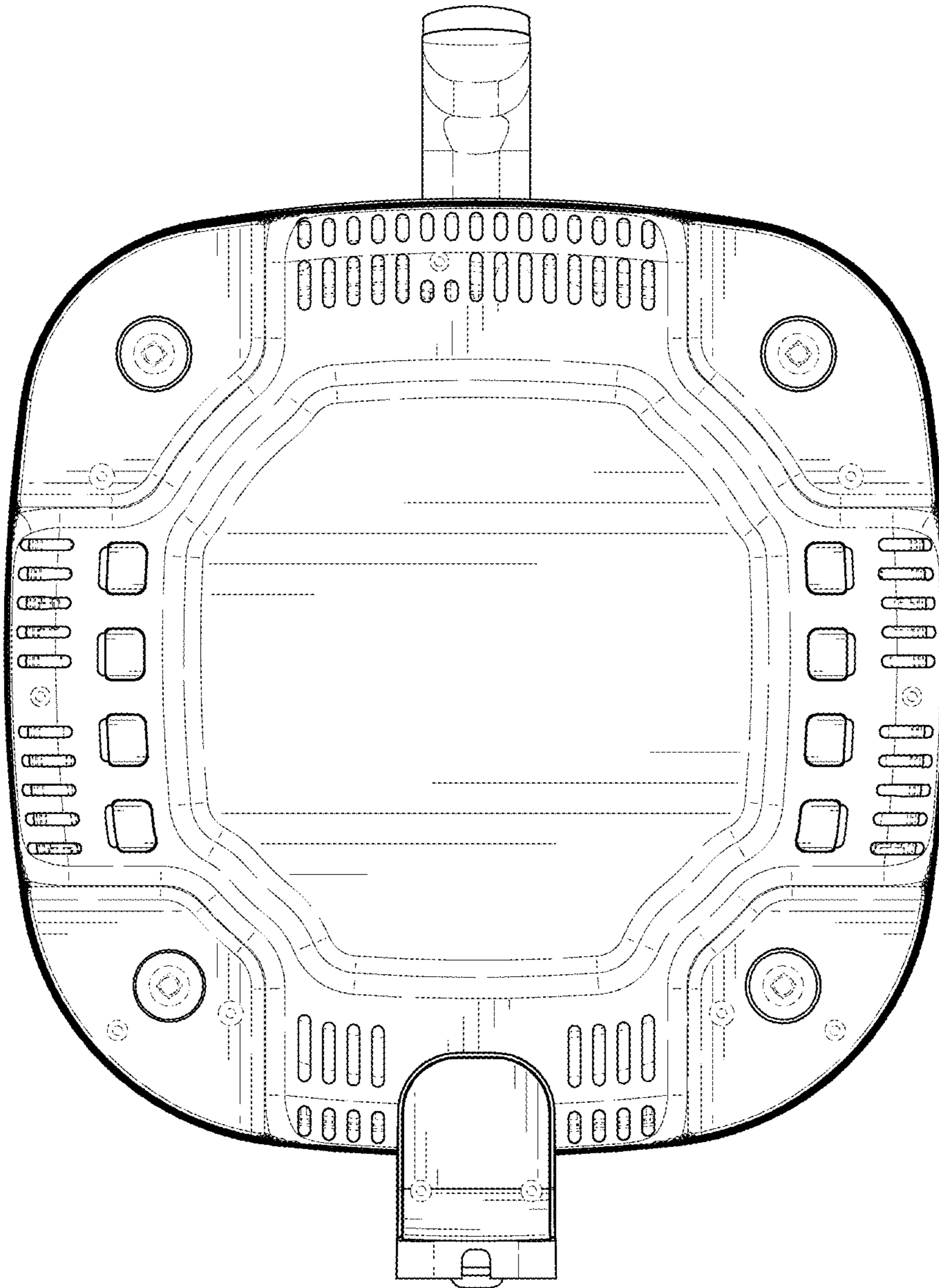


FIG. 8

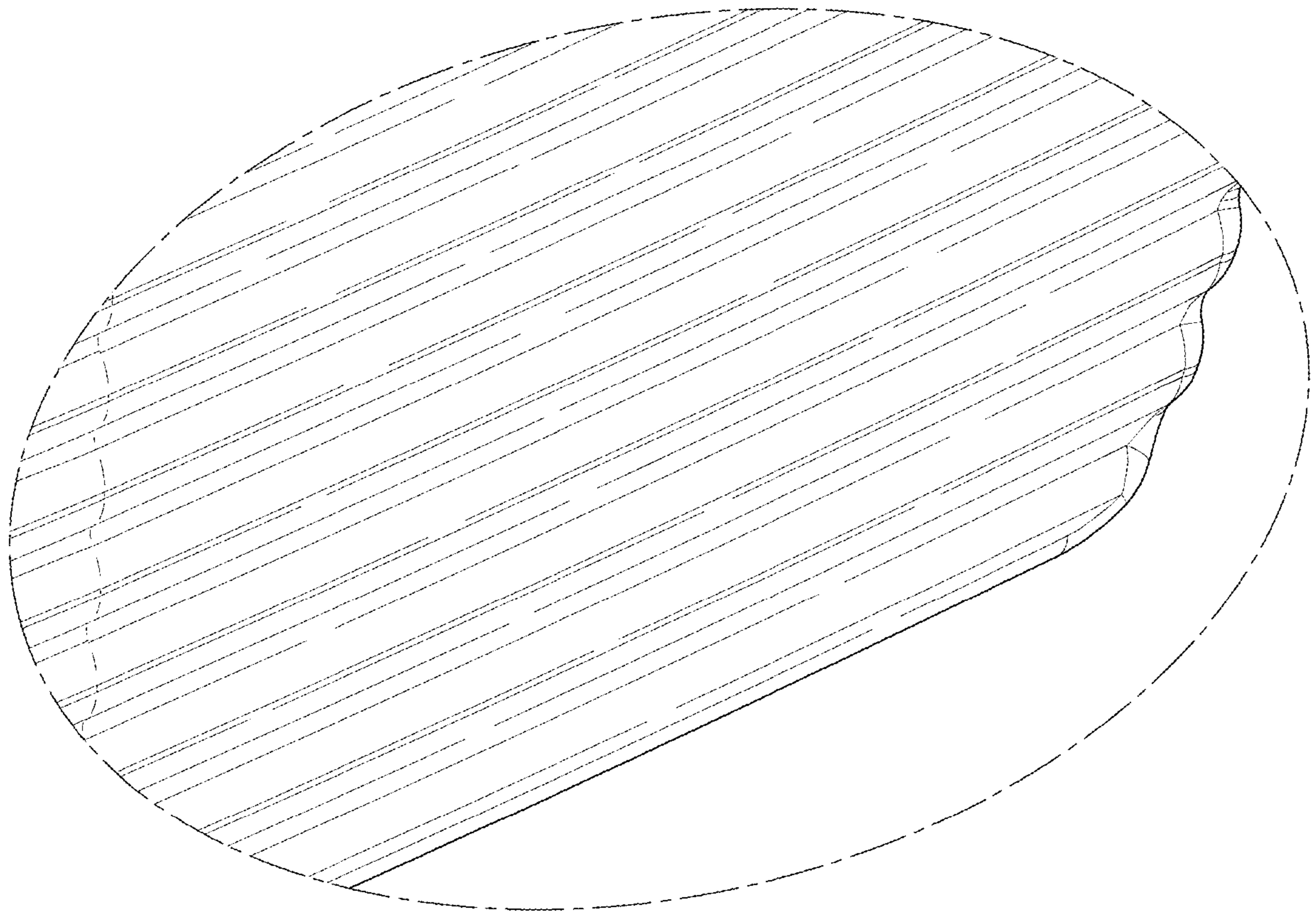


FIG. 9