



US00D985994S

(12) **United States Design Patent**
Meuwissen

(10) **Patent No.:** **US D985,994 S**

(45) **Date of Patent:** **** May 16, 2023**

(54) **KETTLE**

(71) Applicant: **Spectrum Brands, Inc.**, Middleton, WI (US)

(72) Inventor: **Kendall Meuwissen**, Middleton, WI (US)

(73) Assignee: **Spectrum Brands, Inc.**, Middleton, WI (US)

(**) Term: **15 Years**

(21) Appl. No.: **29/774,737**

(22) Filed: **Mar. 18, 2021**

(51) **LOC (14) Cl.** **07-02**

(52) **U.S. Cl.**

USPC **D7/318; D7/317**

(58) **Field of Classification Search**

USPC **D7/300, 316-322**

CPC **A47G 19/16; A47J 2202/00; A47J 27/10; A47J 27/21; A47J 27/21008; A47J 27/21041; A47J 27/2105; A47J 27/21058; A47J 27/21083; A47J 27/21091; A47J**

(Continued)

(56) **References Cited**

U.S. PATENT DOCUMENTS

D225,365 S * 12/1972 Beckman D7/317

D375,016 S * 10/1996 Ullmann D7/319

(Continued)

FOREIGN PATENT DOCUMENTS

AU 2009101273 A4 2/2010

CN 305786542 * 5/2020

(Continued)

OTHER PUBLICATIONS

“OXO KC09087 on Cordless Glass Electric Kettle,” Jul. 7, 2015, Amazon.ca, www.amazon.ca/OXO-Cordless-Electric-Kettle-Stainless/dp/B00YEYKRX8?th=1 (Year: 2015).*

(Continued)

Primary Examiner — Joseph Kukella

Assistant Examiner — Arva P Adams

(74) *Attorney, Agent, or Firm* — Foley & Lardner LLP

(57) **CLAIM**

The ornamental design for a kettle, as shown and described.

DESCRIPTION

FIG. 1 is a front perspective view of a kettle showing my new design;

FIG. 2 is a front view thereof;

FIG. 3 is a rear view thereof;

FIG. 4 is a left side view thereof;

FIG. 5 is a right side view thereof;

FIG. 6 is a top view thereof;

FIG. 7 is a bottom view thereof;

FIG. 8 is a front perspective view of the kettle of FIGS. 1-7 shown without surface shading and disclaimed regions;

FIG. 9 is a front view thereof;

FIG. 10 is a rear view thereof;

FIG. 11 is a left side view thereof;

FIG. 12 is a right side view thereof;

FIG. 13 is a top view thereof;

FIG. 14 is a bottom view thereof;

FIG. 15 is a front perspective view of the kettle of FIGS. 8-14 with an added base;

FIG. 16 is a front view thereof;

FIG. 17 is a rear view thereof;

FIG. 18 is a left side view thereof;

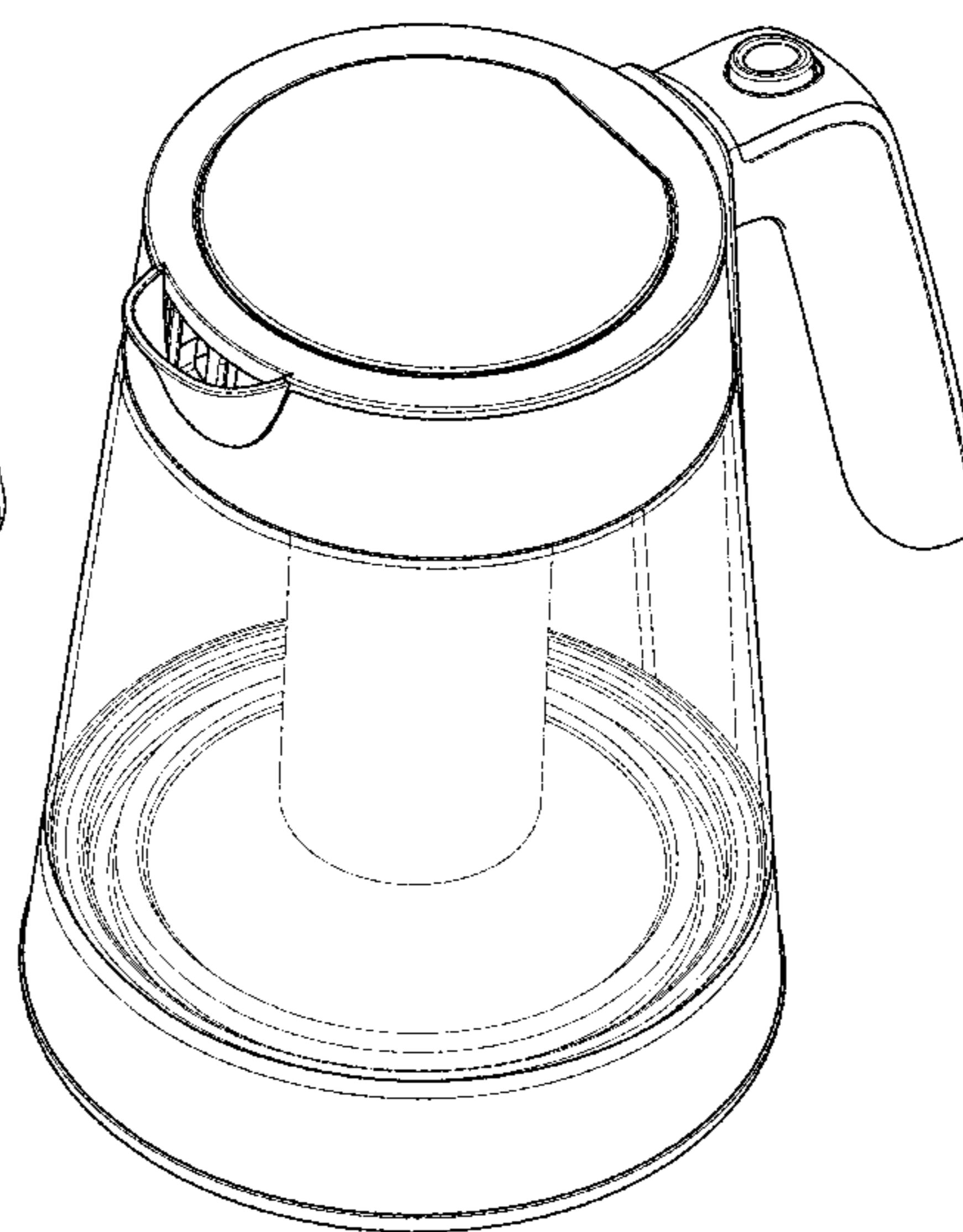
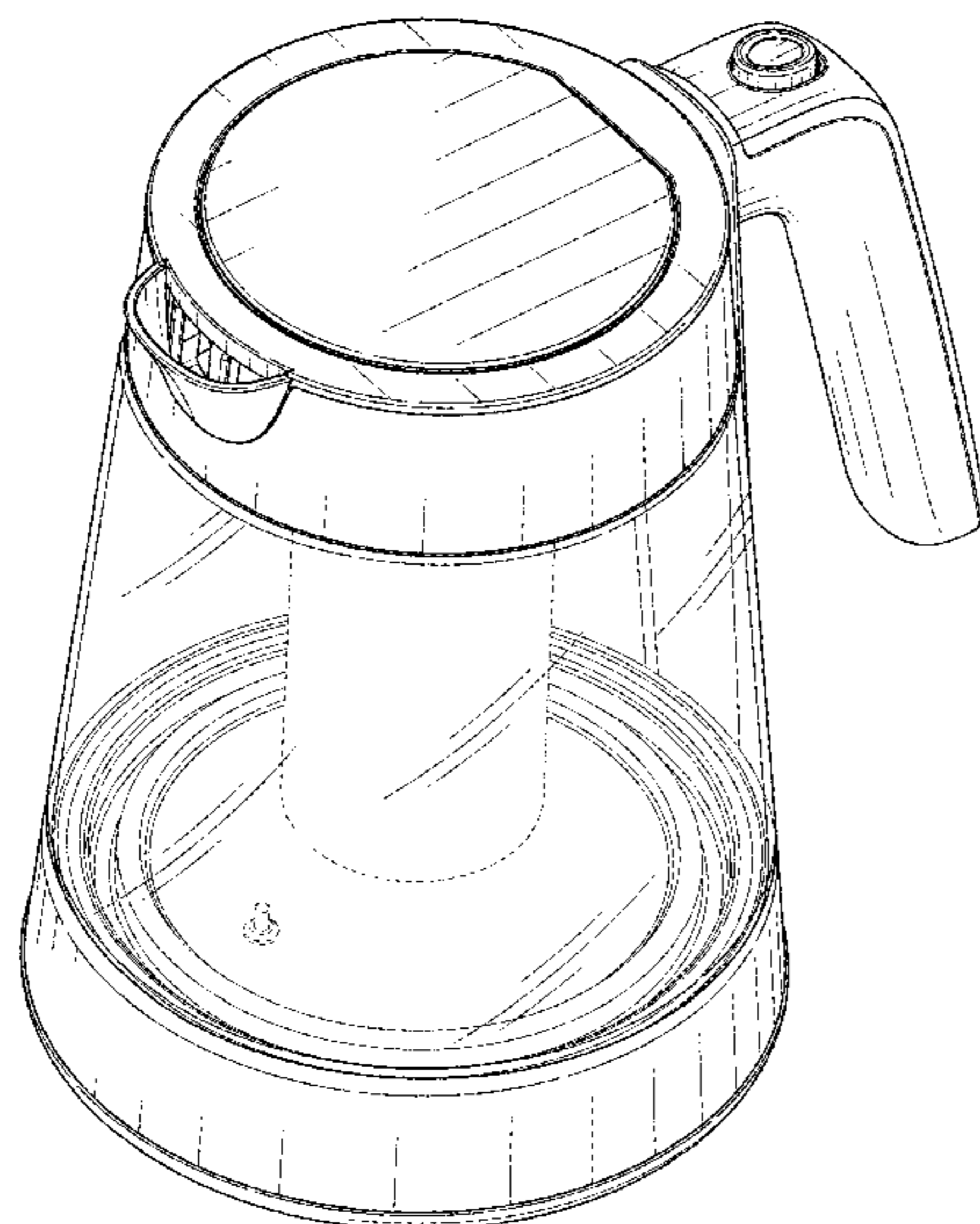
FIG. 19 is a right side view thereof;

FIG. 20 is a top view thereof; and,

FIG. 21 is a bottom view thereof.

The broken lines depicting the infuser and remainder of the kettle form no part of the claimed design.

1 Claim, 21 Drawing Sheets



(58) **Field of Classification Search**
 CPC . 27/21116; A47J 27/21158; A47J 36/02; A47J
 41/0072
 See application file for complete search history.

(56) **References Cited**

U.S. PATENT DOCUMENTS

D388,655 S	1/1998	Flom et al.	
D461,087 S *	8/2002	Hatsumoto	D7/317
D501,117 S	1/2005	Bassill	
D512,597 S *	12/2005	Bjorn	D7/316
D585,231 S	1/2009	Bulala et al.	
D603,647 S *	11/2009	Bodum	A47J 31/0626 D7/317
D611,288 S	3/2010	Bodum	
7,706,671 B2	4/2010	Brown	
D633,324 S *	3/2011	Mondragon	D7/317
D638,651 S *	5/2011	Butler	D7/317
D738,669 S	9/2015	Brook	
D752,375 S *	3/2016	Maitland	D7/317
D753,948 S *	4/2016	Kestenbaum	D7/317
D760,022 S	6/2016	Garvey	
D777,500 S *	1/2017	Lee	D7/319
D799,883 S	10/2017	Bond et al.	
D805,342 S	12/2017	Benoit et al.	
D814,222 S	4/2018	Bronwasser	
D814,849 S	4/2018	Lee et al.	
D824,723 S	8/2018	Averty	
D830,759 S	10/2018	Vu et al.	
D832,055 S *	10/2018	Rose	D7/598
D861,408 S	10/2019	Hagger	

D878,848 S *	3/2020	Hu	D7/317
D880,925 S *	4/2020	Saul	D7/317
D880,926 S *	4/2020	Thun	D7/317
D885,107 S *	5/2020	Katsunuma	D7/312
D885,109 S	5/2020	Katsunuma	
D901,226 S *	11/2020	Shen	D7/309
D901,968 S	11/2020	Hoare et al.	
D943,346 S	2/2022	Harrod	
D963,394 S	9/2022	Guo	
D966,773 S	10/2022	Sowden	
2010/0270284 A1	10/2010	Cohen et al.	
2015/0230659 A1	8/2015	Hoare et al.	
2016/0374500 A1	12/2016	Bugatti	
2018/0296025 A1 *	10/2018	Pan	A47J 31/0626

FOREIGN PATENT DOCUMENTS

EM	002188706-0001	*	2/2013
EM	003534171-0001	*	1/2017
KR	301076658.0000	*	9/2020
WO	WO-D215501-001	*	1/2022

OTHER PUBLICATIONS

Flowers, Jeff, "Electric Kettle Buying Guide," Aug. 21, 2017, Compact Appliance, <https://learn.compactappliance.com/electric-kettles-buying-guide/> (Year: 2017).*

Geekycooking, "Russell Hobbs Attentiv Electric Kettle," Jun. 8, 2022, Cooking Gizmos, www.cookinggizmos.com/russell-hobbs-attentiv-electric-kettle/ (Year: 2022).*

* cited by examiner

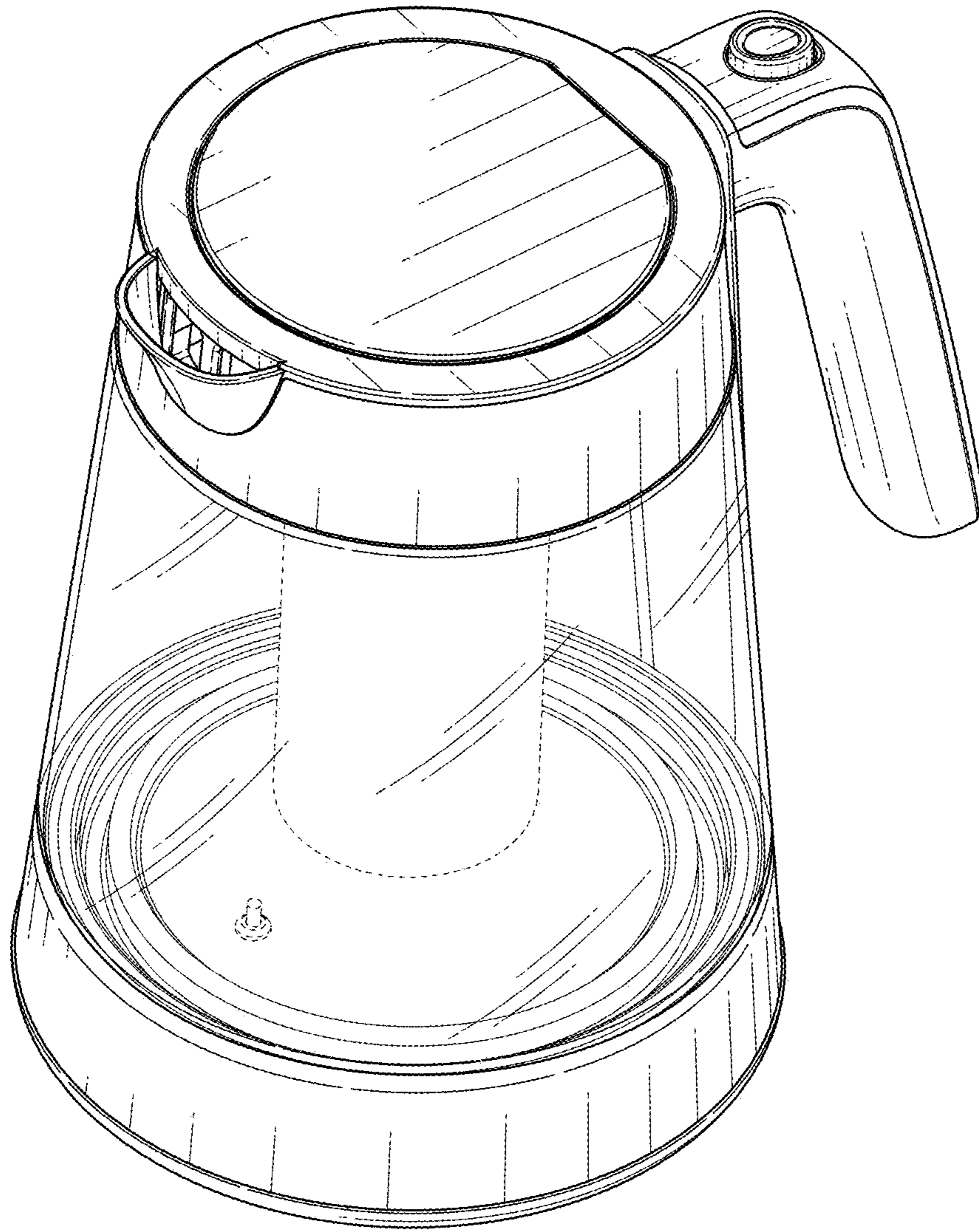


FIG. 1

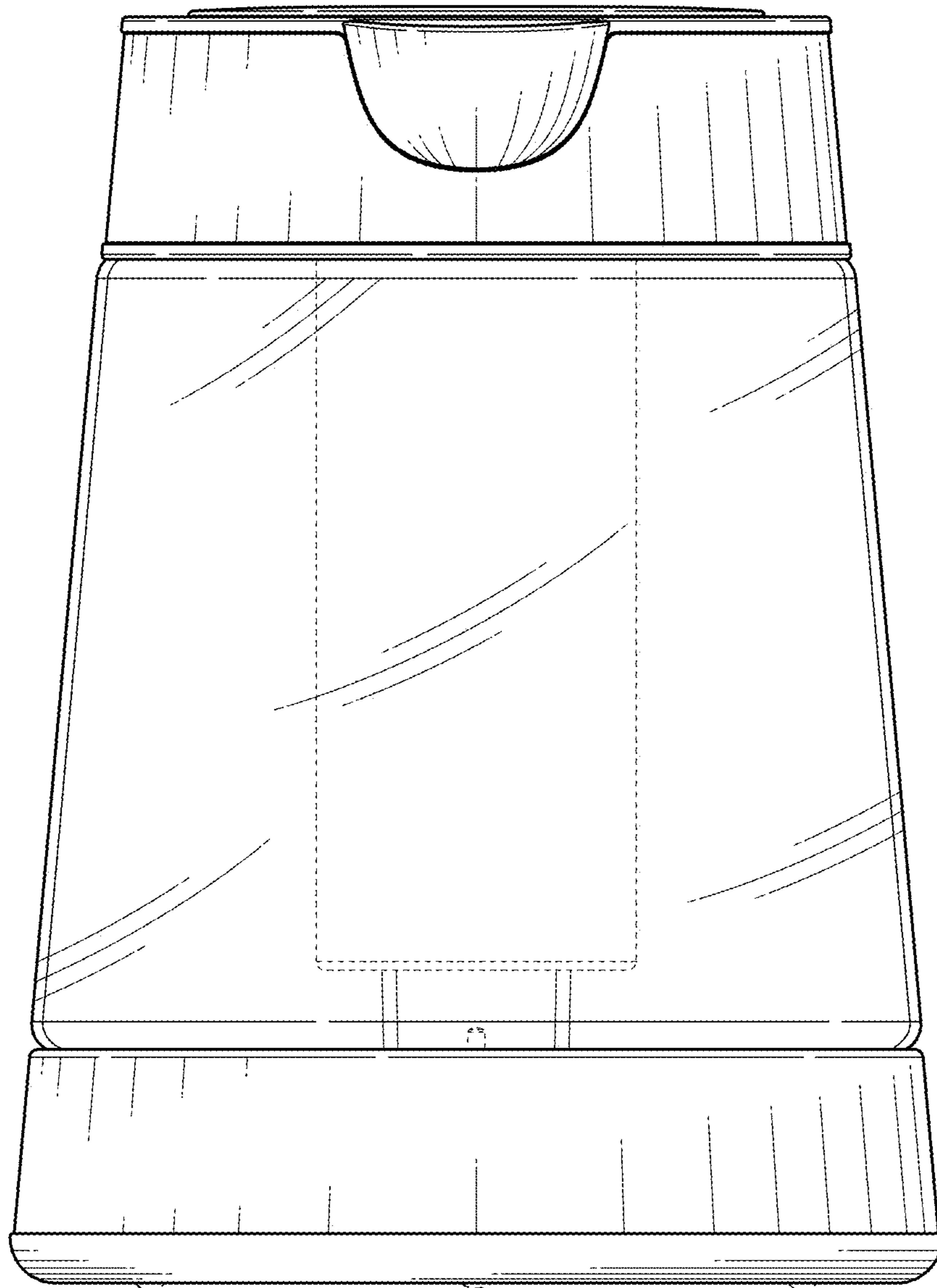


FIG. 2

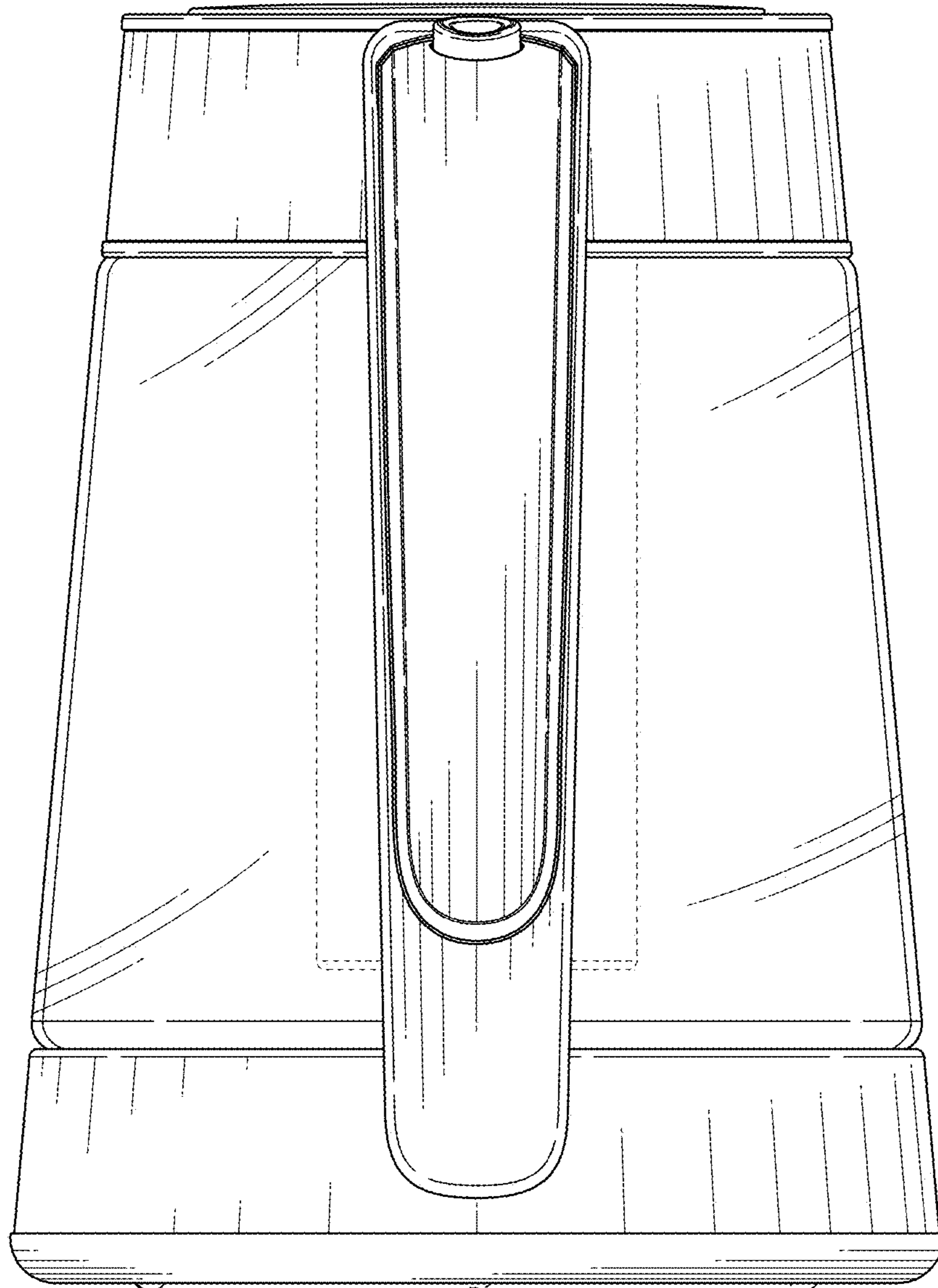


FIG. 3

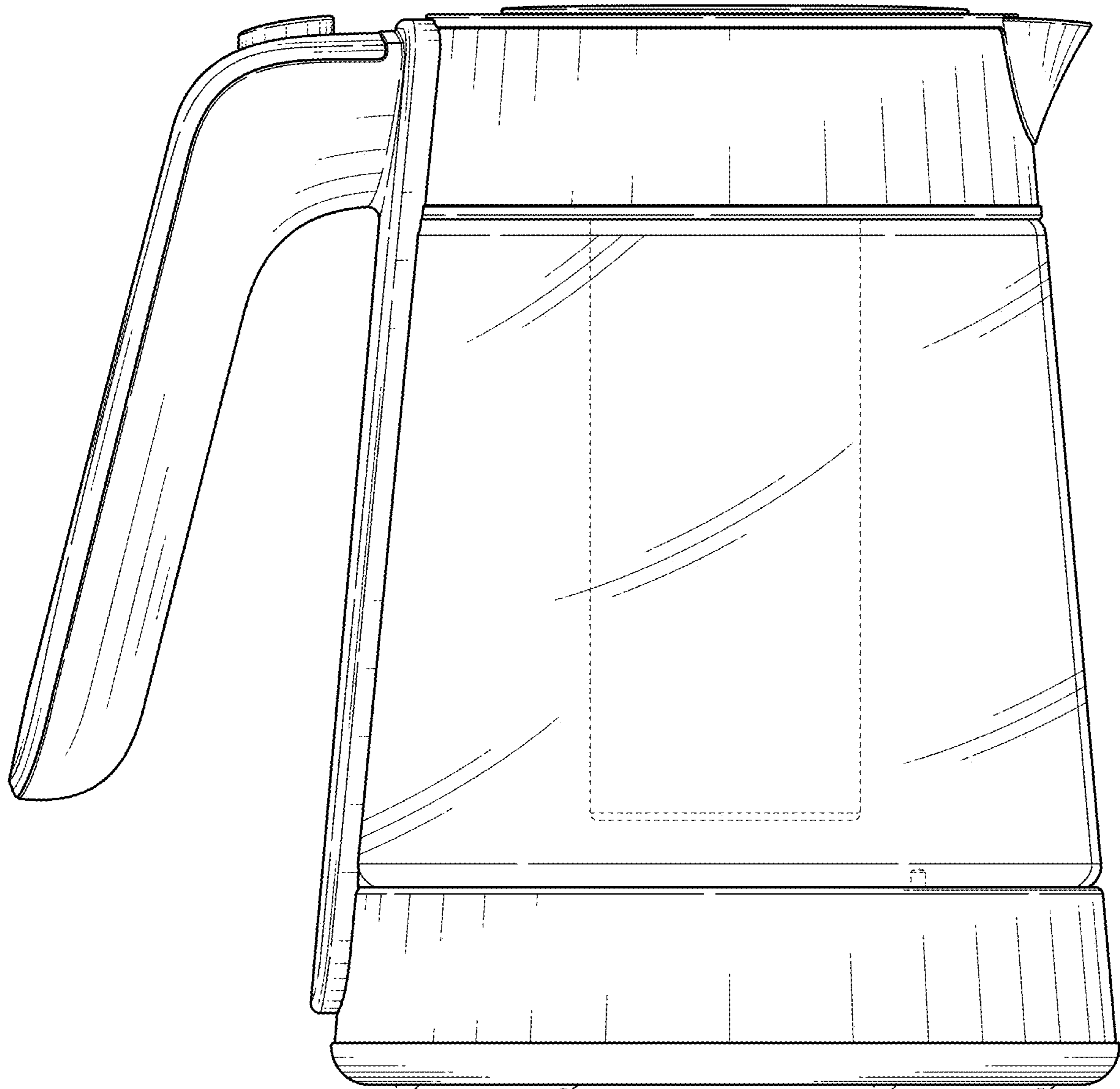


FIG. 4

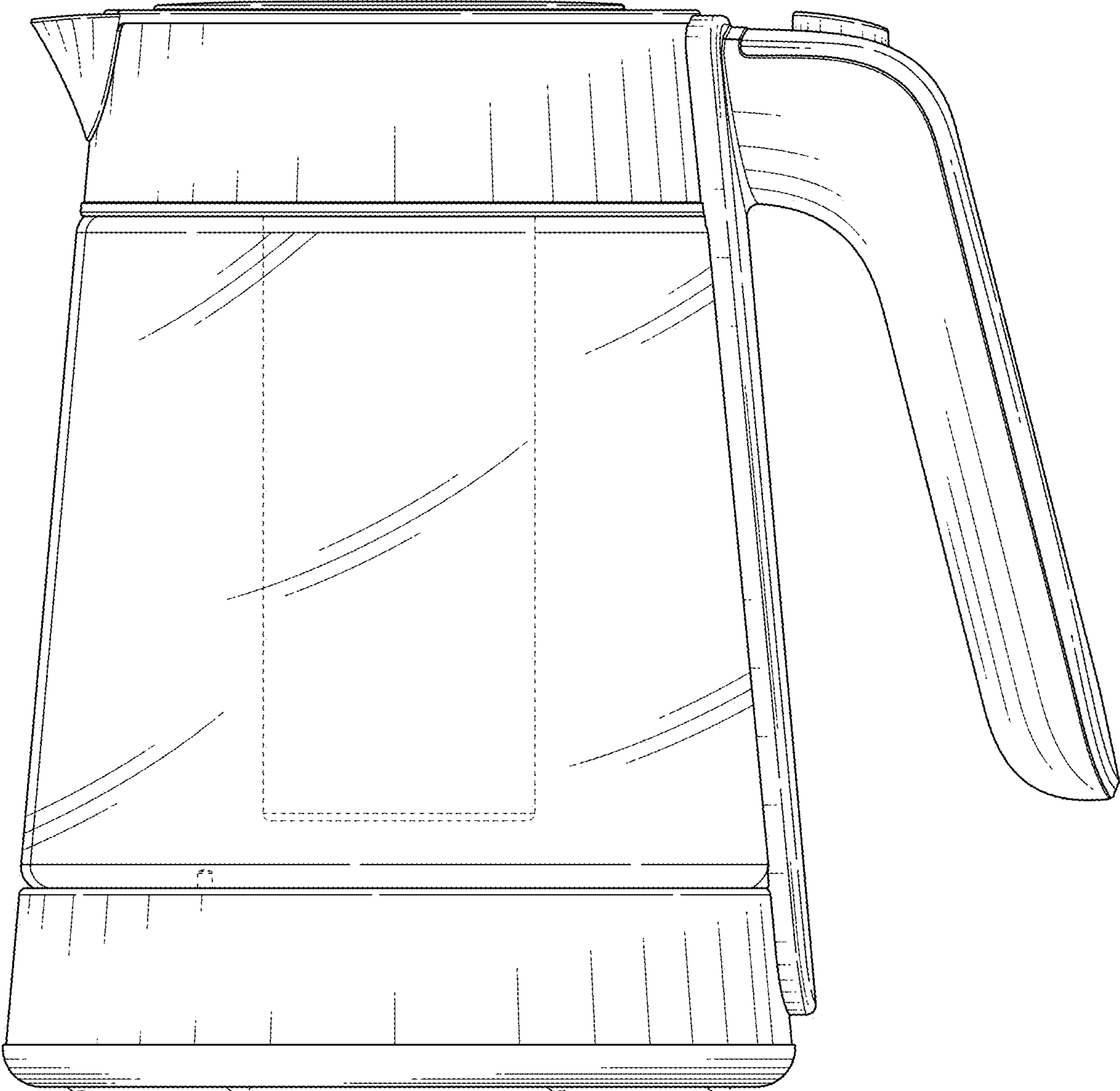


FIG. 5

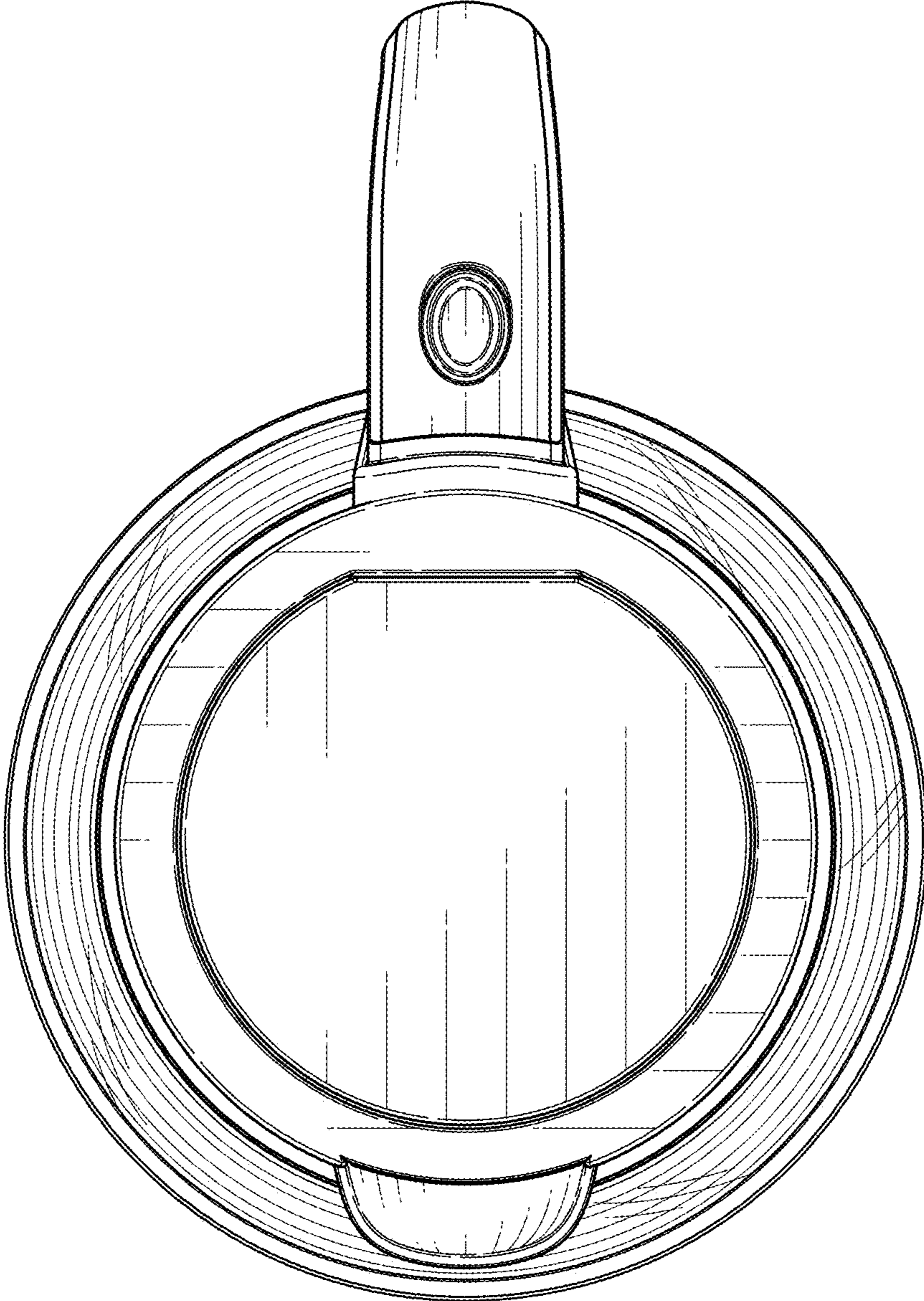


FIG. 6

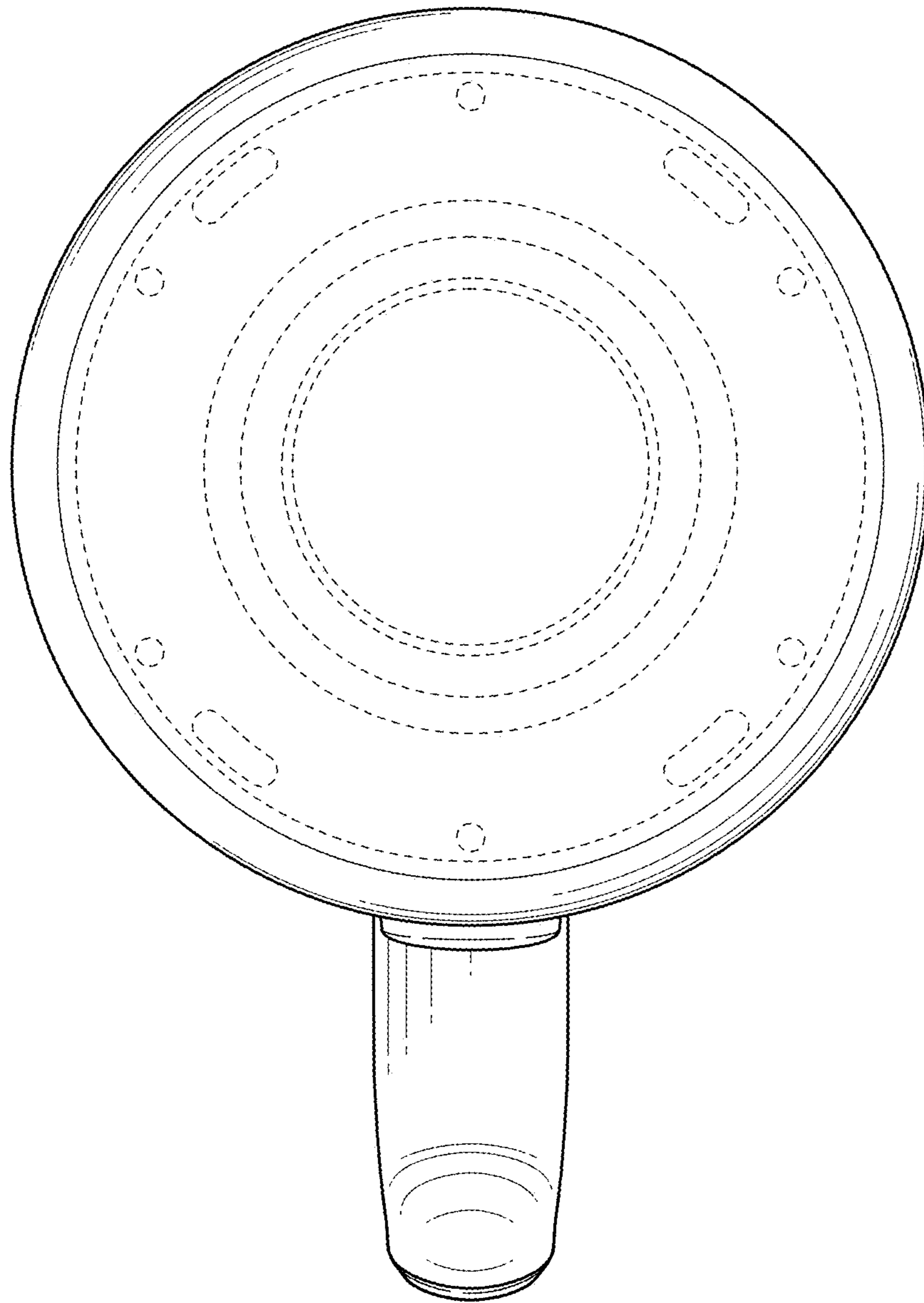


FIG. 7

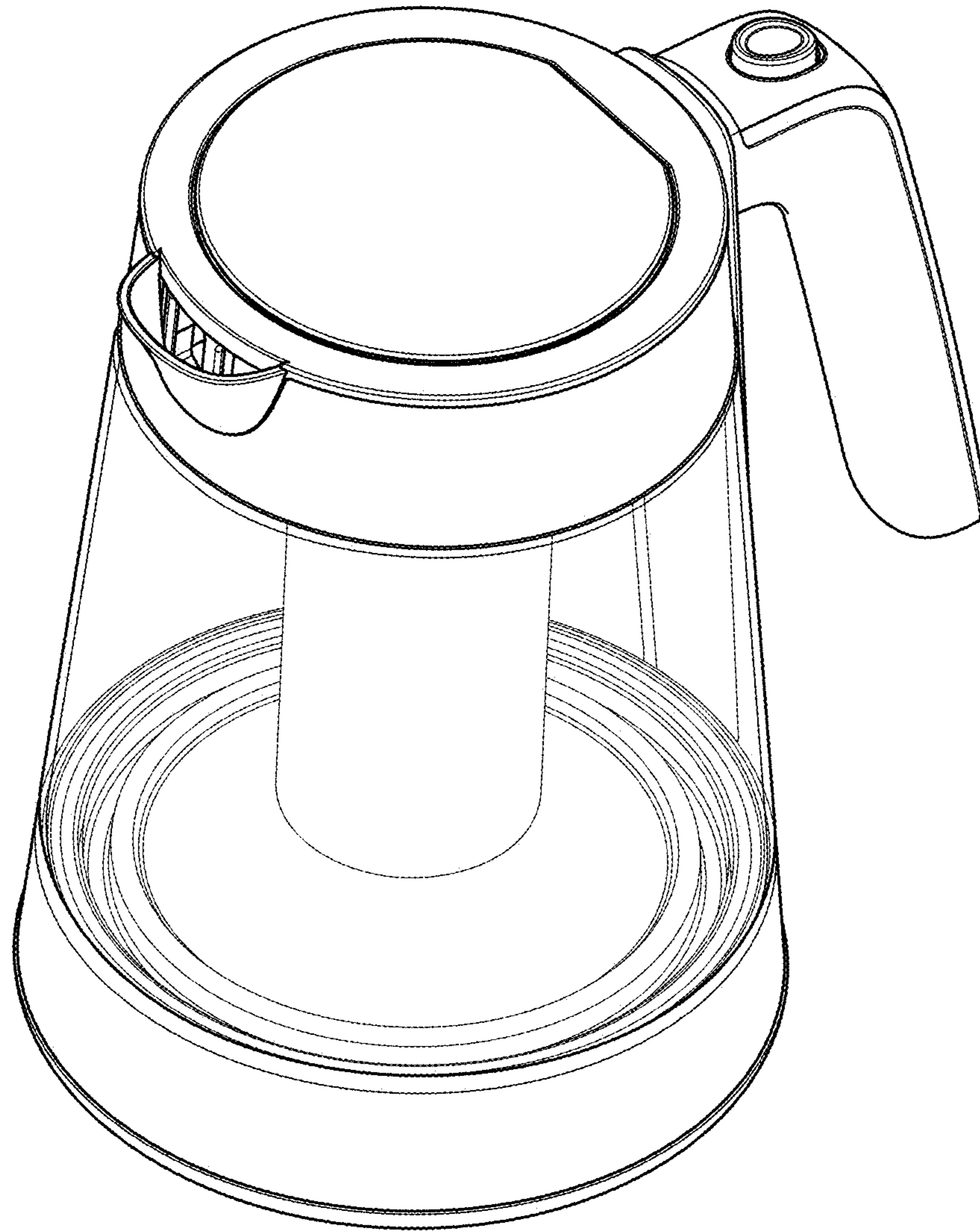


FIG. 8

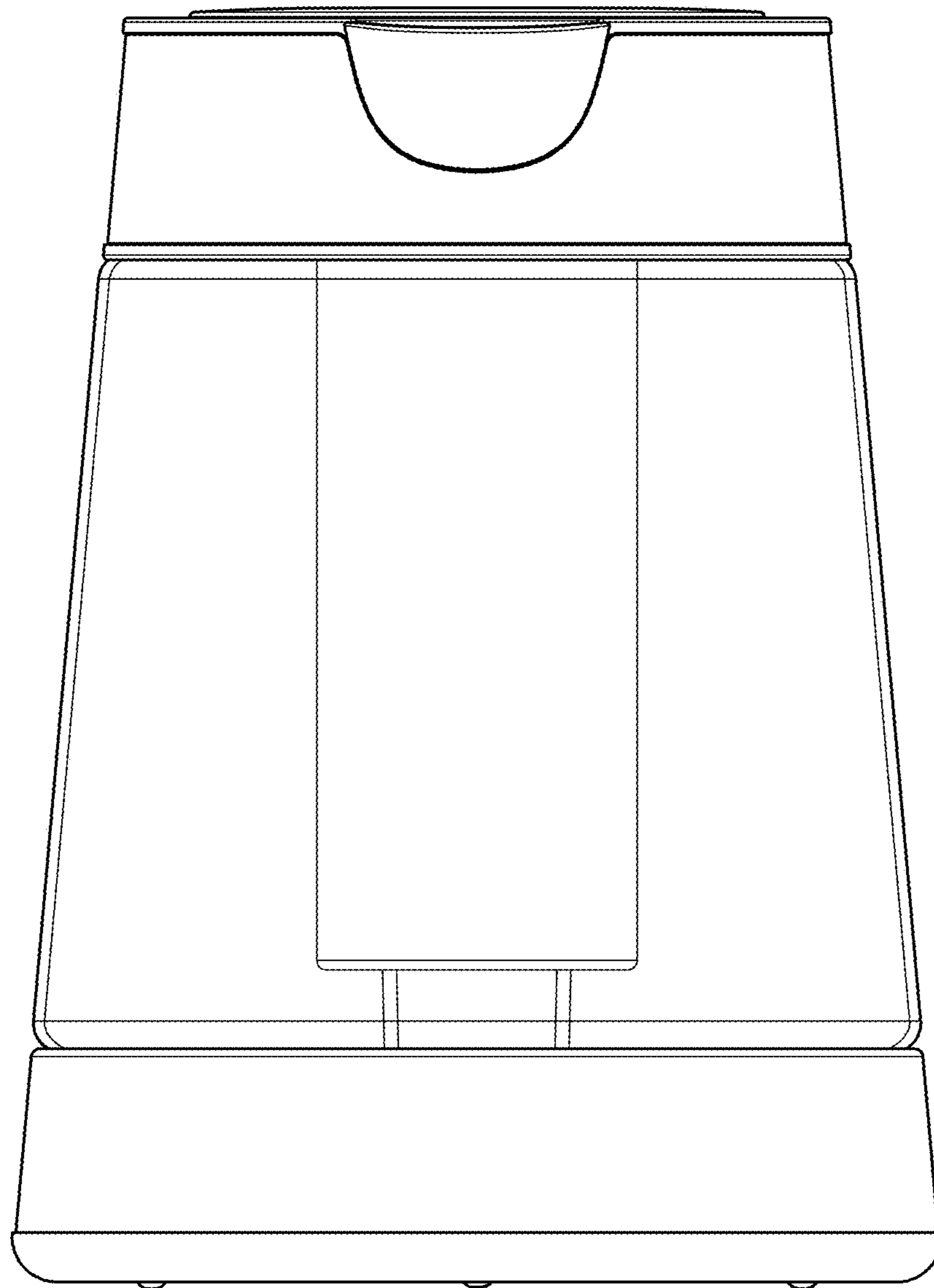


FIG. 9

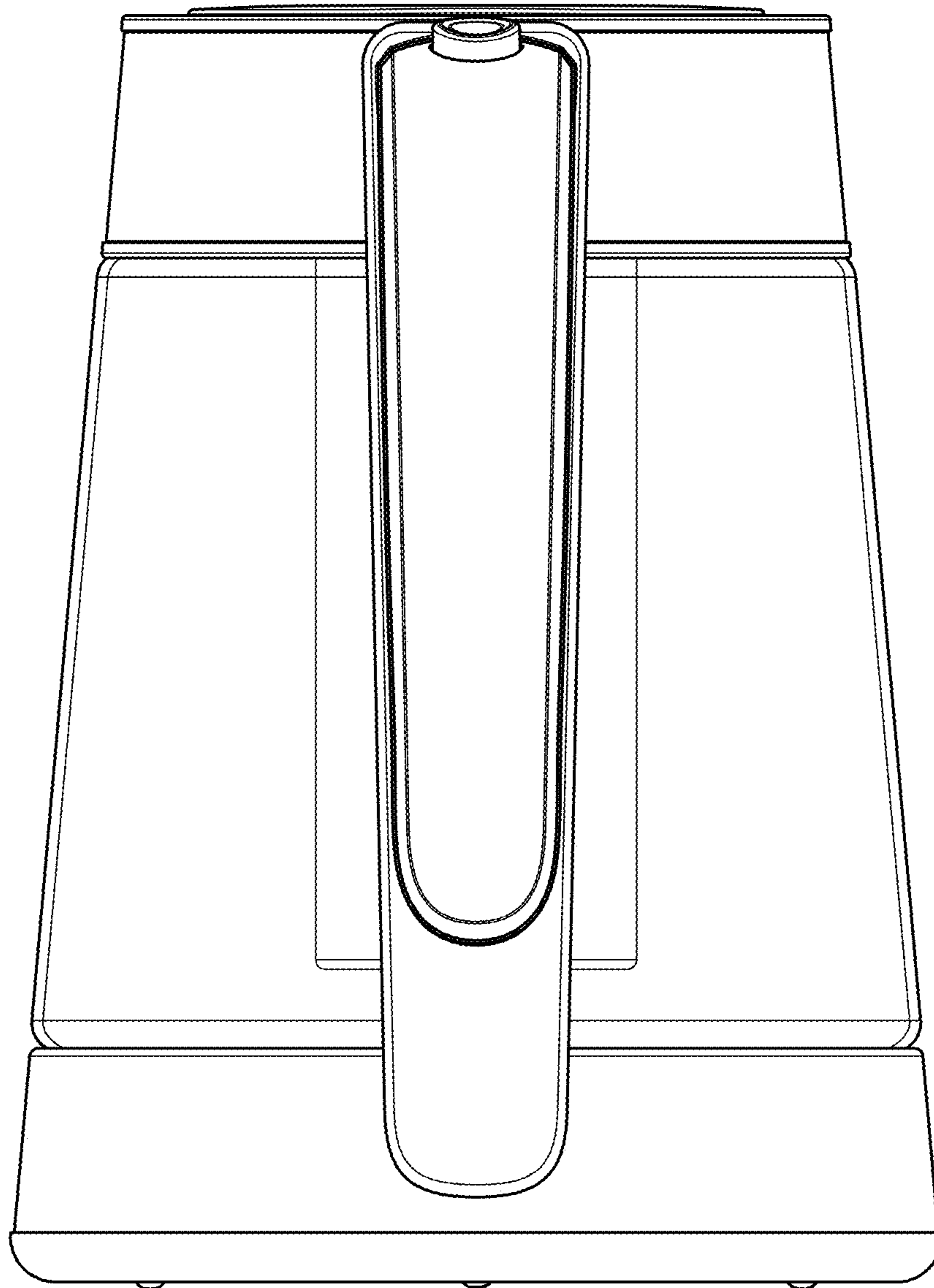


FIG. 10

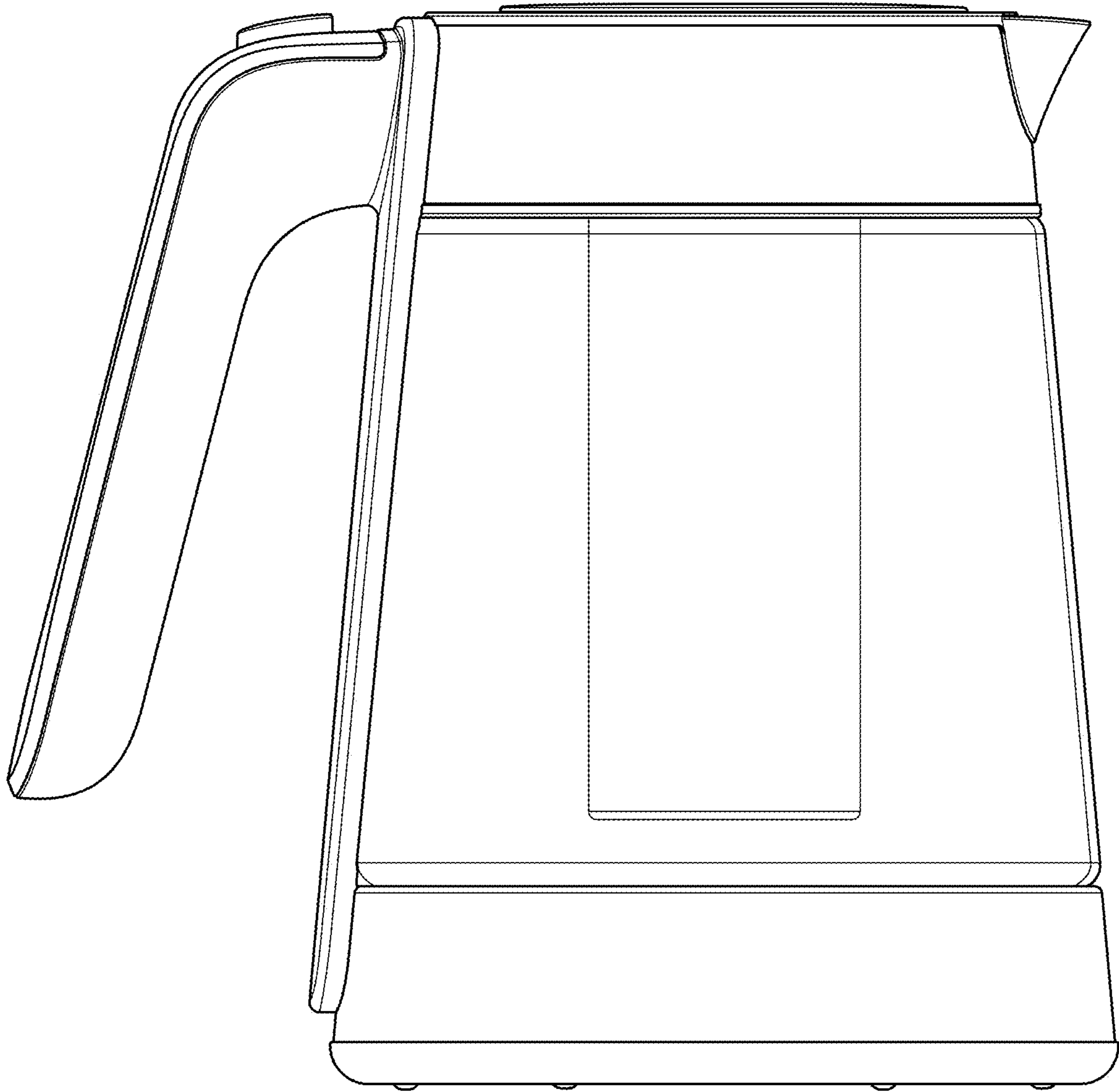


FIG. 11

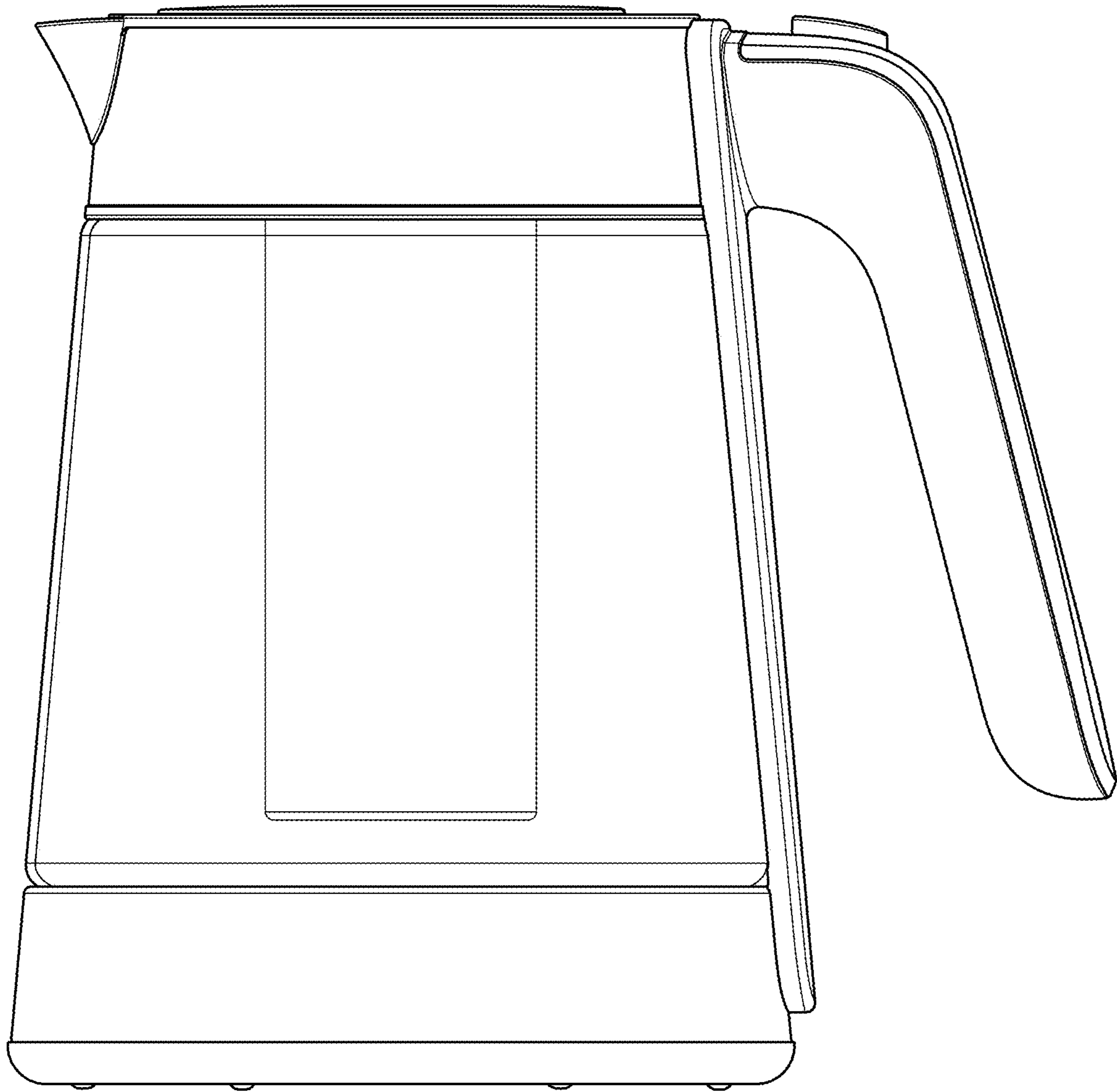


FIG. 12

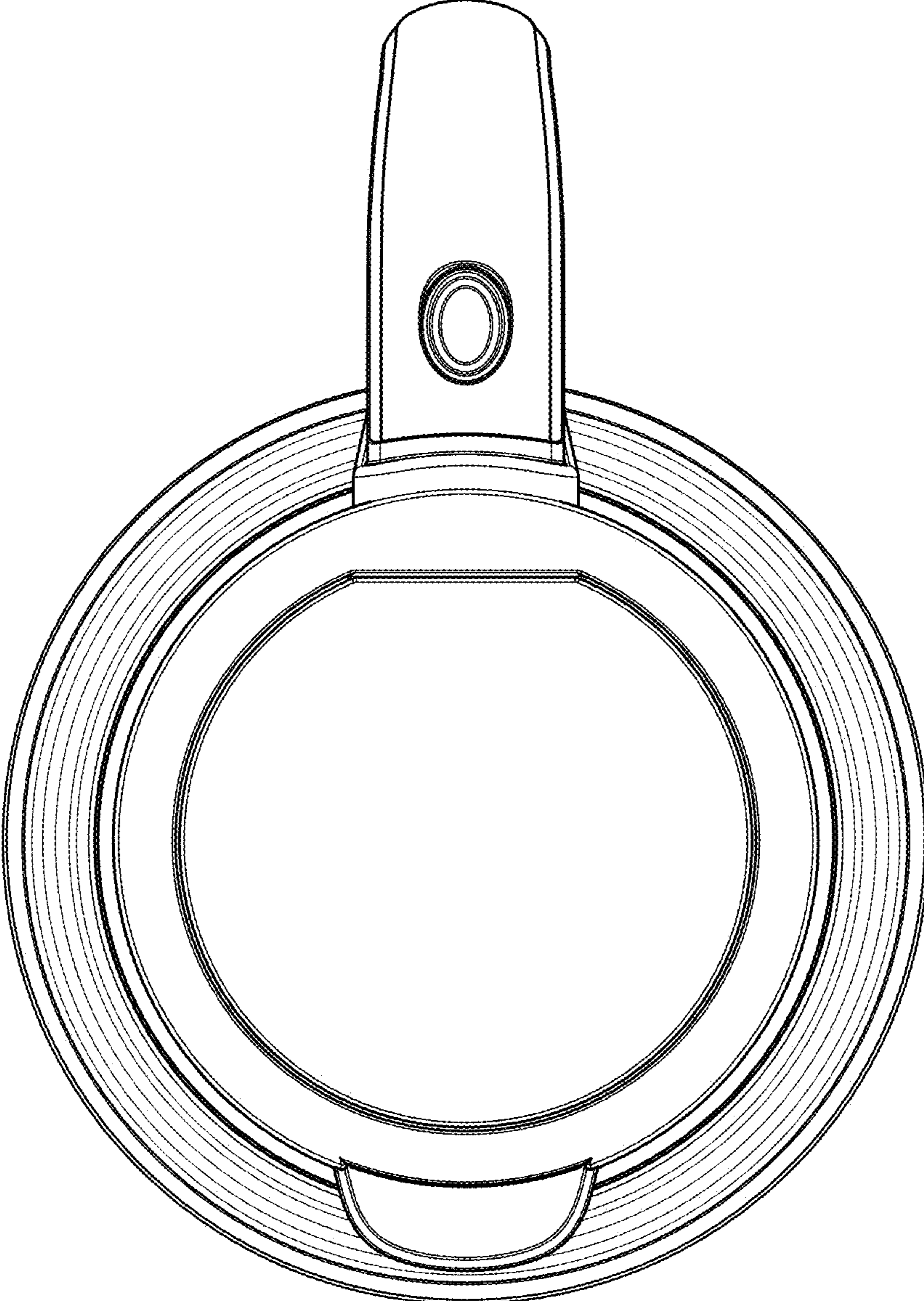


FIG. 13

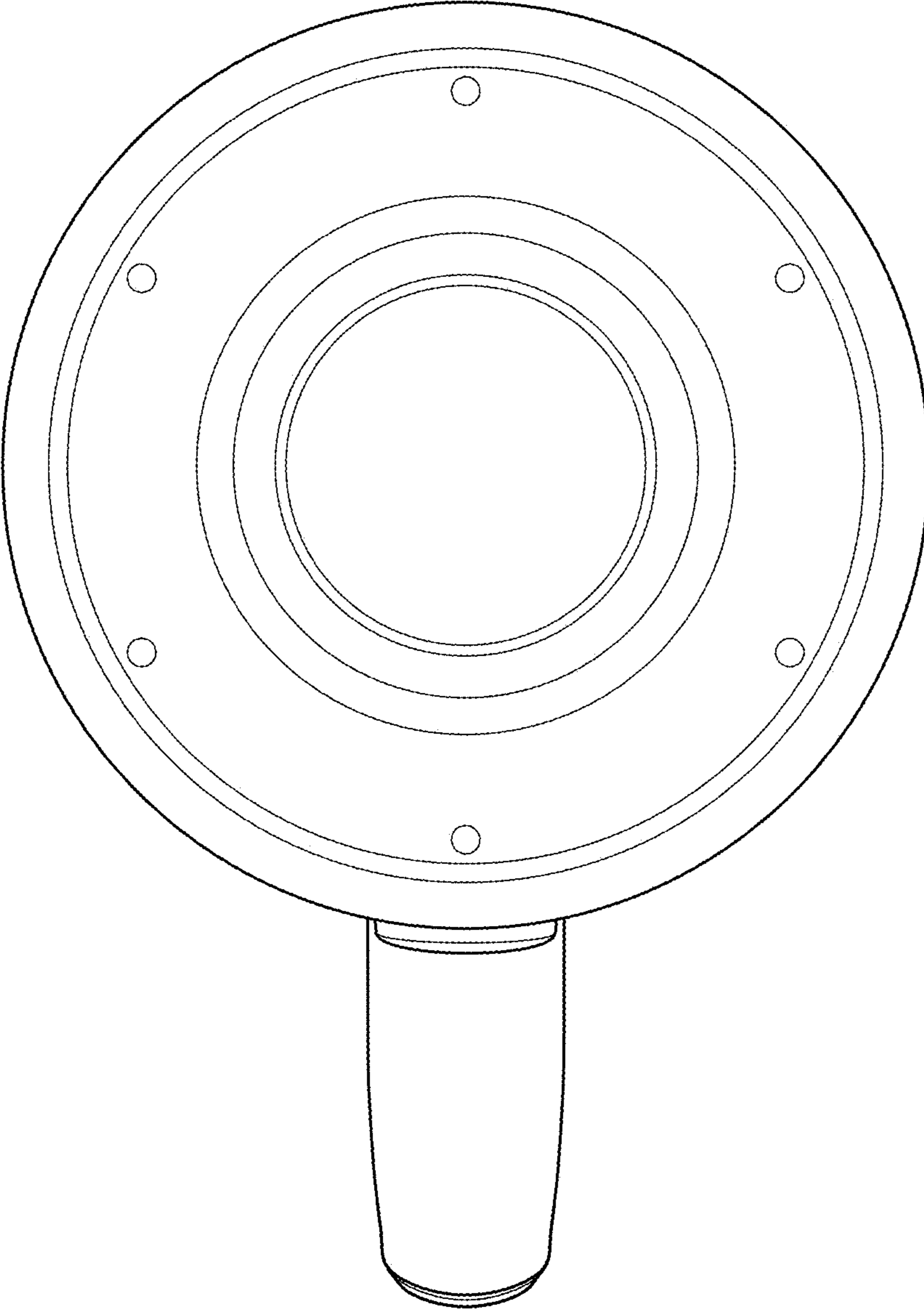


FIG. 14

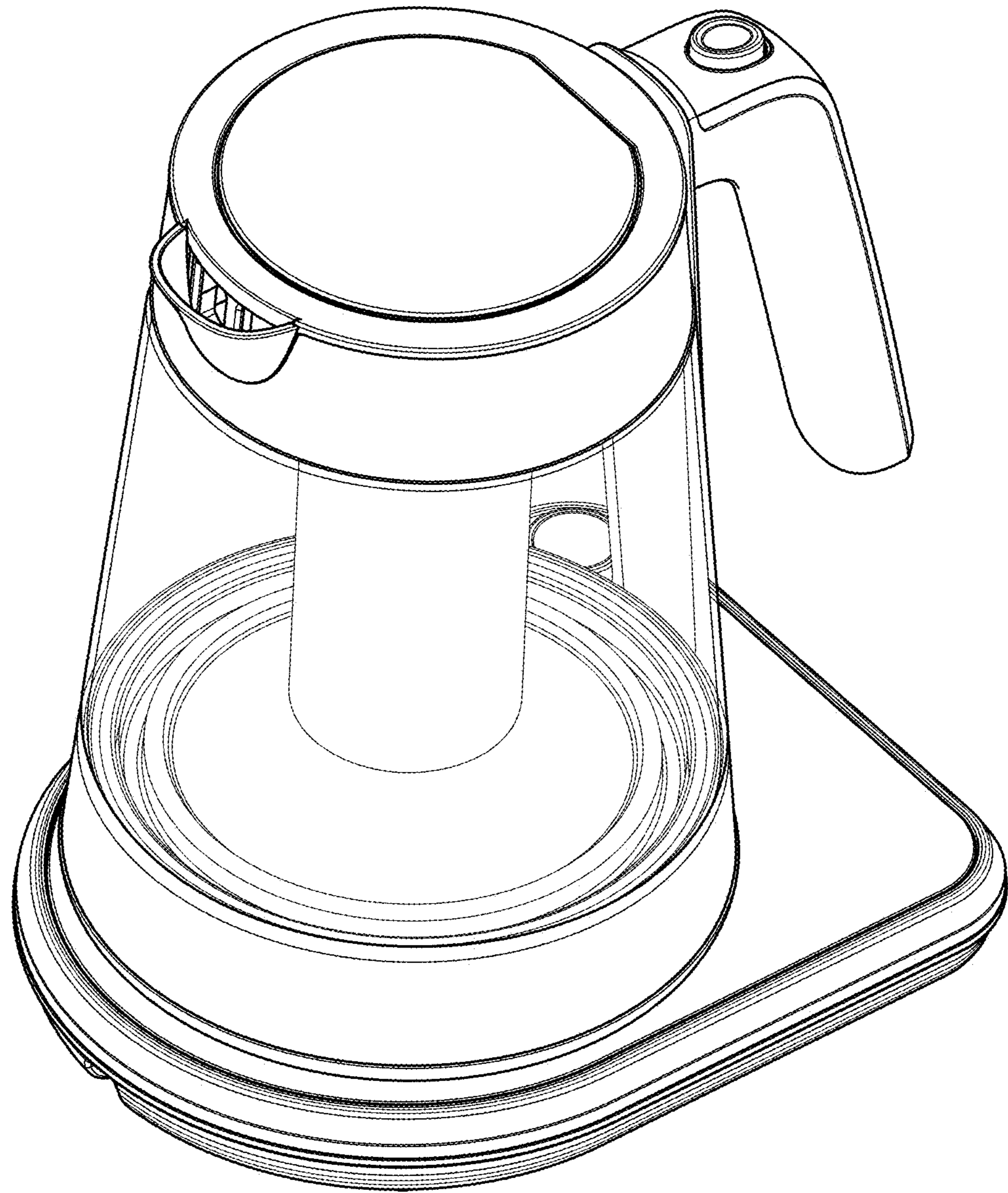


FIG. 15

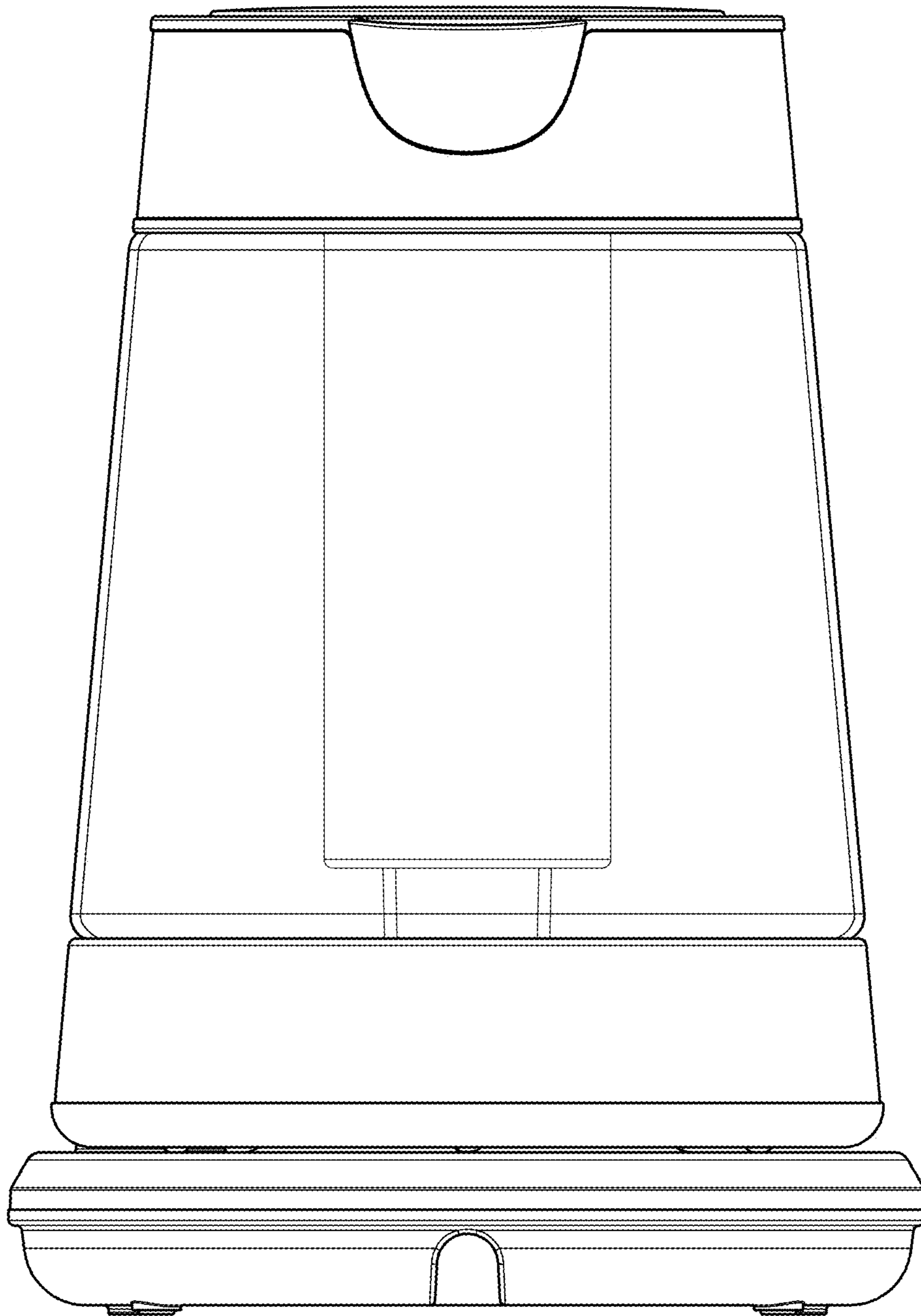


FIG. 16

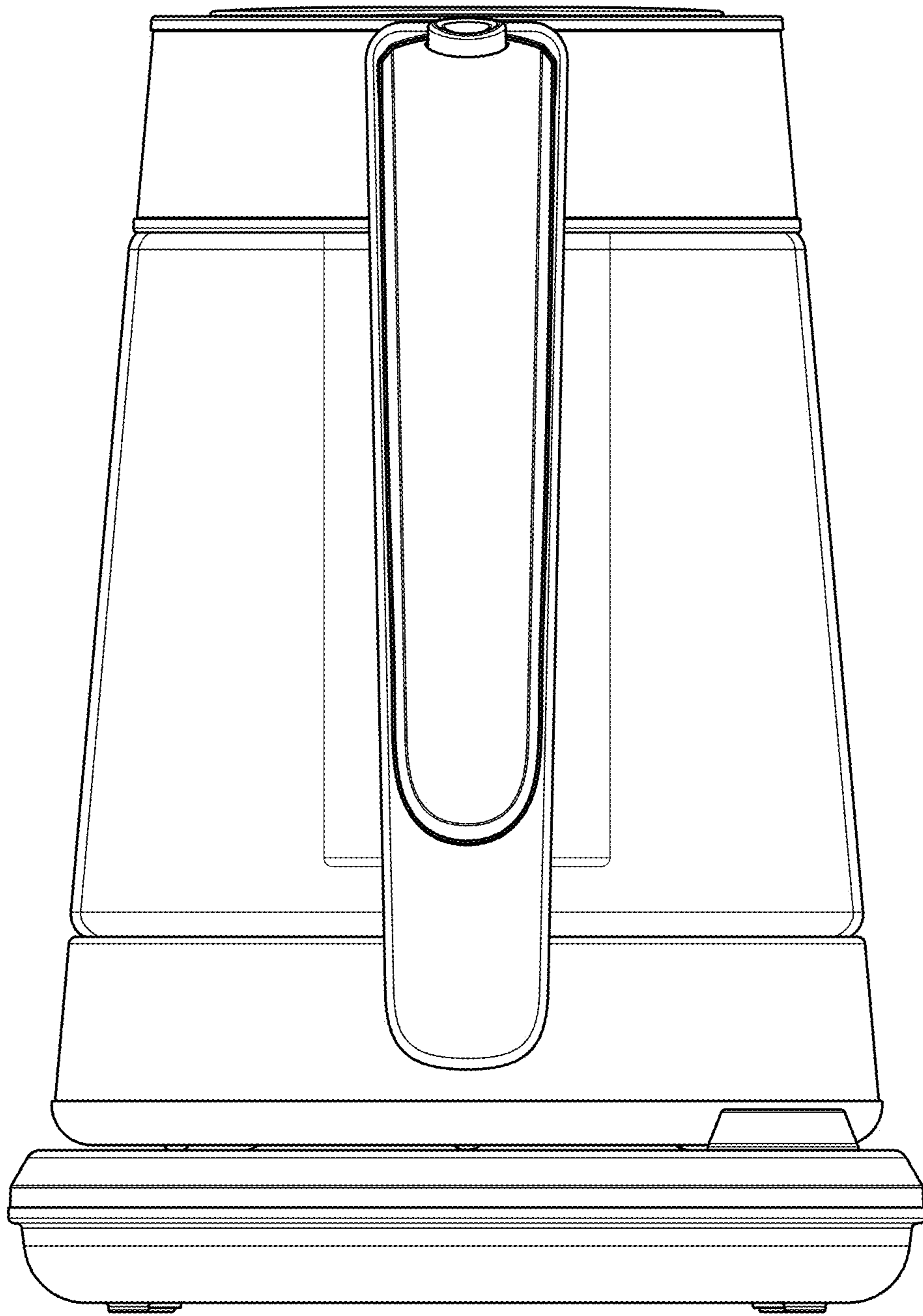


FIG. 17

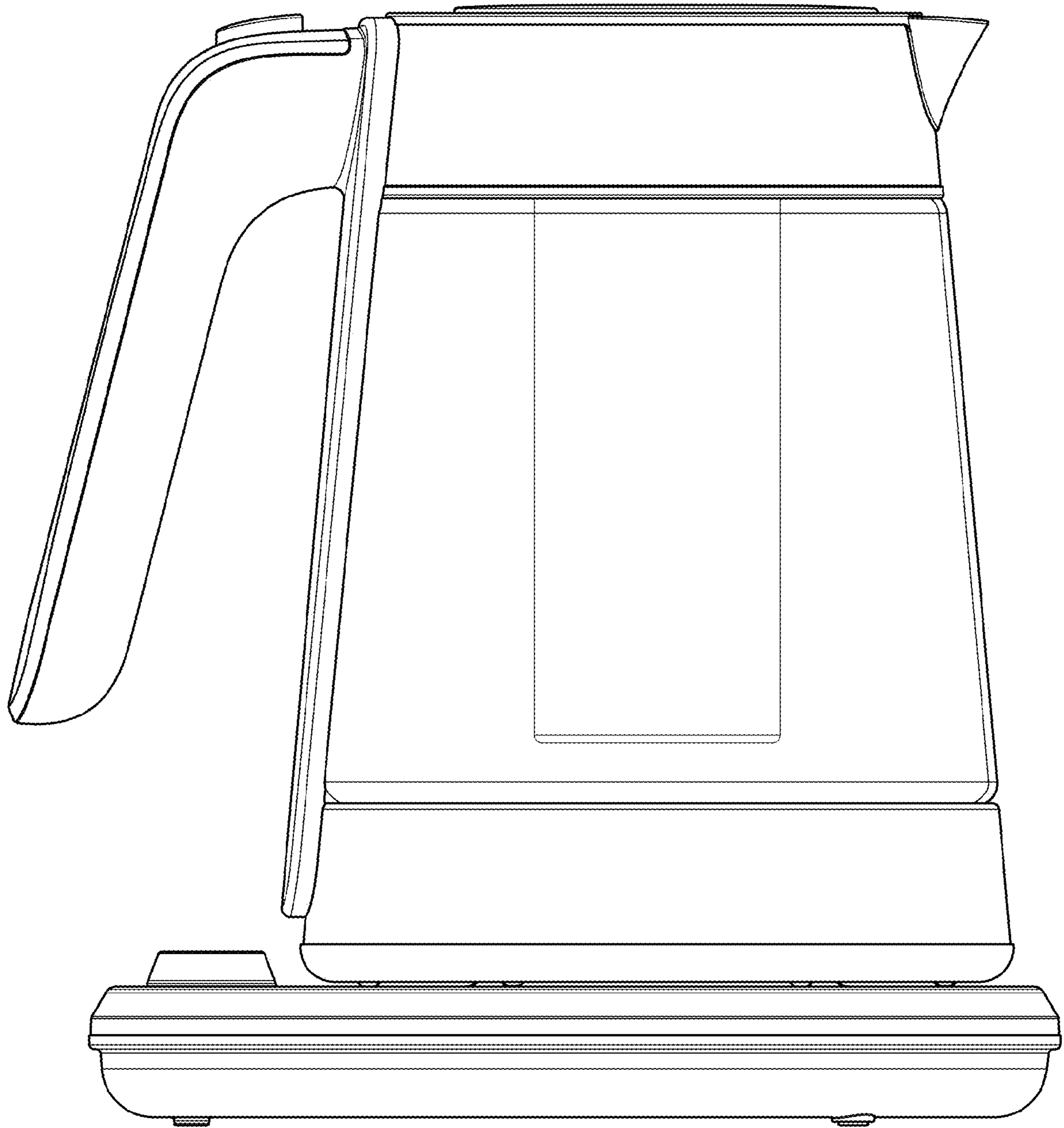


FIG. 18

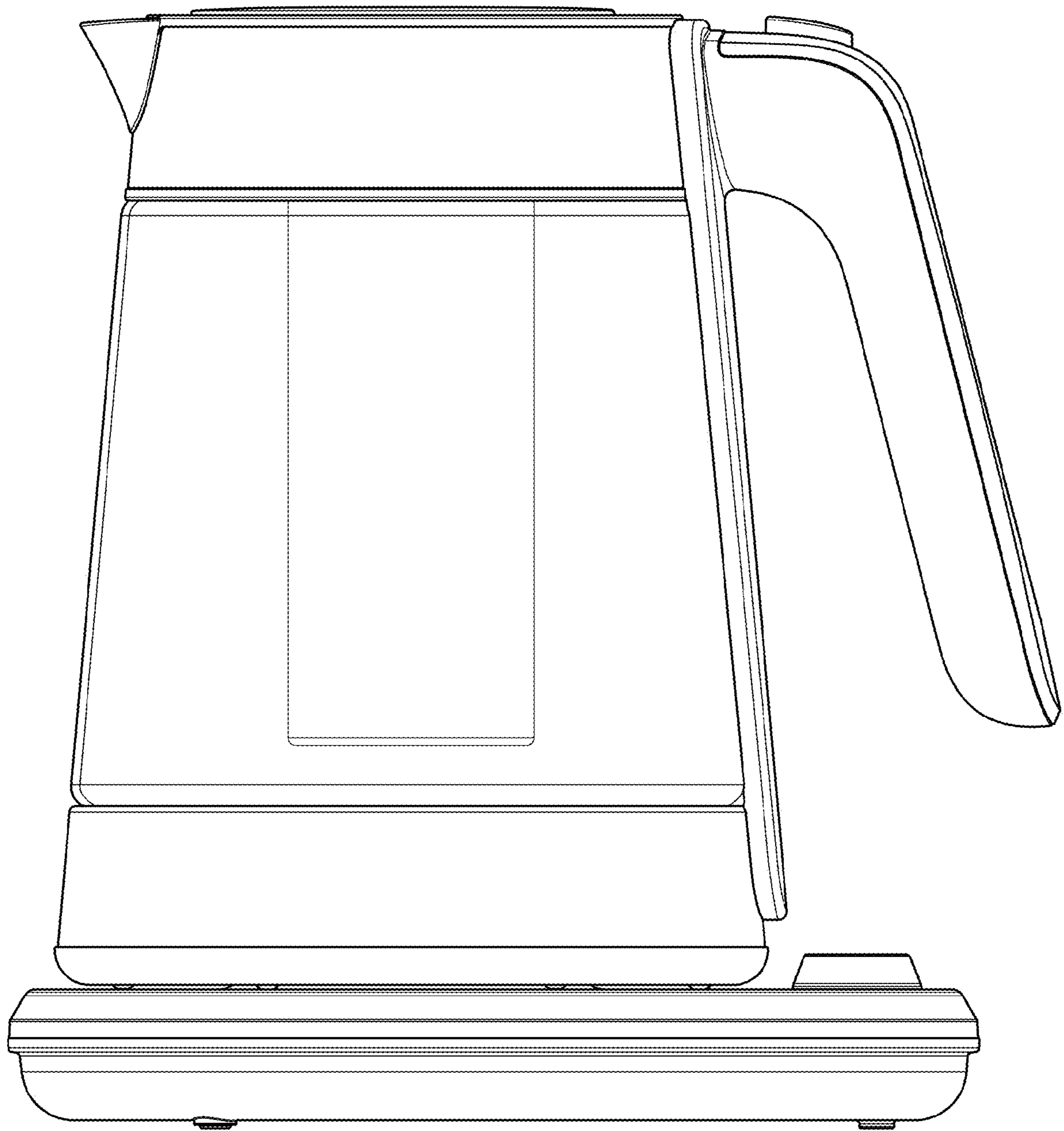


FIG. 19

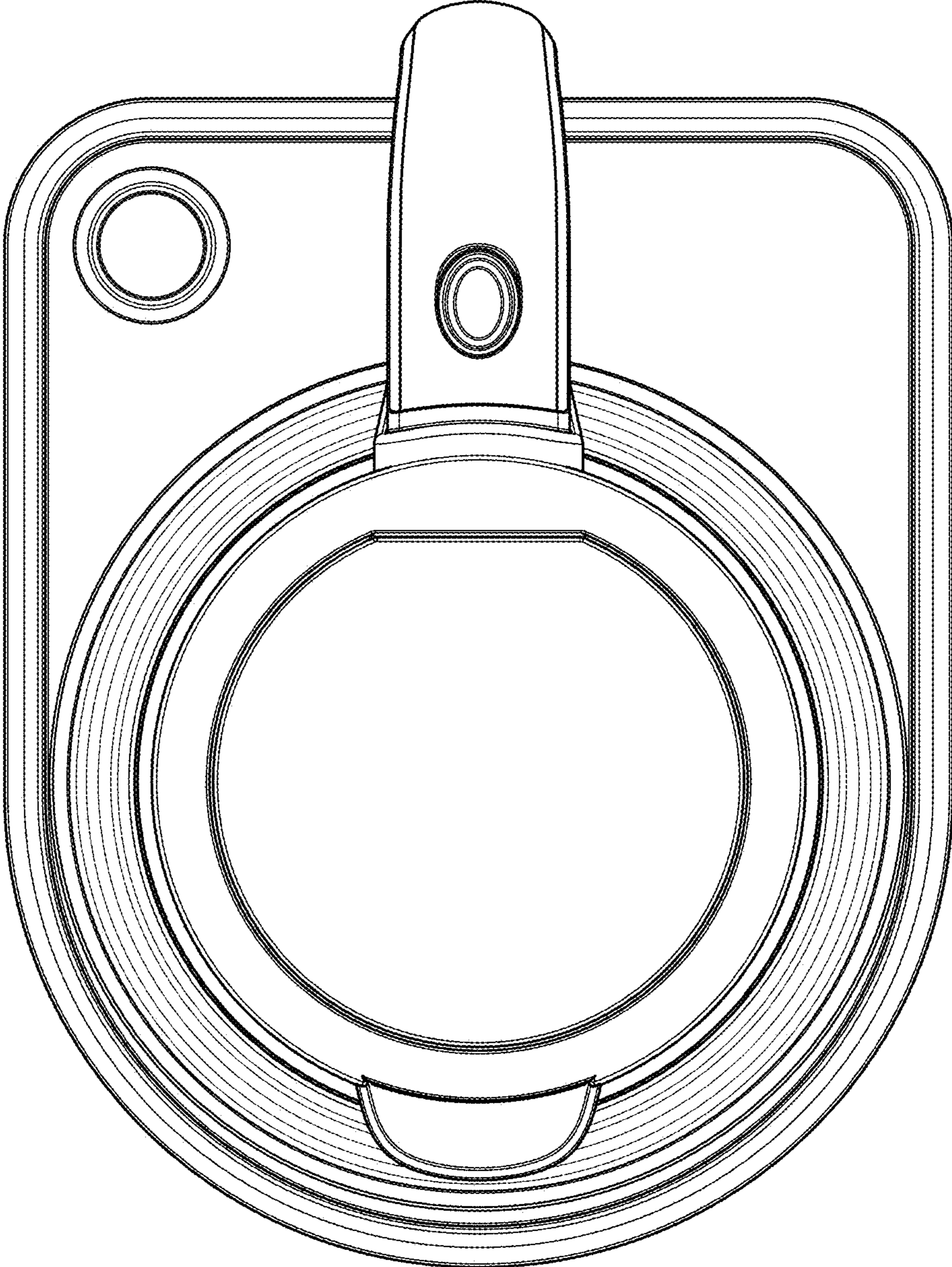


FIG. 20

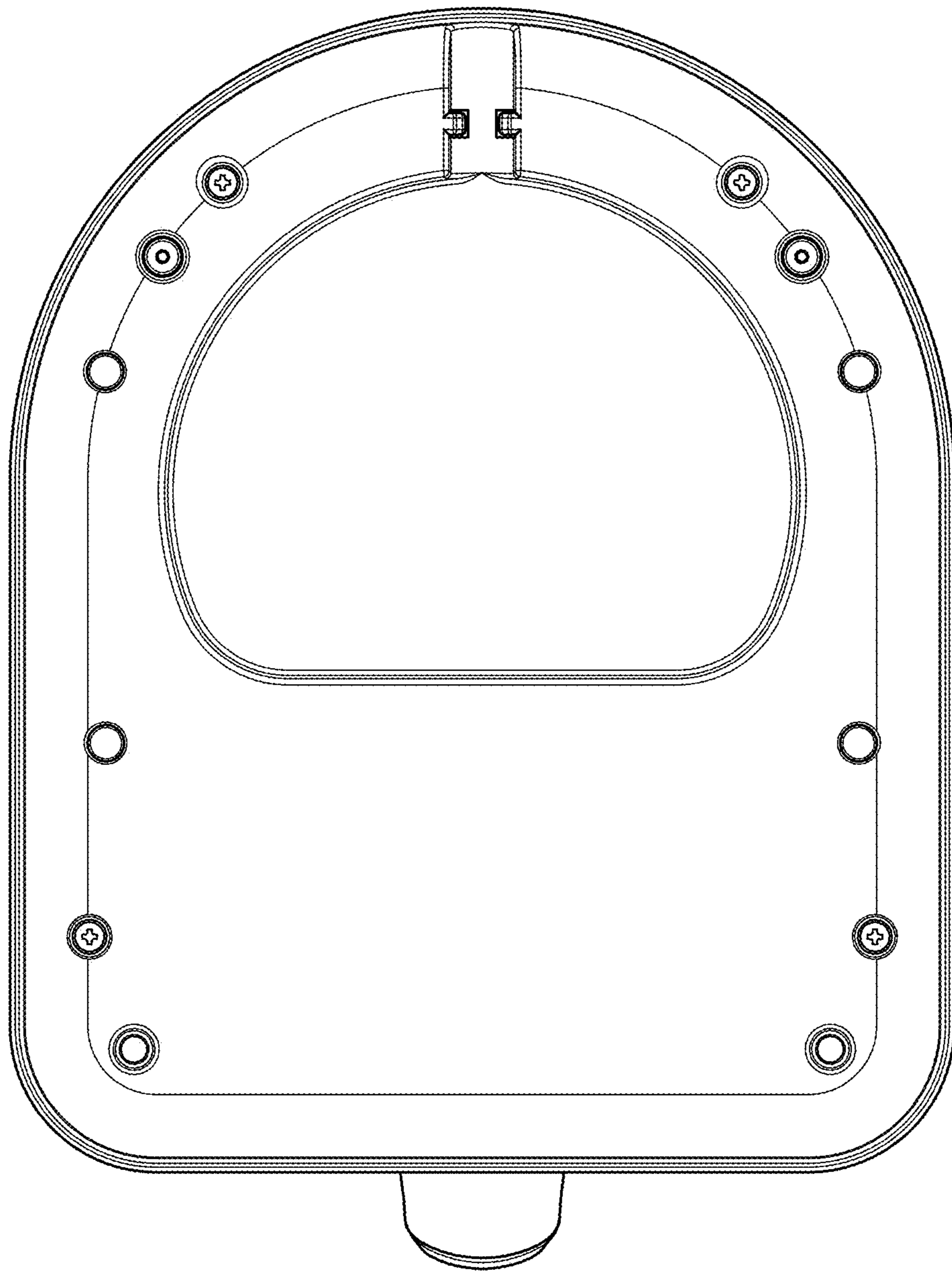


FIG. 21

UNITED STATES PATENT AND TRADEMARK OFFICE
CERTIFICATE OF CORRECTION

PATENT NO. : D985,994 S
APPLICATION NO. : 29/774737
DATED : May 16, 2023
INVENTOR(S) : Kendall Meuwissen

Page 1 of 1

It is certified that error appears in the above-identified patent and that said Letters Patent is hereby corrected as shown below:

On the Title Page

Column 2, under the DESCRIPTION heading, should read:

“FIG. 1 is a front perspective view or” a kettle showing my new design;

FIG. 2 is a front view thereof;

FIG. 3 is a rear view thereof;

FIG. 4 is a left side view thereof;

FIG. 5 is a right side view thereof;

FIG. 6 is atop view thereof;

FIG. 7 is a bottom view thereof;

FIG. 8 is a front perspective view of the kettle of FIGS. 1-7 shown without surface shading and disclaimed regions;

FIG. 9 is a front view thereof;

FIG. 10 is a rear view thereof;

FIG. 11 is a left side view thereof;

FIG. 12 is a right side view thereof;

FIG. 13 is a top view thereof; and

FIG. 14 is a bottom view thereof.”.

Column 2 the indication “1 Claim, 21 Drawing Sheets” should read “1 Claim, 14 drawing sheets.”.

In the Drawings

FIGS. 15-21 should be deleted.

The sheet numbering should be revised to be through number 14.

Signed and Sealed this
Thirteenth Day of February, 2024
Katherine Kelly Vidal

Katherine Kelly Vidal
Director of the United States Patent and Trademark Office