



US00D985993S

(12) **United States Design Patent** (10) **Patent No.:** **US D985,993 S**
Biegeleisen (45) **Date of Patent:** **** May 16, 2023**

(54) **KETTLE**
(71) Applicant: **The Steelstone Group LLC**, Brooklyn, NY (US)
(72) Inventor: **Naphtali H. Biegeleisen**, Brooklyn, NY (US)
(73) Assignee: **The Steelstone Group LLC**, Brooklyn, NY (US)
(**) Term: **15 Years**
(21) Appl. No.: **29/798,782**
(22) Filed: **Jul. 9, 2021**
(51) **LOC (14) Cl.** **07-01**
(52) **U.S. Cl.**
USPC **D7/317**
(58) **Field of Classification Search**
USPC D7/302, 309, 310, 312, 316, 317, 318, D7/319, 320, 321, 322, 334, 397, 393, D7/399
CPC A47G 19/14; A47G 19/16; A47G 19/122; A47G 19/12; A47J 27/21; A47J 31/20; A47J 31/02; A47J 31/18; A47J 27/21008; A47J 27/21166; A47J 31/14; A47J 27/2105; A47J 31/16; A47J 31/06; A47J 37/0786; A47J 27/21091; A47J 27/14; A47J 27/022; A47J 31/303; A47J 45/078; A47J 45/067; A47J 27/21083; A47J 27/21191; A47J 27/21175; A47J 27/212; A47J 31/053
See application file for complete search history.

(56) **References Cited**
U.S. PATENT DOCUMENTS
D553,898 S * 10/2007 De' Longhi H05B 1/0269 D7/312
D595,534 S * 7/2009 Mankowitz H05B 6/6408 D7/319

D622,090 S * 8/2010 Bodum A47J 27/2105 D7/319
D666,865 S * 9/2012 Spivey D7/319
D680,792 S * 4/2013 Bodum D7/319
D747,130 S * 1/2016 Kunz D7/319
D777,500 S * 1/2017 Lee D7/319
D797,488 S * 9/2017 Silsby D7/319
D815,874 S * 4/2018 Chung D7/319
D829,034 S * 9/2018 Barquin D7/318
D856,732 S * 8/2019 Ren D7/318
D856,734 S * 8/2019 Lee D7/318
D864,646 S * 10/2019 Josancy D7/319
D878,848 S * 3/2020 Hu D7/317
D943,334 S * 2/2022 Wu D7/319
D953,088 S * 5/2022 Seo D7/318
D957,863 S * 7/2022 Zhang D7/319
2016/0045056 A1 * 2/2016 Kent H05B 6/6408 219/731

(Continued)

FOREIGN PATENT DOCUMENTS

CN 306960931 * 8/2021
Primary Examiner — Joseph Kukella
Assistant Examiner — Darryl J Dardenne
(74) *Attorney, Agent, or Firm* — Myers Wolin, LLC

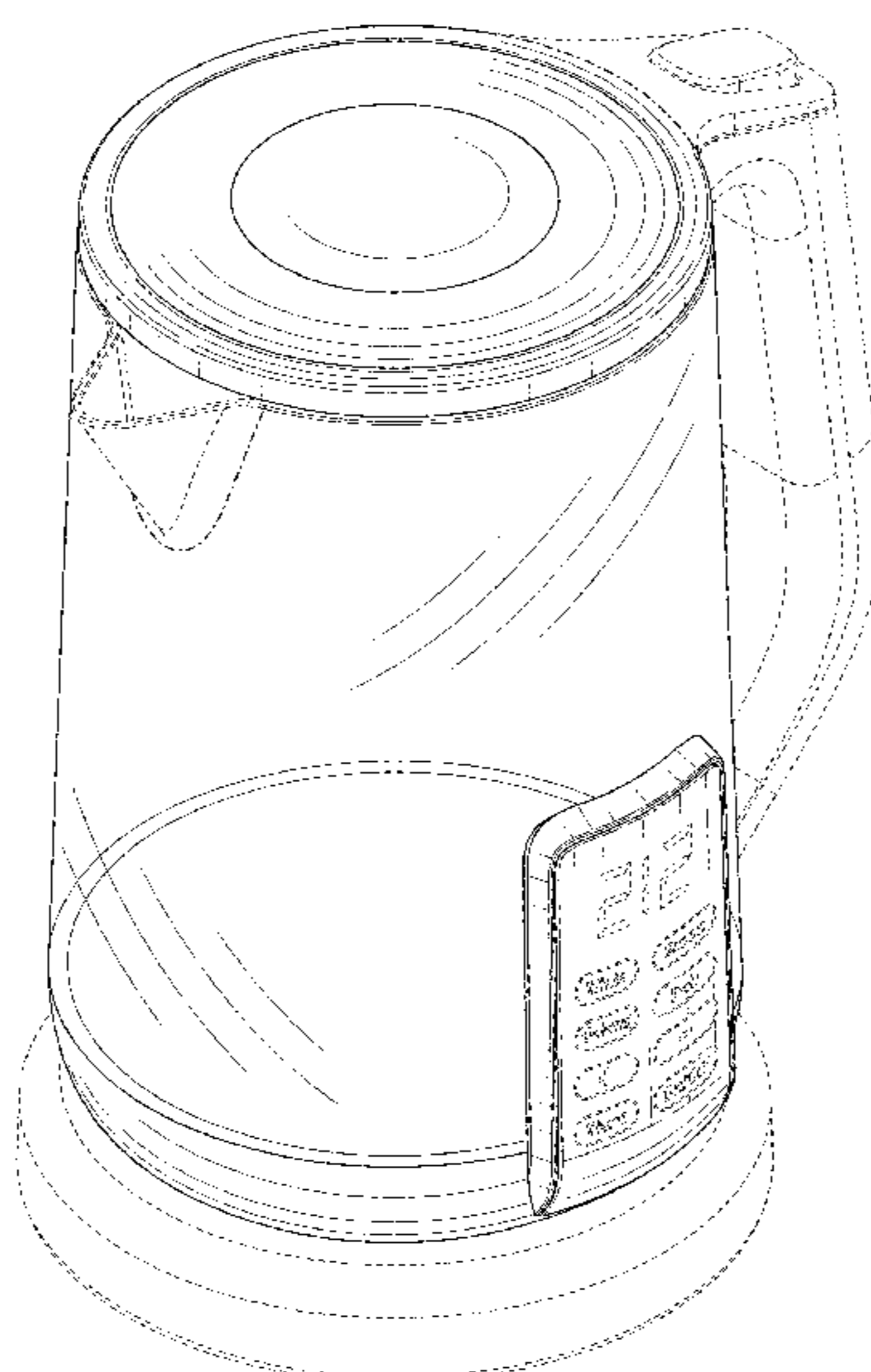
(57) **CLAIM**

The ornamental design for a kettle, as shown and described.

DESCRIPTION

FIG. 1 is a front perspective view of a first embodiment of a kettle showing my new design;
FIG. 2 is a front elevation view thereof;
FIG. 3 is a rear elevation view thereof;
FIG. 4 is a left side elevation view thereof;
FIG. 5 is a right side elevation view thereof;
FIG. 6 is a top plan view thereof; and,
FIG. 7 is a bottom plan view thereof.
The broken lines illustrate portions of the kettle that form no part of the claimed design.

1 Claim, 7 Drawing Sheets



(56)

References Cited

U.S. PATENT DOCUMENTS

2020/0297148 A1* 9/2020 Park H05B 1/0269
2022/0151426 A1* 5/2022 Hewins A47J 27/2105

* cited by examiner

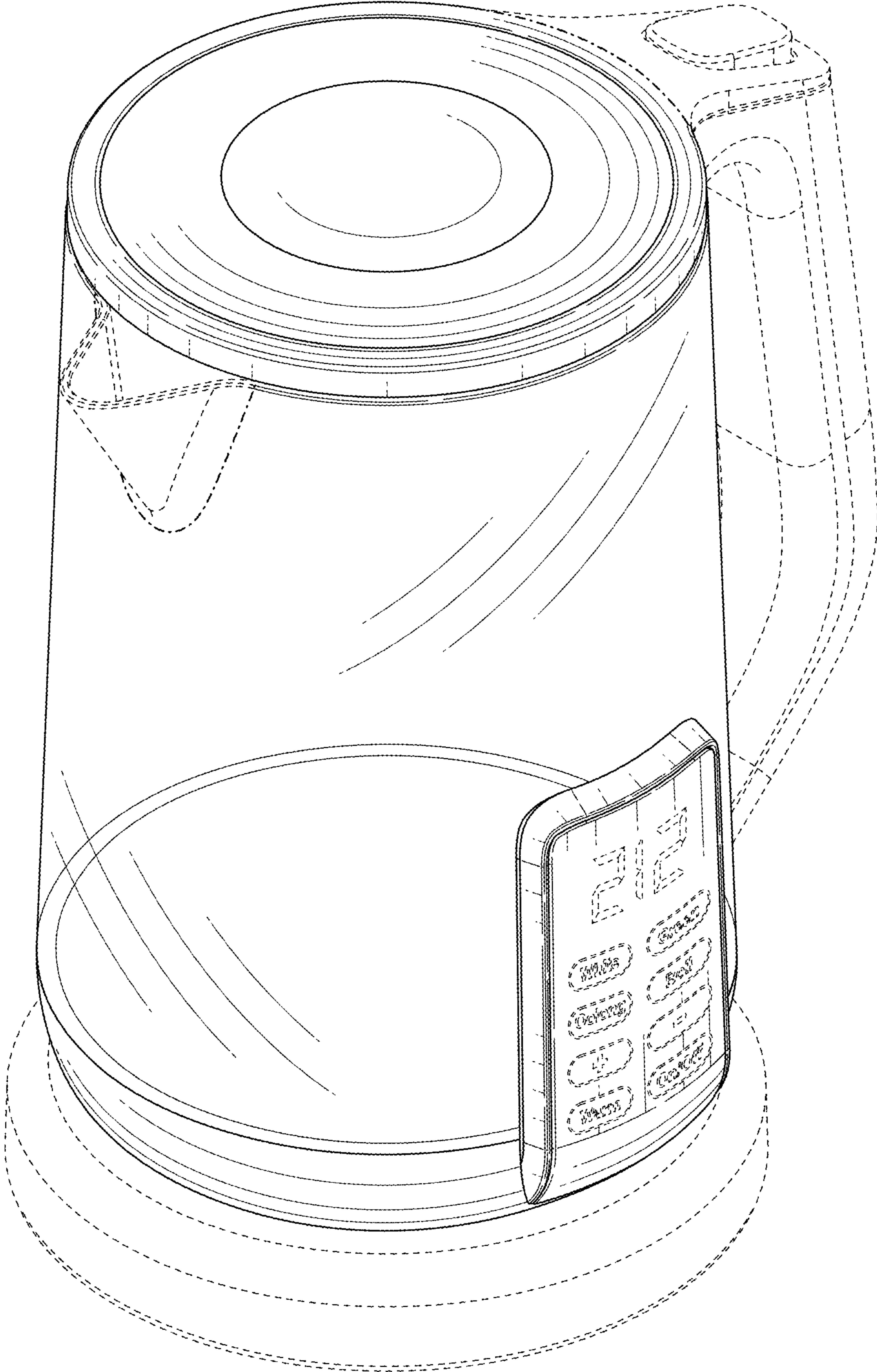


FIG. 1

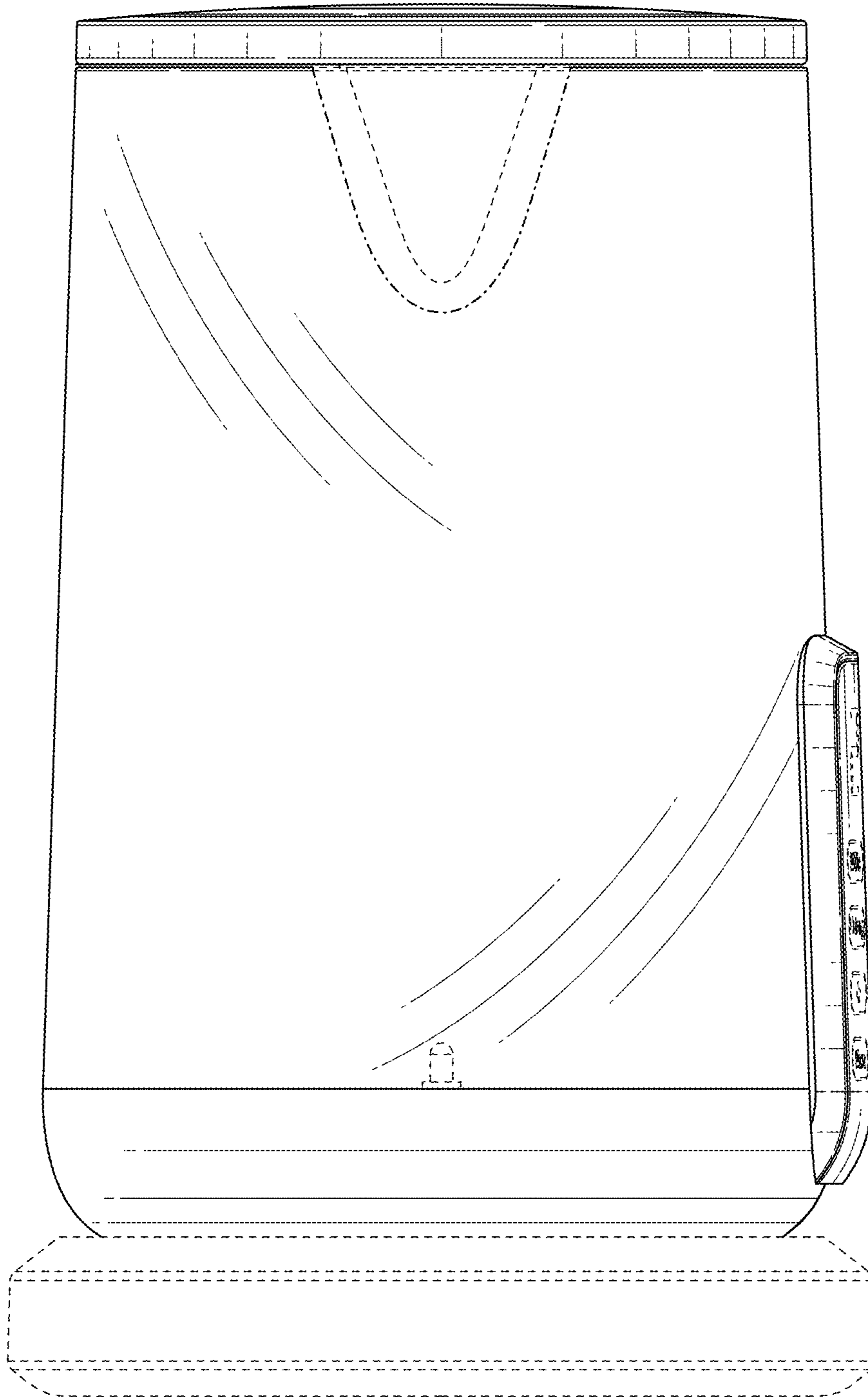


FIG. 2

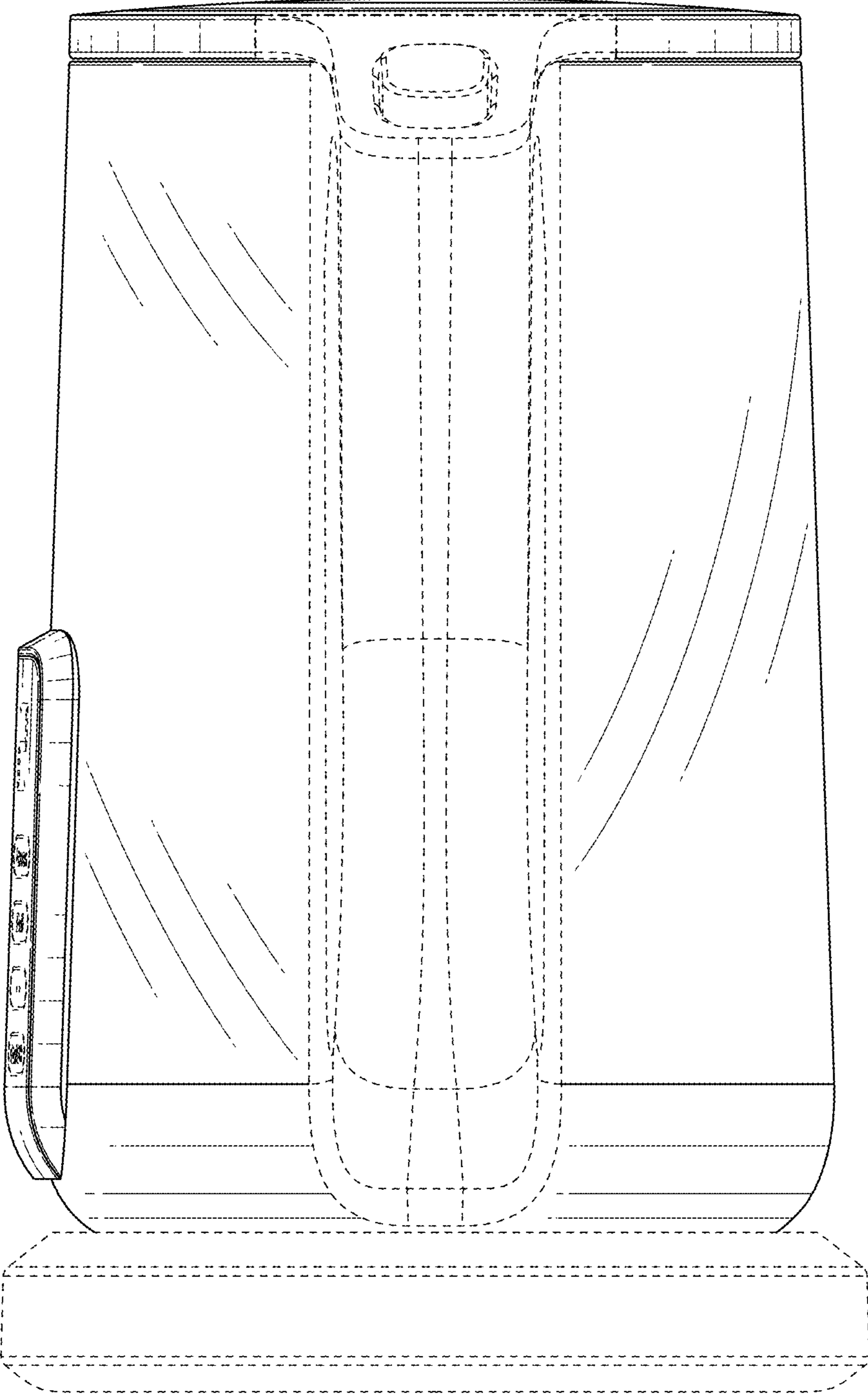


FIG. 3

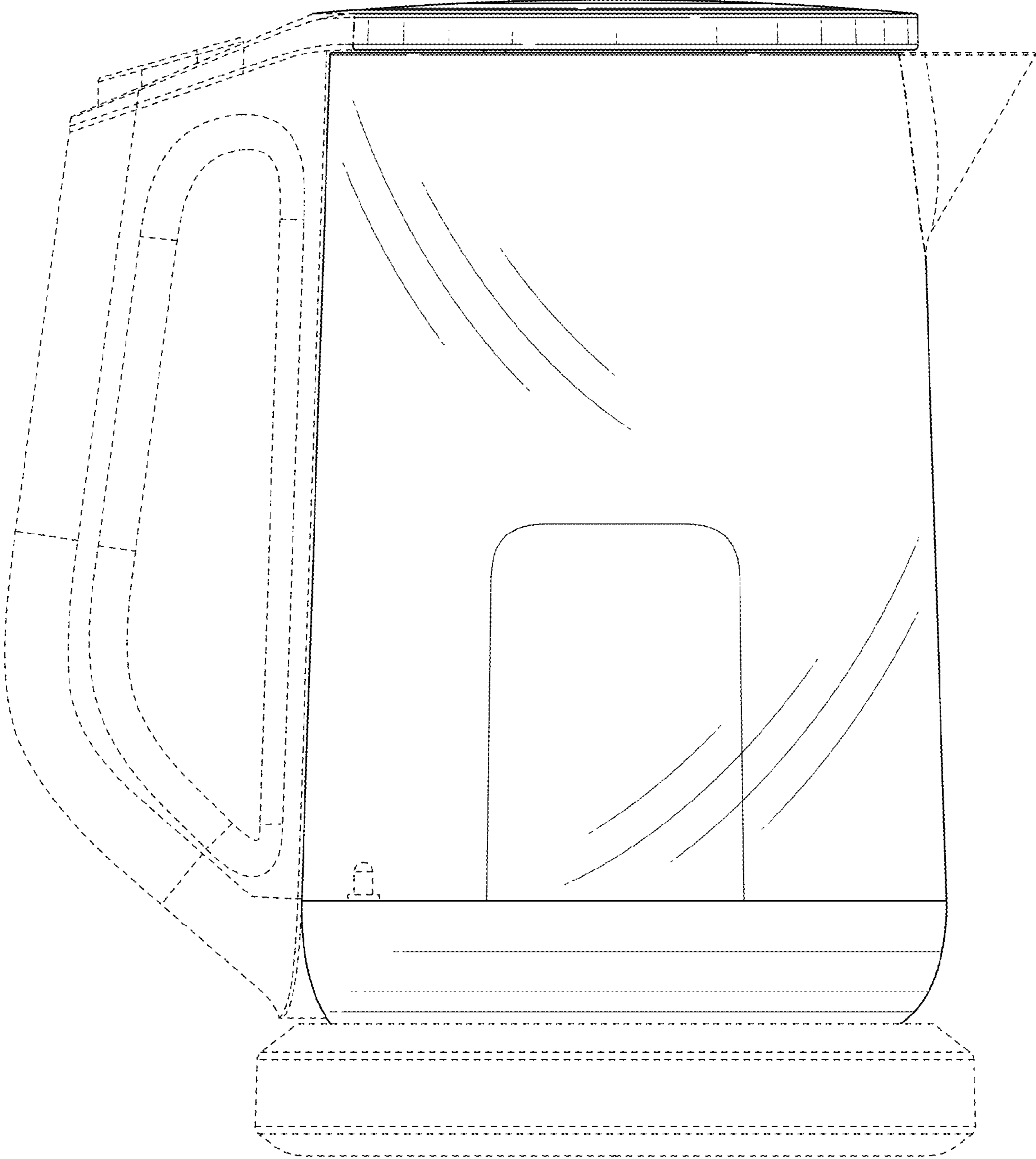


FIG. 4

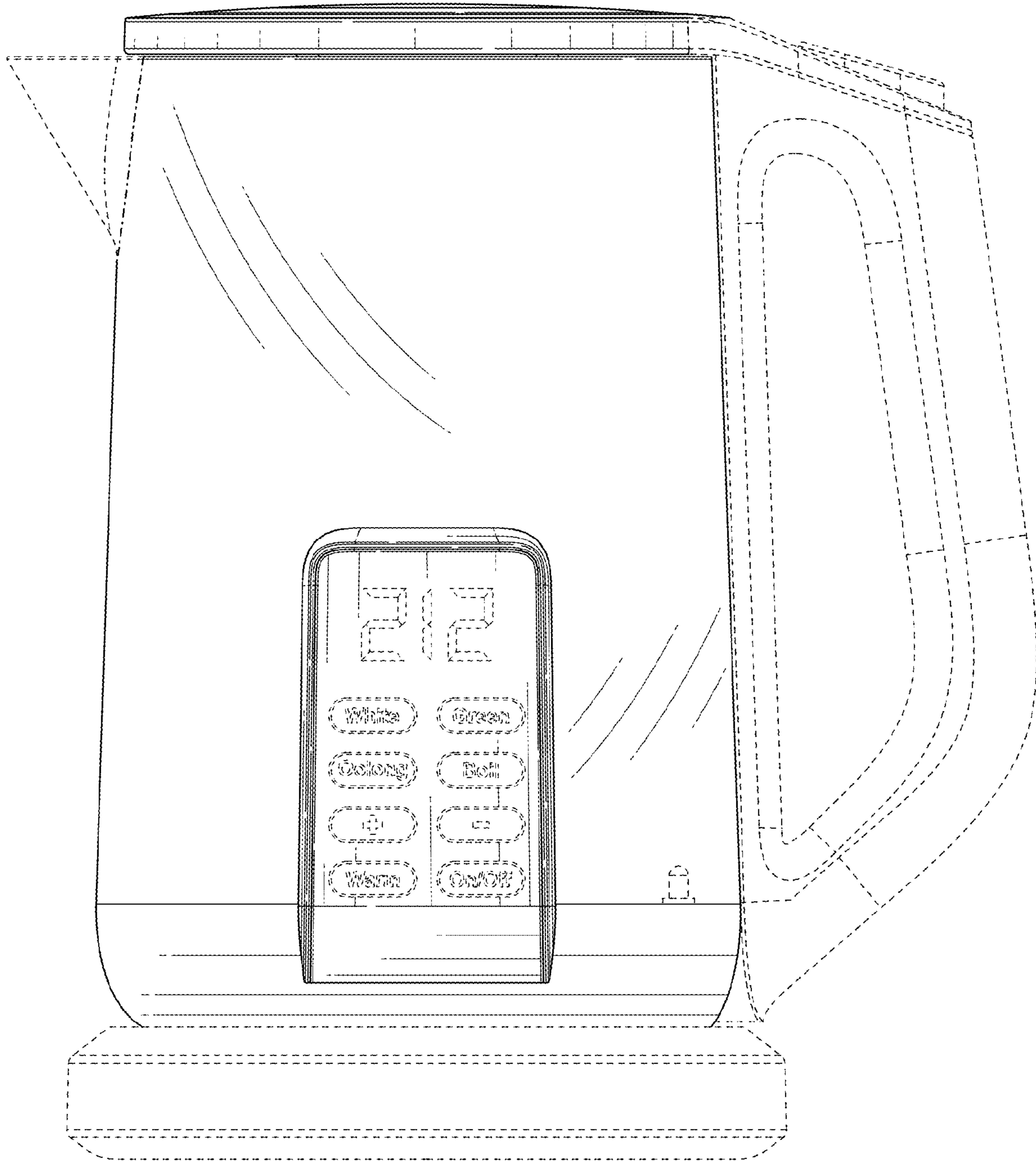


FIG. 5

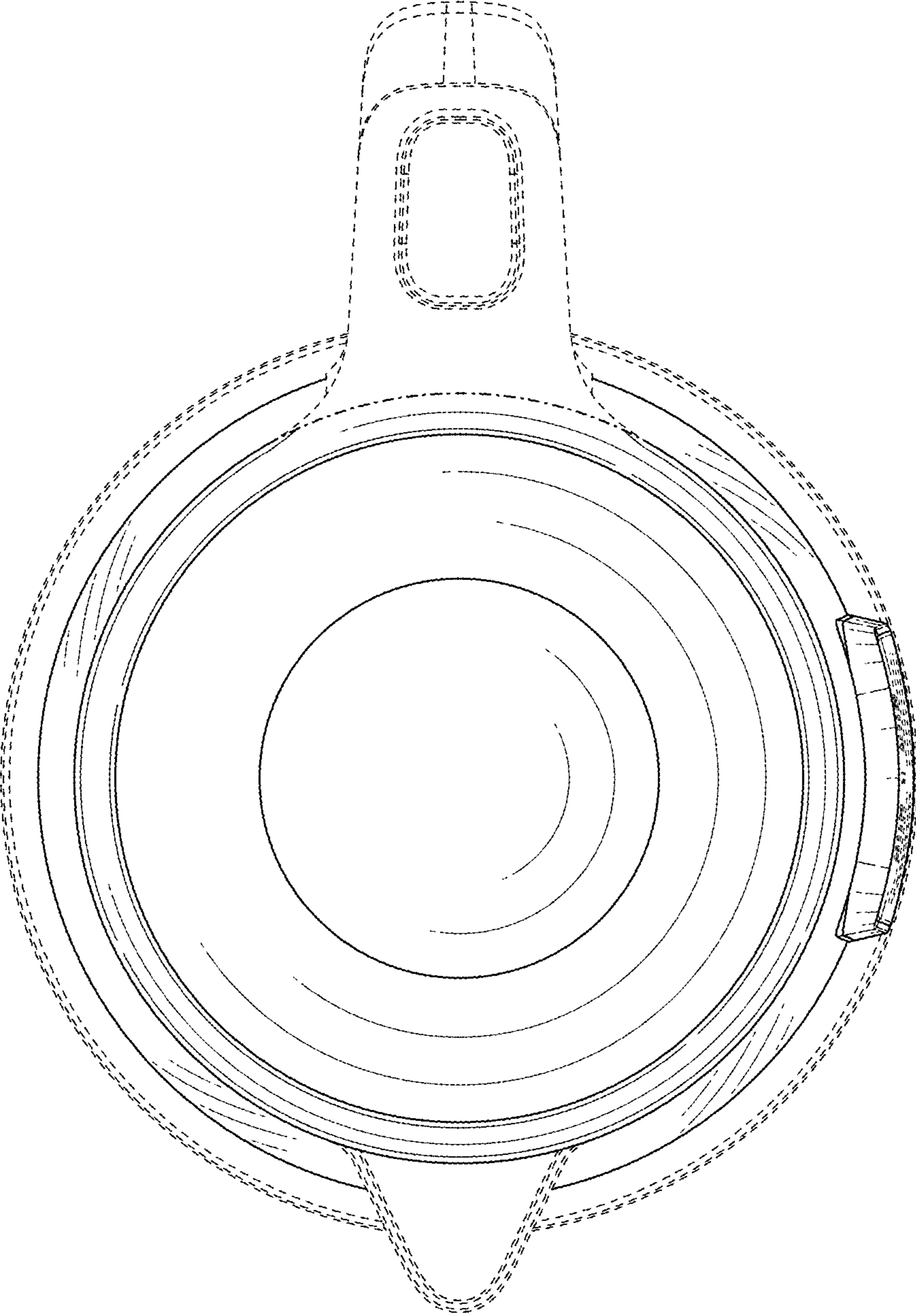


FIG. 6

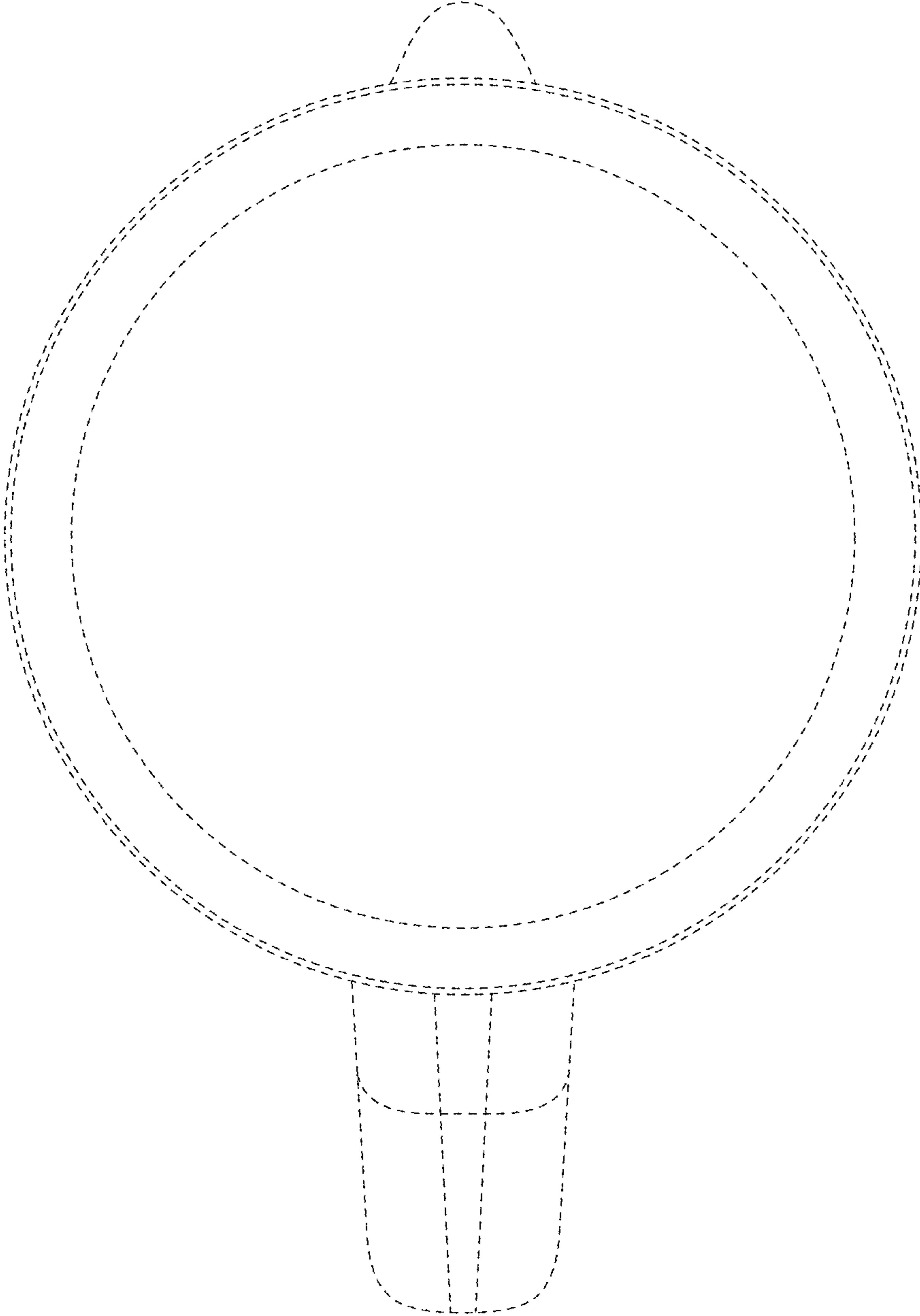


FIG. 7