



US00D985992S

(12) **United States Design Patent** (10) **Patent No.:** **US D985,992 S**  
**Lago** (45) **Date of Patent:** **\*\* May 16, 2023**

(54) **COFFEE MACHINE**  
(71) Applicant: **Gruppo Cimbali S.p.A.**, Binasco (IT)  
(72) Inventor: **Enrico Lago**, Turin (IT)  
(73) Assignee: **GRUPPO CIMBALI S.p.A.**, Binasco (IT)

D880,924 S \* 4/2020 Duvall ..... D7/311  
D883,726 S \* 5/2020 Guelfo ..... D7/311  
D934,024 S \* 10/2021 Merelli ..... A47J 31/5251  
D7/387  
D939,876 S \* 1/2022 Merelli ..... D7/308  
2015/0064323 A1 \* 3/2015 Prefontaine ..... A47J 31/5251  
426/433  
2021/0204748 A1 \* 7/2021 Della Pietra ..... A47J 31/52

(\*\*) Term: **15 Years**  
(21) Appl. No.: **29/730,844**  
(22) Filed: **Apr. 8, 2020**

**FOREIGN PATENT DOCUMENTS**

GB 9004111037-0003 \* 7/2017  
GB 9007003280-0002 \* 10/2019  
KR 301033149.0000 \* 11/2019

(Continued)

(30) **Foreign Application Priority Data**

Oct. 9, 2019 (EM) ..... 007003280

(51) **LOC (14) Cl.** ..... **07-02**

(52) **U.S. Cl.**  
USPC ..... **D7/315**; D7/309; D7/311; D7/313

(58) **Field of Classification Search**  
USPC ..... D7/300, 306–313, 397, 398, 399  
CPC ..... A47J 31/04; A47J 31/043; A47J 31/0573;  
A47J 31/24; A47J 31/30; A47J 31/40;  
A47J 31/42; A47J 31/44; A47J 31/4475;  
A47J 31/4489; A47J 31/56; A47J 42/52  
See application file for complete search history.

**OTHER PUBLICATIONS**

“New York Coffee Festival 2018,” Dec. 10, 2018, La Cimbali, [www.cimbali.us/news/new-york-coffee-festival-2018](http://www.cimbali.us/news/new-york-coffee-festival-2018) (Year: 2018).\*

(Continued)

*Primary Examiner* — Joseph Kukella  
*Assistant Examiner* — Arva P Adams  
(74) *Attorney, Agent, or Firm* — MH2 Technology Law Group LLP

(56) **References Cited**

**U.S. PATENT DOCUMENTS**

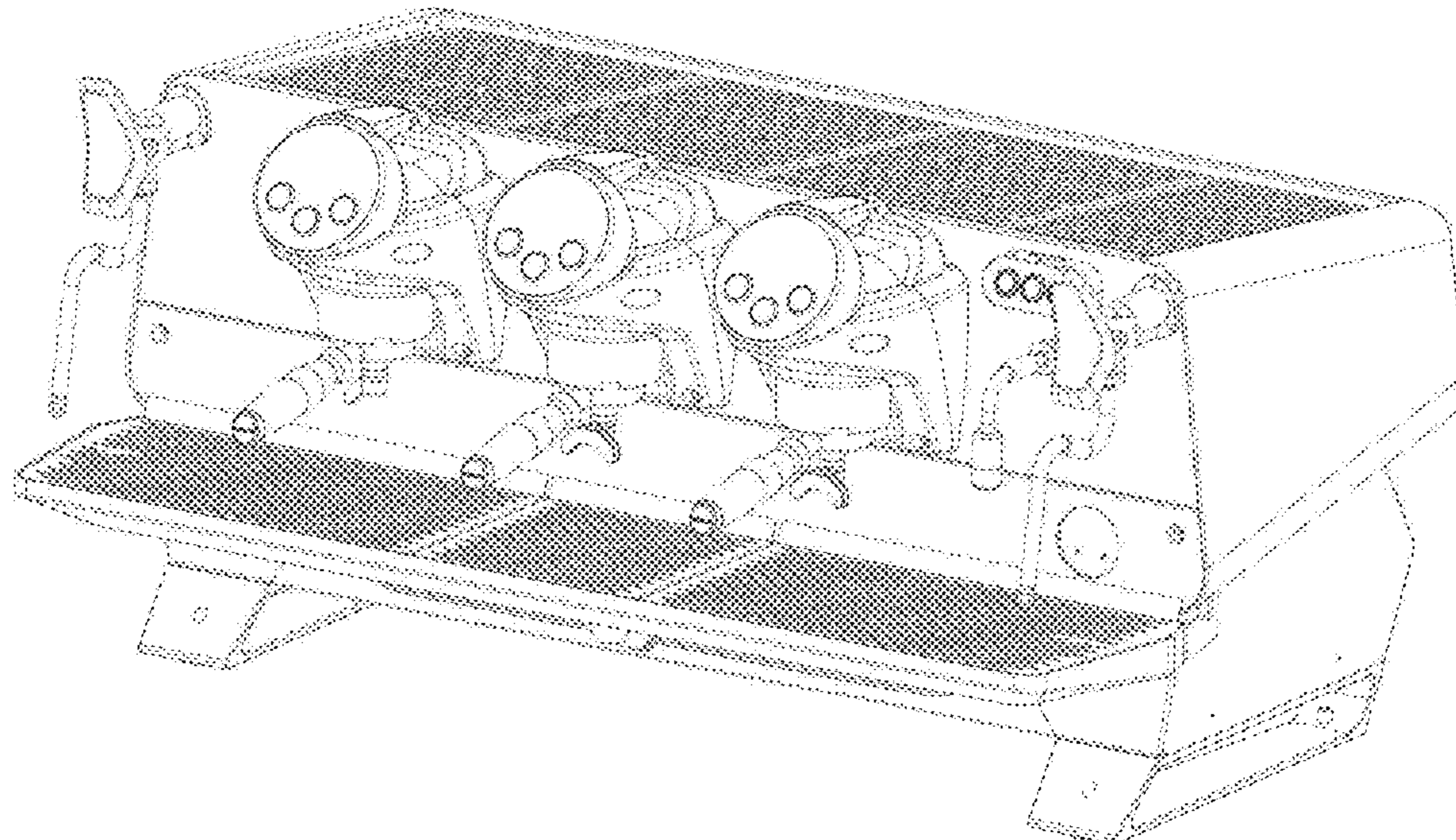
D360,555 S \* 7/1995 Gil De Miguel ..... D7/311  
D395,975 S \* 7/1998 Munoz ..... D7/311  
D589,739 S \* 4/2009 Giugiaro ..... A47J 31/52  
D7/311  
D672,998 S \* 12/2012 Bonetto ..... D7/311  
D807,096 S \* 1/2018 Prefontaine ..... D7/307  
D807,098 S \* 1/2018 De' Longhi ..... D7/311  
D812,404 S \* 3/2018 Guelfo ..... D7/307  
D812,405 S \* 3/2018 Guelfo ..... D7/311  
D862,145 S \* 10/2019 Foglia ..... D7/311

**DESCRIPTION**

(57) **CLAIM**  
The ornamental design for a coffee machine, as shown and described.

FIG. 1 is a rear elevational view of a coffee machine showing my new design;  
FIG. 2 is a bottom plan view thereof;  
FIG. 3 is a front elevational view thereof;  
FIG. 4 is a top plan view thereof;  
FIG. 5 is a right-side elevational view thereof;  
FIG. 6 is a left-side elevational view thereof; and,  
FIG. 7 is a top, front, right perspective view thereof.

**1 Claim, 7 Drawing Sheets**



(56)

**References Cited**

FOREIGN PATENT DOCUMENTS

KR	301033150.0000	*	11/2019
TW	192786-0001	*	9/2018

OTHER PUBLICATIONS

Italdesign, “#Italdesign’s industrial division awarded with @red-dot Award,” Mar. 30, 2020, Twitter, <https://twitter.com/italdesign/status/1244658576351801344> (Year: 2020).\*

\* cited by examiner

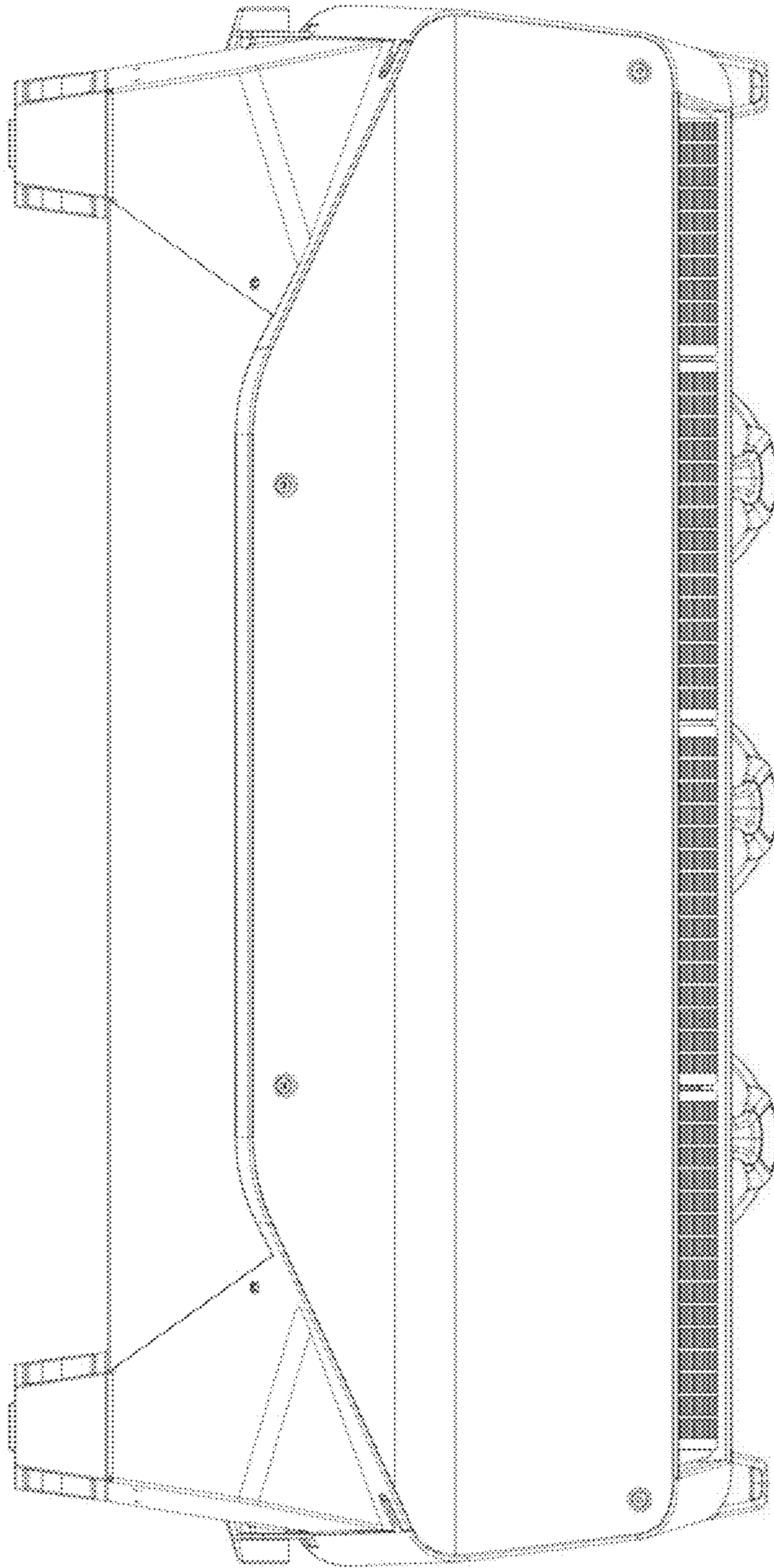


FIG. 1



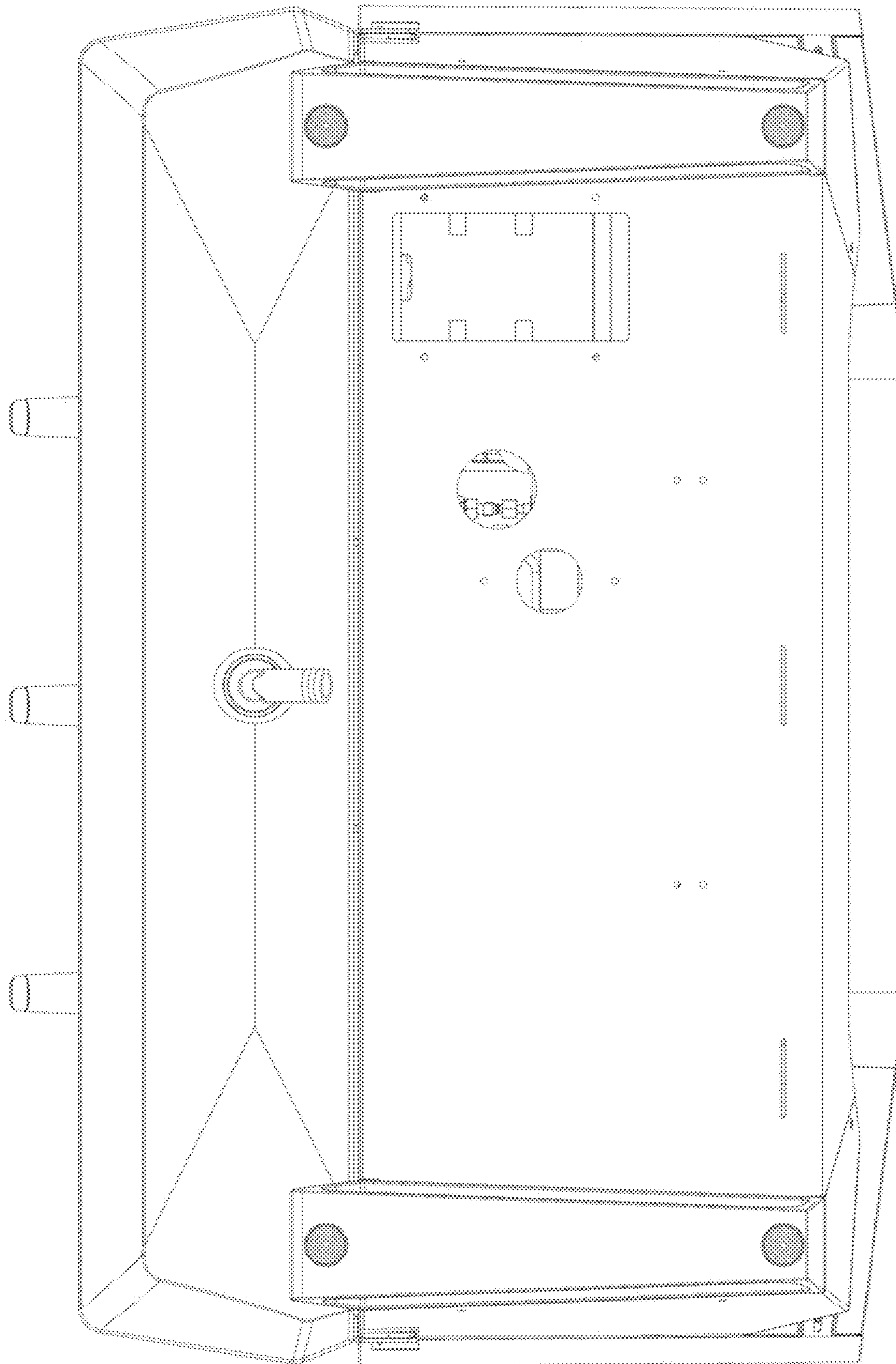


FIG. 2

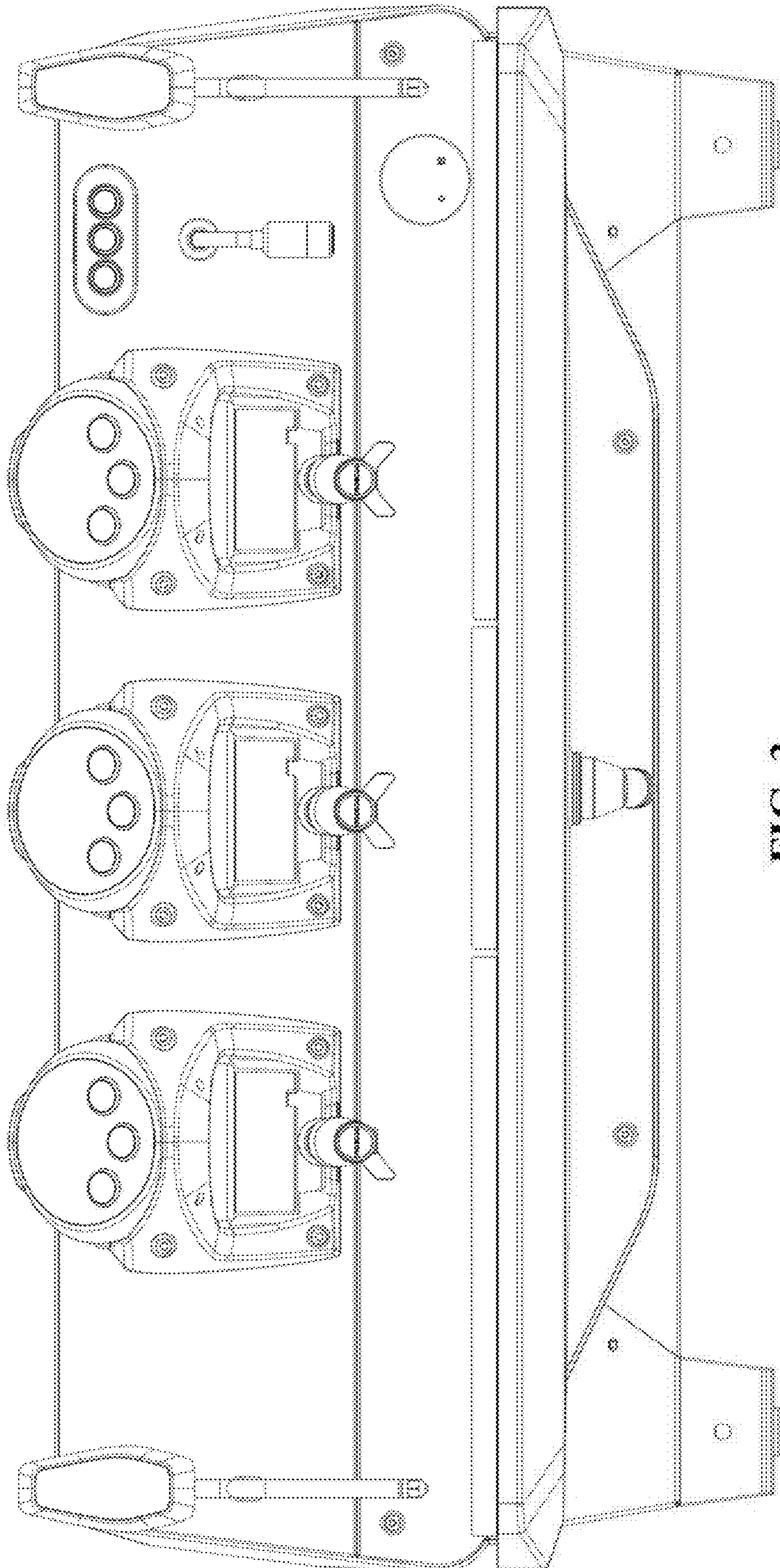


FIG. 3



FIG. 4

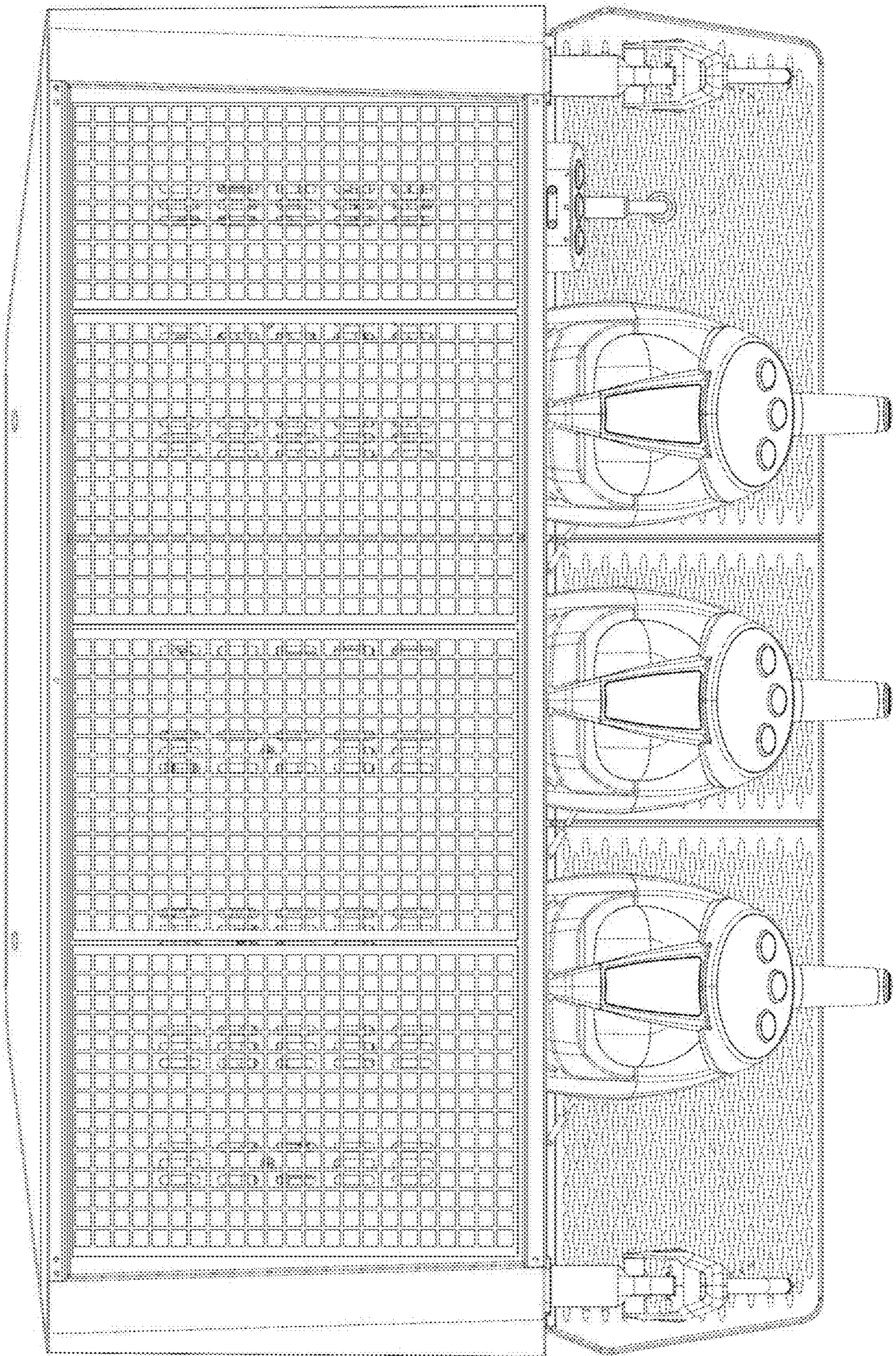
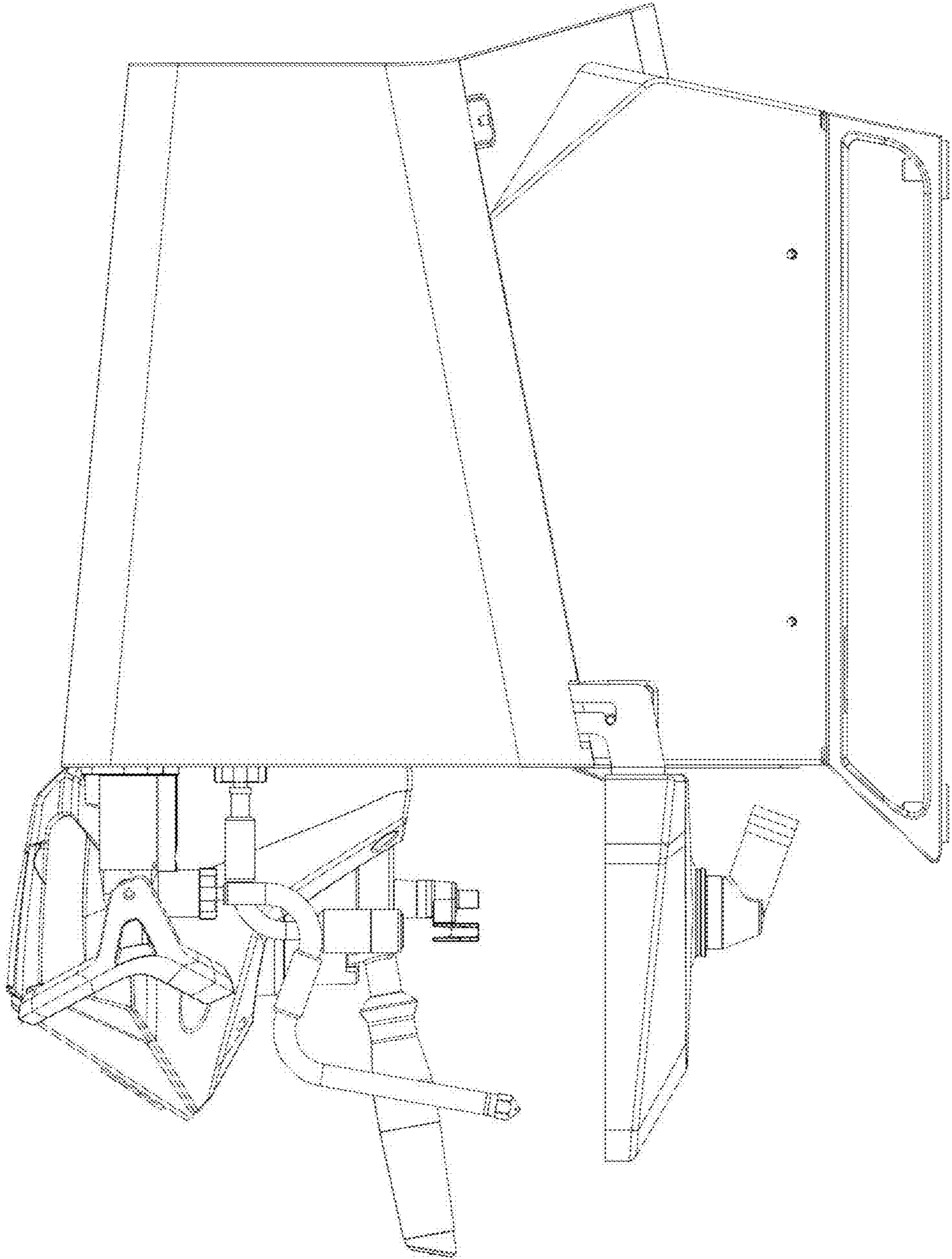




FIG. 5



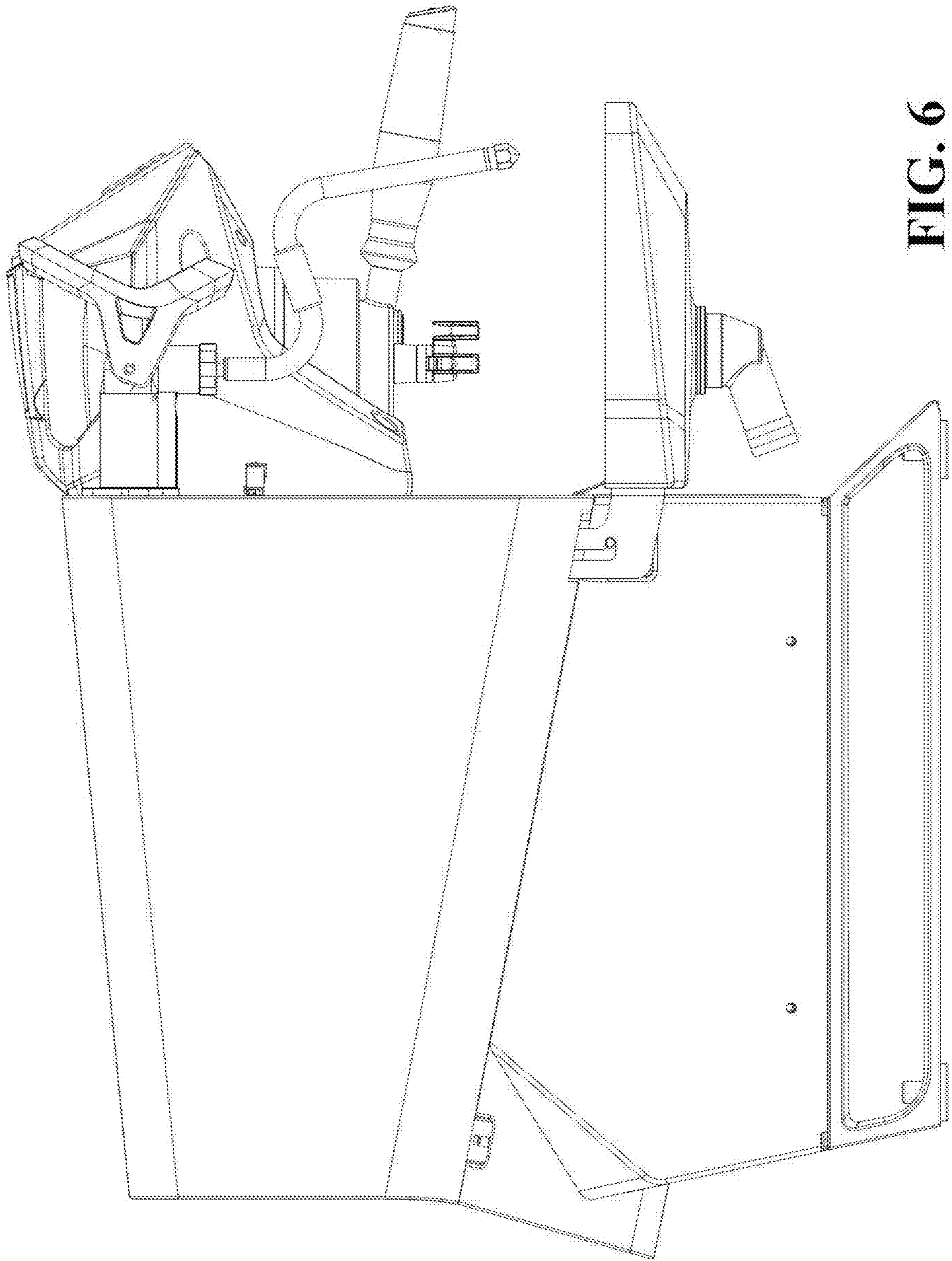


FIG. 6



FIG. 7

