



US00D985989S

(12) **United States Design Patent** (10) **Patent No.:** **US D985,989 S**  
**Schmitz et al.** (45) **Date of Patent:** **\*\* May 16, 2023**

(54) **CHAIR**

(71) Applicant: **MillerKnoll, Inc.**, Zeeland, MI (US)

(72) Inventors: **Johann Burkhard Schmitz**, Berlin (DE); **Carola Zwick**, Berlin (DE); **Roland Zwick**, Berlin (DE)

(73) Assignee: **MillerKnoll, Inc.**, Zeeland, MI (US)

(\*\*) Term: **15 Years**

(21) Appl. No.: **29/856,953**

(22) Filed: **Oct. 18, 2022**

**Related U.S. Application Data**

(62) Division of application No. 29/762,923, filed on Dec. 18, 2020, now Pat. No. Des. 970,912.

(51) **LOC (14) Cl.** ..... **06-01**

(52) **U.S. Cl.**  
USPC ..... **D6/366**

(58) **Field of Classification Search**  
USPC ..... D6/366, 716, 372, 375, 716.4  
CPC ..... A47C 3/045; A47C 3/04; A47C 7/006;  
A47C 4/02; A47C 4/20; A47C 5/10  
See application file for complete search history.

(56) **References Cited**

**U.S. PATENT DOCUMENTS**

2,343,077 A \* 2/1944 Parrish ..... F16B 12/48  
297/445.1  
D183,416 S \* 8/1958 Bellmann ..... D6/375  
2,845,699 A \* 8/1958 Woodard ..... B21F 45/00  
29/445

(Continued)

**FOREIGN PATENT DOCUMENTS**

CN 105722433 B 5/2015  
EP 0268746 B1 6/1990

(Continued)

**OTHER PUBLICATIONS**

International Search Report with Written Opinion for related Application No. PCT/US2020/037276 dated Sep. 25, 2020 (14 Pages).

(Continued)

*Primary Examiner* — Kevin K Rudzinski

*Assistant Examiner* — Paul D Bohannon

(74) *Attorney, Agent, or Firm* — Michael Best & Friedrich LLP

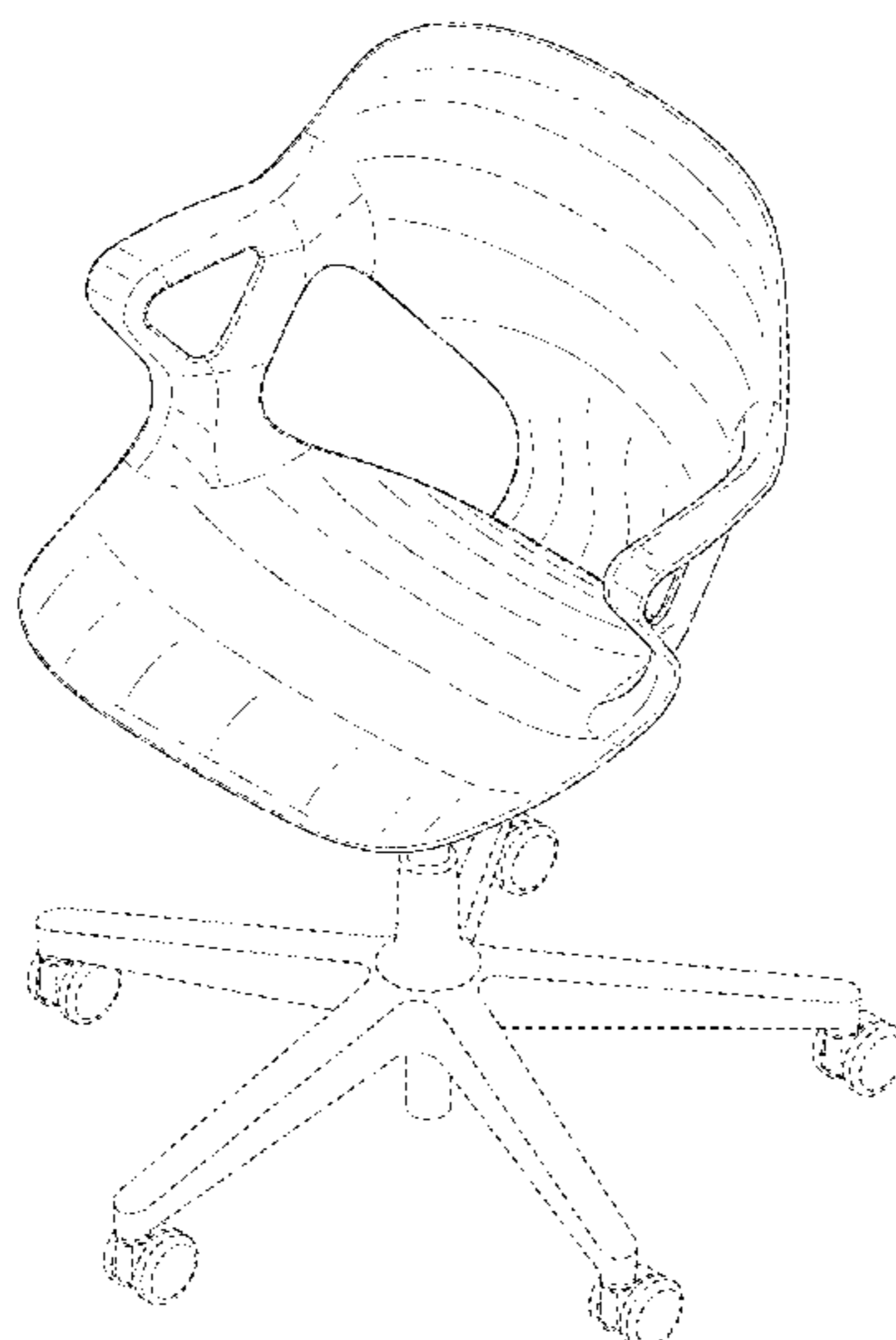
(57) **CLAIM**

We claim the ornamental design for a chair, as shown and described.

**DESCRIPTION**

FIG. 1 is a perspective view of a first embodiment of a chair. FIG. 2 is a front view of the chair of FIG. 1. FIG. 3 is a back view of the chair of FIG. 1. FIG. 4 is a first side view of the chair of FIG. 1. FIG. 5 is a second side view of the chair of FIG. 1. FIG. 6 is a top view of the chair of FIG. 1. FIG. 7 is a bottom view of the chair of FIG. 1. FIG. 8 is a perspective view of a second embodiment of the chair. FIG. 9 is a front view of the chair of FIG. 8. FIG. 10 is a back view of the chair of FIG. 8. FIG. 11 is a first side view of the chair of FIG. 8. FIG. 12 is a second side view of the chair of FIG. 8. FIG. 13 is a top view of the chair of FIG. 8; and, FIG. 14 is a bottom view of the chair of FIG. 8. The evenly-spaced broken lines shown in the drawings represent portions of the chair that form no part of the claimed design. The long and short broken lines indicate a boundary of the claimed design and form no part of the claimed design.

**1 Claim, 14 Drawing Sheets**



(56)

References Cited

U.S. PATENT DOCUMENTS

D205,939 S \* 10/1966 Laverne ..... D6/375  
 D209,282 S \* 11/1967 Boyd et al. .... D6/375  
 3,361,472 A \* 1/1968 Hasbrouck ..... A47C 1/0246  
 297/354.12  
 D226,648 S \* 4/1973 Sebel et al. .... D6/375  
 D227,830 S 7/1973 Klose et al.  
 D230,670 S \* 3/1974 Begge ..... D6/375  
 4,054,317 A 10/1977 Stumpf et al.  
 D276,956 S 1/1985 Aronowitz et al.  
 D279,246 S \* 6/1985 Murry ..... D6/716.4  
 4,529,249 A 7/1985 Stumpf et al.  
 4,653,806 A 3/1987 Willi  
 5,029,940 A 7/1991 Golynsky et al.  
 5,106,157 A 4/1992 Nagelkirk et al.  
 5,333,934 A 8/1994 Knoblock  
 5,352,022 A 10/1994 Knoblock  
 D368,608 S 4/1996 Stirling et al.  
 5,725,277 A 3/1998 Knoblock  
 5,765,914 A 6/1998 Britain et al.  
 5,951,109 A 9/1999 Roslund, Jr. et al.  
 D417,795 S 12/1999 Rashid  
 6,425,633 B1 7/2002 Wilkerson et al.  
 6,428,099 B1 8/2002 Kain  
 6,609,755 B2 8/2003 Koepke et al.  
 6,820,936 B2 11/2004 Wilkerson et al.  
 6,945,602 B2 9/2005 Fookes et al.  
 D513,902 S 1/2006 Piretti  
 D518,968 S \* 4/2006 Magnani ..... D6/375  
 D525,445 S \* 7/2006 Liu ..... D6/375  
 D525,446 S 7/2006 Farber  
 D535,838 S \* 1/2007 Ritch ..... D6/366  
 D546,085 S \* 7/2007 Ritch ..... D6/366  
 D546,087 S 7/2007 Rashid  
 D548,475 S 8/2007 Ritch et al.  
 D553,380 S 10/2007 Natuzzi  
 D555,380 S 11/2007 Farber  
 D557,916 S \* 12/2007 Dietrich ..... D6/366  
 D588,371 S 3/2009 Picco et al.  
 7,500,718 B2 3/2009 Fookes  
 7,503,626 B2 3/2009 Maier et al.  
 D596,871 S \* 7/2009 Farber ..... D6/375  
 D648,553 S \* 11/2011 Wilson ..... D6/366  
 D648,946 S \* 11/2011 Wilson ..... D6/366  
 D649,801 S \* 12/2011 Salto ..... D6/375  
 D657,583 S \* 4/2012 Wilson ..... D6/366  
 D667,243 S \* 9/2012 Su ..... D6/716

D678,690 S 3/2013 Eldoy  
 D679,525 S 4/2013 Corcorran et al.  
 D705,587 S \* 5/2014 Caruso ..... D6/716  
 8,899,678 B2 12/2014 Doolan et al.  
 D726,468 S \* 4/2015 McKenna ..... D6/716  
 8,998,318 B2 4/2015 Gaudreau, Jr.  
 D738,657 S \* 9/2015 Robins ..... D6/375  
 D741,615 S \* 10/2015 Morrison ..... D6/375  
 D742,132 S 11/2015 Morrison  
 D742,675 S \* 11/2015 Morrison ..... D6/375  
 9,364,091 B2 6/2016 Costaglia  
 D763,612 S 8/2016 Goetz  
 9,402,478 B2 8/2016 Hasegawa et al.  
 D787,248 S \* 5/2017 Jahns ..... D6/366  
 10,021,984 B2 7/2018 Ludwig et al.  
 10,167,083 B2 1/2019 Henshaw  
 10,194,750 B2 2/2019 Ludwig et al.  
 10,449,876 B2 10/2019 Lonstein et al.  
 10,531,738 B2 1/2020 Schmitz et al.  
 D915,096 S \* 4/2021 Li ..... D6/375  
 D931,639 S 9/2021 Ojerstam  
 D939,230 S 12/2021 Hayon  
 D970,912 S \* 11/2022 Schmitz ..... D6/366  
 2011/0193384 A1 8/2011 Ni  
 2015/0223605 A1 8/2015 Piretti  
 2016/0128483 A1 5/2016 Gorgi  
 2018/0125245 A1 5/2018 Ludwig et al.  
 2018/0125246 A1 5/2018 Ludwig et al.

FOREIGN PATENT DOCUMENTS

EP 3217845 B1 9/2018  
 EP 3556252 A1 10/2019  
 JP 2016036641 A 3/2016  
 WO 2009090769 A1 7/2009  
 WO 2017135831 A1 8/2017  
 WO 2019201608 A1 10/2019

OTHER PUBLICATIONS

Registered Community Design by EUIPO No. CD002847095-0001,  
 Published Nov. 18, 2015 (6 Pages).  
 ETA Deutschland, "AKTION 2000", HD13004066 design of a chair  
 received from the JPO on Jan. 12, 2001 (2 Pages).  
 Design of a chair shown in Contract, published by Vnu Business  
 Publications, No. HD24003919, (2 Pages).

\* cited by examiner

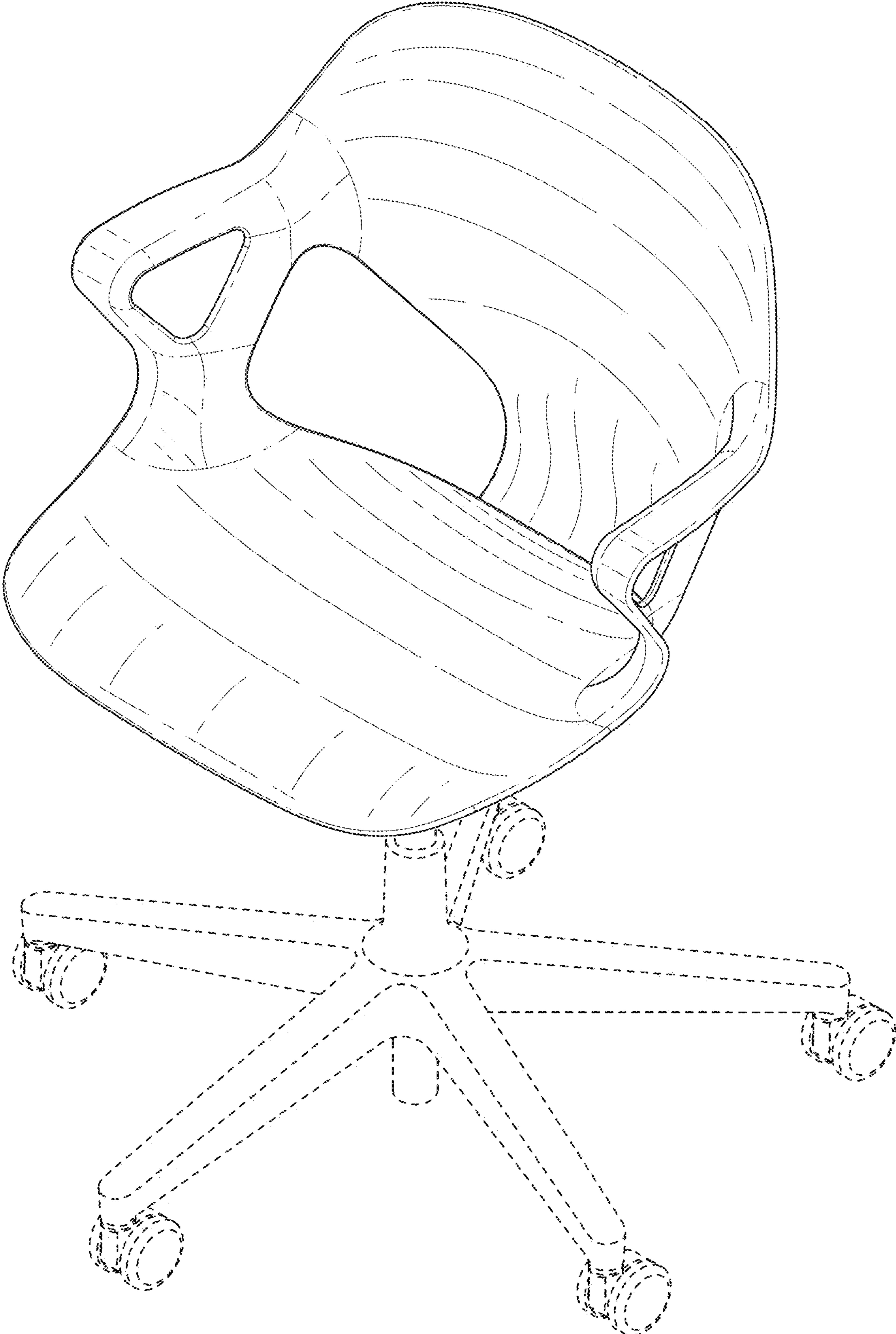


FIG. 1

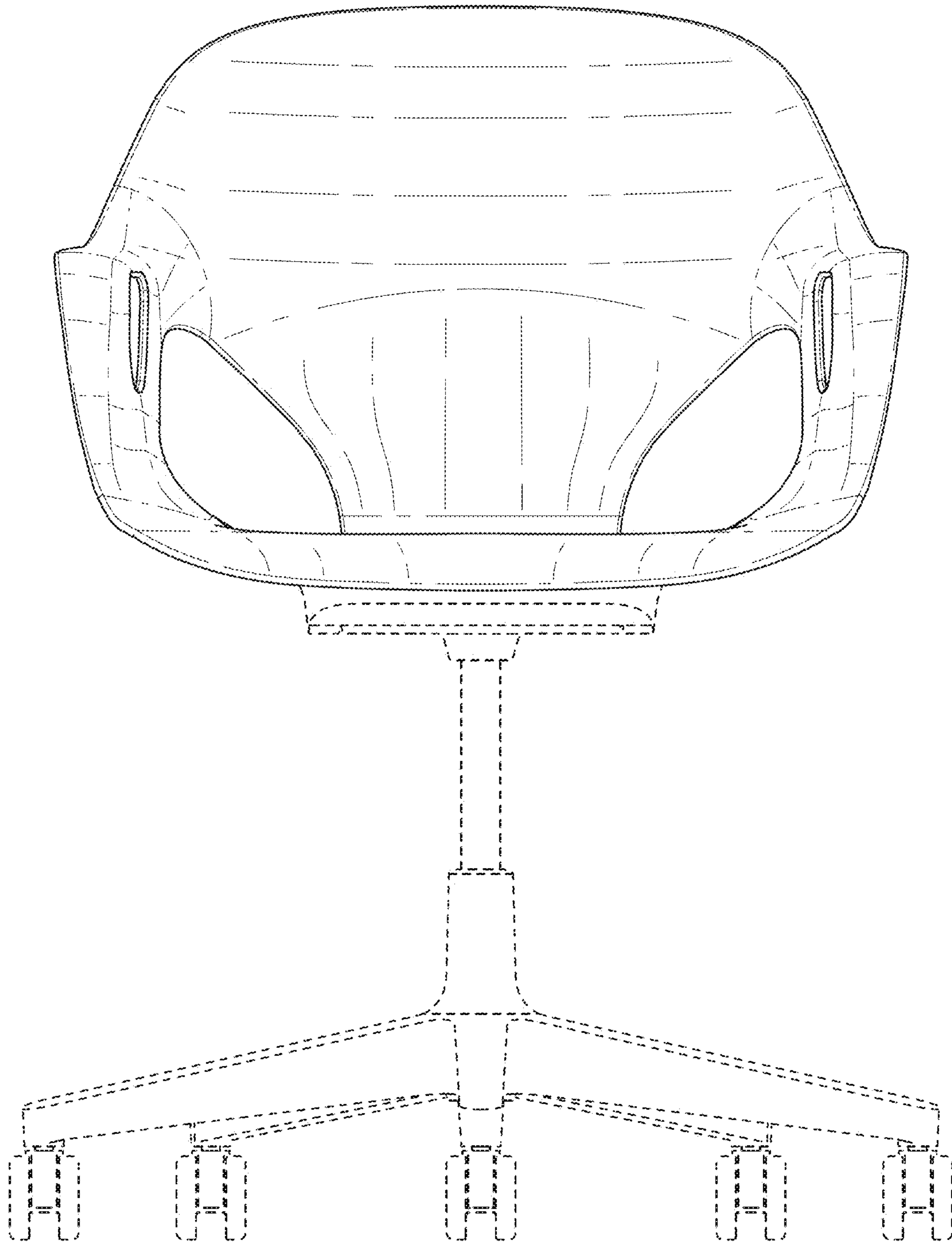


FIG. 2

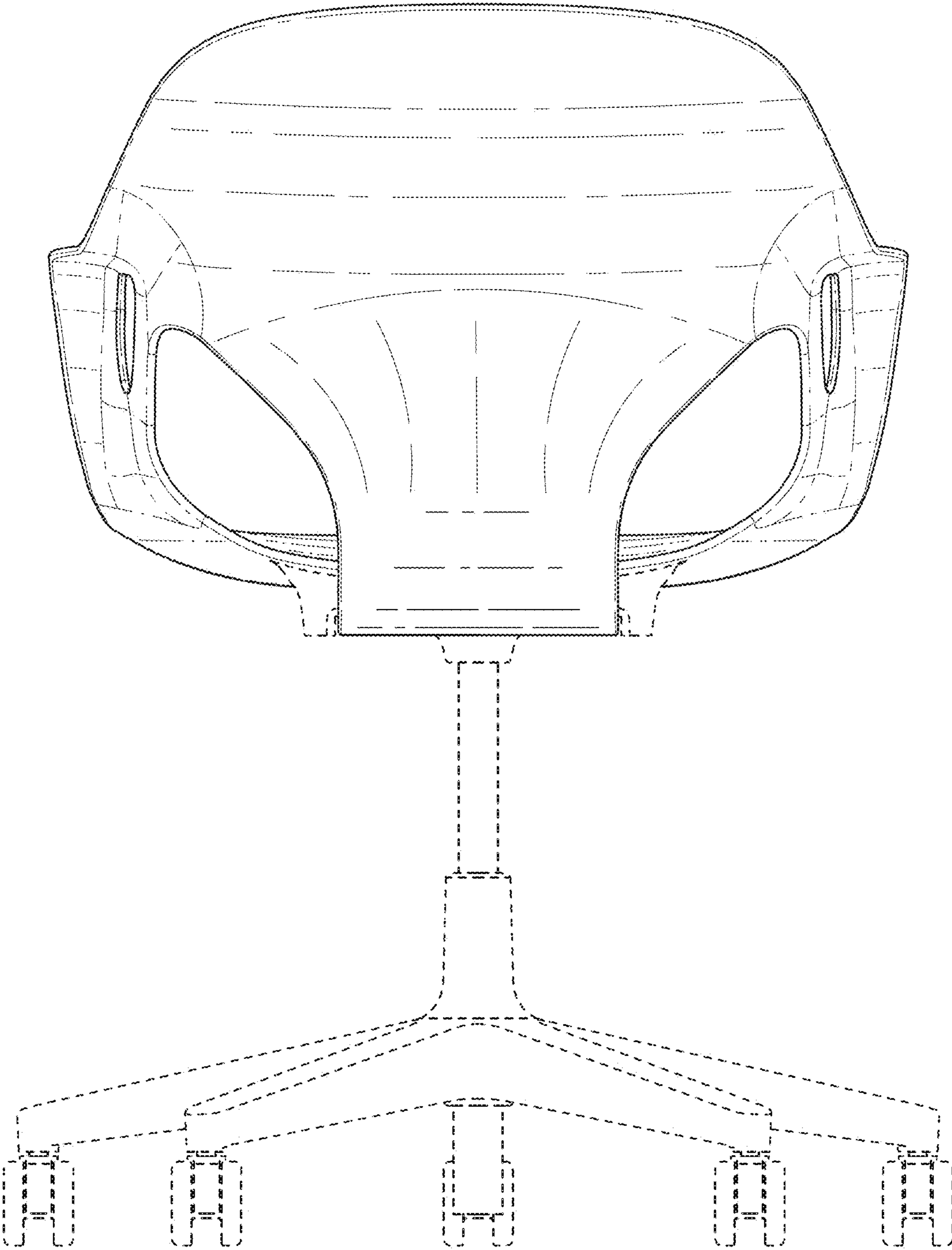


FIG. 3

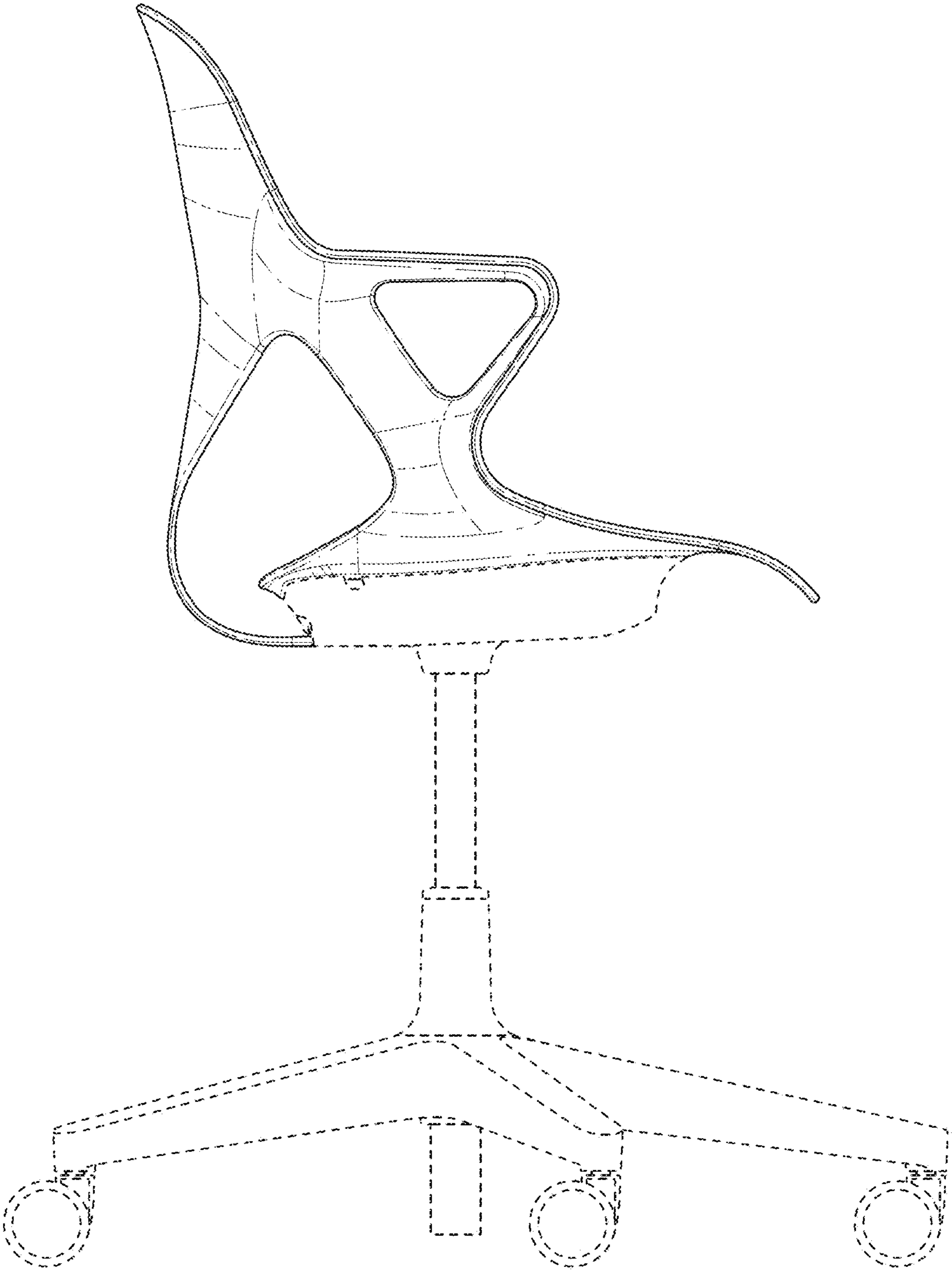


FIG. 4

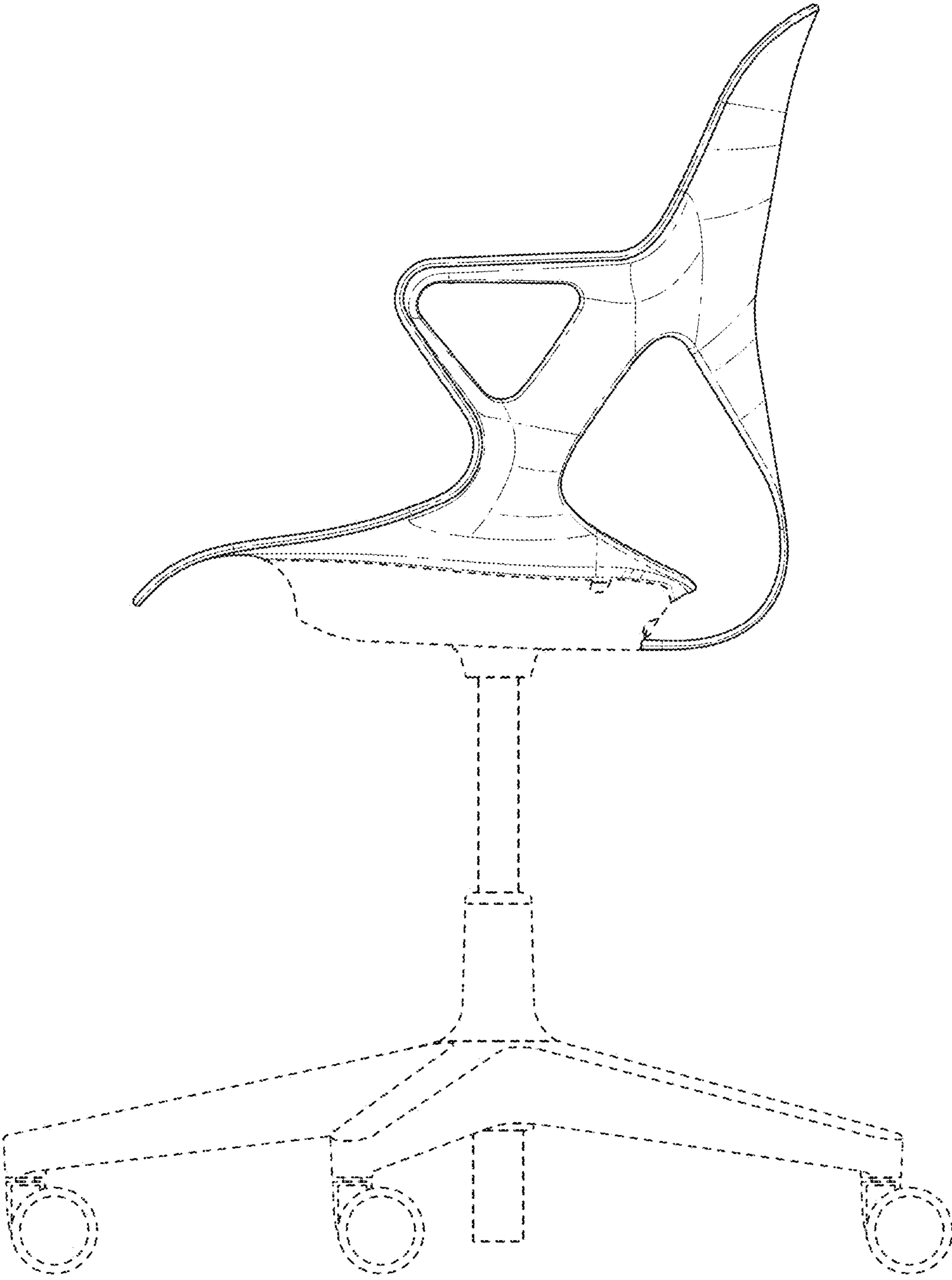


FIG. 5

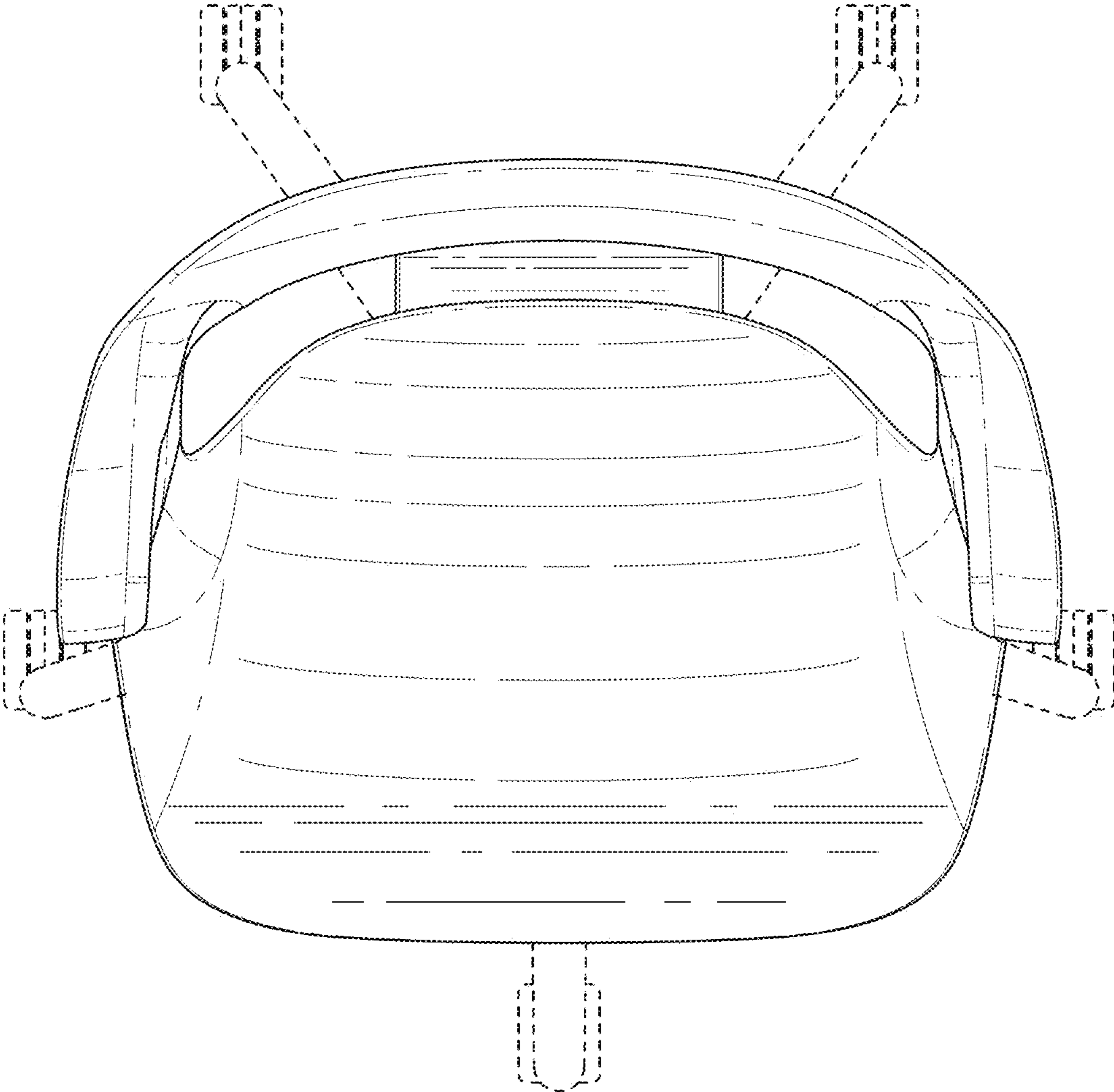


FIG. 6



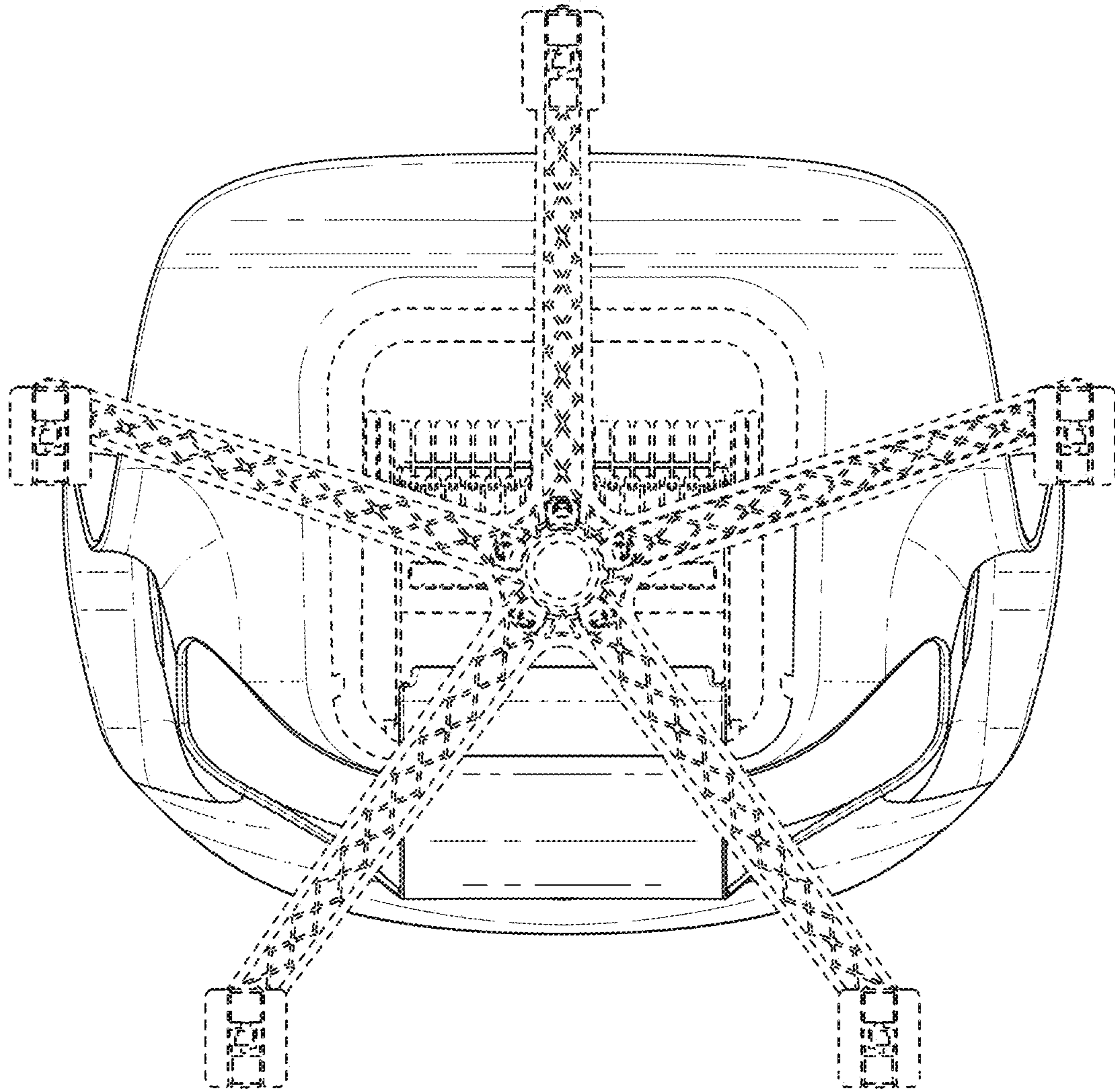


FIG. 7

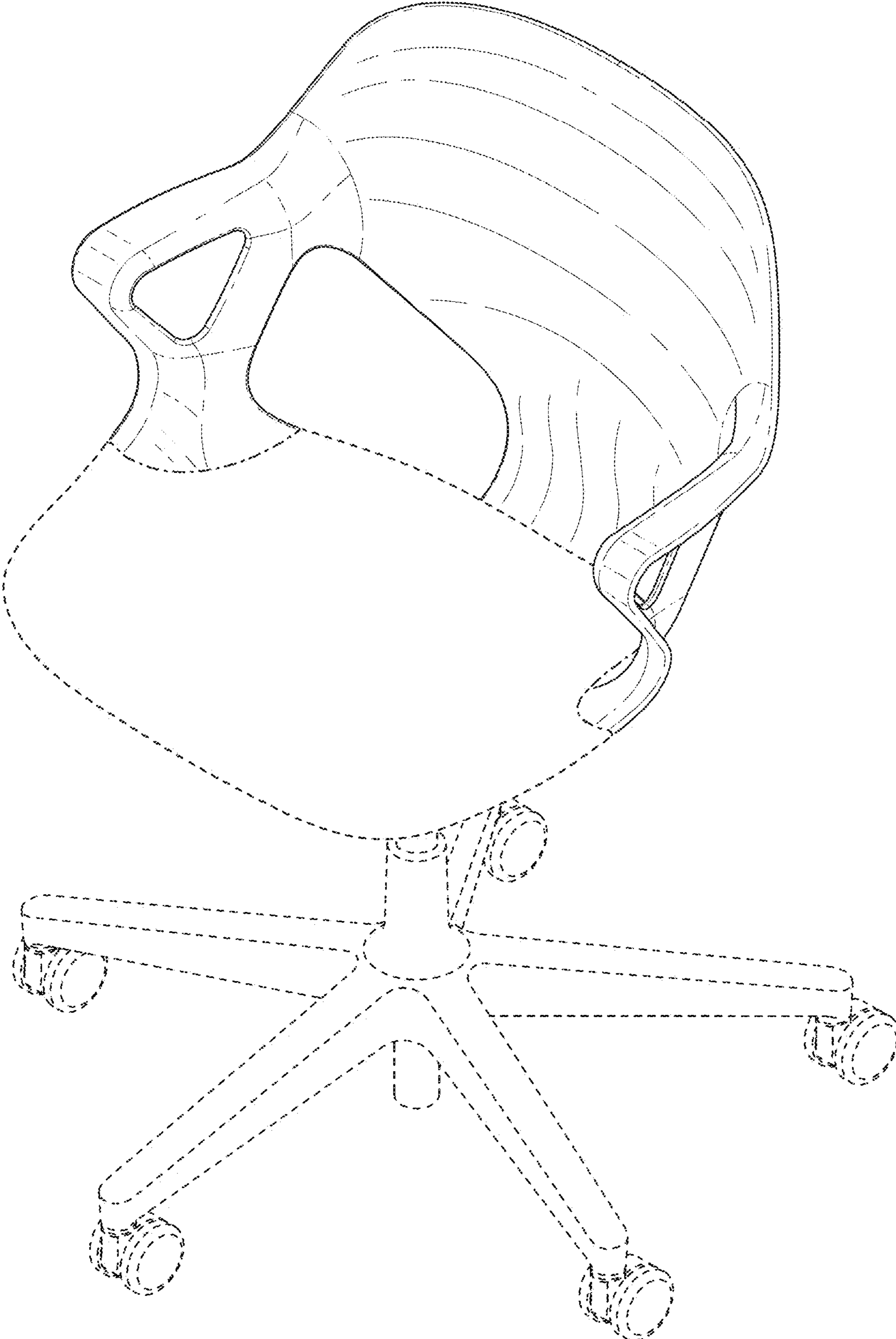


FIG. 8

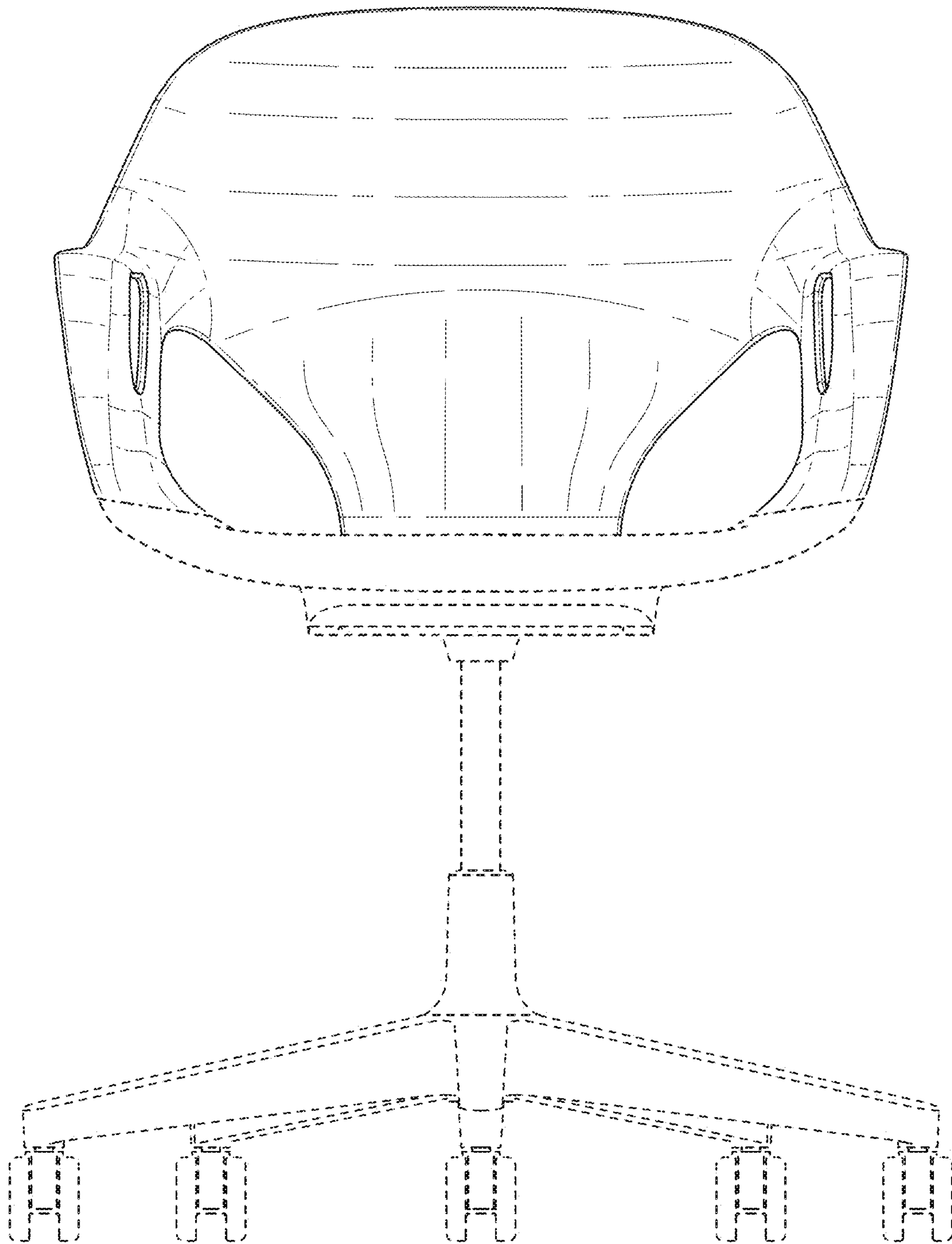


FIG. 9

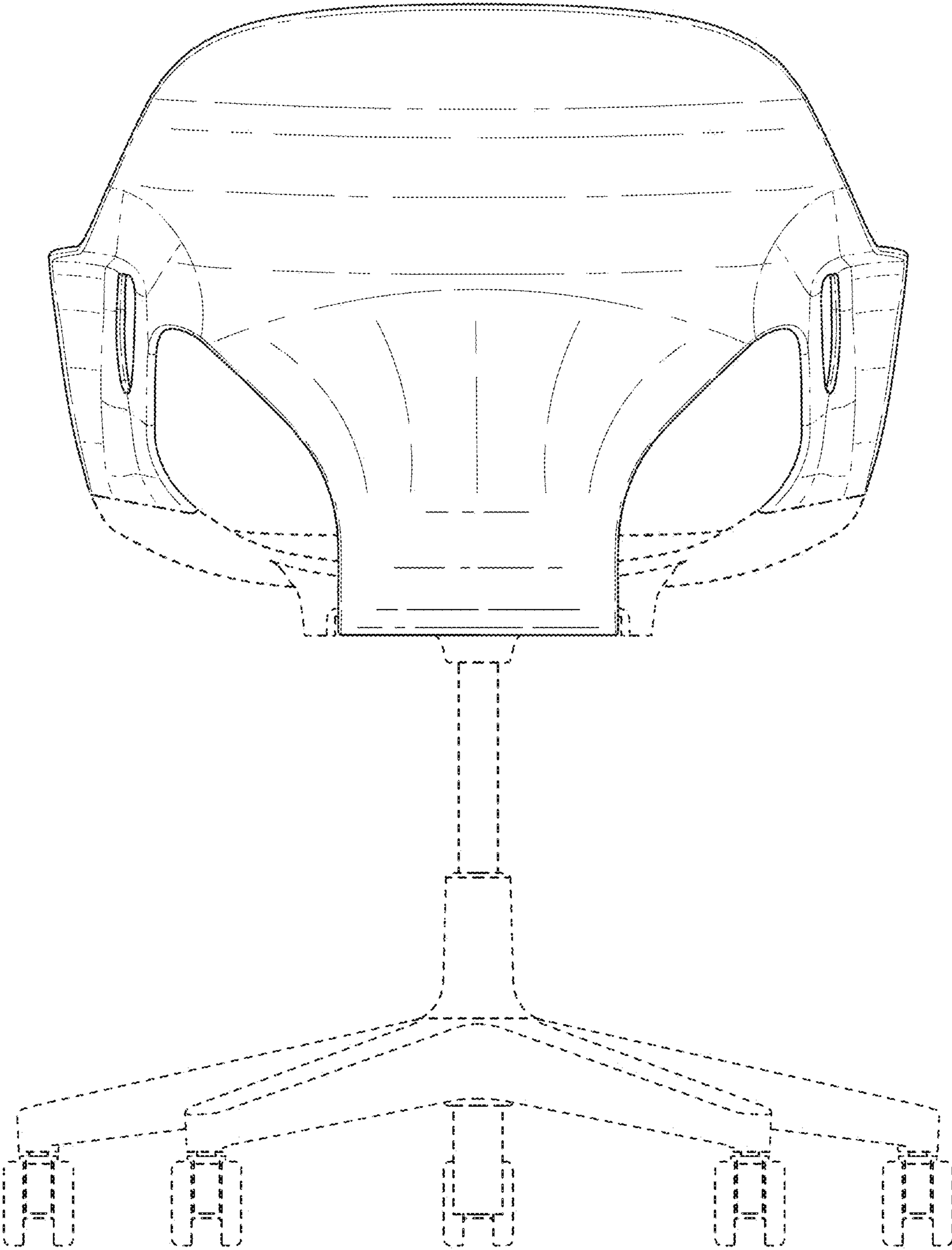


FIG. 10

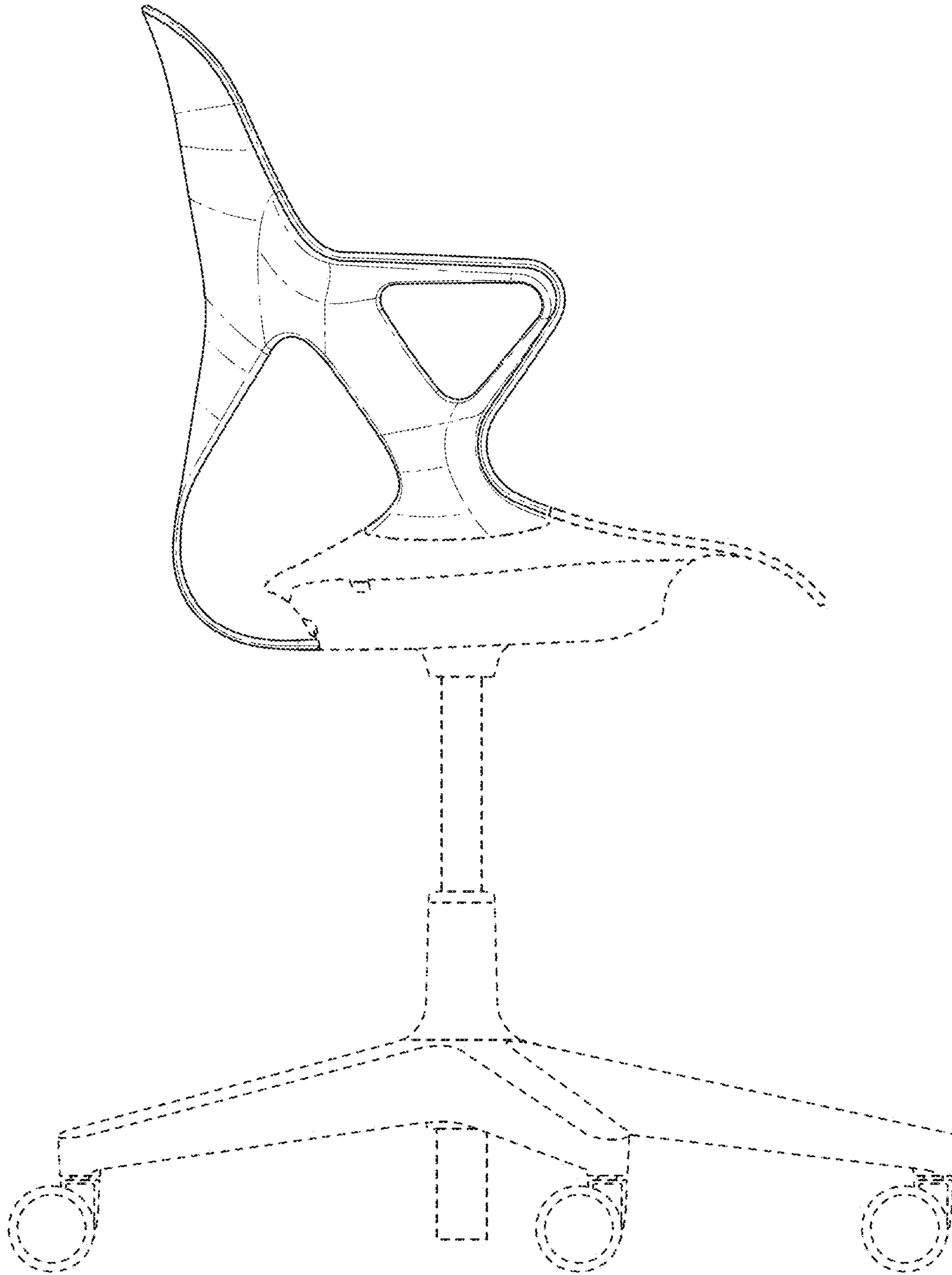


FIG. 11

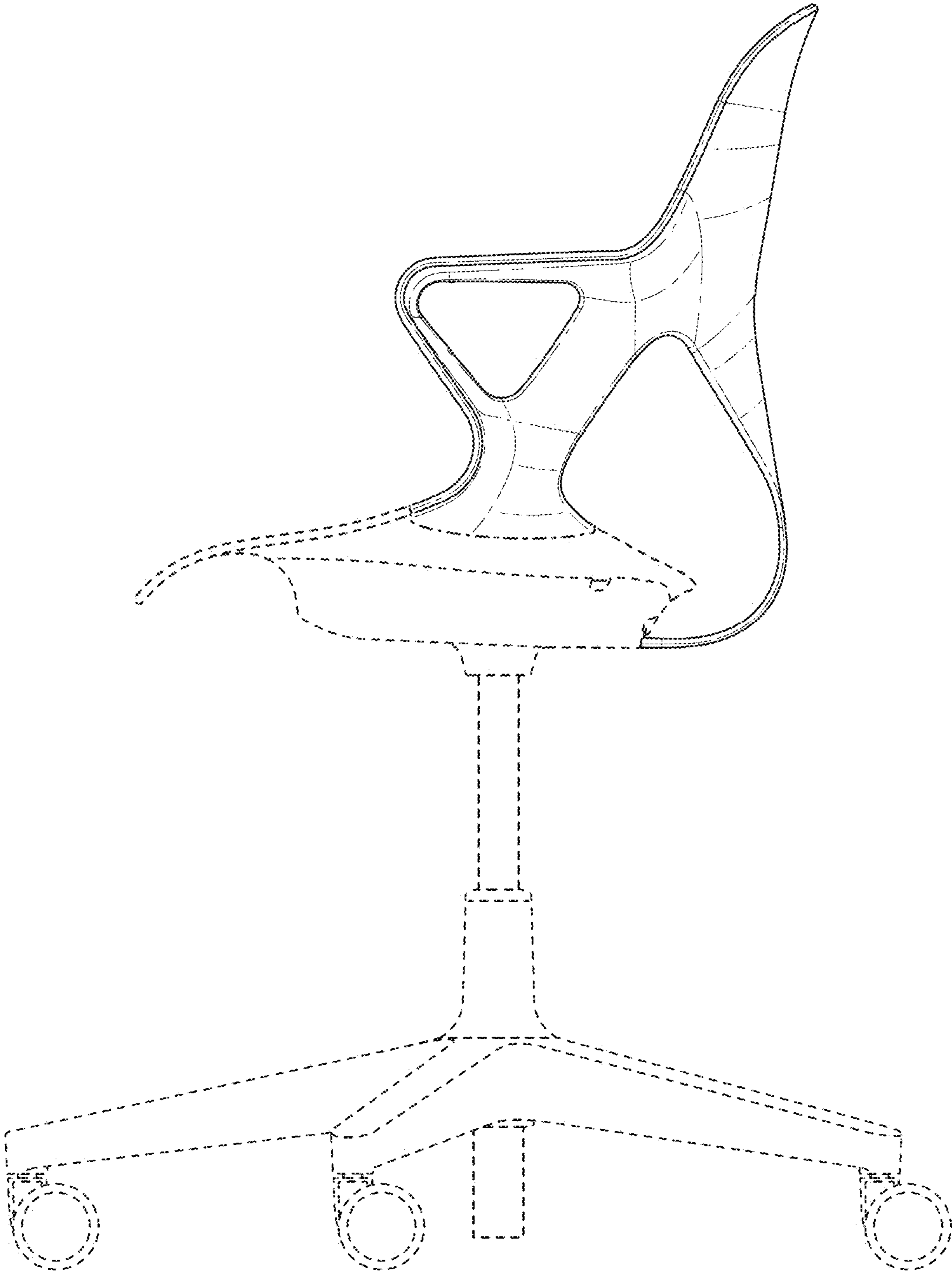


FIG. 12

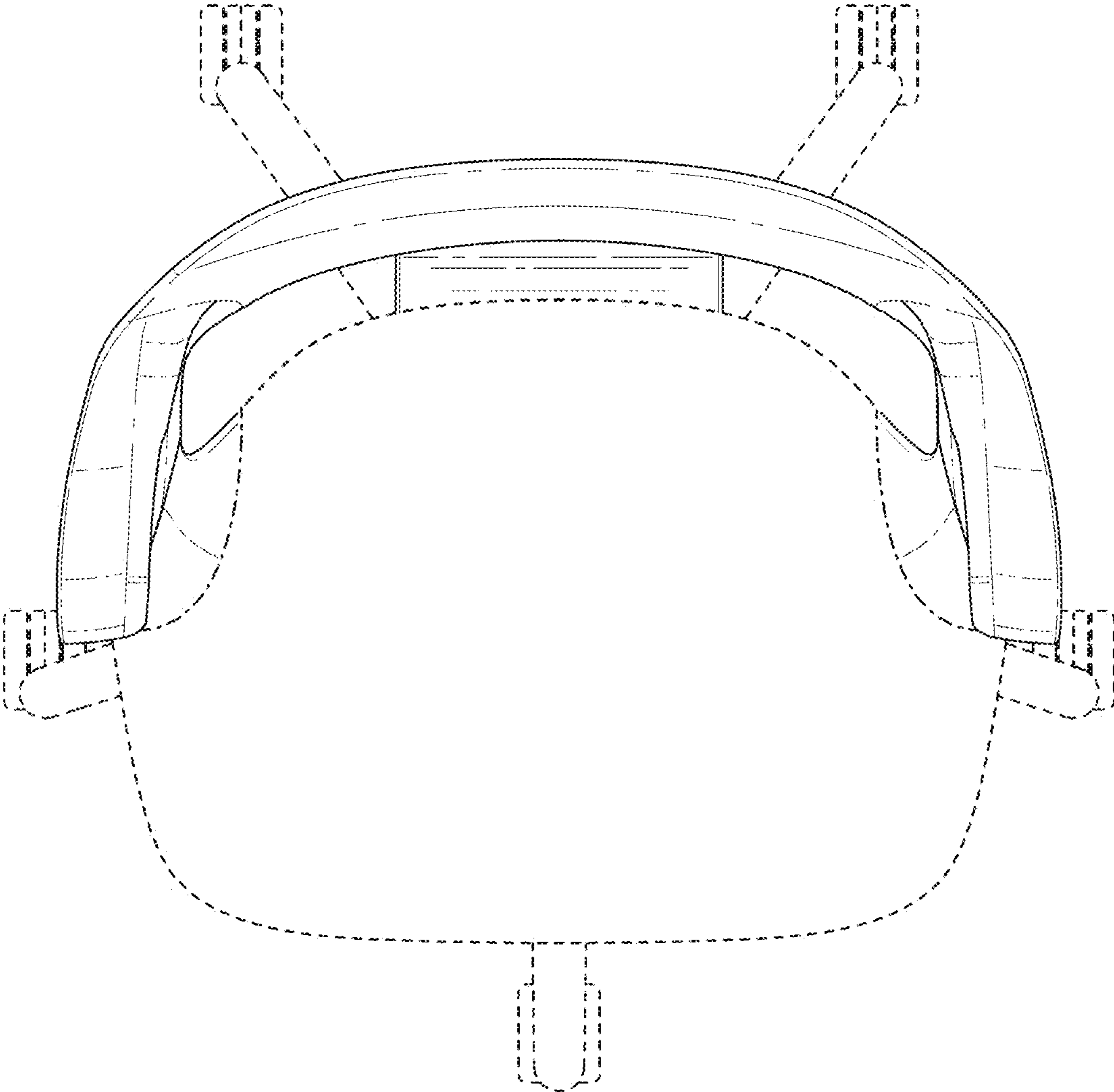


FIG. 13

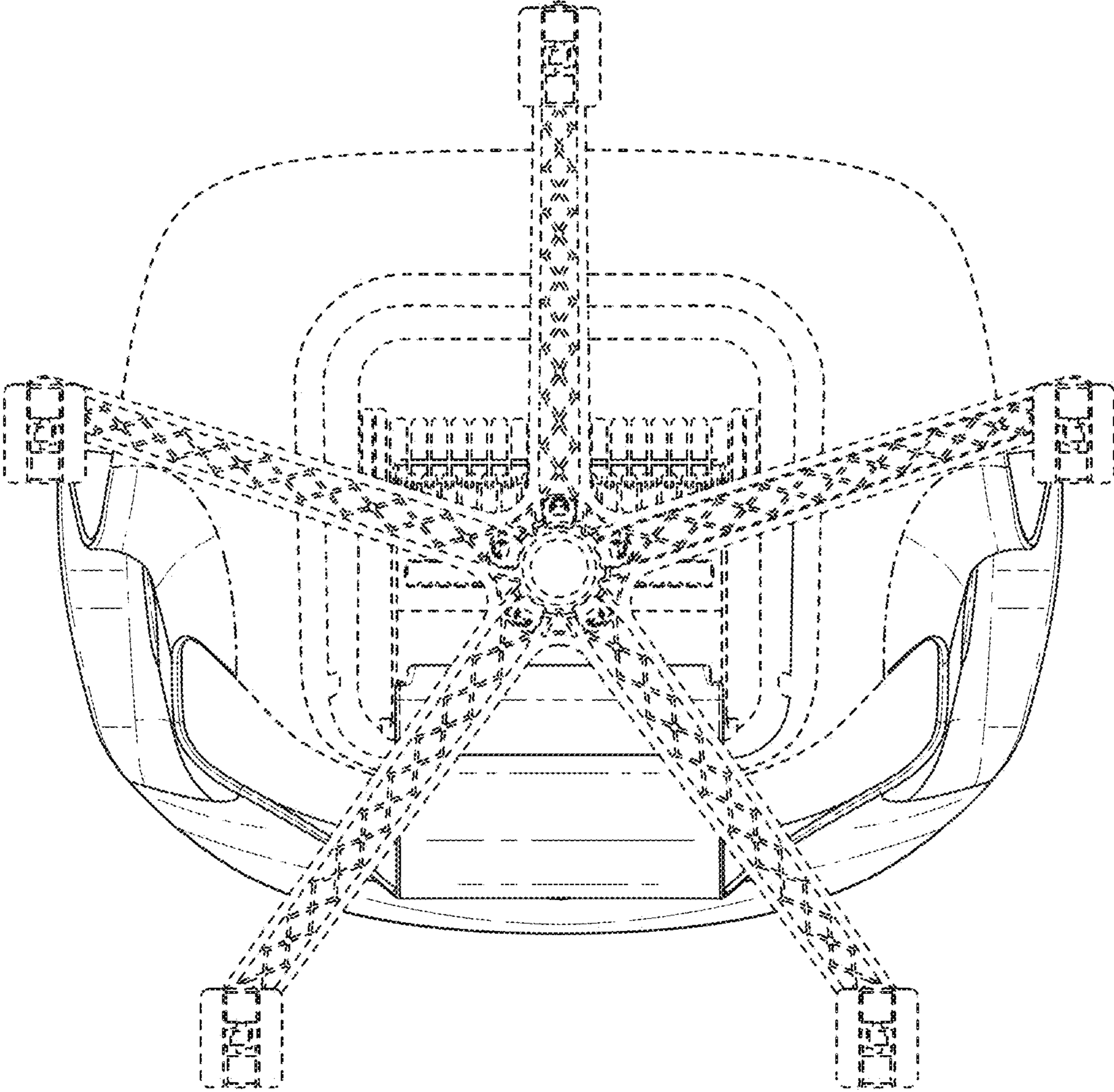


FIG. 14