



US00D985986S

(12) **United States Design Patent**
Xing

(10) **Patent No.:** **US D985,986 S**

(45) **Date of Patent:** **** May 16, 2023**

(54) **TABLE**

(71) Applicant: **TIANJIN YOUNITI TECHNOLOGY CO., LTD.**, Tianjin (CN)

(72) Inventor: **Jicun Xing**, Bazhou (CN)

(73) Assignee: **TIANJIN YOUNITI TECHNOLOGY CO., LTD.**, Tianjin (CN)

(**) Term: **15 Years**

(21) Appl. No.: **29/804,246**

(22) Filed: **Aug. 19, 2021**

(30) **Foreign Application Priority Data**

Mar. 16, 2021 (CN) 202130140933.1

(51) **LOC (14) Cl.** **06-03**

(52) **U.S. Cl.**
USPC **D6/692.3**

(58) **Field of Classification Search**
USPC D6/641, 656, 656.1, 656.15, 656.19, 685, D6/690, 692, 692.1, 692.3, 692.6
CPC A47B 13/08; A47B 7/00; A47B 41/00; A47B 2200/0001; A47B 21/00; A47B 3/12; A47B 13/023; A47B 13/02; A47B 2200/0022; A47B 2230/16; A47B 2230/0062; A47B 2230/0088; A47B 2230/0092

See application file for complete search history.

(56) **References Cited**

U.S. PATENT DOCUMENTS

D171,475 S * 2/1954 Yarger D6/692.6
4,824,058 A * 4/1989 Glendinning A47B 13/04 248/164
5,074,502 A * 12/1991 Glendinning A47B 3/12 248/164
D463,169 S * 9/2002 Russell D6/692.3

D785,385 S * 5/2017 Traeger D6/692
D821,128 S * 6/2018 Pocci D6/692.3
D853,154 S * 7/2019 Vorob'Jov A47B 17/003 D6/641
11,064,805 B1 * 7/2021 Berkin-Harper A47B 13/04
2003/0107254 A1 * 6/2003 Willy A47B 3/06 297/440.13

(Continued)

FOREIGN PATENT DOCUMENTS

CN 306634674 * 6/2021
EM 008657811-0001 * 8/2021

OTHER PUBLICATIONS

Coffee table Turqueta wood furniture handmade rustic nesting coffee table farmhouse dining table, available in Etsy.com, customer review oldest date Jul. 31, 2021 [online], [site visited Mar. 8, 2023], Available from the internet URL: <https://www.etsy.com/listing/1030902576/coffee-table-turqueta-wood-fur> (Year: 2021).*

Primary Examiner — Jennifer L Watkins
Assistant Examiner — Bryan Coauhtemoc Gusman

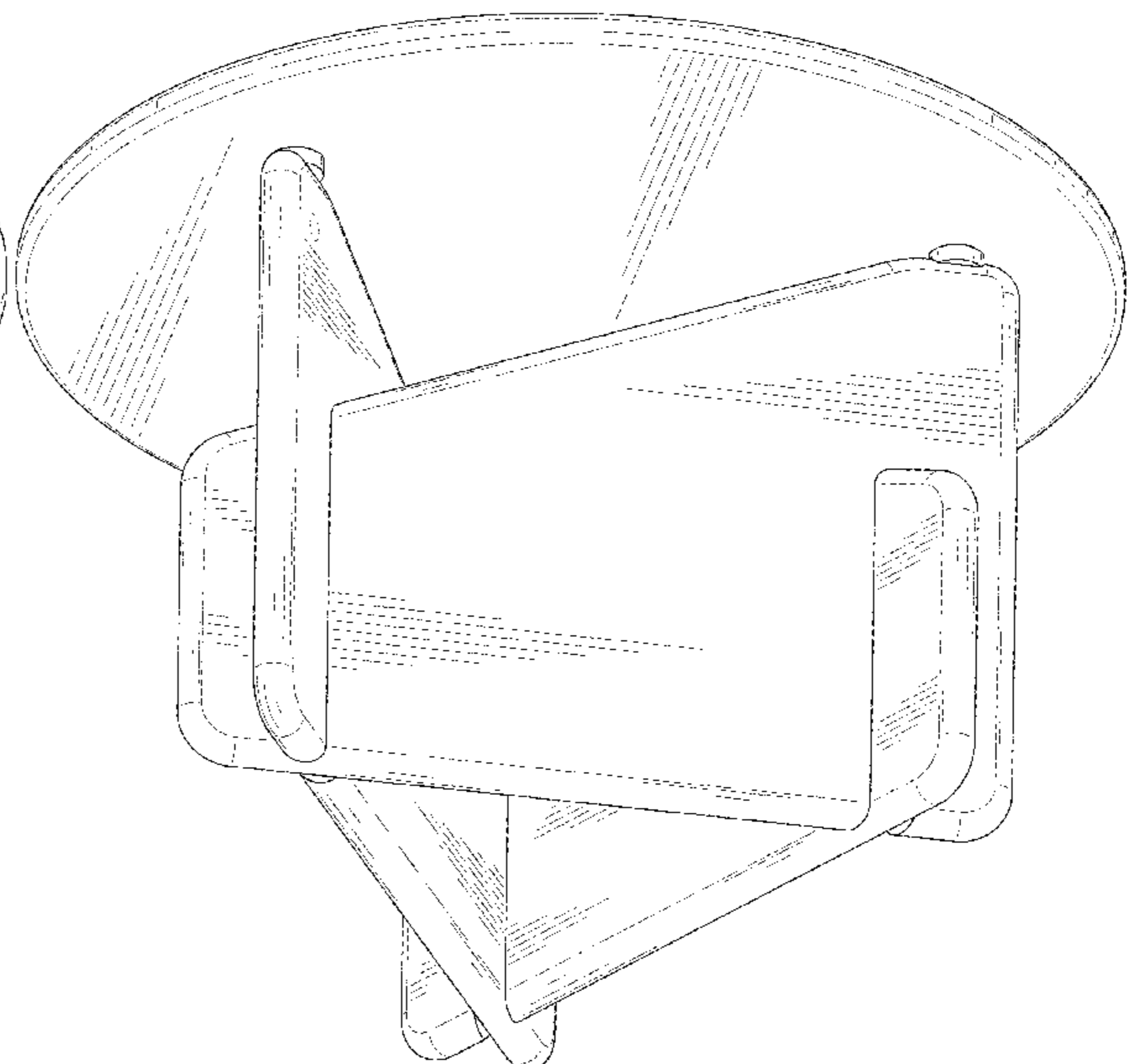
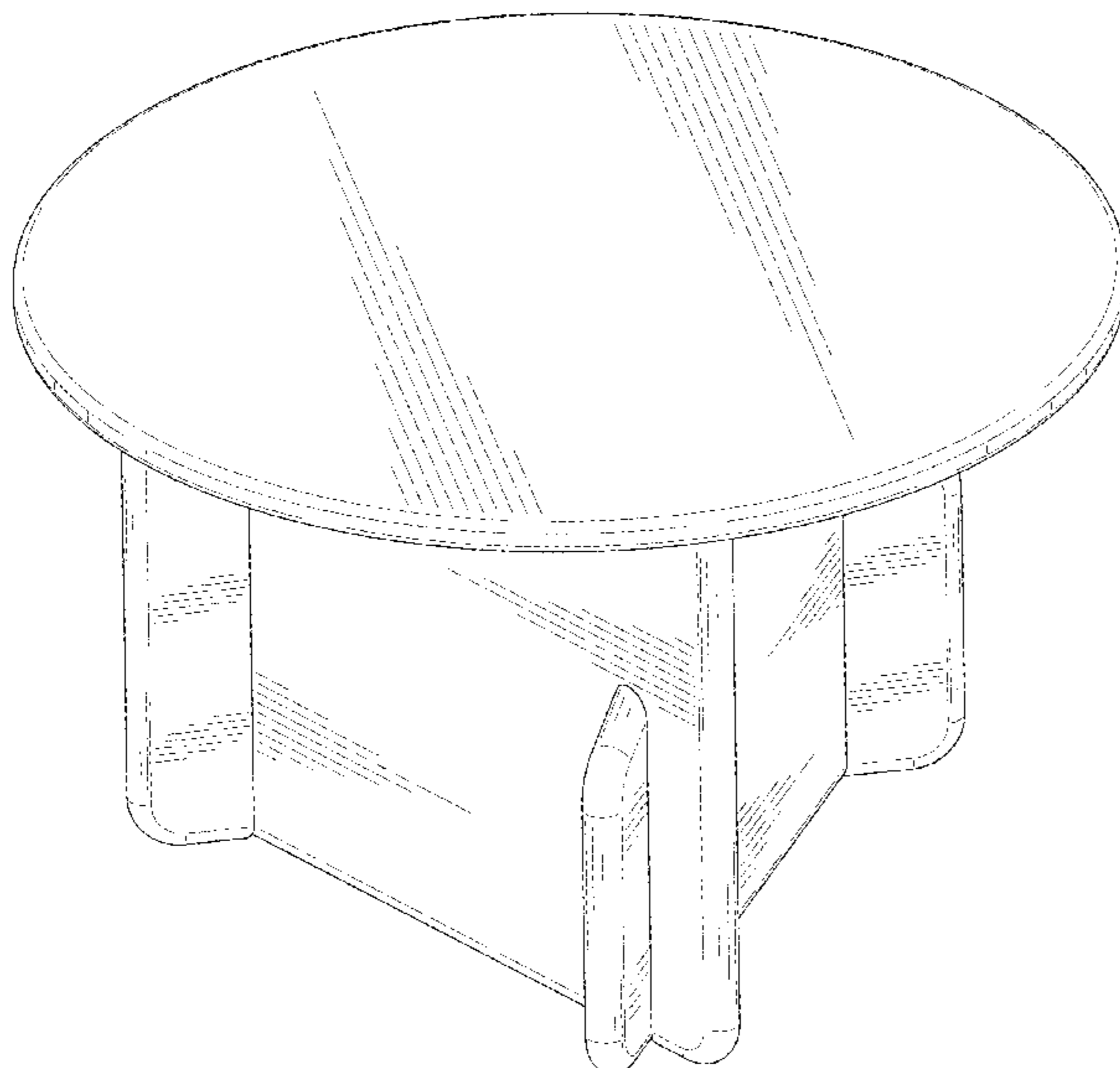
(57) **CLAIM**

The ornamental design for a table, as shown and described.

DESCRIPTION

FIG. 1 is a perspective view of a table showing my new design;
FIG. 2 is another perspective view thereof;
FIG. 3 is a front elevational view thereof;
FIG. 4 is a rear elevational view thereof;
FIG. 5 is a left side elevational view thereof;
FIG. 6 is a right side elevational view thereof;
FIG. 7 is a top plan view thereof; and,
FIG. 8 is a bottom plan view thereof.
The broken lines in the drawings depict portions of the table that form no part of the claimed design.

1 Claim, 8 Drawing Sheets



(56)

References Cited

U.S. PATENT DOCUMENTS

2004/0055515 A1* 3/2004 Chen A47F 5/114
108/157.14

* cited by examiner

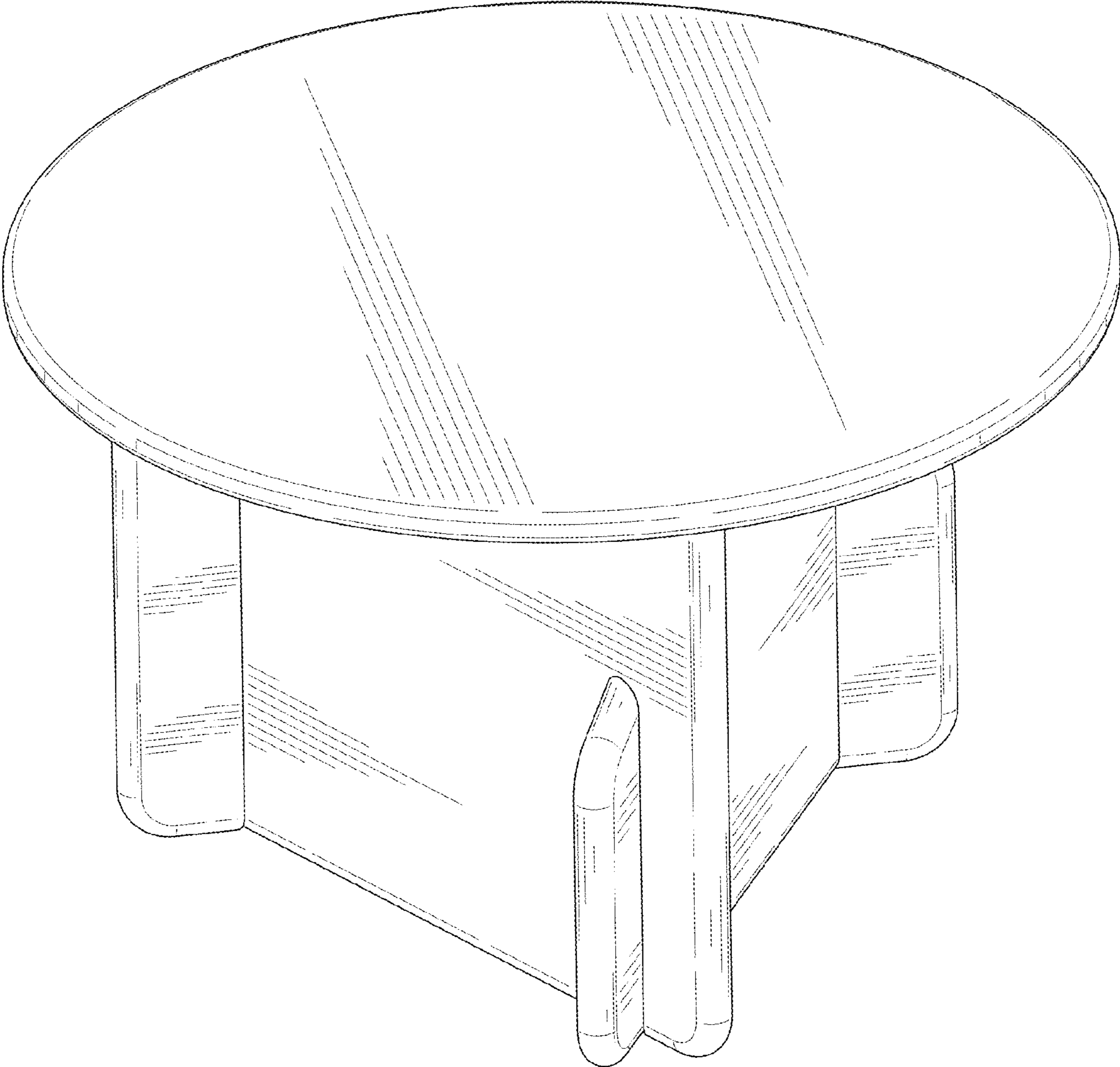


FIG. 1

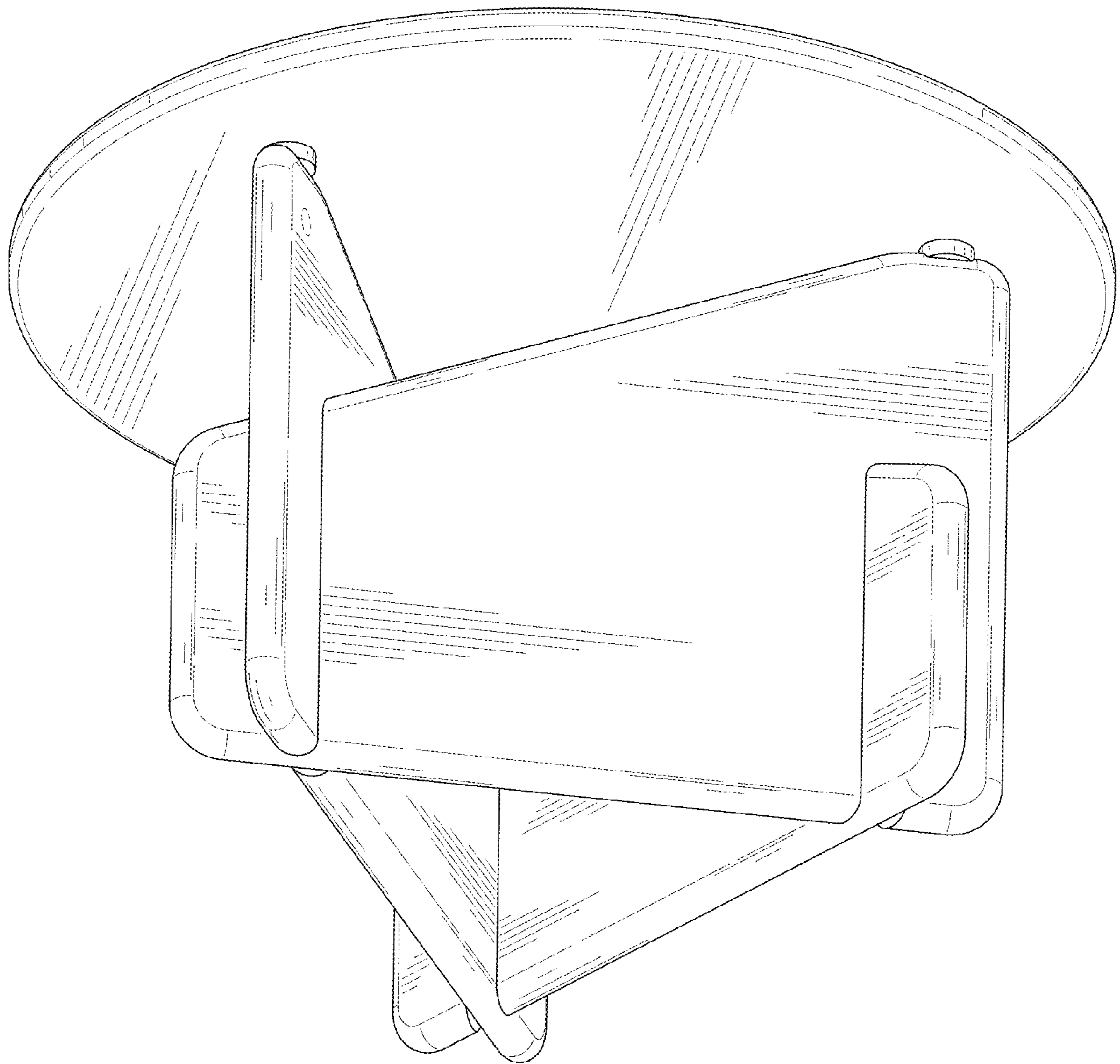


FIG. 2

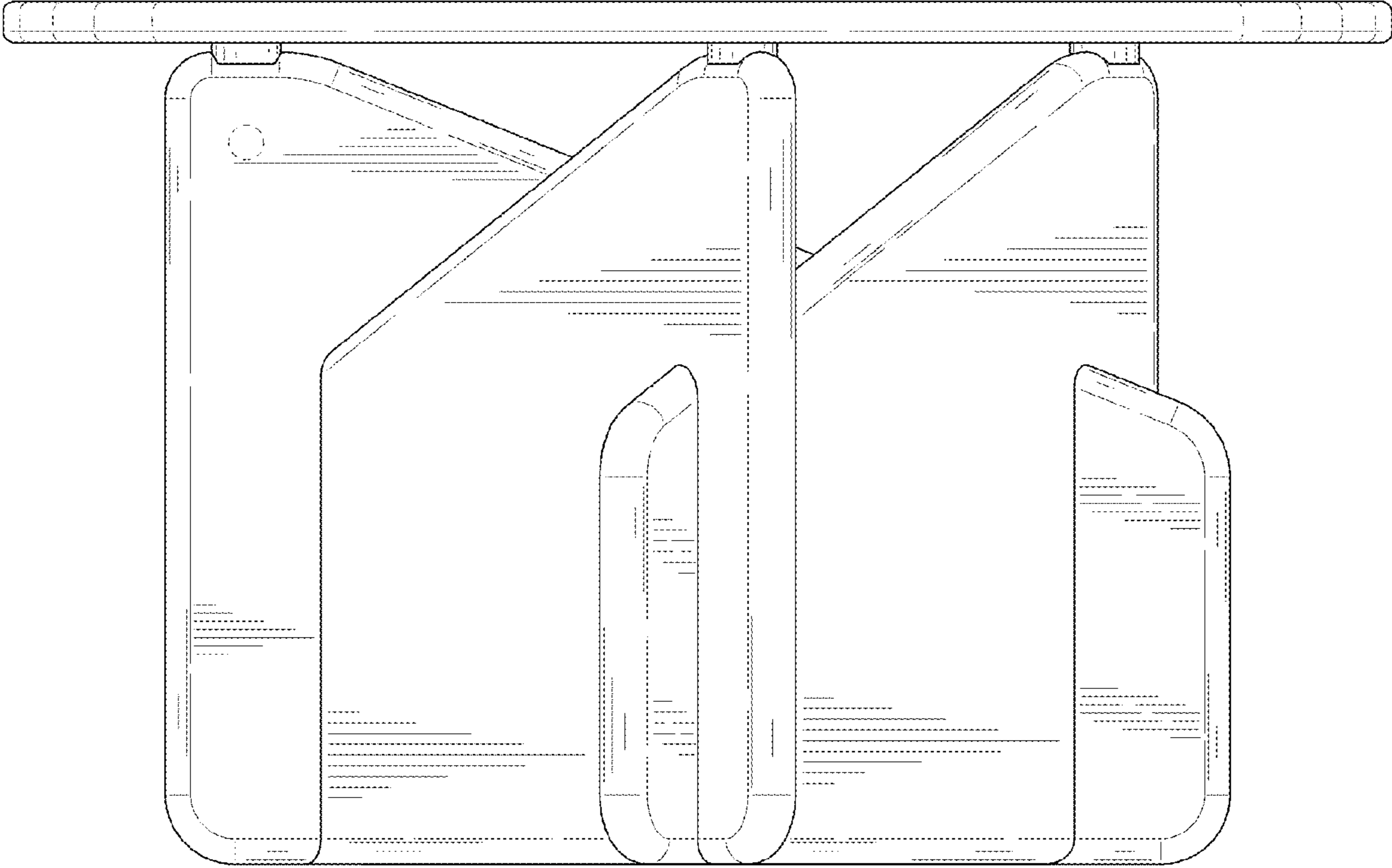


FIG. 3

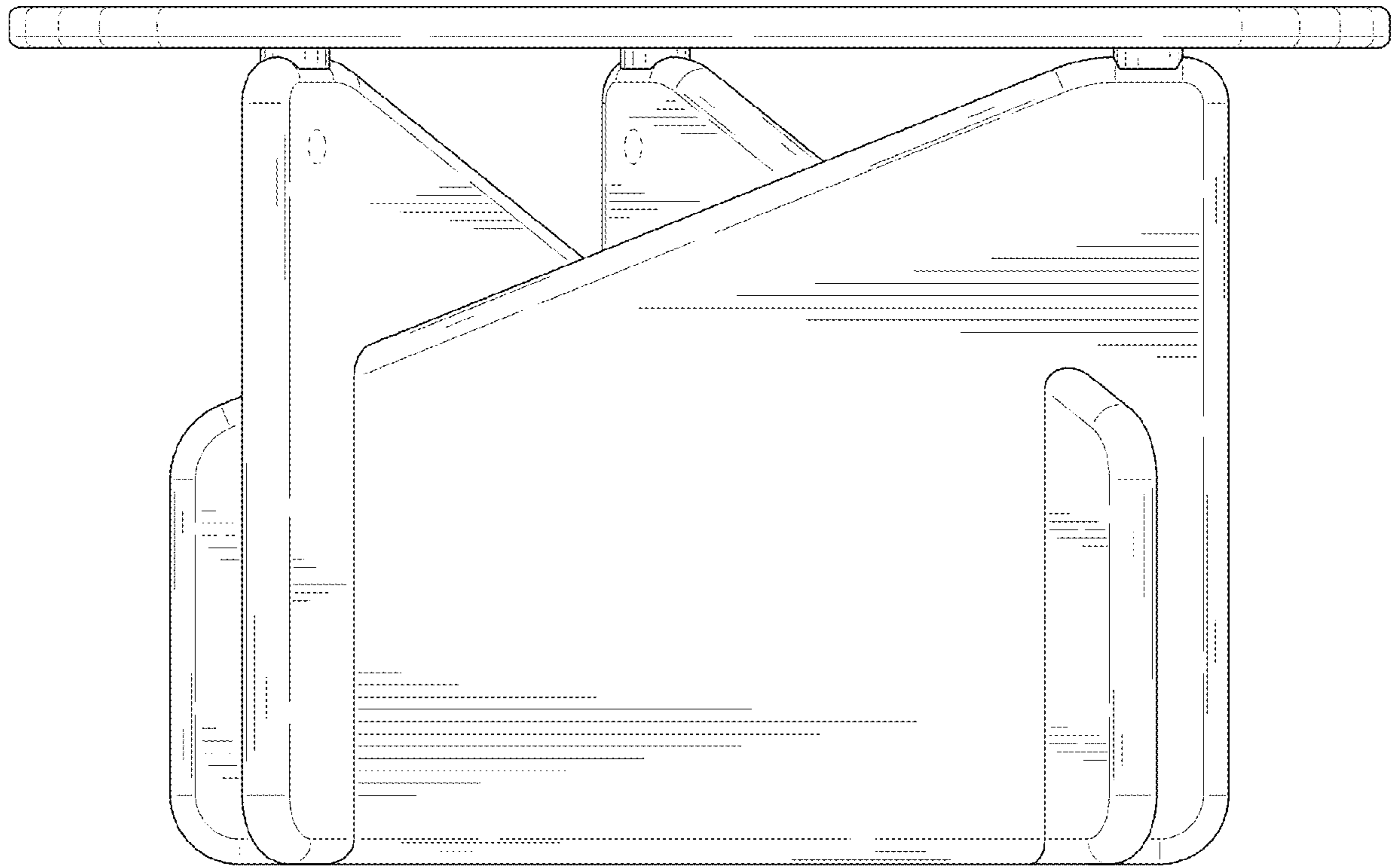


FIG. 4

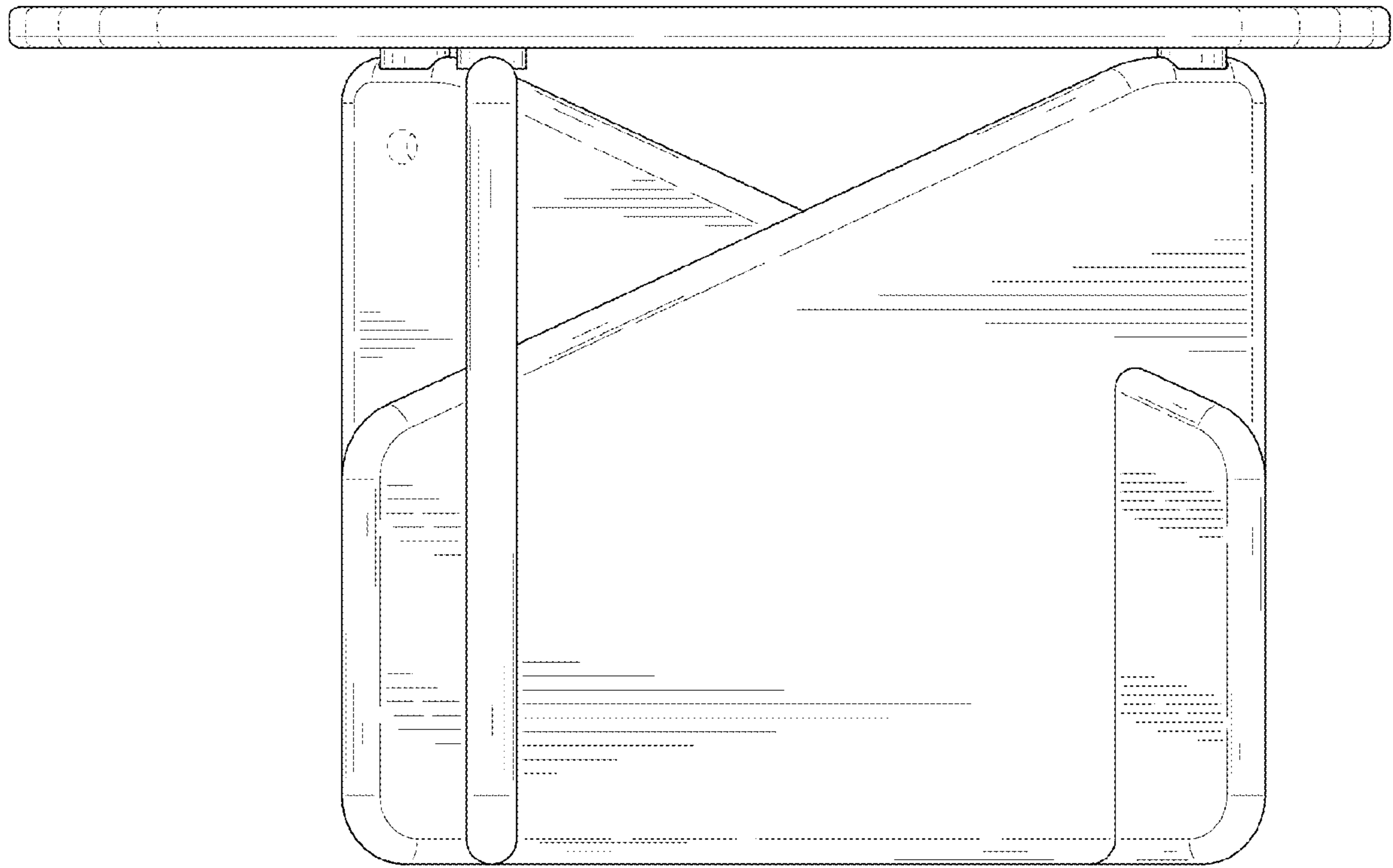


FIG. 5

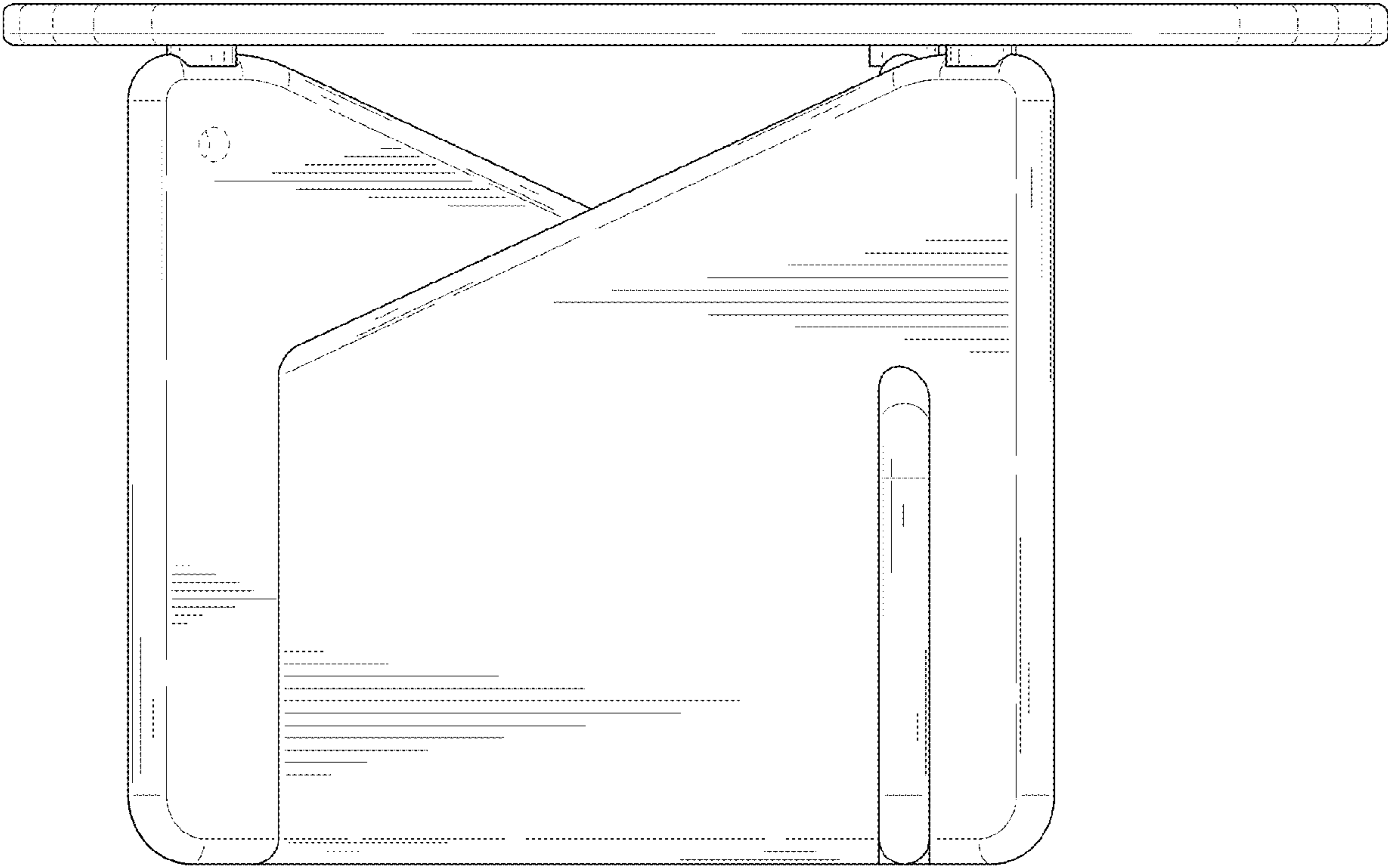


FIG. 6

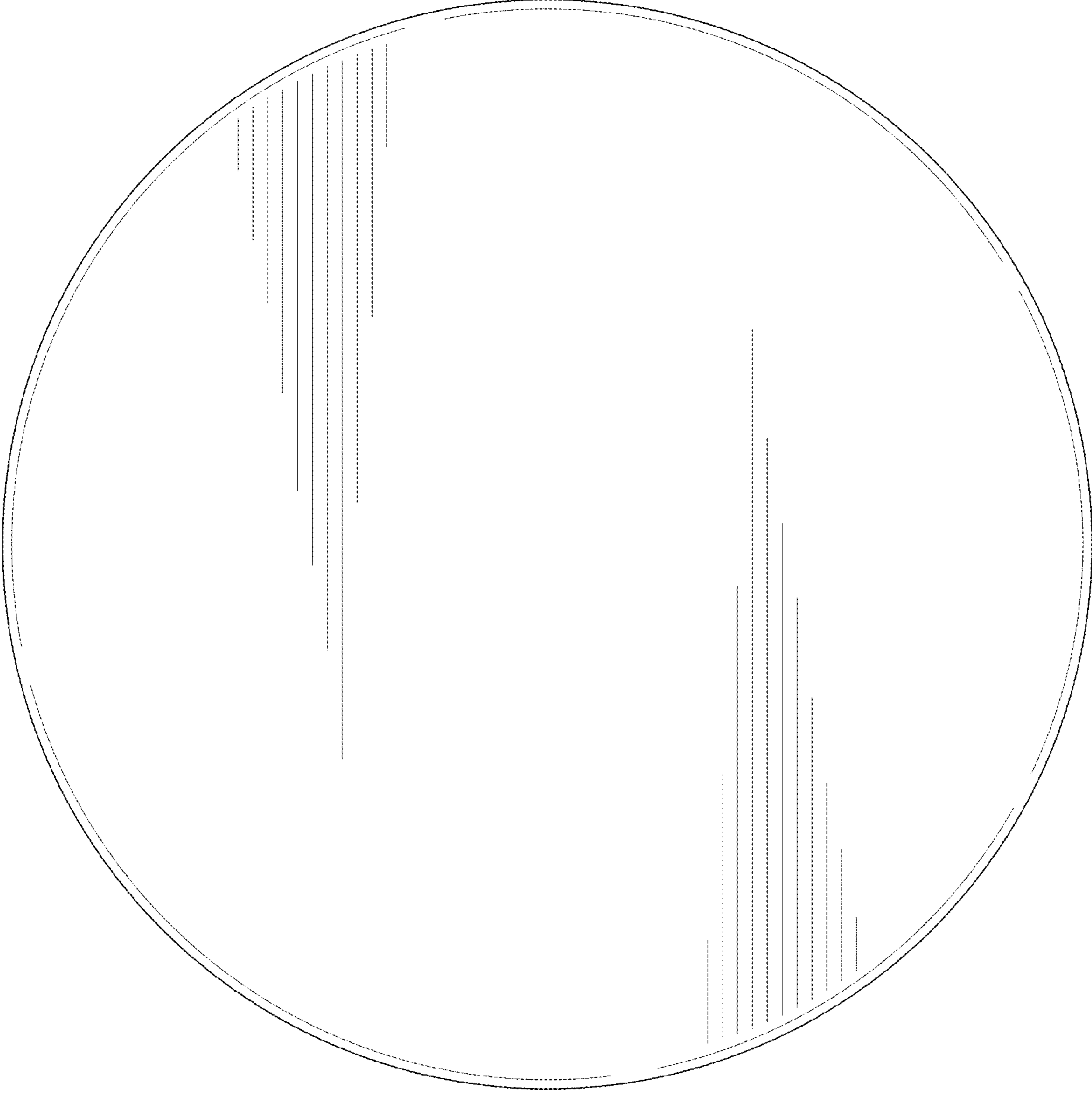


FIG. 7

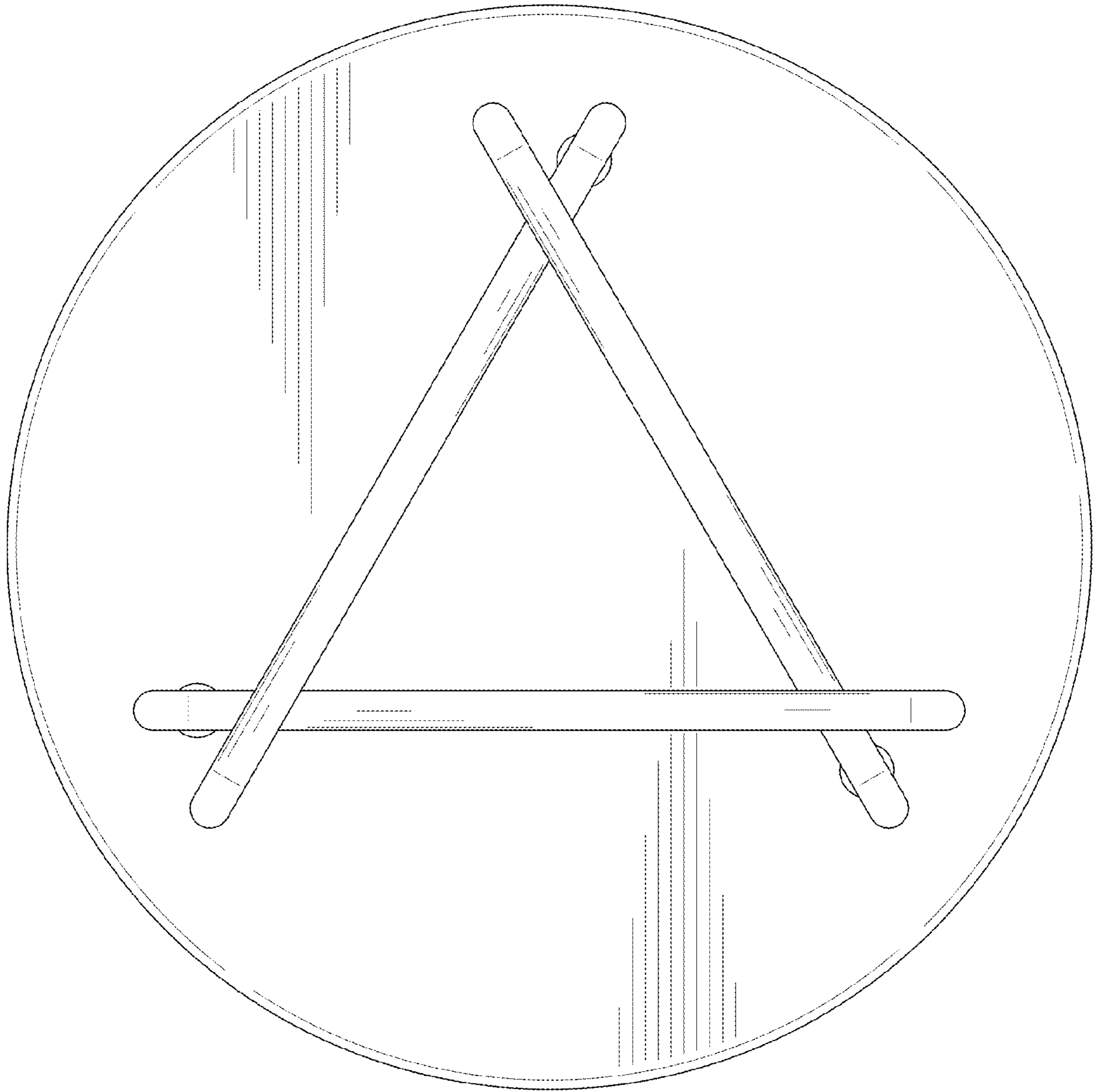


FIG. 8