



US00D985984S

(12) **United States Design Patent**  
**Chandhok**

(10) **Patent No.:** **US D985,984 S**

(45) **Date of Patent:** **\*\* May 16, 2023**

(54) **TABLE**

(71) Applicant: **2109971 Ontario Inc.**, Etobicoke (CA)

(72) Inventor: **Swinder Pal Singh Chandhok**, New Territory (HK)

(73) Assignee: **2109971 Ontario Inc.**, Etobicoke (CA)

(\*\*) Term: **15 Years**

(21) Appl. No.: **29/784,684**

(22) Filed: **May 20, 2021**

(30) **Foreign Application Priority Data**

Mar. 19, 2021 (CA) ..... CA 202154

(51) **LOC (14) Cl.** ..... **06-03**

(52) **U.S. Cl.**  
USPC ..... **D6/691.5**

(58) **Field of Classification Search**  
USPC ... D6/349, 685, 686, 691, 691.1-691.9, 708,  
D6/708.21

CPC ..... A47B 7/00; A47B 13/00; A47B 13/02;  
A47B 13/04; A47B 13/06; A47B 13/08;  
A47B 13/12; A47B 13/21; A47B  
2200/0001; A47B 2200/0011; A47B  
2200/002

See application file for complete search history.

(56) **References Cited**

**U.S. PATENT DOCUMENTS**

D135,508 S \* 4/1943 Mildwoff ..... 30/83  
D142,211 S \* 8/1945 Glukes ..... 108/157.18  
D243,222 S \* 2/1977 Lopez ..... D6/691  
D270,691 S \* 9/1983 Tonucci ..... D6/691.5  
D340,158 S \* 10/1993 Cionini ..... D6/708

D461,071 S \* 8/2002 Diaz-Azcuy ..... D6/708  
D541,560 S \* 5/2007 Muller ..... D6/708  
D543,733 S \* 6/2007 Muller ..... D6/708.17  
D545,087 S \* 6/2007 Muller ..... D6/708  
D578,323 S \* 10/2008 Muller ..... D6/708  
D604,533 S \* 11/2009 Muller ..... D6/708  
D675,847 S \* 2/2013 Mehran ..... D6/691

**OTHER PUBLICATIONS**

Channel Glass Dining Table—Amazon UK, firstavailable Feb. 5, 2015 <https://www.amazon.co.uk/MODERN-FURNITURE-DIRECT-Tempered-Stainless/dp/B00T717JCS> retrieved from the internet on Jan. 7, 2023.\*

Xcella Alex Dining Table—Classic Imports <https://www.classicimportusa.com/products/furniture/dining/dining-tables-dining/alex-dining-table/> retrieved from the internet on Jan. 7, 2023.\*

\* cited by examiner

*Primary Examiner* — Mary Ann Calabrese

(74) *Attorney, Agent, or Firm* — Michael J. Brown

(57) **CLAIM**

I claim the ornamental design for the table, as shown and described.

**DESCRIPTION**

FIG. 1 is a front perspective view of a table showing my new design.

FIG. 2 is a front view thereof.

FIG. 3 is a right side view thereof.

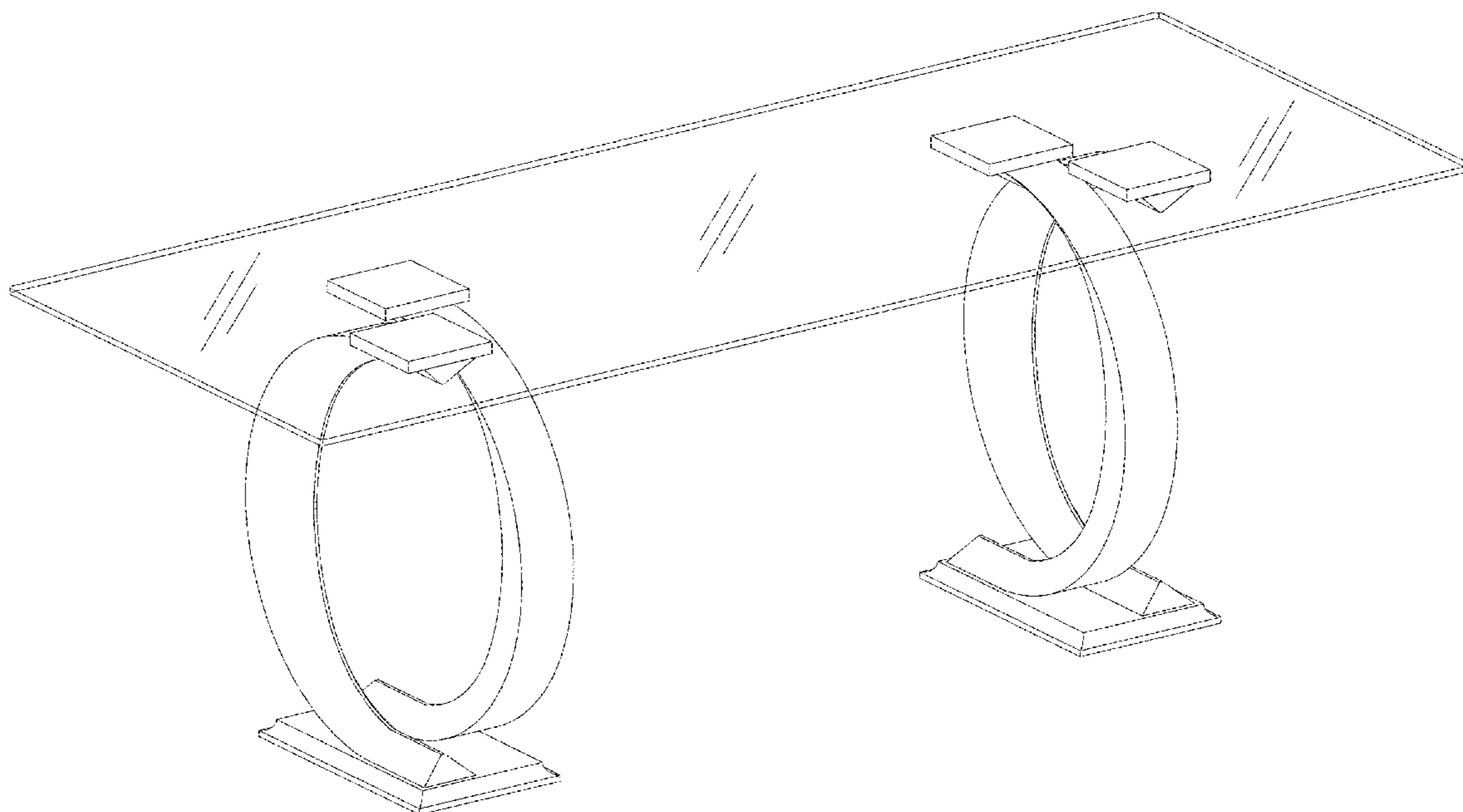
FIG. 4 is a left side view thereof.

FIG. 5 is a top view thereof; and,

FIG. 6 is a bottom view thereof.

The broken lines in the drawings, including the broken lines within the base of the table in FIG. 6, are for the purpose of illustrating portions of the table that form no part of the claimed design.

**1 Claim, 6 Drawing Sheets**



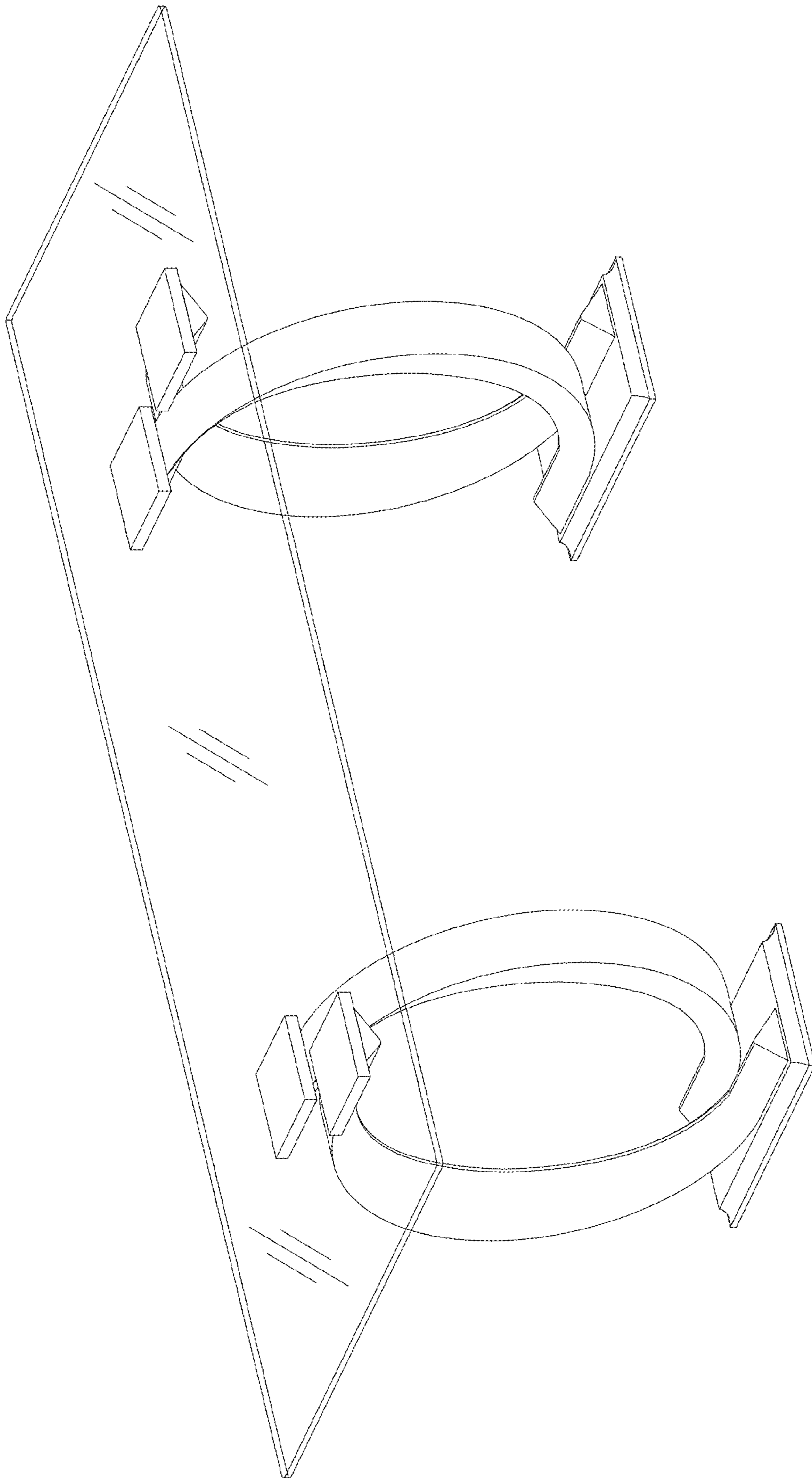


FIG. 1

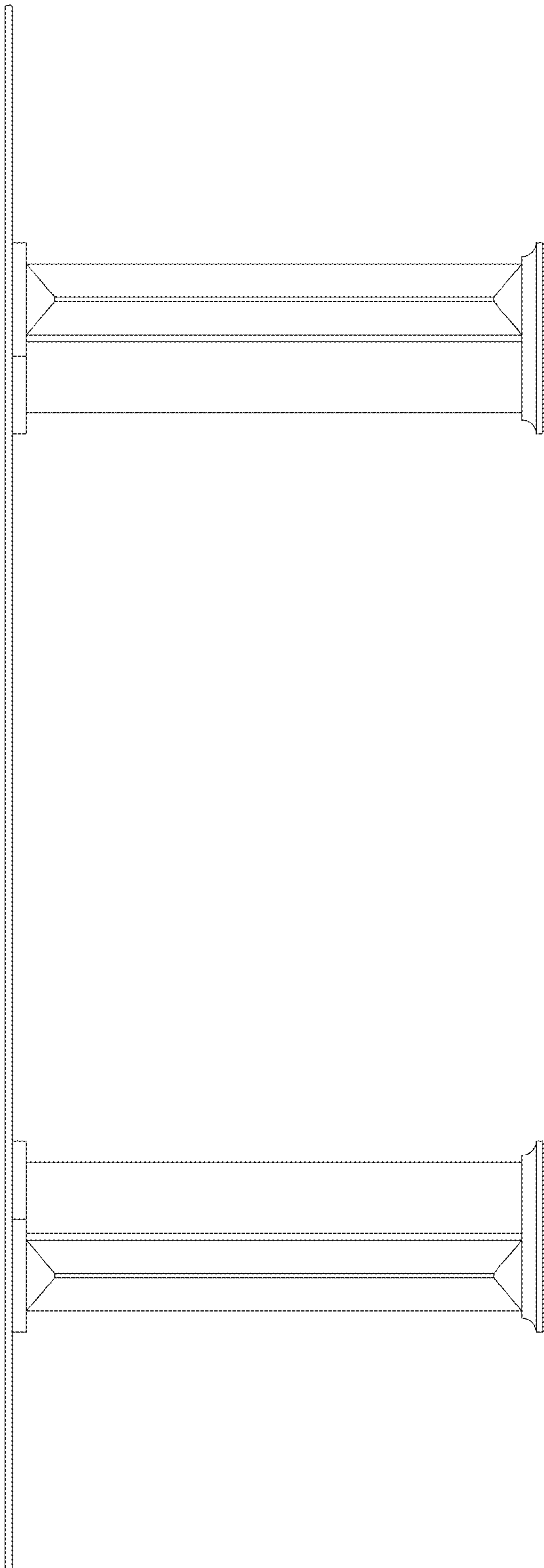


FIG. 2

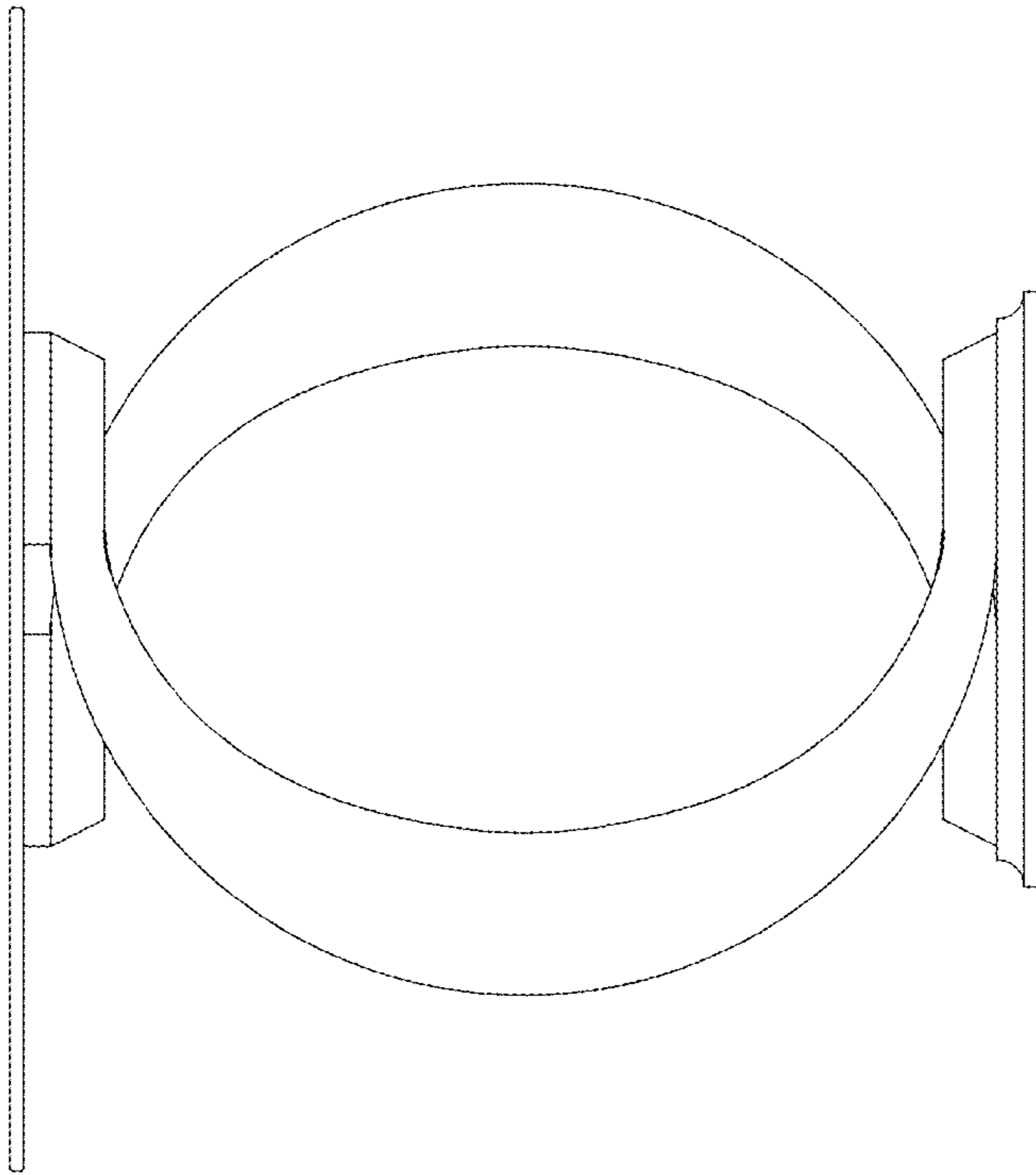


FIG. 3

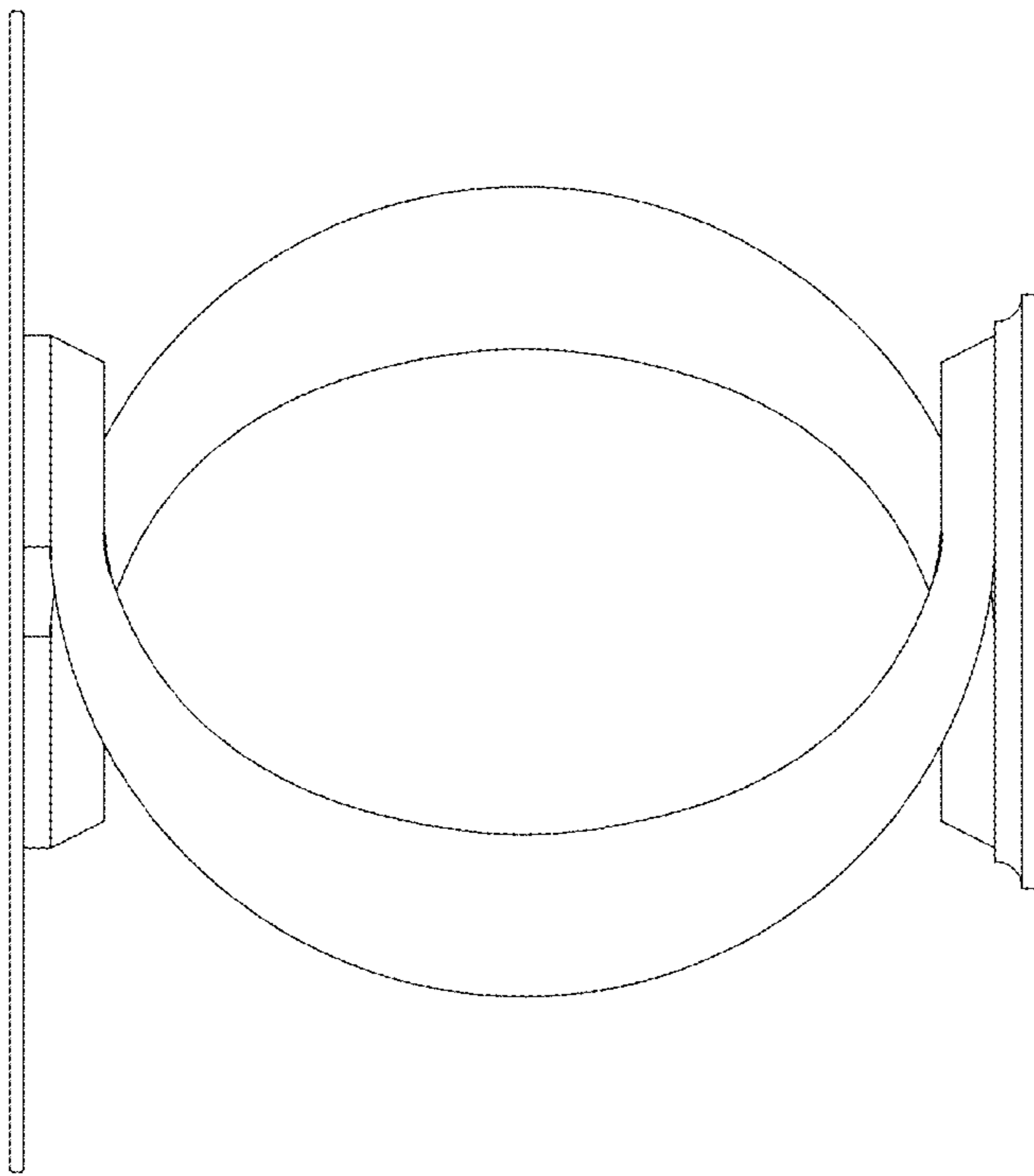


FIG. 4

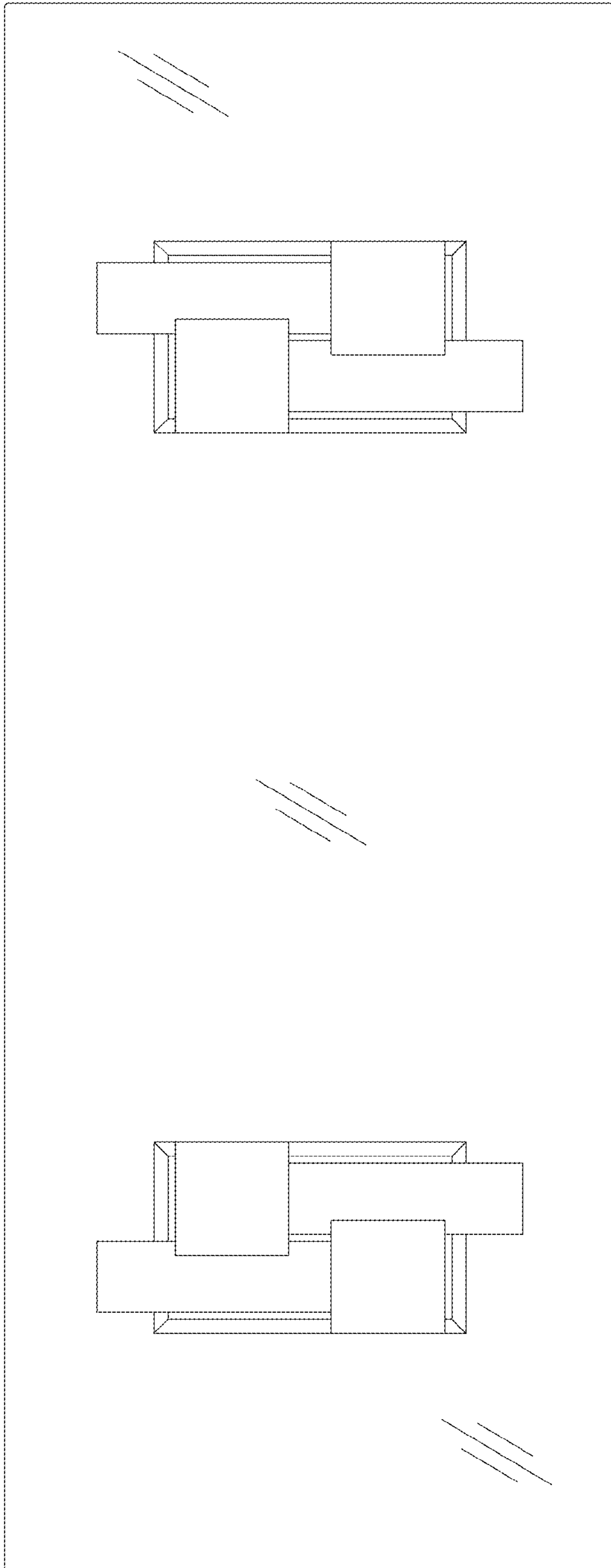


FIG. 5

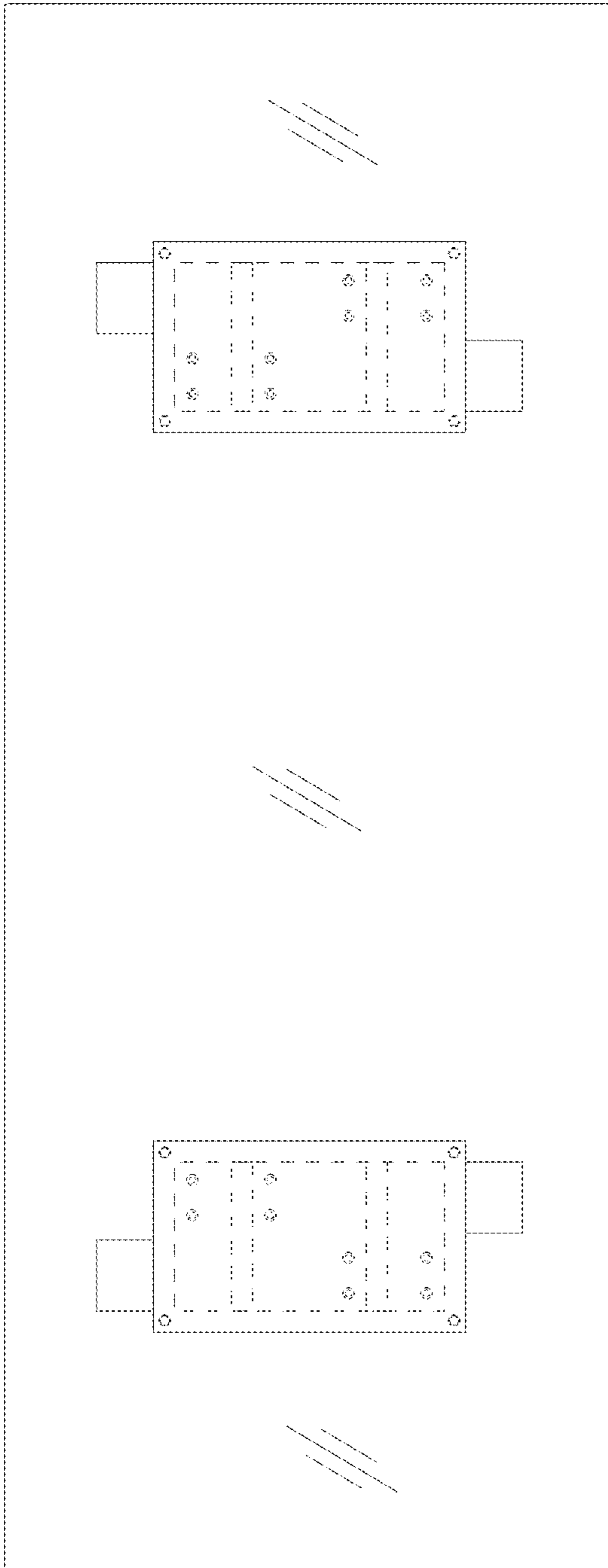


FIG. 6