



US00D985983S

(12) **United States Design Patent**  
**Nichetto**

(10) **Patent No.:** **US D985,983 S**

(45) **Date of Patent:** **\*\* May 16, 2023**

- (54) **TABLE**
- (71) Applicant: **Sancal Diseño, S.L.**, Yecla (ES)
- (72) Inventor: **Luca Nichetto**, Stockholm (SE)
- (73) Assignee: **Sancal Diseño, S.L.**, Yecla (ES)
- (\*\*) Term: **15 Years**
- (21) Appl. No.: **29/753,514**
- (22) Filed: **Sep. 30, 2020**
- (30) **Foreign Application Priority Data**

Apr. 6, 2020 (EM) ..... 007794235-0004

- (51) **LOC (14) Cl.** ..... **06-03**
- (52) **U.S. Cl.**  
USPC ..... **D6/691.1**
- (58) **Field of Classification Search**  
USPC ... D6/685, 686, 690, 691, 691.1-691.9, 707,  
D6/707.19  
CPC ..... A47B 7/00; A47B 11/00; A47B 13/00;  
A47B 13/02; A47B 13/04; A47B 13/06;  
A47B 13/08; A47B 13/10; A47B 13/12;  
A47B 17/00; A47B 21/00; A47B  
2200/0001; A47B 2200/0011; A47B  
2200/002  
See application file for complete search history.

(56) **References Cited**

**U.S. PATENT DOCUMENTS**

- 3,883,104 A \* 5/1975 Delafield ..... A47B 91/005  
248/188
- 5,421,270 A \* 6/1995 Kelly ..... A47F 5/083  
108/159

- 5,876,262 A \* 3/1999 Kelly ..... A63H 33/22  
108/23
  - D476,823 S \* 7/2003 Jackson ..... D6/691.6
  - D511,916 S \* 11/2005 Shapiro ..... A47F 5/083  
D6/675
  - D851,180 S \* 6/2019 Pihl ..... A47B 91/005  
D21/491
  - 2013/0025508 A1\* 1/2013 Leng ..... A47B 13/08  
52/782.2
  - 2016/0255956 A1\* 9/2016 Dilmaghani ..... A47B 13/003
- \* cited by examiner

*Primary Examiner* — Mary Ann Calabrese

(74) *Attorney, Agent, or Firm* — Banner & Witcoff, Ltd.

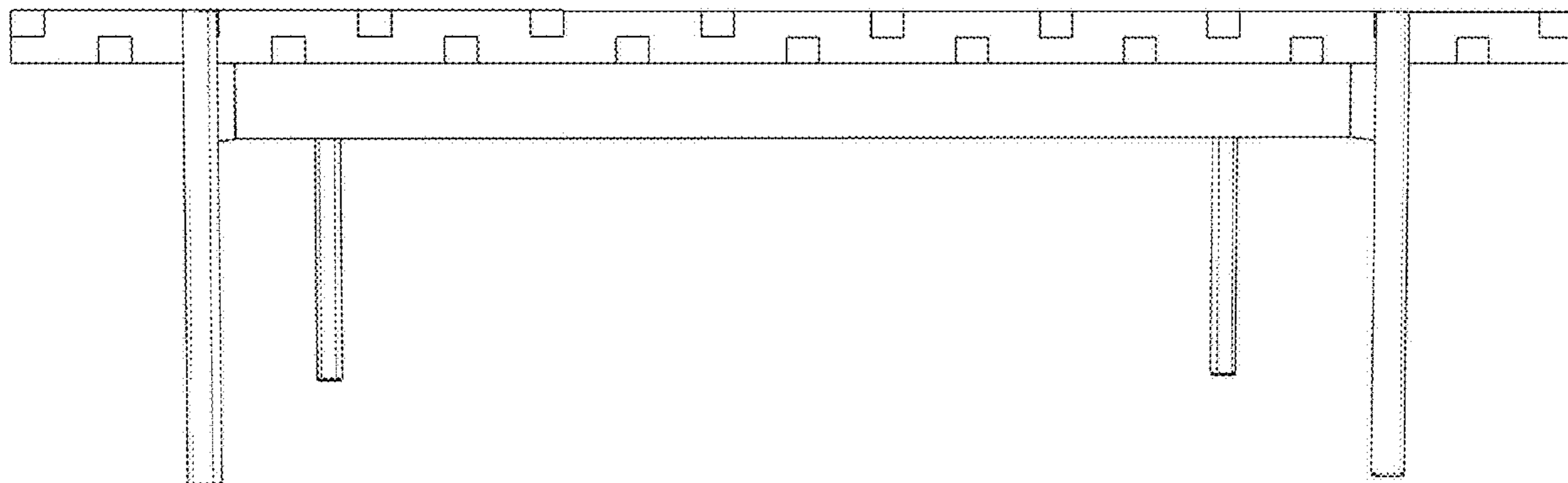
(57) **CLAIM**

The ornamental design for a table, as shown and described.

**DESCRIPTION**

FIG. 1 is a front perspective view of a table showing my new design;  
 FIG. 2 is a rear perspective view thereof;  
 FIG. 3 is a first top, front, right-side perspective view thereof;  
 FIG. 4 is a second top, front, right-side perspective view thereof;  
 FIG. 5 is a top view thereof;  
 FIG. 6 is a top, front, left-side perspective view thereof;  
 FIG. 7 is a top, front perspective view thereof; and,  
 FIG. 8 is a bottom, front, left-side perspective view thereof.

**1 Claim, 8 Drawing Sheets**



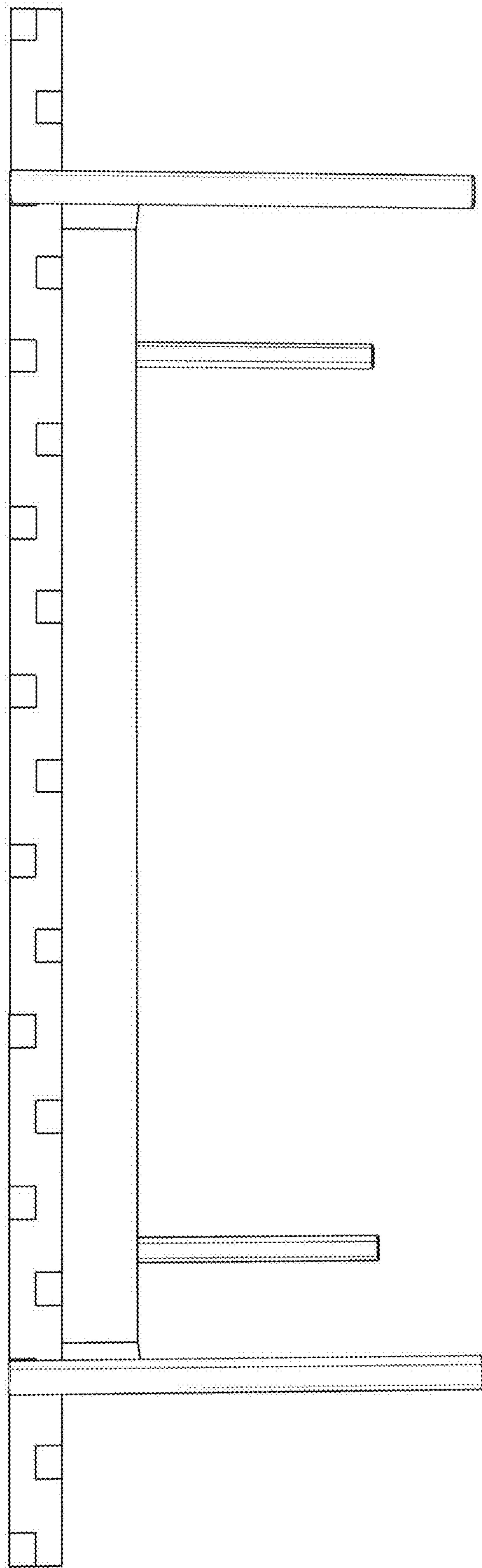


FIG. 1

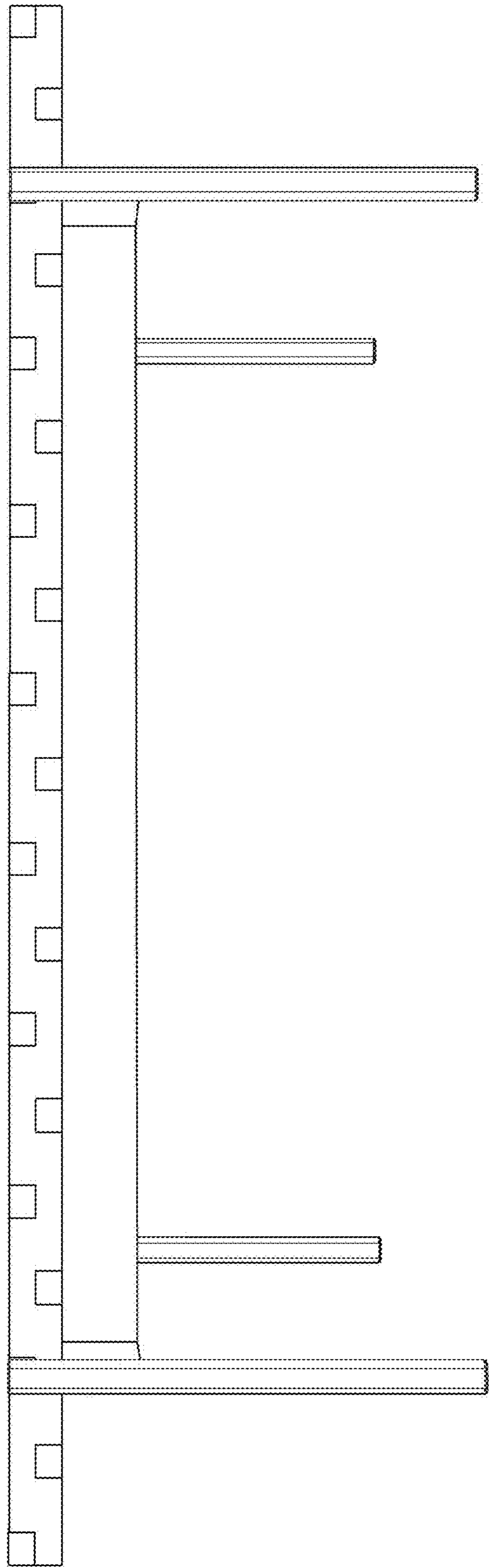


FIG. 2

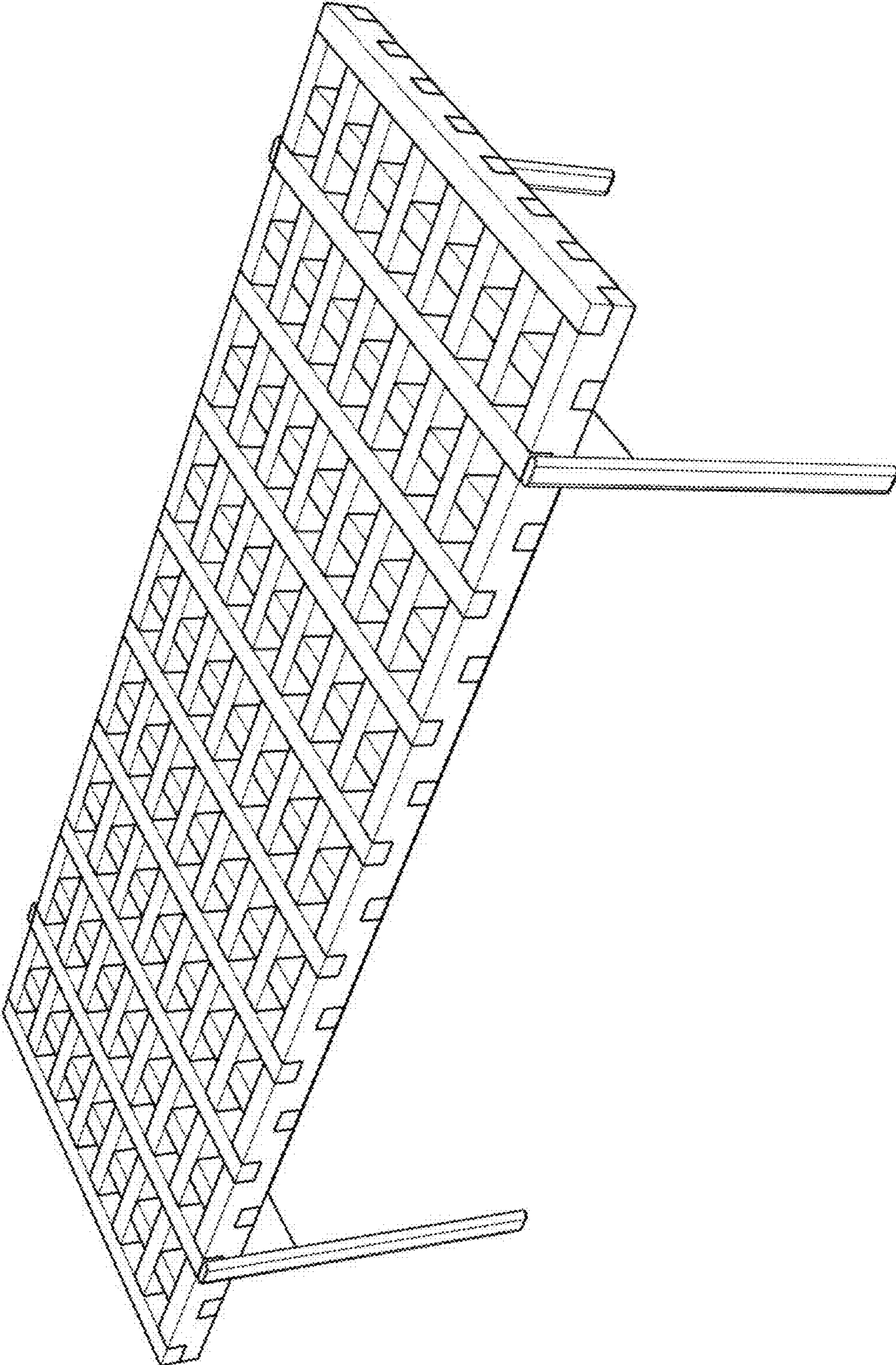


FIG. 3



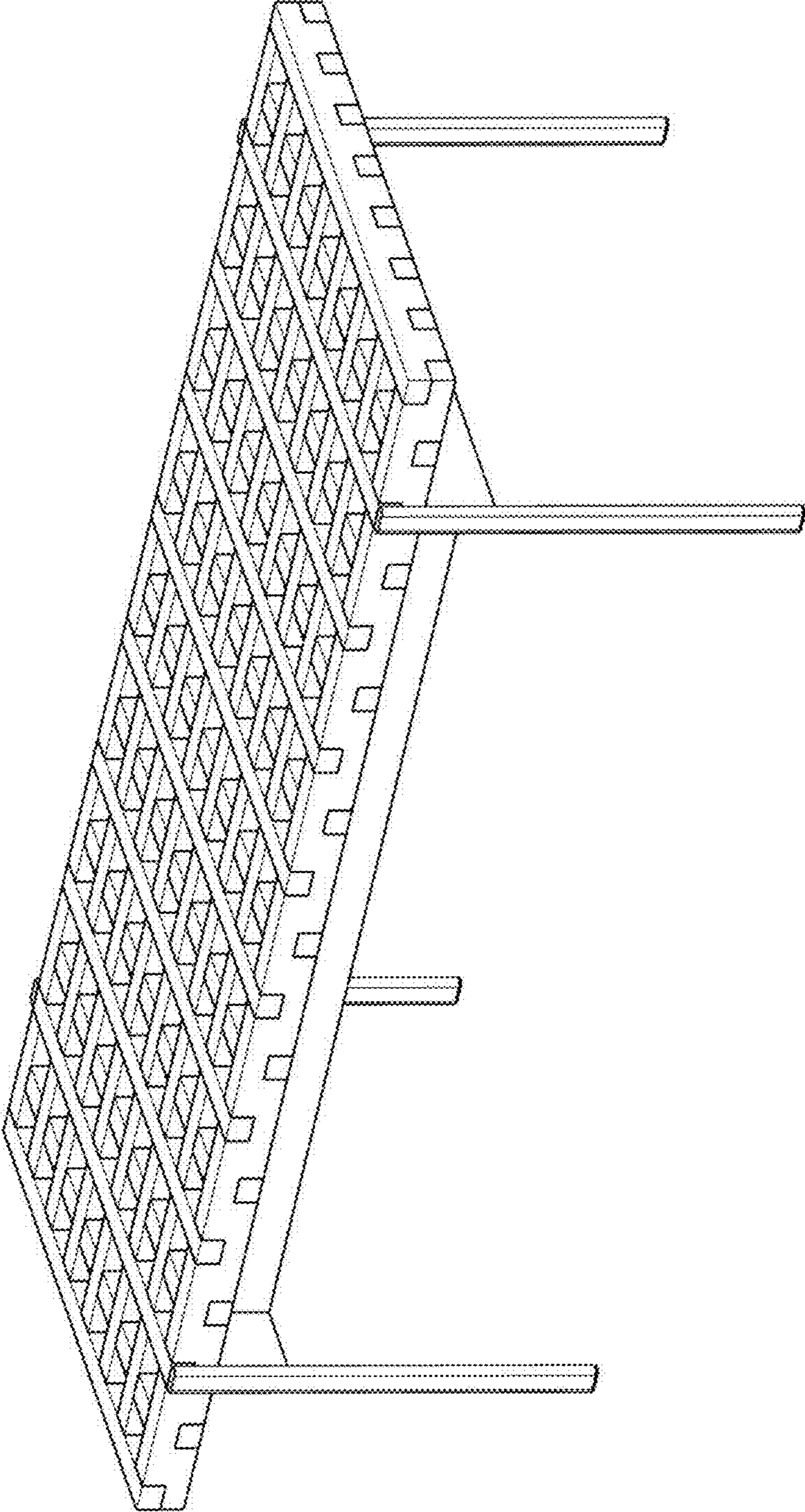


FIG. 4

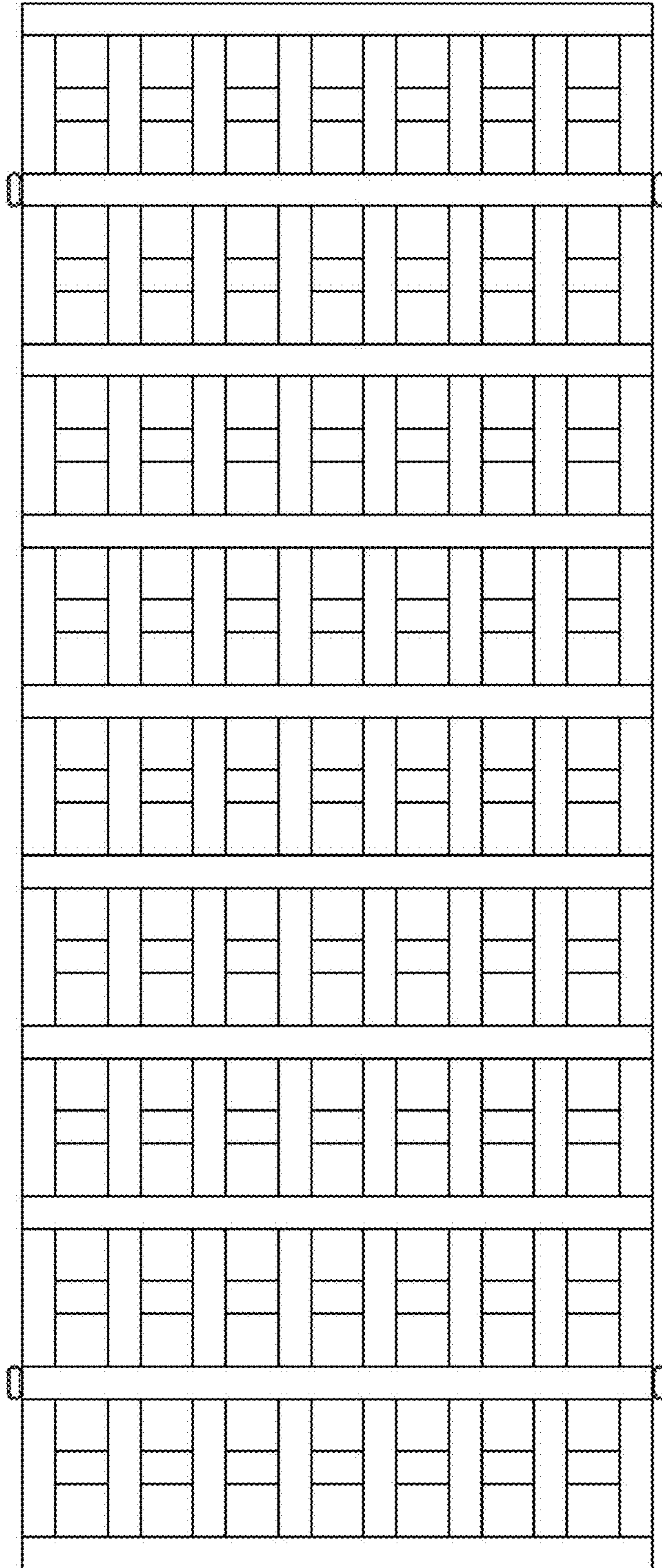


FIG. 5

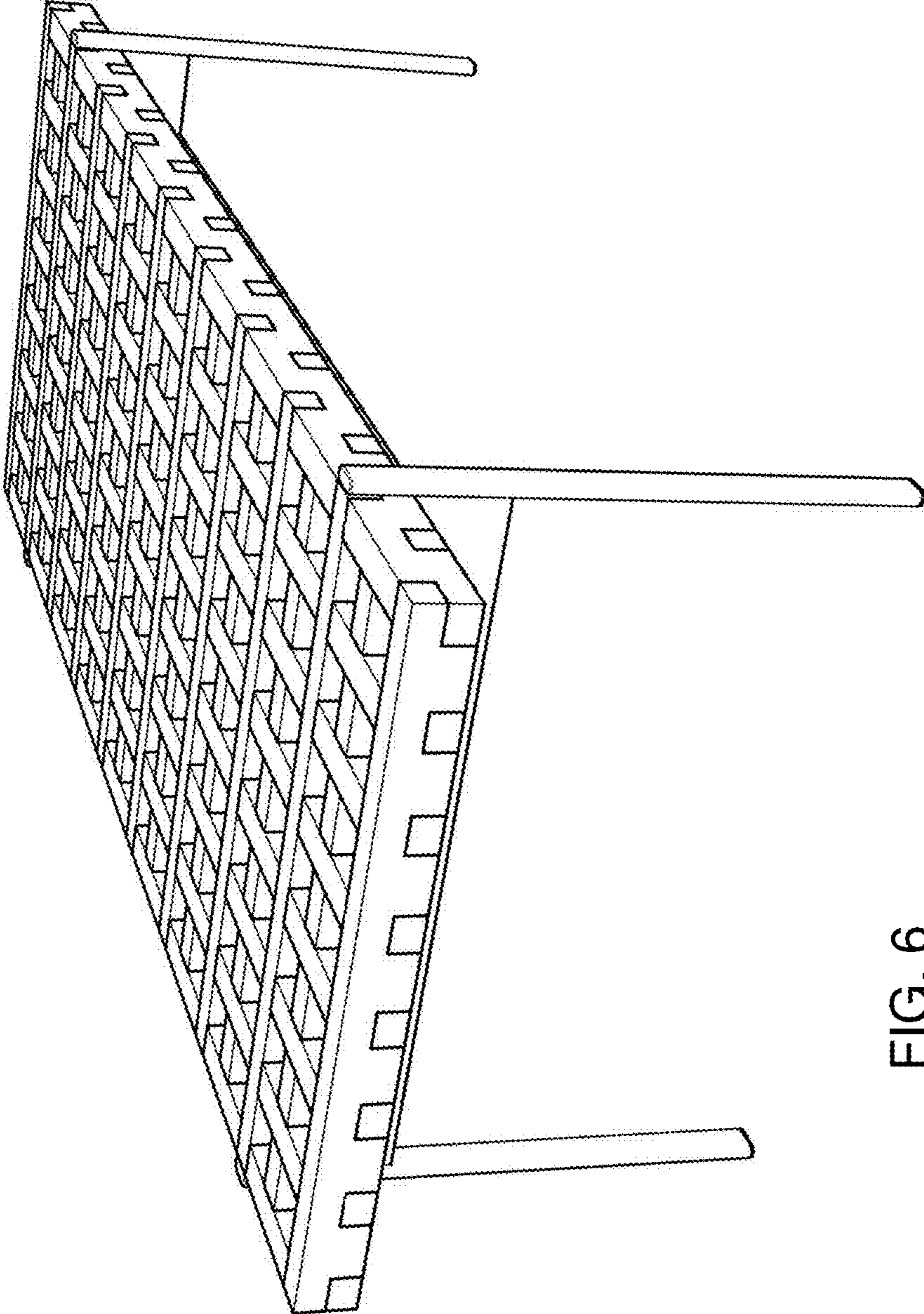


FIG. 6



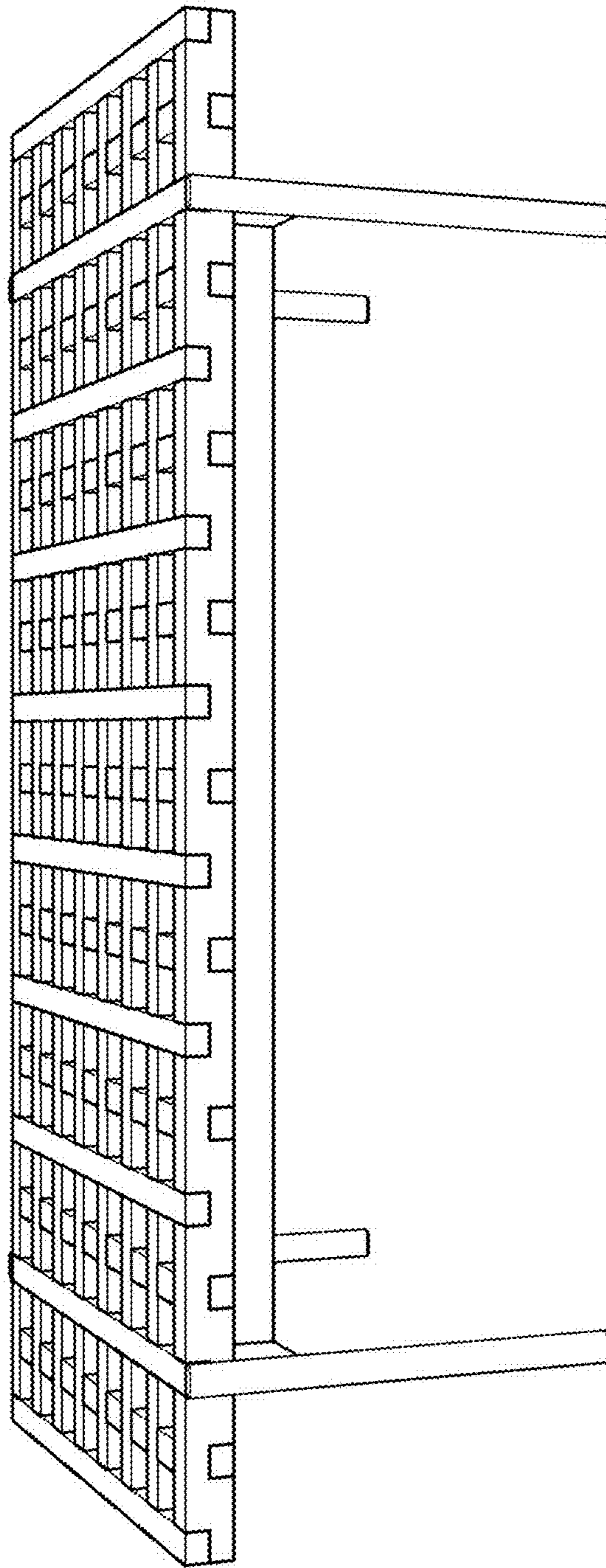


FIG. 7



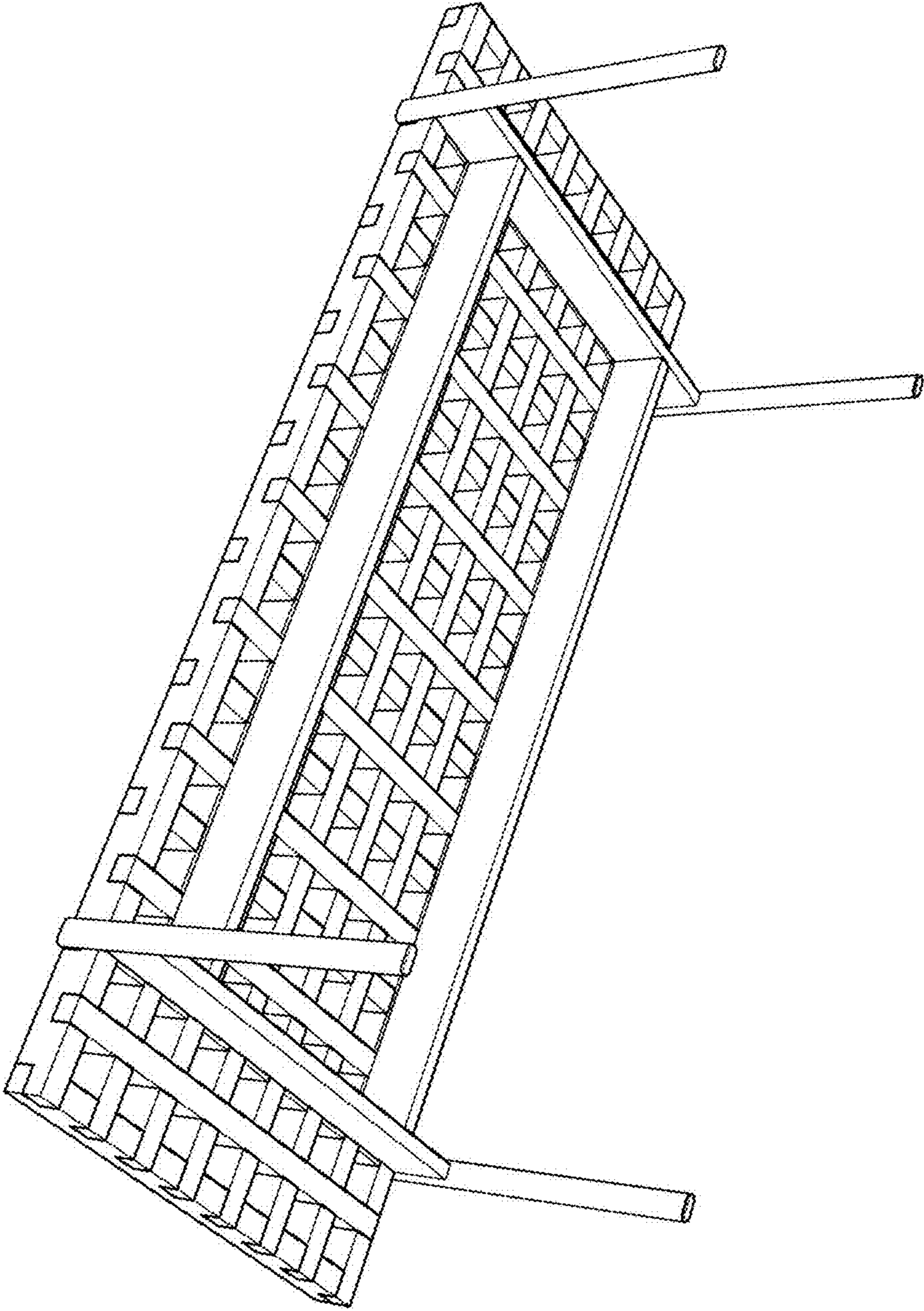


FIG. 8