



US00D985982S

(12) **United States Design Patent** (10) **Patent No.:** **US D985,982 S**
Luo (45) **Date of Patent:** **** May 16, 2023**

(54) **KEYBOARD STAND** 6,923,416 B1 * 8/2005 Hsieh G10H 1/32
248/431
(71) Applicant: **Zhaoqing Tianze Network Technology** D643,648 S 8/2011 Eason
Co., LTD., Zhaoqing (CN) 7,988,137 B2 * 8/2011 Johnson F16M 11/28
248/164
(72) Inventor: **Huiping Luo, Zhaoqing (CN)** D647,725 S * 11/2011 Seidel D6/681
D648,571 S * 11/2011 Eason D6/682.5
D808,191 S * 1/2018 Wilson D6/552
(73) Assignee: **Zhaoqing Tianze Network Technology** 2015/0267859 A1 * 9/2015 Carpenter F16M 11/32
Co., LTD., Zhaoqing (CN) 84/423 R

(**) Term: **15 Years**

(21) Appl. No.: **29/870,636**

(22) Filed: **Feb. 1, 2023**

(51) **LOC (14) Cl.** **06-04**

(52) **U.S. Cl.**
USPC **D6/682**

(58) **Field of Classification Search**
USPC D6/682-682.5; D17/99
CPC F16M 11/32; F16M 11/247; F16M 11/38;
F16M 11/242; F16M 11/24; G10G 5/00
See application file for complete search history.

(56) **References Cited**

U.S. PATENT DOCUMENTS

137,960 A * 4/1873 Rearden D06F 57/08
211/200
D247,034 S * 1/1978 Brodmann D34/17
D278,670 S * 5/1985 Schoenig D6/682
D289,952 S * 5/1987 Kido D6/681.1
4,763,865 A * 8/1988 Danner G10G 5/00
108/118
D306,943 S * 4/1990 Hodge D6/682
D332,882 S * 2/1993 Graves D17/99
5,199,930 A * 4/1993 Weber A63K 3/043
248/164
5,358,204 A * 10/1994 Terada G10H 1/32
108/118
5,467,953 A * 11/1995 Malizia F16M 11/38
248/164
D383,333 S * 9/1997 Mechem, Jr. D6/678.4
D475,555 S * 6/2003 Lauts D6/682

OTHER PUBLICATIONS

Yamaha keyboard stand, Reid Music website 2023, site visited Feb. 3, 2023, <https://www.reidmusic.com/products/yamaha-yks-1000-x-keyboard-stand>.*

* cited by examiner

Primary Examiner — John R Yeh
(74) Attorney, Agent, or Firm — Nitin Kaushik

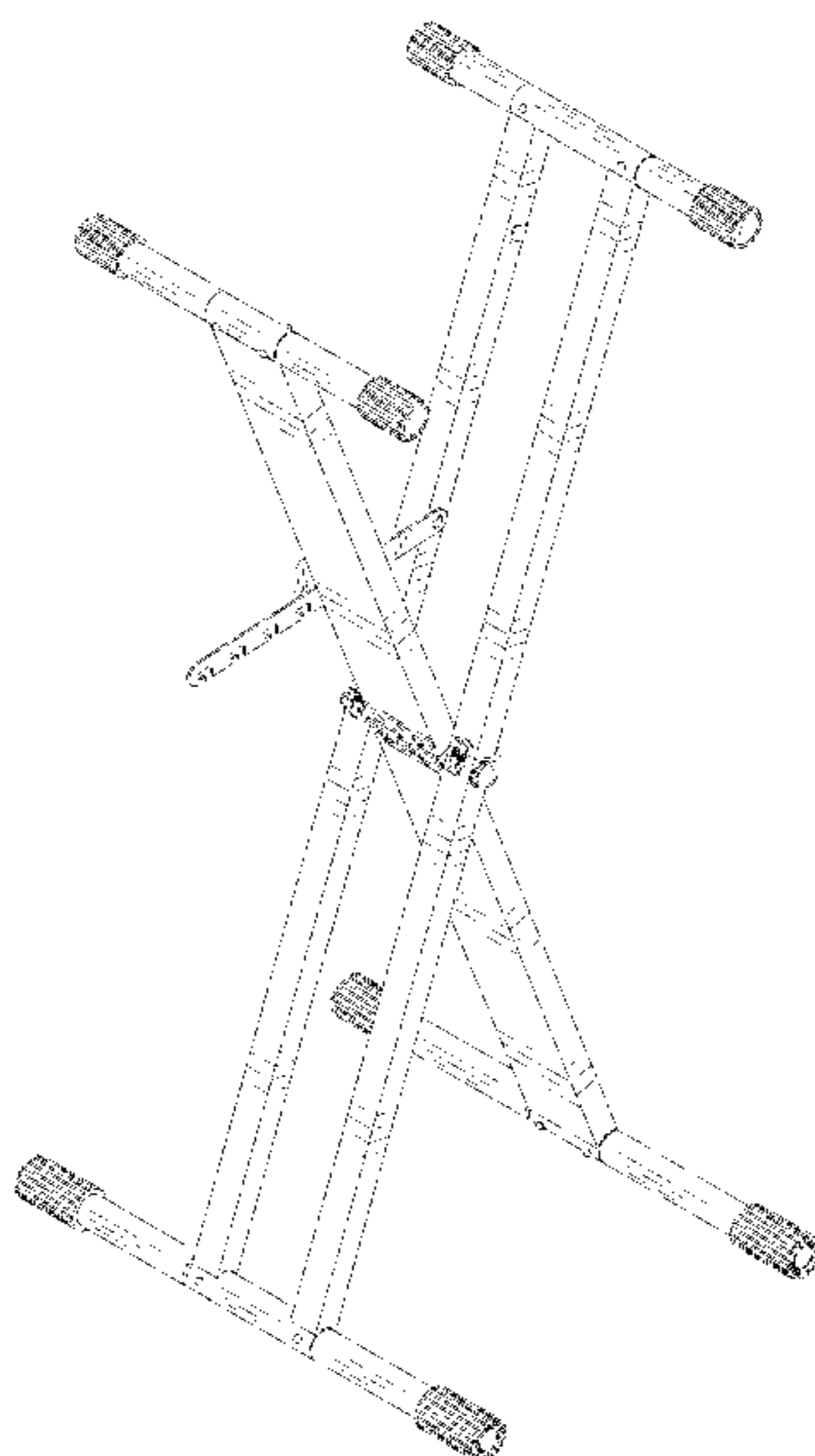
(57) **CLAIM**

The ornamental design for a keyboard stand, as shown and described.

DESCRIPTION

FIG. 1 is a front perspective view for a keyboard stand, showing my new design;
FIG. 2 is a perspective view showing the keyboard stand in a folded state;
FIG. 3 is a front view of the keyboard stand from FIG. 1;
FIG. 4 is a rear view thereof;
FIG. 5 is a left side view thereof;
FIG. 6 is a right side view thereof;
FIG. 7 is a top view thereof; and,
FIG. 8 is a bottom view thereof.

1 Claim, 8 Drawing Sheets



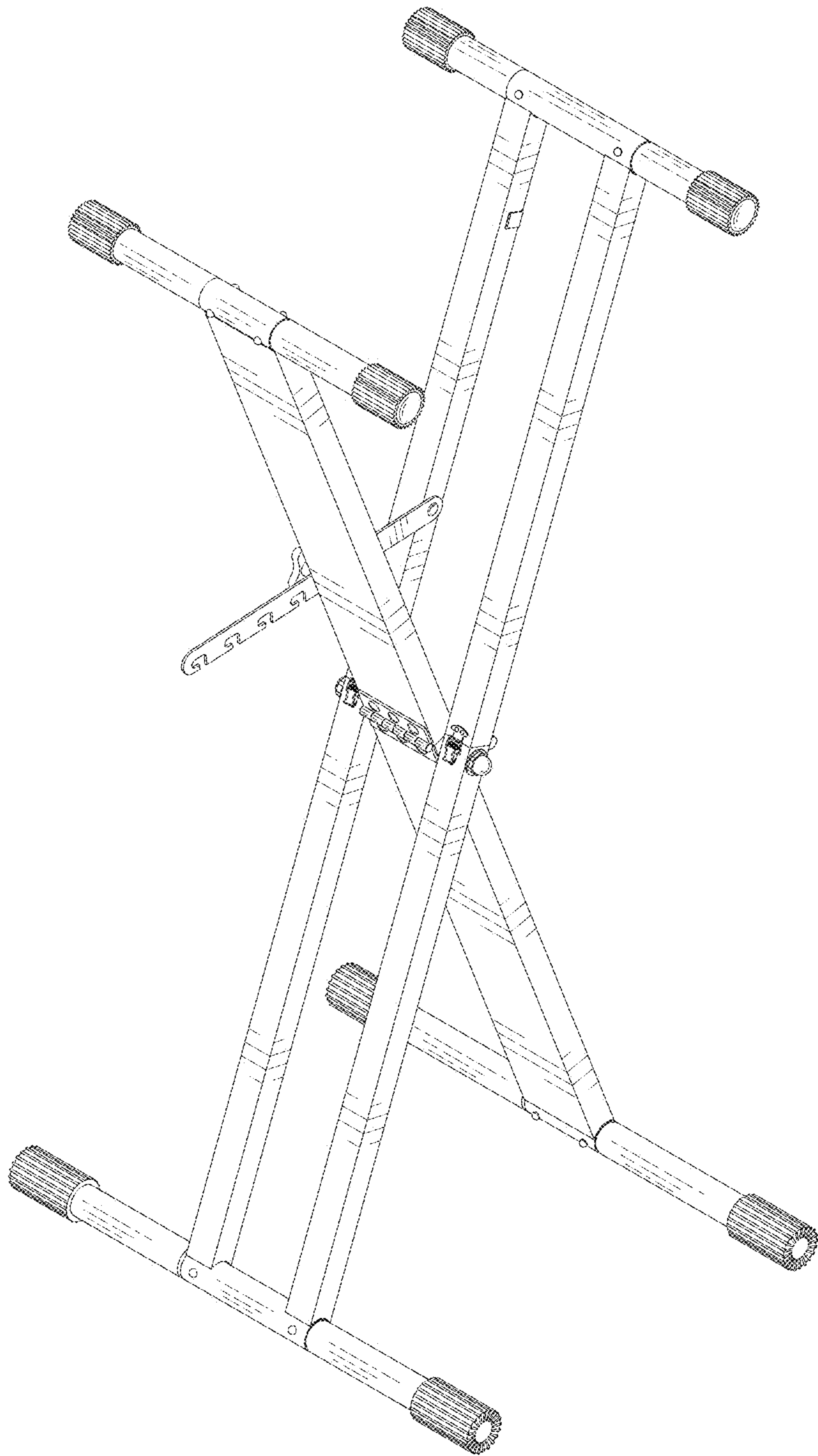


FIG. 1

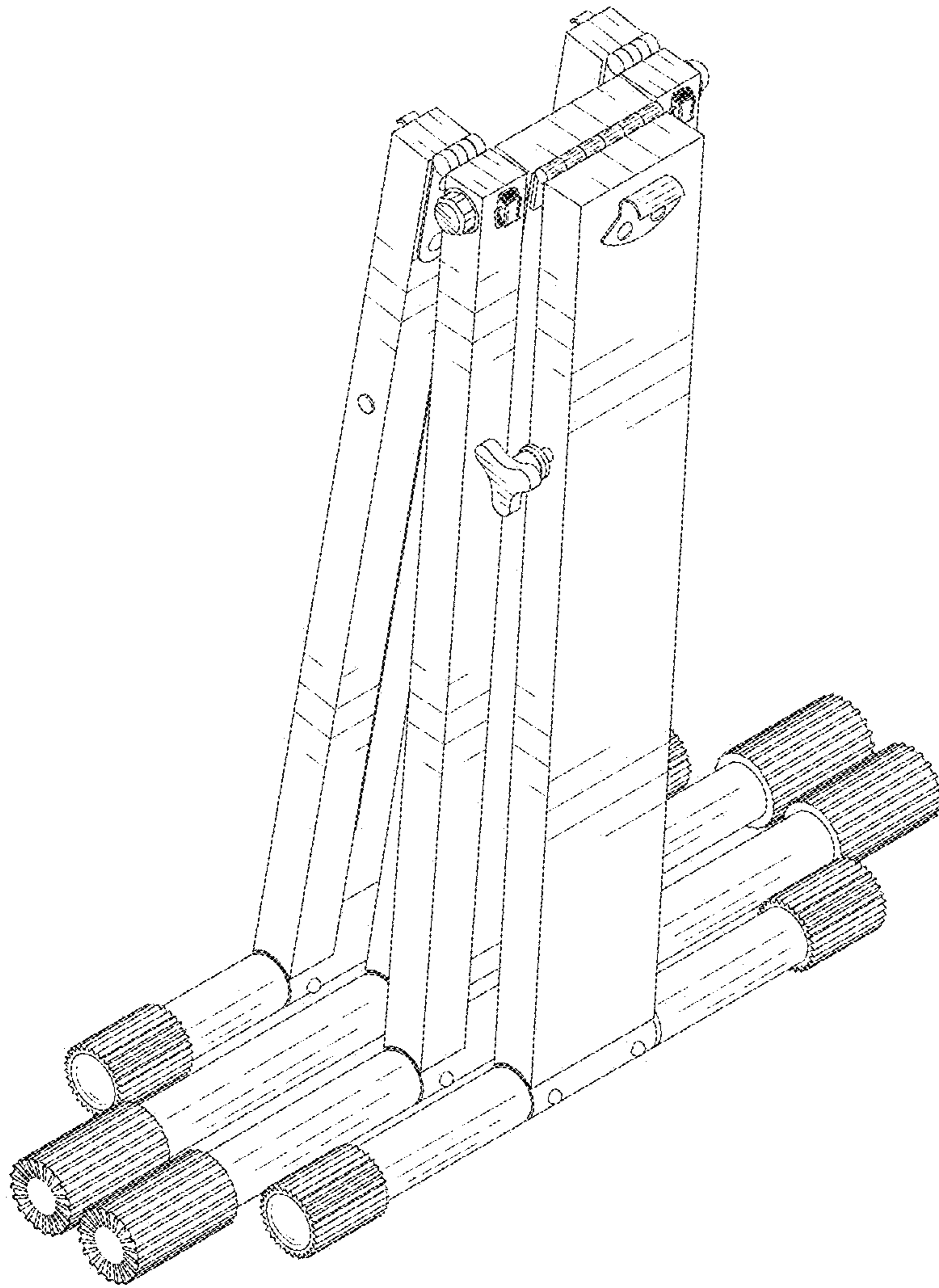


FIG. 2

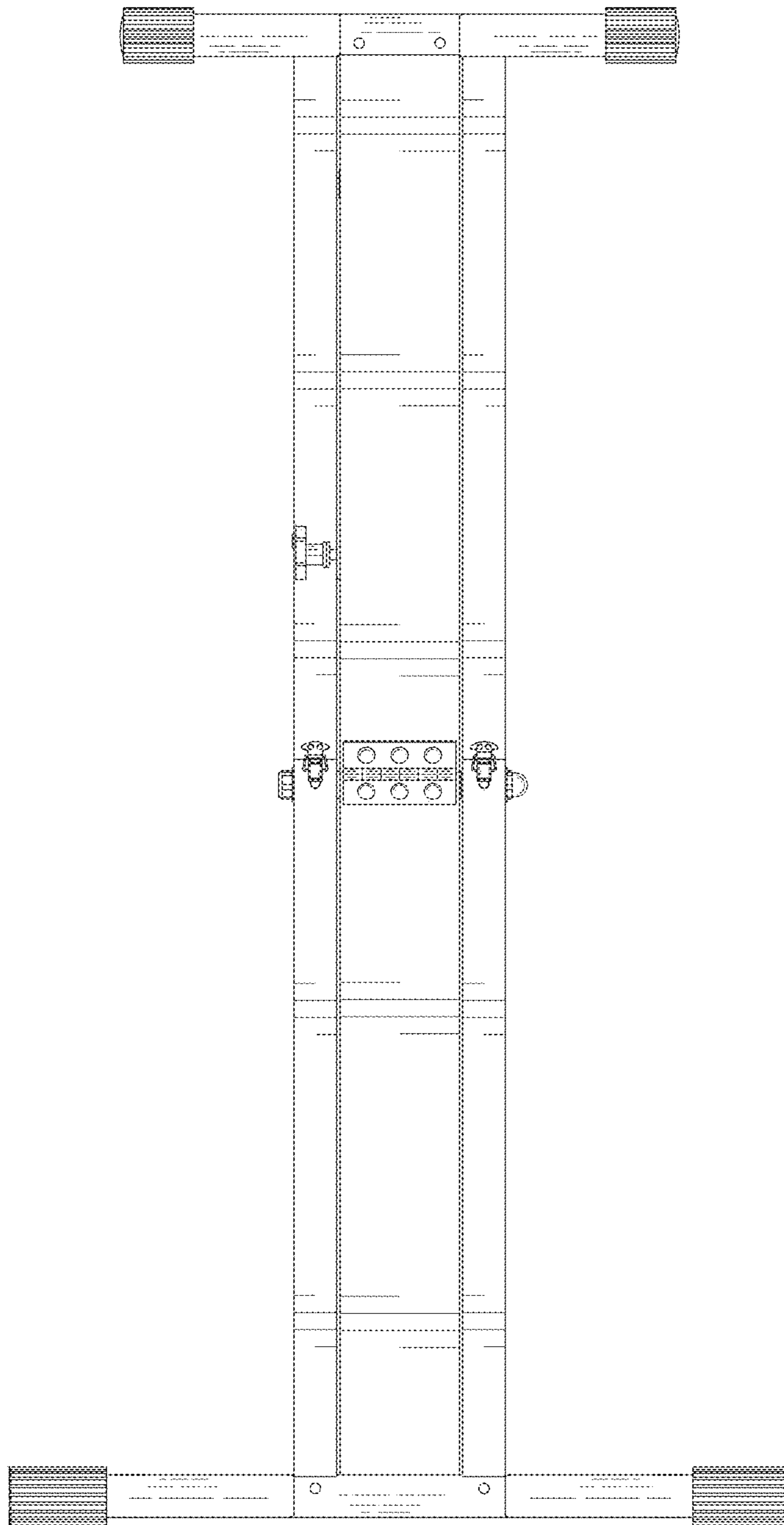


FIG. 3

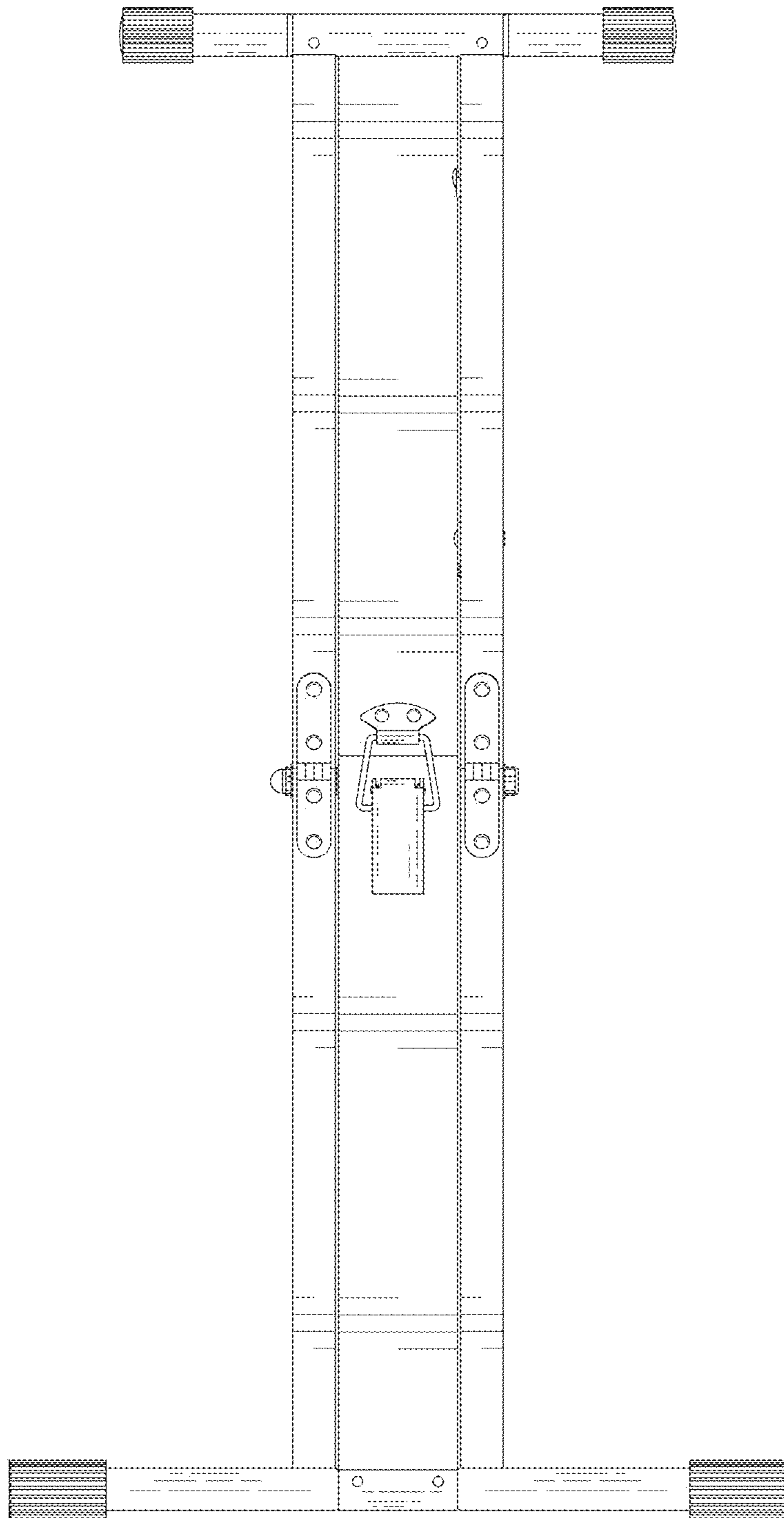


FIG. 4

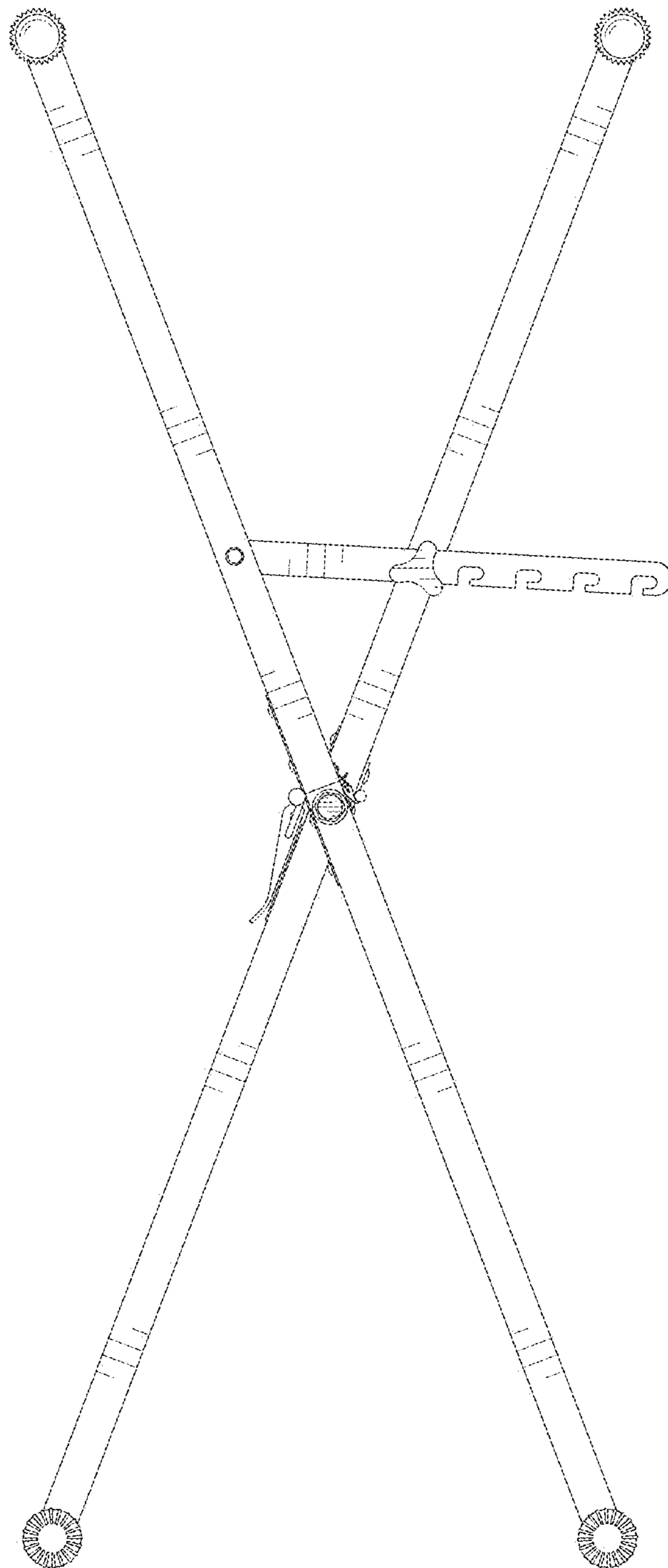


FIG. 5

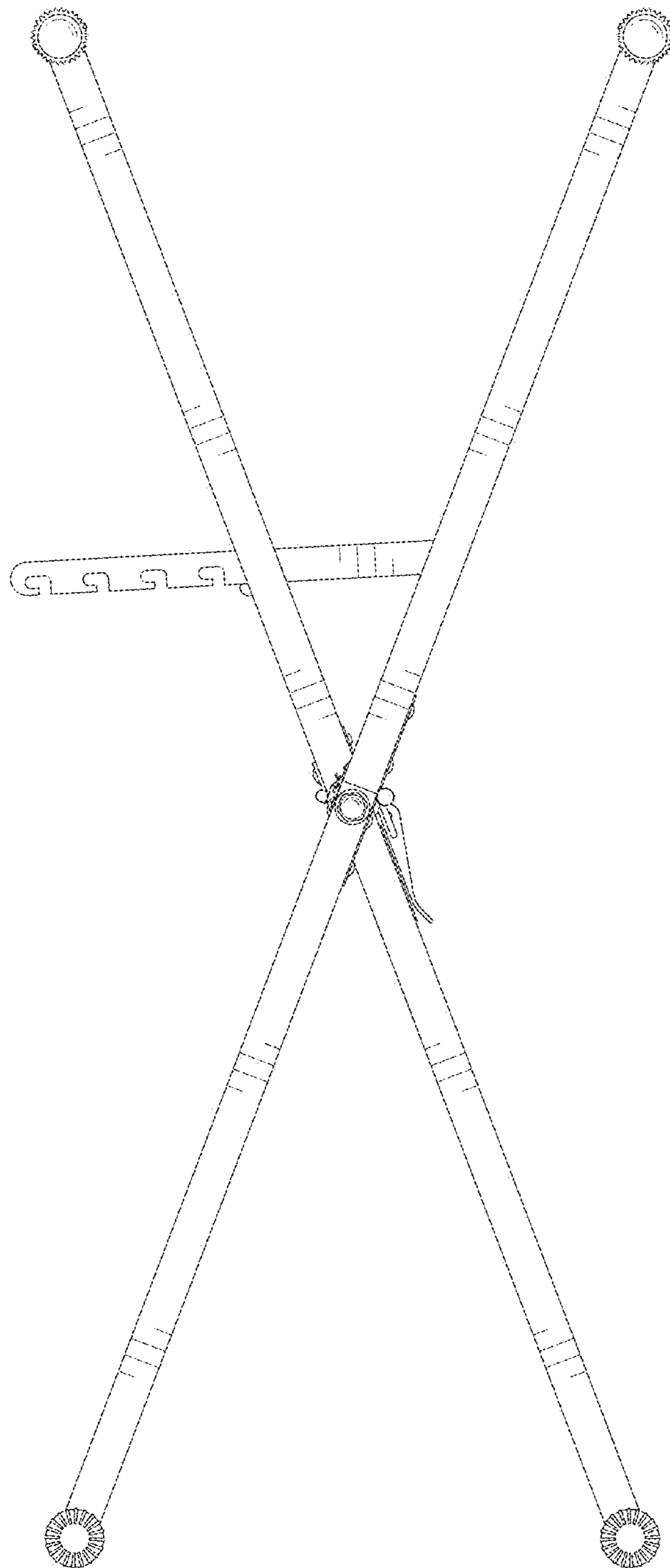


FIG. 6

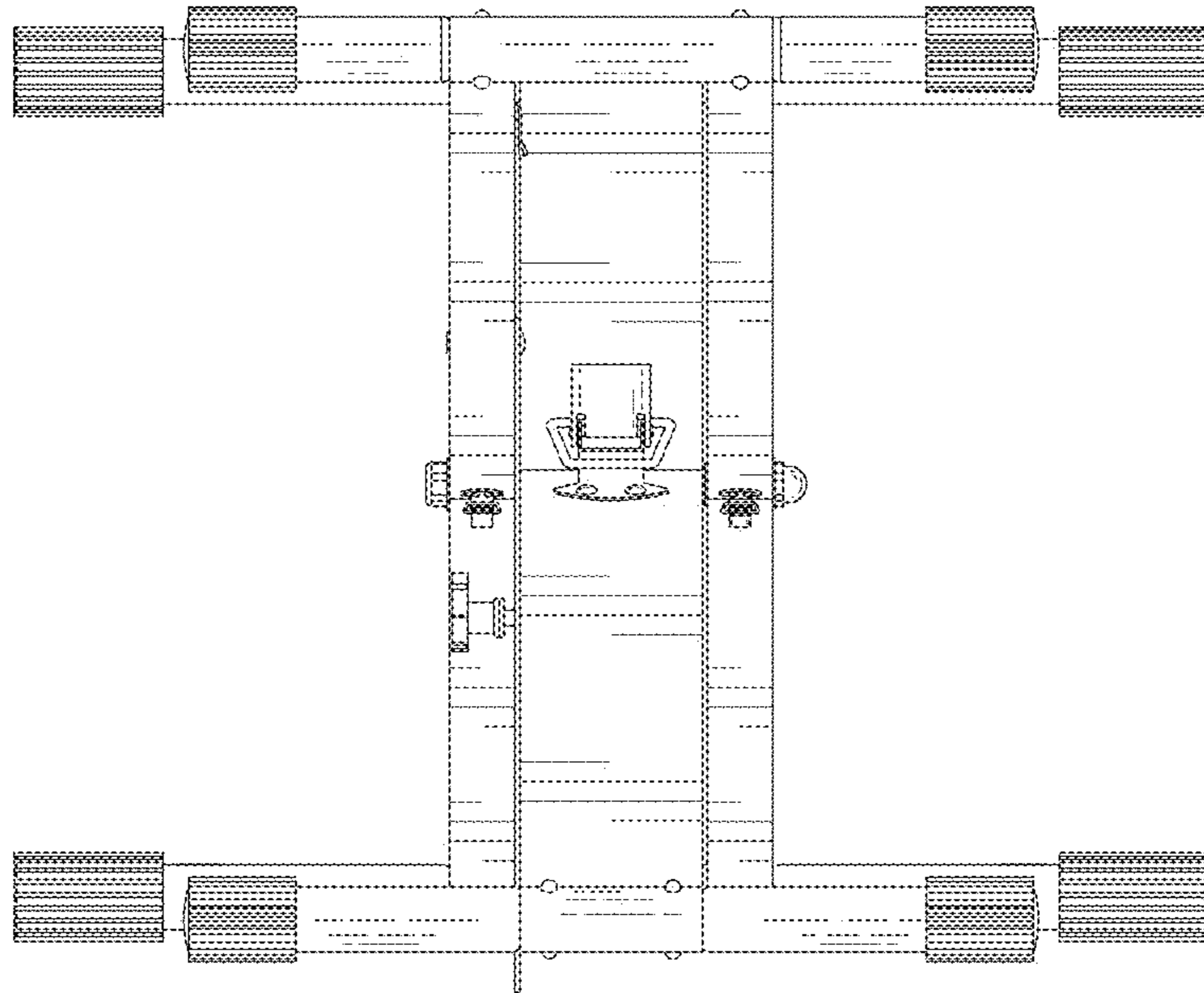


FIG. 7

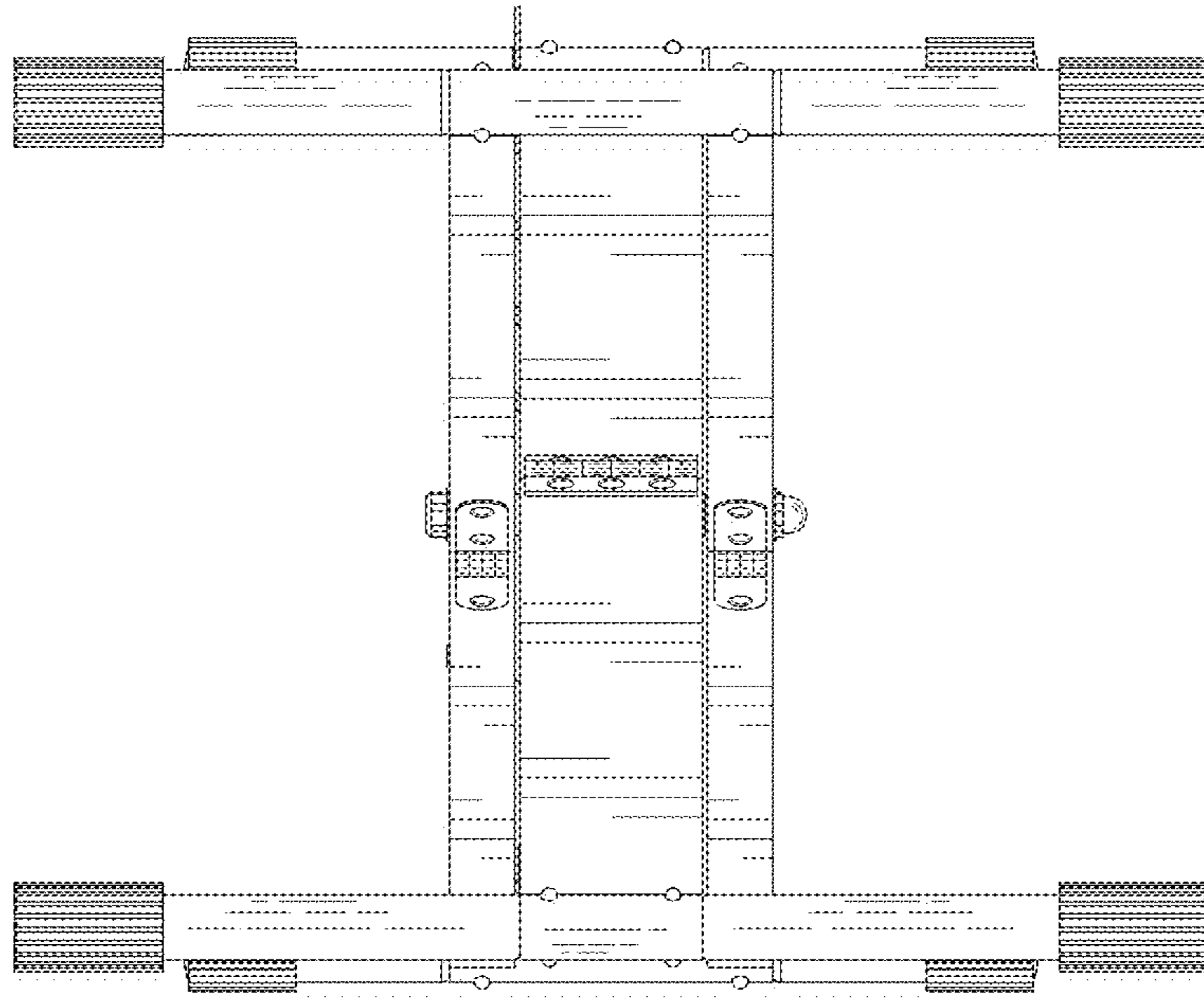


FIG. 8