



US00D985977S

(12) **United States Design Patent** (10) **Patent No.:** **US D985,977 S**  
**Nakamura et al.** (45) **Date of Patent:** **\*\* May 16, 2023**

(54) **VANITY TOPPER**  
(71) Applicant: **Williams-Sonoma, Inc.**, San Francisco, CA (US)  
(72) Inventors: **Evan Nakamura**, Walnut Creek, CA (US); **Kasey Hovencamp**, Mill Valley, CA (US)  
(73) Assignee: **Williams-Sonoma, Inc.**, San Francisco, CA (US)  
(\*\*) Term: **15 Years**

(21) Appl. No.: **29/787,843**  
(22) Filed: **Jun. 9, 2021**  
(51) **LOC (14) Cl.** ..... **06-04**  
(52) **U.S. Cl.**  
USPC ..... **D6/673**; D3/313; D19/78  
(58) **Field of Classification Search**  
USPC ..... D6/300, 301, 309, 310, 513, 568, 657, D6/664.1, 668.2, 673, 675, 683, 683.1, D6/685, 686; D3/304, 310, 313, 319, D3/901, 903; D19/75, 77-80, 92; D28/73, 83  
CPC ..... A47B 67/00; A47B 67/005; A47B 87/008; A47G 1/02; A47G 1/00; B60R 1/12; B60R 2001/1238; B42F 7/10; B42F 7/06; B43M 99/00; B43M 99/001; A47F 3/007; A47F 7/02  
See application file for complete search history.

(56) **References Cited**  
U.S. PATENT DOCUMENTS  
D48,061 S \* 11/1915 Fishback ..... D28/73  
D101,782 S \* 11/1936 Krick ..... D6/664.1  
D132,985 S \* 7/1942 Lyons ..... D6/309  
D194,083 S \* 11/1962 Brach ..... D6/675  
D194,300 S \* 12/1962 Brach ..... D6/673  
D262,679 S \* 1/1982 Lewis, Jr. .... D6/407  
D367,948 S \* 3/1996 Hsu ..... D28/61

D398,078 S \* 9/1998 Hsu ..... D19/75  
6,695,419 B2 \* 2/2004 Searer ..... A47B 88/975  
312/348.3  
D555,938 S \* 11/2007 Brisco ..... D3/313  
(Continued)

**FOREIGN PATENT DOCUMENTS**

CA 100853 \* 6/2003  
GB 6117672 \* 2/2021  
(Continued)

**OTHER PUBLICATIONS**

Costway, "Versatile Makeup Mirror", customer review with photo from Jun. 20, 2020 <https://www.homedepot.com/p/Costway-10-5-in-x-23-5-in-Makeup-Mirror-HW61310/312215303#ratings-and-reviews> (Year: 2020).\*  
(Continued)

*Primary Examiner* — Bao-Yen T Nguyen  
*Assistant Examiner* — Jessica Ruth Grable  
(74) *Attorney, Agent, or Firm* — Cook Alex Ltd.

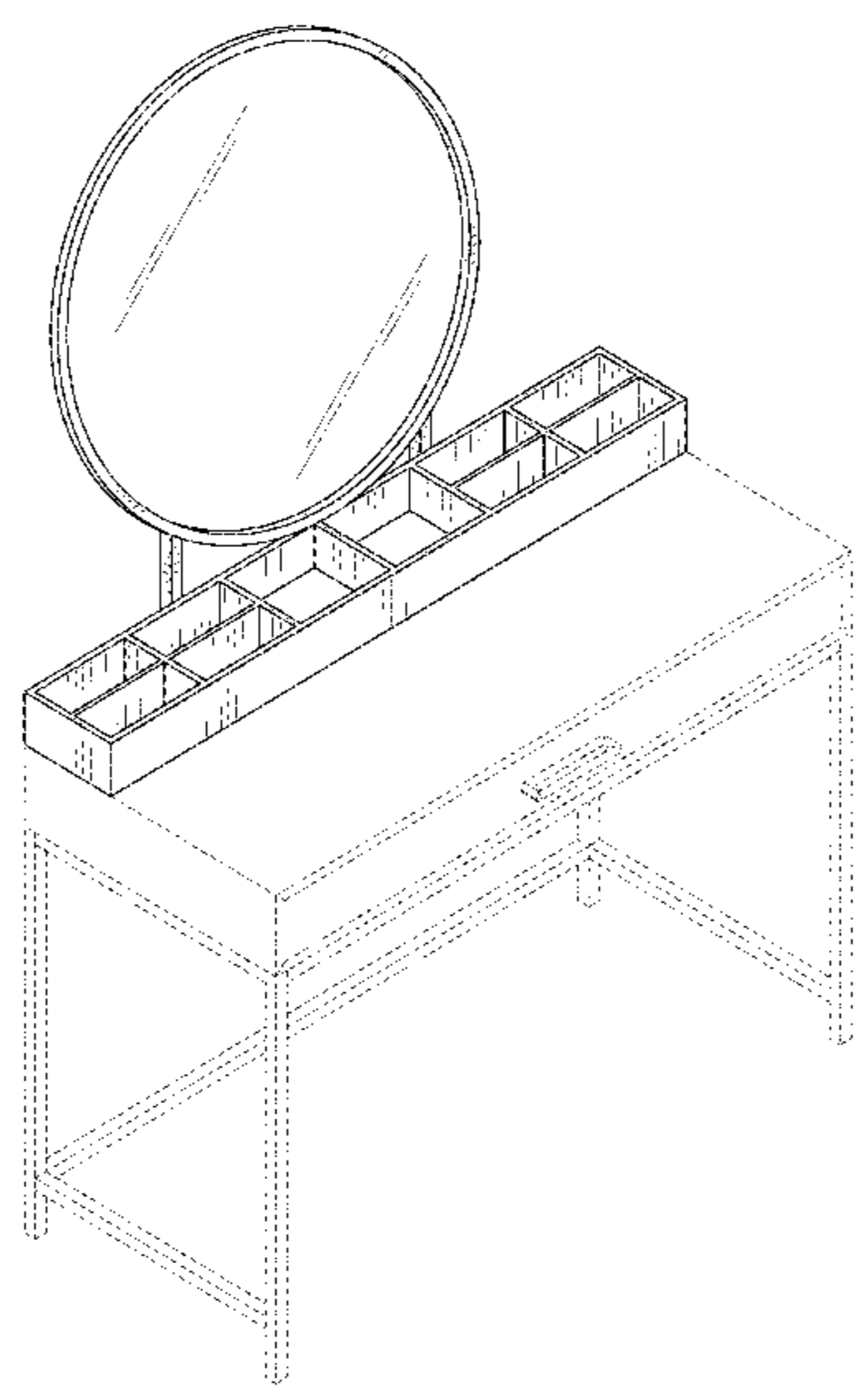
(57) **CLAIM**

The ornamental design for a vanity topper, as shown and described.

**DESCRIPTION**

FIG. 1 is a front perspective view of the vanity topper; FIG. 2 is a front elevational view thereof; FIG. 3 is a rear elevational view thereof; FIG. 4 is a left side elevational view thereof, the opposite side of which is a mirror image; FIG. 5 is a top plan view thereof; FIG. 6 is a bottom plan view thereof; and, FIG. 7 is a rear perspective view thereof. The broken lines outlining a table in FIG. 1 are for environmental purposes only and do not form any part of the claimed design.

**1 Claim, 6 Drawing Sheets**



(56)

References Cited

U.S. PATENT DOCUMENTS

D577,233 S \* 9/2008 Greiner ..... D6/705  
 D595,959 S \* 7/2009 Wade ..... D3/319  
 D604,960 S \* 12/2009 Garbin ..... D6/664.1  
 D780,846 S \* 3/2017 Greenspon ..... D19/77  
 D789,090 S \* 6/2017 Zhou ..... D3/313  
 D804,571 S \* 12/2017 Okene ..... D19/78  
 D824,253 S \* 7/2018 Mayer ..... D9/432  
 D825,658 S \* 8/2018 Okene ..... D19/78  
 D850,108 S \* 6/2019 Hsu ..... D3/313  
 D851,402 S \* 6/2019 Best ..... D3/304  
 D860,649 S \* 9/2019 Li ..... D3/313  
 D868,506 S \* 12/2019 Song ..... D6/664.1  
 D908,436 S \* 1/2021 Lu ..... D7/553.2  
 D914,802 S \* 3/2021 Wheaton ..... D19/78  
 D917,098 S \* 4/2021 Huang ..... D3/901  
 D922,800 S \* 6/2021 Reister ..... D6/662  
 D932,704 S \* 10/2021 Huang ..... D28/83  
 D935,808 S \* 11/2021 Yu ..... D6/664.1  
 D936,395 S \* 11/2021 Yu ..... D6/664.1  
 D937,609 S \* 12/2021 Ramundo ..... D6/664.1  
 D941,920 S \* 1/2022 Zhang ..... D19/78  
 D955,788 S \* 6/2022 Zhu ..... D6/664.1  
 D970,922 S \* 11/2022 Park ..... D6/568

FOREIGN PATENT DOCUMENTS

KR 301005766.0000 \* 5/2019  
 KR 301045977.0000 \* 2/2020

OTHER PUBLICATIONS

Dihao, "Dimmable Tabletop cosmetic mirror", first available Mar. 12, 2021 [https://www.amazon.ca/Makeup-Dimmable-Tabletop-Cosmetic-Control/dp/B08YQX15PF/ref=sr\\_1\\_122?crd=22E7ISWEO8D8S&keywords=vanity+topper+with+mirror&qid=1677164044&sprefix=vanity+topper+with+mirror%2Caps%2C83&sr=8-122](https://www.amazon.ca/Makeup-Dimmable-Tabletop-Cosmetic-Control/dp/B08YQX15PF/ref=sr_1_122?crd=22E7ISWEO8D8S&keywords=vanity+topper+with+mirror&qid=1677164044&sprefix=vanity+topper+with+mirror%2Caps%2C83&sr=8-122) (Year: 2021).\*

Fancii, "Lighted Large Vanity Makeup Mirror" first available Jun. 2, 2017 [https://www.amazon.ca/Fancii-Lighted-Vanity-Makeup-Magnifying/dp/B072FCRGMV/ref=sr\\_1\\_17?crd=68N0PXLPPJC1&keywords=makeup+organizer+with+mirror&qid=1677164435&sprefix=makeup+organizer+with+mirror%2Caps%2C110&sr=8-17](https://www.amazon.ca/Fancii-Lighted-Vanity-Makeup-Magnifying/dp/B072FCRGMV/ref=sr_1_17?crd=68N0PXLPPJC1&keywords=makeup+organizer+with+mirror&qid=1677164435&sprefix=makeup+organizer+with+mirror%2Caps%2C110&sr=8-17) (Year: 2017).\*

\* cited by examiner

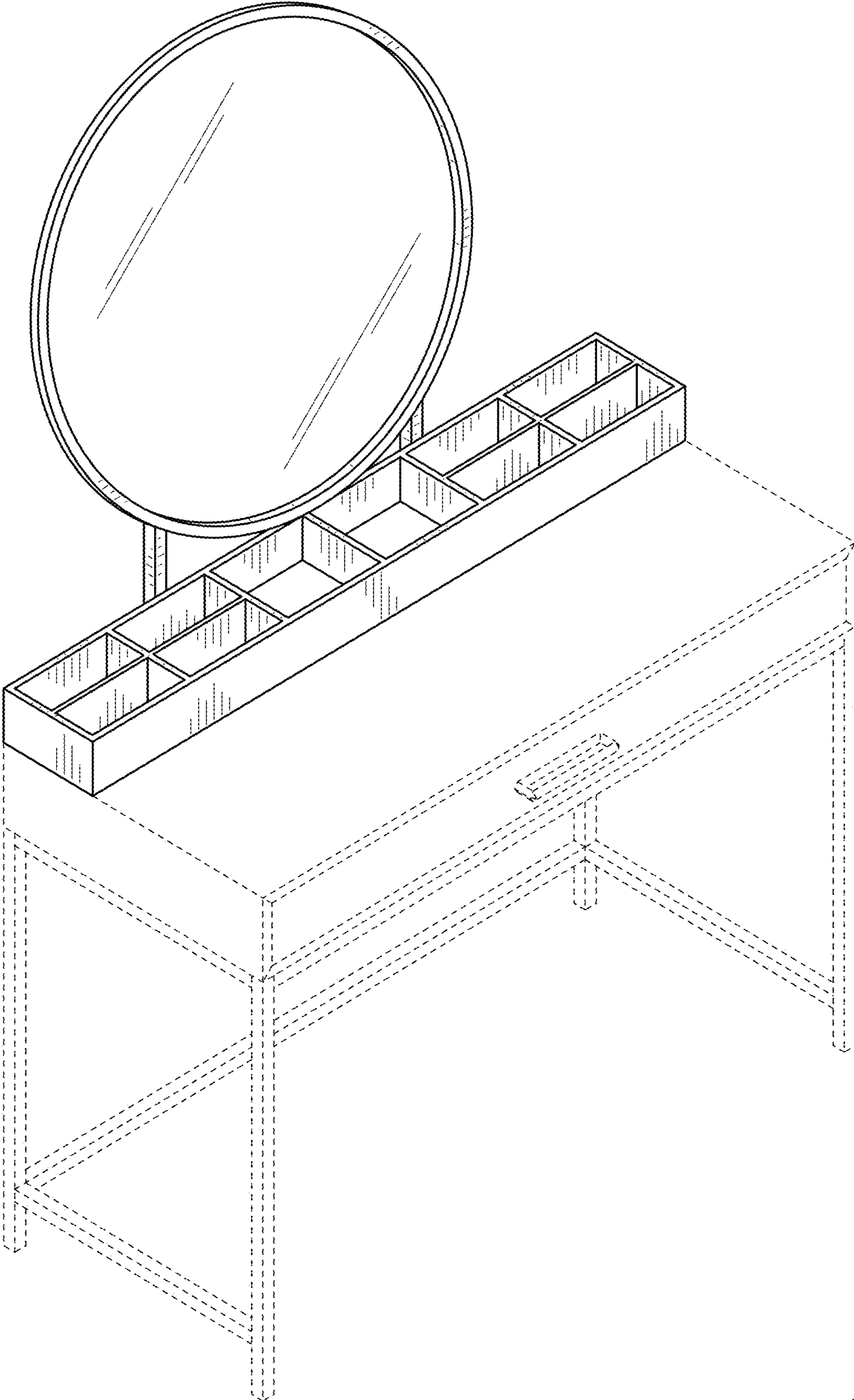


FIG. 1

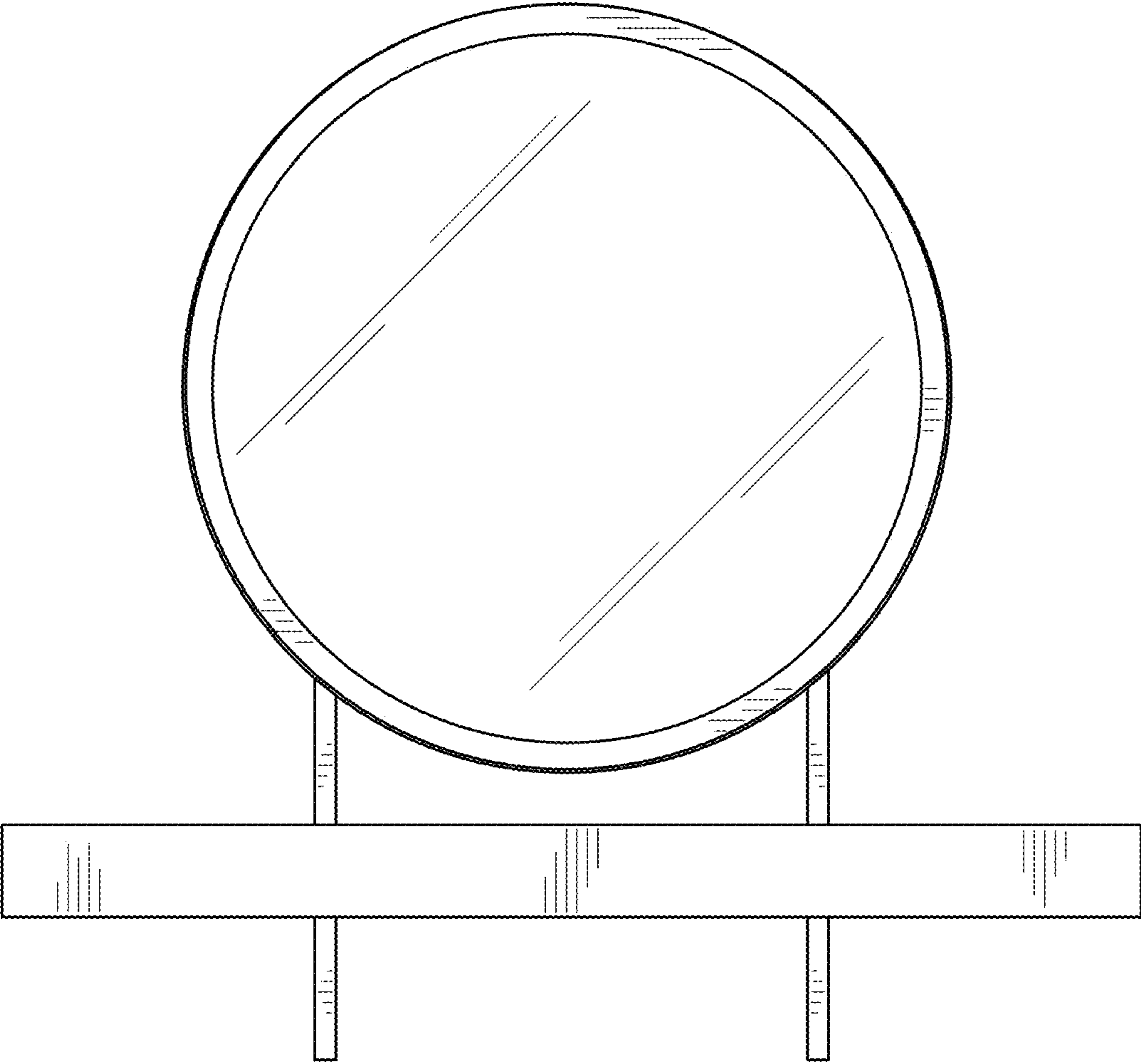


FIG. 2

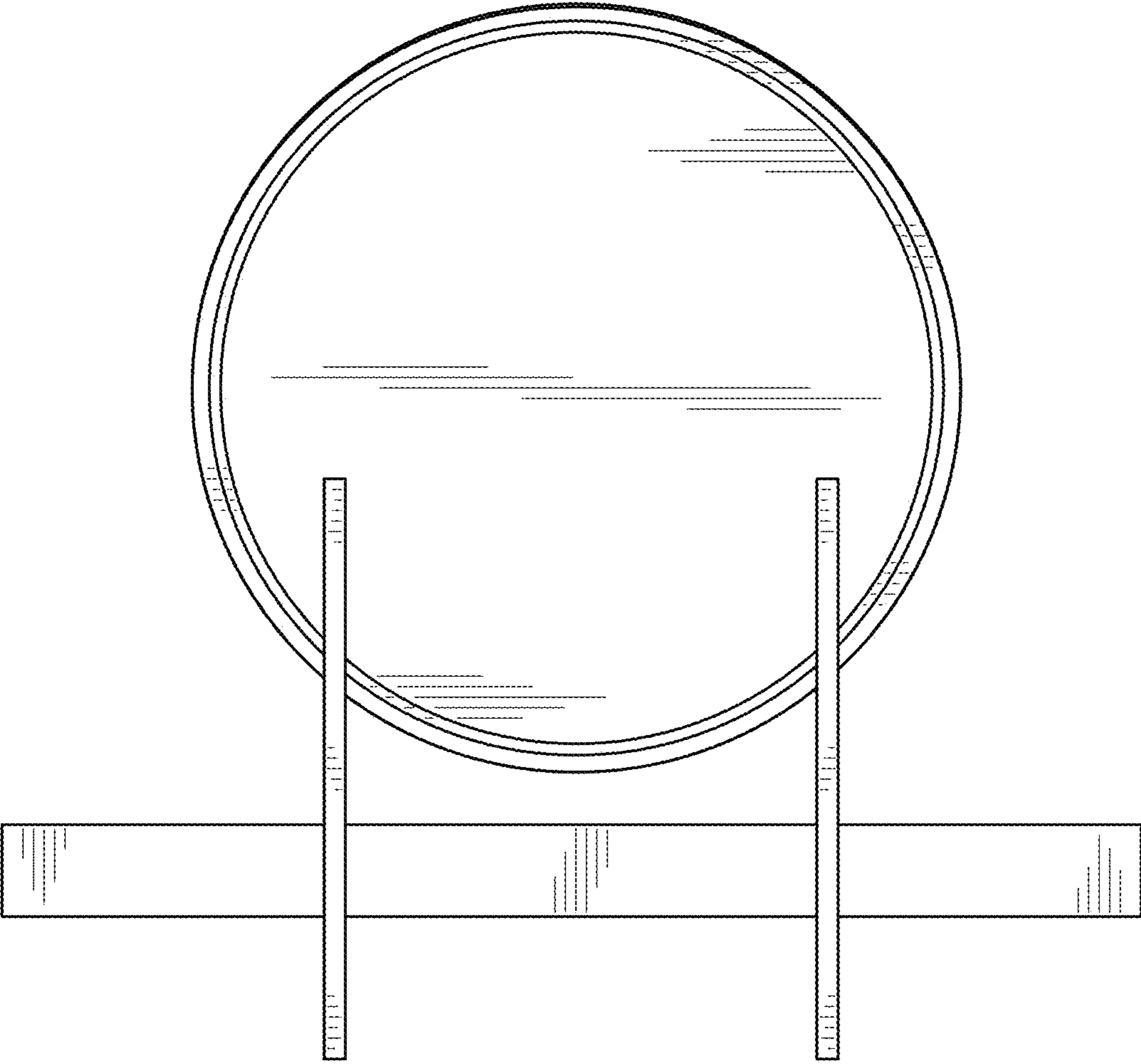


FIG. 3

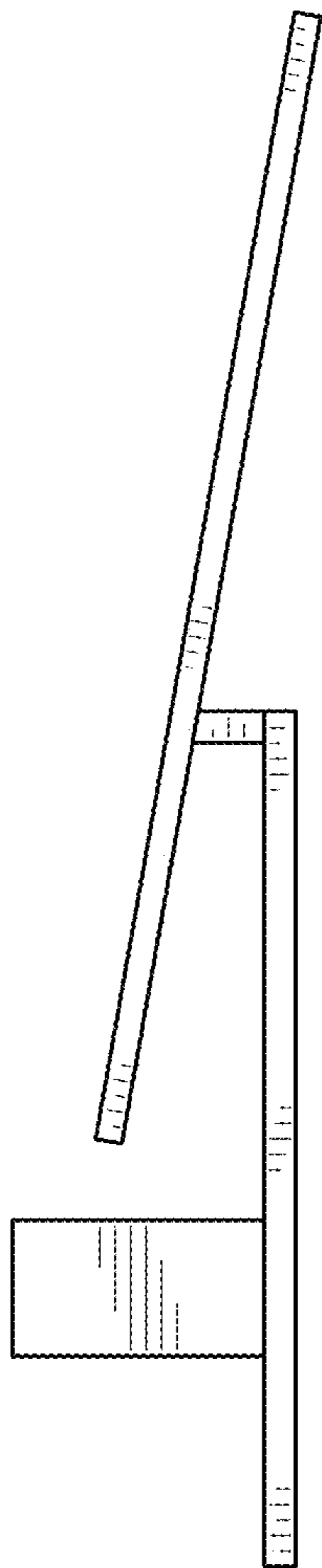


FIG. 4

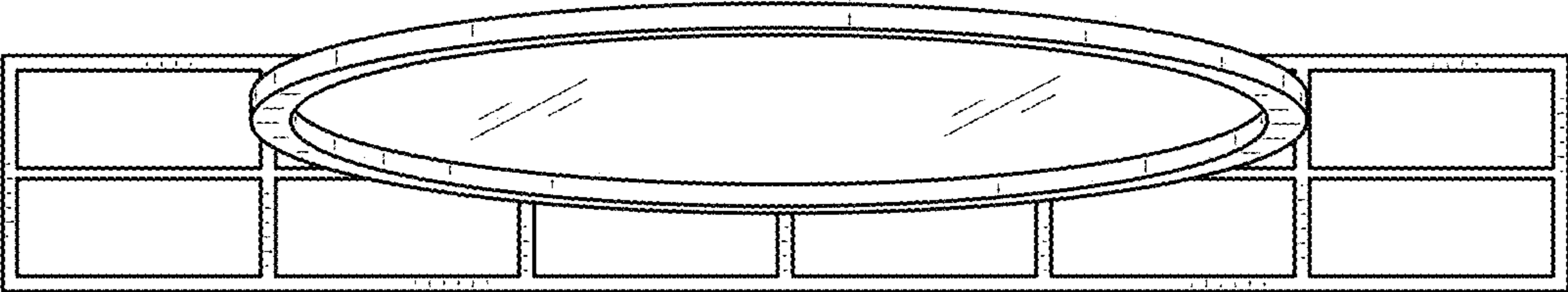


FIG. 5

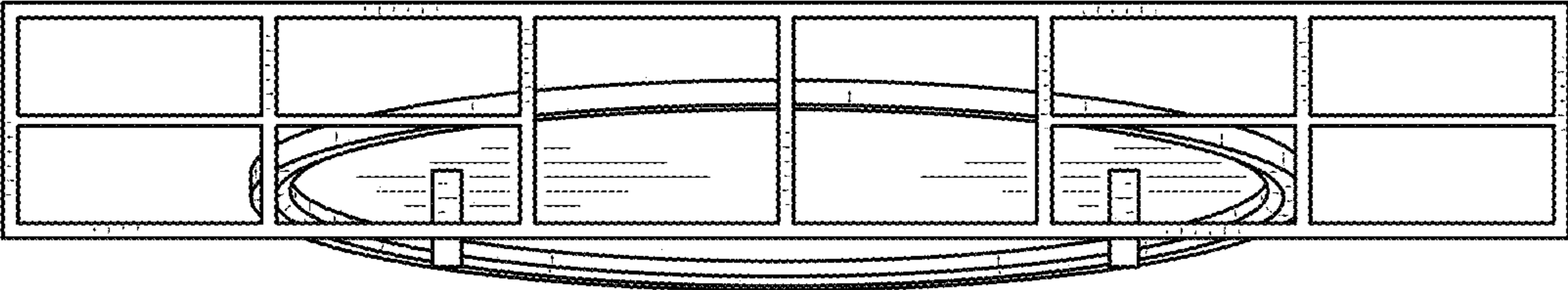


FIG. 6

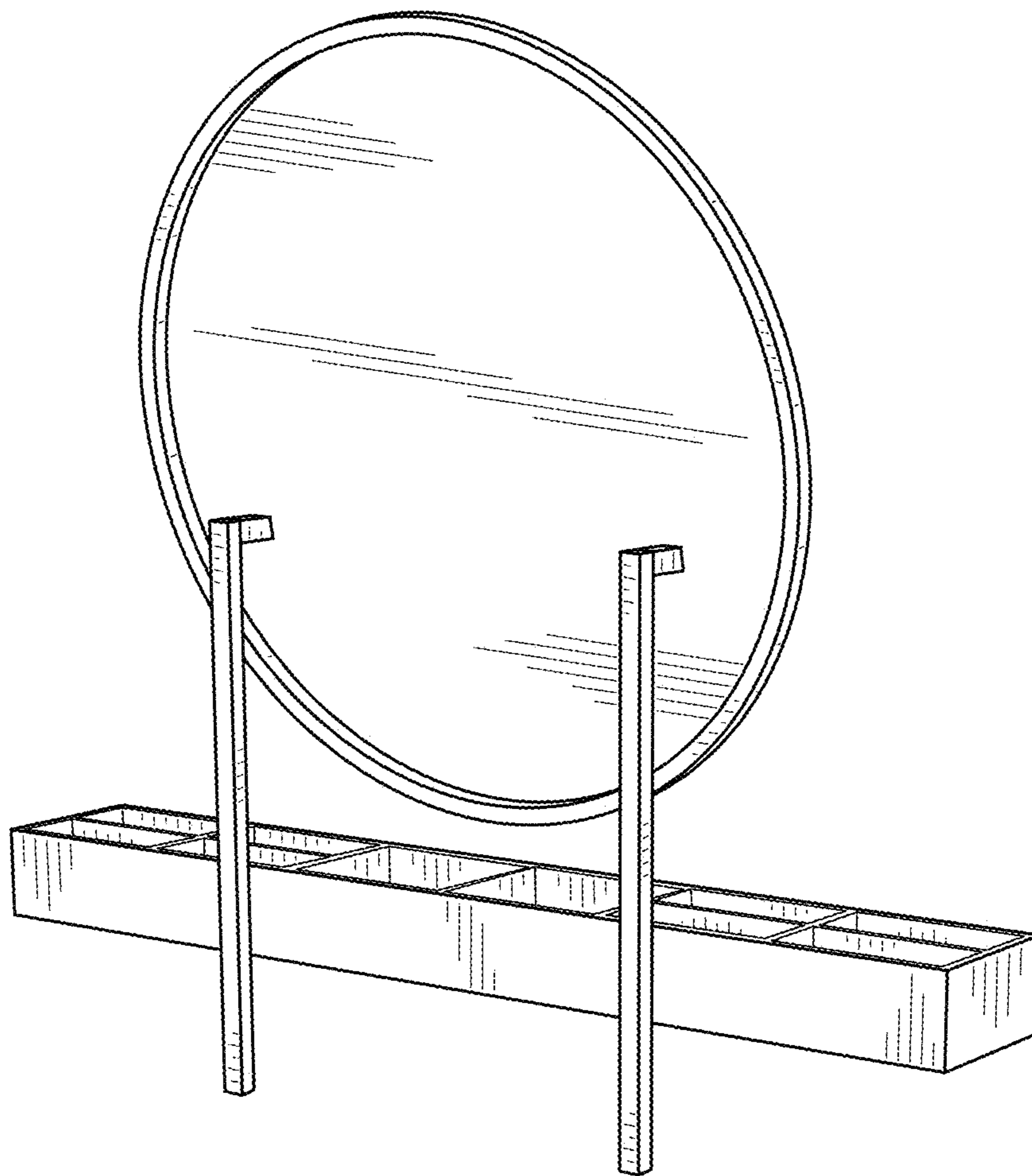


FIG. 7