



US00D985974S

(12) **United States Design Patent** (10) **Patent No.:** **US D985,974 S**  
**Song** (45) **Date of Patent:** **\*\* May 16, 2023**

(54) **JEWELRY CABINET**  
(71) Applicant: **Ziel Home Furnishing Technology Co., Ltd., Zhengzhou (CN)**  
(72) Inventor: **Chuan Song, Zhengzhou (CN)**  
(\*\*) Term: **15 Years**  
(21) Appl. No.: **29/799,122**  
(22) Filed: **Jul. 13, 2021**  
(51) **LOC (14) Cl.** ..... **06-04**  
(52) **U.S. Cl.**  
USPC ..... **D6/664.1**  
(58) **Field of Classification Search**  
USPC ..... D6/321, 659, 663, 664, 664.1, 667, 672, D6/673  
CPC ..... A47B 46/00; A47B 67/005; A47B 67/02; A47F 7/02; A45C 11/16  
See application file for complete search history.

2015/0320209 A1\* 11/2015 Hasselback ..... E05G 1/04 312/227  
2021/0138332 A1\* 5/2021 Dalebout ..... A47G 1/02  
2022/0241665 A1\* 8/2022 Dalebout ..... A47B 67/005

**OTHER PUBLICATIONS**

Lockable Mirror Jewelry Cabinet by Songmics, first available: Oct. 11, 2021. Amazon.com [online], [site visited Dec. 8, 2022], Internet URL: [https://www.amazon.com/dp/B09J4DZQ7B/ref=emc\\_b\\_5\\_t#customerReviews](https://www.amazon.com/dp/B09J4DZQ7B/ref=emc_b_5_t#customerReviews) (Year: 2021).\*

\* cited by examiner

*Primary Examiner* — Mary Ann Calabrese  
*Assistant Examiner* — Hillary Catherine Shepard  
(74) *Attorney, Agent, or Firm* — Rumit Ranjit Kanakia

(57) **CLAIM**

The ornamental design for a jewelry cabinet, as shown and described.

(56) **References Cited**

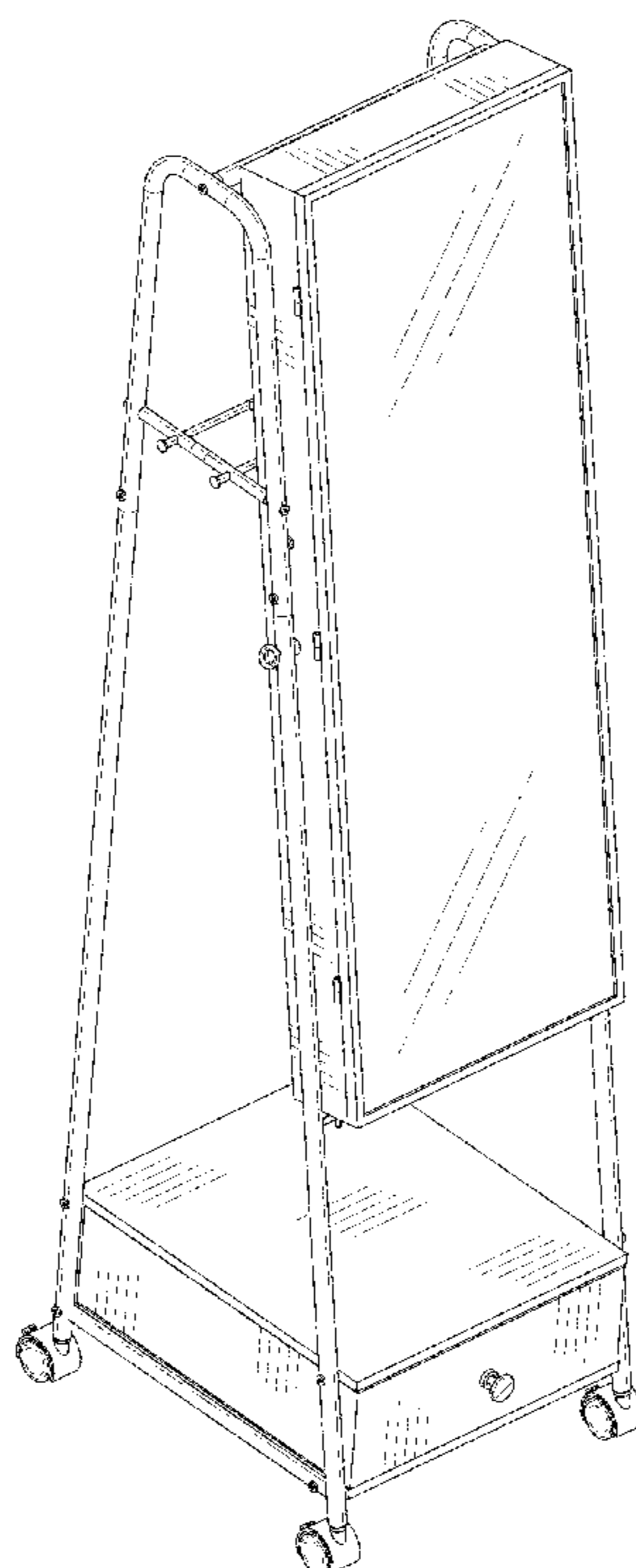
**U.S. PATENT DOCUMENTS**

5,681,100 A \* 10/1997 Powell ..... A47B 67/005 312/226  
D667,237 S \* 9/2012 Greiner ..... D6/668.2  
D679,125 S \* 4/2013 Livernois ..... D6/663  
D712,686 S \* 9/2014 Day ..... D6/663  
D863,838 S \* 10/2019 Song ..... D6/664.1  
D878,111 S \* 3/2020 Song ..... D6/663  
D882,990 S \* 5/2020 Song ..... D6/664.1  
D963,382 S \* 9/2022 Liang ..... D6/664.1  
D970,231 S \* 11/2022 Guo ..... D6/310  
2005/0093405 A1\* 5/2005 Greiner ..... A47B 67/02 312/321.5

**DESCRIPTION**

FIG. 1 is a perspective view of a jewelry cabinet showing my new design;  
FIG. 2 is a front view thereof;  
FIG. 3 is a rear view thereof;  
FIG. 4 is a left side view thereof;  
FIG. 5 is a right side view thereof;  
FIG. 6 is a top view thereof; and,  
FIG. 7 is a bottom view thereof.  
The broken lines depict portions of the jewelry cabinet that form no part of the claimed design.

**1 Claim, 7 Drawing Sheets**



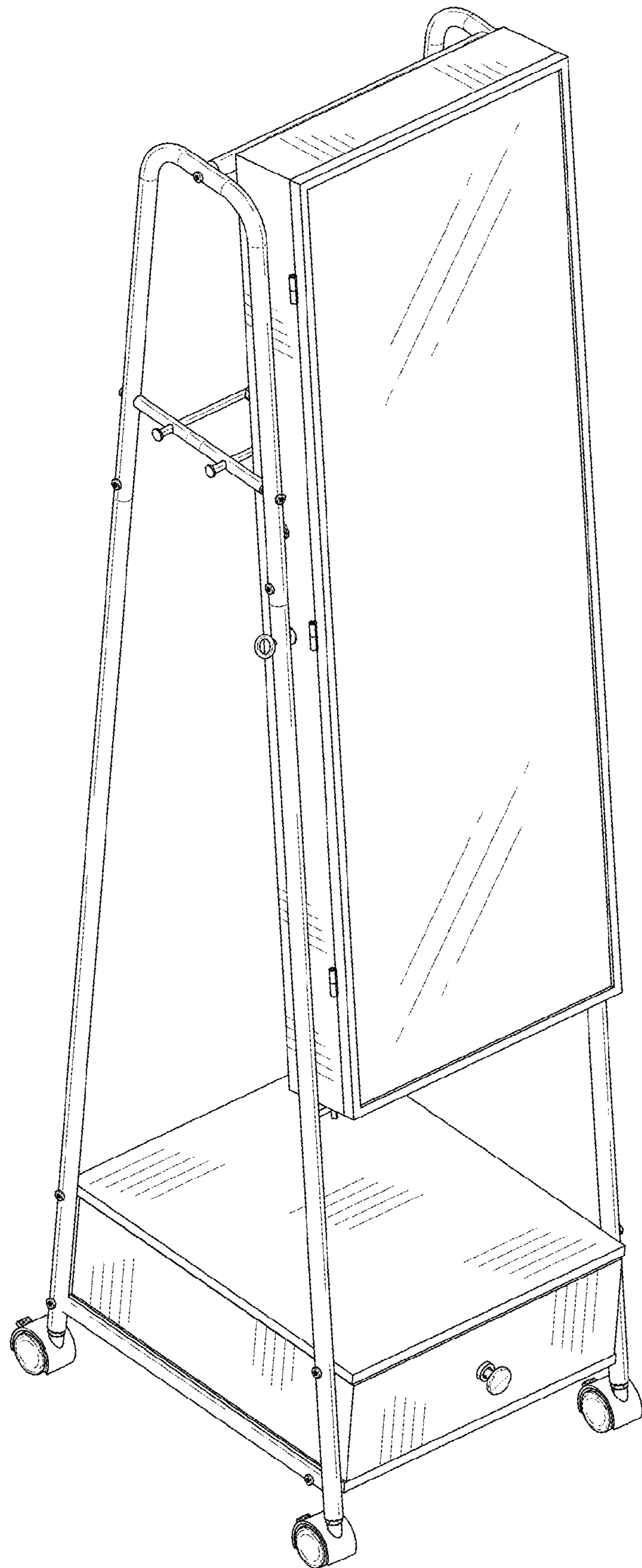


FIG. 1

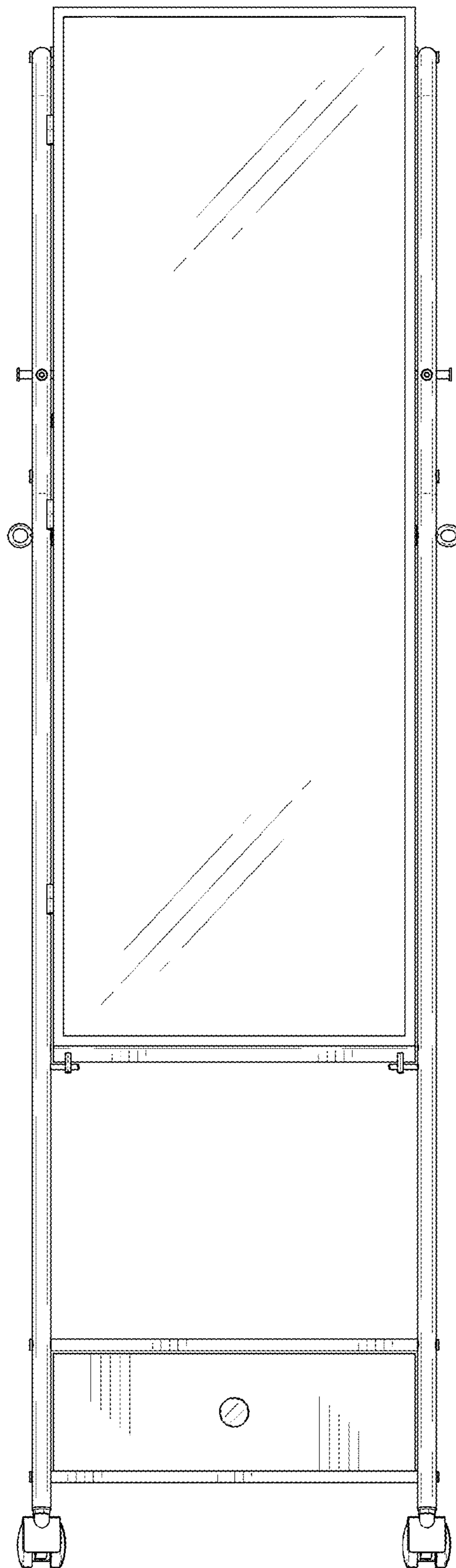


FIG. 2

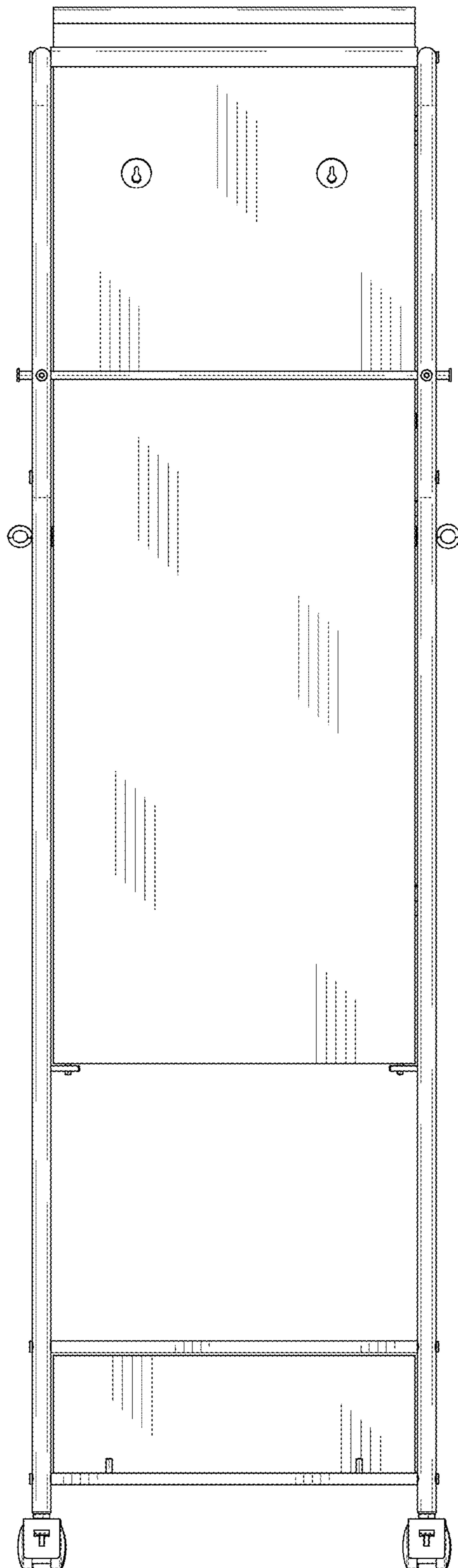


FIG. 3

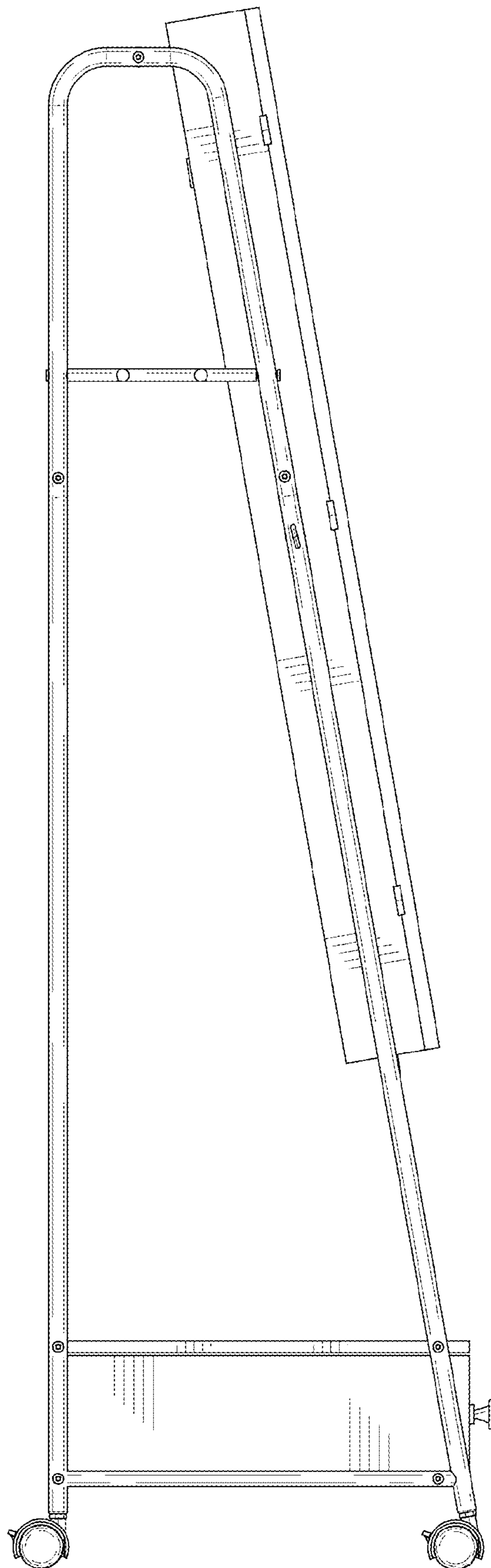


FIG. 4



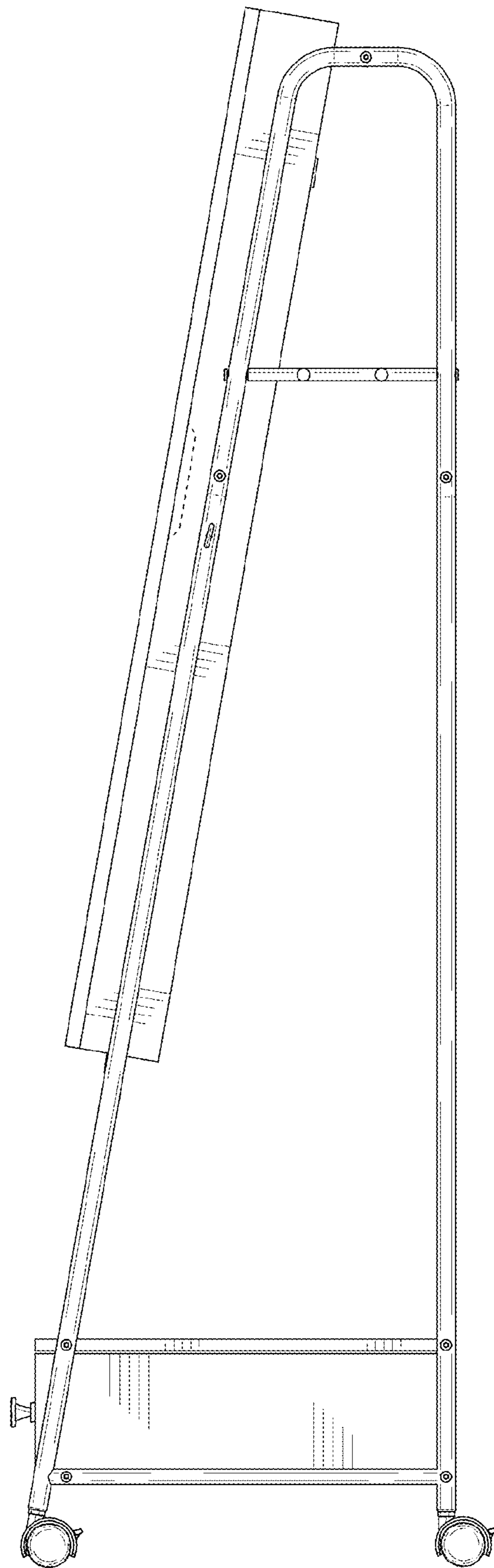


FIG. 5

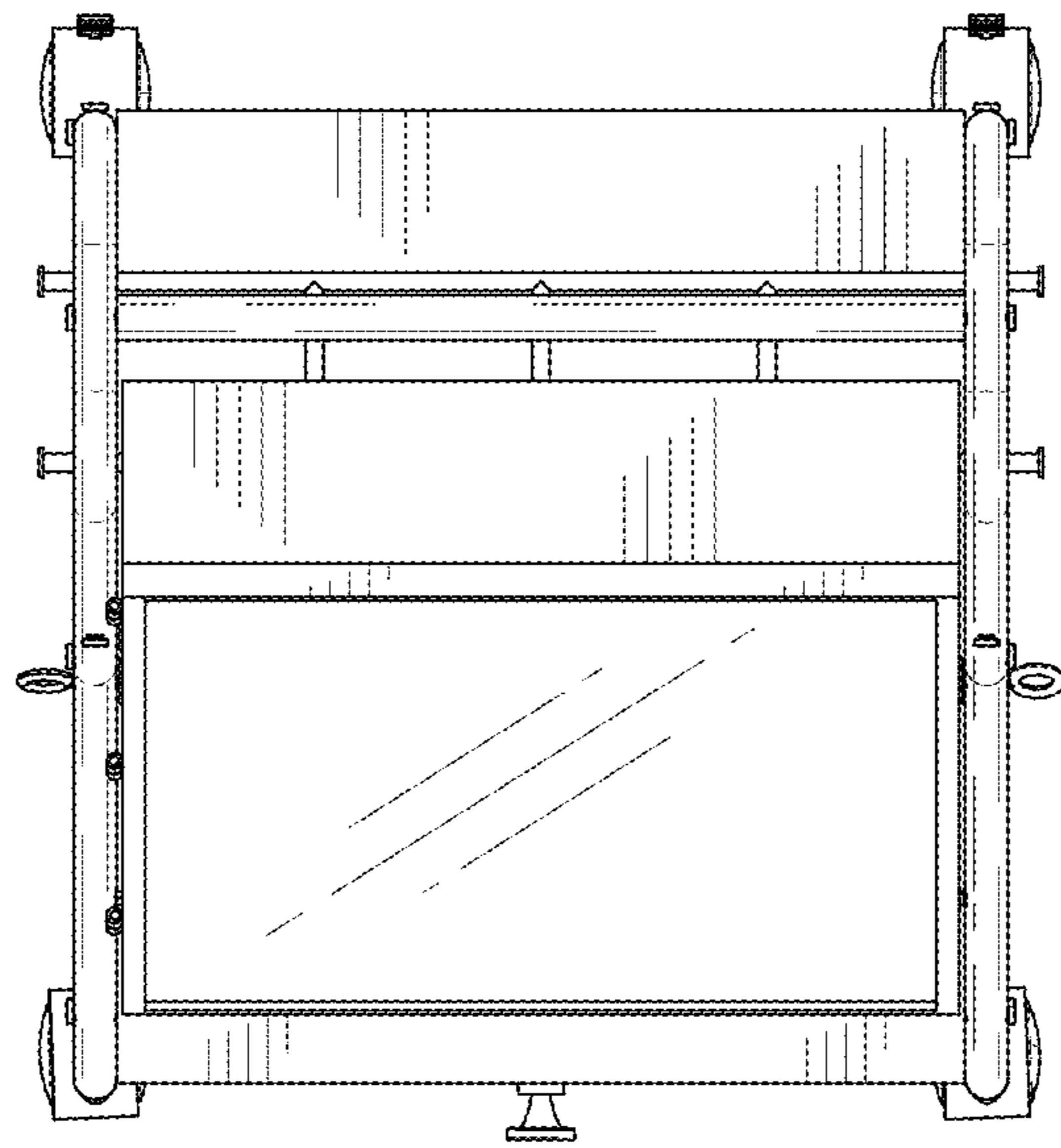


FIG. 6

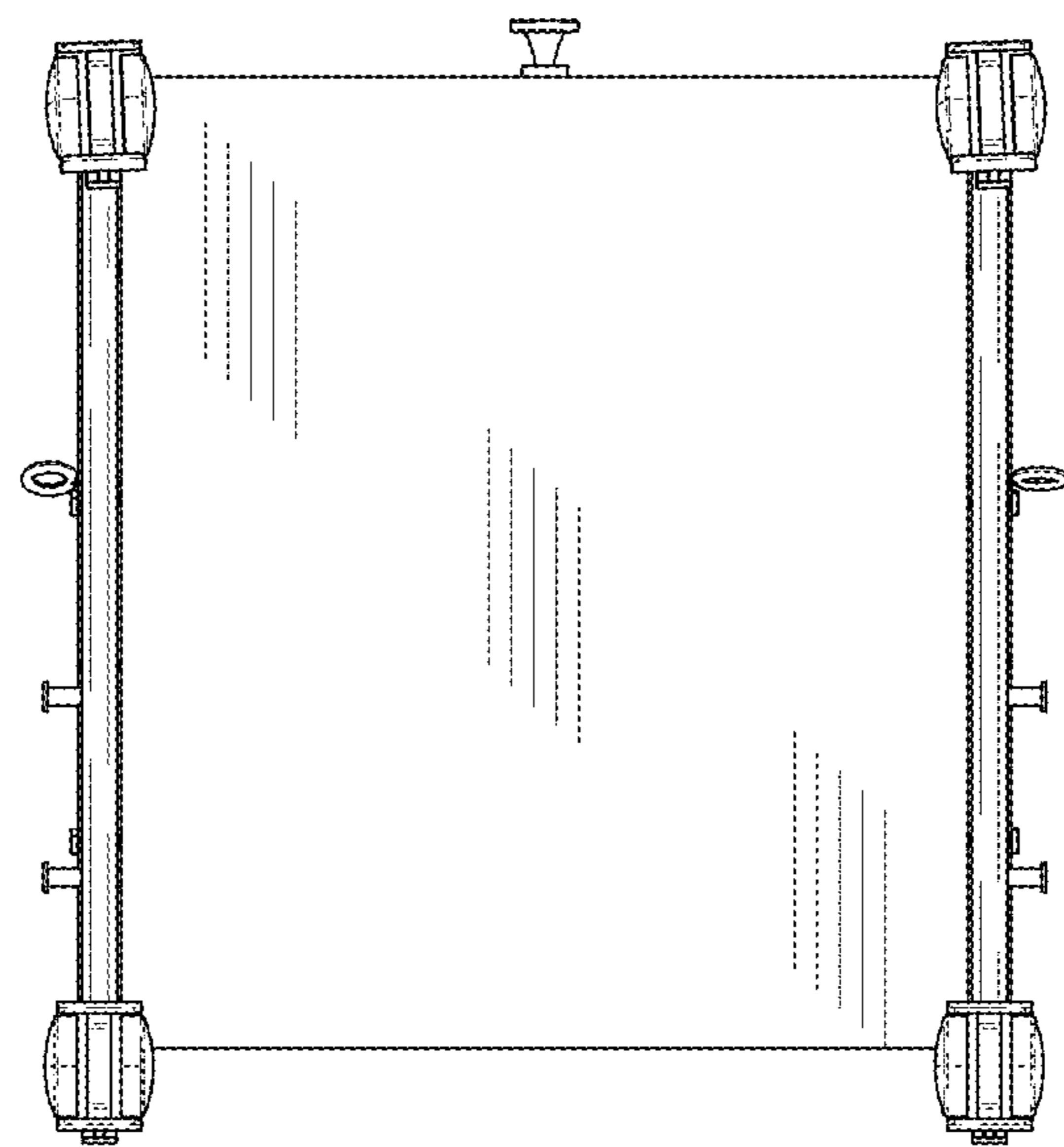


FIG. 7