



US00D985973S

(12) **United States Design Patent** (10) **Patent No.:** **US D985,973 S**
Song (45) **Date of Patent:** **** May 16, 2023**

(54) **JEWELRY CABINET**
(71) Applicant: **Ziel Home Furnishing Technology Co., Ltd., Zhengzhou (CN)**
(72) Inventor: **Chuan Song, Zhengzhou (CN)**
(**) Term: **15 Years**
(21) Appl. No.: **29/799,121**
(22) Filed: **Jul. 13, 2021**
(51) **LOC (14) Cl.** **06-04**
(52) **U.S. Cl.**
USPC **D6/664.1**
(58) **Field of Classification Search**
USPC D6/321, 659, 663, 664, 664.1, 667, 672, D6/673
CPC A47B 46/00; A47B 67/005; A47B 67/02; A47F 7/02; A45C 11/16
See application file for complete search history.

2015/0320209 A1* 11/2015 Hasselback E05G 1/04 312/227
2021/0138332 A1* 5/2021 Dalebout A47G 1/02
2022/0241665 A1* 8/2022 Dalebout A47B 67/005

OTHER PUBLICATIONS

Lockable Mirror Jewelry Cabinet by Songmics, first available: Oct. 11, 2021. Amazon.com [online], [site visited Dec. 8, 2022], Internet URL: https://www.amazon.com/dp/B09J4DZQ7B/ref=emc_b_5_t#customerReviews (Year: 2021).*

* cited by examiner

Primary Examiner — Mary Ann Calabrese
Assistant Examiner — Hillary Catherine Shepard
(74) *Attorney, Agent, or Firm* — Rumit Ranjit Kanakia

(57) **CLAIM**

The ornamental design for a jewelry cabinet, as shown and described.

(56) **References Cited**

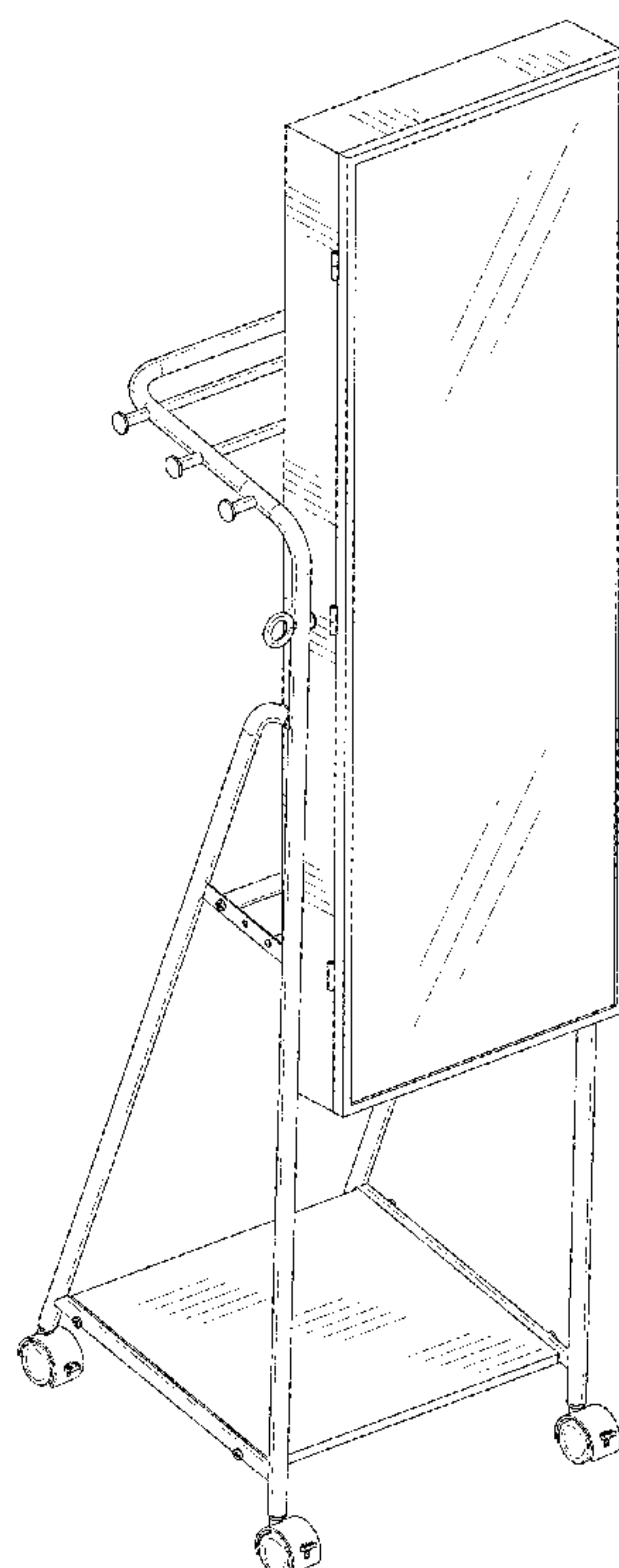
U.S. PATENT DOCUMENTS

5,681,100 A * 10/1997 Powell A47B 67/005 312/226
D667,237 S * 9/2012 Greiner D6/668.2
D679,125 S * 4/2013 Livernois D6/663
D712,686 S * 9/2014 Day D6/663
D863,838 S * 10/2019 Song D6/664.1
D878,111 S * 3/2020 Song D6/663
D882,990 S * 5/2020 Song D6/664.1
D963,382 S * 9/2022 Liang D6/664.1
D970,231 S * 11/2022 Guo D6/310
2005/0093405 A1* 5/2005 Greiner A47B 67/02 312/321.5

DESCRIPTION

FIG. 1 is a perspective view of a jewelry cabinet showing my new design;
FIG. 2 is a front view thereof;
FIG. 3 is a rear view thereof;
FIG. 4 is a left side view thereof;
FIG. 5 is a right side view thereof;
FIG. 6 is a top view thereof; and,
FIG. 7 is a bottom view thereof.
The broken lines depict portions of the jewelry cabinet that form no part of the claimed design.

1 Claim, 7 Drawing Sheets



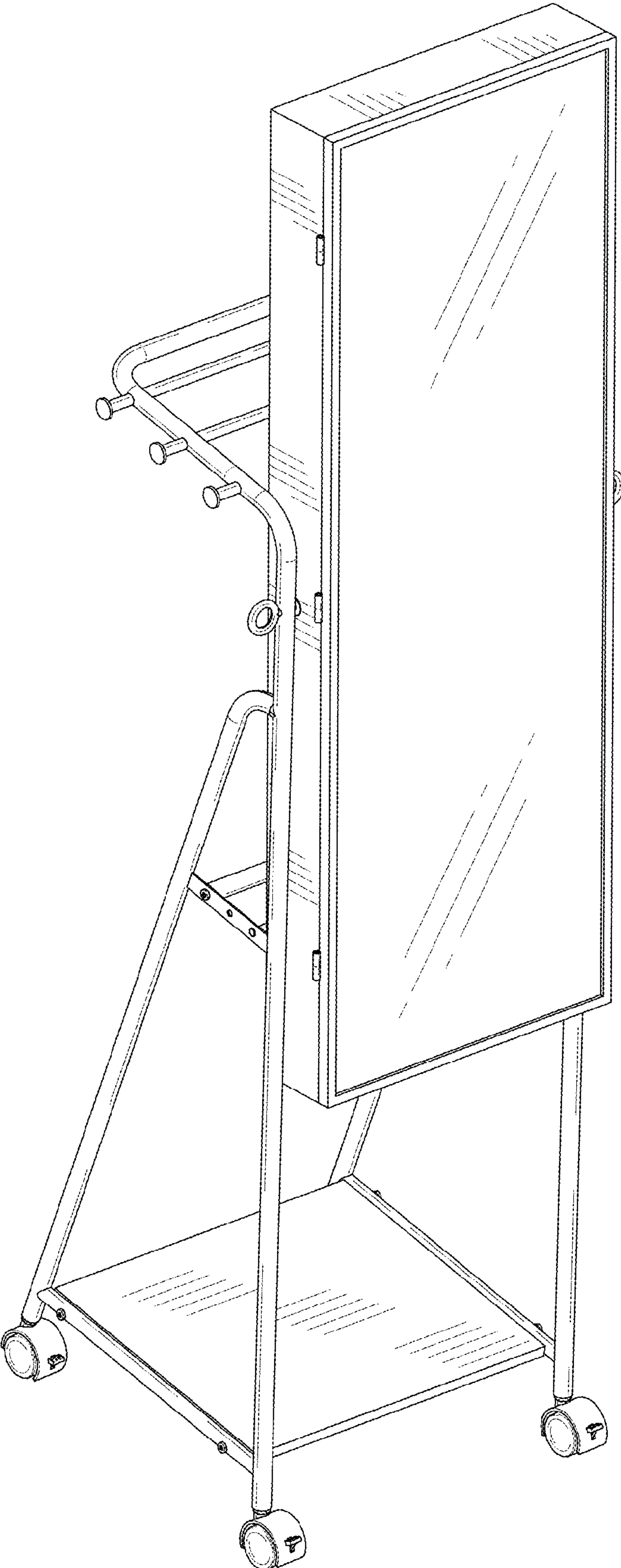


FIG. 1

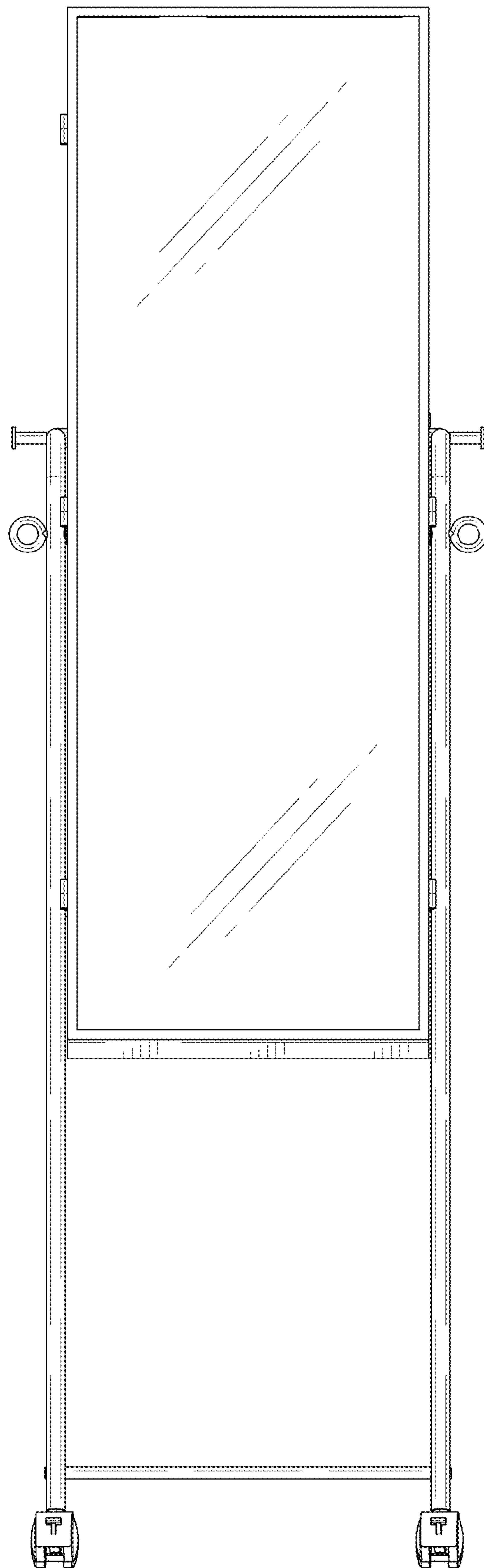


FIG. 2

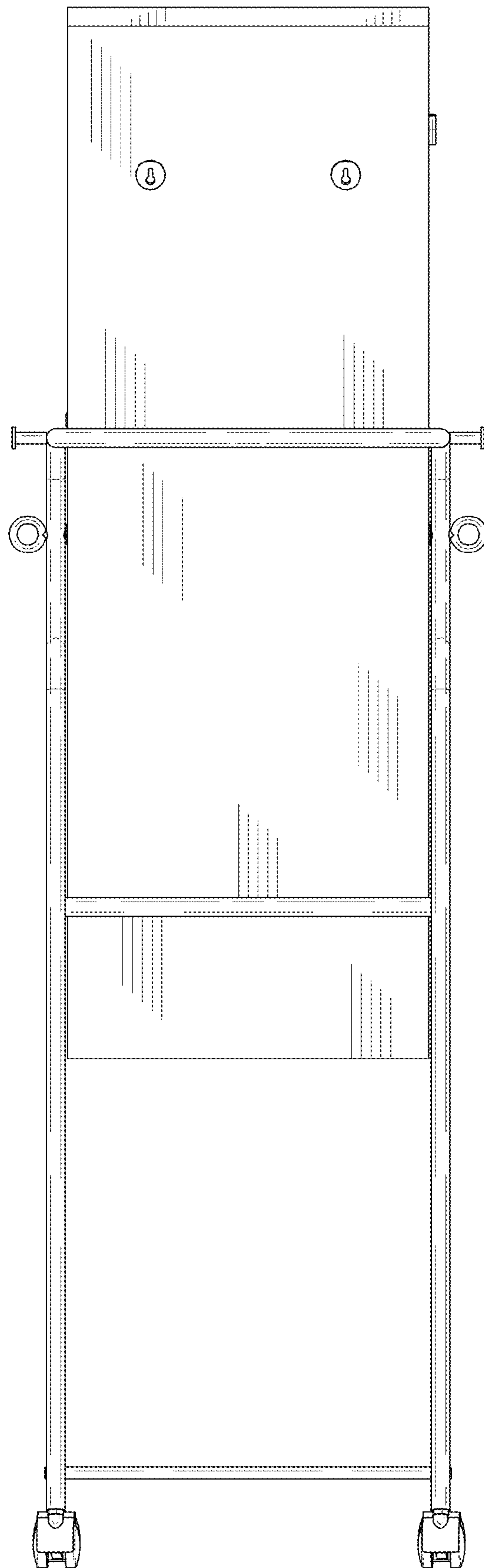


FIG. 3

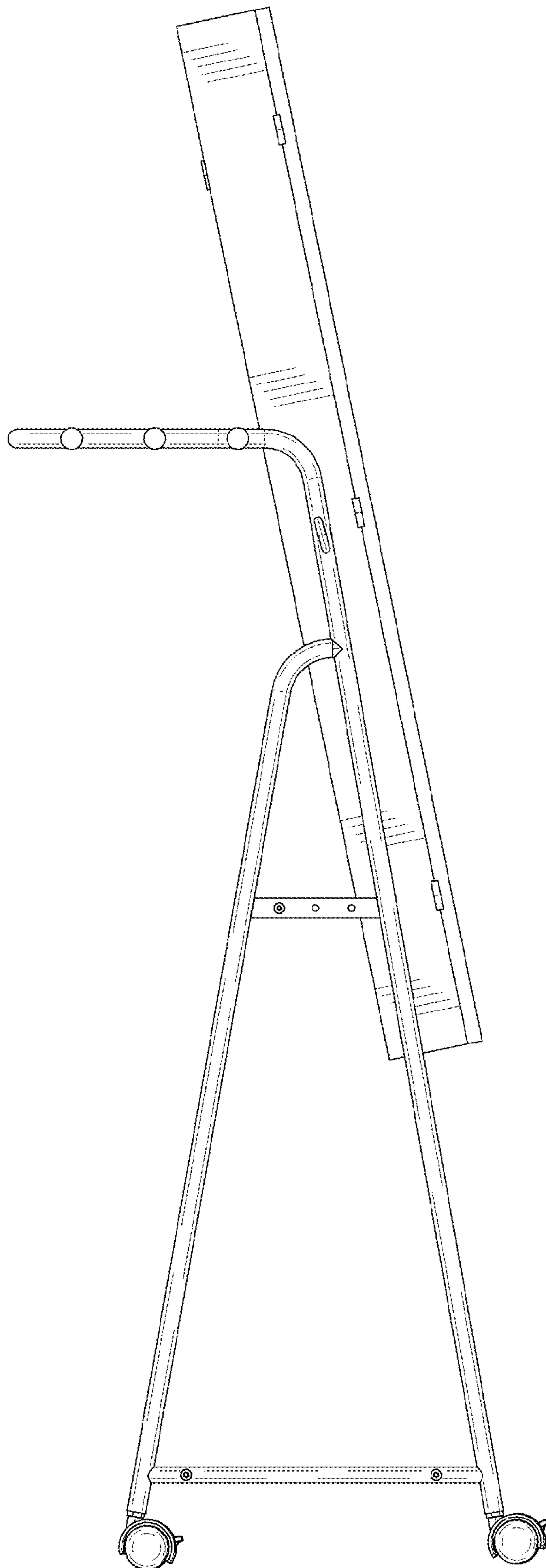


FIG. 4

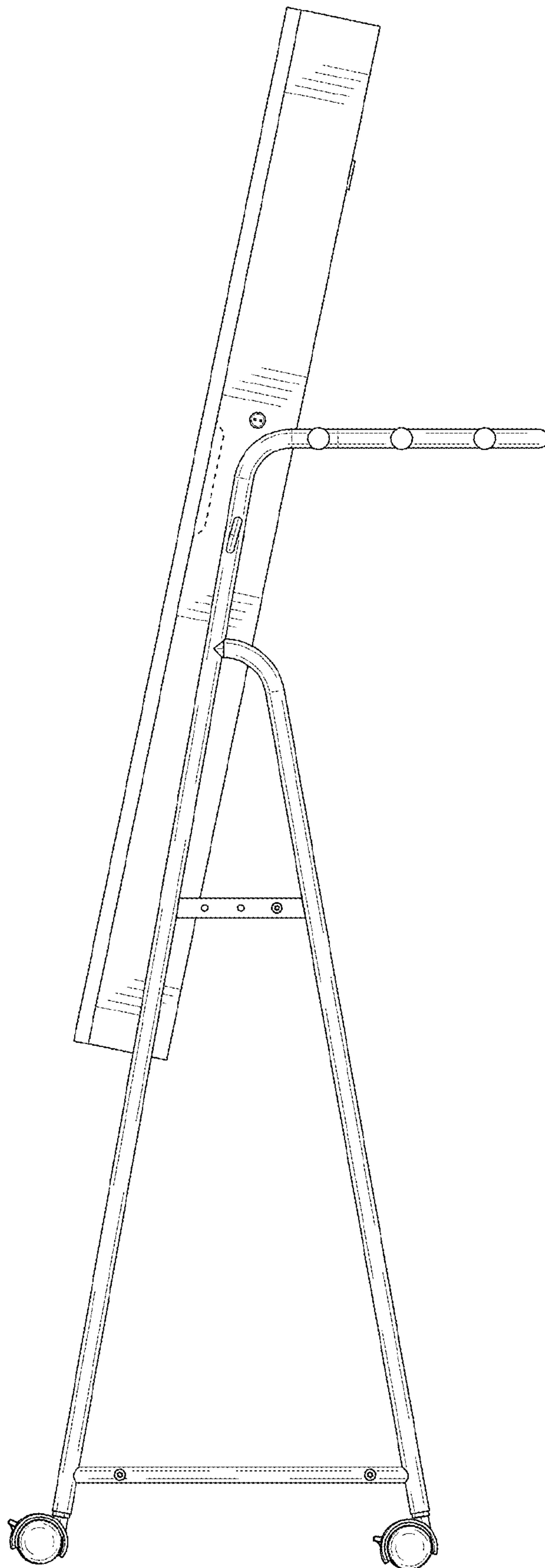


FIG. 5

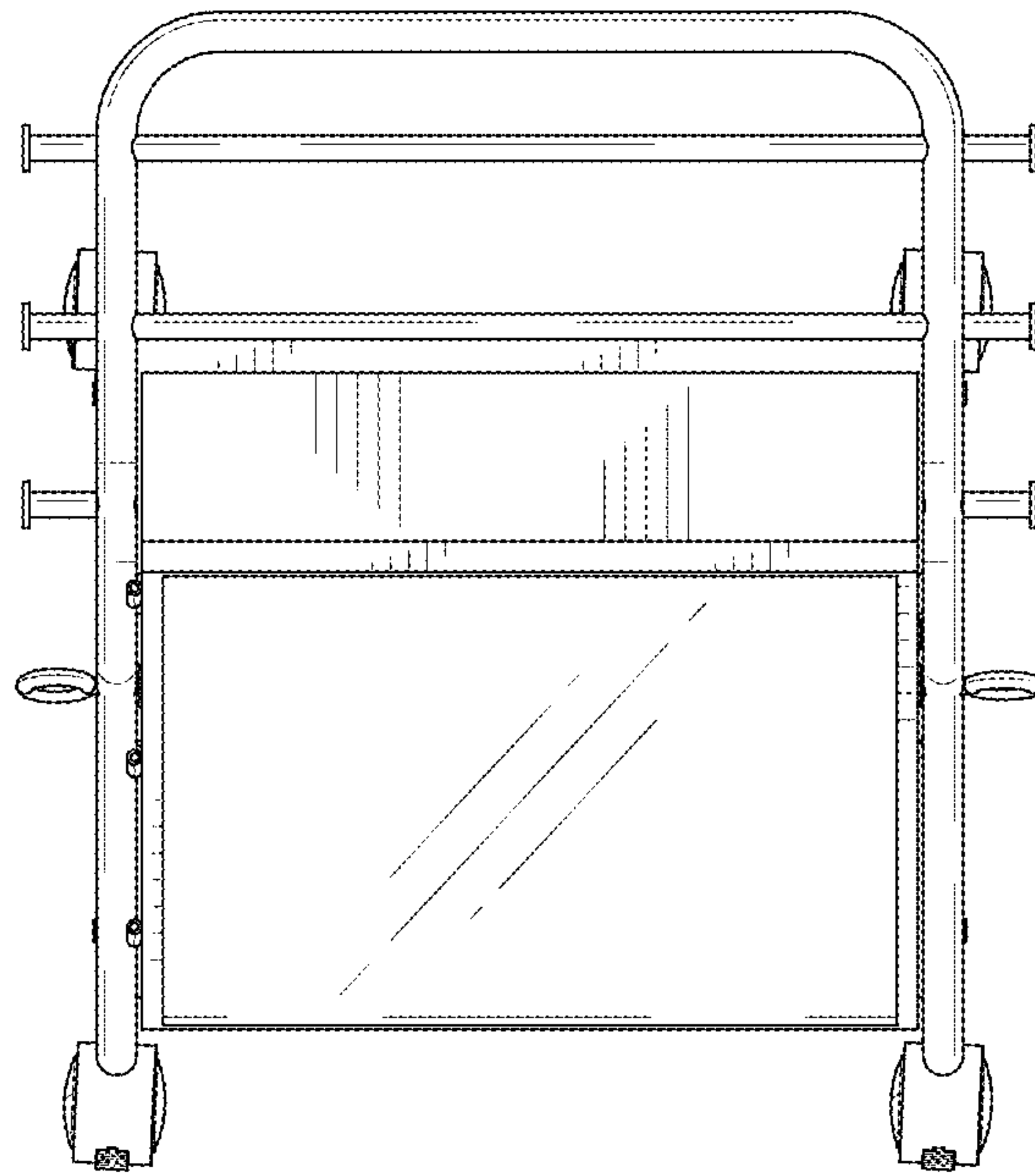


FIG. 6

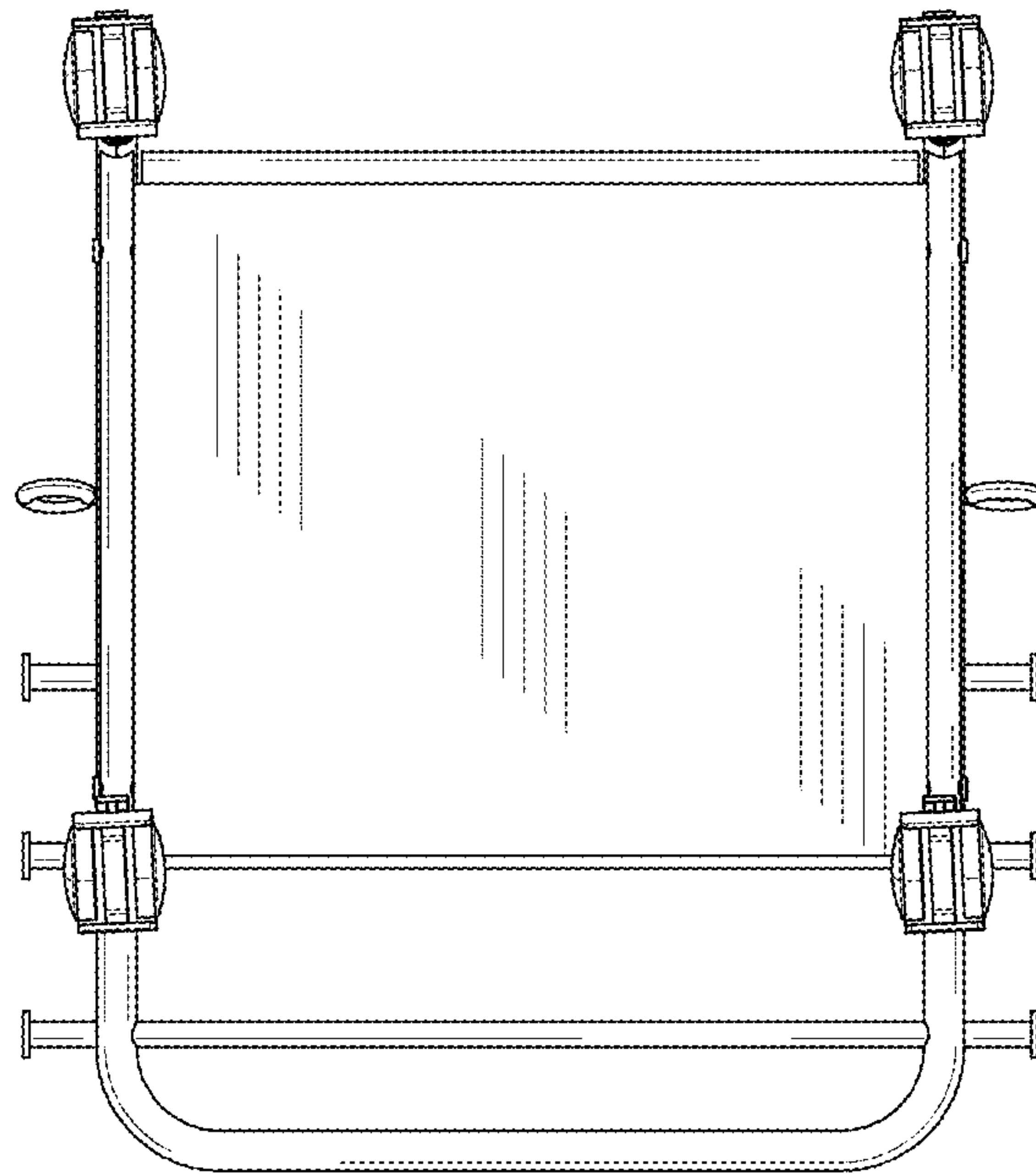


FIG. 7