



US00D985965S

(12) **United States Design Patent** (10) **Patent No.:** **US D985,965 S**
Huang (45) **Date of Patent:** **** May 16, 2023**

- (54) **FLOATING SHELF**
- (71) Applicant: **Dong Huang**, Sichuan (CN)
- (72) Inventor: **Dong Huang**, Sichuan (CN)
- (**) Term: **15 Years**
- (21) Appl. No.: **29/851,766**
- (22) Filed: **Aug. 31, 2022**
- (51) **LOC (14) Cl.** **06-04**
- (52) **U.S. Cl.**
USPC **D6/574**
- (58) **Field of Classification Search**
USPC D6/574, 512, 524, 552, 553, 572, 573,
D6/569, 672, 673, 675.1, 705, 560;
D3/304-315, 319; 108/28-29, 152;
211/13.1, 42, 71.01, 86.01, 87.01, 88.01,
211/88.03, 90.01, 90.03, 126.1, 133.5,
211/134, 153, 182; 248/205.3, 235, 243,
248/247, 249, 250
CPC A47B 43/00; A47B 43/04; A47B 47/0066;
A47B 47/04; A47B 63/00; A47B 69/00;
A47B 71/00; B65D 51/00
See application file for complete search history.

D919,326 S 5/2021 Wang
D931,643 S * 9/2021 Li D6/375
D956,535 S * 7/2022 Paillason D8/373
D969,515 S * 11/2022 Feng A47K 1/09
D6/570

OTHER PUBLICATIONS

Amazon.com, Black Round Floating Shelves, Nov. 30, 2019, <https://www.amazon.com/Admired-Nature-Wall-Mounted-Floating-ABN5E094S-BLK/dp/B085JWXWDY/> (Year: 2019).*
Amazon.com, Homode Floating Shelves, Round Wall Shelf 3 Tier, Jun. 21, 2018, <https://www.amazon.com/Homode-Floating-Geometric-Decorative-Farmhouse/dp/B07PK9JLSY/> (Year: 2018).*

* cited by examiner

Primary Examiner — Nathan M Johnston

(57) **CLAIM**

The ornamental design for a floating shelf, as shown and described.

DESCRIPTION

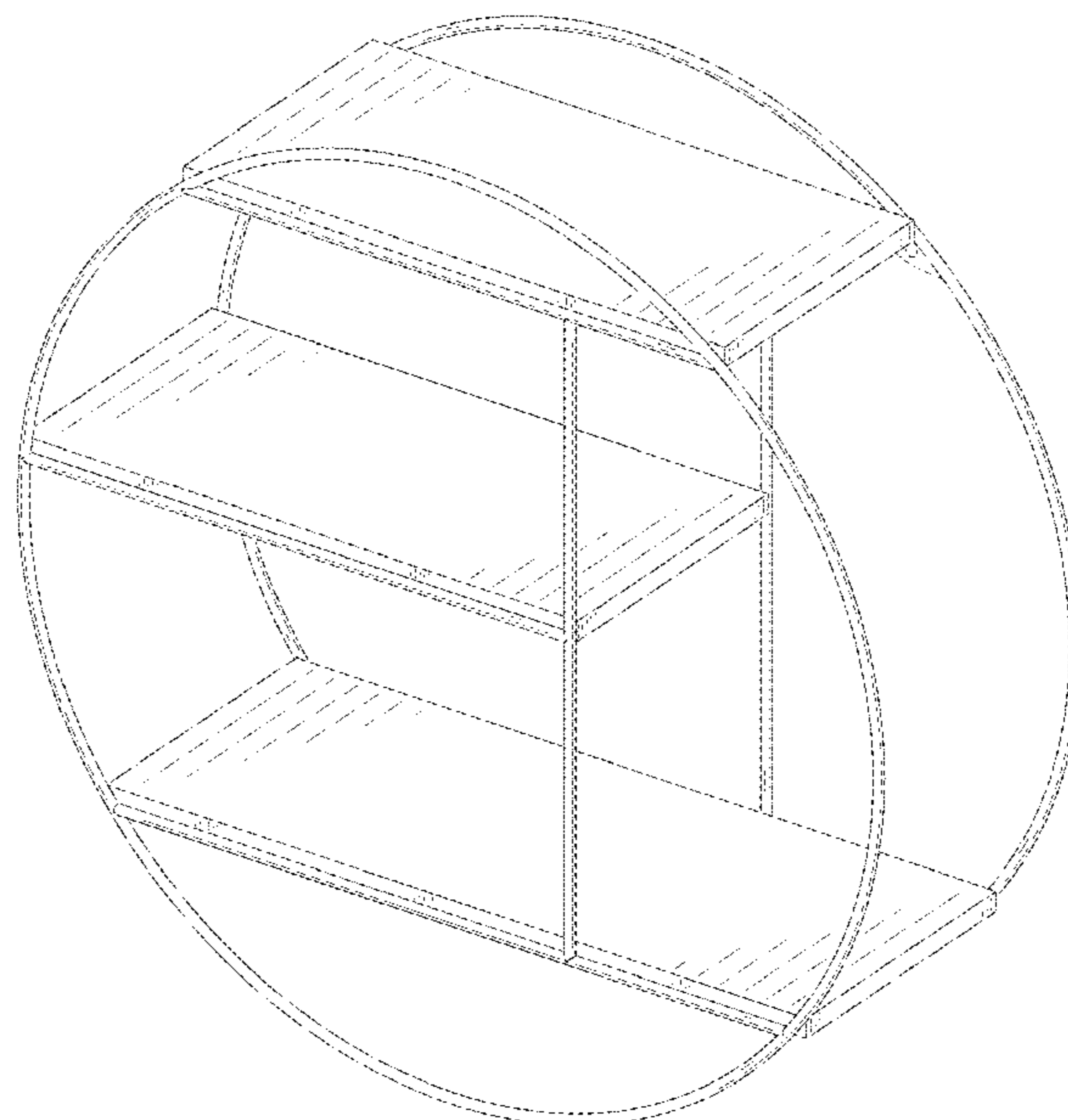
FIG. 1 is a front and top perspective view of a floating shelf, showing my new design;
FIG. 2 is a rear and bottom perspective view thereof;
FIG. 3 is a front elevation view thereof;
FIG. 4 is a rear elevation view thereof;
FIG. 5 is a left side elevation view thereof;
FIG. 6 is a right side elevation view thereof;
FIG. 7 is a top plan view thereof;
FIG. 8 is a bottom plan view thereof; and,
FIG. 9 is an enlarged perspective view of detail “9” identified in FIG. 2.
The dashed lines in the figures illustrate portions of the floating shelf that form no part of the claimed design. The dash dot dash lines in FIGS. 2 and 9 are for the purpose of illustrating the enlarged view indicators and form no part of the claimed design.

(56) **References Cited**

U.S. PATENT DOCUMENTS

- D161,627 S * 1/1951 Haworth 211/186
- D163,338 S * 5/1951 Sontag D6/563
- D179,576 S * 1/1957 Lane D6/678.4
- 4,122,782 A * 10/1978 Coombs A47B 43/04
108/162
- D262,611 S * 1/1982 Gonzales D11/143
- D282,226 S * 1/1986 Branciforti D6/571
- D292,053 S * 9/1987 Spurling D6/514
- D305,479 S * 1/1990 Williams D6/560
- D339,700 S * 9/1993 Ossip D6/687
- D445,599 S * 7/2001 Bradbury D6/553

1 Claim, 9 Drawing Sheets



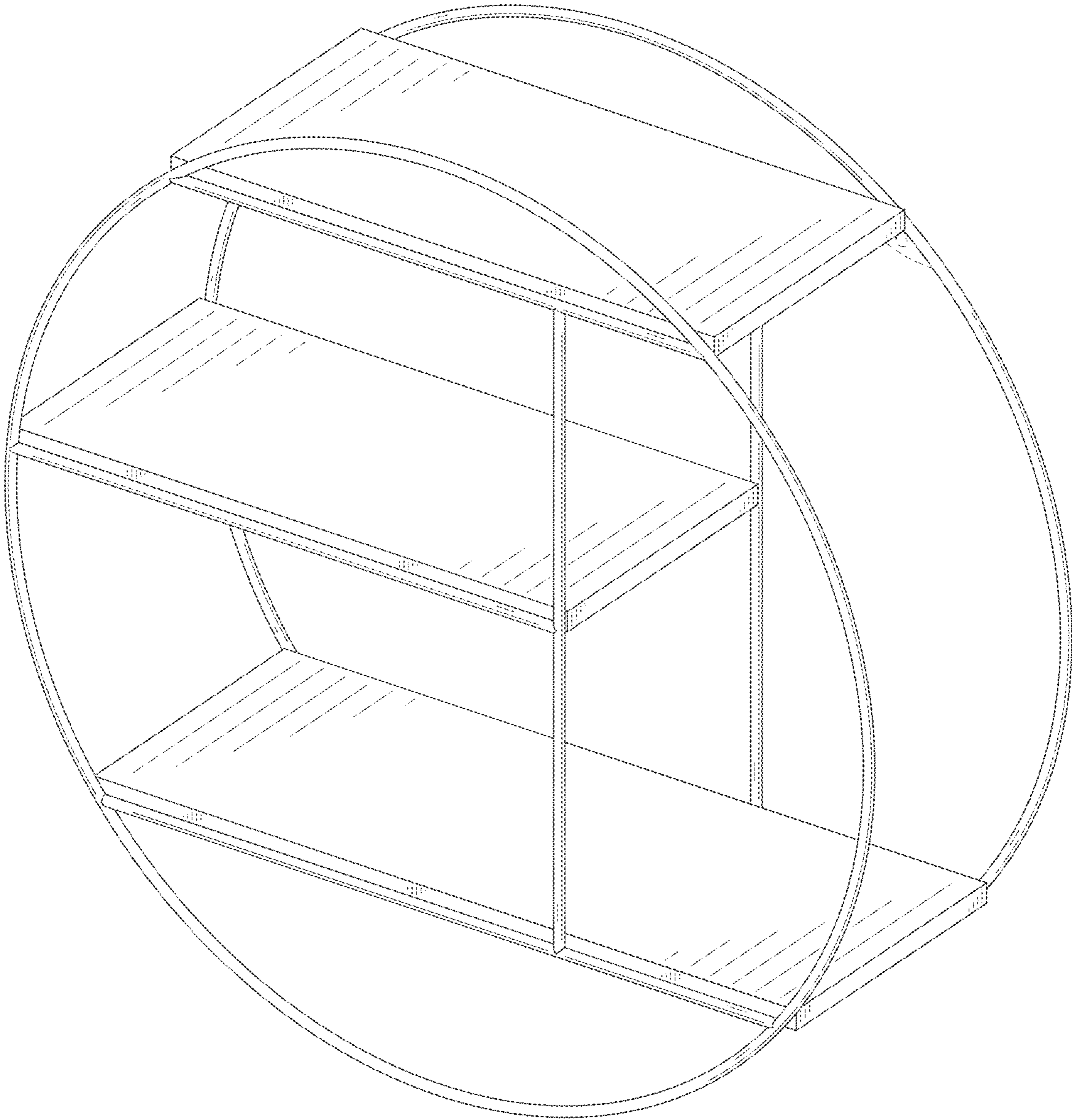


FIG. 1

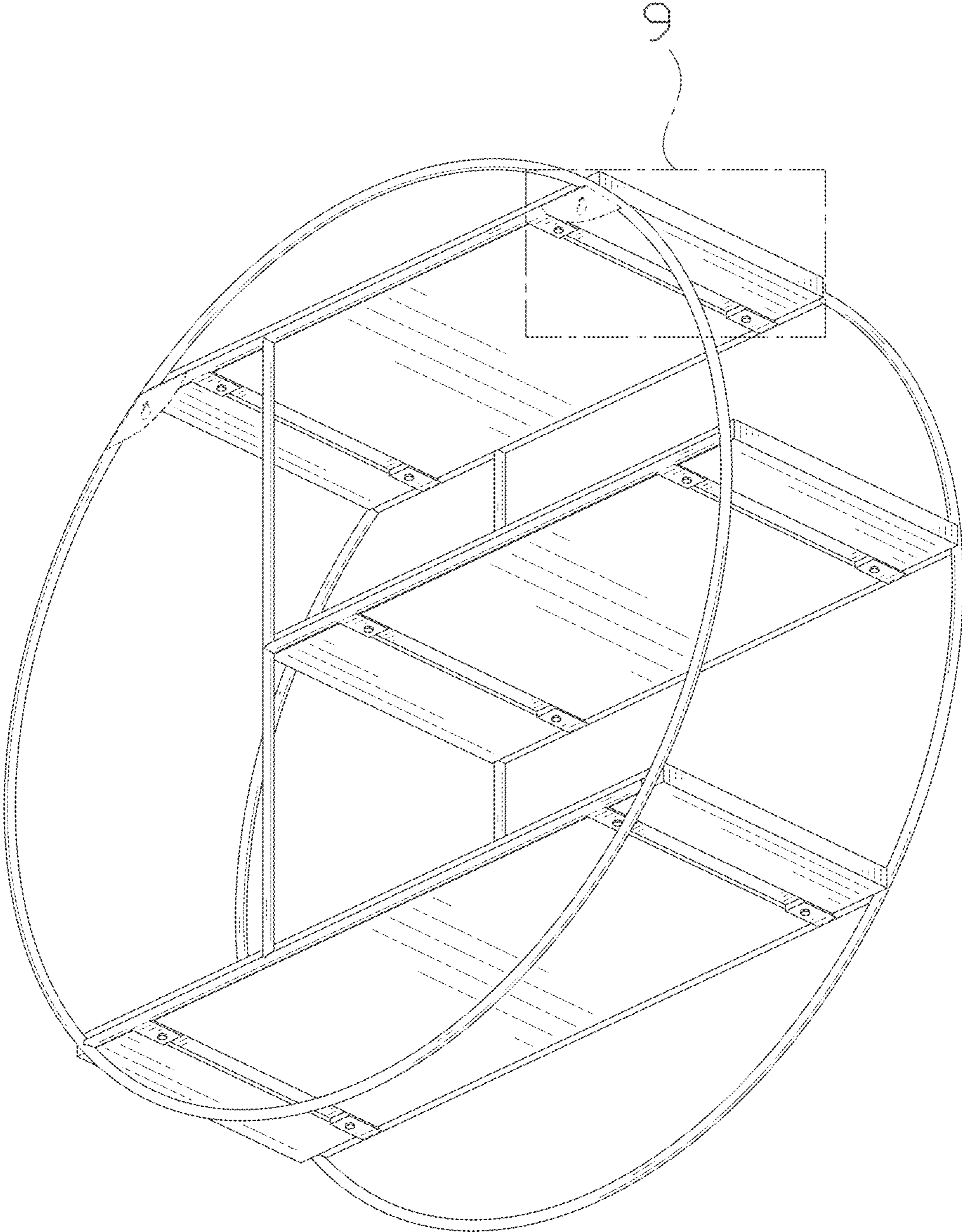


FIG. 2

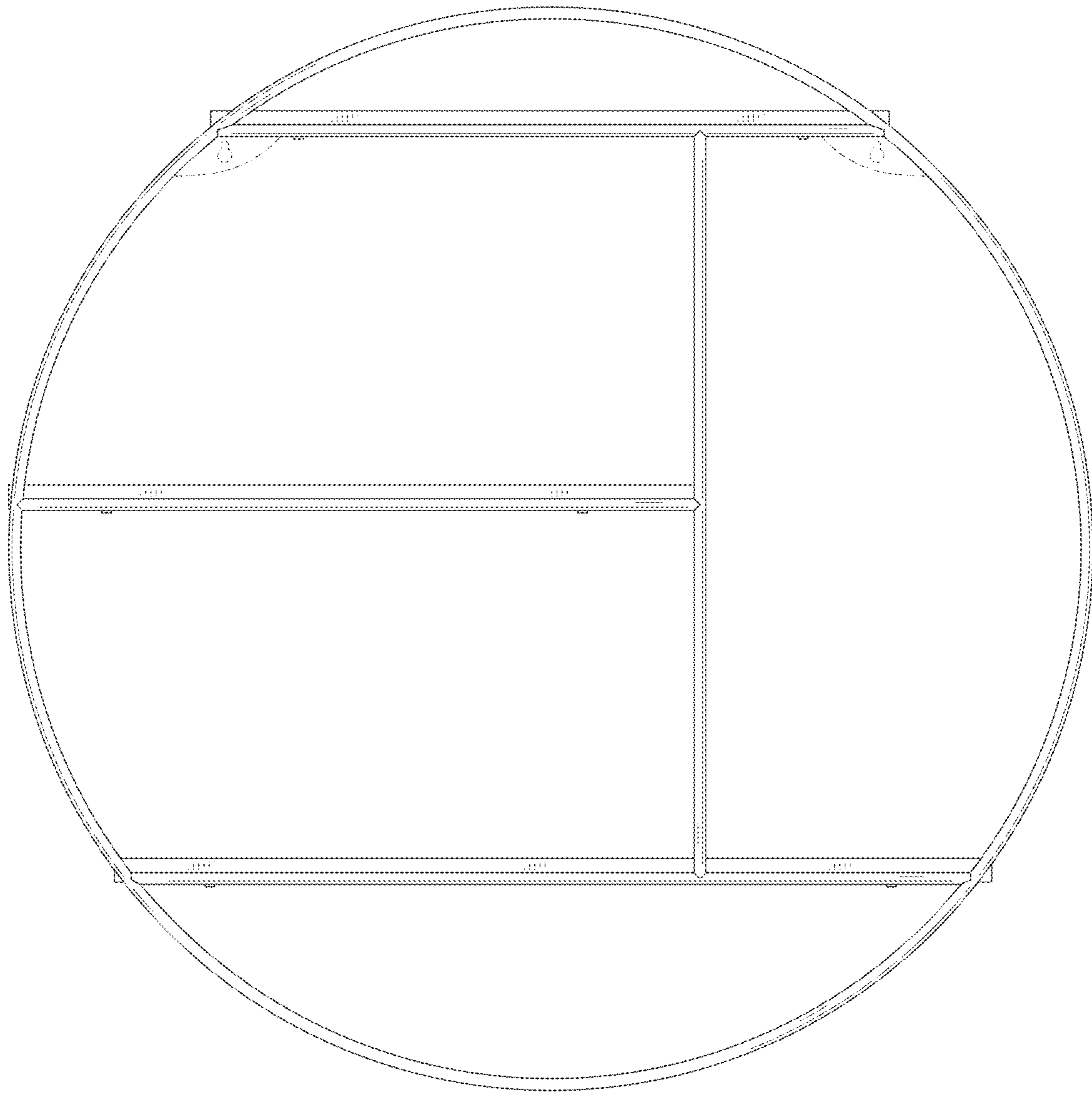


FIG. 3

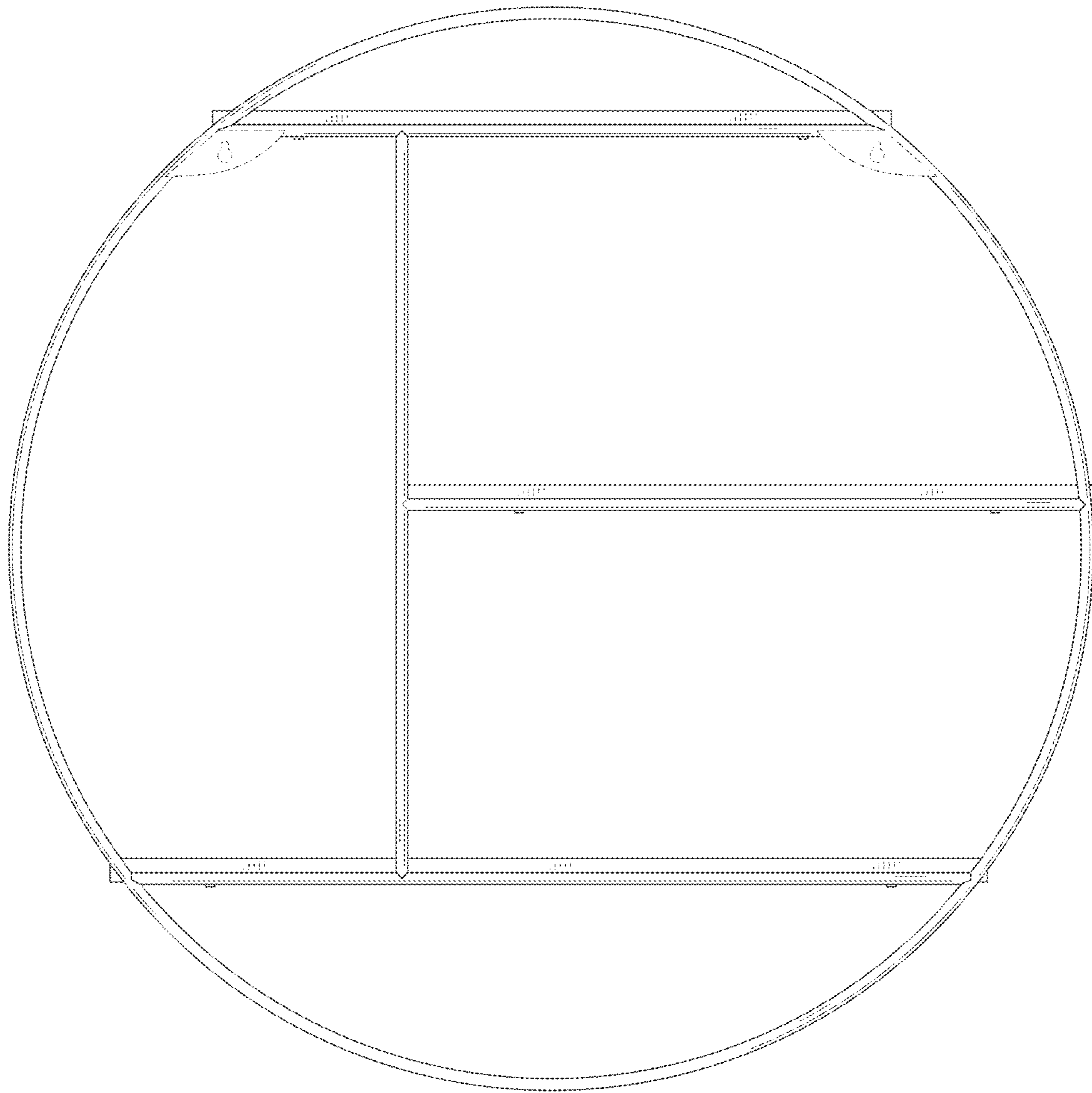


FIG. 4

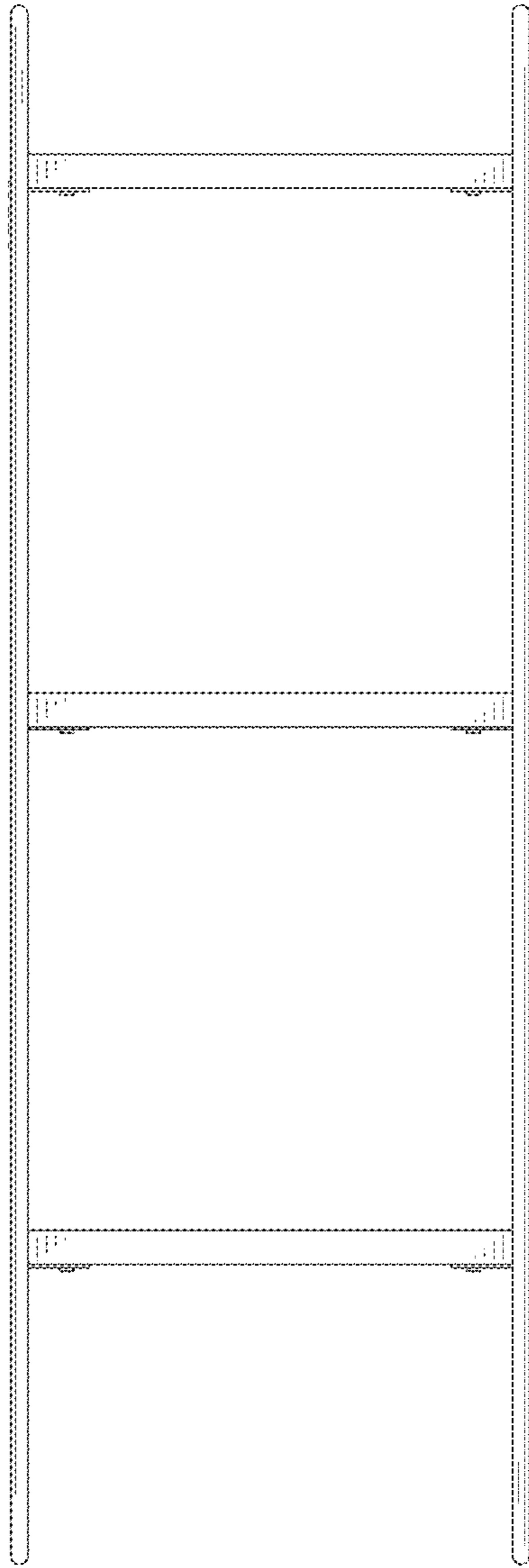


FIG. 5

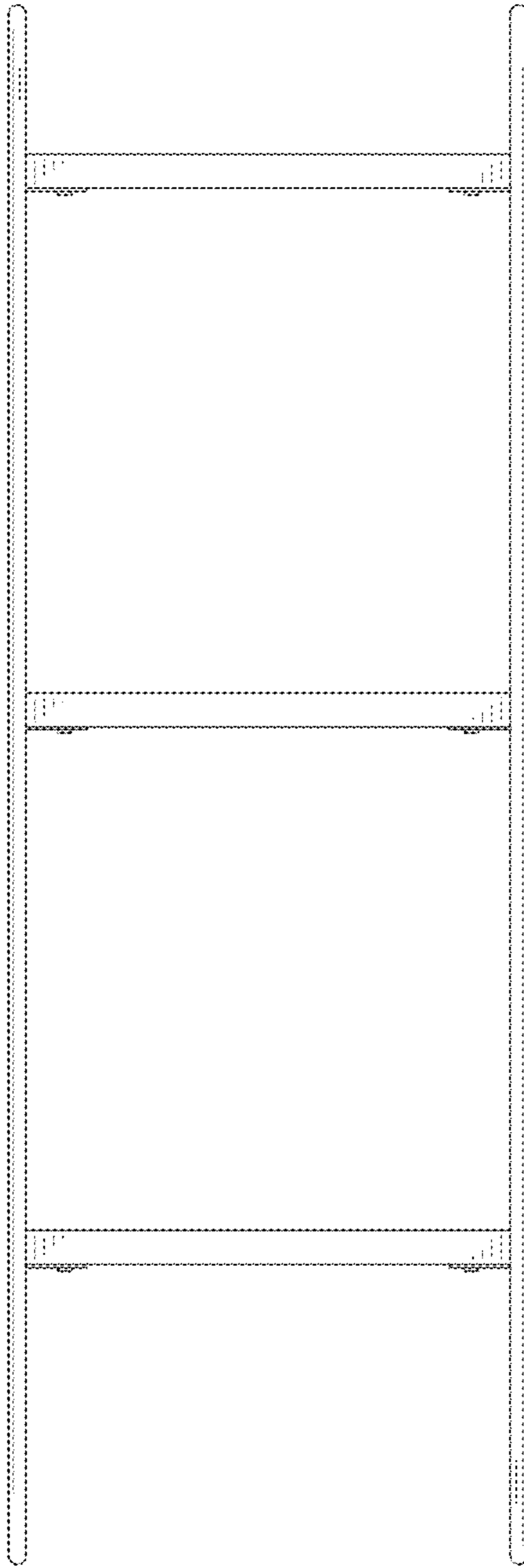


FIG. 6



FIG. 7

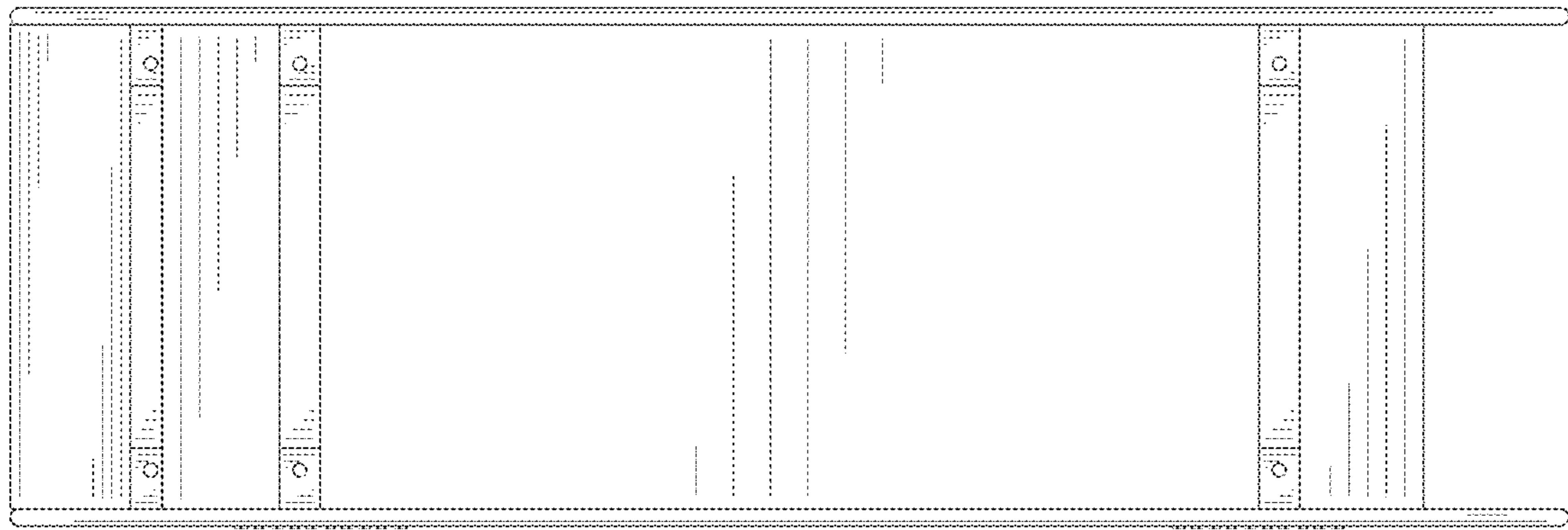


FIG. 8

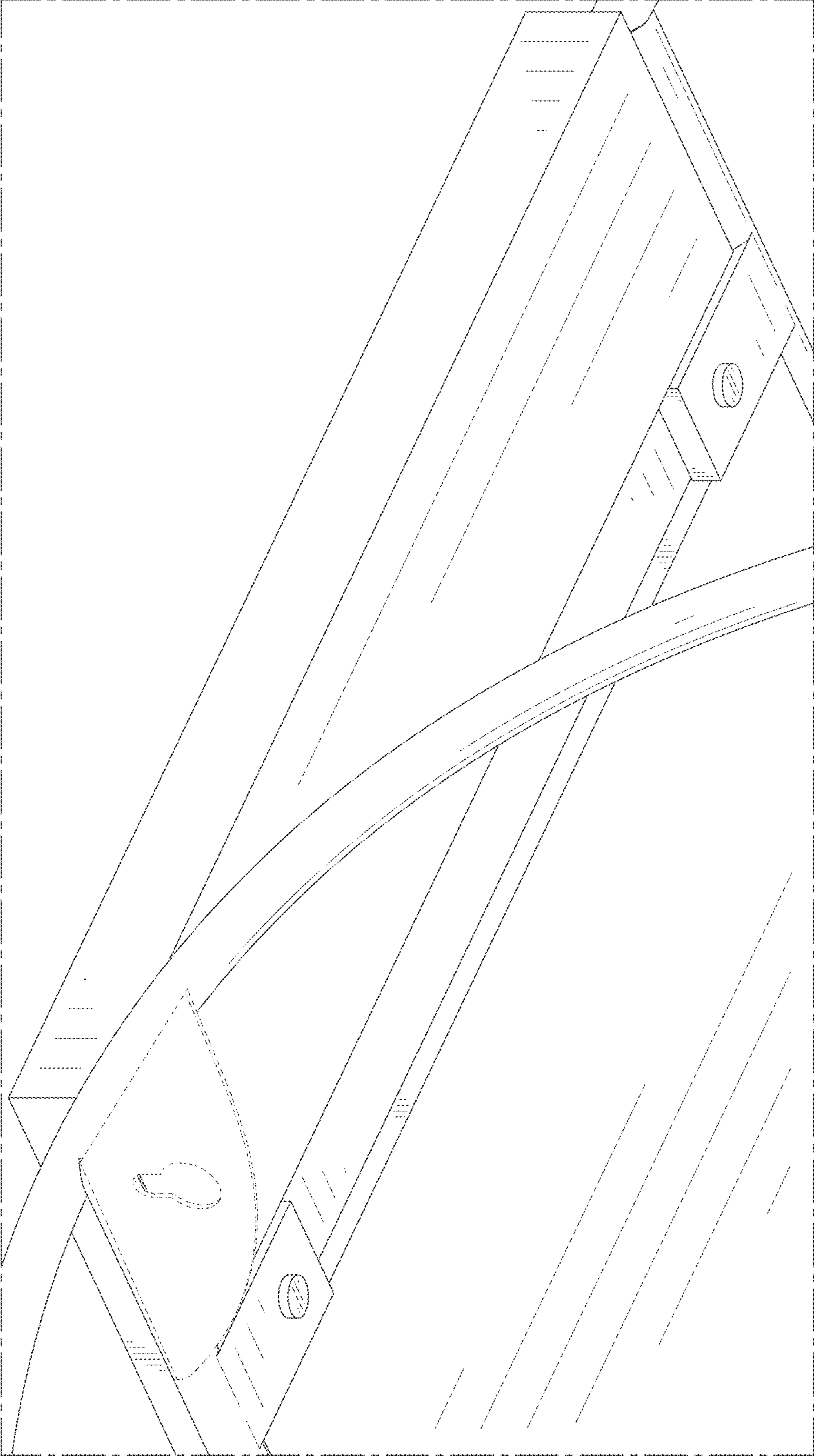


FIG. 9