



US00D985964S

(12) **United States Design Patent** (10) **Patent No.:** **US D985,964 S**
Sisto (45) **Date of Patent:** **** May 16, 2023**

(54) **SHELF APPARATUS**
(71) Applicant: **Salvatore Sisto**, Bradley Beach, NJ
(US)
(72) Inventor: **Salvatore Sisto**, Bradley Beach, NJ
(US)
(73) Assignee: **SALTO, LLC**
(**) Term: **15 Years**
(21) Appl. No.: **29/702,157**
(22) Filed: **Aug. 16, 2019**
(51) **LOC (14) Cl.** **06-04**
(52) **U.S. Cl.**
USPC **D6/574**
(58) **Field of Classification Search**
USPC D6/574, 672, 705, 702, 703.1, 705.1,
D6/705.2, 707, 707.19, 707.22, 707.23;
D19/113
CPC ... F25D 25/02; F25D 2325/021; A47B 96/02;
A47B 57/42; A47B 2220/0041; A47B
96/1441
See application file for complete search history.

(56) **References Cited**

U.S. PATENT DOCUMENTS

3,752,088 A 8/1973 Kapnek
D260,832 S * 9/1981 Verdesca D6/572
D267,059 S * 11/1982 Thompson D6/574
D328,680 S * 8/1992 Zapf D6/707.19
D483,970 S * 12/2003 Lin D6/707.19
D489,927 S 5/2004 Hoernig
8,082,859 B2 12/2011 Sevac
9,163,415 B2 10/2015 Nies
9,185,979 B1 11/2015 Jenks et al.
D764,834 S 8/2016 Citterio
9,861,198 B2 1/2018 Anderson
D811,138 S * 2/2018 Lee D6/705
D811,139 S * 2/2018 Lee D6/705.1

D847,535 S 5/2019 Goodman et al.
D861,403 S * 10/2019 Hurford D6/705
D884,400 S * 5/2020 Chen D6/705
D916,522 S * 4/2021 Hong D6/574
D916,523 S * 4/2021 Hong D6/574
D946,929 S * 3/2022 Holzmann D6/574
D959,874 S * 8/2022 Huang D6/574

* cited by examiner

Primary Examiner — Marie D. Fast Horse
Assistant Examiner — Jennifer Sierra Yosinski
(74) *Attorney, Agent, or Firm* — Belles Katz LLC

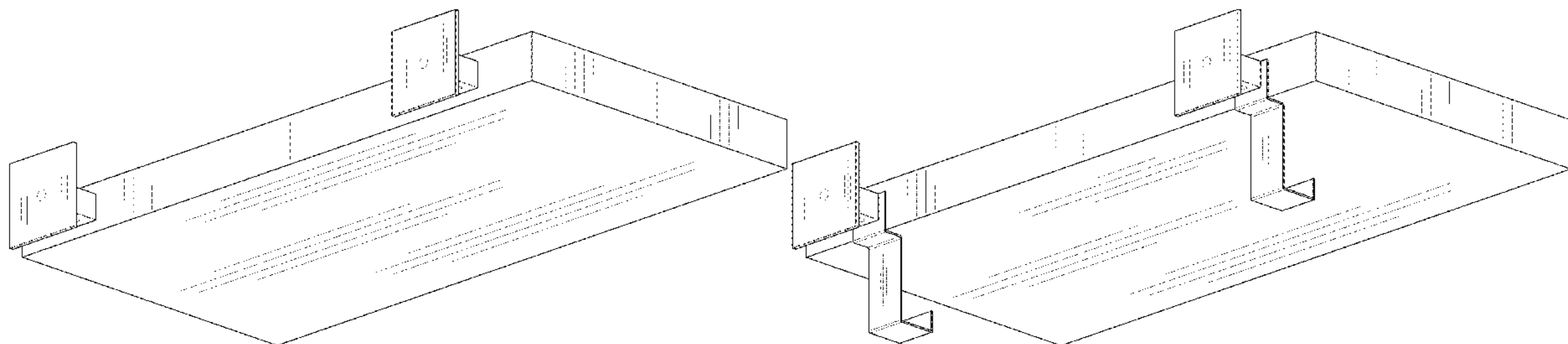
(57) **CLAIM**

The ornamental design for a shelf apparatus, as shown and described.

DESCRIPTION

FIG. 1 is a front perspective view of a shelf apparatus according to a first embodiment of the new design; FIG. 2 is a rear perspective view thereof; FIG. 3 is a front view thereof; FIG. 4 is a rear view thereof; FIG. 5 is a right side view thereof; FIG. 6 is a left side view thereof; FIG. 7 is a top view thereof; FIG. 8 is a bottom view thereof; FIG. 9 is a front perspective view of a shelf apparatus according to a second embodiment of the new design; FIG. 10 is a rear perspective view thereof; FIG. 11 is a front view thereof; FIG. 12 is a rear view thereof; FIG. 13 is a right side view thereof; FIG. 14 is a left side view thereof; FIG. 15 is a top view thereof; and, FIG. 16 is a bottom view thereof. The broken lines illustrating portions of the shelf apparatus form no part of the claimed design.

1 Claim, 16 Drawing Sheets



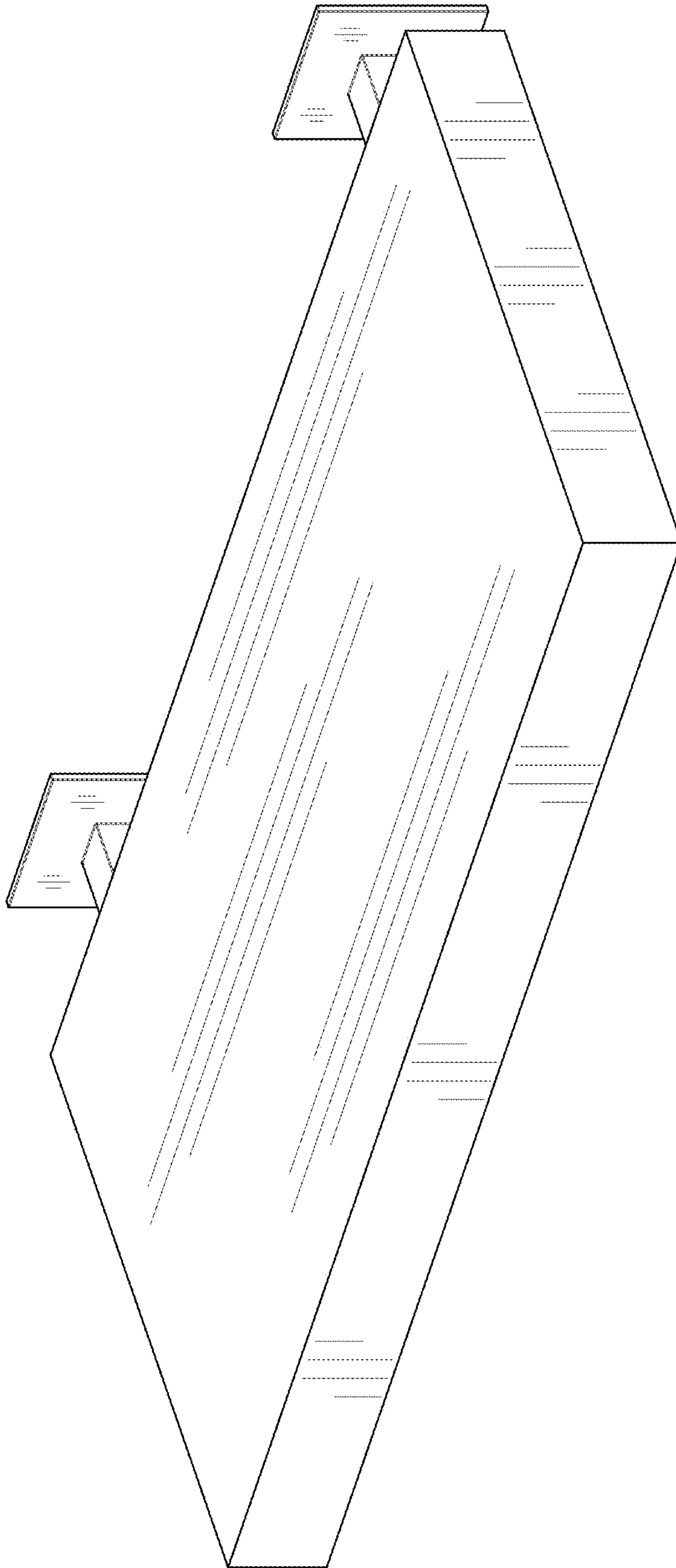


FIG. 1

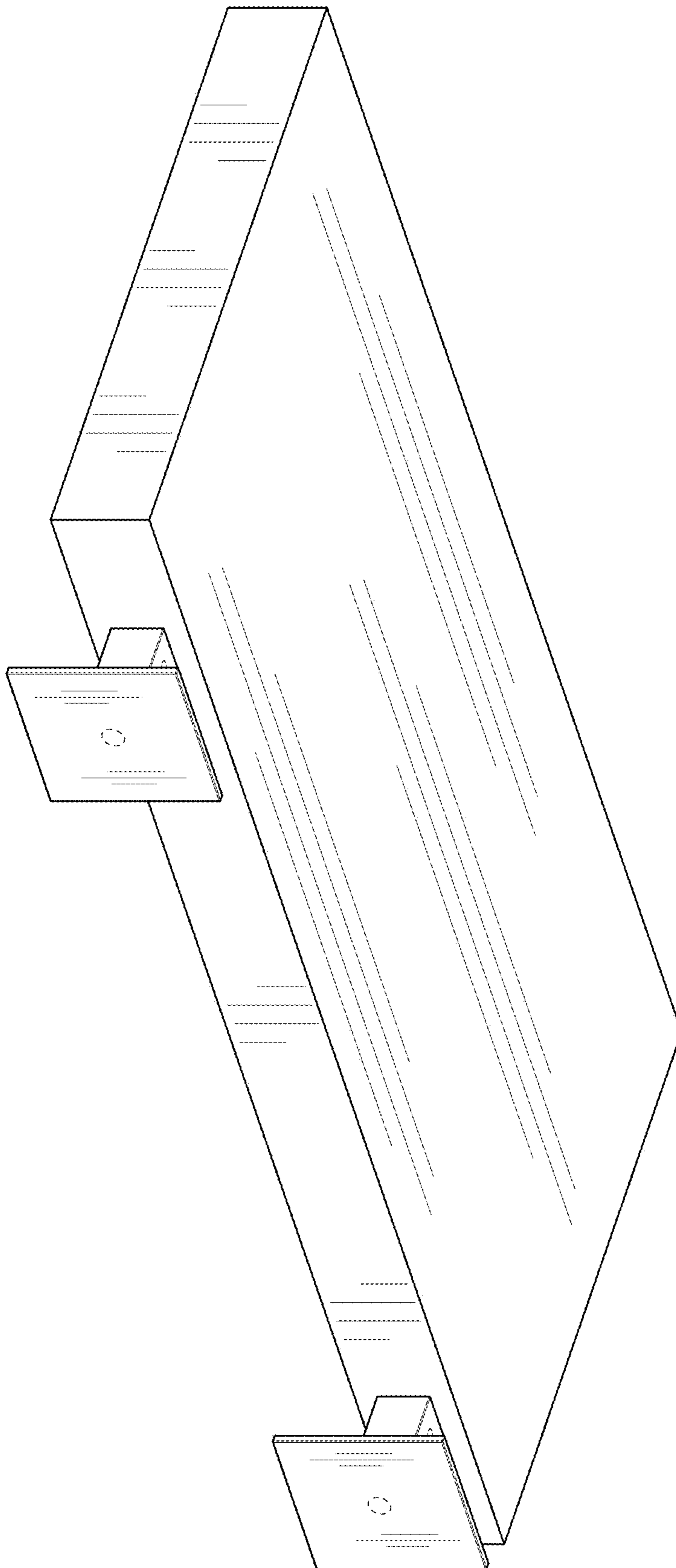


FIG. 2

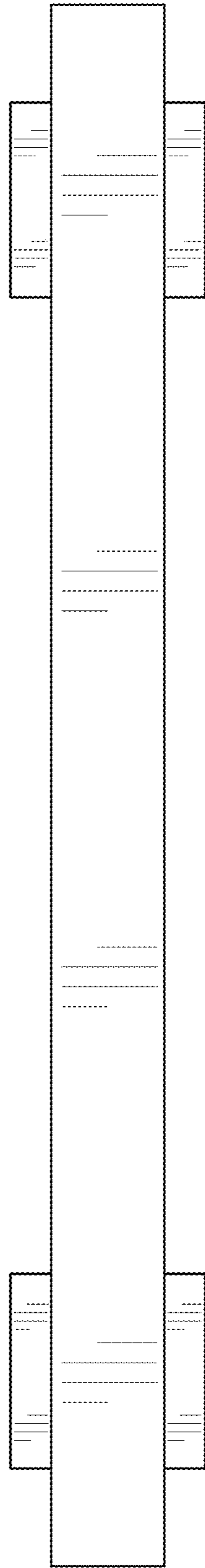


FIG. 3

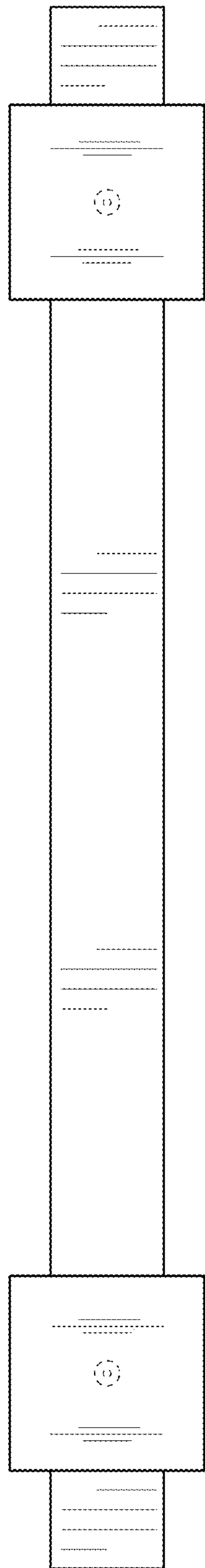


FIG. 4

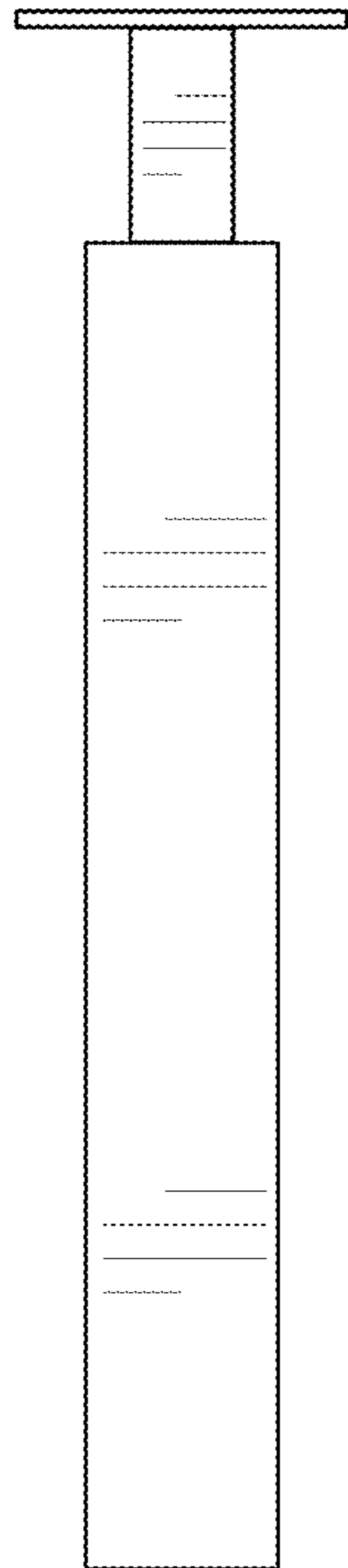


FIG. 5

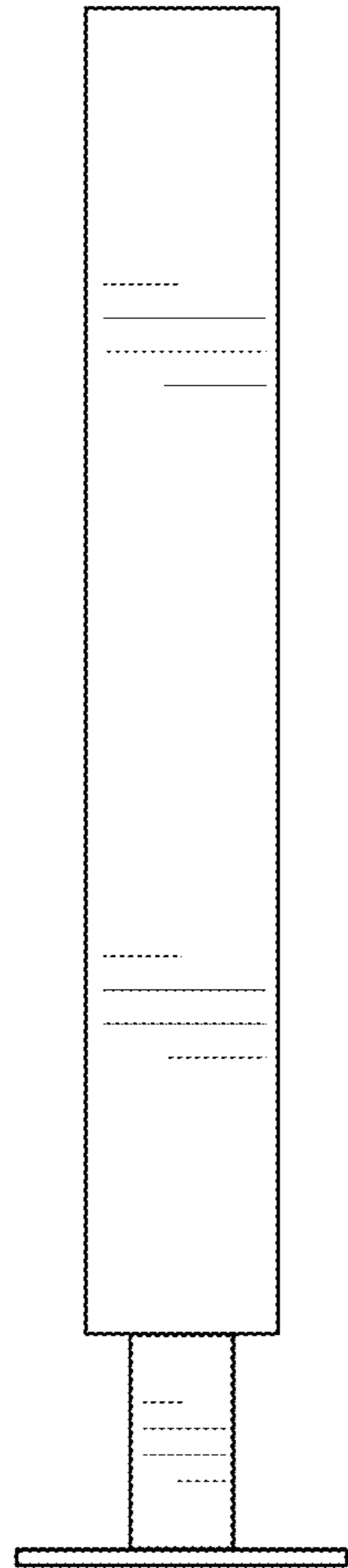


FIG. 6

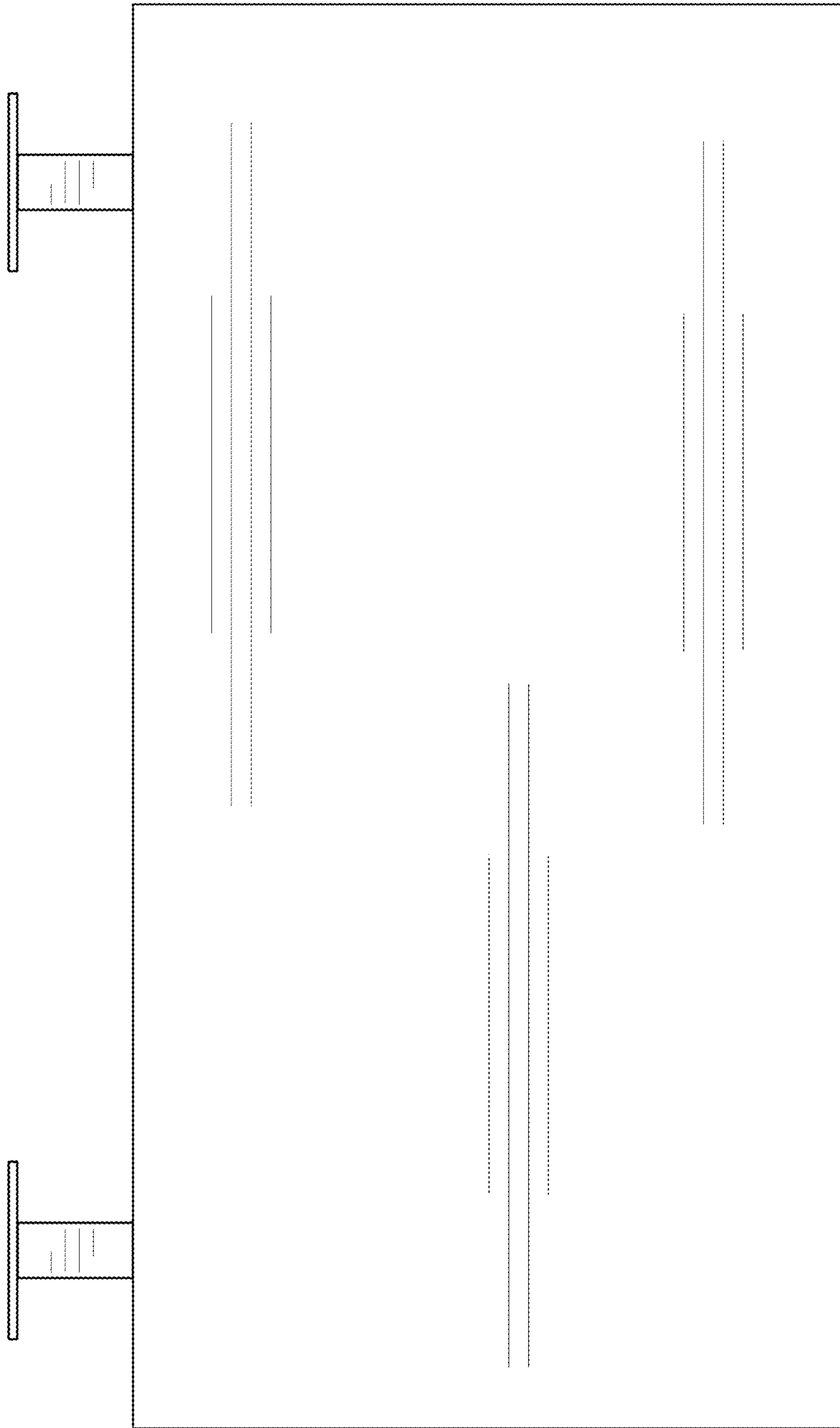


FIG. 7

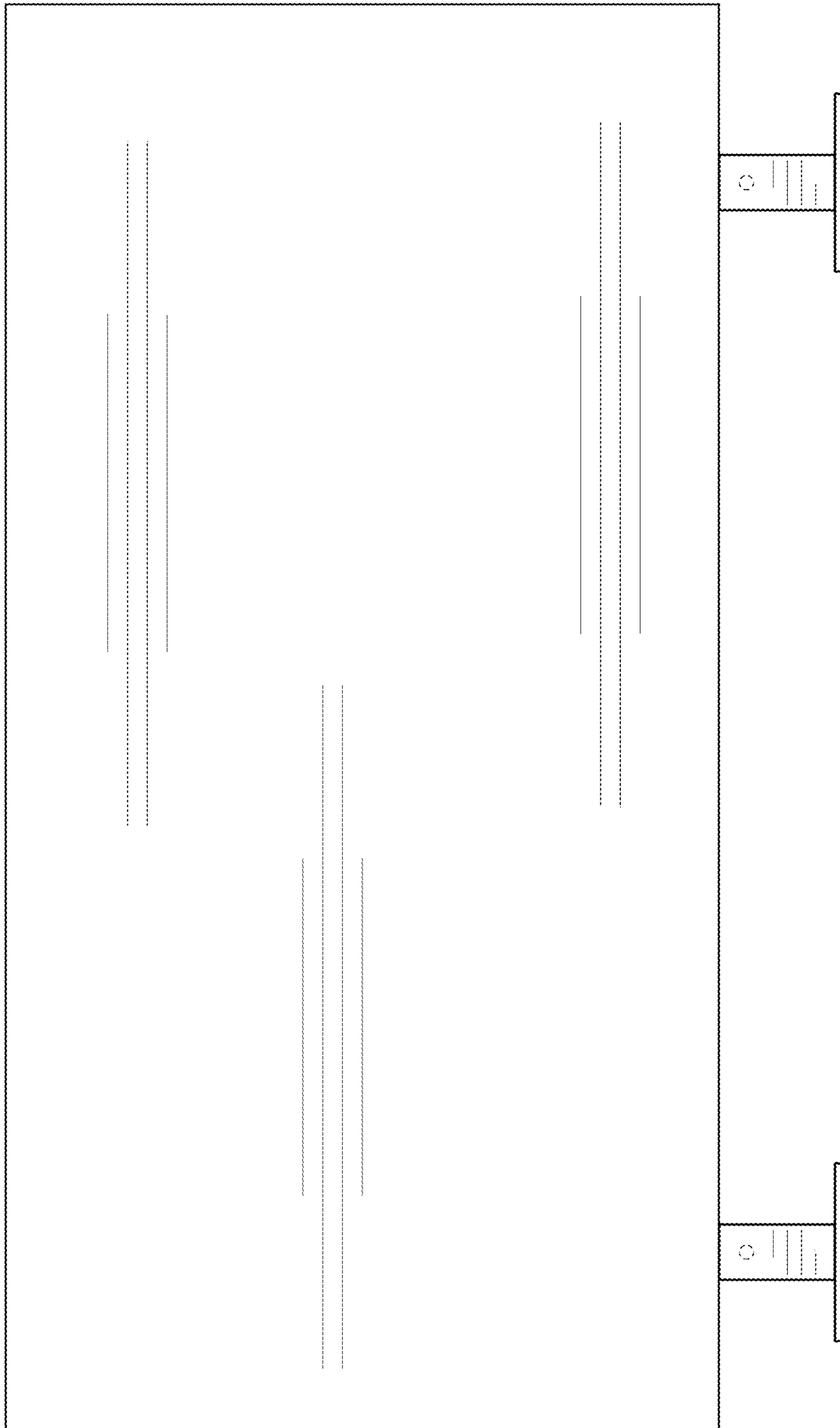


FIG. 8

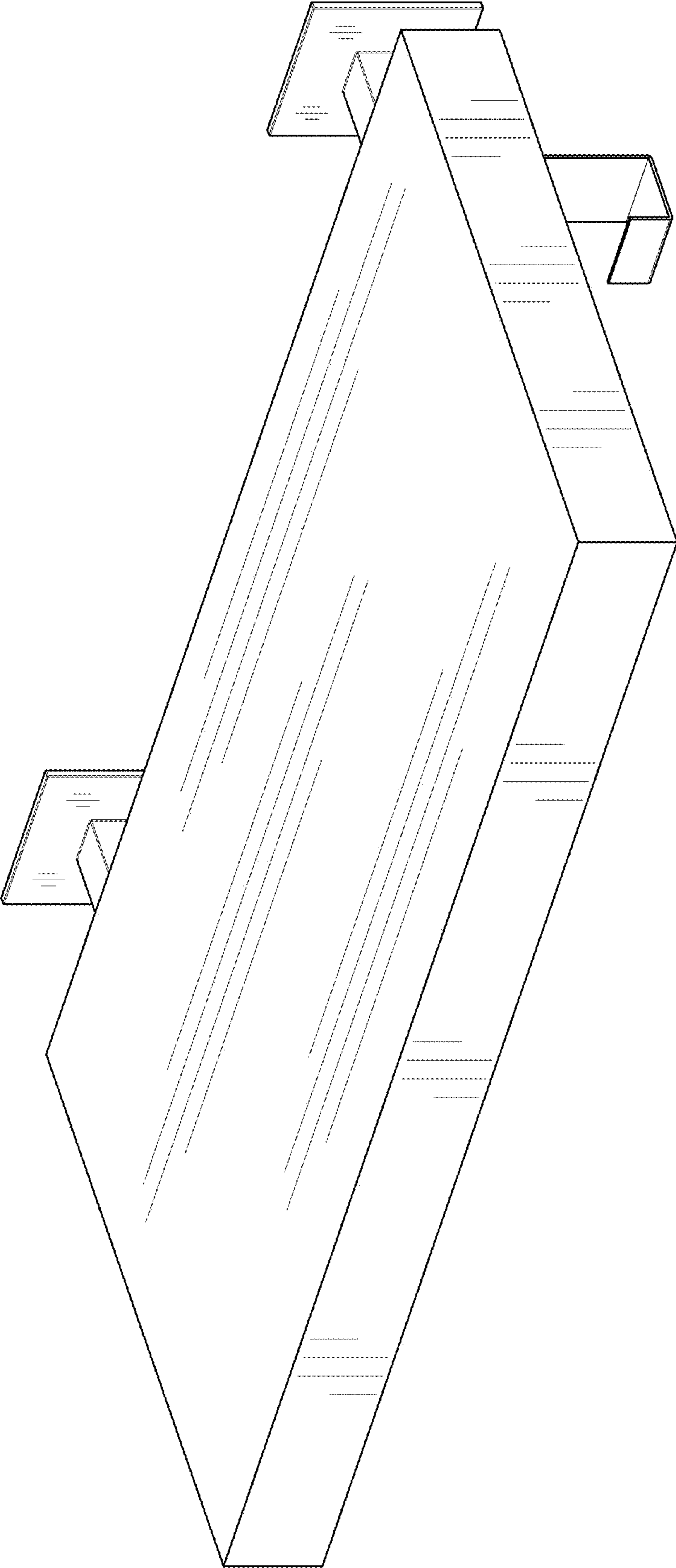


FIG. 9

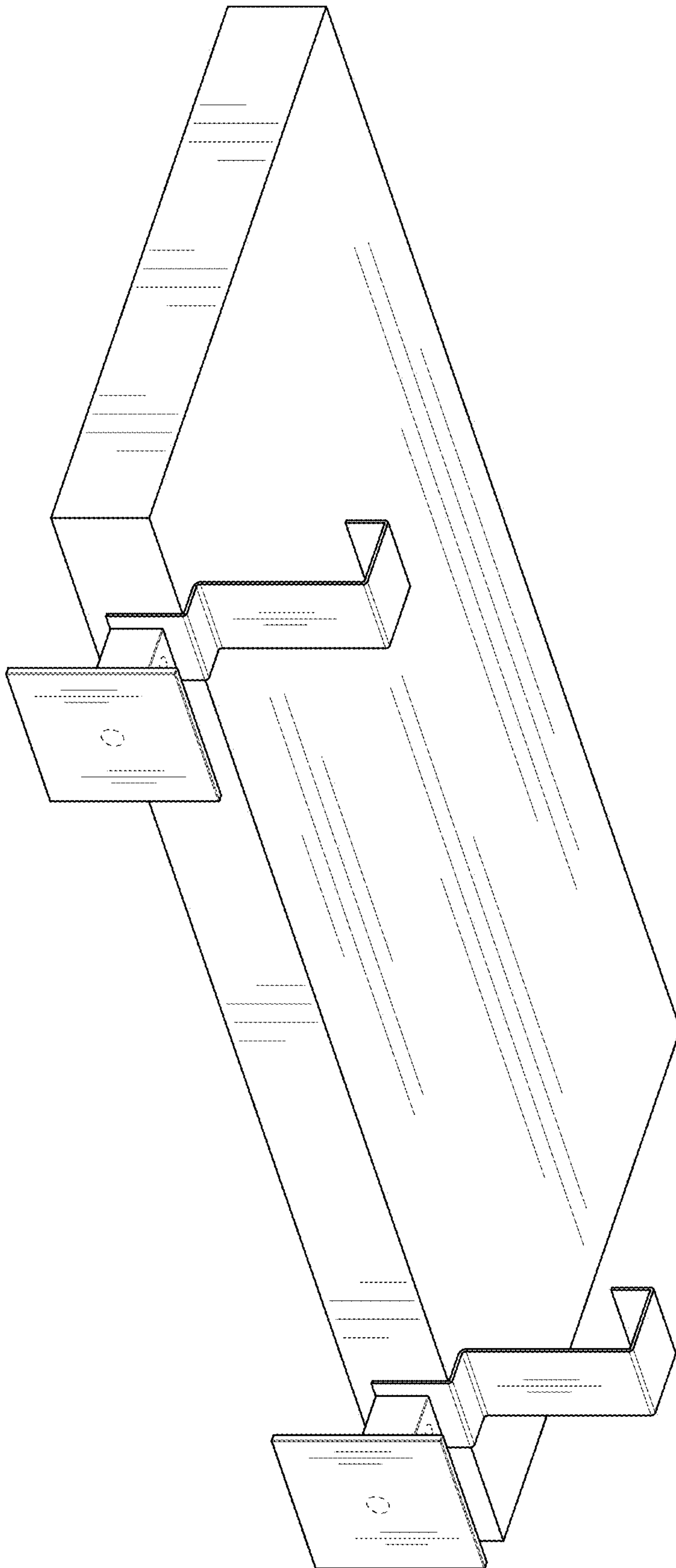


FIG. 10

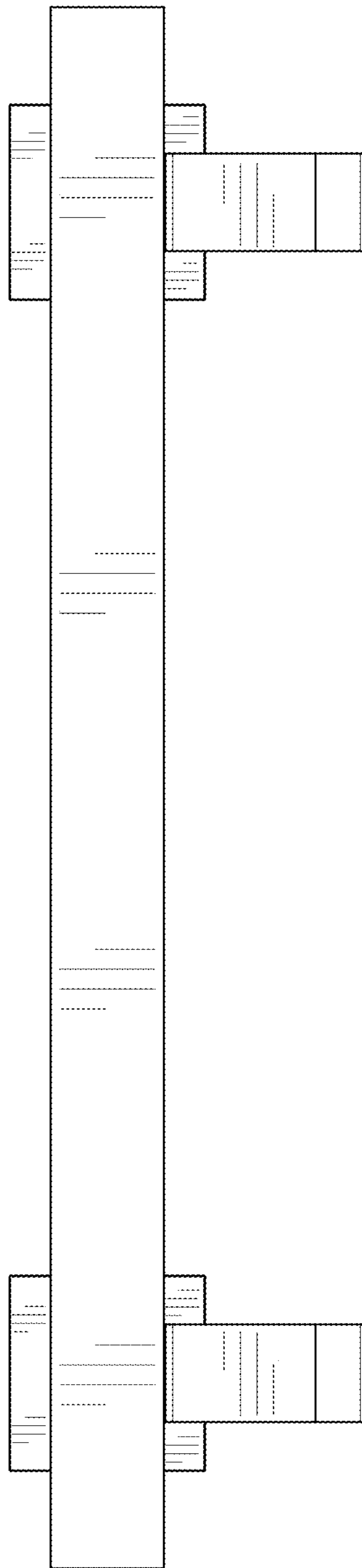


FIG. 11

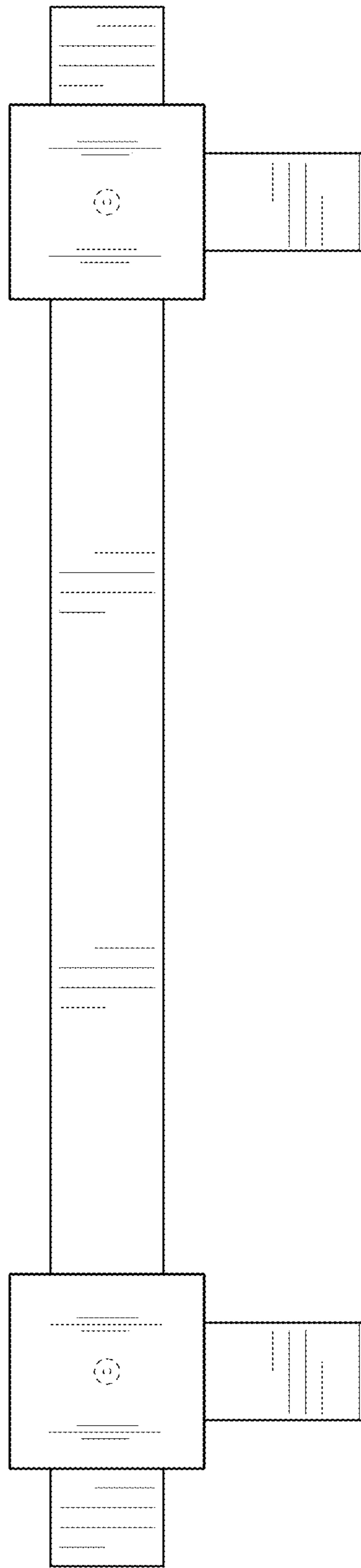


FIG. 12

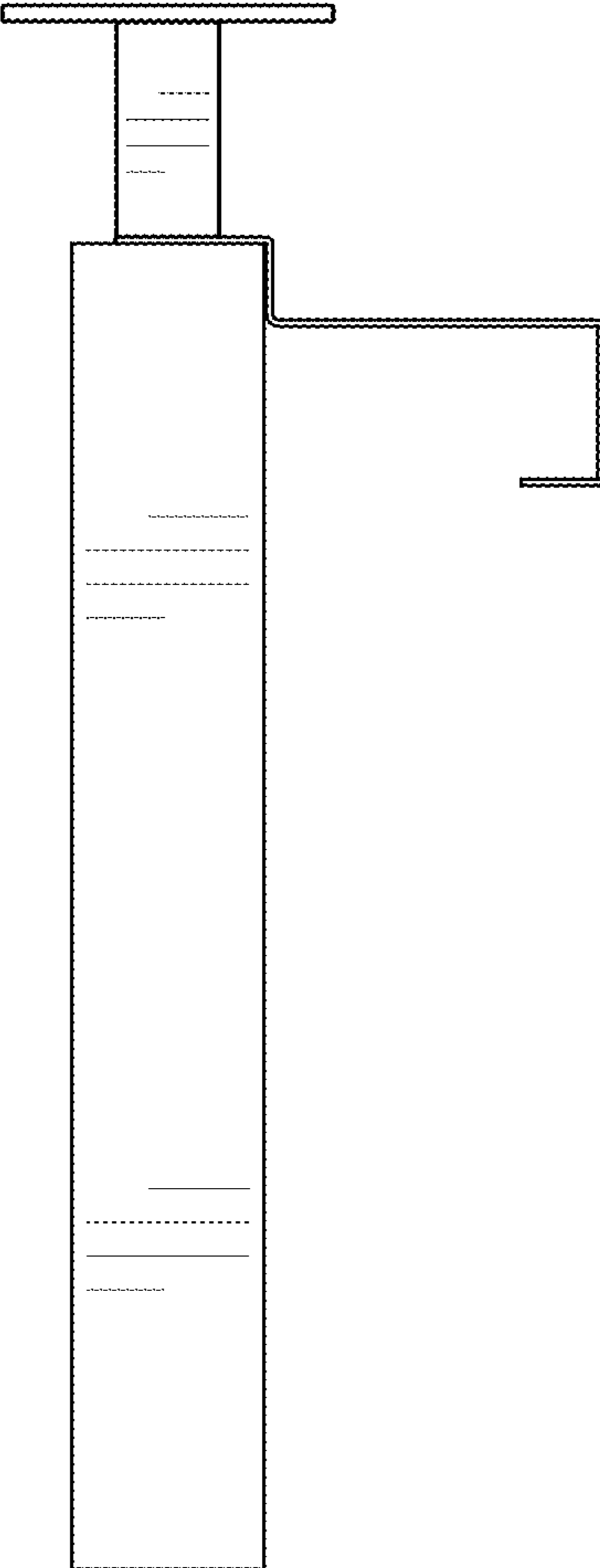


FIG. 13

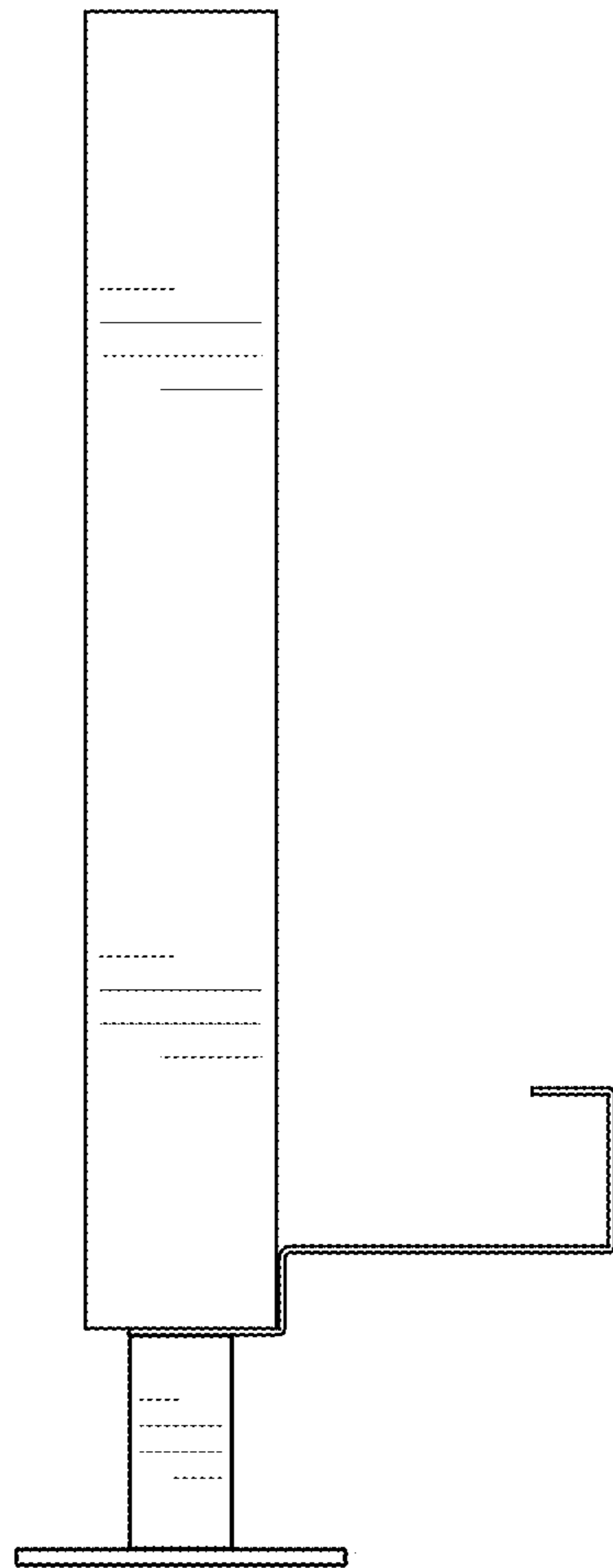


FIG. 14

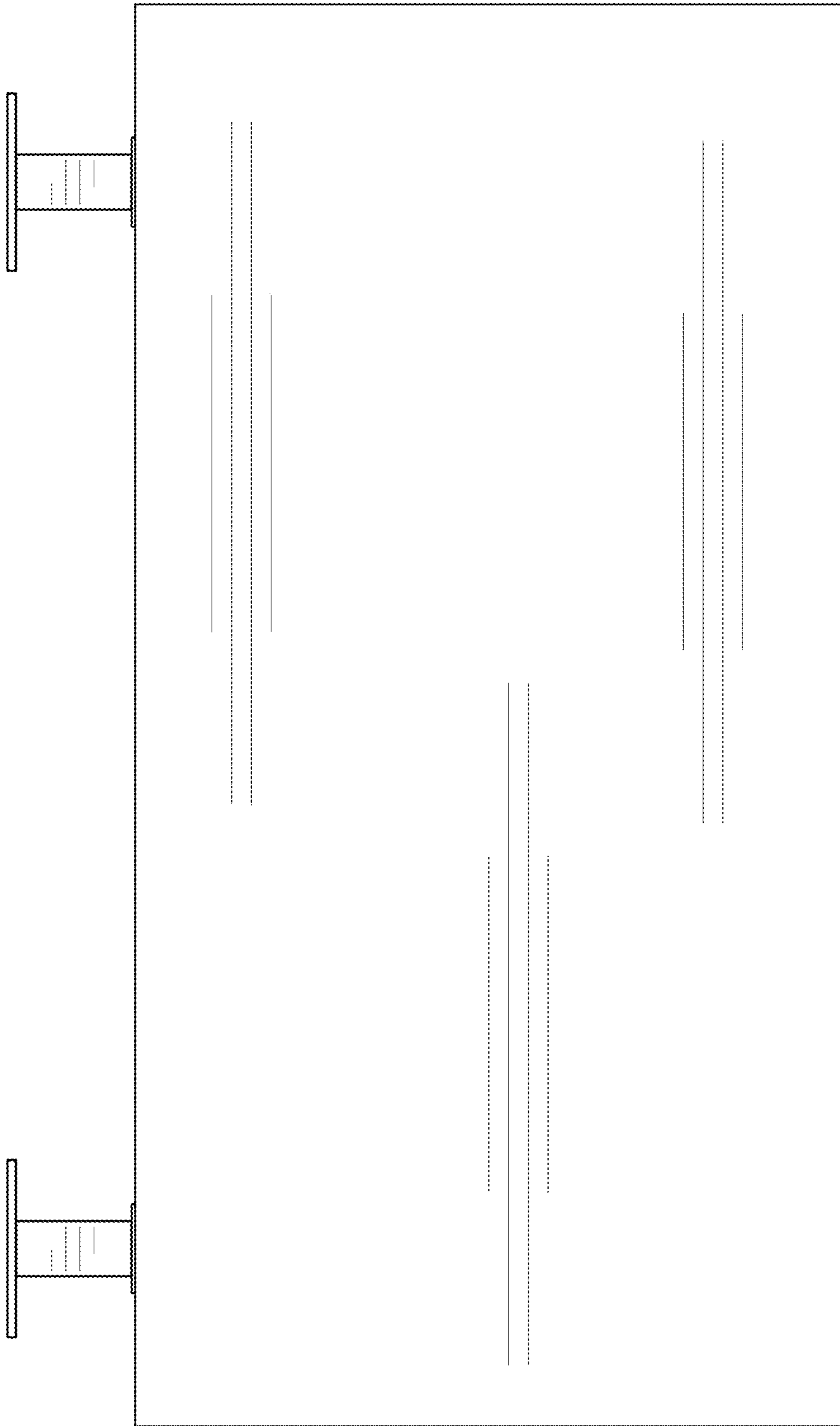


FIG. 15

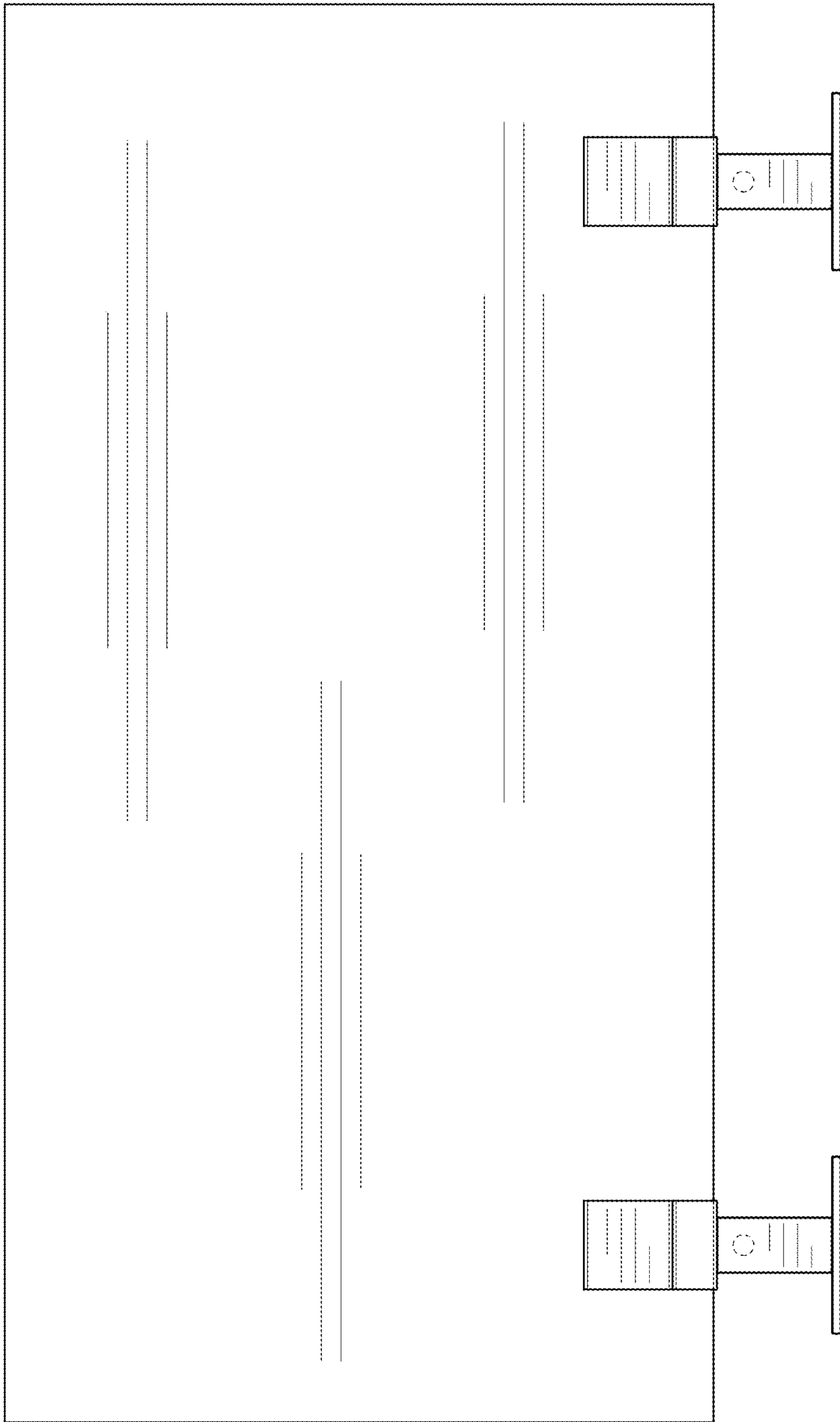


FIG. 16