



US00D985963S

(12) **United States Design Patent** (10) **Patent No.:** **US D985,963 S**
Wang (45) **Date of Patent:** **** May 16, 2023**

(54) **SPONGE HOLDER**

FOREIGN PATENT DOCUMENTS

(71) Applicant: **Xiaoping Wang**, Guangdong (CN)

CN 307509358 * 8/2022

(72) Inventor: **Xiaoping Wang**, Guangdong (CN)

JP D1170289 * 2/2003

JP D1228698 * 1/2005

JP D1337218 * 8/2008

(**) Term: **15 Years**

OTHER PUBLICATIONS

(21) Appl. No.: **29/813,276**

Eliung Flixblany 2 Pack Magnetic Sponge Holders for Kitchen Sink Stainless Steel Dish Sponge Holder Punch-Free Rustproof Kitchen Sink Magsink Holder Kitchen Accessories <https://a.co/d/iGeJE9V>, Dec. 19, 2021 (Year: 2021).*

(22) Filed: **Oct. 27, 2021**

(51) **LOC (14) Cl.** **08-08**

Nexcurio Store: Adhesive Sponge Holder Sink Caddy for Kitchen Accessories—SUS304 Stainless Steel Rust Proof Waterproof, Quick Drying, https://www.amazon.com/dp/B07PGPD1G4/ref=sspa_dk_detail_0, Mar. 6, 2019 (Year: 2019).*

(52) **U.S. Cl.**

USPC **D6/566**

(58) **Field of Classification Search**

USPC D3/304, 306; D6/524, 525, 536, 537, D6/538, 540, 553, 566, 574; D7/601, D7/704; D32/55

CPC A47G 29/00; A47G 29/08; A47G 29/087; A47J 47/20; A47L 17/02

See application file for complete search history.

* cited by examiner

Primary Examiner — Jennifer L Rempfer

Assistant Examiner — Bethany Louise Mallino

(57) **CLAIM**

The ornamental design for a sponge holder, as shown and described.

(56) **References Cited**

DESCRIPTION

U.S. PATENT DOCUMENTS

D273,736 S *	5/1984	Barry	D6/556
D389,660 S *	1/1998	Jouett	D6/536
D402,491 S *	12/1998	Tucker	D6/513
D405,652 S *	2/1999	Tsoi	D7/601
D413,469 S *	9/1999	Hampshire	D6/540
D432,316 S *	10/2000	Duggan	D8/372
D453,651 S *	2/2002	Snell	D6/537
D499,892 S *	12/2004	Schneider	D6/317
D543,441 S *	5/2007	Hall	D8/367
D679,095 S *	4/2013	Williams	D3/328
D899,853 S *	10/2020	Veldkamp	D7/409
D917,201 S *	4/2021	Dittrich	D32/55
D919,217 S *	5/2021	Wilson	D32/55
D947,655 S *	4/2022	Stednitz	D8/356
2005/0006322 A1 *	1/2005	Kershaw	A63B 47/00
				211/106

FIG. 1 is a front perspective view of a sponge holder design showing my new design.

FIG. 2 is a rear perspective view of a sponge holder.

FIG. 3 is a front view of a sponge holder.

FIG. 4 is a rear view of a sponge holder.

FIG. 5 is a left side view of a sponge holder.

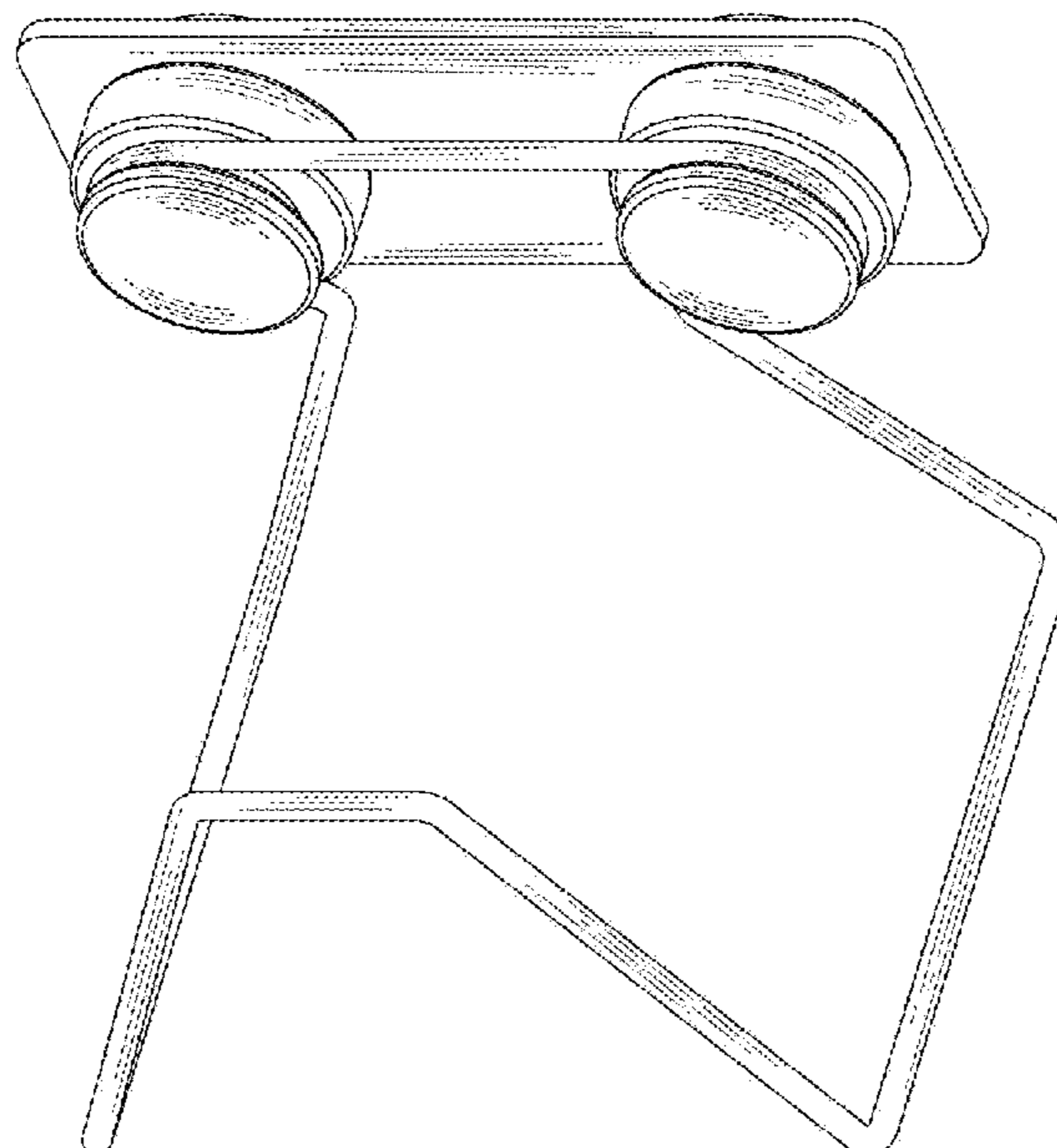
FIG. 6 is a right side view of a sponge holder.

FIG. 7 is a top view of a sponge holder; and,

FIG. 8 is a bottom view of a sponge holder.

Any shading and cross-hatching are not features of the design but are utilized to illustrate the surface contours of the sponge holder design in the drawings.

1 Claim, 8 Drawing Sheets



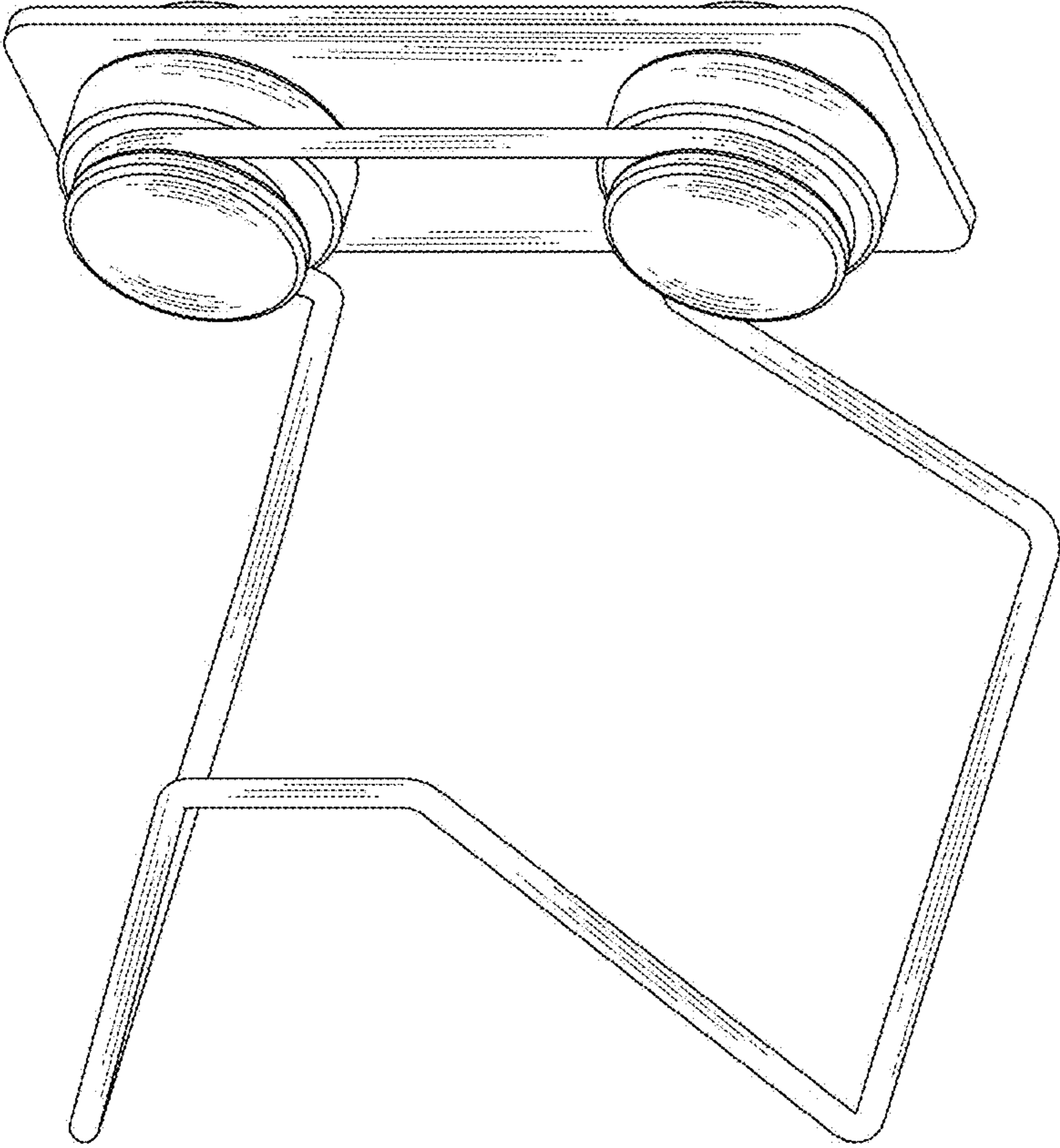


FIG. 1

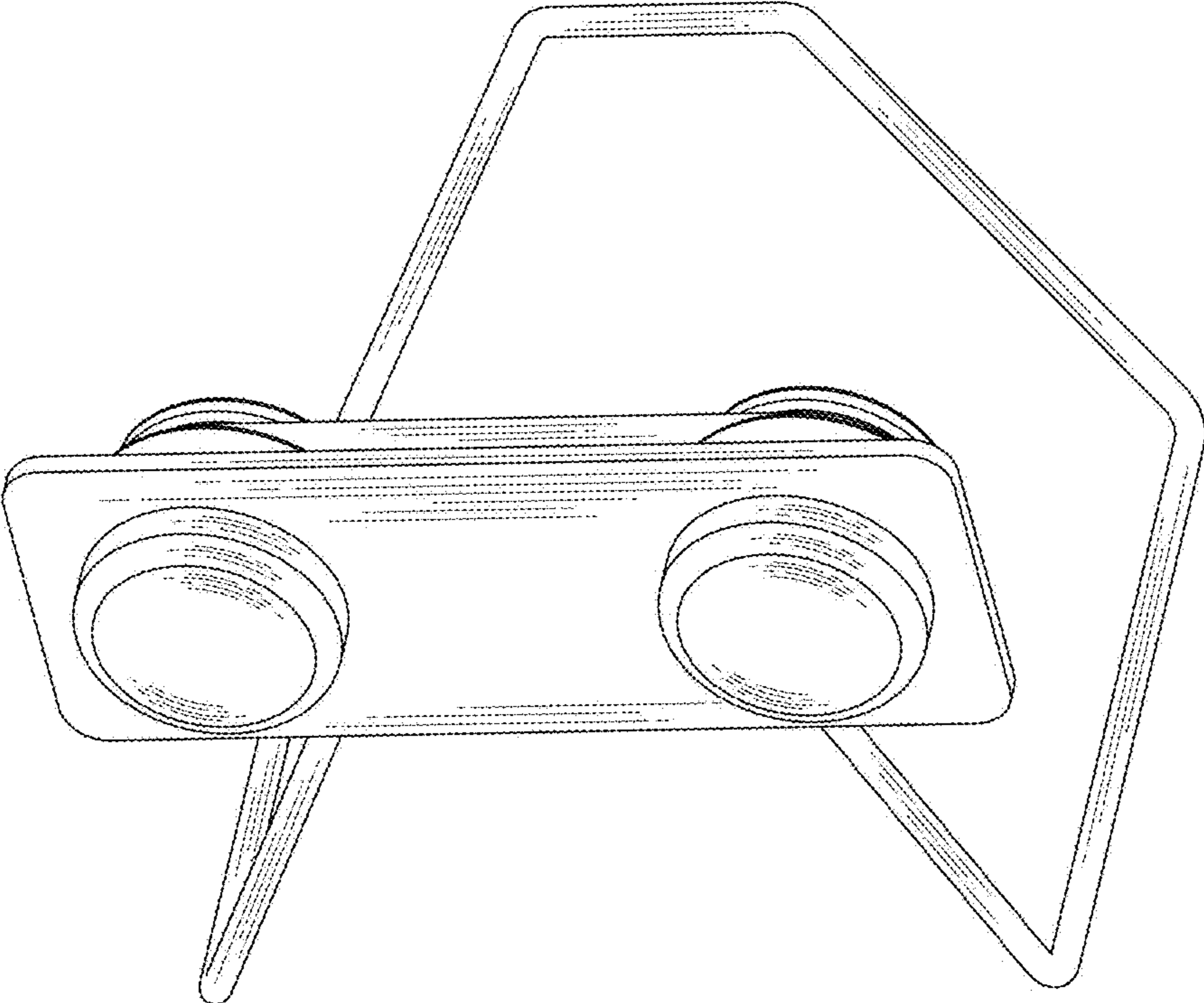


FIG. 2

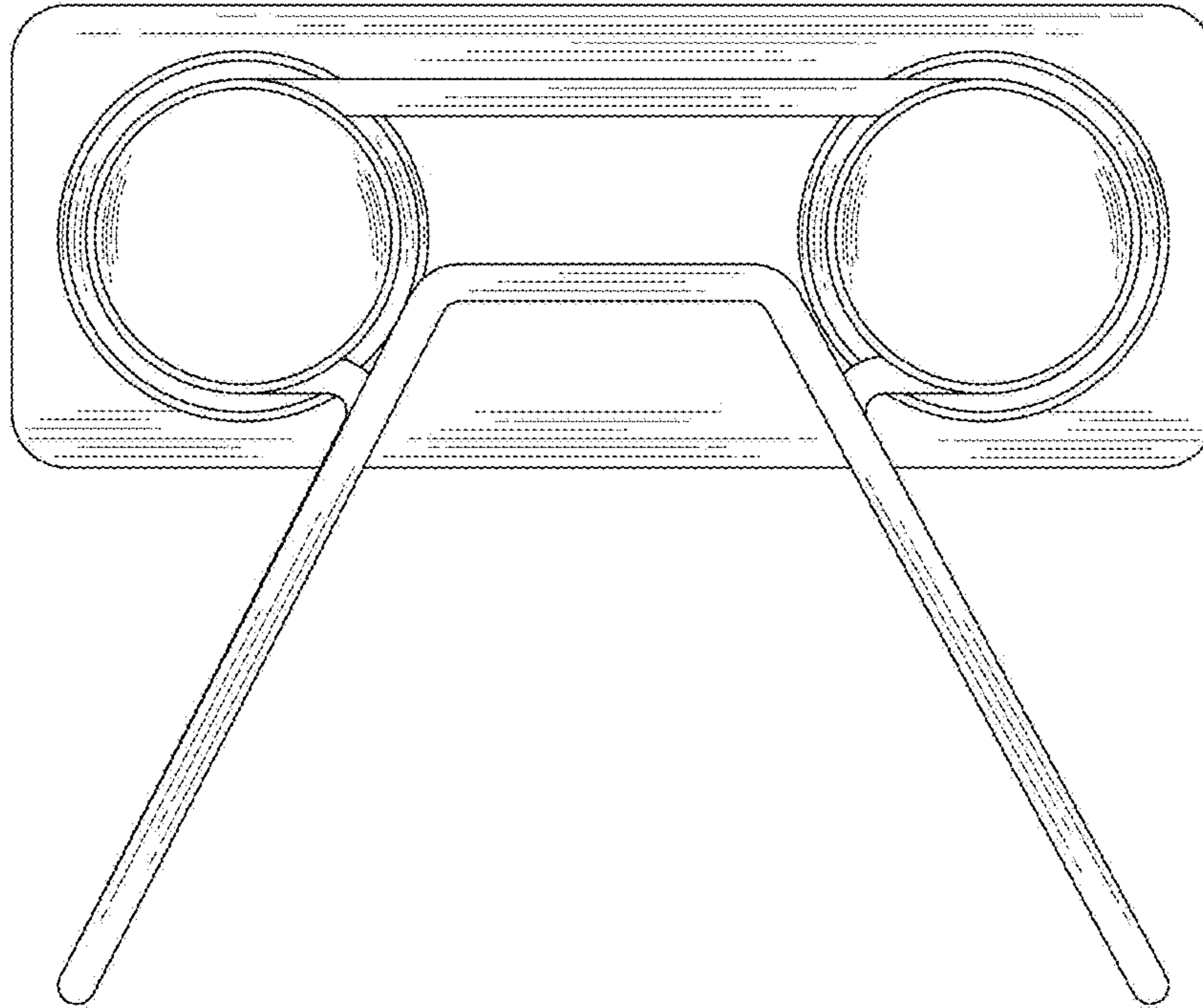


FIG. 3

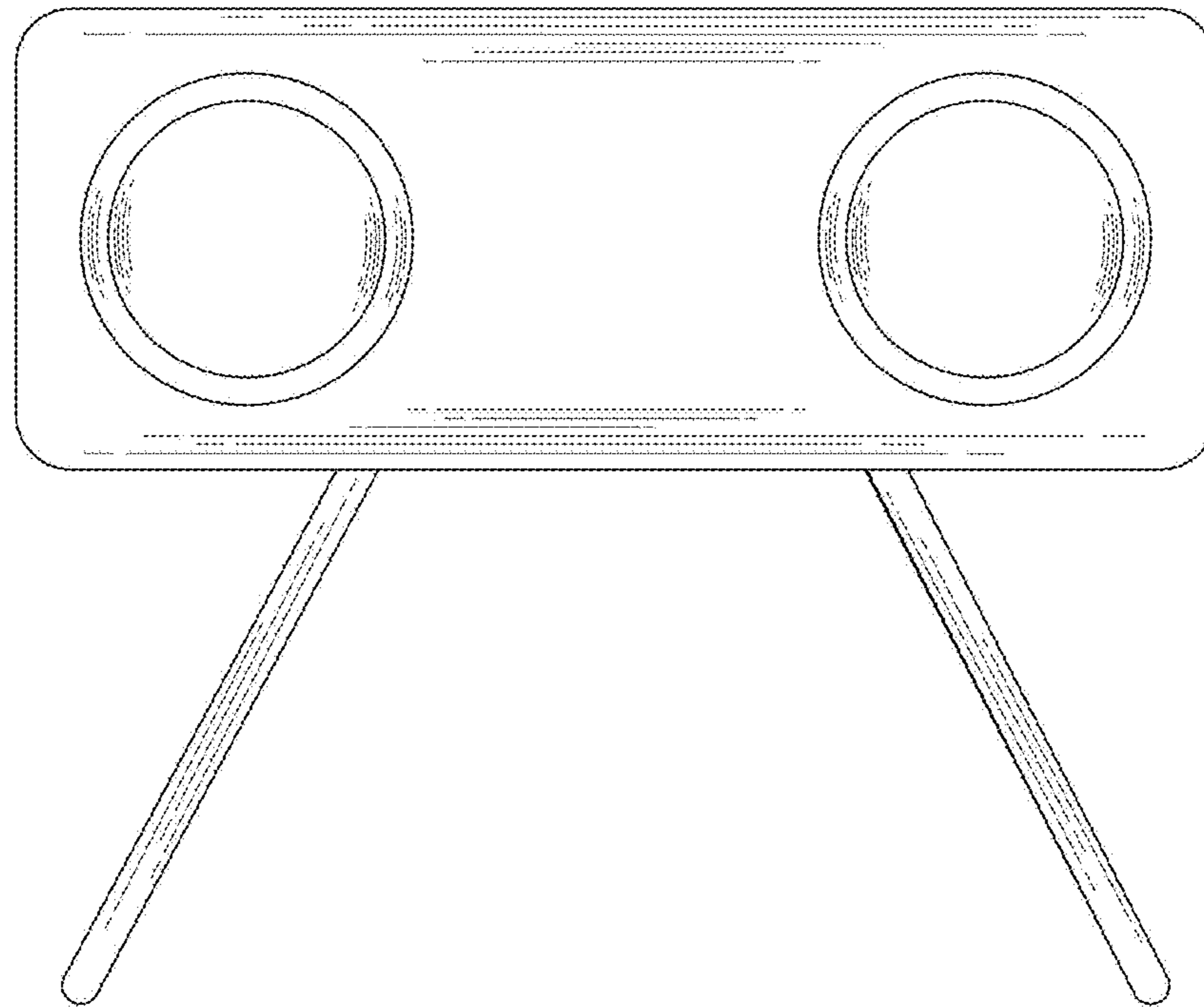


FIG. 4

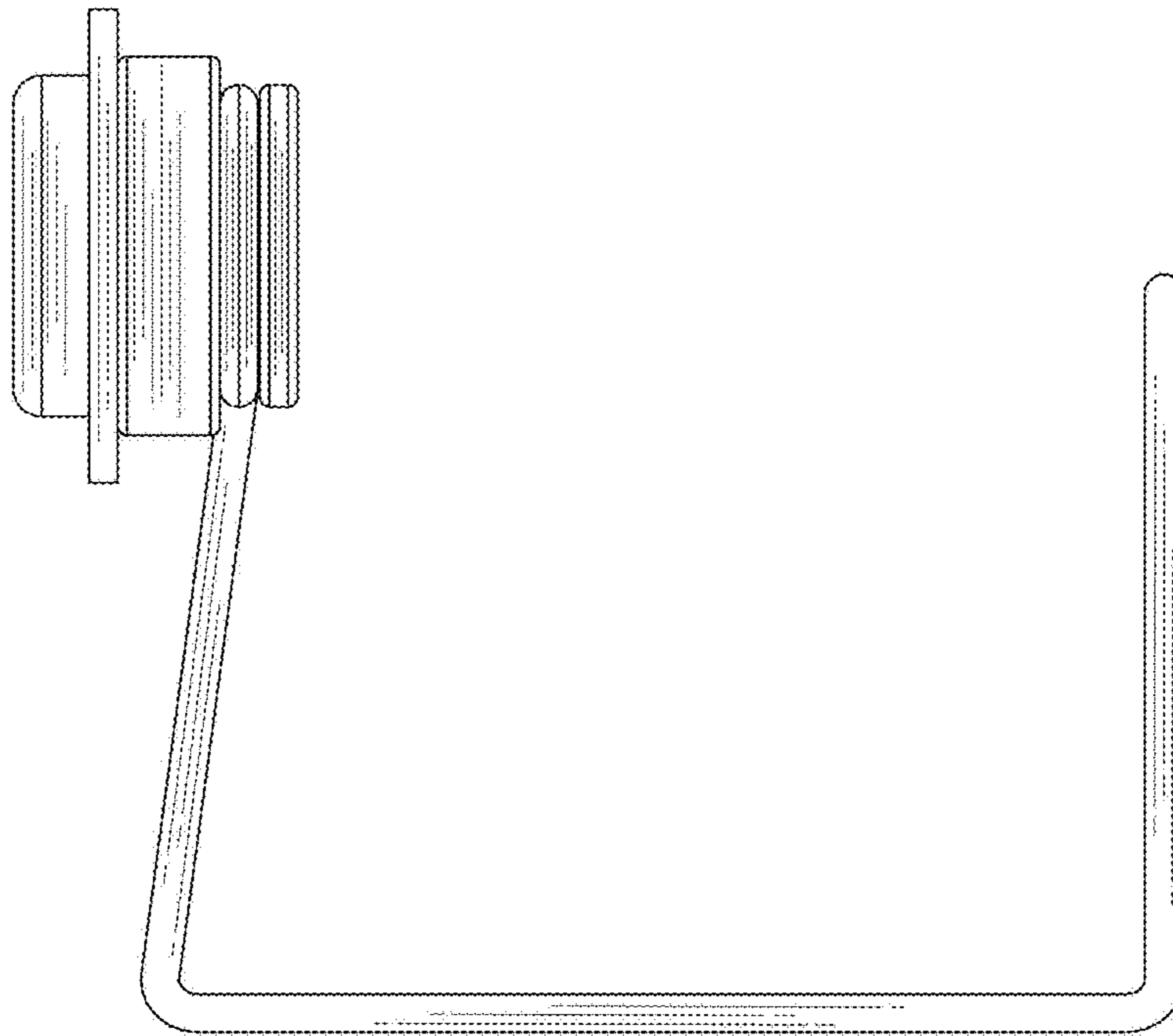


FIG. 5

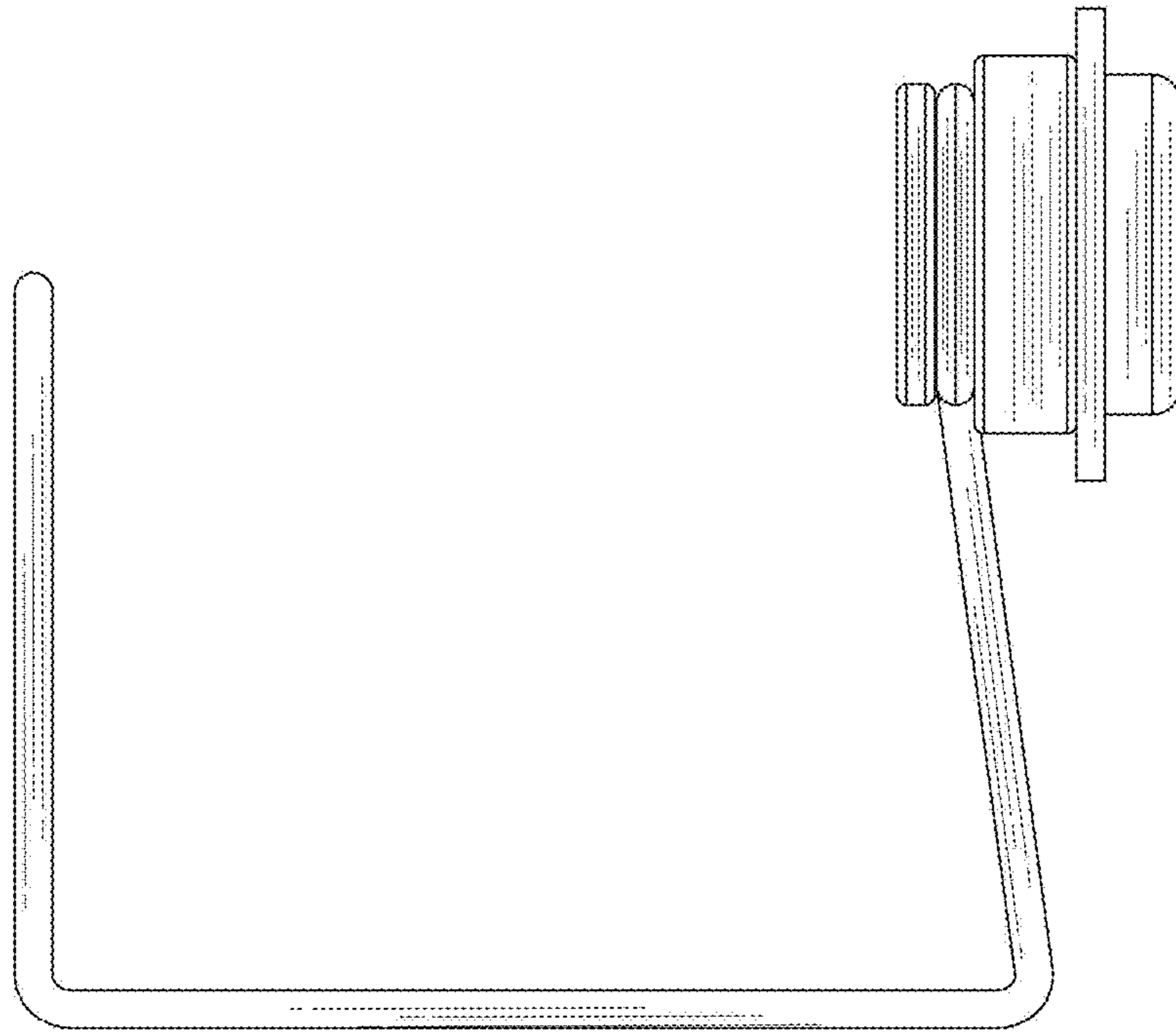


FIG. 6

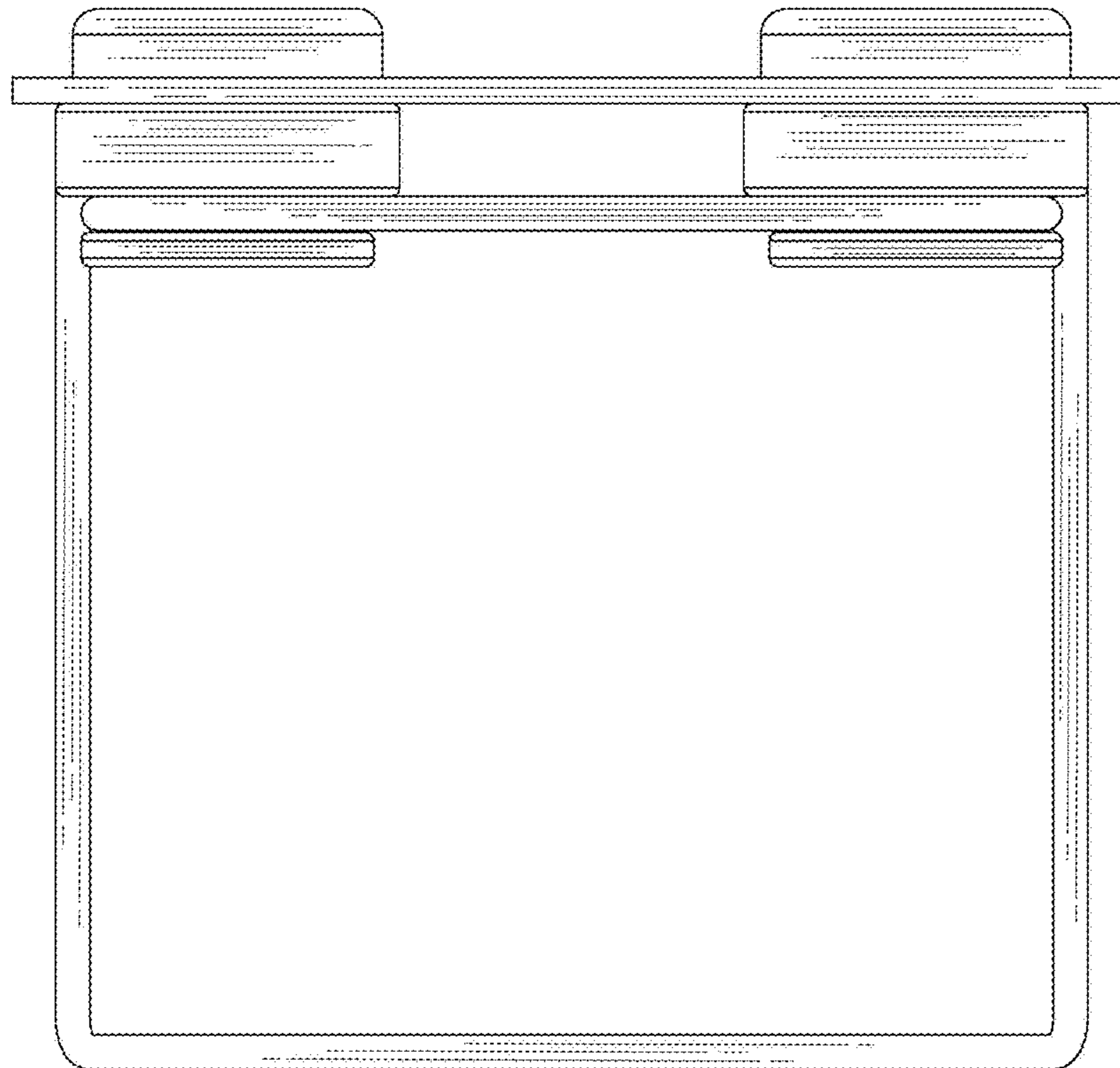


FIG. 7

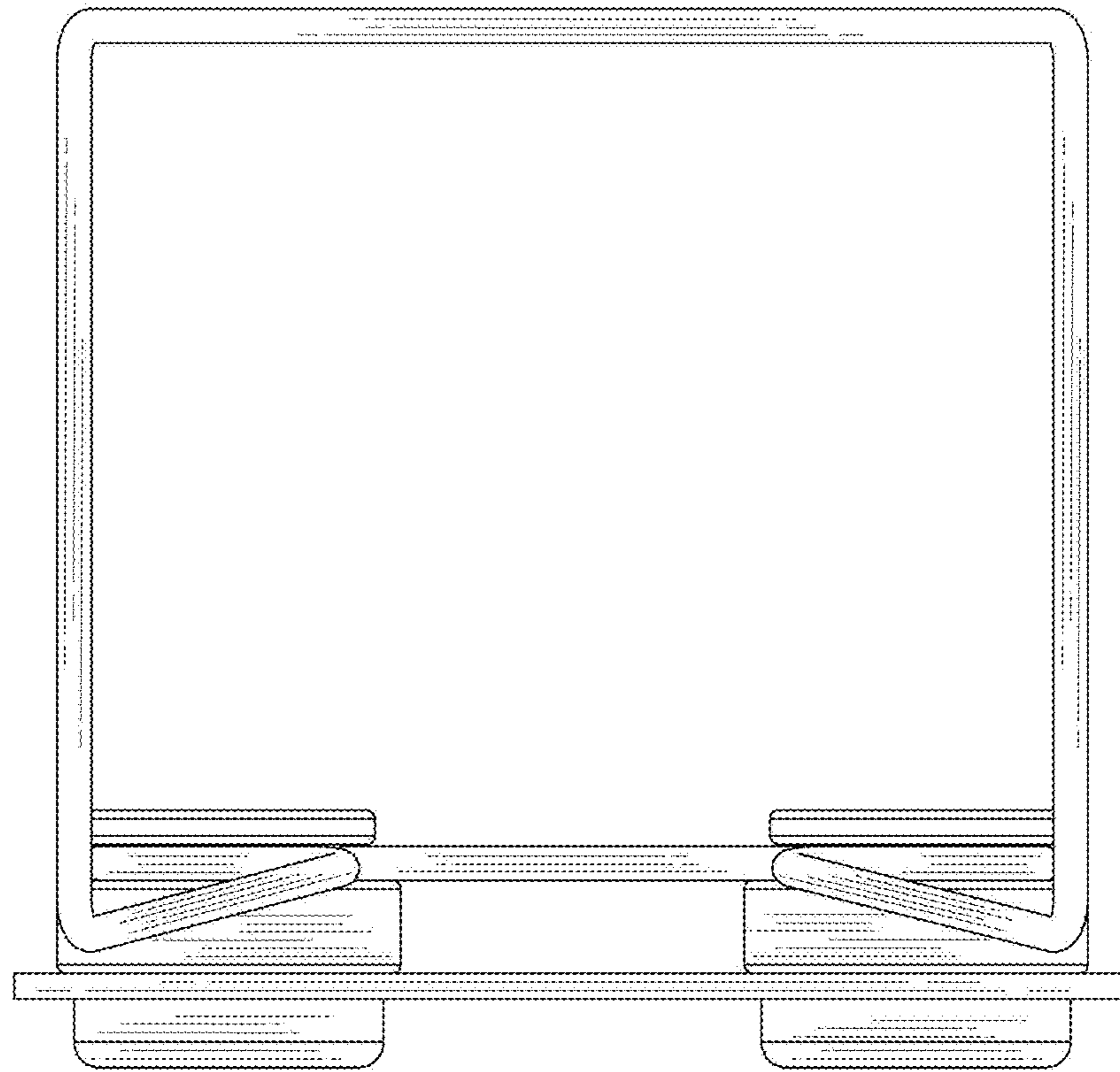


FIG. 8