



US00D985962S

(12) **United States Design Patent**
Hu

(10) **Patent No.:** **US D985,962 S**

(45) **Date of Patent:** **** May 16, 2023**

(54) **PAPER TOWEL HOLDER FOR COUNTERTOP**

(71) Applicant: **Pengliang Hu**, Luoyang (CN)

(72) Inventor: **Pengliang Hu**, Luoyang (CN)

(**) Term: **15 Years**

(21) Appl. No.: **29/860,194**

(22) Filed: **Nov. 17, 2022**

(30) **Foreign Application Priority Data**

Sep. 27, 2022 (CN) 202230639130.5

(51) **LOC (14) Cl.** **06-04**

(52) **U.S. Cl.**
USPC **D6/522**

(58) **Field of Classification Search**
USPC D6/512, 513, 515-522; D9/715, 721, D9/734
CPC A47K 10/3836; A47K 2010/3863; A47K 10/36; A47K 2010/3681; A47K 10/22; A47K 10/3809
See application file for complete search history.

(56) **References Cited**

U.S. PATENT DOCUMENTS

- D425,345 S * 5/2000 Ohm D6/518
- D432,828 S 10/2000 Snell
- D438,737 S 3/2001 Goodman
- D452,398 S 12/2001 Hollinger
- D459,929 S 7/2002 Snell
- D474,361 S 5/2003 Ancona
- D474,633 S 5/2003 Ancona
- D474,634 S 5/2003 Ancona

- D474,635 S 5/2003 Ancona
- D507,716 S 7/2005 Snow
- 7,438,256 B2 * 10/2008 Nip A47K 10/3836 242/599.4
- D883,707 S 5/2020 Klowan
- D965,337 S * 10/2022 Zhou D6/522
- 2003/0029961 A1 * 2/2003 Hollinger A47K 10/3836 242/597.7
- 2004/0124304 A1 * 7/2004 Kamenstein B65H 16/00 242/570
- 2011/0247191 A1 * 10/2011 Koziol A47K 10/22 29/428
- 2017/0319019 A1 * 11/2017 Simmons A47K 10/3836
- 2018/0325335 A1 * 11/2018 Holden A47K 10/3836
- 2020/0146518 A1 * 5/2020 Kamenstein A47K 10/3836

* cited by examiner

Primary Examiner — Lauren R Calve

(74) *Attorney, Agent, or Firm* — Rumit Ranjit Kanakia

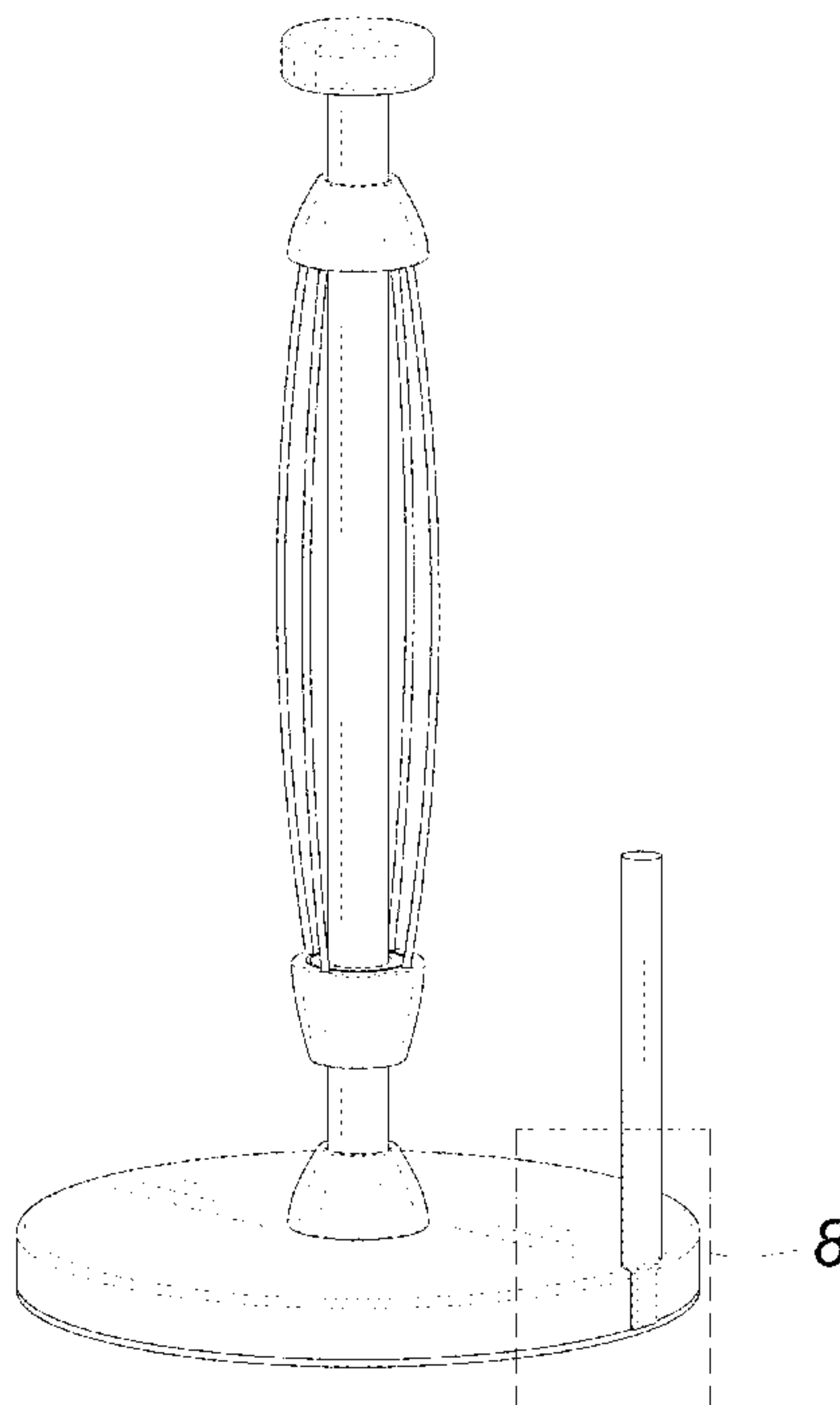
(57) **CLAIM**

The ornamental design for a paper towel holder for countertop, as shown and described.

DESCRIPTION

FIG. 1 is a front perspective view of a paper towel holder for countertop, showing my new design; FIG. 2 is rear perspective view thereof; FIG. 3 is a front elevational view thereof, the rear elevational view being a mirror image of FIG. 3; FIG. 4 is a left side view thereof; FIG. 5 is a right side view thereof; FIG. 6 is a top plan view thereof; FIG. 7 is a bottom plan view thereof; and, FIG. 8 is a partial enlarged view according to the broken square shown in FIG. 1.

1 Claim, 8 Drawing Sheets



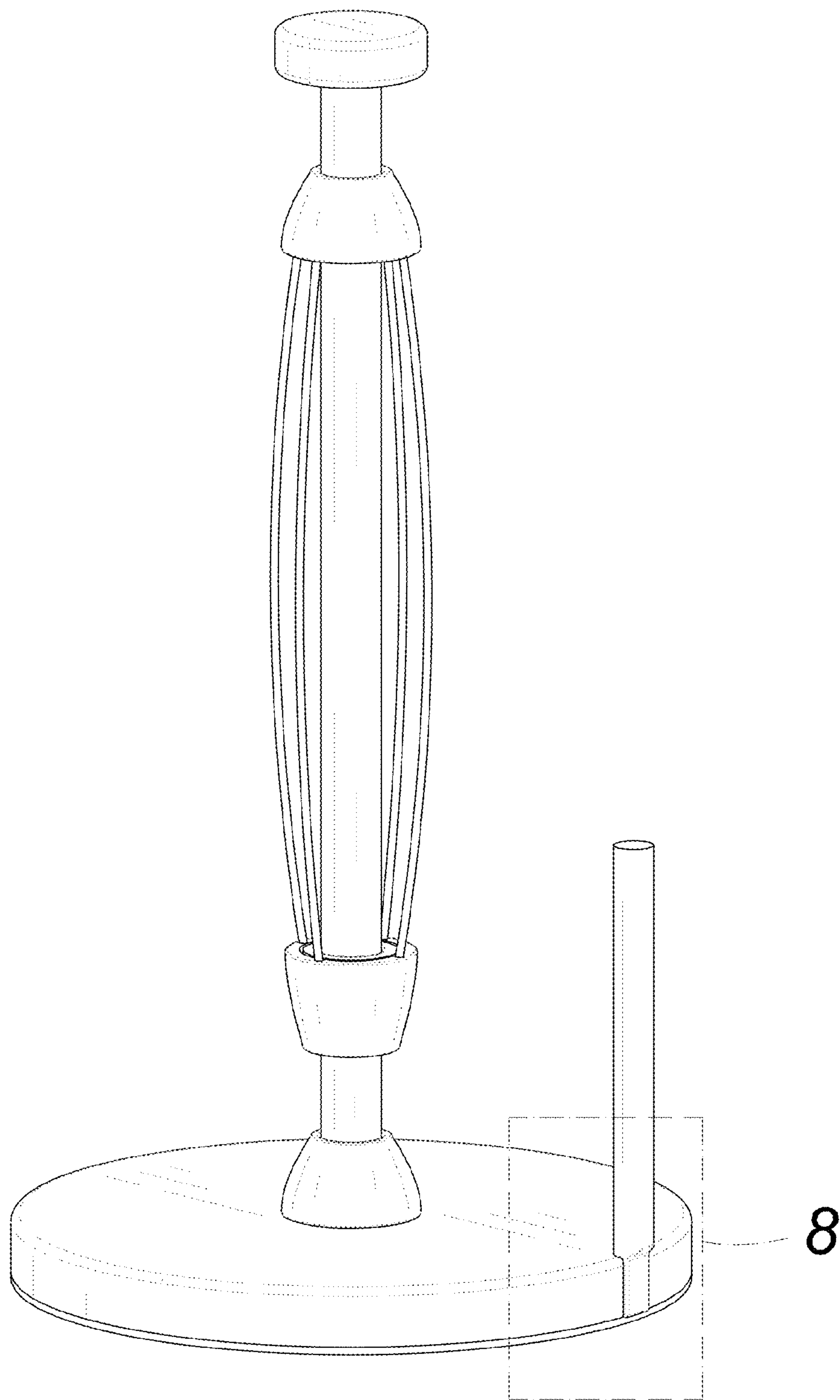


FIG. 1

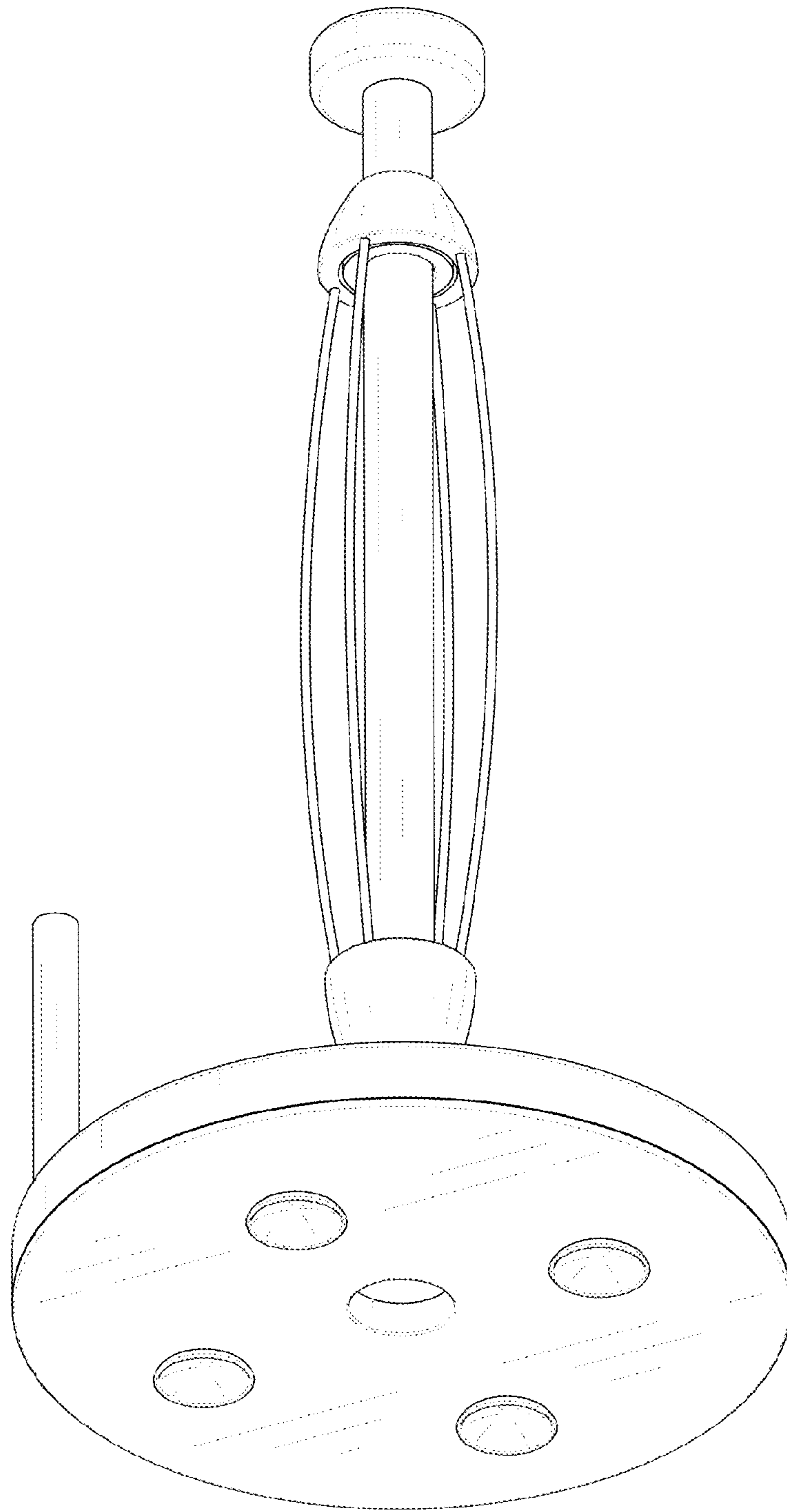


FIG. 2

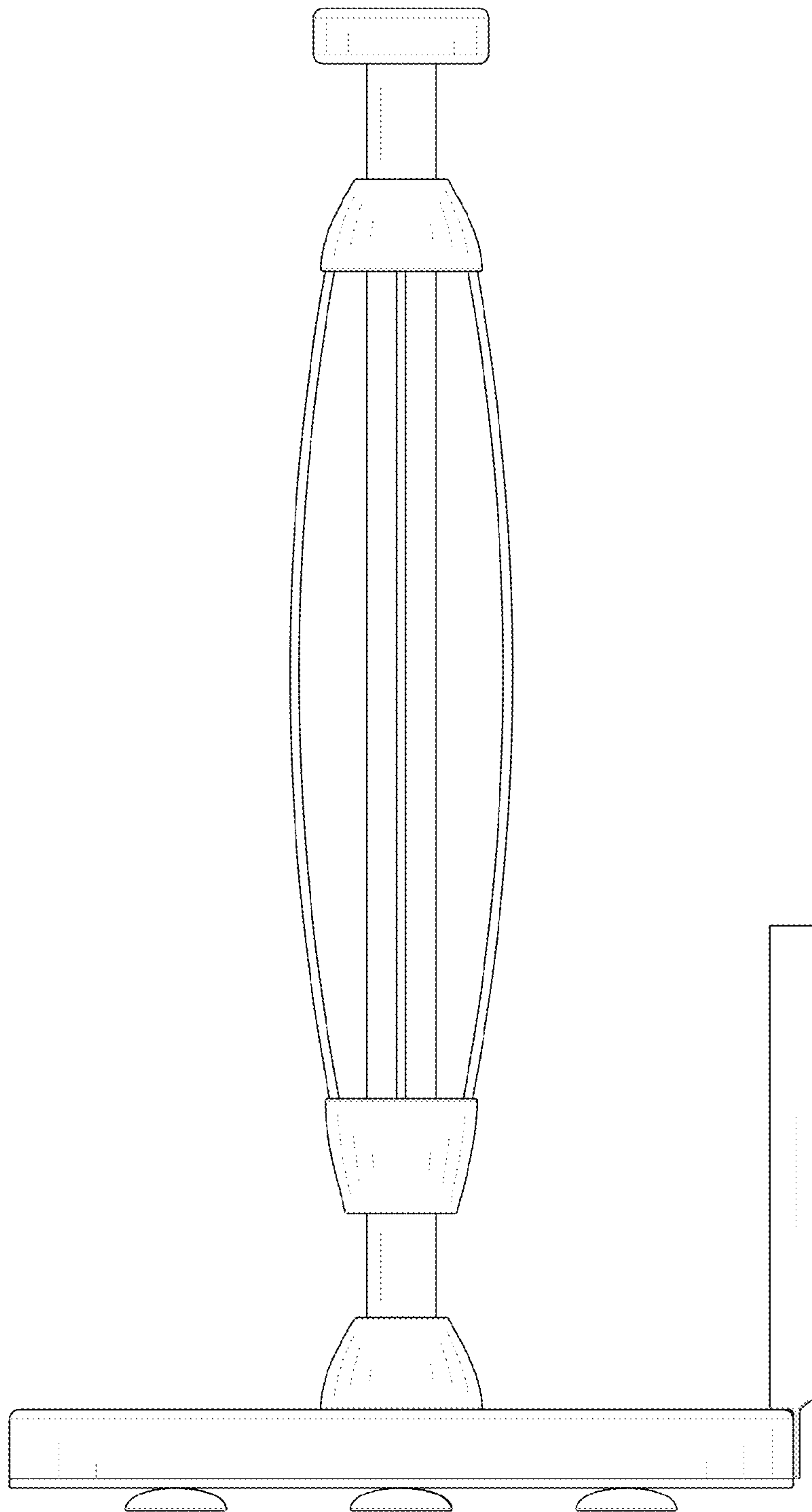


FIG. 3

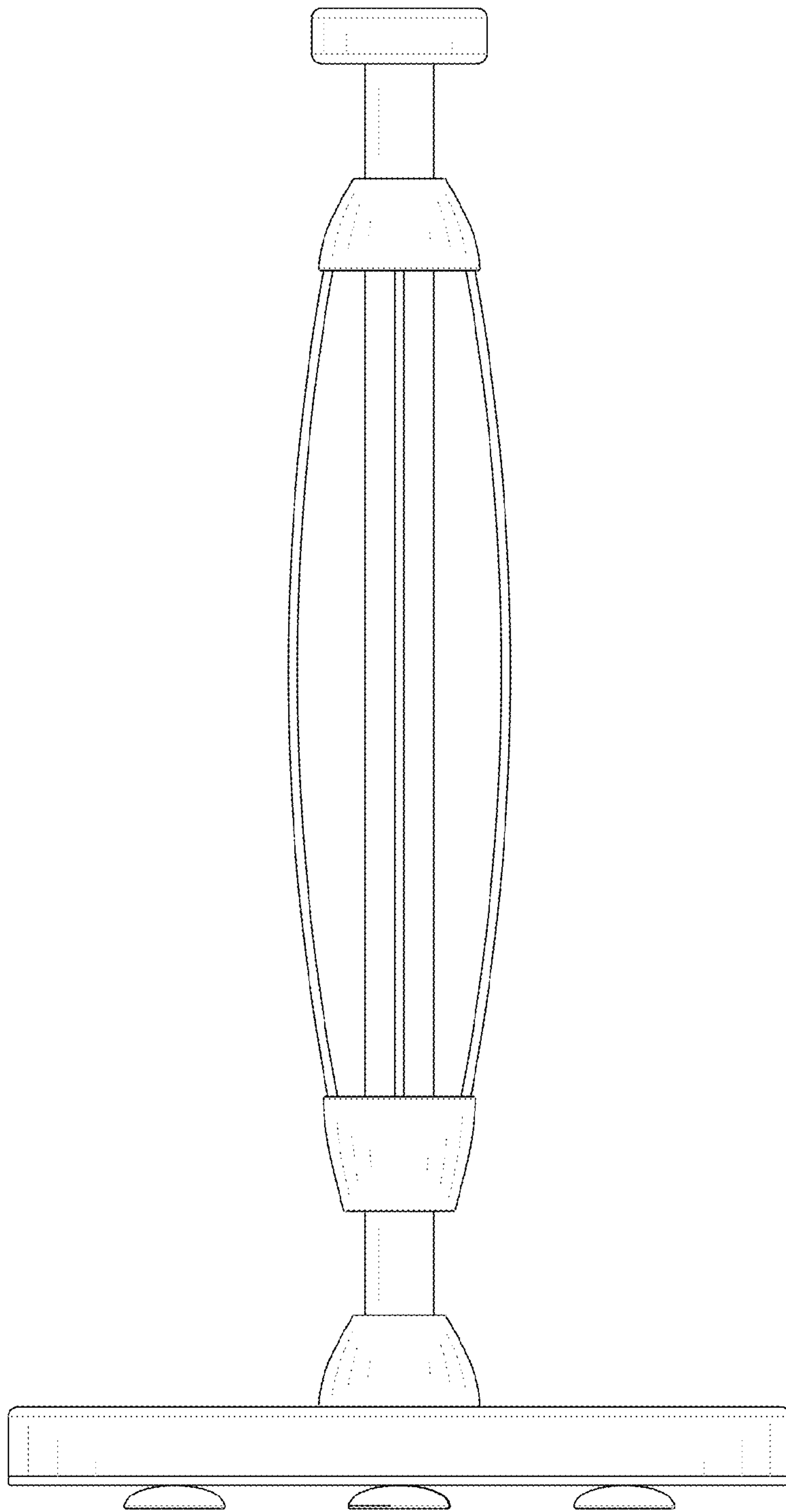


FIG. 4

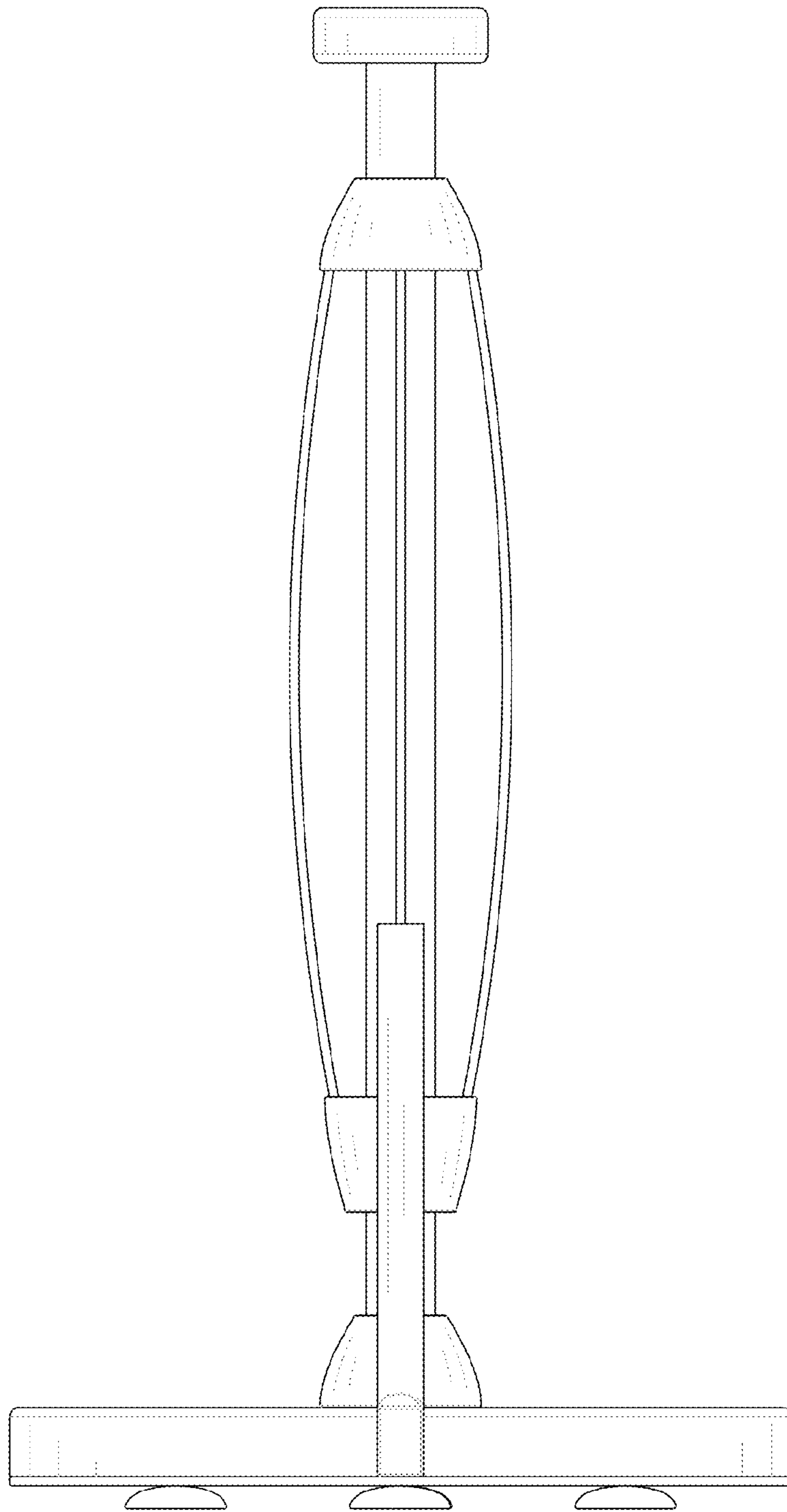


FIG. 5

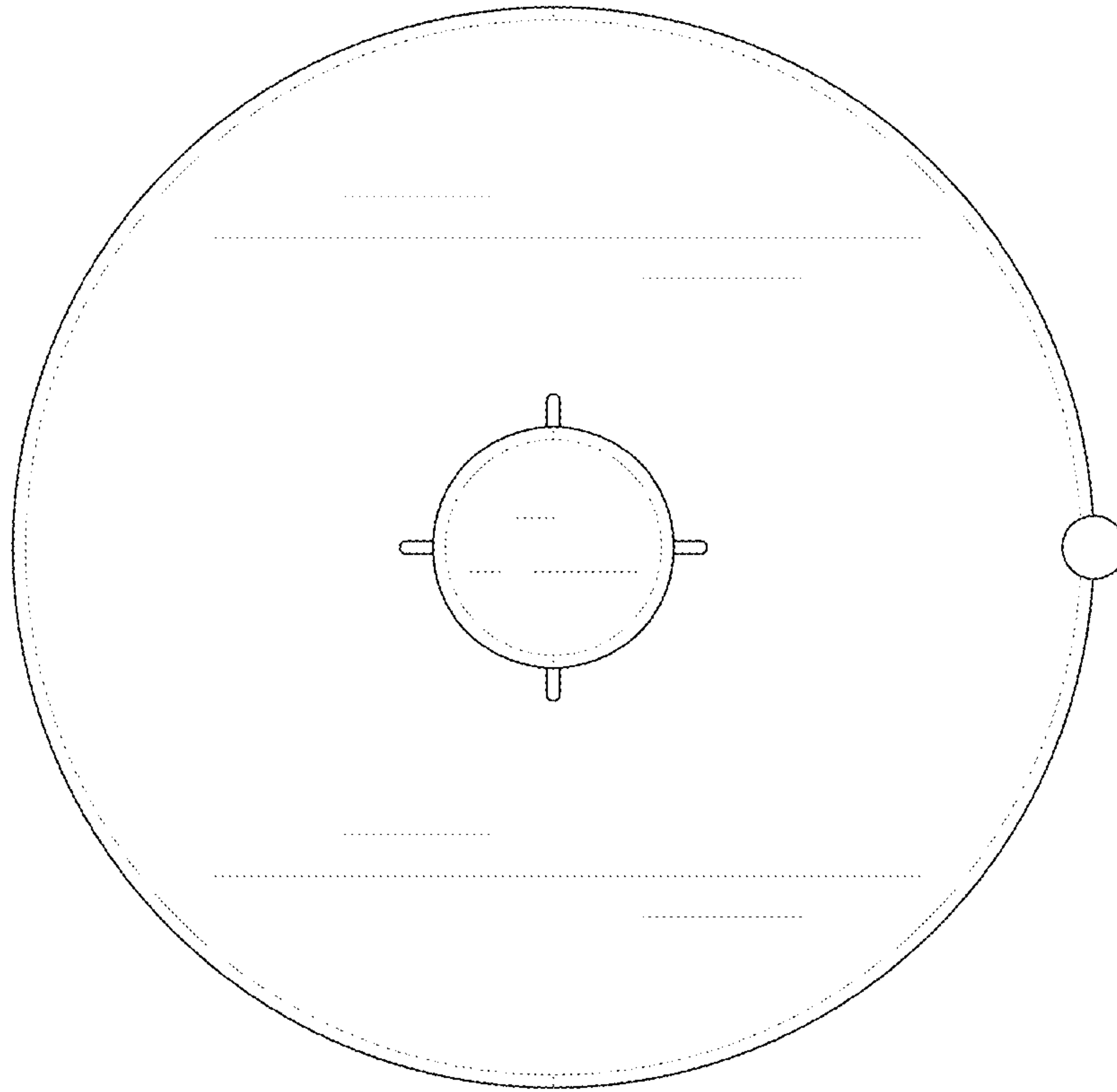


FIG. 6

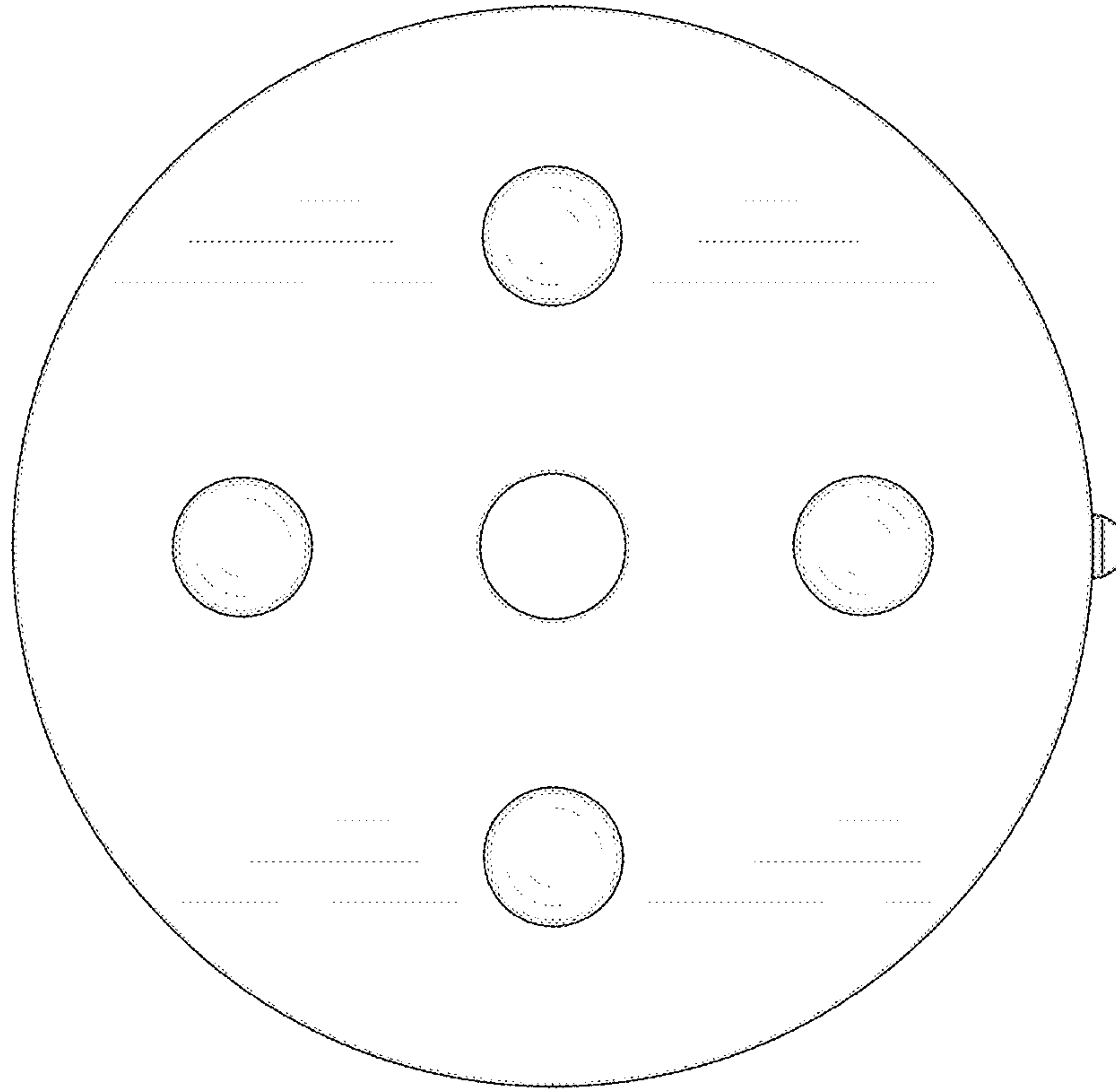


FIG. 7

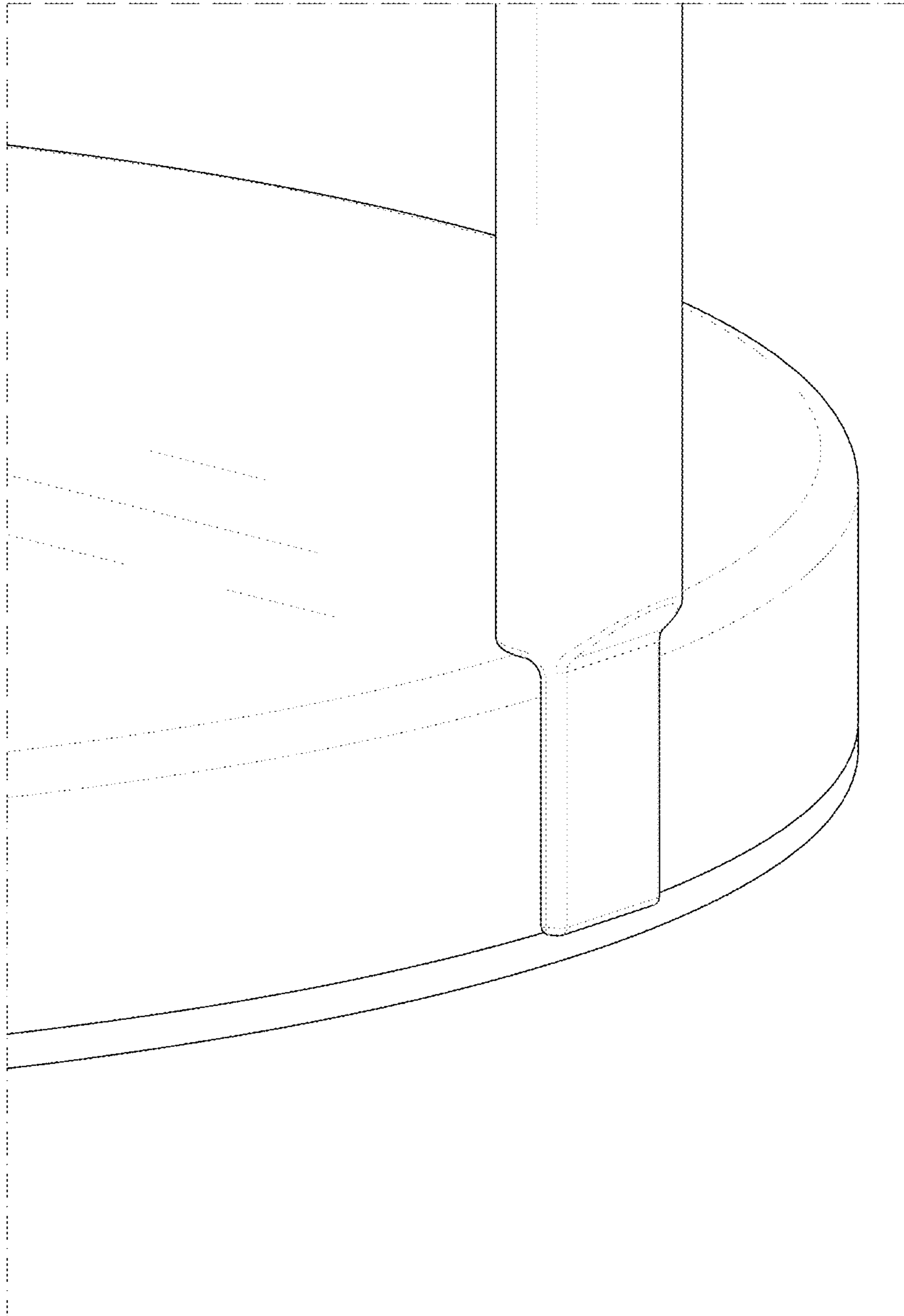


FIG. 8