



US00D985961S

(12) **United States Design Patent** (10) **Patent No.:** **US D985,961 S**
Lei (45) **Date of Patent:** **** May 16, 2023**

(54) **STORAGE BOX**

(71) Applicant: **Shenzhen Aitemi Electronic Commerce Co., LTD, Shenzhen (CN)**

(72) Inventor: **Rita Lei, Shenzhen (CN)**

(73) Assignee: **Shenzhen Aitemi Electronic Commerce Co., LTD, Shenzhen (CN)**

(**) Term: **15 Years**

(21) Appl. No.: **29/823,069**

(22) Filed: **Jan. 13, 2022**

(51) **LOC (14) Cl.** **06-04**

(52) **U.S. Cl.**
USPC **D6/515**

(58) **Field of Classification Search**
USPC D6/515, 512, 516, 517, 518, 519-552, D6/553; D3/201, 304, 315; D7/601, D7/602, 631; D9/414, 424, 430, 431, D9/432, 447, 499, 730, 734; D19/67, D19/134; D10/74, 103, 122
CPC A47K 10/40; A47K 10/3836; A47K 10/16; A47K 2010/3266; A47K 10/42; A47K 10/426; A47F 13/08; B66D 1/7442; B65D 85/00; B65D 81/00; B65D 81/22; B65D 83/0805; G07F 11/00

See application file for complete search history.

(56) **References Cited**

U.S. PATENT DOCUMENTS

D608,122 S * 1/2010 Horn D6/515
D670,517 S * 11/2012 Murphy D6/515
D681,378 S * 5/2013 Murphy D6/515

D681,986 S * 5/2013 Murphy D6/515
D683,986 S * 6/2013 Murphy D6/515
D686,843 S * 7/2013 Murphy D6/515
D886,487 S * 6/2020 Sukyas D6/518
D935,774 S 11/2021 Liu

OTHER PUBLICATIONS

Amazon.com, NPPLUS Aiplock Bag Storage Organizer, Sep. 16, 2021, [https://www.amazon.com/NPPLUS-Organizer-Dispenser-Sandwich-Compatible/dp/B09GFK97DD/\(Year:2021\).](https://www.amazon.com/NPPLUS-Organizer-Dispenser-Sandwich-Compatible/dp/B09GFK97DD/(Year:2021).)*

* cited by examiner

Primary Examiner — Nathan M Johnston

(74) *Attorney, Agent, or Firm* — ScienBiziP, P.C.

(57) **CLAIM**

The ornamental design for a storage box, as shown and described.

DESCRIPTION

FIG. 1 is a front, left and top perspective view of a storage box, showing my design.

FIG. 2 is a front, left, and bottom perspective view the storage box in FIG. 1.

FIG. 3 is a front view of the storage box in FIG. 1.

FIG. 4 is a rear view of the storage box in FIG. 1.

FIG. 5 is a left side view of the storage box in FIG. 1.

FIG. 6 is a right side view of the storage box in FIG. 1.

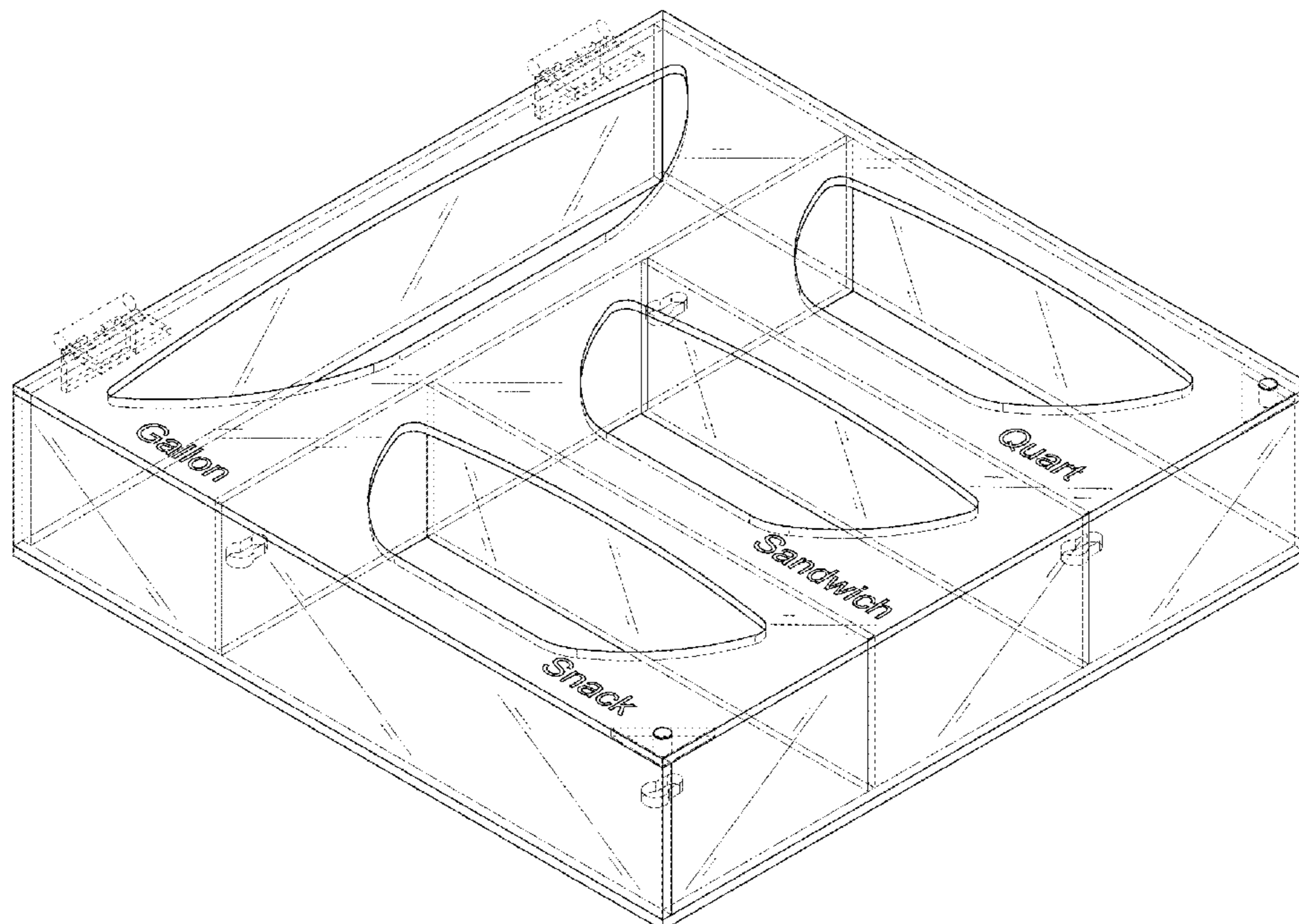
FIG. 7 is a top view of the storage box in FIG. 1.

FIG. 8 is a bottom view of the storage box in FIG. 1; and,

FIG. 9 is another front, left, and top perspective view of the storage box in FIG. 1 in an open state.

The broken lines show portions of the storage box that form no part of the claimed design.

1 Claim, 9 Drawing Sheets



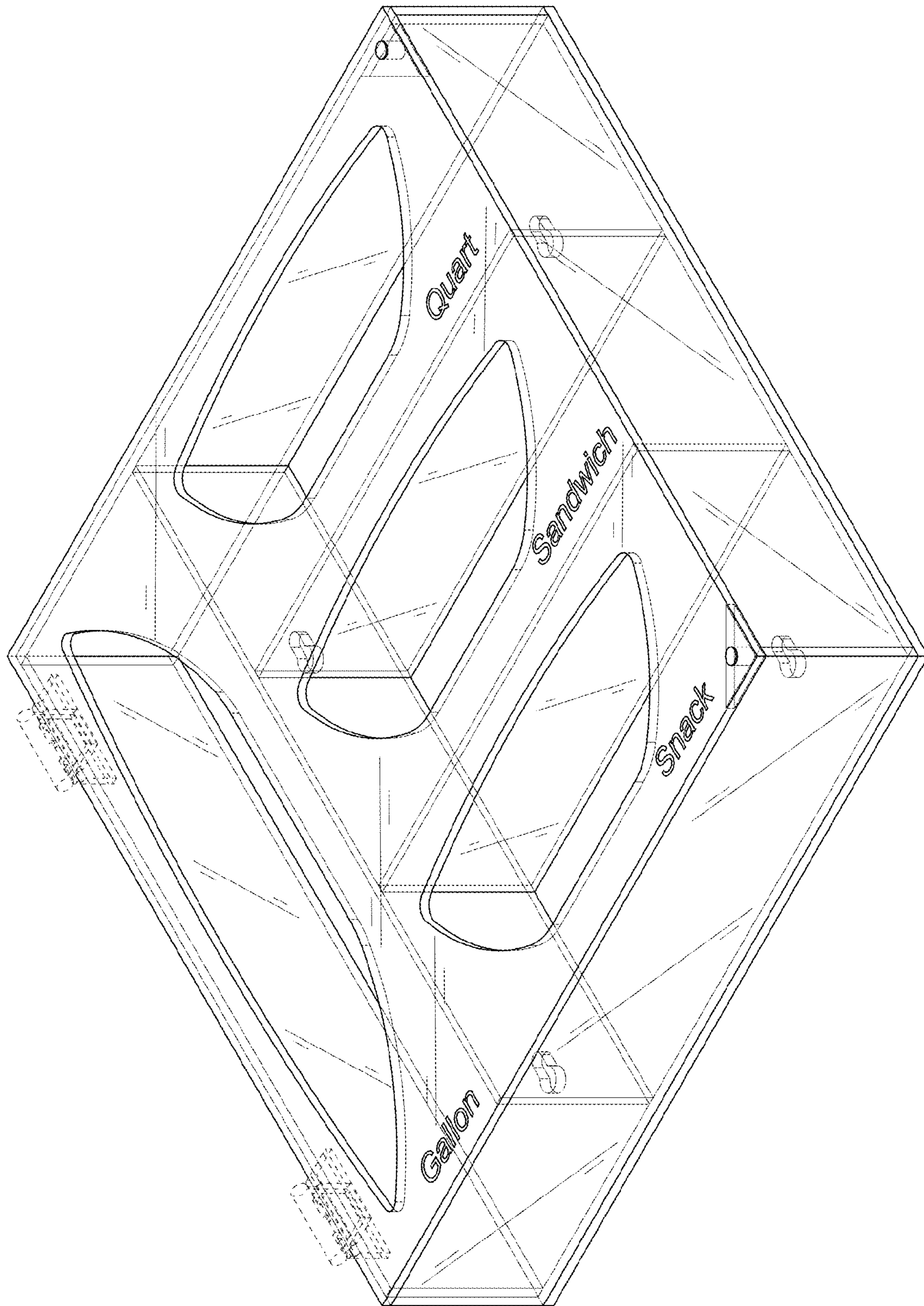


FIG. 1

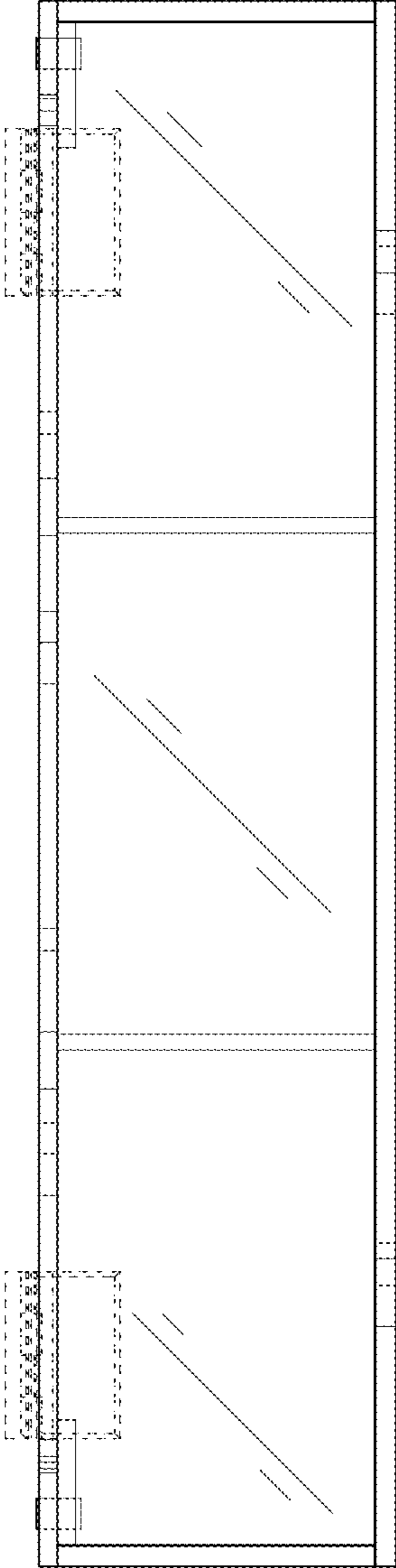


FIG. 3

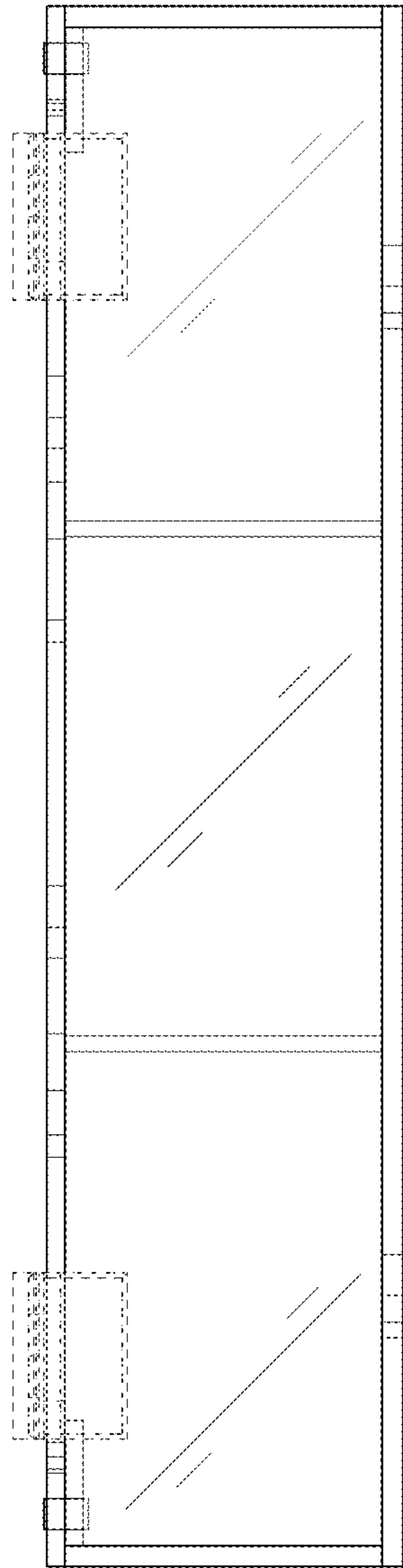


FIG. 4

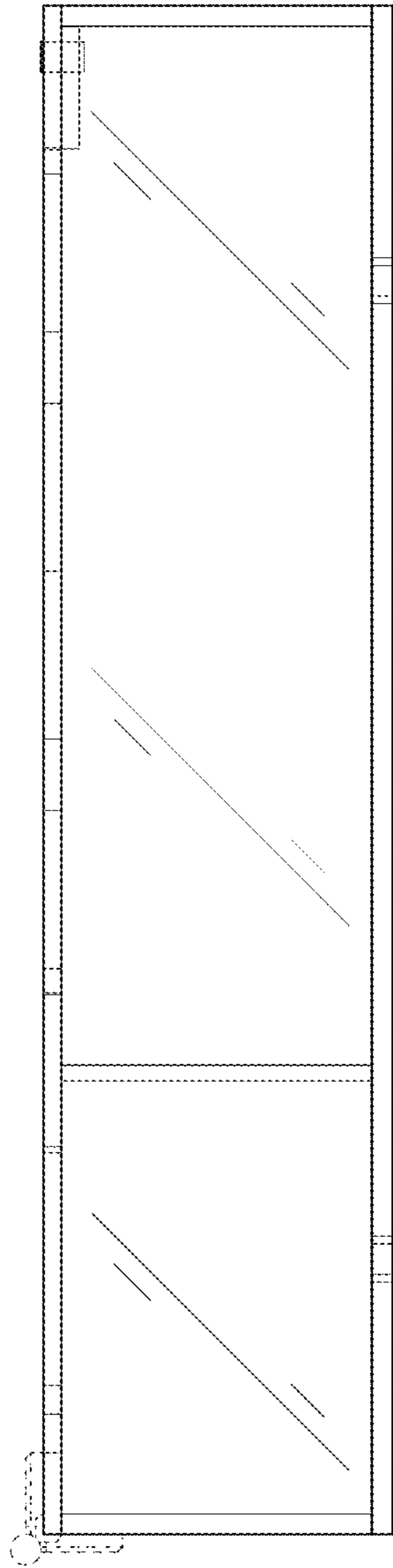


FIG. 5

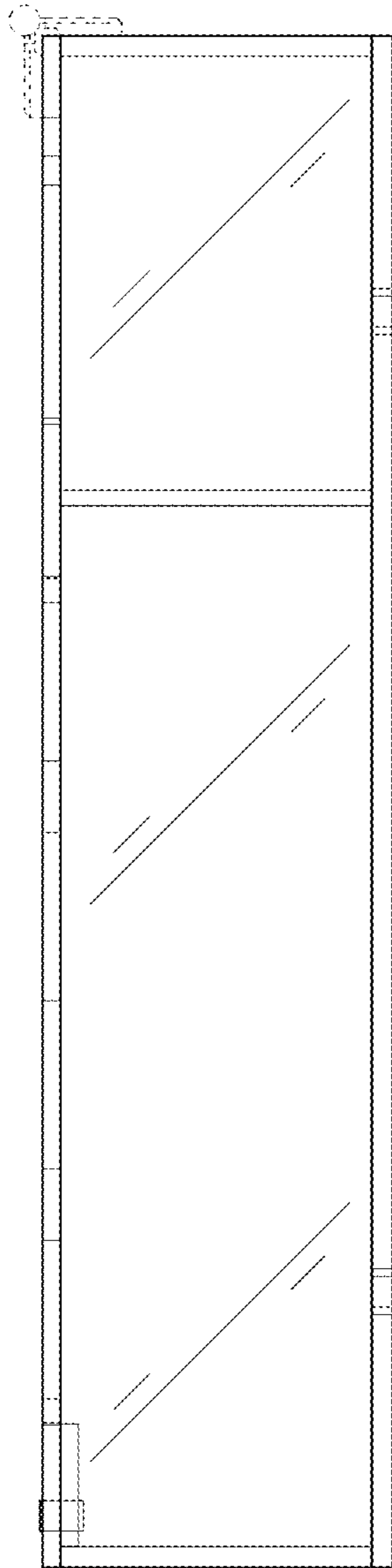


FIG. 6

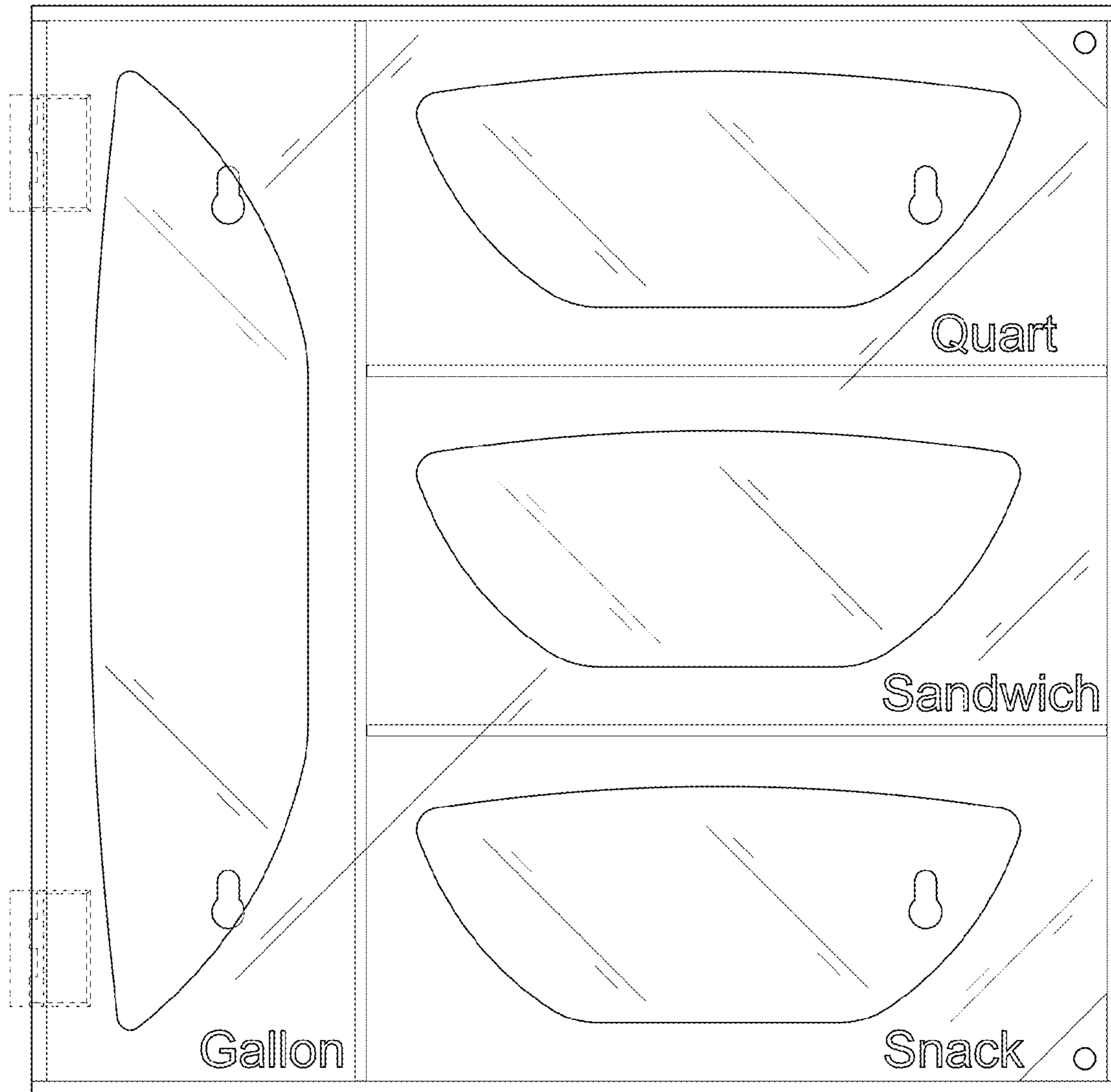


FIG. 7

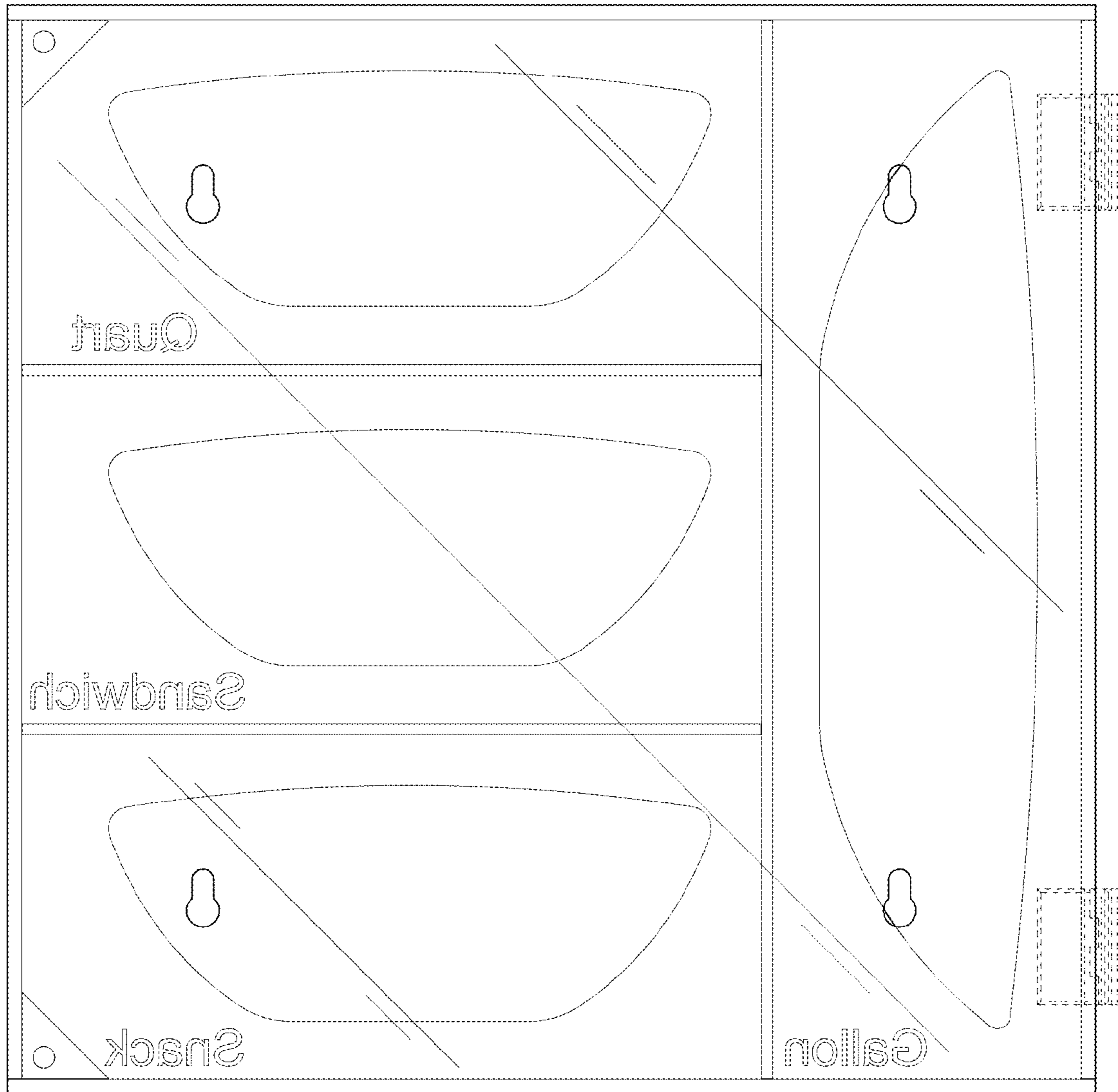


FIG. 8

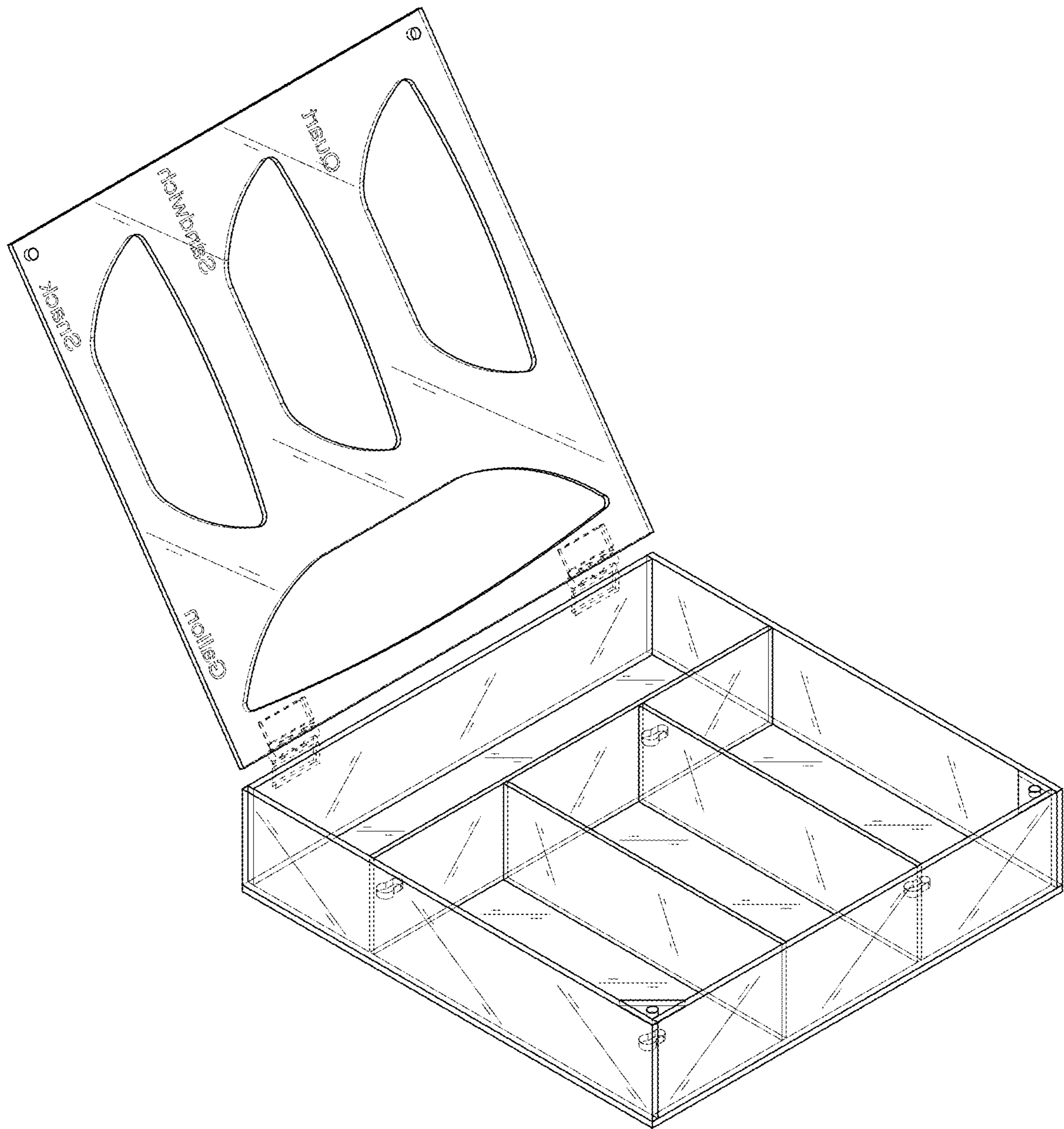


FIG. 9