



US00D985957S

(12) **United States Design Patent** (10) **Patent No.:** **US D985,957 S**
Andersen (45) **Date of Patent:** **** May 16, 2023**

(54) **SOFA**
(71) Applicant: **Innovation U.S.A., Inc.**, Mission Viejo, CA (US)
(72) Inventor: **Per Weiss Andersen**, Randers (DK)
(73) Assignee: **Innovation U.S.A., Inc.**, Mission Viejo, CA (US)
(**) Term: **15 Years**
(21) Appl. No.: **29/808,856**
(22) Filed: **Sep. 23, 2021**

D933,375 S * 10/2021 Natuzzi D6/334
D959,163 S * 8/2022 Fredriksson D6/381
D965,334 S * 10/2022 Czaja D6/381
D967,642 S * 10/2022 Beamer D6/381

FOREIGN PATENT DOCUMENTS

CN 306741951 * 8/2021

OTHER PUBLICATIONS

Malloy Sofa Bed [online], [site visited Jan. 12, 2023]. Available from internet, URL: <<https://www.innovationliving.us/products/by-type/sofa-beds/product-details/malloy-sofa-bed?fabric=579-Kenya-Gravel>> (Year: 2023).*

* cited by examiner

Primary Examiner — Cynthia Ramirez
Assistant Examiner — Xavier Marti-Santos
(74) *Attorney, Agent, or Firm* — Miles & Stockbridge P.C.; David R. Schaffer

(30) **Foreign Application Priority Data**

Mar. 26, 2021 (EM) 008475628-0001

(51) **LOC (14) Cl.** **06-01**

(52) **U.S. Cl.**
USPC **D6/381**

(58) **Field of Classification Search**
USPC D6/334-336, 369, 371, 373, 374, 375,
D6/379, 381, 716, 716.1, 716.2, 716.3,
D6/716.4

CPC A47C 4/028; A47C 5/04; A47C 7/021;
A47C 7/16; A47C 7/18; A47C 7/24;
A47C 11/00

See application file for complete search history.

(57) **CLAIM**

The ornamental design for a sofa, as shown and described.

DESCRIPTION

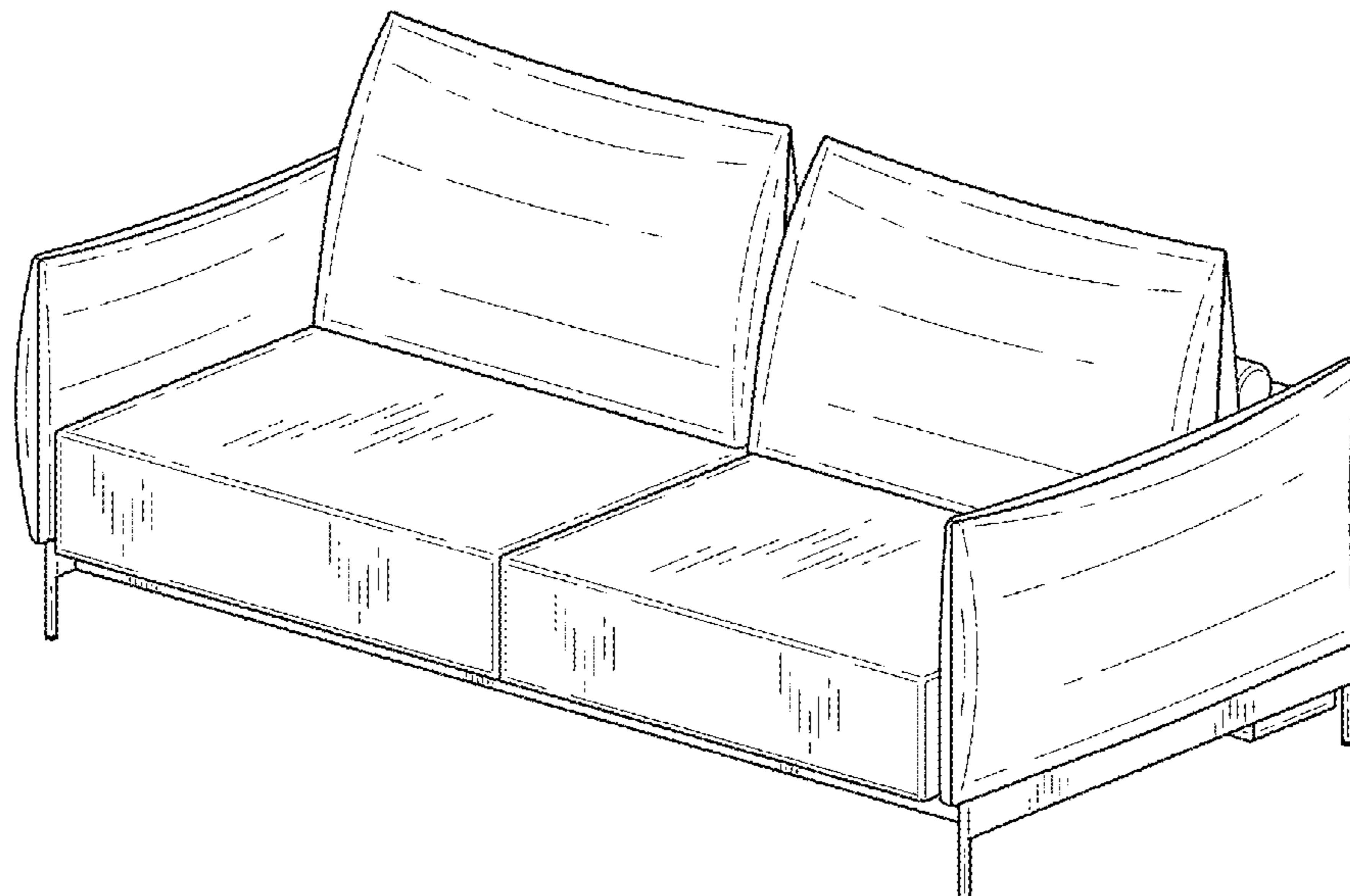
FIG. 1 is a front elevational view of a sofa showing my new design;
FIG. 2 is a rear elevational view thereof;
FIG. 3 is a right elevational view thereof, with a left elevational view (not shown) being a mirror image;
FIG. 4 is a top plan view thereof;
FIG. 5 is a left front perspective view thereof;
FIG. 6 is a right rear perspective view thereof; and,
FIG. 7 is a right front perspective, exploded view, shown in the reclined position thereof.
The broken lines in the figures are for the purpose of illustrating portions of the sofa, which form no part of the claimed design.

(56) **References Cited**

U.S. PATENT DOCUMENTS

D356,448 S * 3/1995 Kashima D6/381
D446,961 S * 8/2001 Natuzzi D6/381
D590,165 S * 4/2009 Natuzzi D6/381
D675,844 S * 2/2013 Cramer D6/381
D882,283 S * 4/2020 Barber D6/381
D885,782 S * 6/2020 Gam D6/381
D889,877 S * 7/2020 Hale D6/381
D899,795 S * 10/2020 Hale D6/334

1 Claim, 4 Drawing Sheets



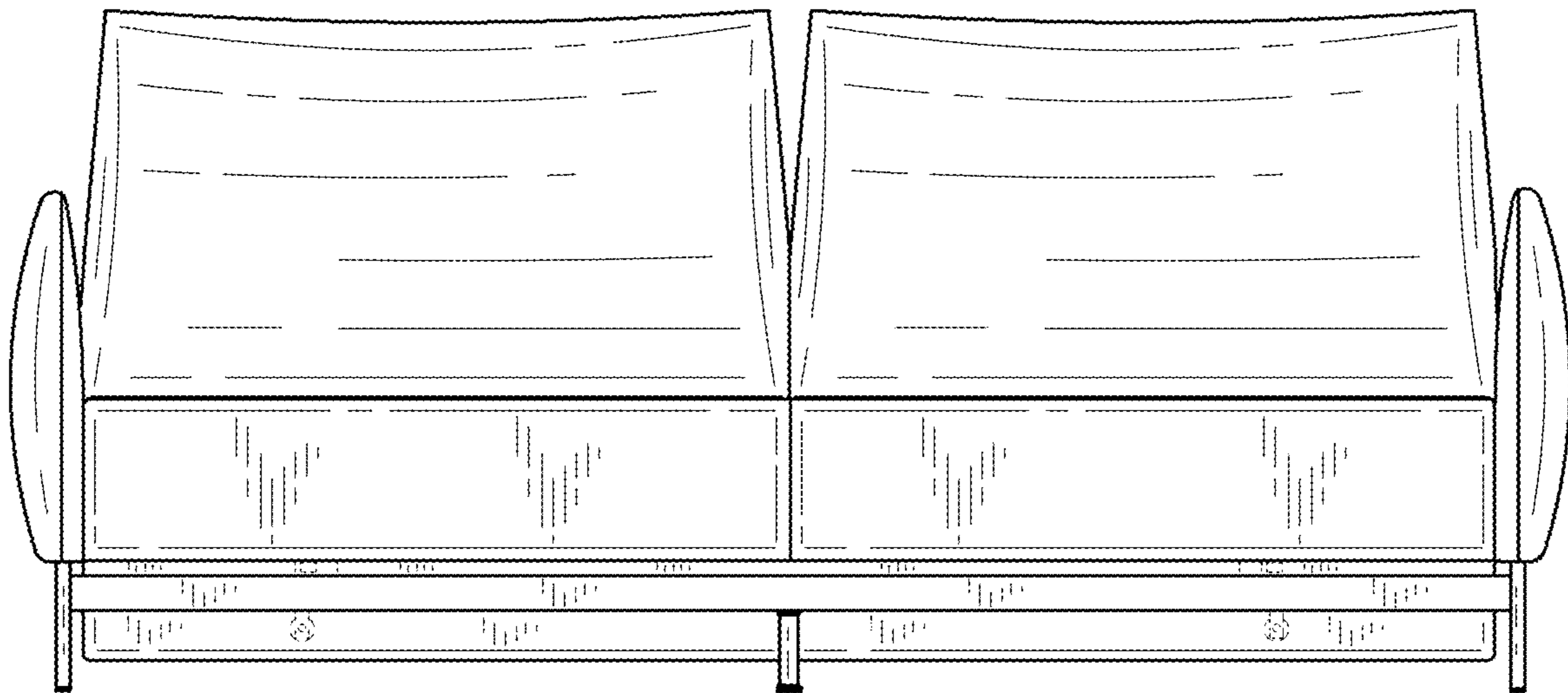


FIG. 1

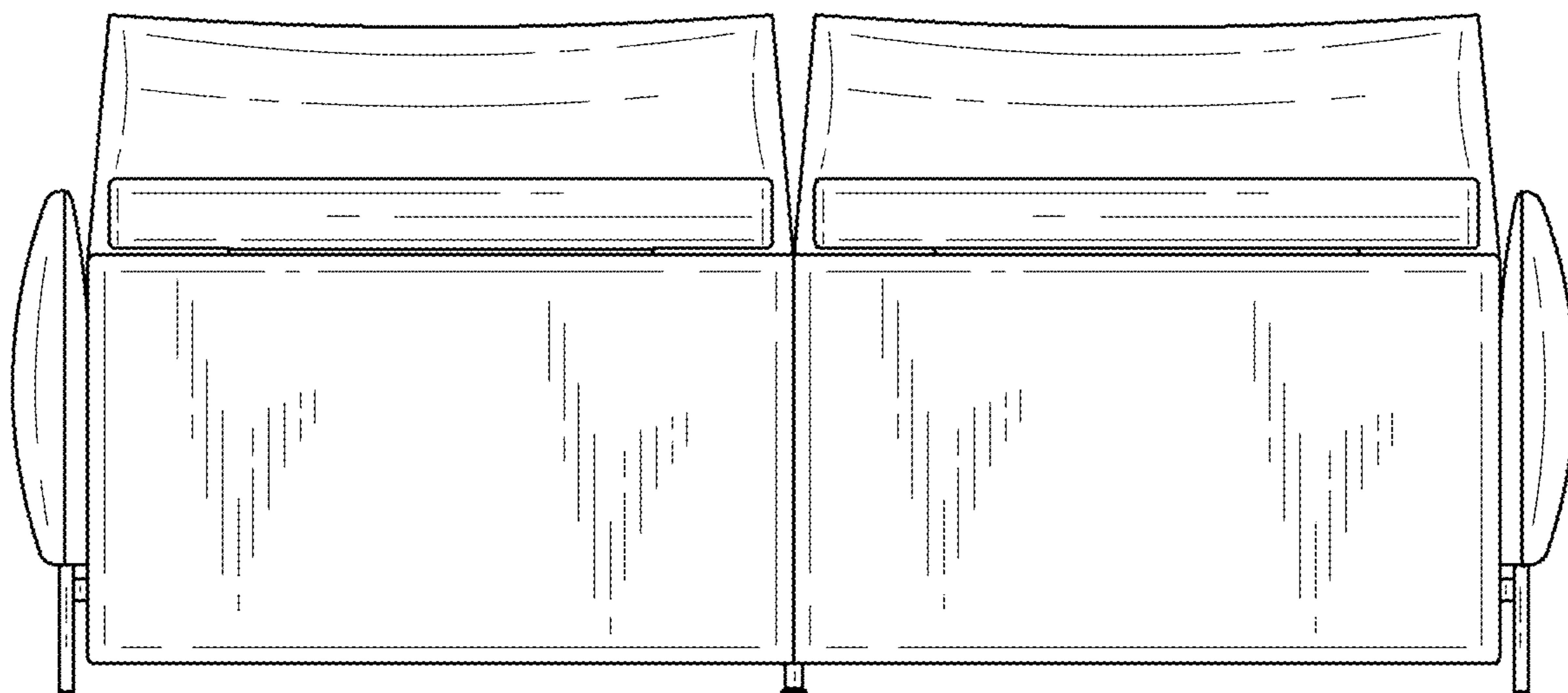


FIG. 2

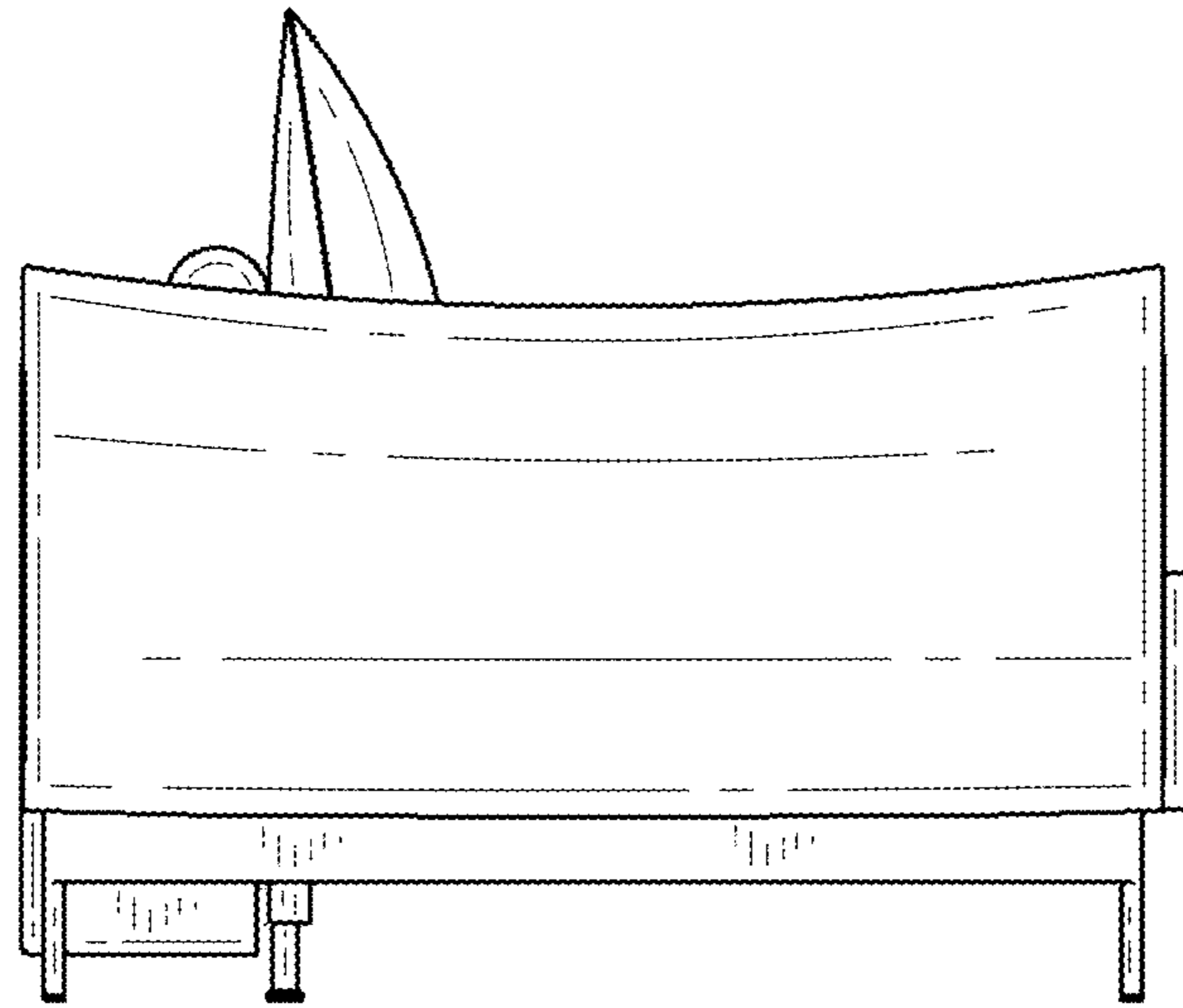


FIG. 3

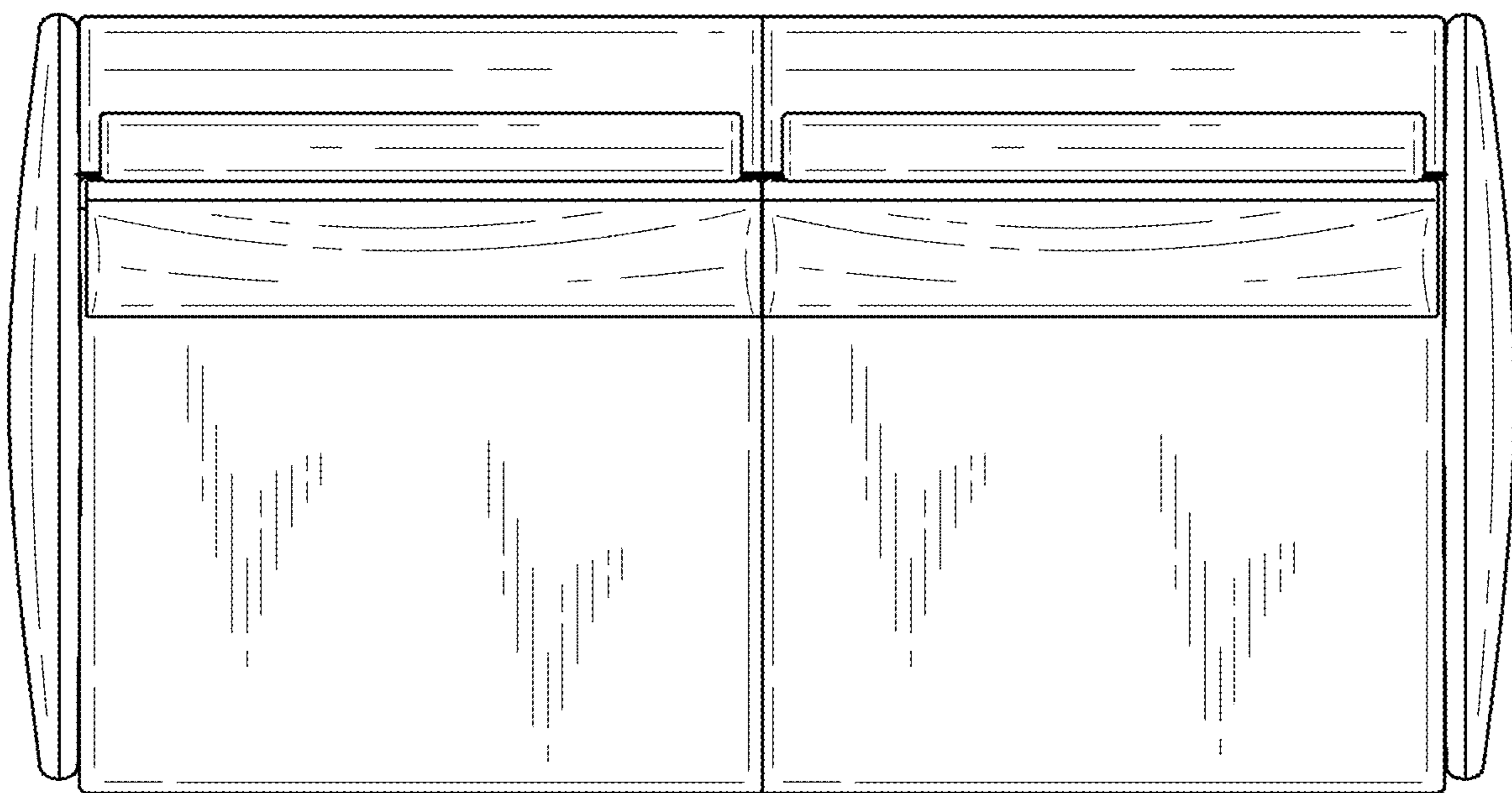


FIG. 4

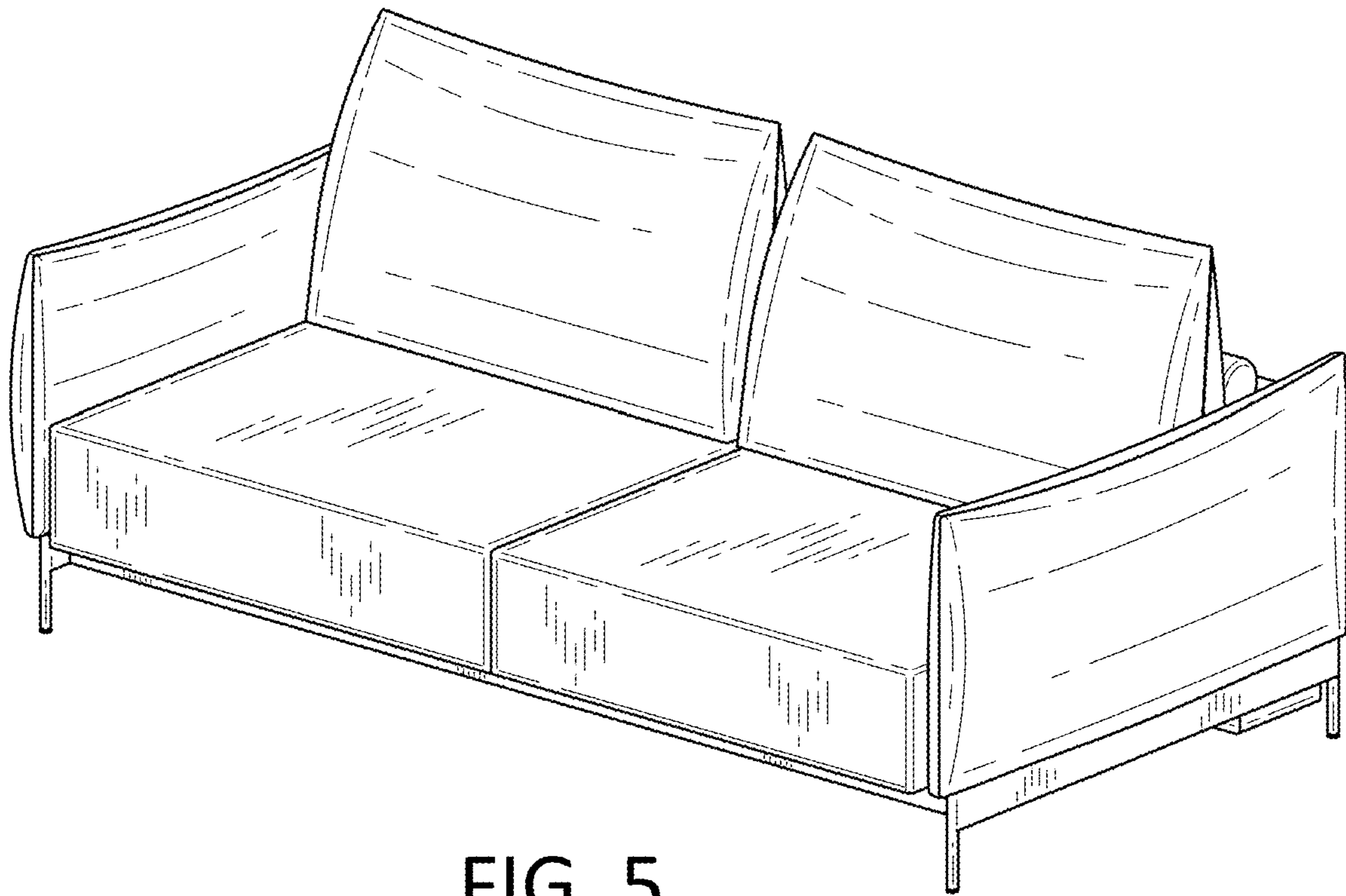


FIG. 5

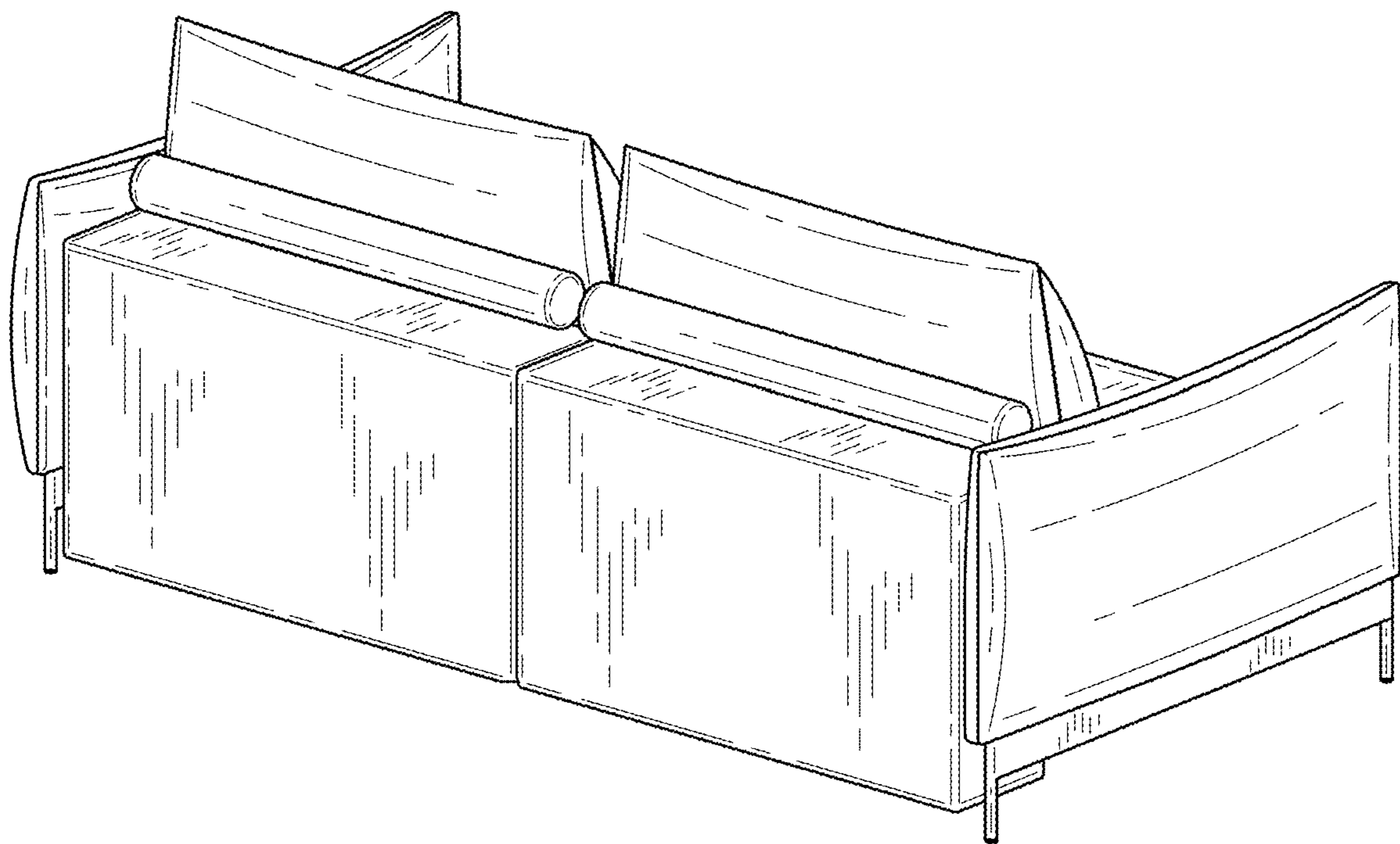


FIG. 6

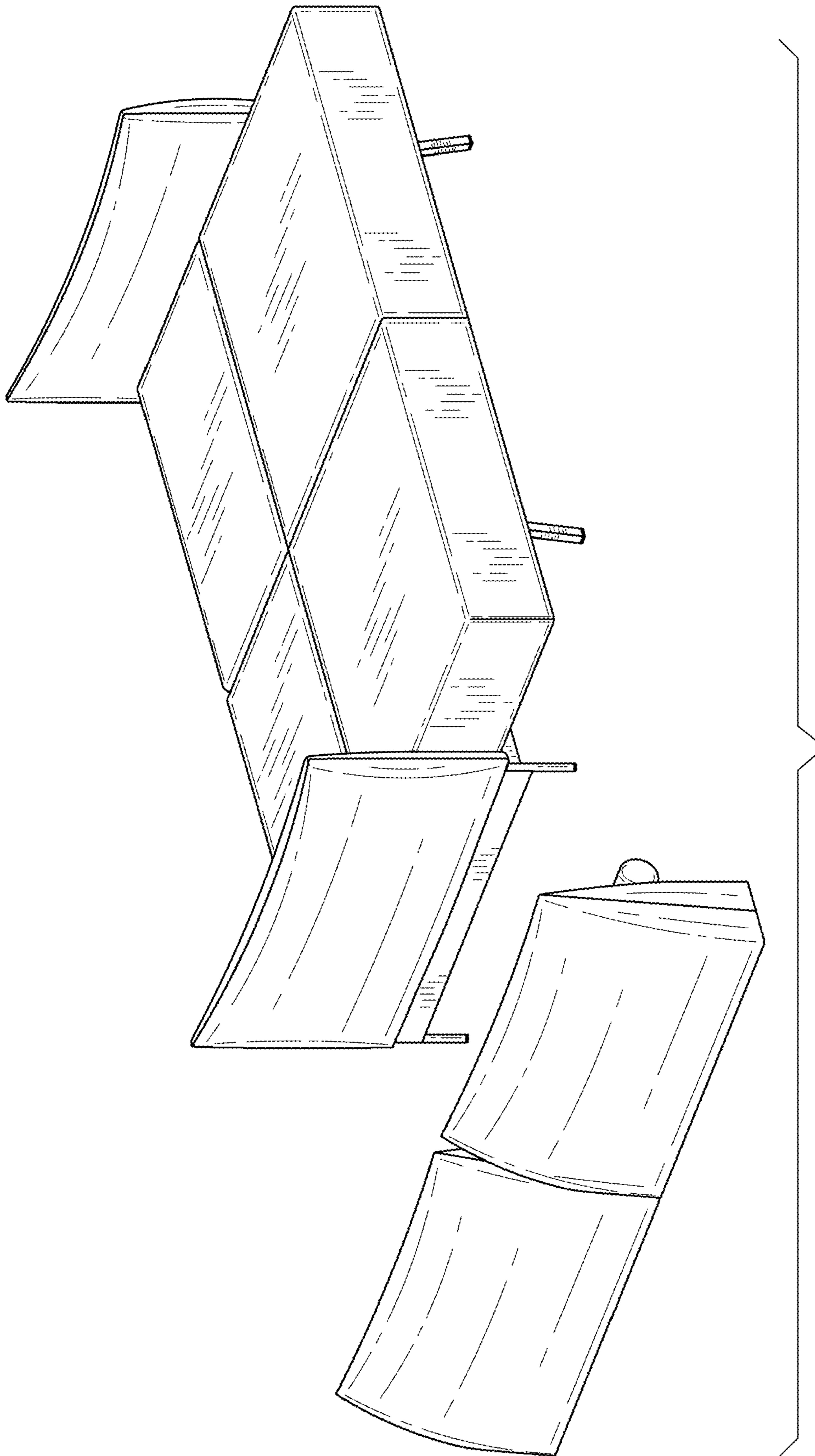


FIG. 7