



US00D985955S

(12) **United States Design Patent** (10) **Patent No.:** **US D985,955 S**
Li (45) **Date of Patent:** **** May 16, 2023**

(54) **SEATING FURNITURE**
(71) Applicant: **39F USA INC**, Rancho Cucamonga, CA (US)

D906,701 S * 1/2021 Li D6/334
D933,990 S * 10/2021 Killinger D6/378
D948,230 S * 4/2022 Du D6/374
D959,868 S * 8/2022 Li D6/334

(72) Inventor: **Yuehai Li**, Rancho Cucamonga, CA (US)

OTHER PUBLICATIONS

“Hendrix Upholstered Barrel Chair” Feb. 19, 2021, wayfair.com, site visited Dec. 12, 2022 <<https://www.wayfair.com/furniture/pdp/etta-avenue-hendrix-30-wide-polyester-barrel-chair-w005011576.html?piid=693330316>> (Year: 2021).*

(73) Assignee: **39F USA INC**, Rancho Cucamonga, CA (US)

(Continued)

(**) Term: **15 Years**

(21) Appl. No.: **29/782,769**

Primary Examiner — Kevin K Rudzinski

Assistant Examiner — Paul D Bohannon

(22) Filed: **May 9, 2021**

(74) *Attorney, Agent, or Firm* — Raymond Y. Chan;

David and Raymond Patent Firm

(51) **LOC (14) Cl.** **06-01**

(52) **U.S. Cl.**
USPC **D6/375**

(57) **CLAIM**

The ornamental design for a seating furniture, as shown and as described.

(58) **Field of Classification Search**
USPC D6/369, 375, 377, 379, 380, 716.4, 332, D6/334, 335, 364, 358, 363, 371, 643, D6/643.1, 644, 366, 374, 716, 378, 381; D12/345; D25/138
CPC A47B 91/04; A47C 1/143; A47C 3/00; A47C 3/023; A47C 3/12; A47C 4/02; A47C 5/12; A47C 7/002; A47C 7/46; A47C 7/66; A47C 9/005; A47C 9/025; Y10S 297/02

DESCRIPTION

See application file for complete search history.

FIG. 1 is a front perspective view showing my new design. FIG. 2 is a front view of FIG. 1. FIG. 3 is a rear view of FIG. 1. FIG. 4 is a right end view of FIG. 1. FIG. 5 is a left end view of FIG. 1. FIG. 6 is a top view of FIG. 1. FIG. 7 is a bottom view of FIG. 1. FIG. 8 is a rear perspective view of FIG. 1. FIG. 9 is a front perspective view, showing my new design in a second position of use; and, FIG. 10 is a rear perspective view of FIG. 9.

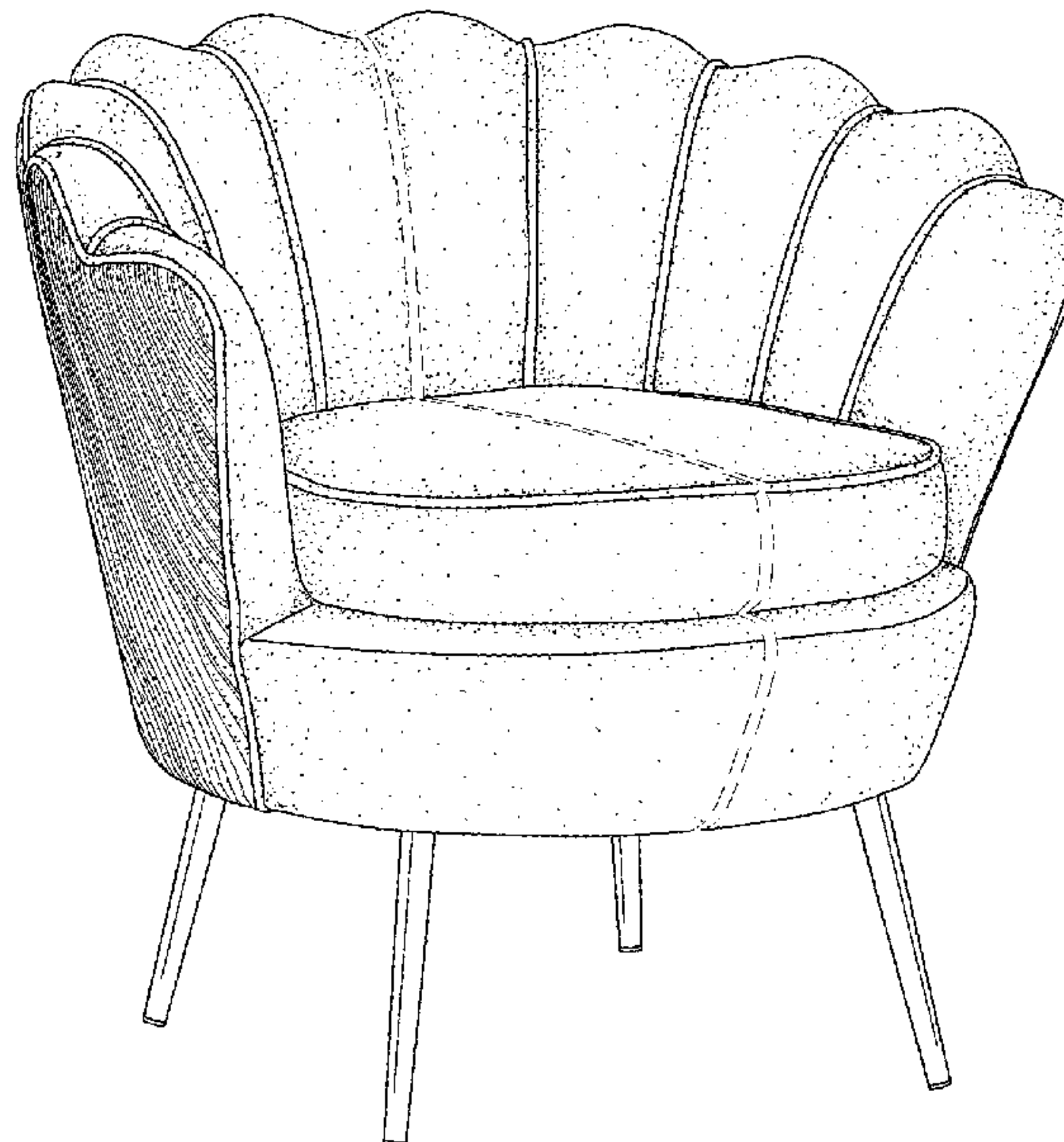
(56) **References Cited**

U.S. PATENT DOCUMENTS

D178,888 S * 10/1956 Keal D6/334
3,694,030 A * 9/1972 Grosfillex A47C 3/12
297/440.22
D316,687 S * 5/1991 Wilby D6/334
D336,172 S * 6/1993 Gibson D6/378
D395,759 S * 7/1998 Smith D6/381
D552,854 S * 10/2007 Tseng D30/118

The broken lines shown in the drawings represent portions of the article that form no part of the claimed design. The symbolic broken lines in the drawings indicate that the appearance of any portion between the broken lines forms no part of the claimed design.

1 Claim, 10 Drawing Sheets



(56)

References Cited

OTHER PUBLICATIONS

“Modway Admire Scalloped Edge Performance Velvet Accent Lounge Arm Chair in Pink” Mar. 10, 2019, amazon.com, site visited Dec. 12, 2022 <https://www.amazon.com/dp/B07PKFF9ND/ref=sbl_dpx_living-room-chairs_B09CLWFX4J_0?th=1> (Year: 2019).*

* cited by examiner

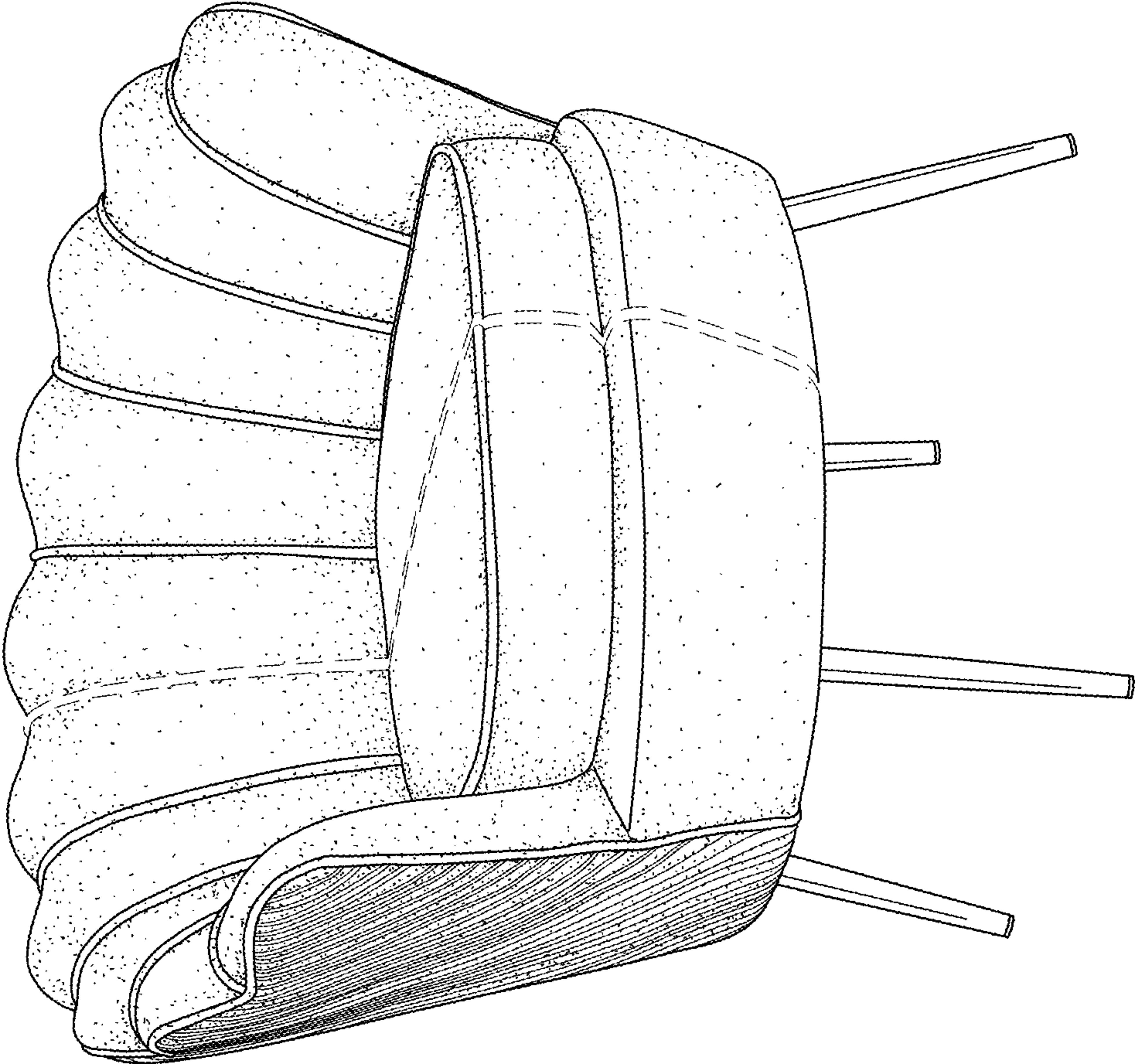


FIG. 1

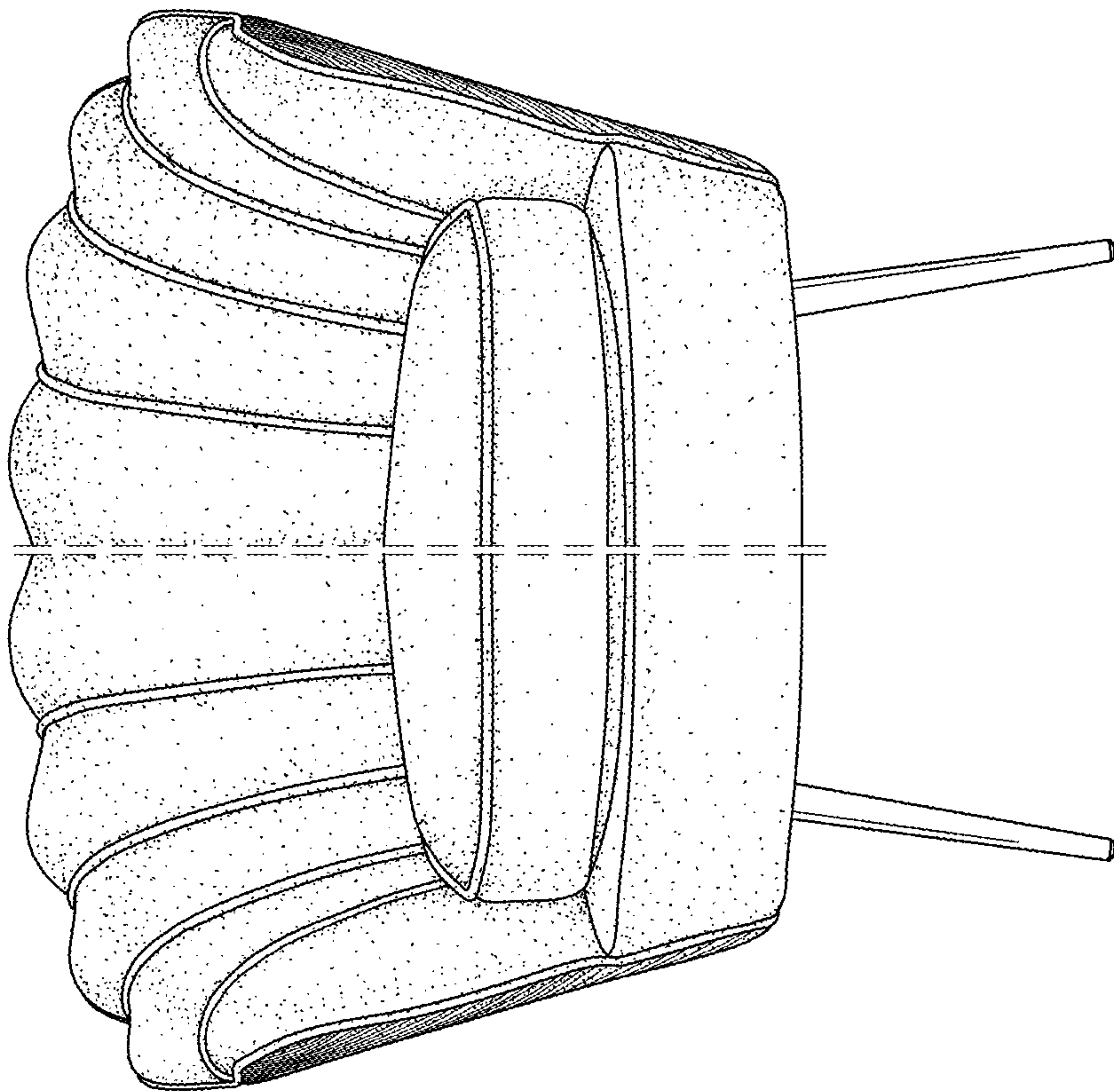


FIG. 2

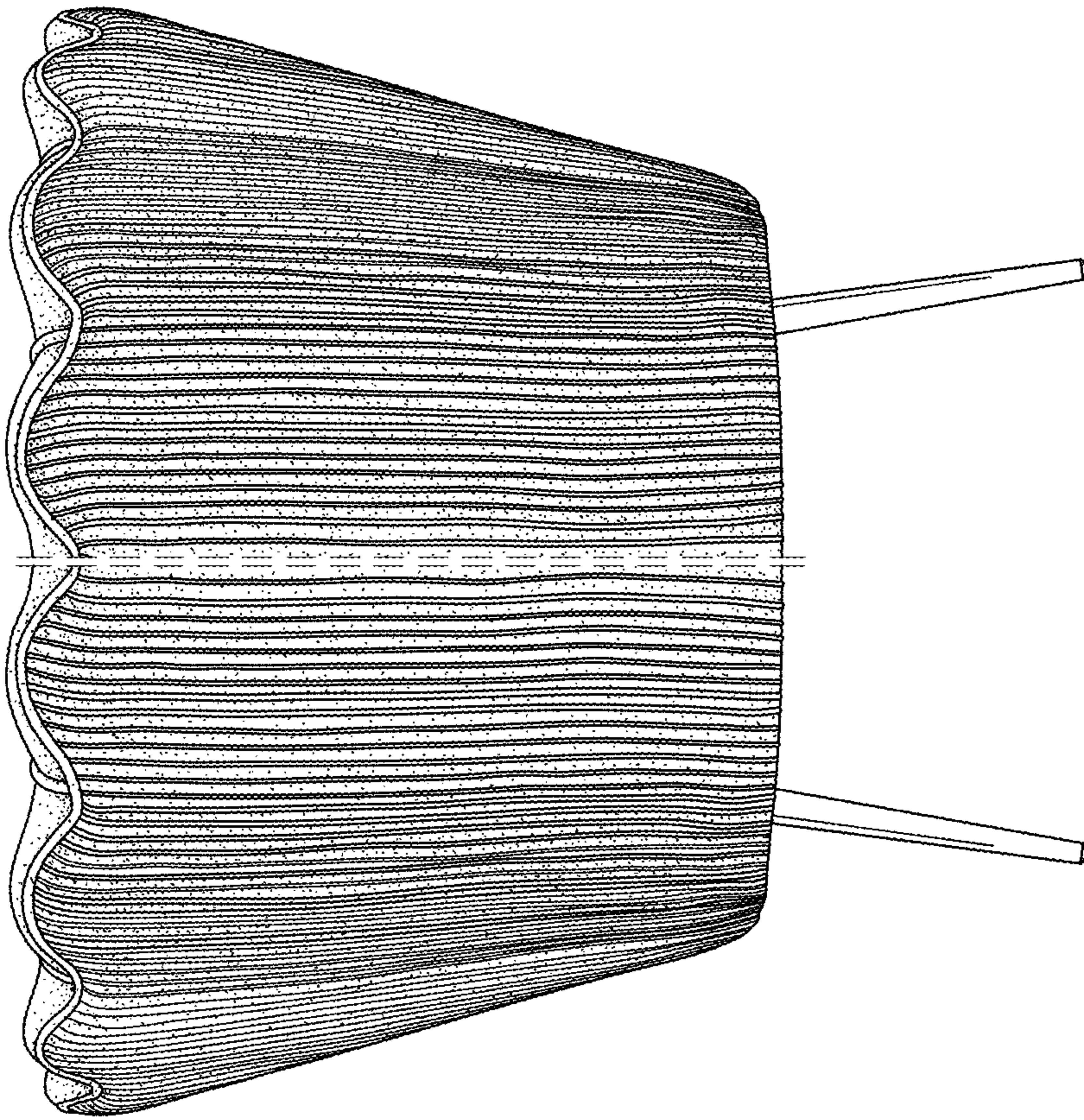


FIG. 3

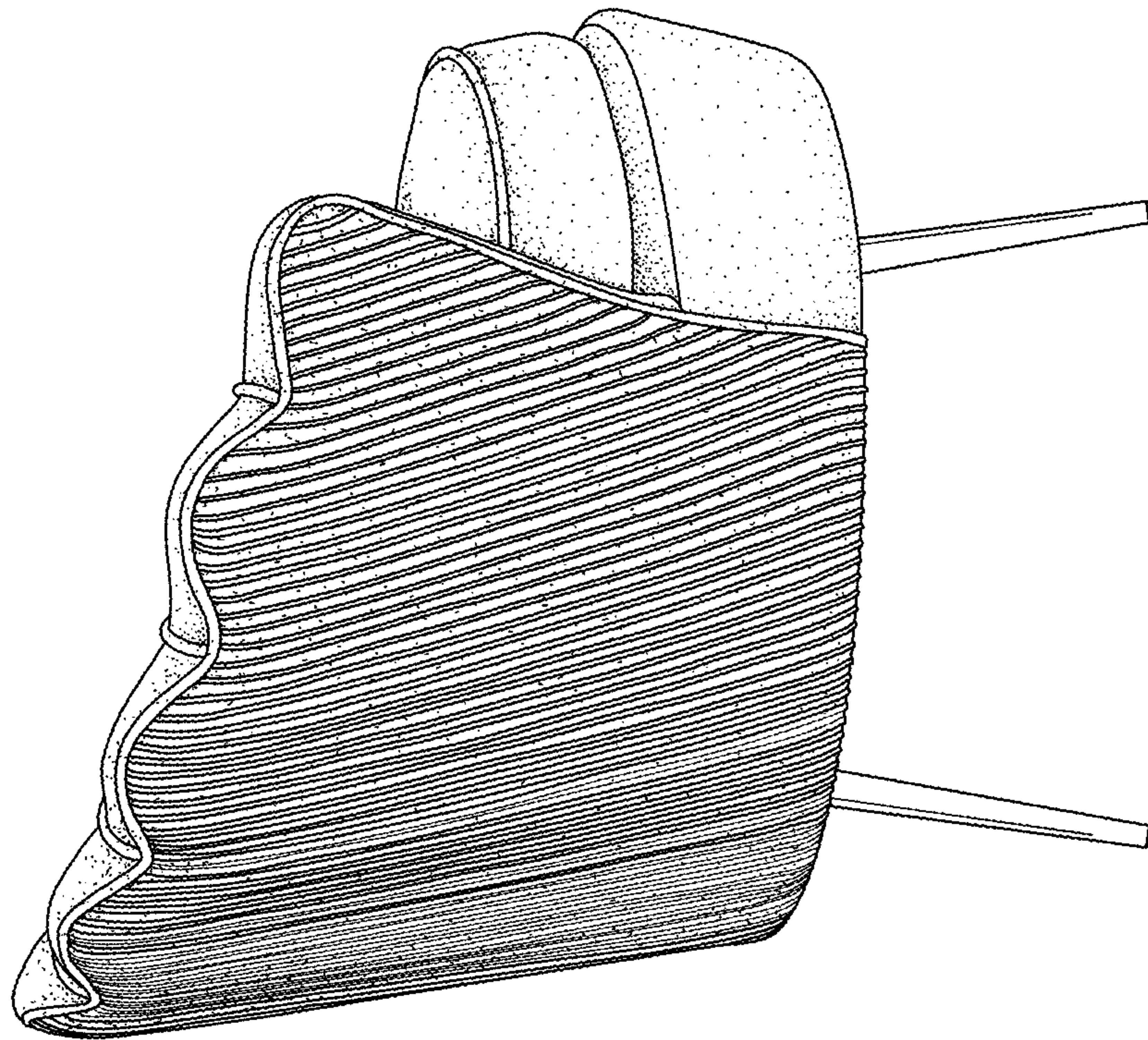


FIG. 4

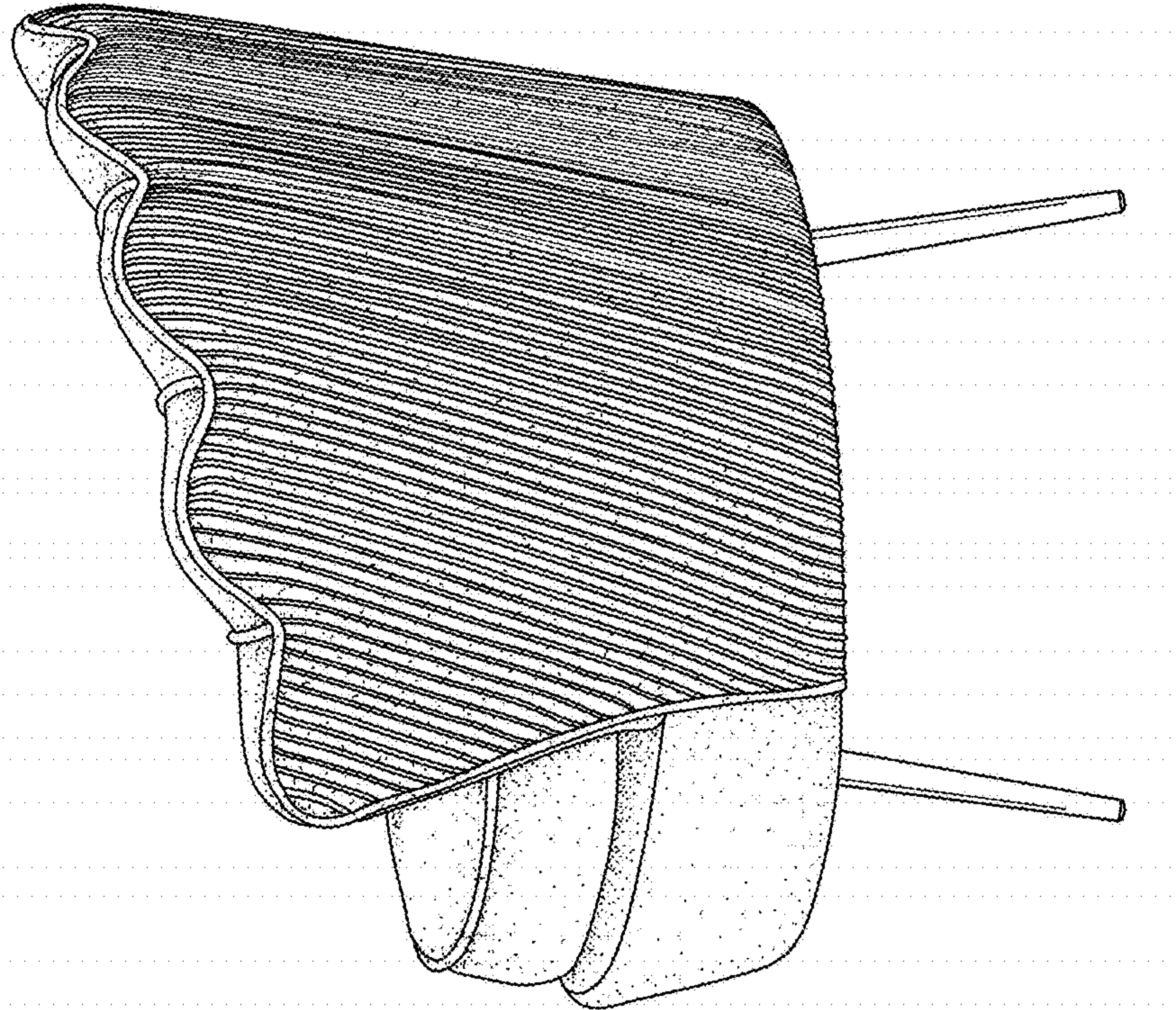


FIG. 5

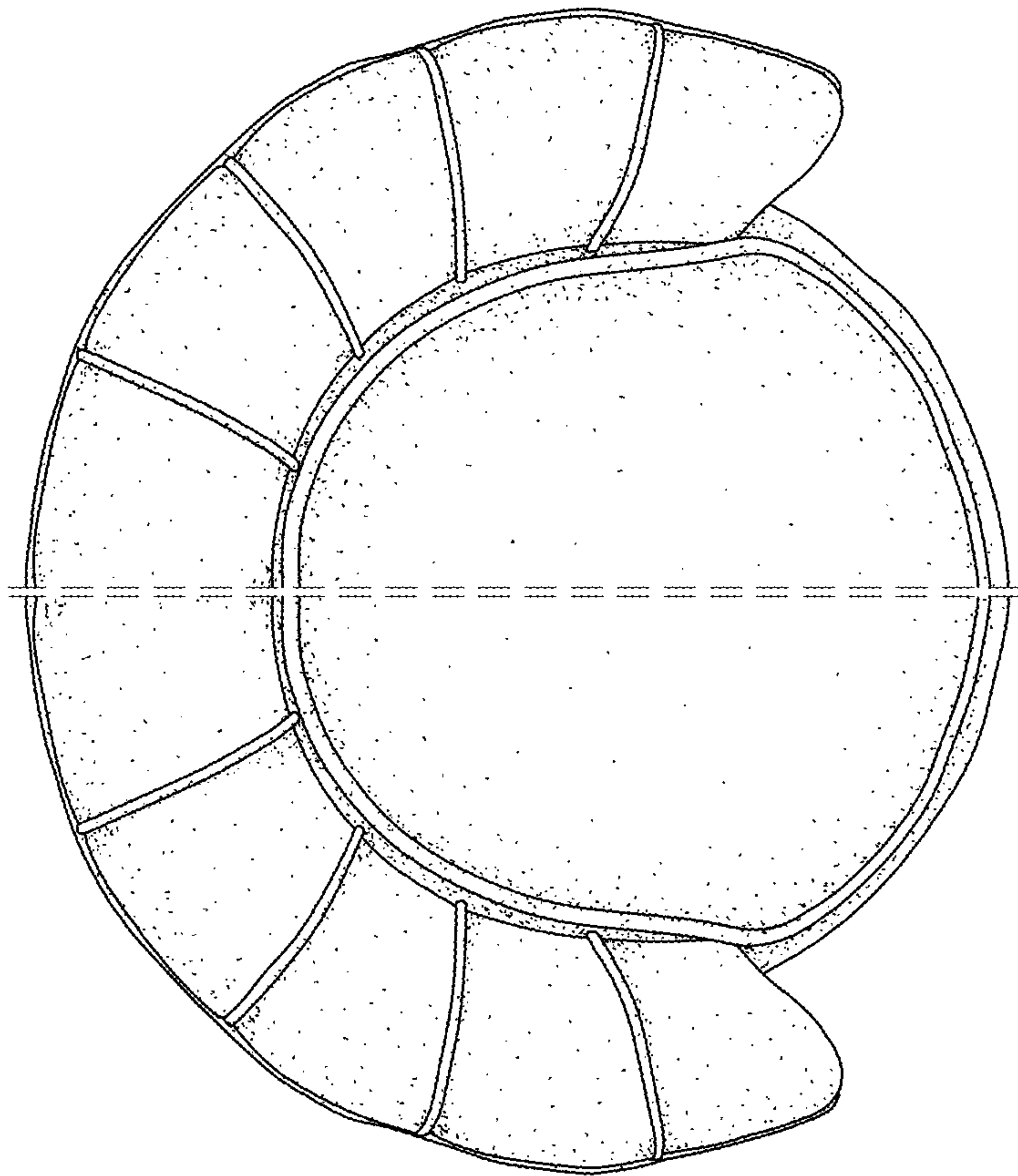


FIG. 6

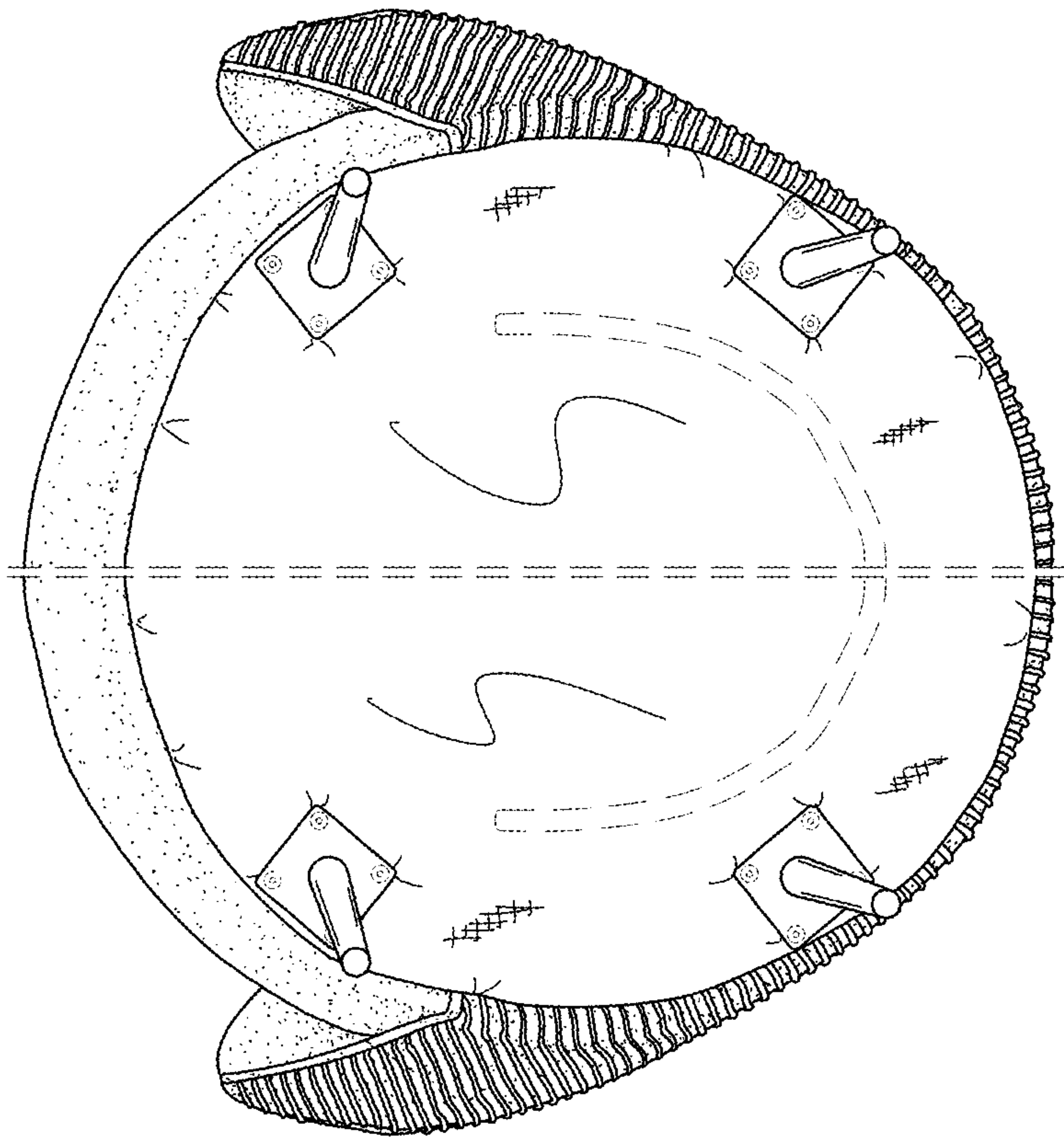


FIG. 7

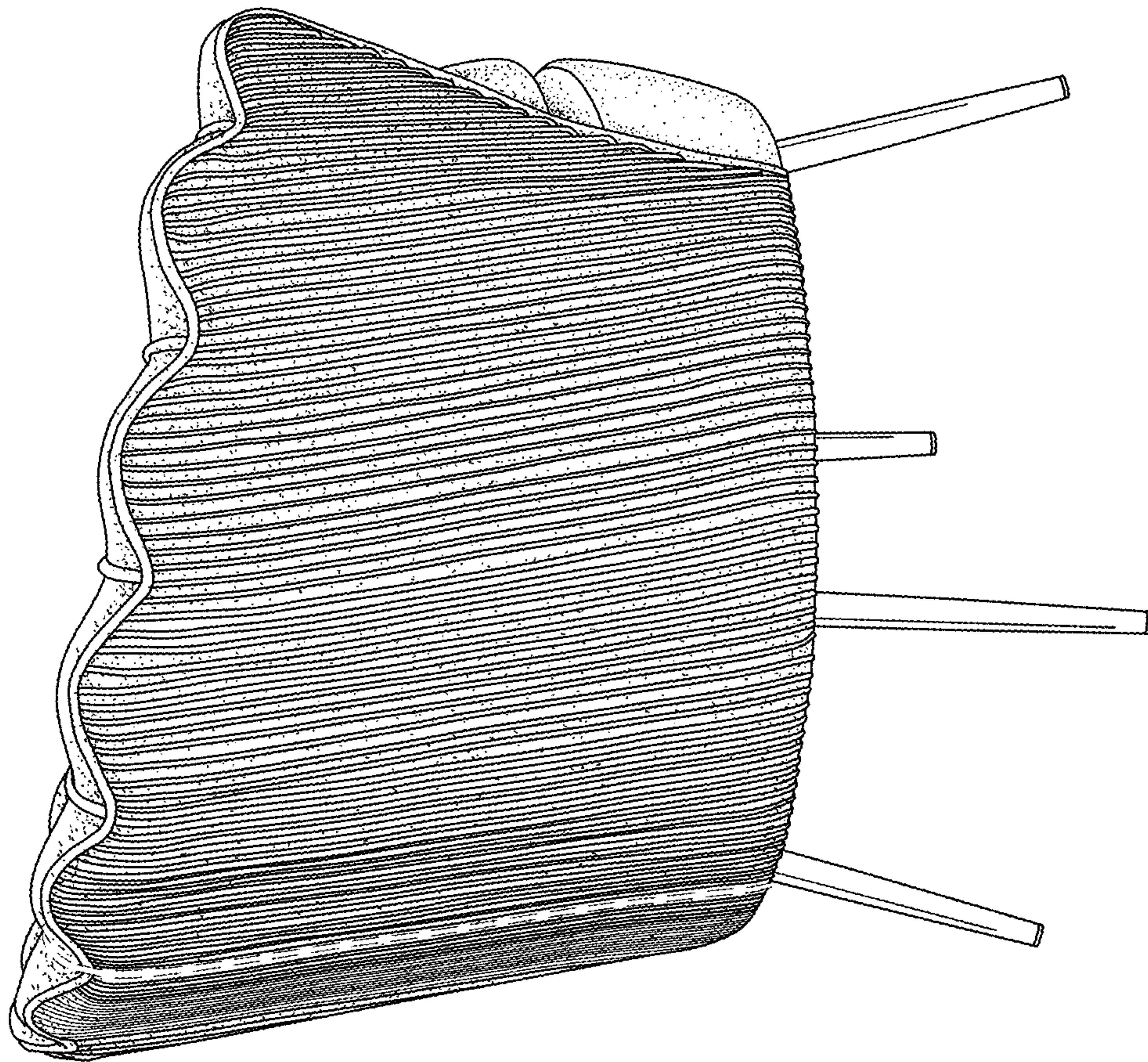


FIG. 8

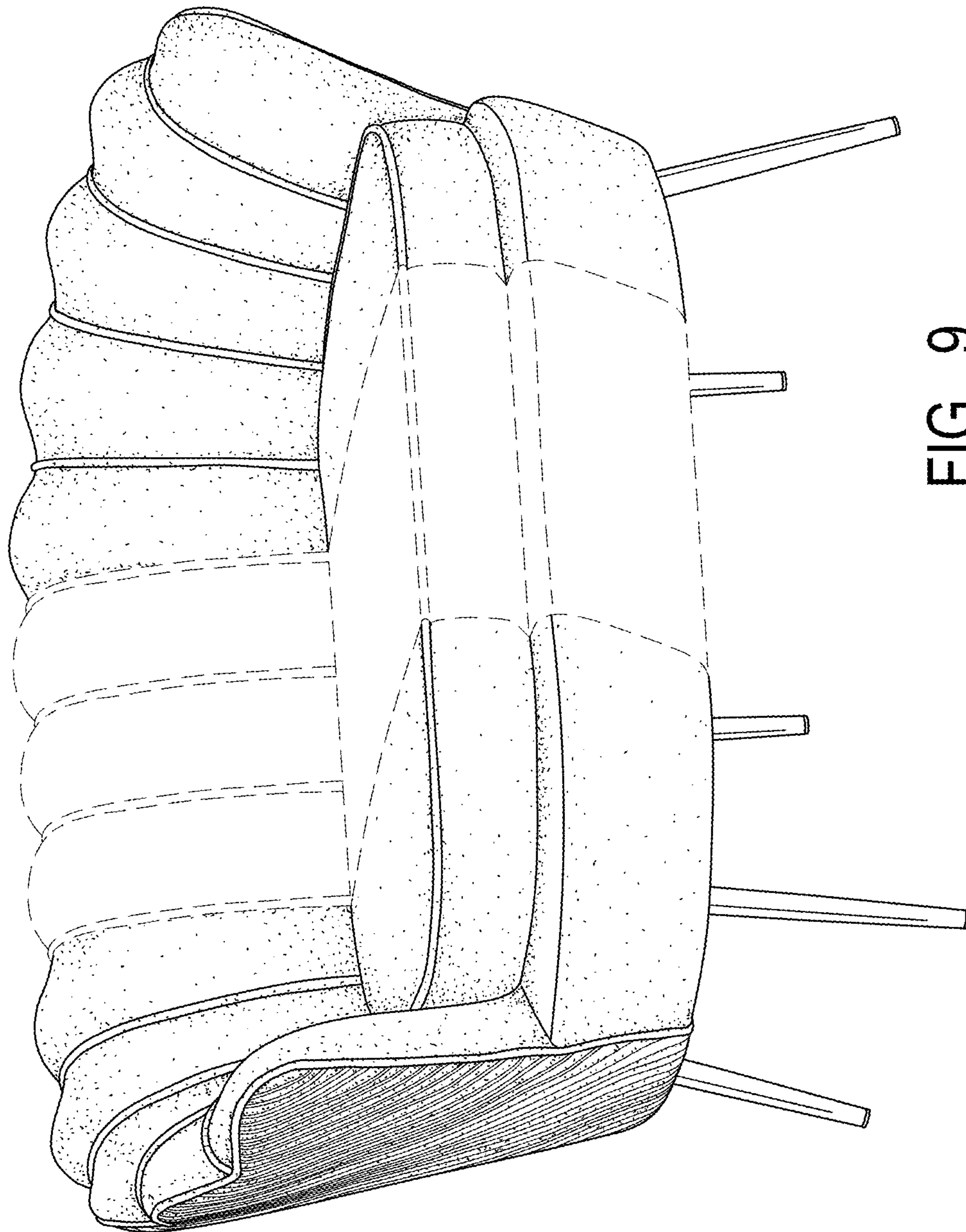


FIG. 9

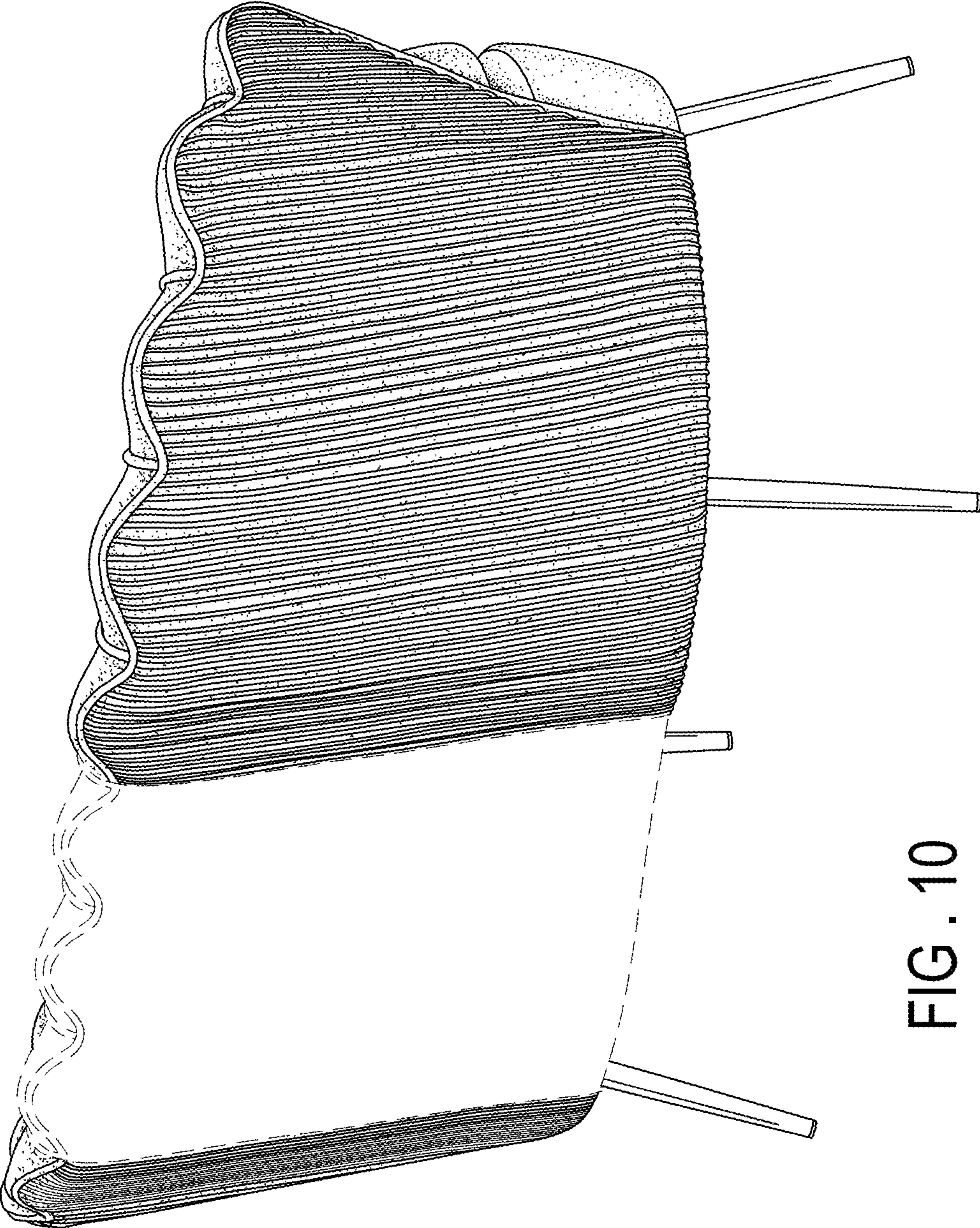


FIG. 10