



US00D985954S

(12) **United States Design Patent**
Feng

(10) **Patent No.:** **US D985,954 S**
(45) **Date of Patent:** **** May 16, 2023**

(54) **CHAIR**

- (71) Applicant: **Hangzhou Point & Line Technology Co., Ltd.**, Zhejiang (CN)
- (72) Inventor: **Xiaowei Feng**, Hebei (CN)
- (**) Term: **15 Years**
- (21) Appl. No.: **29/799,447**
- (22) Filed: **Jul. 14, 2021**
- (51) **LOC (14) Cl.** **06-01**
- (52) **U.S. Cl.**
USPC **D6/366**
- (58) **Field of Classification Search**
USPC D6/334–336, 338, 356, 364–367, 375,
D6/379, 380, 716–716.5; D21/521, 695
CPC A47C 7/004; A47C 7/006; A47C 7/18;
A47C 7/24; A47C 7/38; A47C 7/40;
B60N 2/02; B60N 2/20; B60N 2/22
See application file for complete search history.

(56) **References Cited**

U.S. PATENT DOCUMENTS

D585,205 S *	1/2009	Wen	D6/366
7,568,768 B1 *	8/2009	Tsai	A47C 7/38
				297/452.56
D641,572 S *	7/2011	Tsai	D6/716.4
D673,400 S *	1/2013	Chen	D6/716.4
D782,239 S *	3/2017	Tsai	D6/716.4
D844,358 S *	4/2019	Chadwick	D6/716.4
D912,418 S *	3/2021	Chen	D6/366
D927,908 S *	8/2021	Chen	D6/716.4
2011/0001347 A1 *	1/2011	Choi	A47C 7/405
				156/60
2013/0154314 A1 *	6/2013	Romero	A47C 7/46
				297/68
2017/0042333 A1 *	2/2017	Tsai	A47C 7/405
2018/0103765 A1 *	4/2018	Chen	A47C 7/38
2018/0235371 A1 *	8/2018	Chen	A47C 7/405

OTHER PUBLICATIONS

Hbada Ergonomic Chair, available in Amazon.co.uk, date first available of Jan. 6, 2021, site visited on Dec. 14, 2022, URL:https://www.amazon.co.uk/Hbada-Ergonomic-Adjustable-High-Density-Breathable/dp/B09KCHX4DB/ (Year: 2021).*

Gubert High Back Ergonomic Mesh Office Computer Chair, available in Wayfair.com, oldest review date of Dec. 16, 2020, site visited on Dec. 14, 2022, URL:https://www.wayfair.com/furniture/pdp/ebert-designs-gubert-high-back-ergonomic-mesh-office-computer-chair-w002291782.html?piid=1308302473 (Year: 2020).*

Hbada Ergonomic Chair Walmart, available in Walmart.com, date of oldest review of May 31, 2022, site visited on Dec. 14, 2022, URL: https://www.walmart.com/ip/Hbada-Ergonomic-Chair-Adjustable-Backrest-Height-Computer-Chair-Rotatable-Lifting-Lumbar-Support-and-High-Density-Breathable-Mesh-Desk-Chair/ (Year: 2022).*

* cited by examiner

Primary Examiner — Mary Ann Calabrese
Assistant Examiner — Mark David Wolfley

(57) **CLAIM**

The ornamental design for a chair, as shown and described.

DESCRIPTION

FIG. 1 is a perspective view of a chair design showing my new design.

FIG. 2 is a front view of a chair.

FIG. 3 is a rear view of a chair.

FIG. 4 is a left side view of a chair.

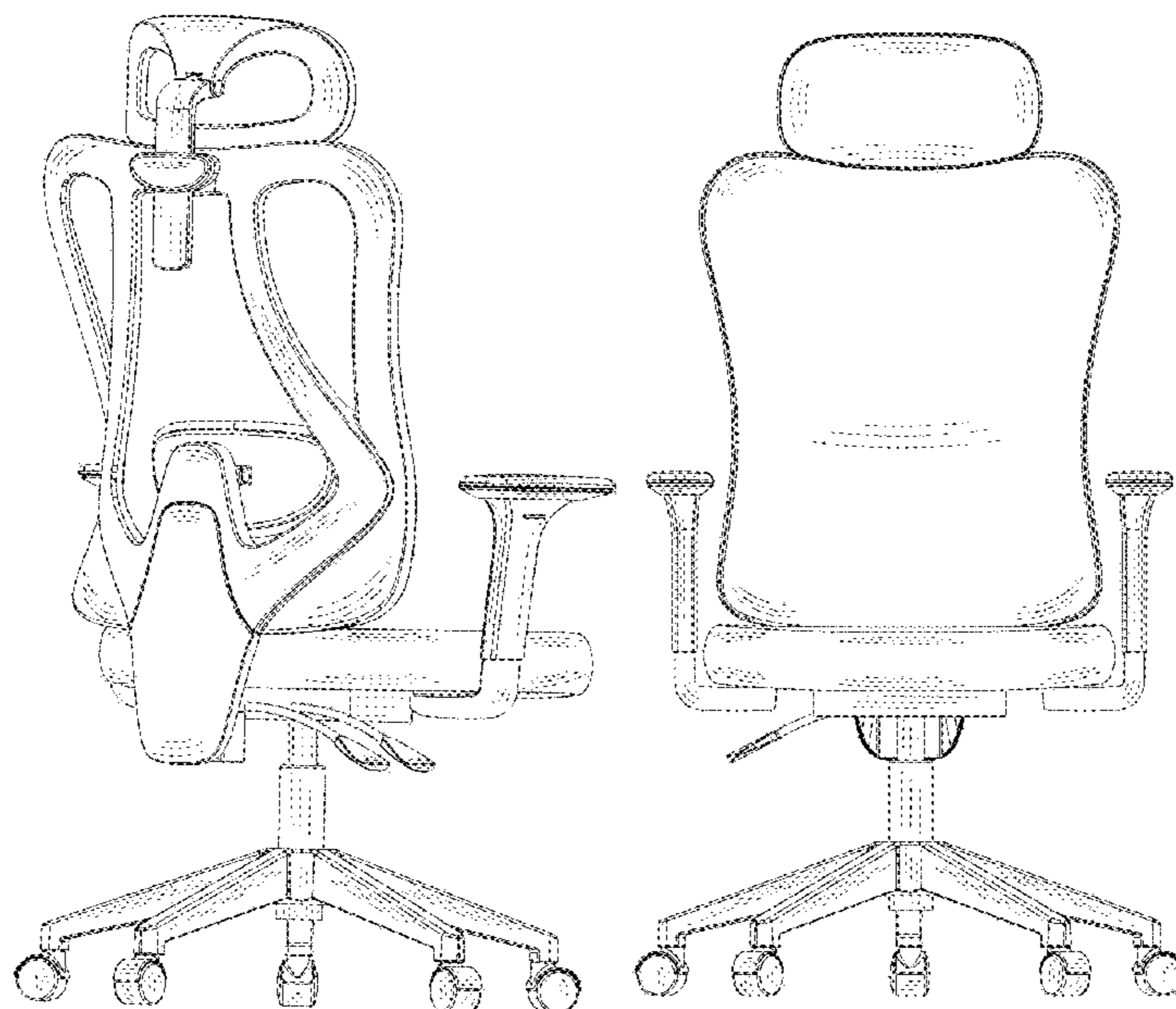
FIG. 5 is a right side view of a chair.

FIG. 6 is a top view of a chair; and,

FIG. 7 is a bottom view of a chair.

Any shading and cross-hatching are not features of the design but are utilized to illustrate the surface contours of the chair design in the drawings.

1 Claim, 7 Drawing Sheets



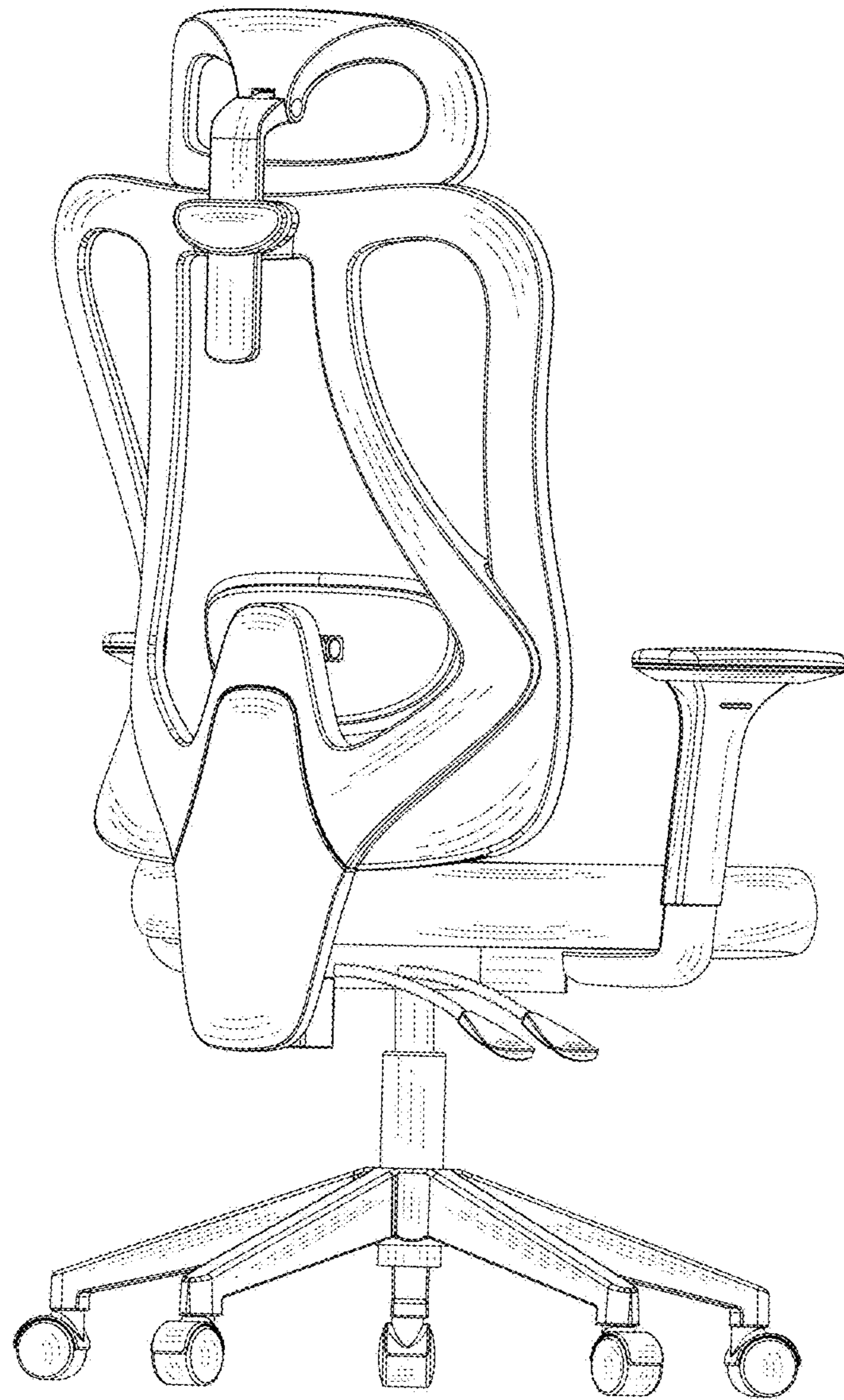


FIG. 1

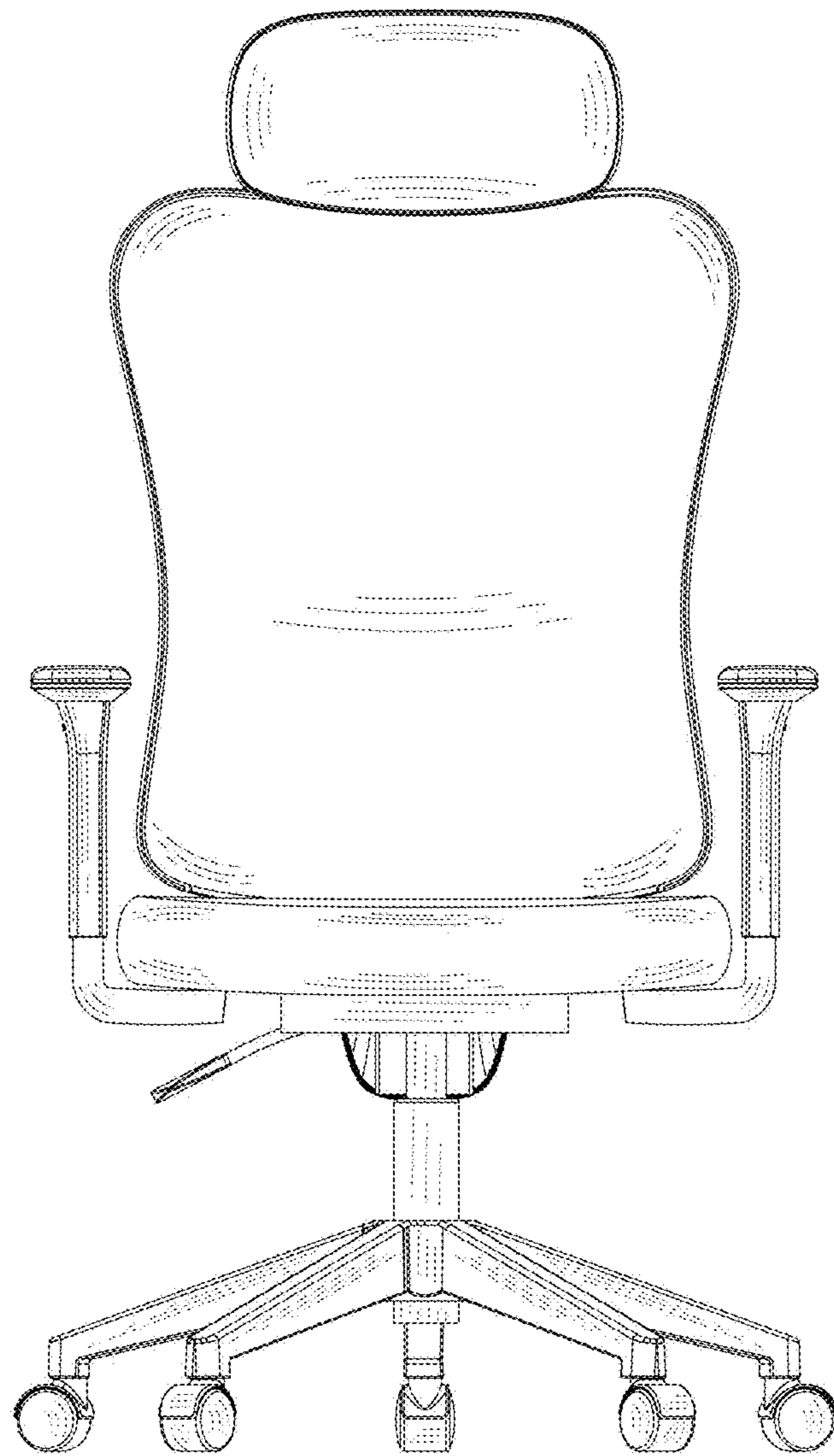


FIG. 2

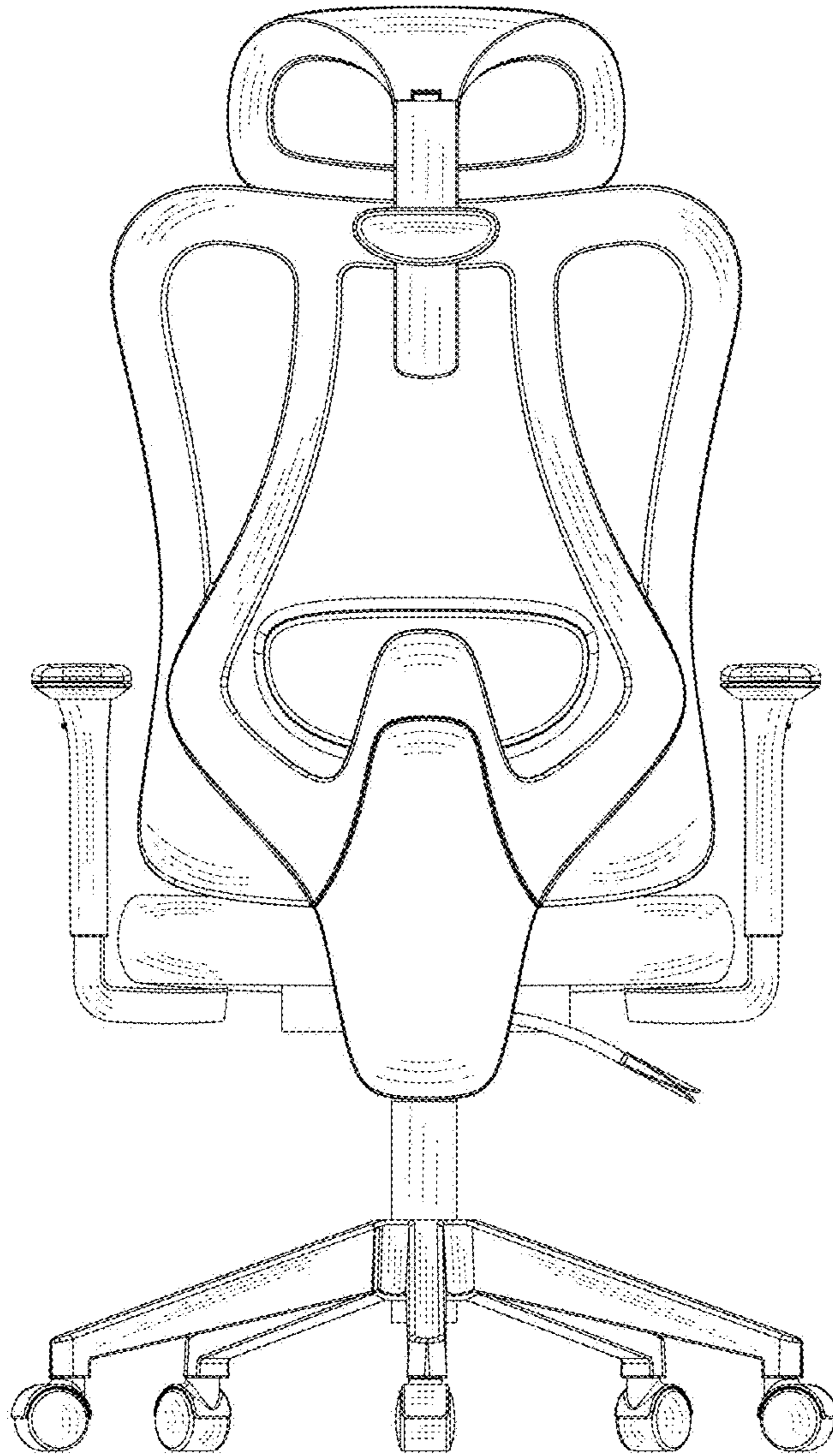


FIG. 3

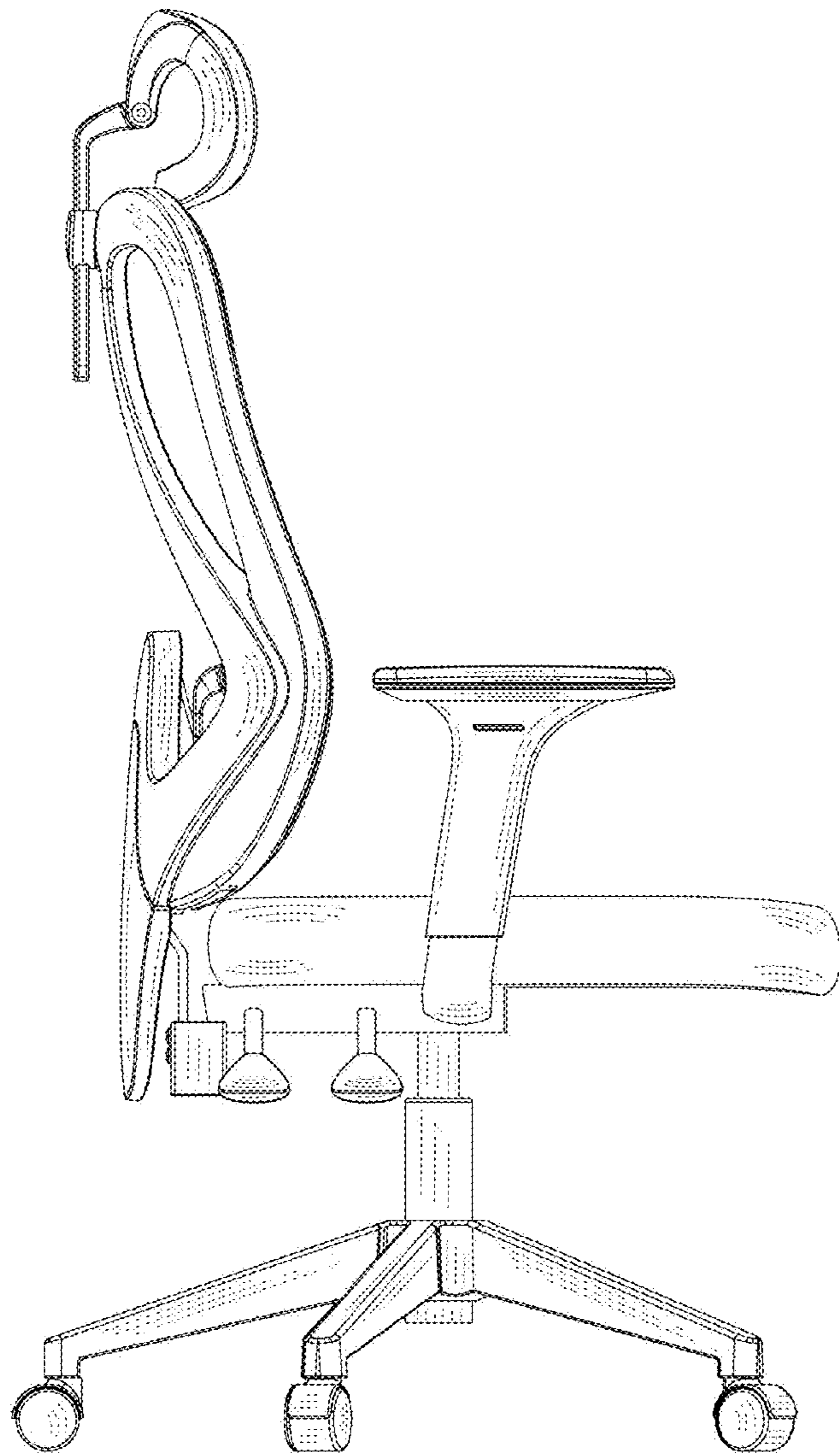


FIG. 4

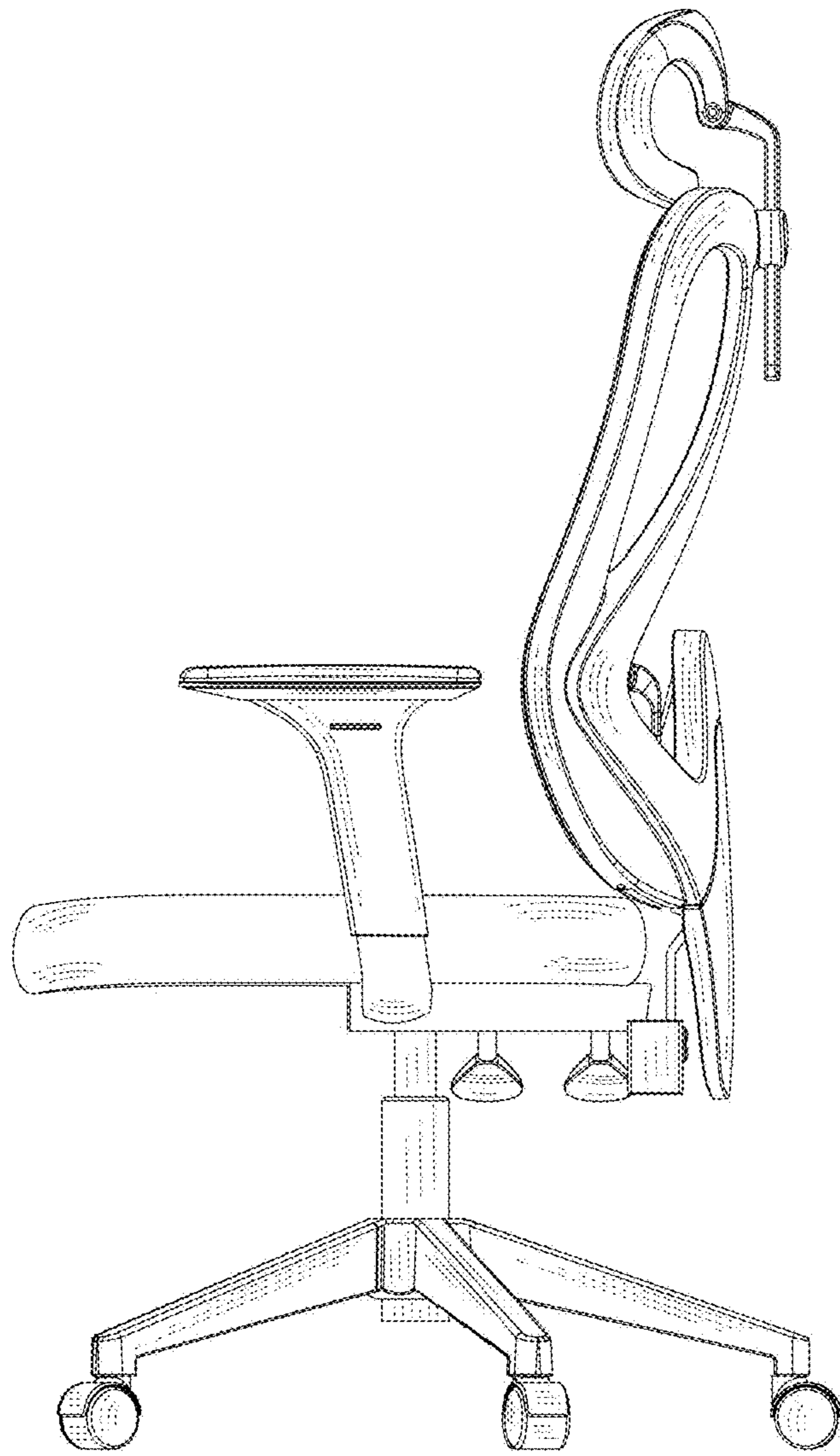


FIG. 5

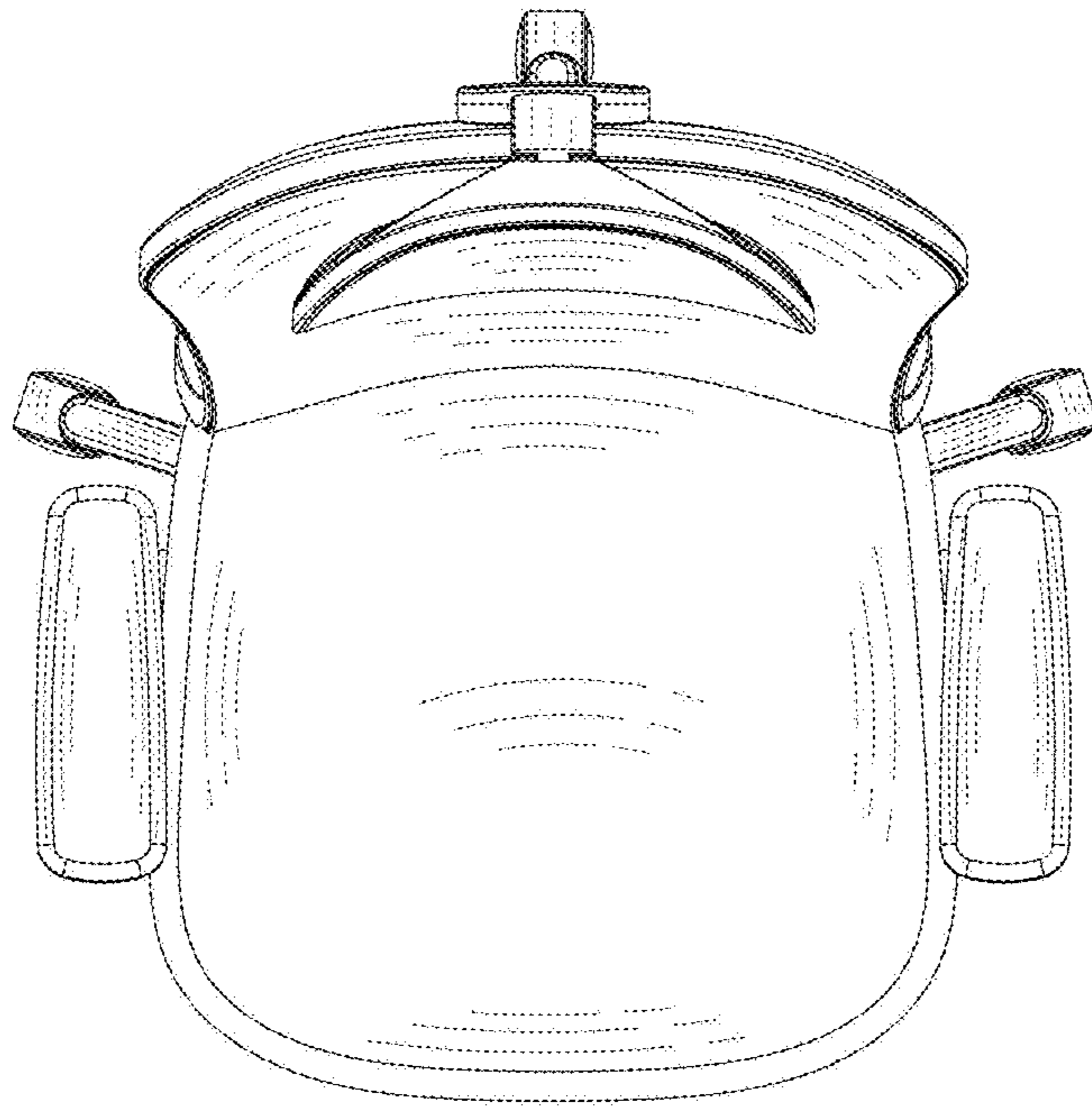


FIG. 6

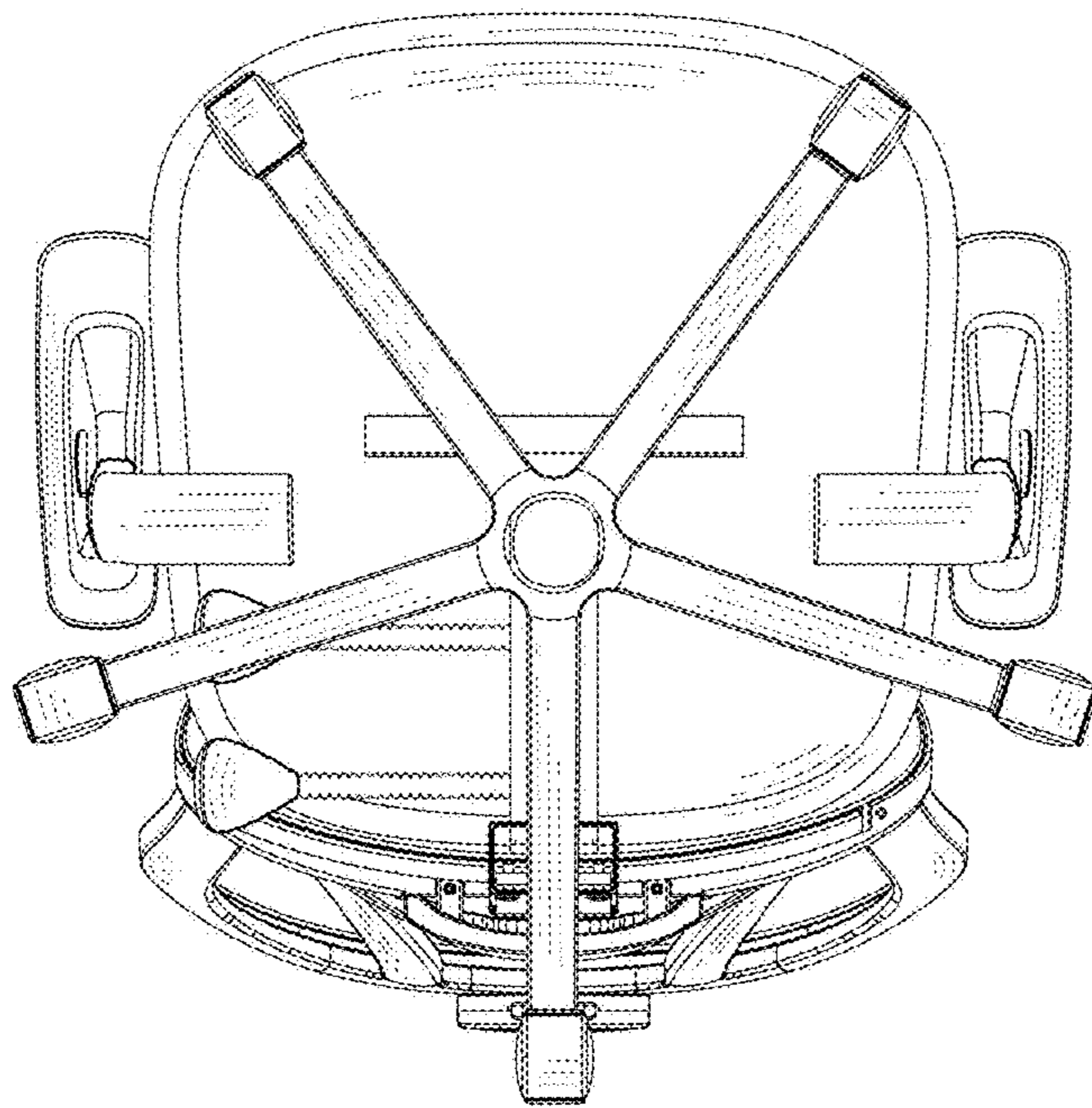


FIG. 7