



US00D985949S

(12) **United States Design Patent**
Nichetto

(10) **Patent No.:** **US D985,949 S**

(45) **Date of Patent:** **** May 16, 2023**

(54) **SEAT WITH TABLE**

(71) Applicant: **Sancal Diseño, S.L.**, Yecla (ES)

(72) Inventor: **Luca Nichetto**, Stockholm (SE)

(73) Assignee: **Sancal Diseño, S.L.**, Yecla (ES)

(**) Term: **15 Years**

(21) Appl. No.: **29/753,478**

(22) Filed: **Sep. 30, 2020**

(30) **Foreign Application Priority Data**

Apr. 6, 2020 (EM) 007794235-0006

(51) **LOC (14) Cl.** **06-01**

(52) **U.S. Cl.**
USPC **D6/338**

(58) **Field of Classification Search**
USPC D6/334–338, 340–343, 349–353, 355,
D6/358, 360, 364–365, 367, 371–373,
D6/381, 596, 597, 601, 604, 691–691.9,
D6/692–692.6, 708.2, 708, 716–716.1
CPC A47C 3/18; A47C 11/00; A47C 16/00;
A47C 16/02

See application file for complete search history.

(56) **References Cited**

U.S. PATENT DOCUMENTS

D274,578 S * 7/1984 Berry, Jr. D6/692.3
D286,598 S * 11/1986 Berry, Jr. D6/707.15
D287,679 S * 1/1987 Evans D6/687
D299,092 S * 12/1988 Leolli D6/677.3
D330,644 S * 11/1992 Bellini 248/163.1
D349,416 S * 8/1994 Shimogori D6/687
D605,862 S * 12/2009 Weeks D6/338
D697,341 S * 1/2014 Fakahany D6/677.3
D778,088 S * 2/2017 Hiyoshi D6/707.15
D829,008 S * 9/2018 Tamura D6/381

D841,994 S * 3/2019 Wynants D6/337
D864,629 S * 10/2019 Velez D6/692.6
D917,213 S * 4/2021 Li D6/692

FOREIGN PATENT DOCUMENTS

EM 007794235-0006 * 4/2020
EM 007794235-0007 * 4/2020

OTHER PUBLICATIONS

Sancal Meeting Point [online], [site visited Feb. 24, 2022]. Available from internet, URL: <<https://sancal.com/en/bench-meeting-point/>> (Year: 2022).*

Luca Nichetto on Instagram post [online], [site visited Feb. 24, 2022]. Available from internet, URL: <<https://www.instagram.com/p/BwOxUE9hIbZ/>> (Year: 2019).*

* cited by examiner

Primary Examiner — Cynthia Ramirez

Assistant Examiner — Xavier Marti-Santos

(74) *Attorney, Agent, or Firm* — Banner & Witcoff, Ltd.

(57) **CLAIM**

The ornamental design for a seat with table, as shown and described.

DESCRIPTION

FIG. 1 is a front, right side, top perspective view of a seat with table showing my new design;

FIG. 2 is a left side, top perspective view thereof;

FIG. 3 is a left side, bottom perspective view thereof;

FIG. 4 is a bottom view thereof;

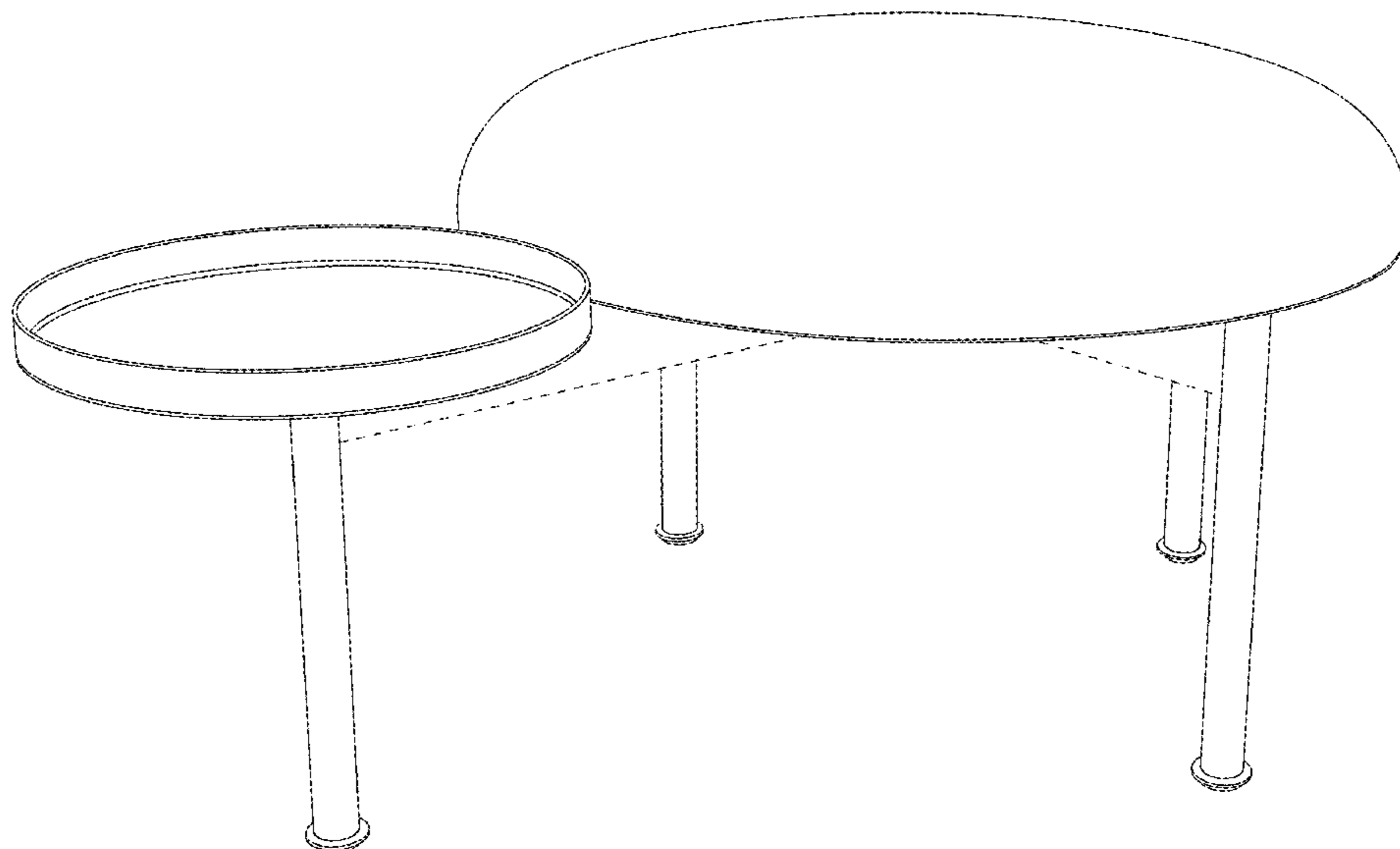
FIG. 5 is a top view thereof;

FIG. 6 is a front perspective view thereof; and,

FIG. 7 is a rear perspective view thereof.

The broken lines in the figures are for the purpose of illustrating portions of the seat with table, which form no part of the claimed design.

1 Claim, 7 Drawing Sheets



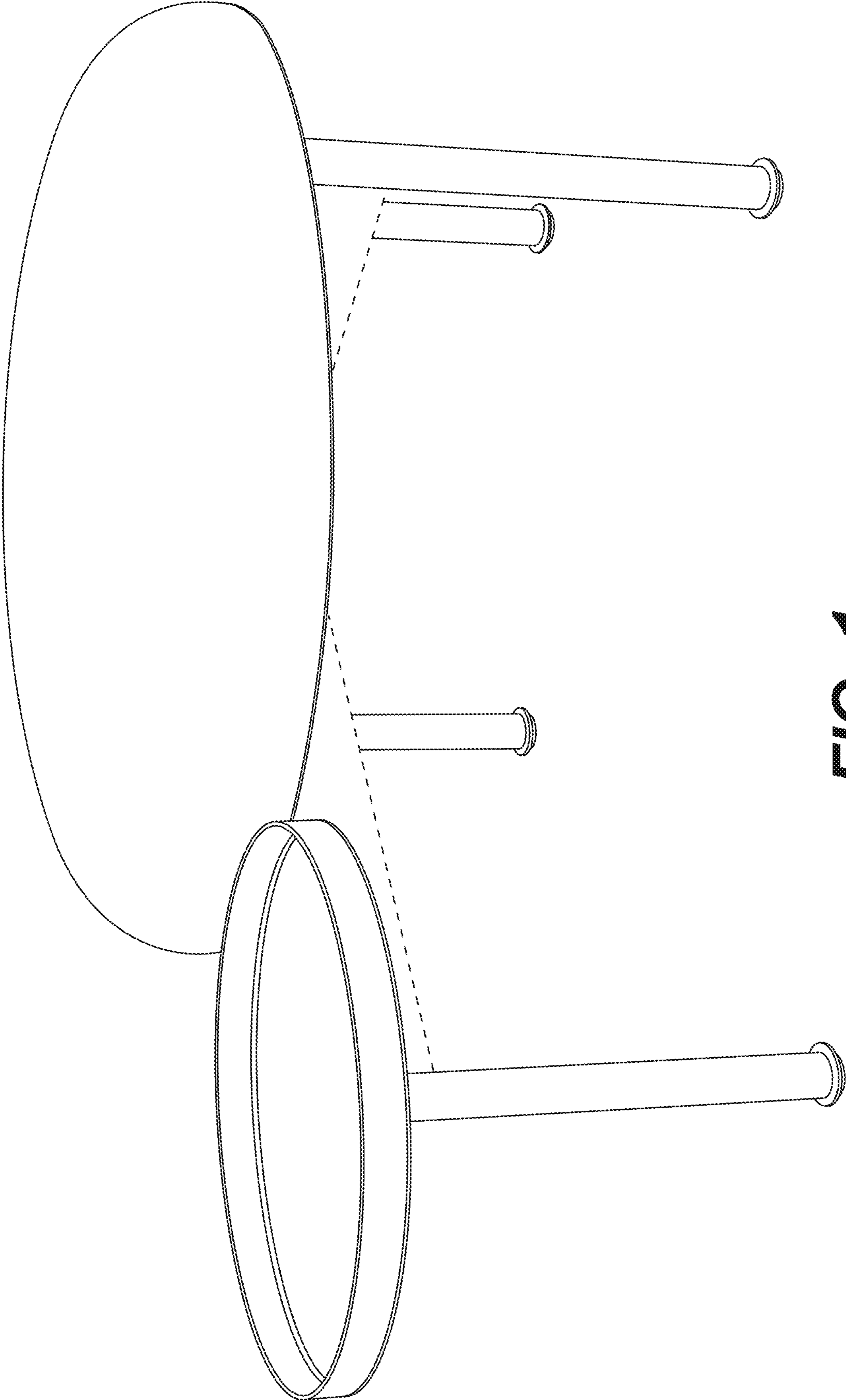


FIG. 1

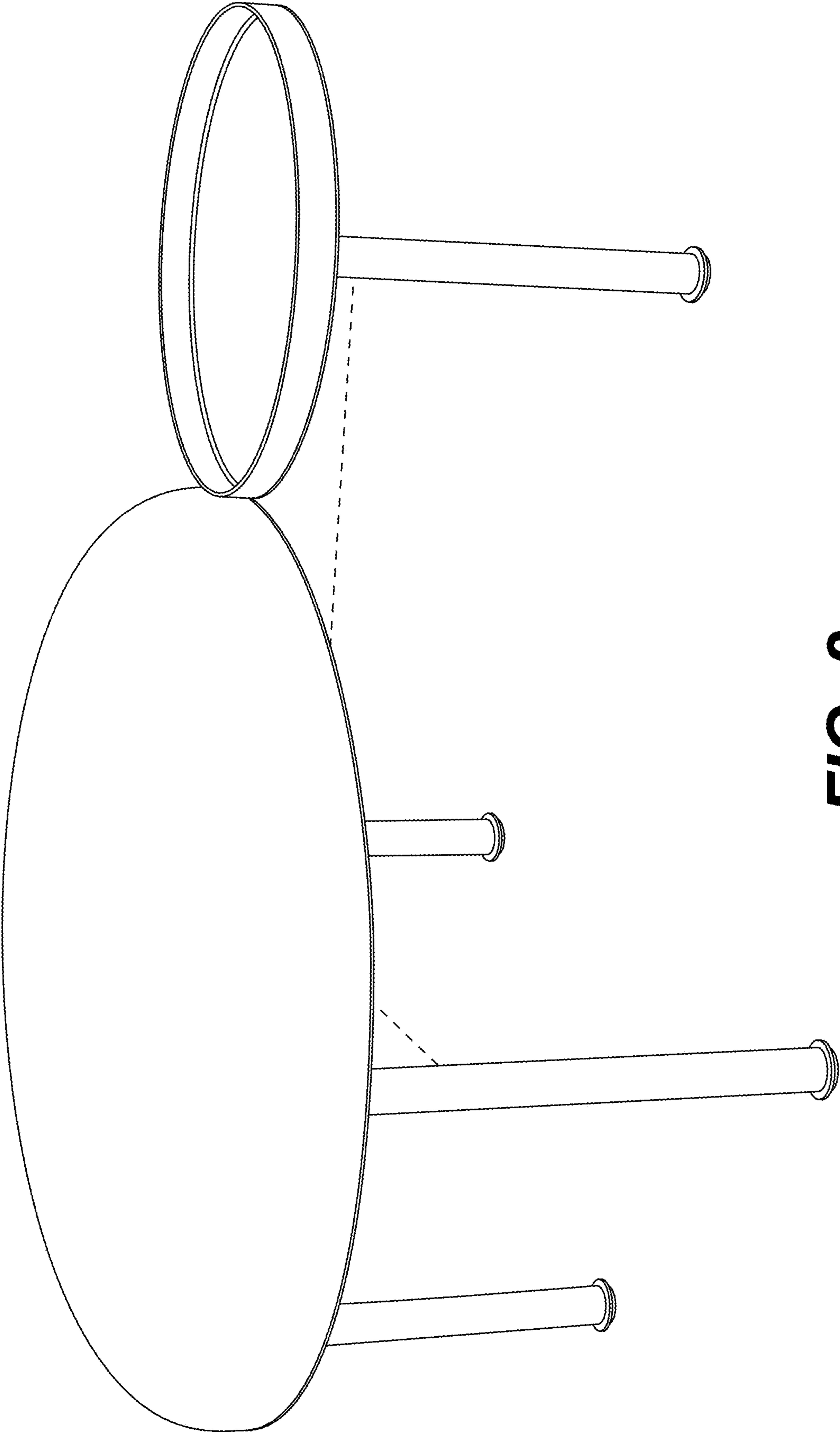


FIG. 2

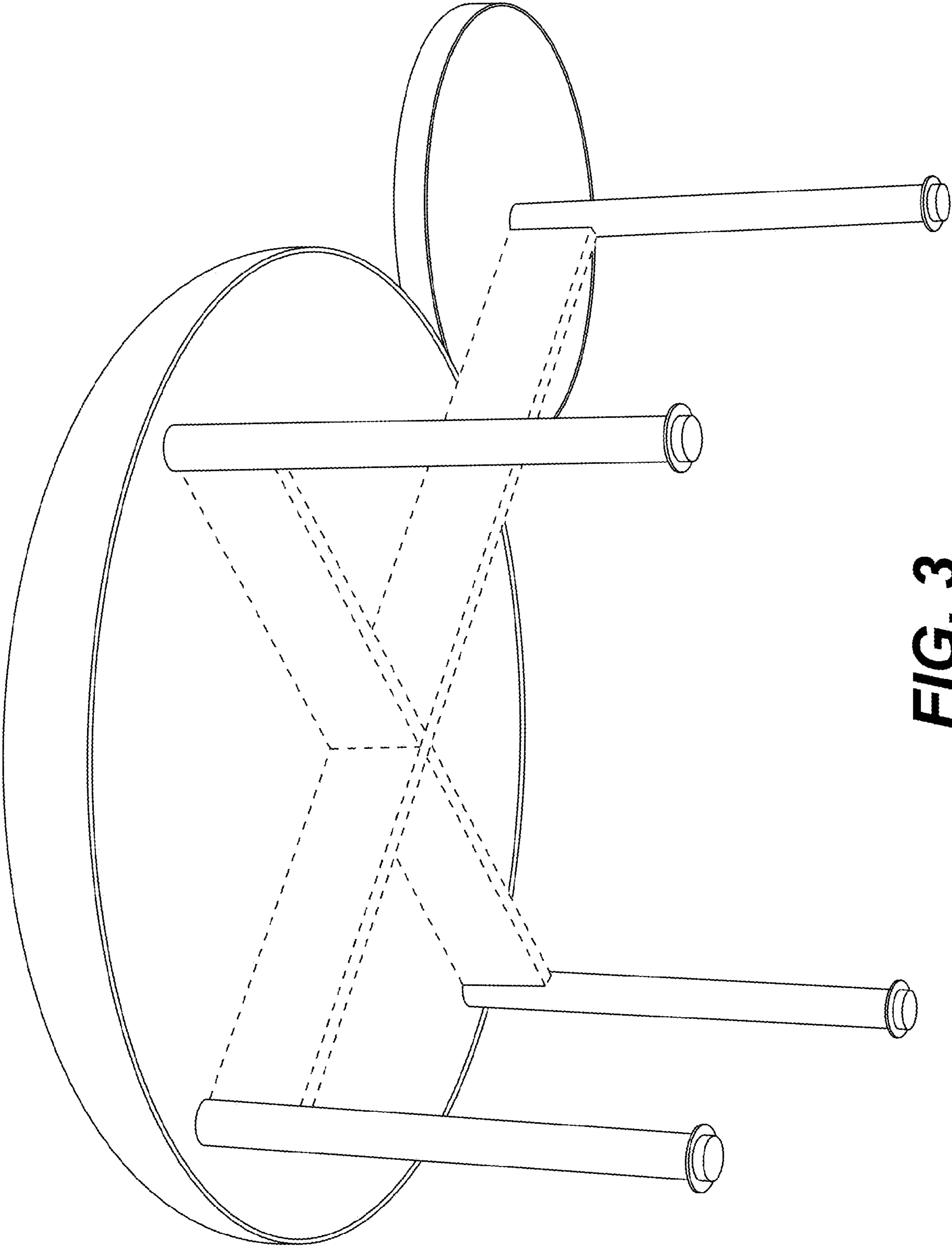


FIG. 3

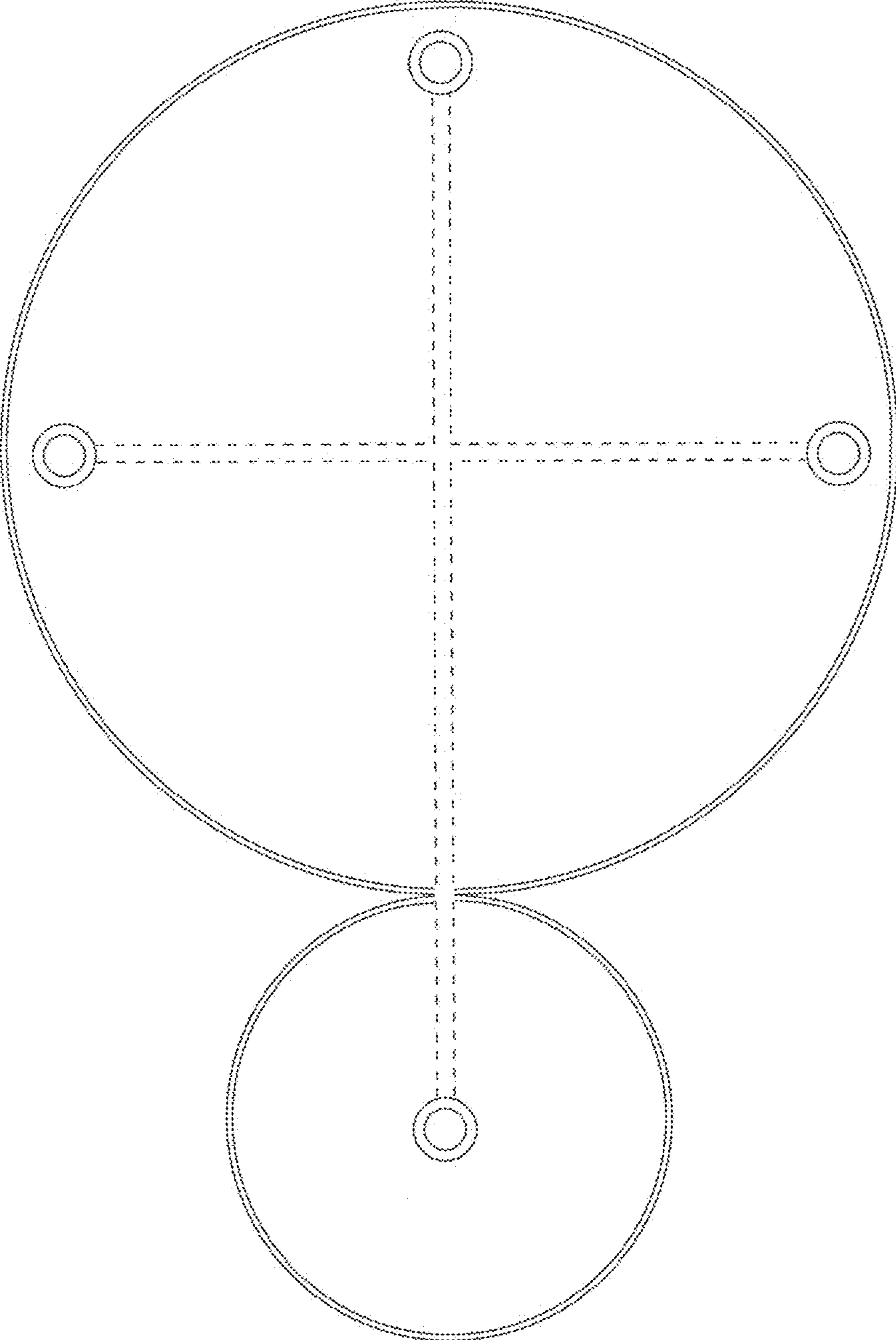


FIG. 4

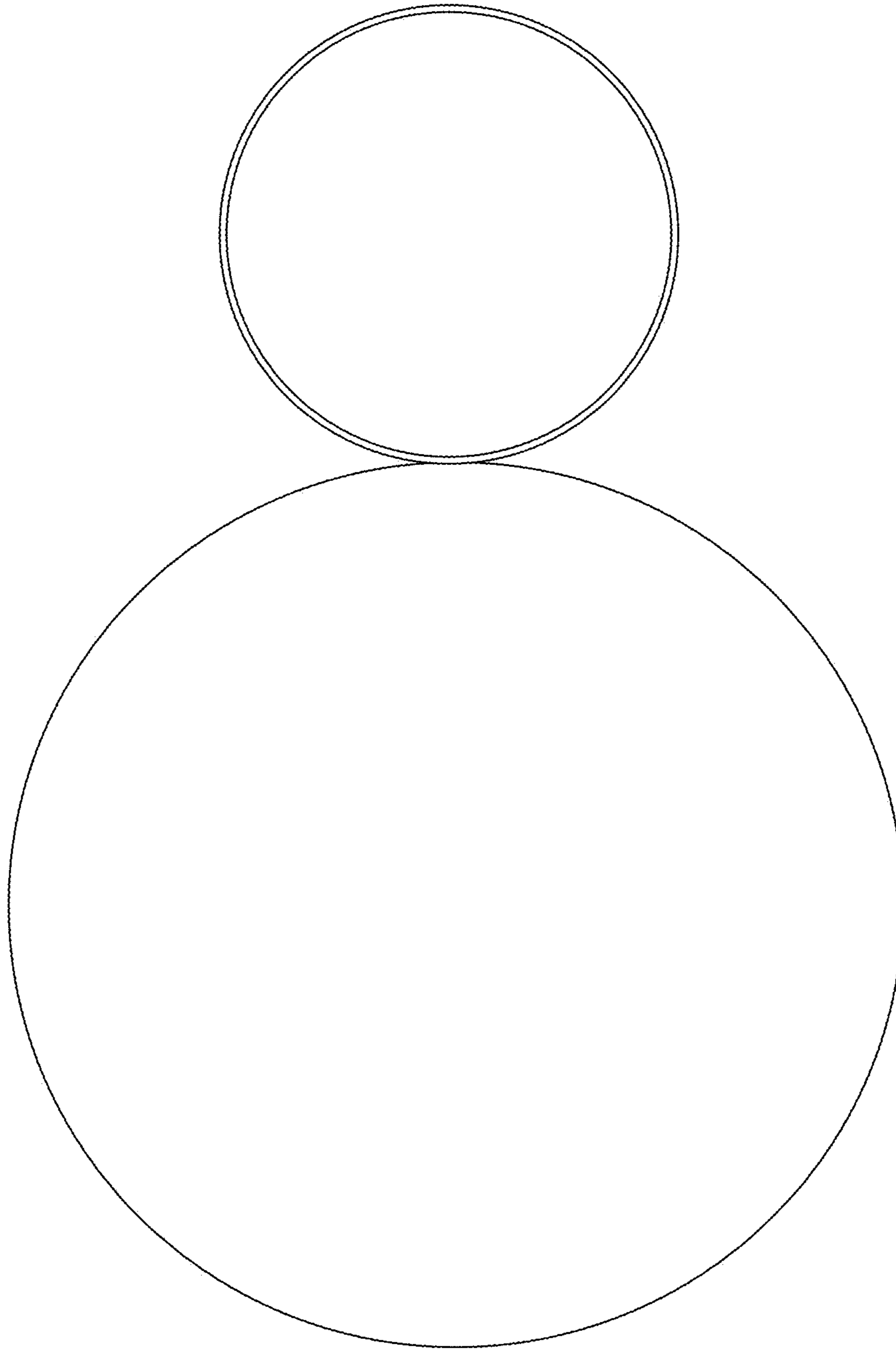


FIG. 5

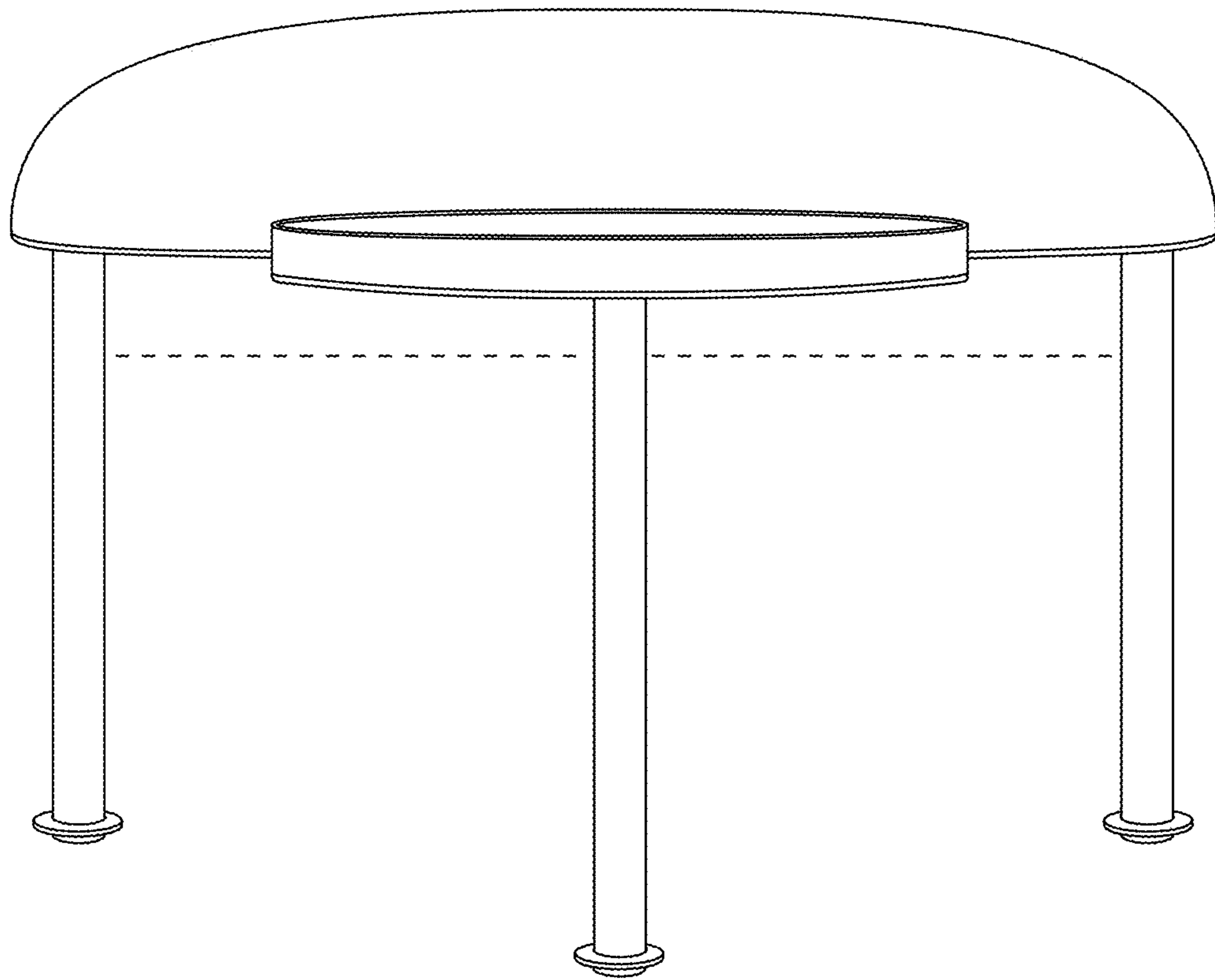


FIG. 6

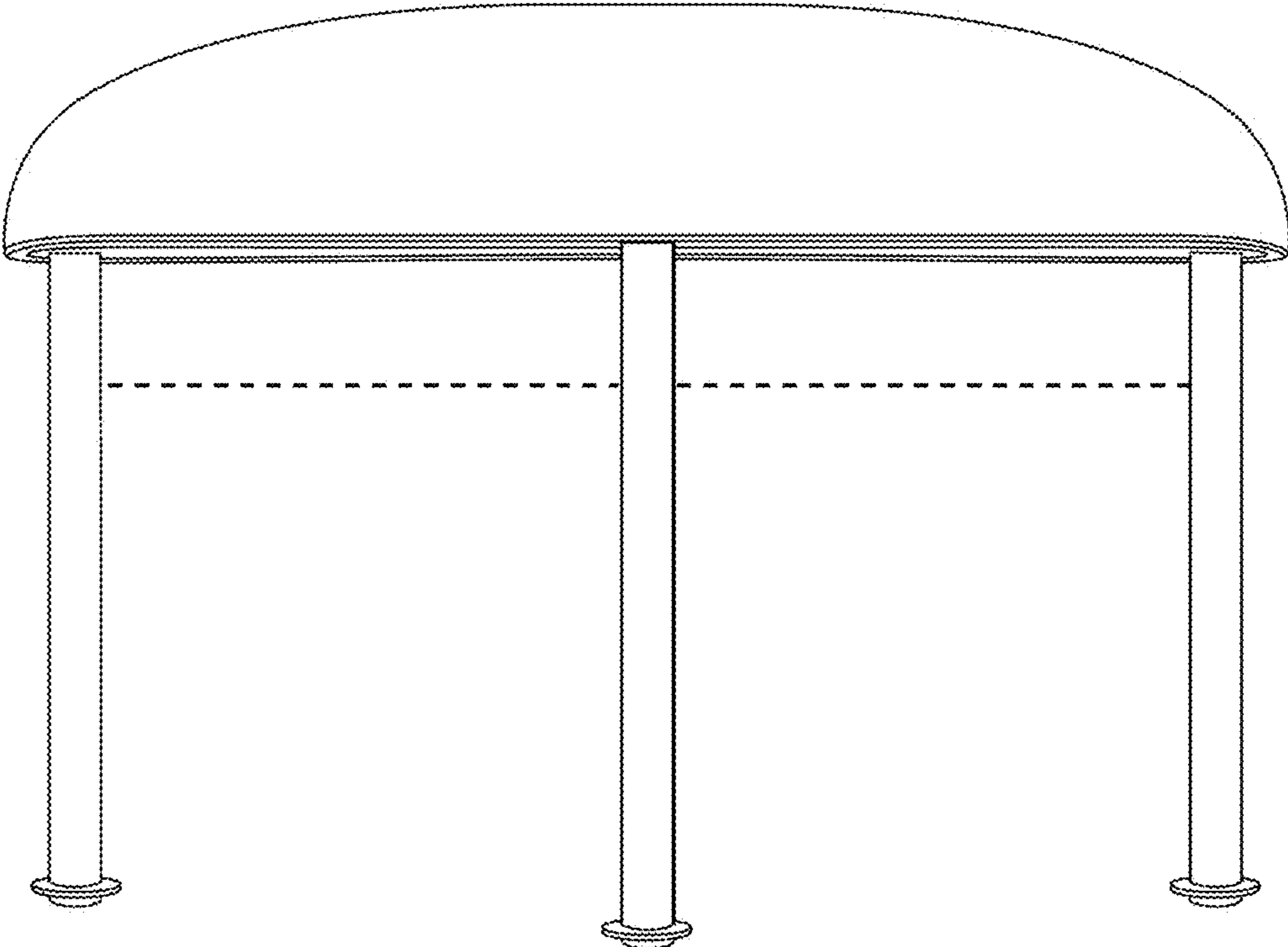


FIG. 7