



US00D985946S

(12) **United States Design Patent** (10) **Patent No.:** **US D985,946 S**
Wu (45) **Date of Patent:** **** May 16, 2023**

(54) **FACIAL CLEANER**

FOREIGN PATENT DOCUMENTS

(71) Applicant: **ZHONGSHAN QIKU ELECTRONIC TECHNOLOGY CO., LTD.**,
Zhongshan (CN)

CN 307121800 * 2/2022
EM 008687644-0001 * 9/2021

(72) Inventor: **Lianzheng Wu**, Yongzhou (CN)

OTHER PUBLICATIONS

(73) Assignee: **ZHONGSHAN QIKU ELECTRONIC TECHNOLOGY CO., LTD.**,
Zhongshan (CN)

Electric Facial Cleaning Brush, earliest revision Mar. 16, 2022 [online], [retrieved Feb. 27, 2023]. Retrieved from internet, <https://www.ebay.com/itm/313913475286> (Year: 2022).*

(**) Term: **15 Years**

(Continued)

(21) Appl. No.: **29/808,141**

Primary Examiner — Alison M Ofstun

(22) Filed: **Sep. 17, 2021**

Assistant Examiner — Evin F Ershock

(51) **LOC (14) Cl.** **28-03**

(74) *Attorney, Agent, or Firm* — Nitin Kaushik

(52) **U.S. Cl.**

USPC **D4/102; D28/9**

(57) **CLAIM**

(58) **Field of Classification Search**

USPC D4/100, 119, 120, 127, 128, 130, 132,
D4/134, 137, 199; D24/200, 214, 215;
D28/9, 63, 73; D32/35, 40, 43

The ornamental design for a facial cleaner, as shown and described.

CPC .. A46B 1/00; A46B 3/00; A46B 3/005; A46B 3/02; A46B 3/04; A46B 3/20; A46B 3/22; A46B 5/00; A46B 5/002; A46B 5/0025; A46B 5/0029; A46B 5/0033; A46B 5/0037; A46B 5/0054; A46B 5/0062; A46B 5/0066; A46B 5/0095; A46B 5/02; A46B 5/021; A46B 7/00; A46B 7/06; A46B 7/10; A46B 9/00; A46B 9/005; A46B 9/02; A46B 9/021; A46B 9/023; A46B 9/026; A46B 9/028; A46B 13/00; A46B 13/001; A46B 13/02; A46B 13/023; A46B 13/08;

DESCRIPTION

FIG. 1 is a perspective view of a facial cleaner showing my new design;
FIG. 2 is another perspective view thereof;
FIG. 3 is a front elevational view thereof;
FIG. 4 is a rear elevational view thereof;
FIG. 5 is a left side elevational view thereof;
FIG. 6 is a right side elevational view thereof;
FIG. 7 is a top plan view thereof;
FIG. 8 is a bottom plan view thereof;
FIG. 9 is an enlarged view of portion 9 shown in FIG. 1; and,
FIG. 10 is an enlarged view of portion 10 shown in FIG. 1.
The dash-dash broken lines in the drawings depict portions of the facial cleaner that form no part of the claimed design. The dot-dash broken lines represent boundaries of the enlarged portions and form no part of the claimed design.

(Continued)

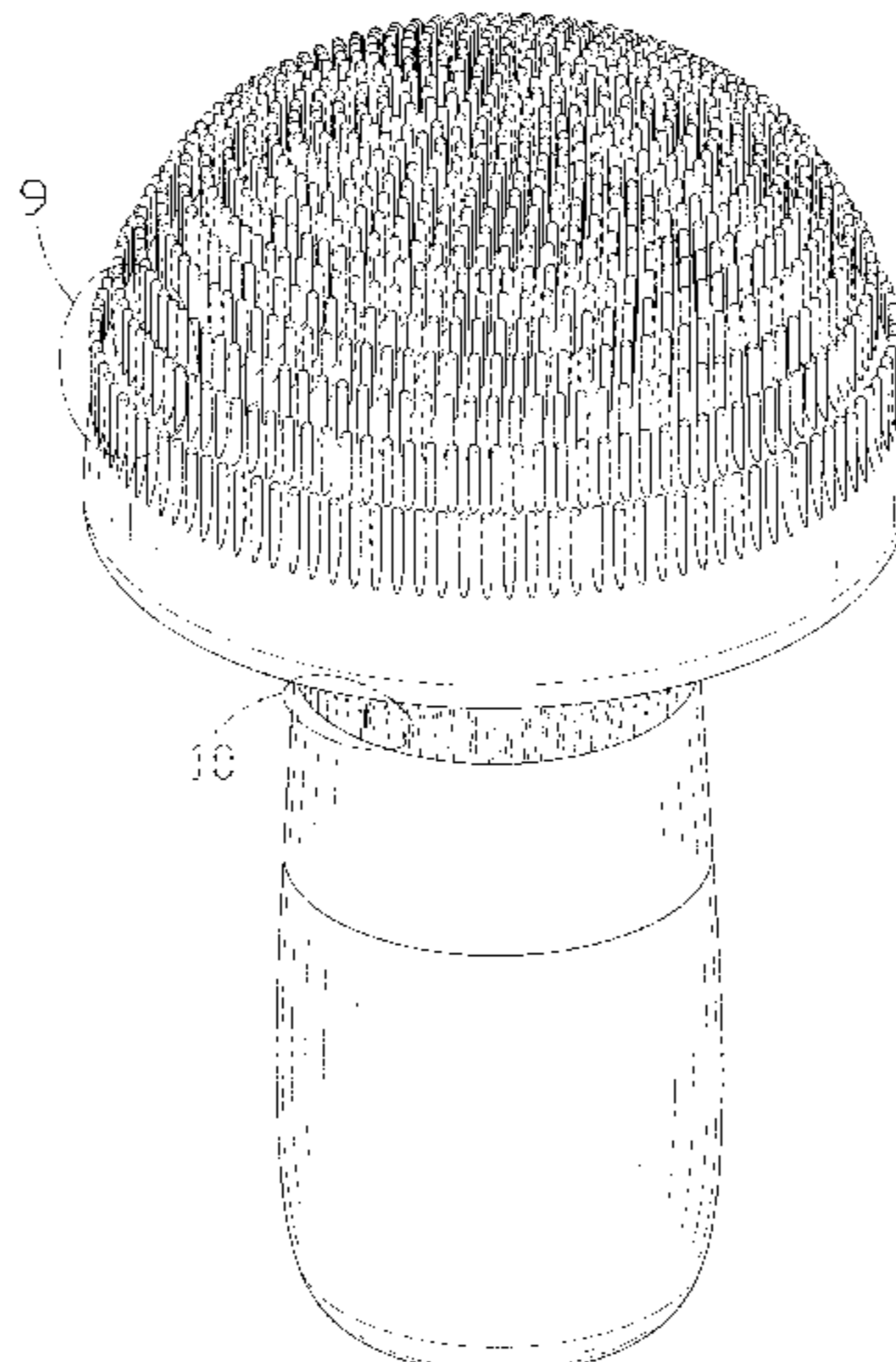
(56) **References Cited**

U.S. PATENT DOCUMENTS

D64,276 S * 3/1924 Williams A46B 17/06
D4/127
D520,244 S * 5/2006 Huller D4/124

(Continued)

1 Claim, 10 Drawing Sheets



(58) **Field of Classification Search**

CPC . A46B 15/00; A46B 15/0002; A46B 15/0016;
A46B 2200/00; A46B 2200/10; A46B
2200/1006; A46B 2200/102; A46B
2200/30; A45D 2200/1054

See application file for complete search history.

D964,582 S * 9/2022 Chengen D24/214
D965,304 S * 10/2022 Schreiber D28/63
D968,818 S * 11/2022 Ernest D4/138

OTHER PUBLICATIONS

Cleansing brush, posting date unknown [online], [retrieved Feb. 27, 2023]. Retrieved from internet, <https://www.walmart.com/ip/Cleansing-brush-electric-face-wash-brush-for-men-and-women-waterproof-anti-aging-massager-facial-exfoliating-brush/1726356407> (Year: 2023).*
Electric facial cleansing brush, posting date unknown [online], [retrieved Feb. 27, 2023]. Retrieved from internet, <https://www.fruugo.us/electric-facial-cleansing-brush-ultrasonic-cleaner/p-117658571-247204924> (Year: 2023).*
Beauty machine 3in1 facial cleansing brush, posting date unknown [online], [retrieved Feb. 27, 2023]. Retrieved from internet, https://www.alibaba.com/product-detail/beauty-machine-3in1-facial-cleansing-brush_1600581702474.html (Year: 2023).*

(56) **References Cited**

U.S. PATENT DOCUMENTS

D521,738 S * 5/2006 Huller D4/127
D802,307 S * 11/2017 Peterson D4/127
D843,735 S * 3/2019 Jinadu D4/138
D927,189 S * 8/2021 Li D4/100
D946,830 S * 3/2022 Schroder D28/63
D946,849 S * 3/2022 Blechschmidt D32/43
D952,949 S * 5/2022 Schroder D28/63

* cited by examiner

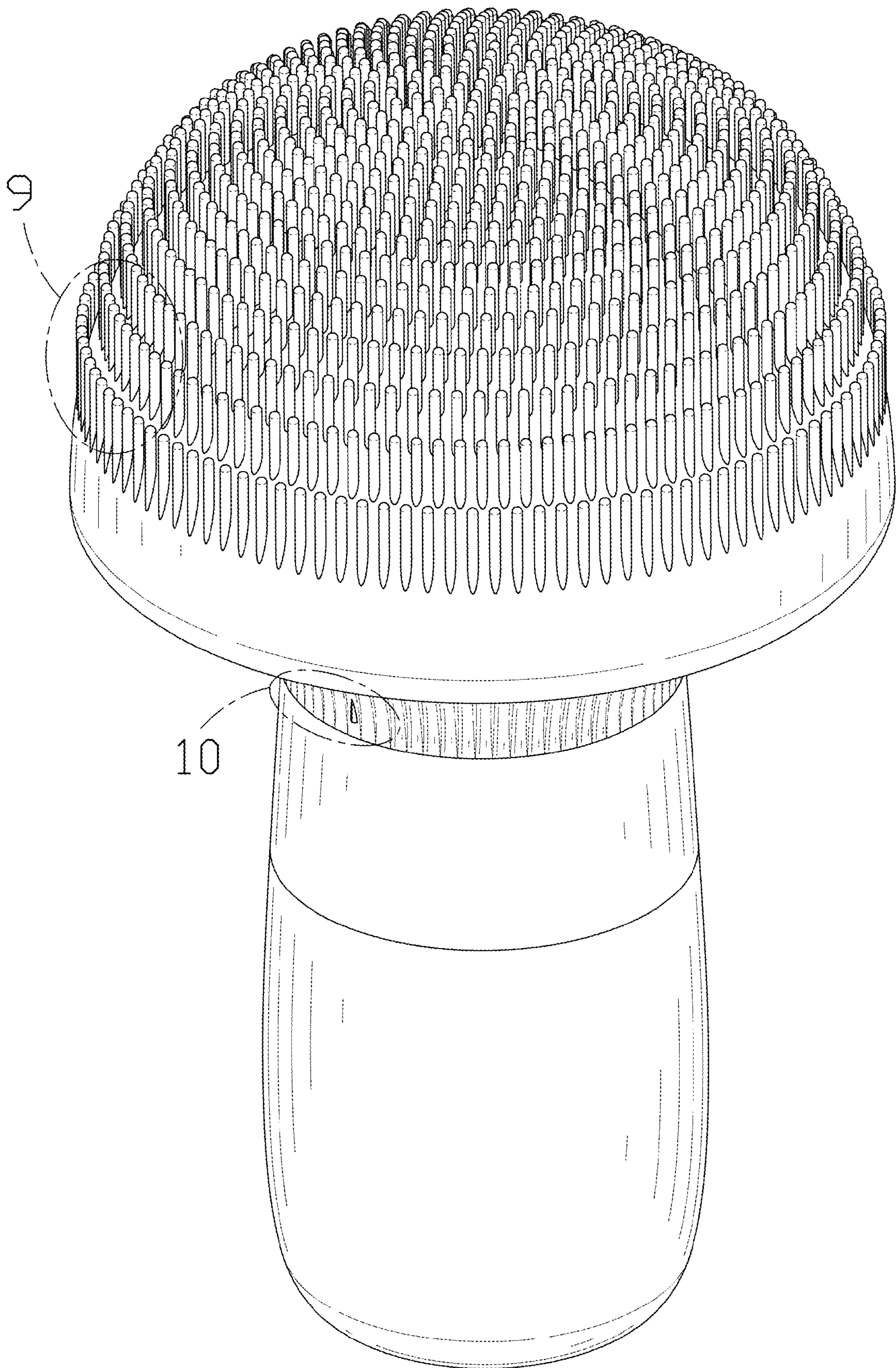


FIG. 1

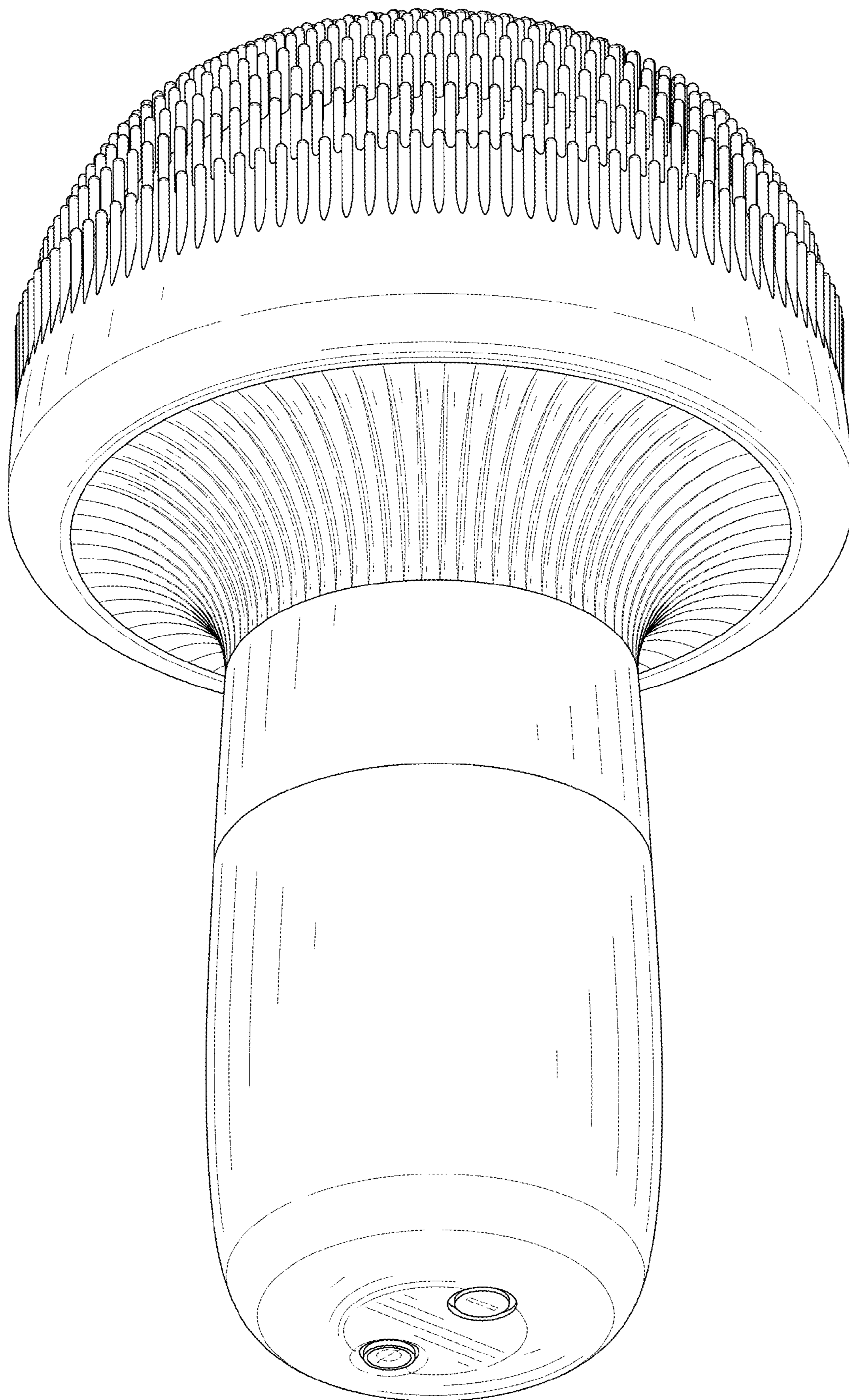


FIG. 2

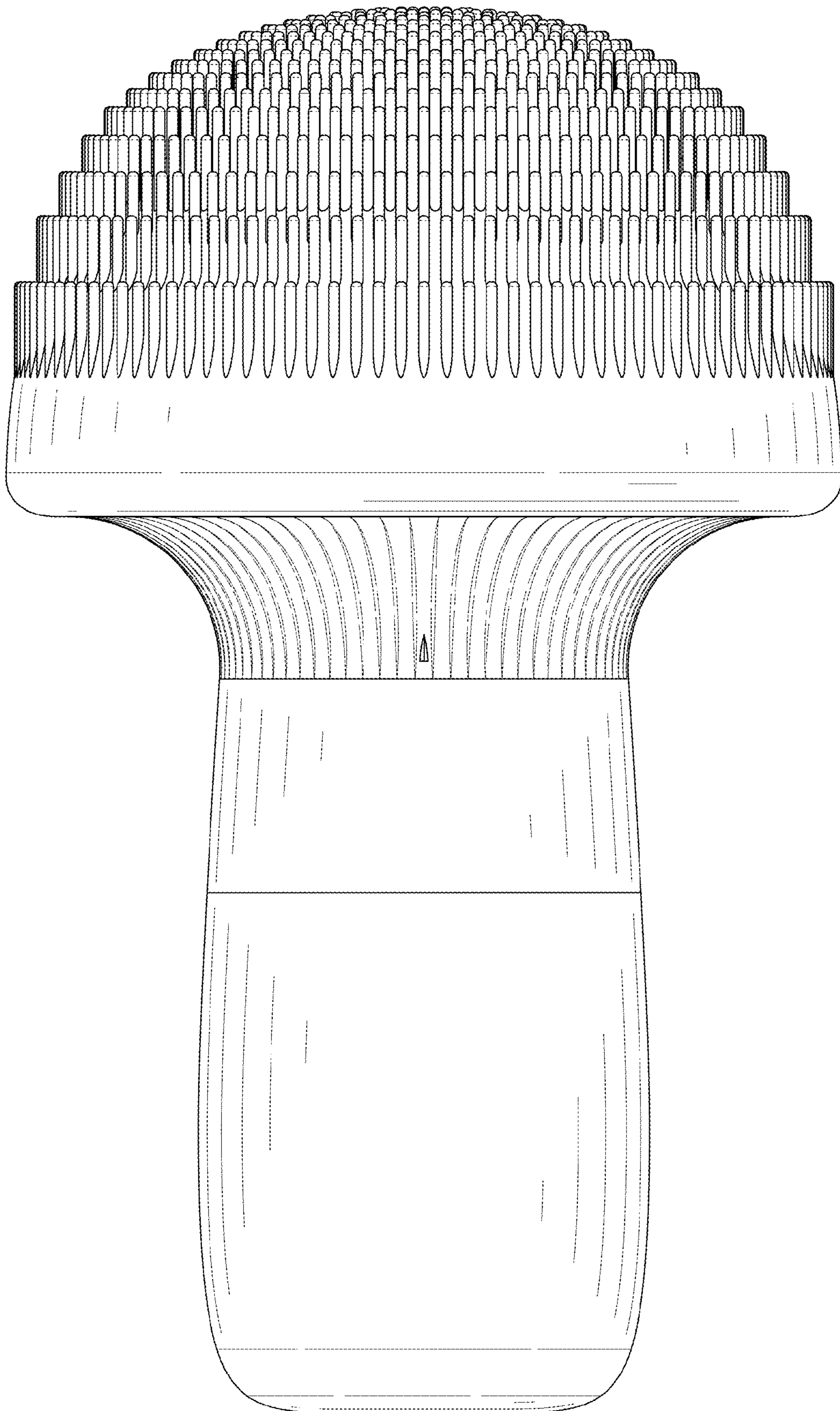


FIG. 3

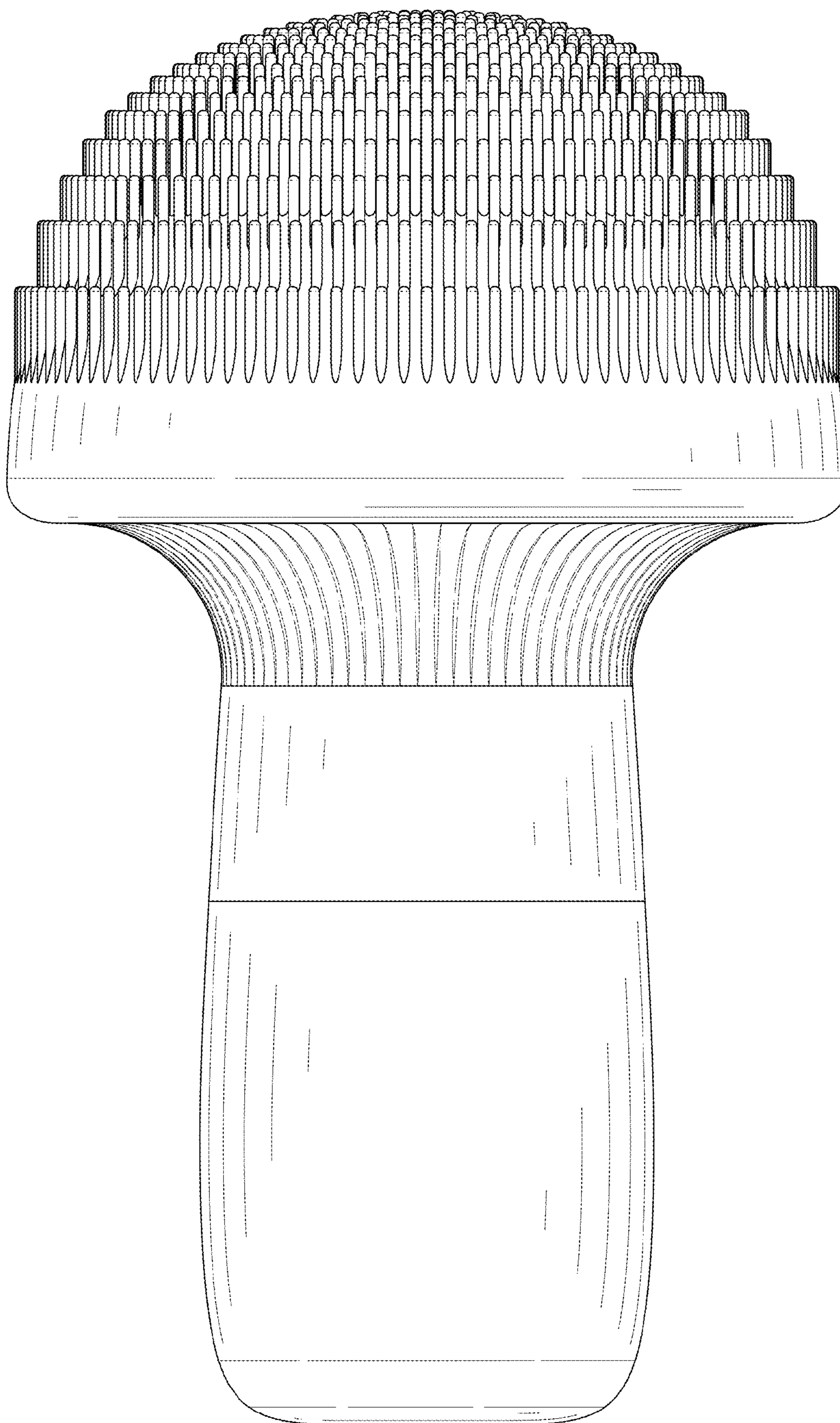


FIG. 4

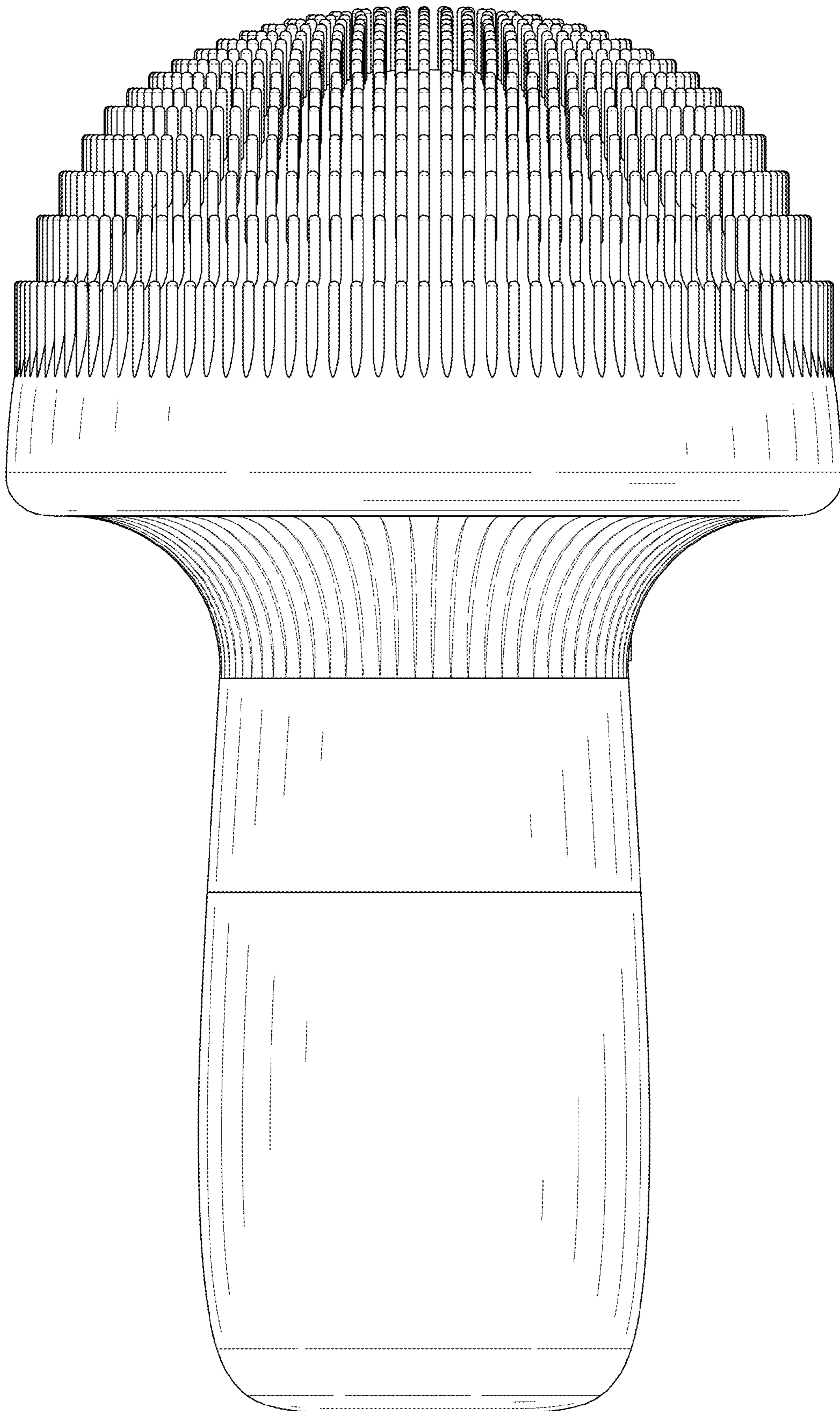


FIG. 5

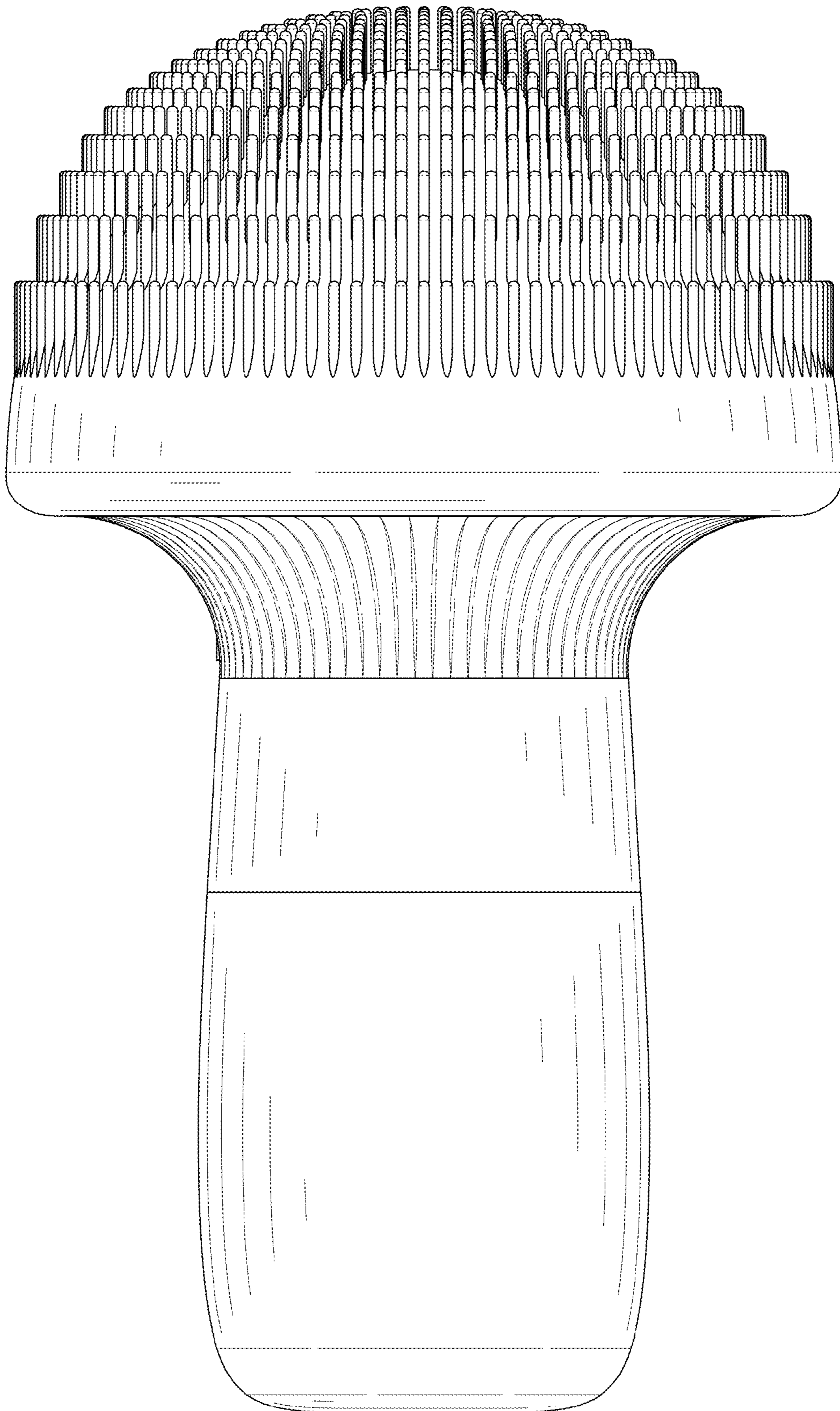


FIG. 6

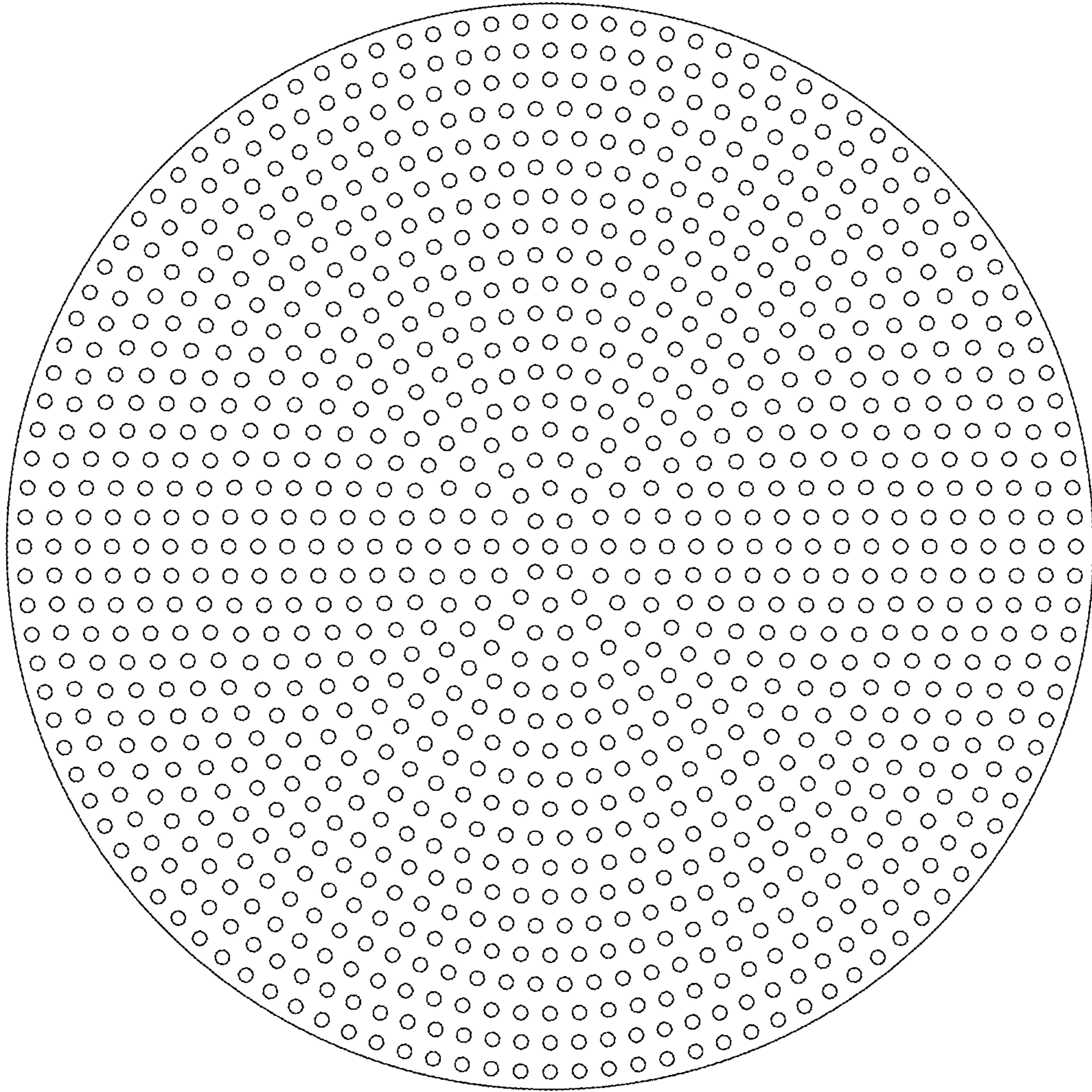


FIG. 7

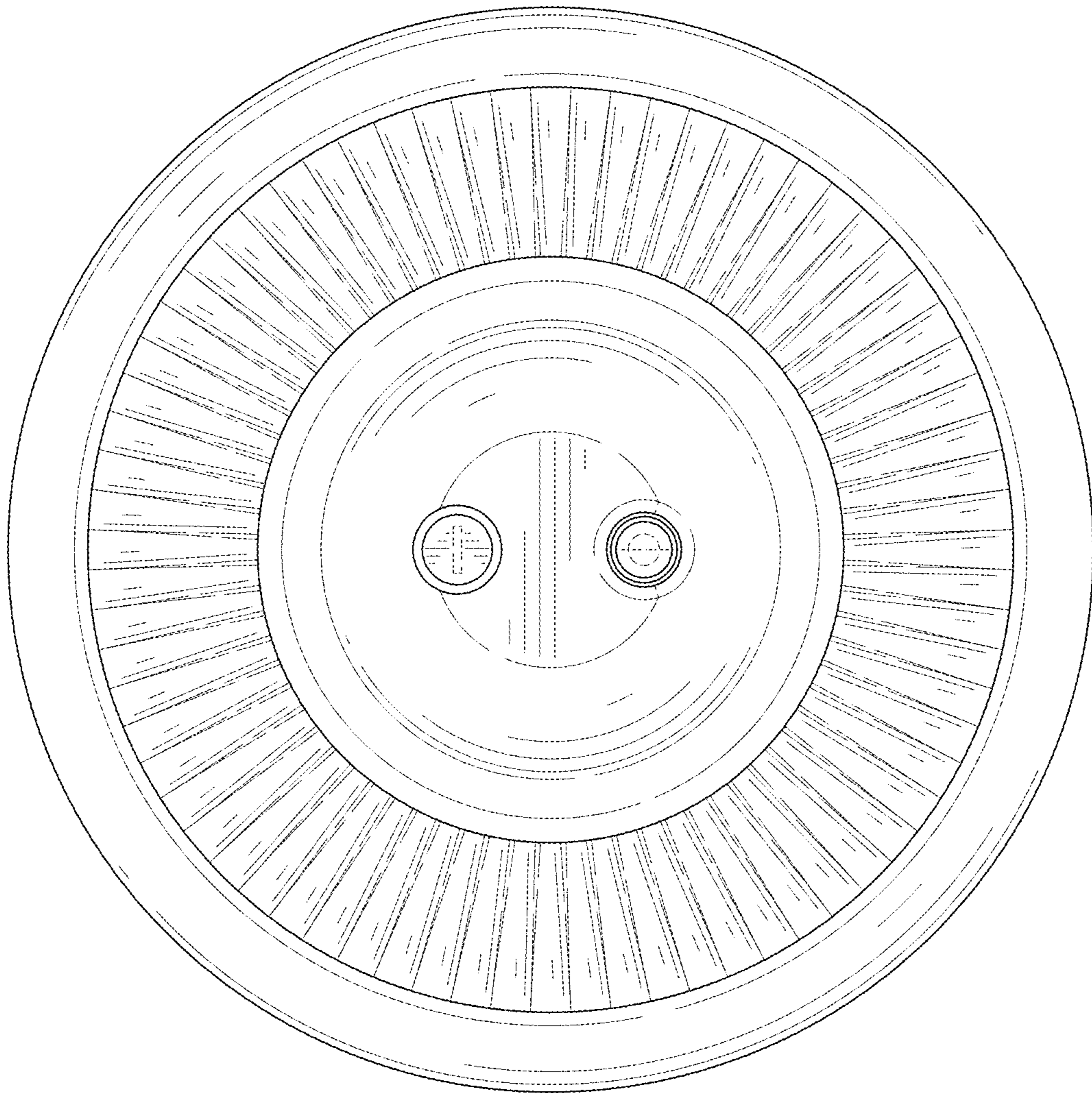


FIG. 8

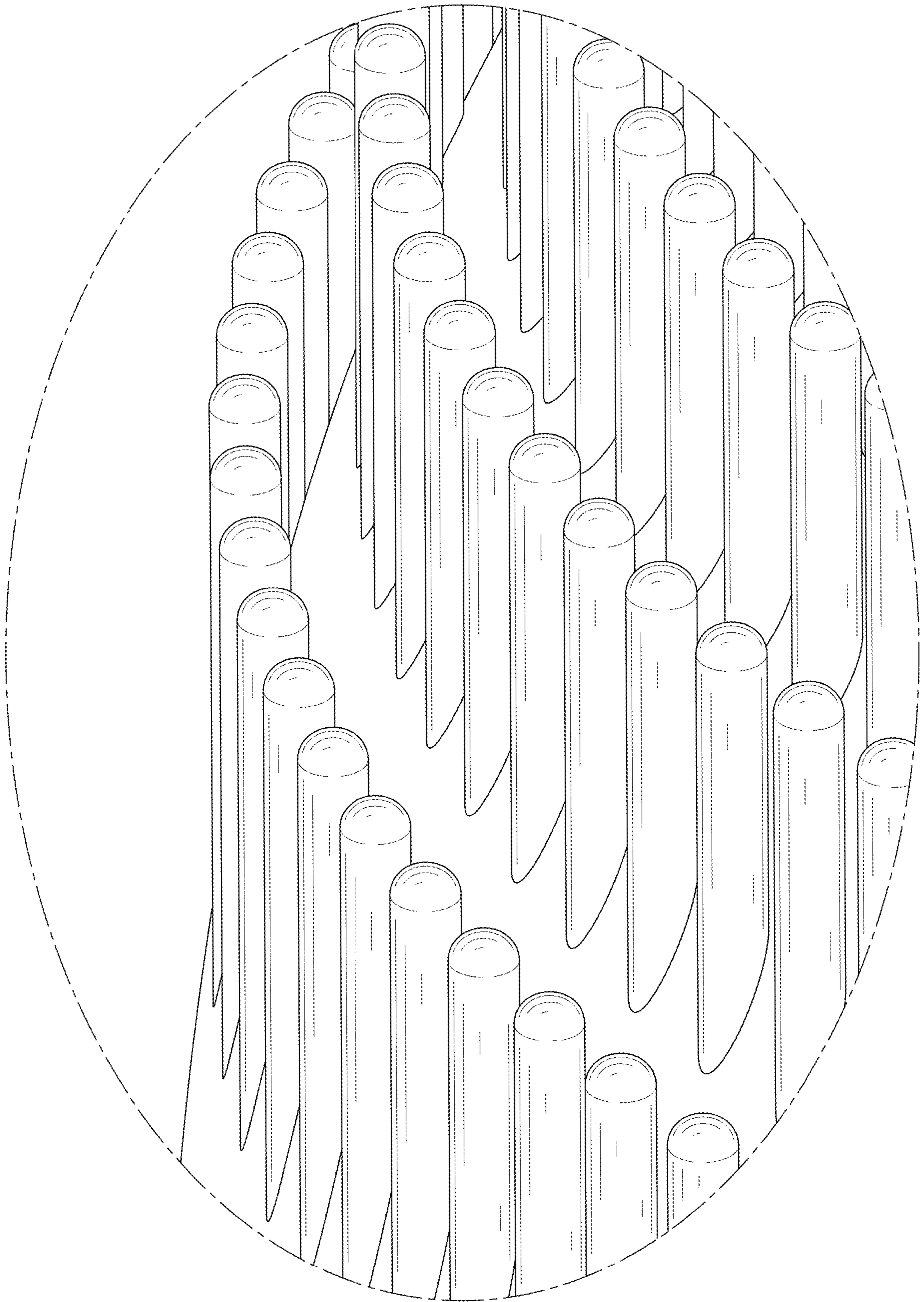


FIG. 9

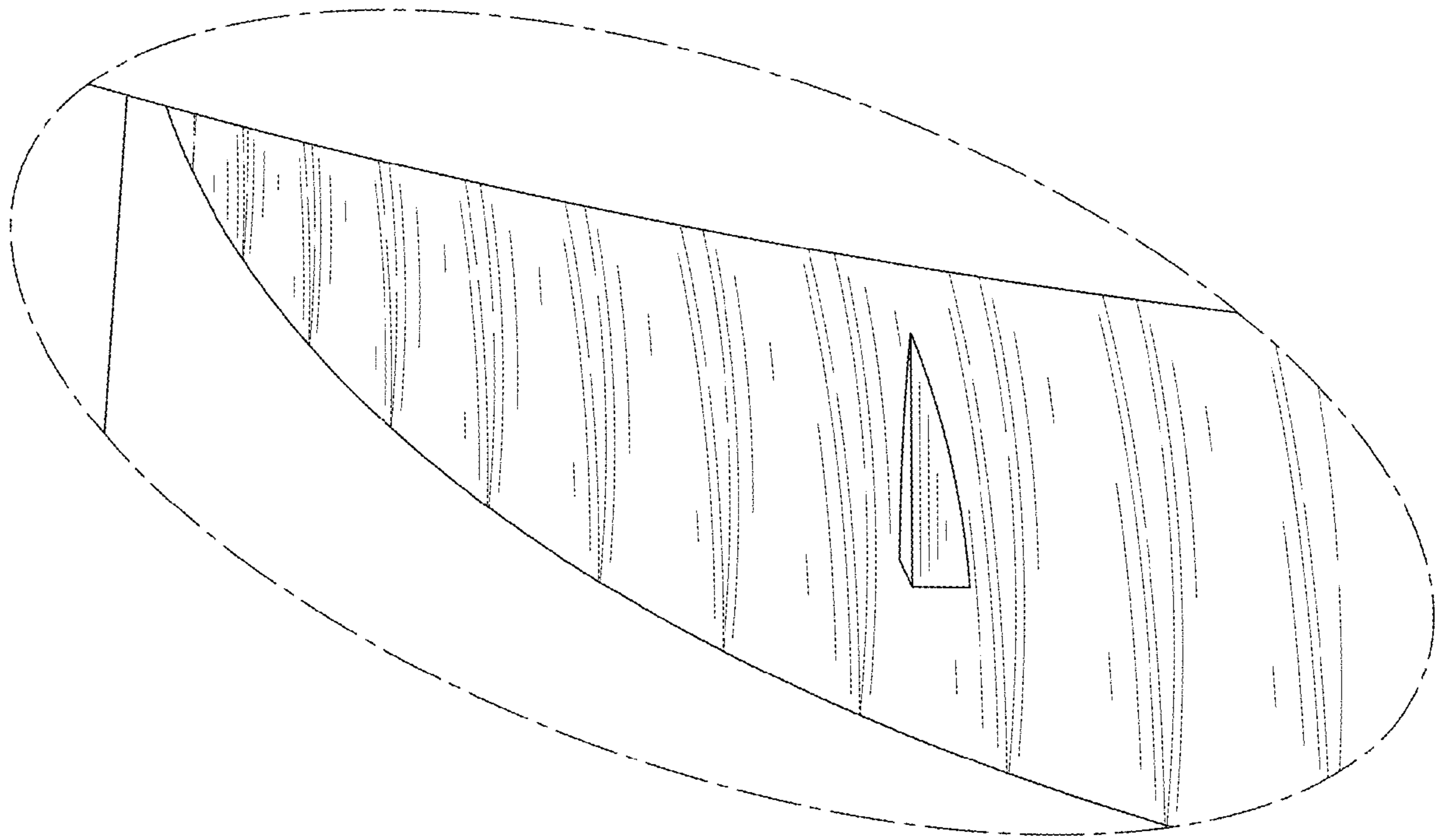


FIG. 10