



US00D985941S

(12) **United States Design Patent** (10) **Patent No.:** **US D985,941 S**
Kraemer (45) **Date of Patent:** **** *May 16, 2023**

(54) **ORGANIZER**

(71) Applicant: **InterDesign, Inc.**, Solon, OH (US)

(72) Inventor: **Kevin Francis Kraemer**, Cuyahoga Falls, OH (US)

(73) Assignee: **InterDesign, Inc.**, Solon, OH (US)

(*) Notice: This patent is subject to a terminal disclaimer.

(**) Term: **15 Years**

(21) Appl. No.: **29/823,725**

(22) Filed: **Jan. 19, 2022**

Related U.S. Application Data

(63) Continuation of application No. 29/733,375, filed on May 1, 2020, which is a continuation-in-part of application No. 29/680,170, filed on Feb. 14, 2019, now Pat. No. Des. 900,476, and a continuation-in-part of application No. 29/664,836, filed on Sep. 28, 2018, now Pat. No. Des. 954,463, which is a continuation-in-part of application No. 16/112,078, filed on Aug. 24, 2018, now Pat. No. 10,786,075, said application No. 29/733,375 is a continuation-in-part of application No. 29/639,858, filed on Mar. 9, 2018, now abandoned, and a continuation-in-part of
(Continued)

(51) **LOC (14) Cl.** **03-01**

(52) **U.S. Cl.**
USPC **D3/304**

(58) **Field of Classification Search**
USPC D3/304-314; D6/513-515, 518, 520, D6/553; D7/637-641
CPC . B65D 1/00; B65D 1/22; B65D 21/00; B65D 81/3813

See application file for complete search history.

(56) **References Cited**

U.S. PATENT DOCUMENTS

3,479,105 A 11/1969 Farren
D327,503 S 6/1992 Szablak et al.
(Continued)

FOREIGN PATENT DOCUMENTS

CN 306996417 * 12/2021

OTHER PUBLICATIONS

iDesign Plastic Refrigerator and Freezer Storage Organizer Bin, first available May 25, 2011, amazon.com [online], [site visited Aug. 9, 2022], Available at URL: <https://www.amazon.com/InterDesign-Refrigerator-Soda-Can-Organizer/dp/B0052WG18G> (Year: 2011).*
(Continued)

Primary Examiner — Jeffrey D Asch
Assistant Examiner — Caitlin A Laverty

(74) *Attorney, Agent, or Firm* — Calfee, Halter & Griswold LLP

(57) **CLAIM**

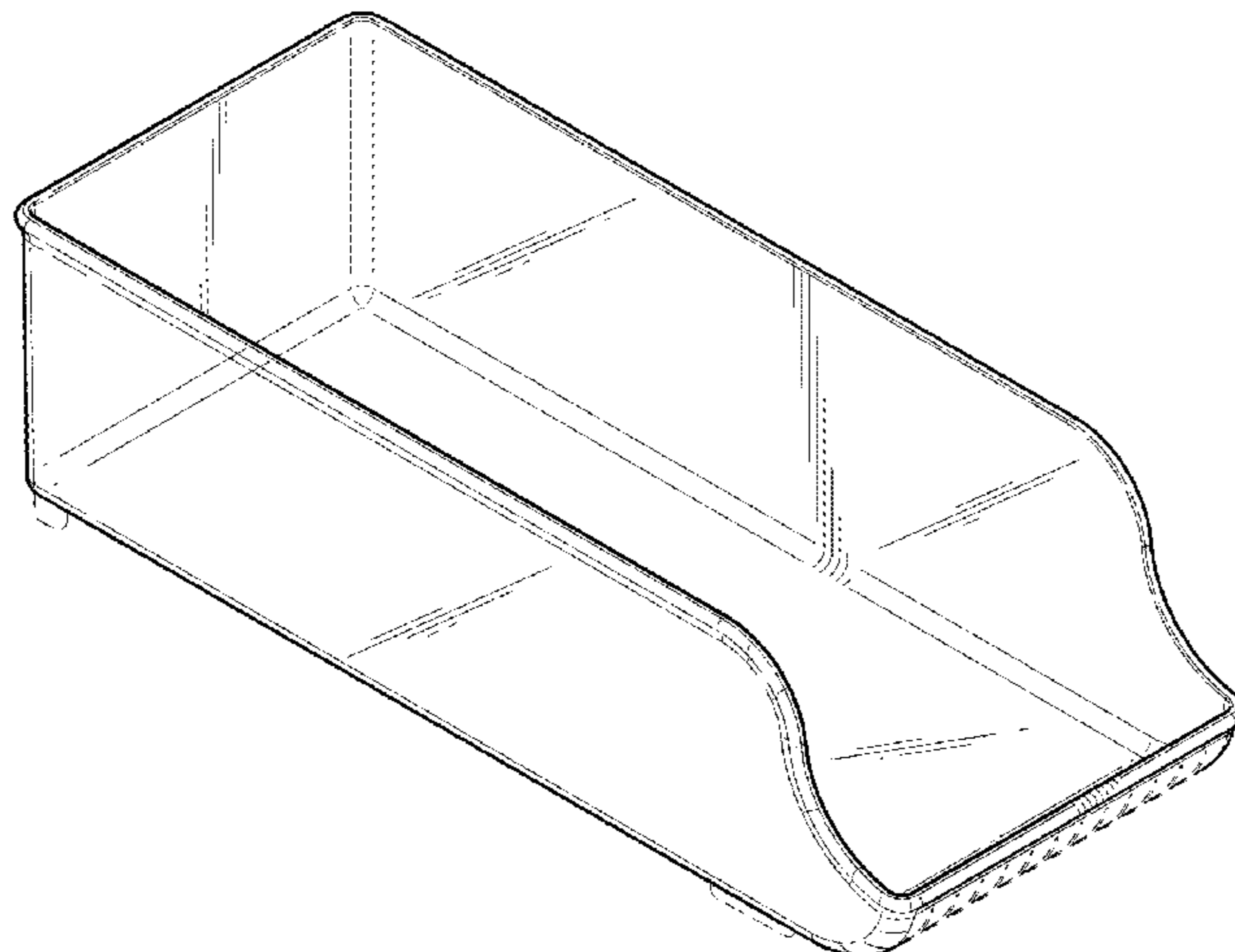
I claim the ornamental design for an organizer, as shown and described.

DESCRIPTION

FIG. 1 is a front/left/top perspective view of an organizer; FIG. 2 is a rear/right/bottom perspective view thereof; FIG. 3 is a front elevational view thereof; FIG. 4 is a rear elevational view thereof; FIG. 5 is a right side elevational view thereof (a left side elevational view would be a mirror image thereof); FIG. 6 is a top plan view thereof; and, FIG. 7 is a bottom plan view thereof.

The uniformly broken lines represent portions of the organizer that form no part of the claimed design. The broken line ribs and feet that form boundaries to the claim on the bottom surface have not been shown through the transparent

(Continued)



bottom in FIGS. 1 and 6 to more clearly show the nature and appearance of the inside surface.

1 Claim, 5 Drawing Sheets

Related U.S. Application Data

application No. 29/636,775, filed on Feb. 12, 2018, now abandoned, said application No. 29/680,170 is a continuation-in-part of application No. 29/602,126, filed on Apr. 28, 2017, now abandoned, and a continuation-in-part of application No. 29/585,140, filed on Nov. 21, 2016, now abandoned, said application No. 29/636,775 is a continuation of application No. 29/544,496, filed on Nov. 4, 2015, now Pat. No. Des. 809,806, said application No. 29/602,126 is a continuation of application No. 29/492,902, filed on Jun. 4, 2014, now Pat. No. Des. 787,922, which is a continuation of application No. 29/416,358, filed on Mar. 21, 2012, now Pat. No. Des. 709,289.

D342,852 S	1/1994	Welch	
5,482,342 A	1/1996	Kowalski et al.	
5,788,117 A	8/1998	Zimmanck	
D455,460 S	4/2002	Cheris et al.	
D468,733 S	1/2003	Narducci et al.	
7,000,826 B2 *	2/2006	Billings	A47G 29/12097 232/29
D543,400 S	5/2007	Ho	
D547,973 S *	8/2007	Brown	D3/313
D639,562 S *	6/2011	Cadwell	D3/307
D660,058 S *	5/2012	Kincaid	D6/705
D669,540 S	10/2012	Hu	
D709,289 S	7/2014	Kraemer	
D786,556 S *	5/2017	Jones	D3/304
D833,771 S *	11/2018	Gawlik	D6/553
D887,746 S *	6/2020	Kraemer	D6/515
D913,694 S *	3/2021	Kraemer	D19/92
D945,888 S *	3/2022	Dai	D9/737
D963,341 S *	9/2022	Kraemer	D3/304
D970,318 S *	11/2022	Shen	D3/313
D975,467 S *	1/2023	Kraemer	D3/304
D978,533 S *	2/2023	Dai	B65D 43/0202 D3/307
2002/0109005 A1 *	8/2002	Billings	A47G 29/12097 232/29

(56)

References Cited

U.S. PATENT DOCUMENTS

D334,593 S	4/1993	Evenson
D335,505 S	5/1993	Chan

OTHER PUBLICATIONS

Notice of Allowance from U.S. Appl. No. 29/416,358 dated Mar. 4, 2014, 7 pages.

* cited by examiner

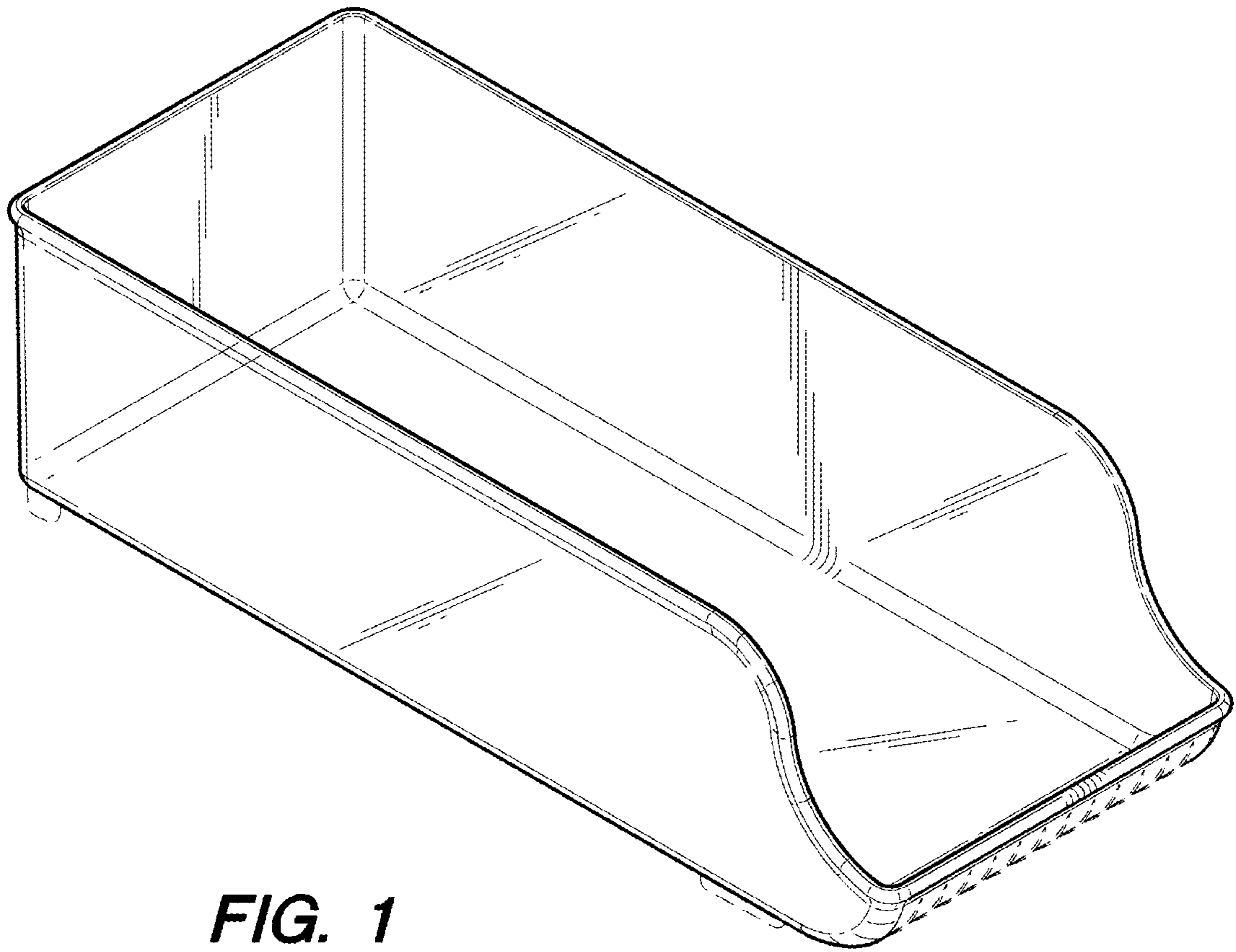


FIG. 1

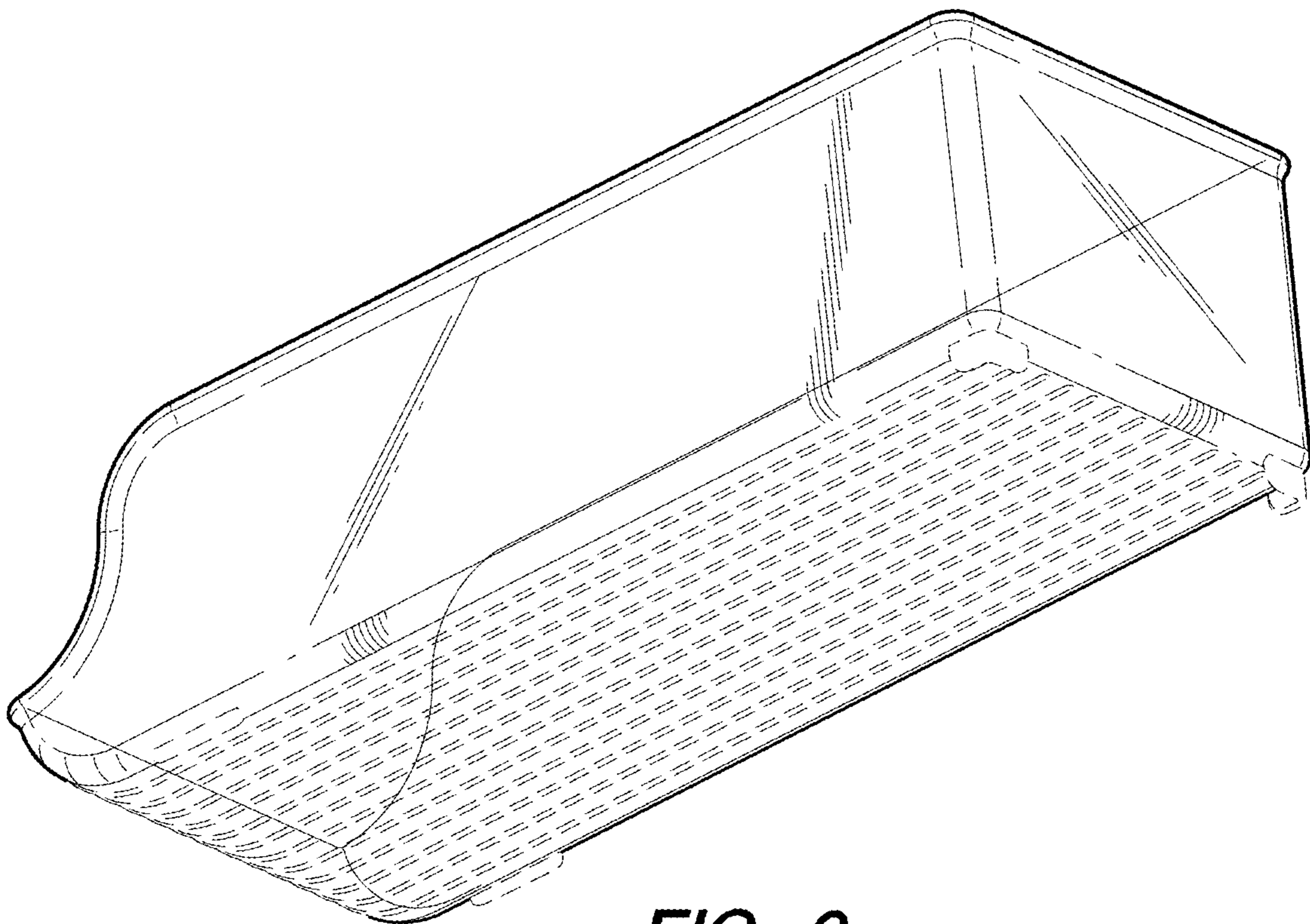


FIG. 2

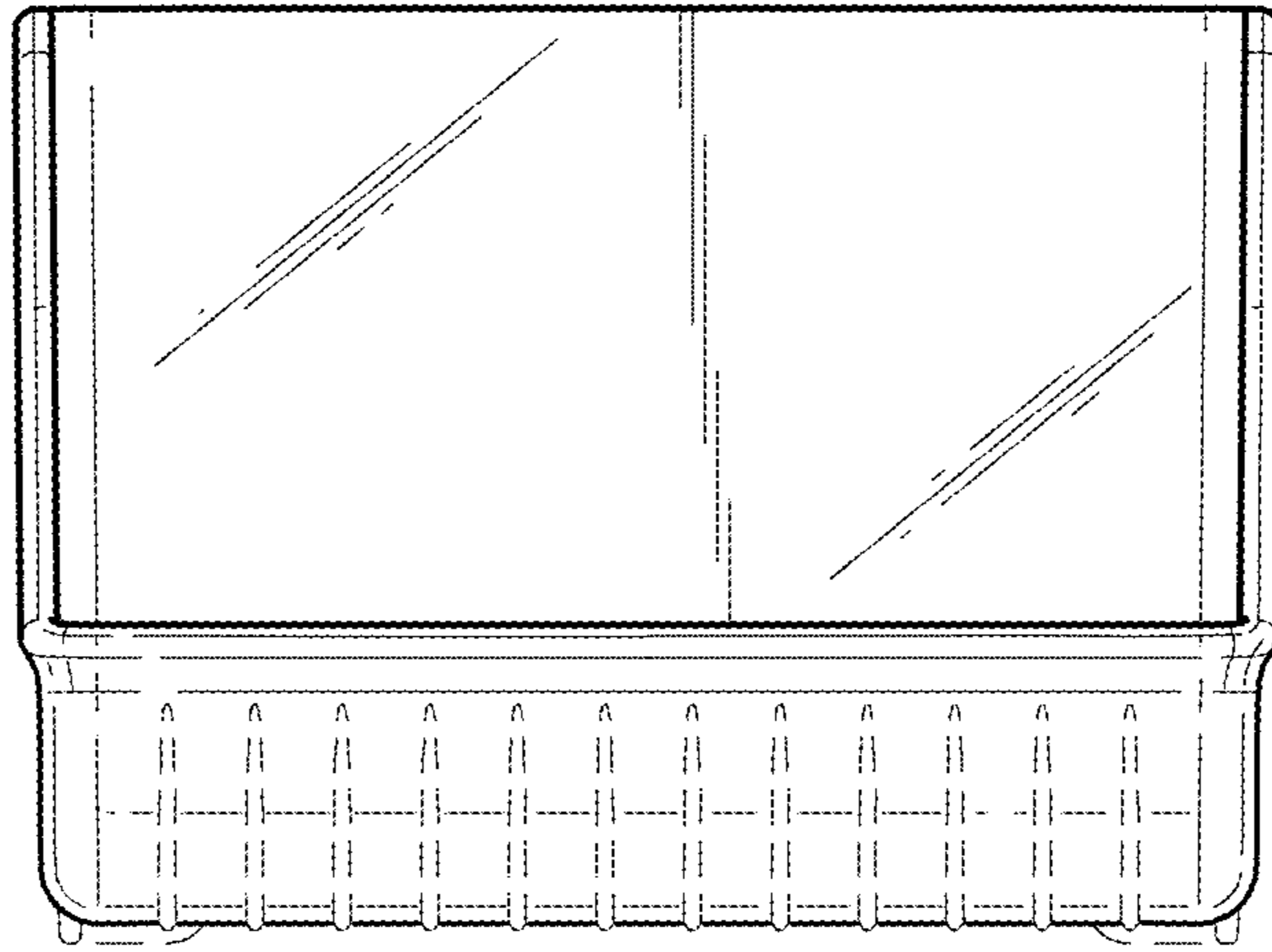


FIG. 3

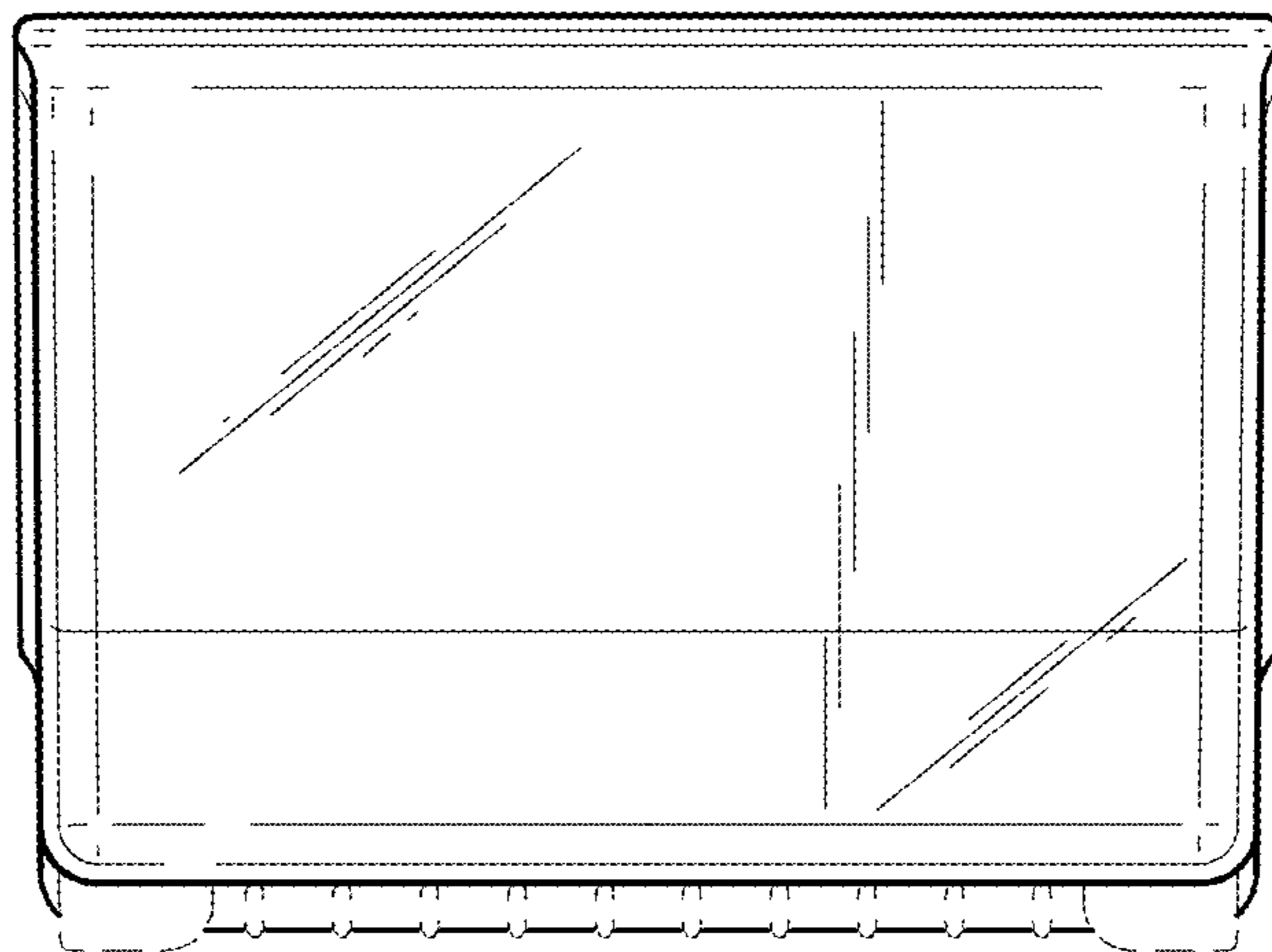


FIG. 4

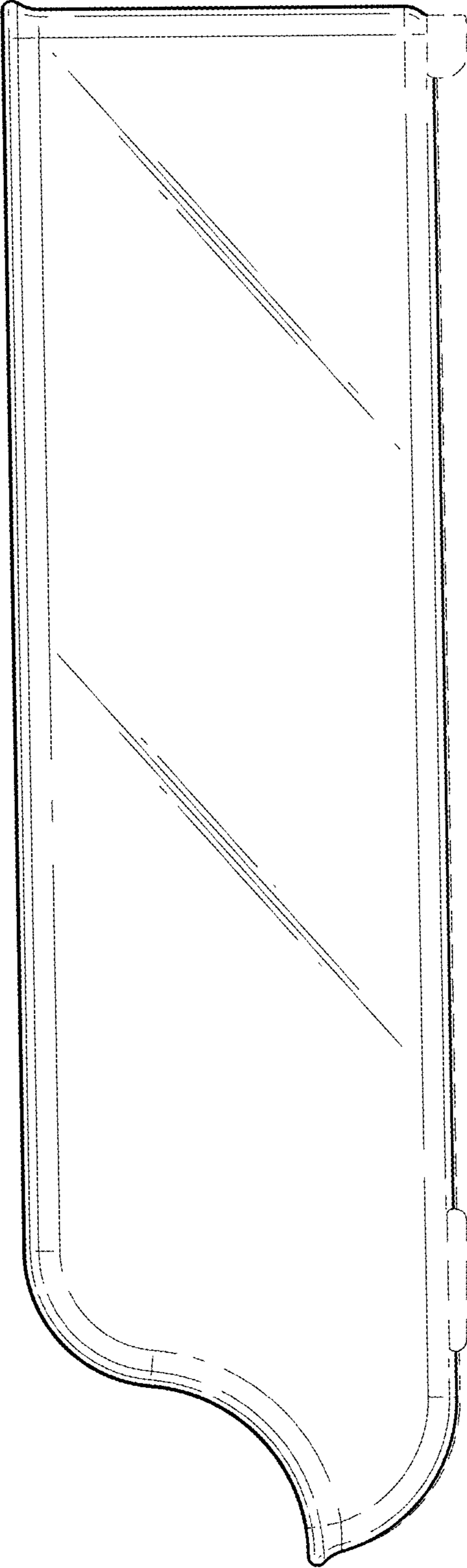


FIG. 5

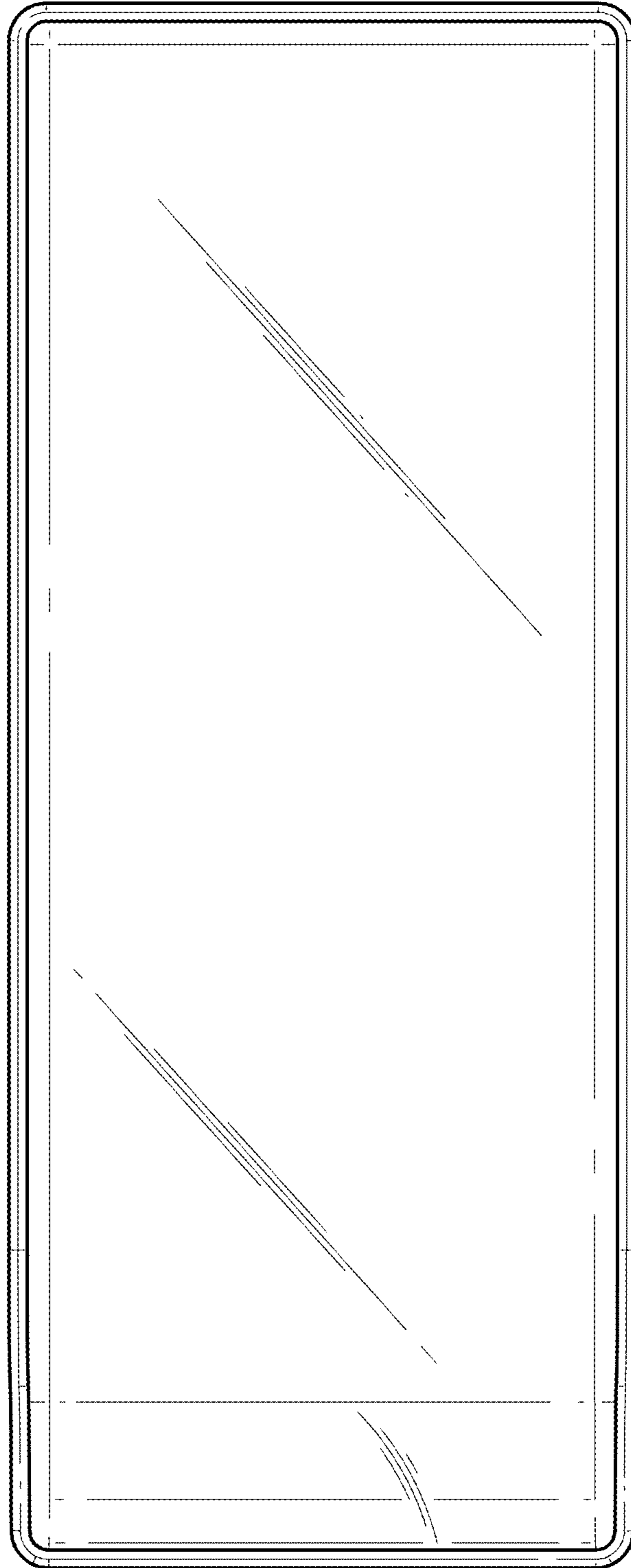


FIG. 6

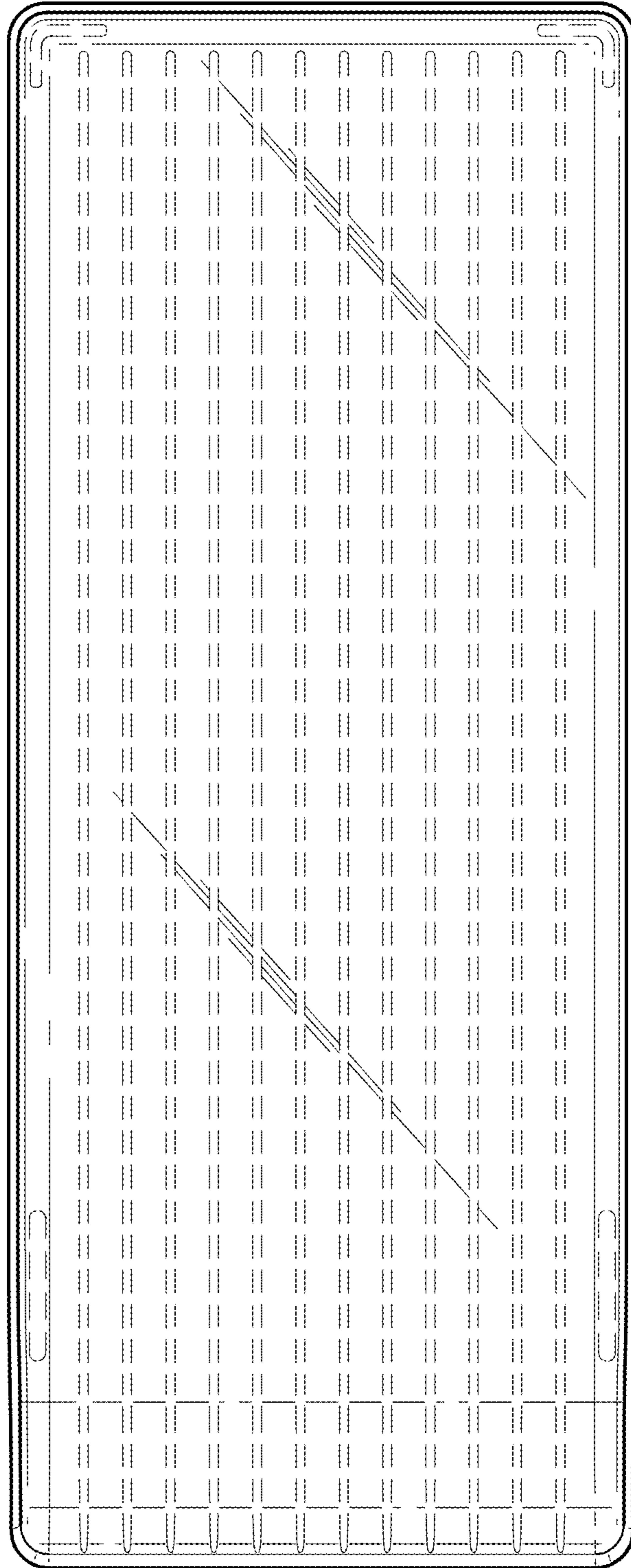


FIG. 7