



US00D985939S

(12) **United States Design Patent** (10) **Patent No.:** **US D985,939 S**  
**Underhill et al.** (45) **Date of Patent:** **\*\* May 16, 2023**

(54) **CASE**  
(71) Applicant: **THE NOCO COMPANY**, Glenwillow, OH (US)  
(72) Inventors: **Derek Michael Underhill**, Tempe, AZ (US); **Jonathan Lewis Nook**, Gates Mills, OH (US)

D808,168 S \* 1/2018 Turczynskyj ..... D3/301  
D832,781 S 11/2018 Nook  
D866,969 S \* 11/2019 Cordani ..... D3/301  
D877,510 S 3/2020 Christen  
D902,587 S \* 11/2020 Zhu ..... D3/294  
D913,758 S \* 3/2021 Diener ..... D7/709  
D922,769 S \* 6/2021 Guo ..... D3/289  
D929,732 S \* 9/2021 Ding ..... D3/273

(Continued)

(73) Assignee: **THE NOCO COMPANY**, Glenwillow, OH (US)

**OTHER PUBLICATIONS**

Amazon, "NOCO GBC102 BoostX EVA Protection Case . . .", First on sale Dec. 28, 2021. (<https://www.amazon.com/NOCO-GBC102-Protection-UltraSafe-Starters/dp/B09P9ZM86Q>) (Year: 2021).\*

(Continued)

(\*\*) Term: **15 Years**

*Primary Examiner* — April Rivas

(21) Appl. No.: **29/761,161**

(74) *Attorney, Agent, or Firm* — Jones Day

(22) Filed: **Dec. 7, 2020**

(51) **LOC (14) Cl.** ..... **03-01**

(52) **U.S. Cl.**  
USPC ..... **D3/285**; D3/289; D3/905

(57) **CLAIM**

The ornamental design for a case, as shown and described.

(58) **Field of Classification Search**  
USPC ..... D7/637, 641; D3/273, 276, 285, 287, D3/283, 289, 301, 901, 903, 206, 291, D3/905; D19/83, 85  
CPC ..... A47G 29/08; A47J 45/02; A45C 11/008; A45C 5/005; A45D 44/18

**DESCRIPTION**

See application file for complete search history.

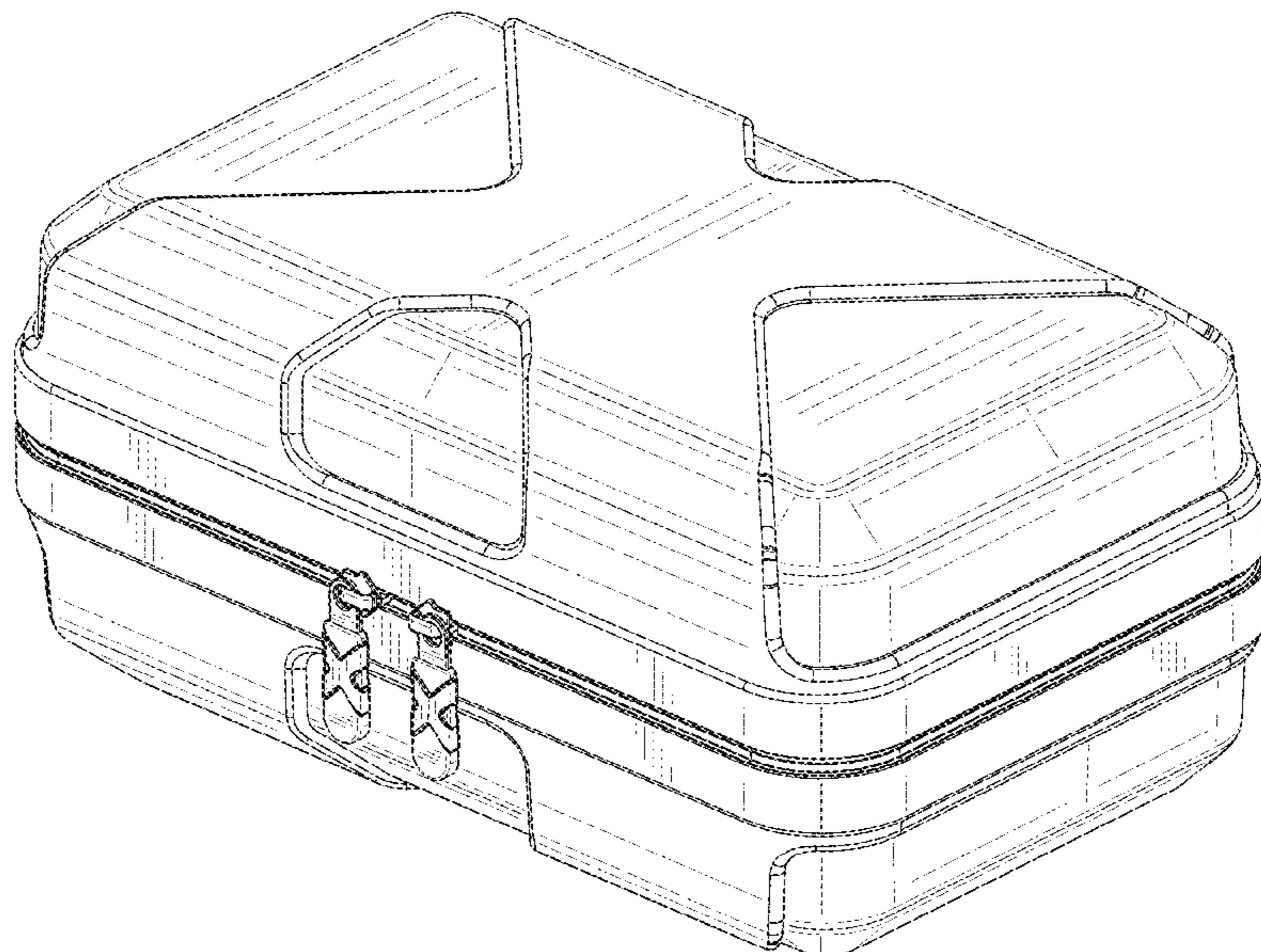
FIG. 1 is a perspective view of a new design for a case, in a closed position;  
FIG. 2 is a top plan view thereof;  
FIG. 3 is a bottom plan view thereof;  
FIG. 4 is a front elevational view thereof;  
FIG. 5 is a rear elevational view thereof;  
FIG. 6 is a left side elevational view thereof;  
FIG. 7 is a right side elevational view thereof;  
FIG. 8 is a perspective view of a new design for a case, in an open position;  
FIG. 9 is a front elevational view thereof;  
FIG. 10 is a top plan view thereof; and  
FIG. 11 is a right side elevational view thereof.  
The broken lines illustrate portions of the case that form no part of the claimed design.

(56) **References Cited**

**U.S. PATENT DOCUMENTS**

D191,427 S 9/1961 Peterman  
D512,216 S \* 12/2005 Joyce ..... D3/203.6  
D531,805 S 11/2006 Aglassinger  
D599,112 S 9/2009 Wenchel  
7,641,048 B1 1/2010 Shih  
D613,506 S 4/2010 Aglassinger  
D665,167 S 8/2012 Haener  
D692,236 S \* 10/2013 Ashkenazy ..... D3/289  
D733,429 S 7/2015 Grenier  
D776,523 S 1/2017 Sabbag  
D780,450 S 3/2017 Aoki

**1 Claim, 11 Drawing Sheets**



(56)

**References Cited**

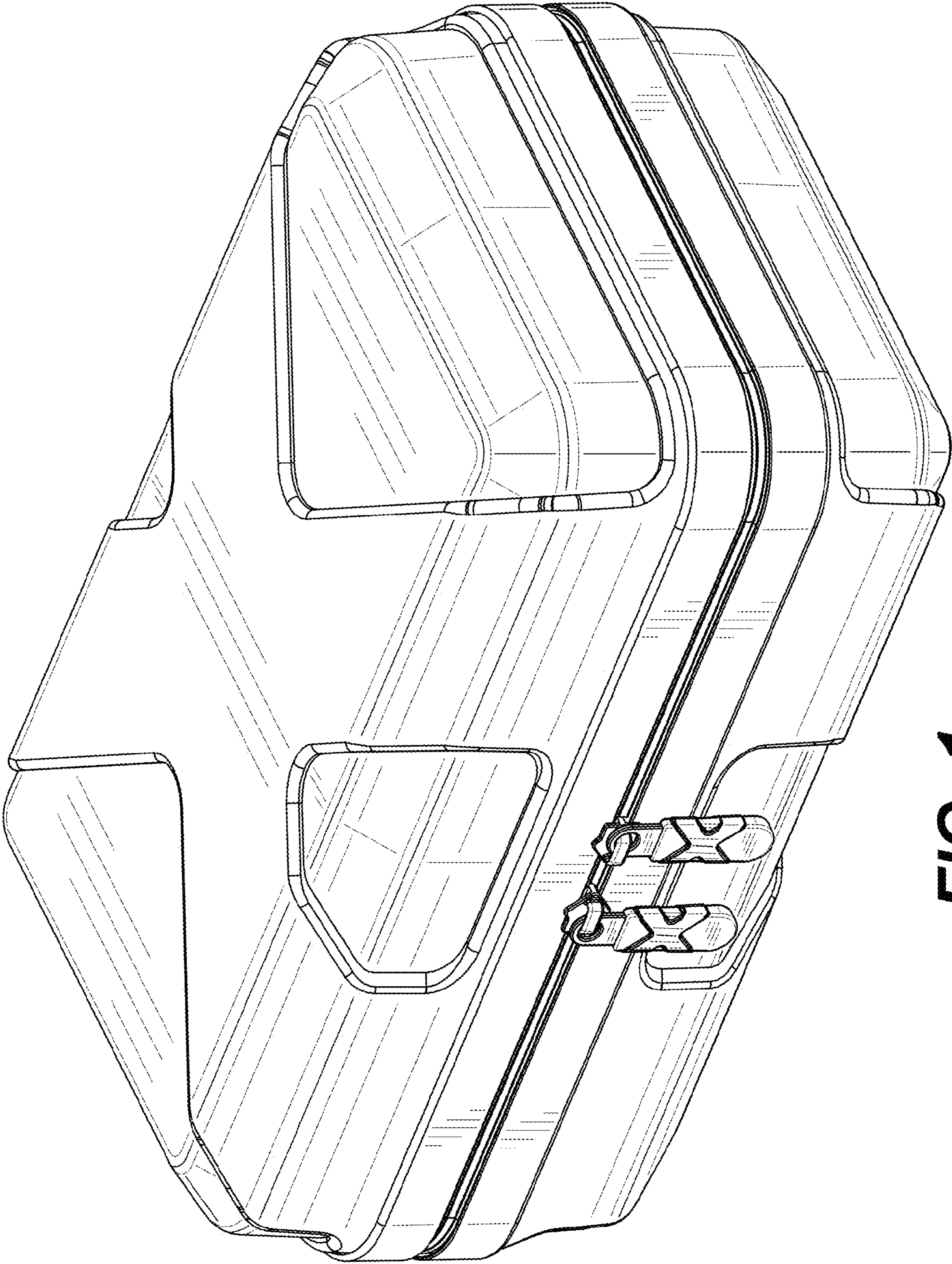
U.S. PATENT DOCUMENTS

D943,409 S \* 2/2022 Ding ..... D3/273  
2006/0011624 A1 1/2006 Shih  
2006/0201958 A1 9/2006 Tieben

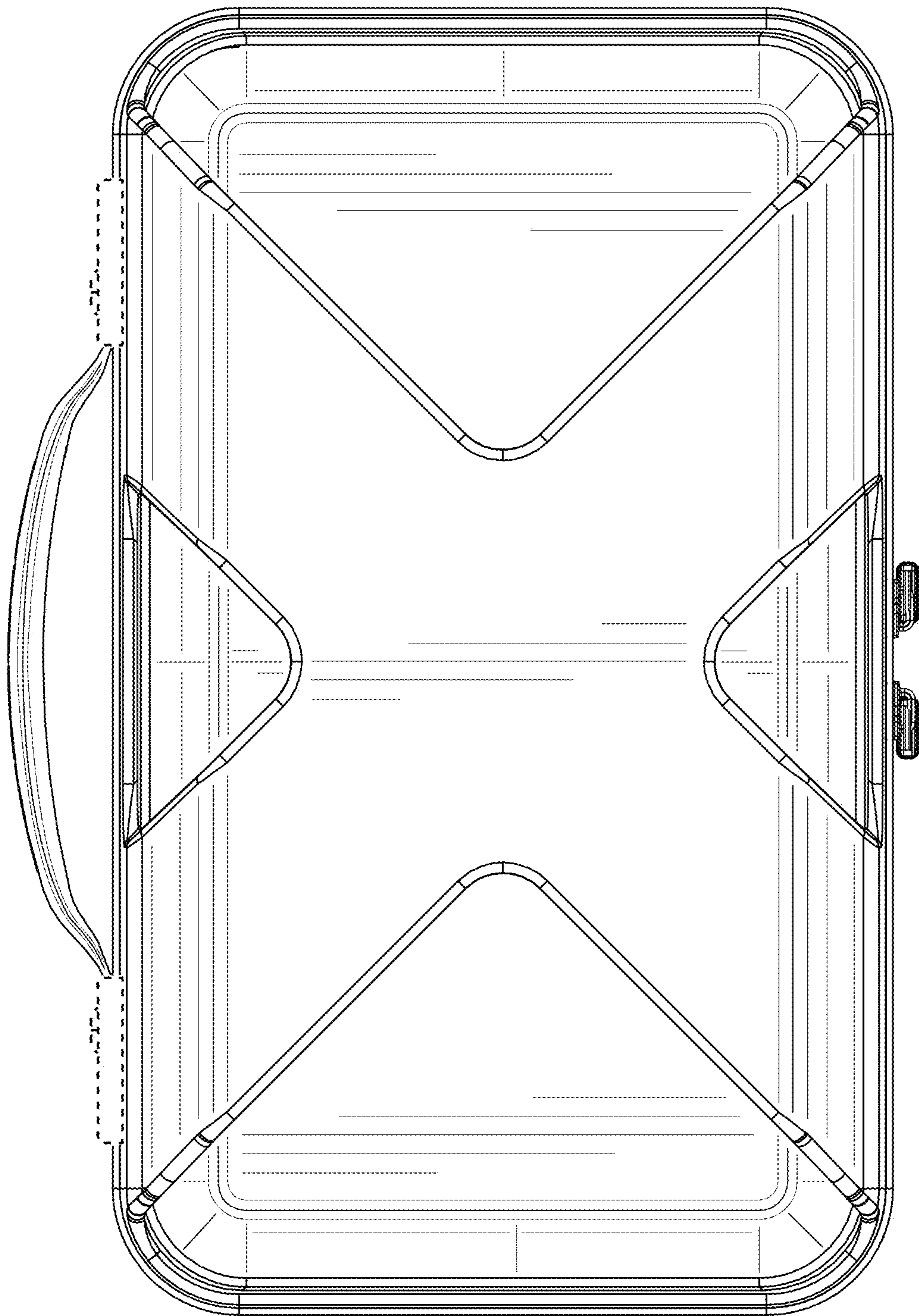
OTHER PUBLICATIONS

Amazon, "NOCO GENIUSPRO25 . . .", First on sale Dec. 8, 2020.  
(<https://www.amazon.com/NOCO-GENIUSPRO25-Fully-Automatic-Professional-Compensation/dp/B08Q2WD66S>) (Year: 2020).\*  
NOCO GBC017 Boost XL EVA Protection Case, announced Feb. 14, 2019 [online], [site visited Jun. 6, 2022]. Available from internet, URL: [https://www.amazon.com/NOCO-GBC017-Boost-Protection-Case/dp/B07NRCDG31?ref\\_=ast\\_sto\\_dp](https://www.amazon.com/NOCO-GBC017-Boost-Protection-Case/dp/B07NRCDG31?ref_=ast_sto_dp) (year: 2019).

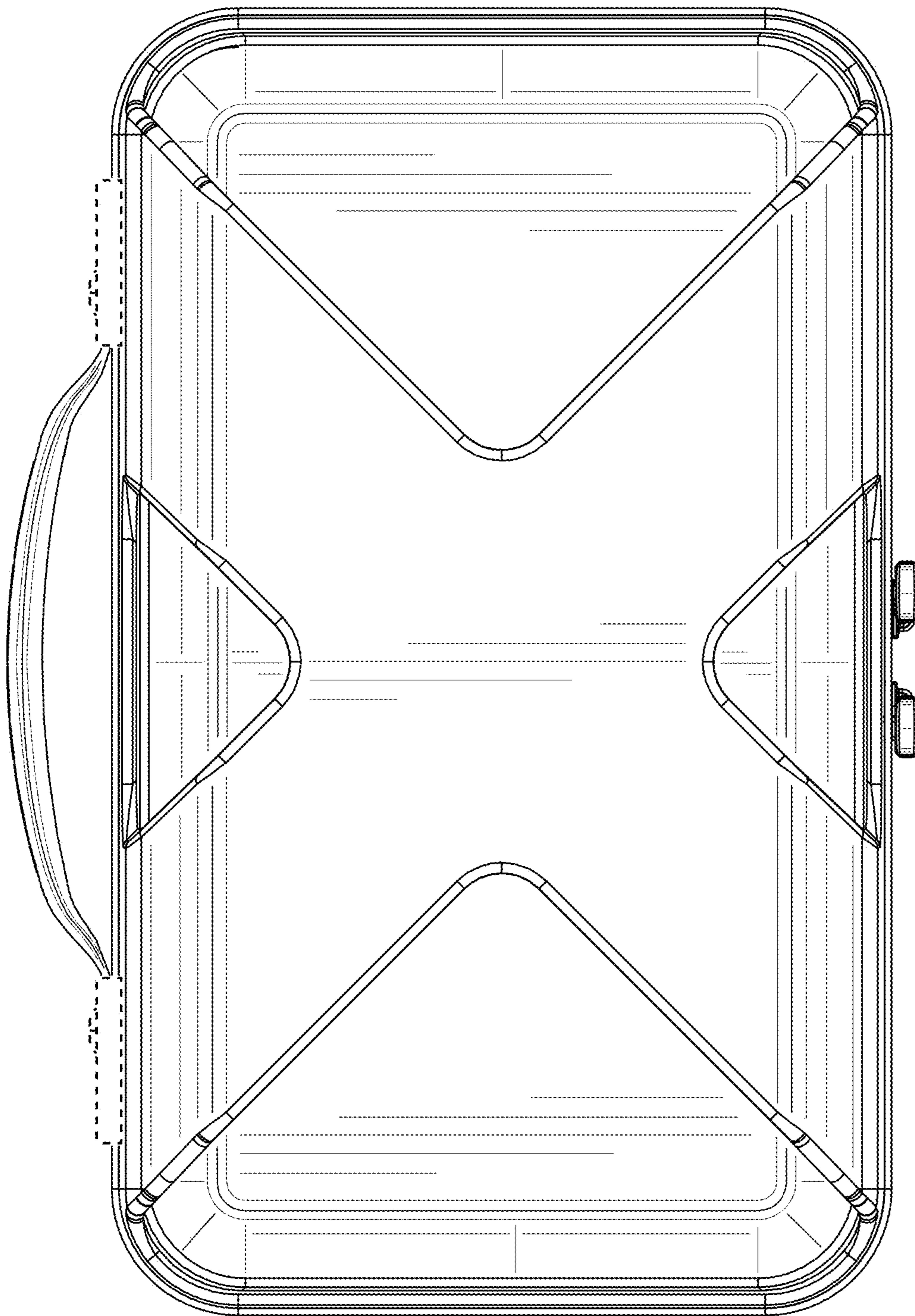
\* cited by examiner



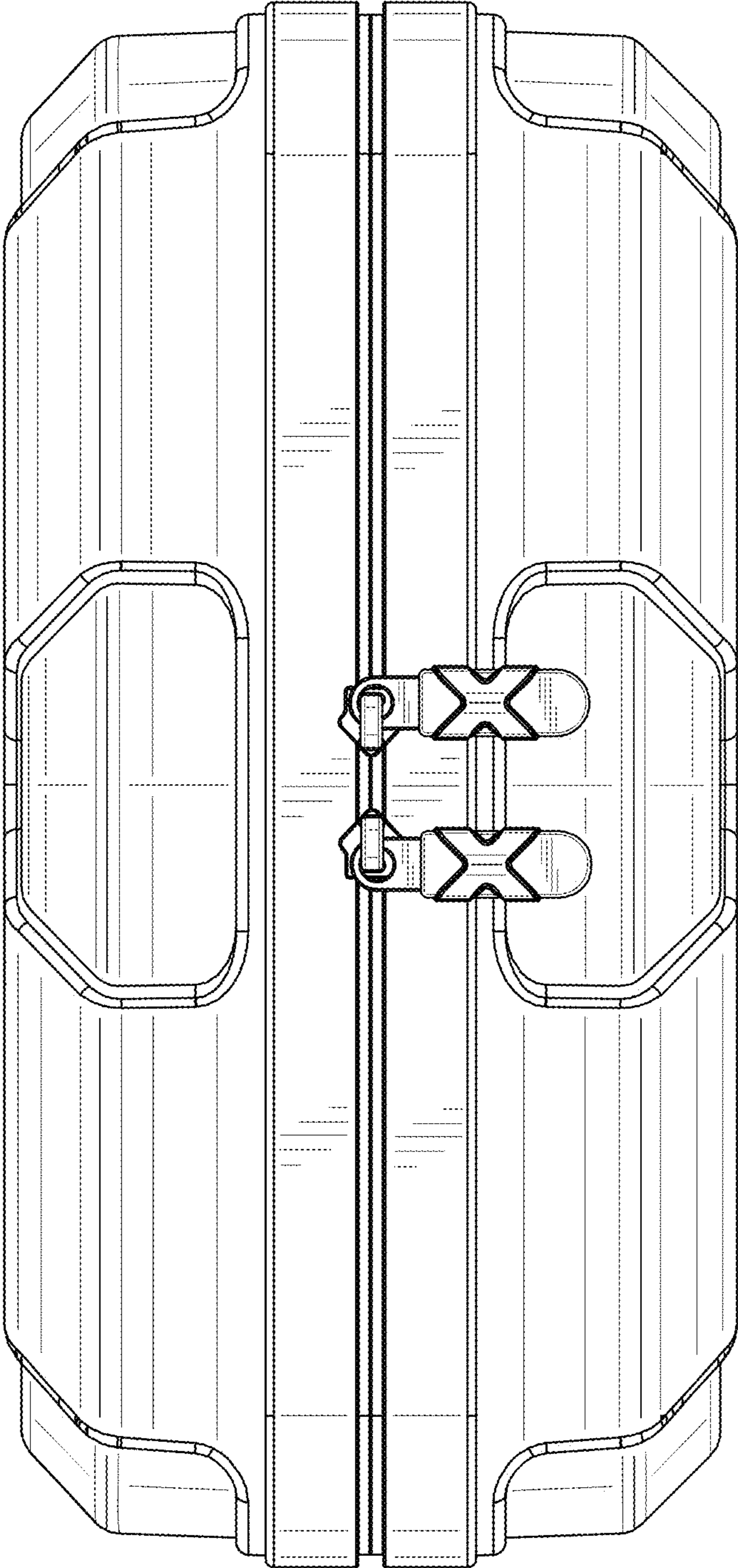
**FIG. 1**



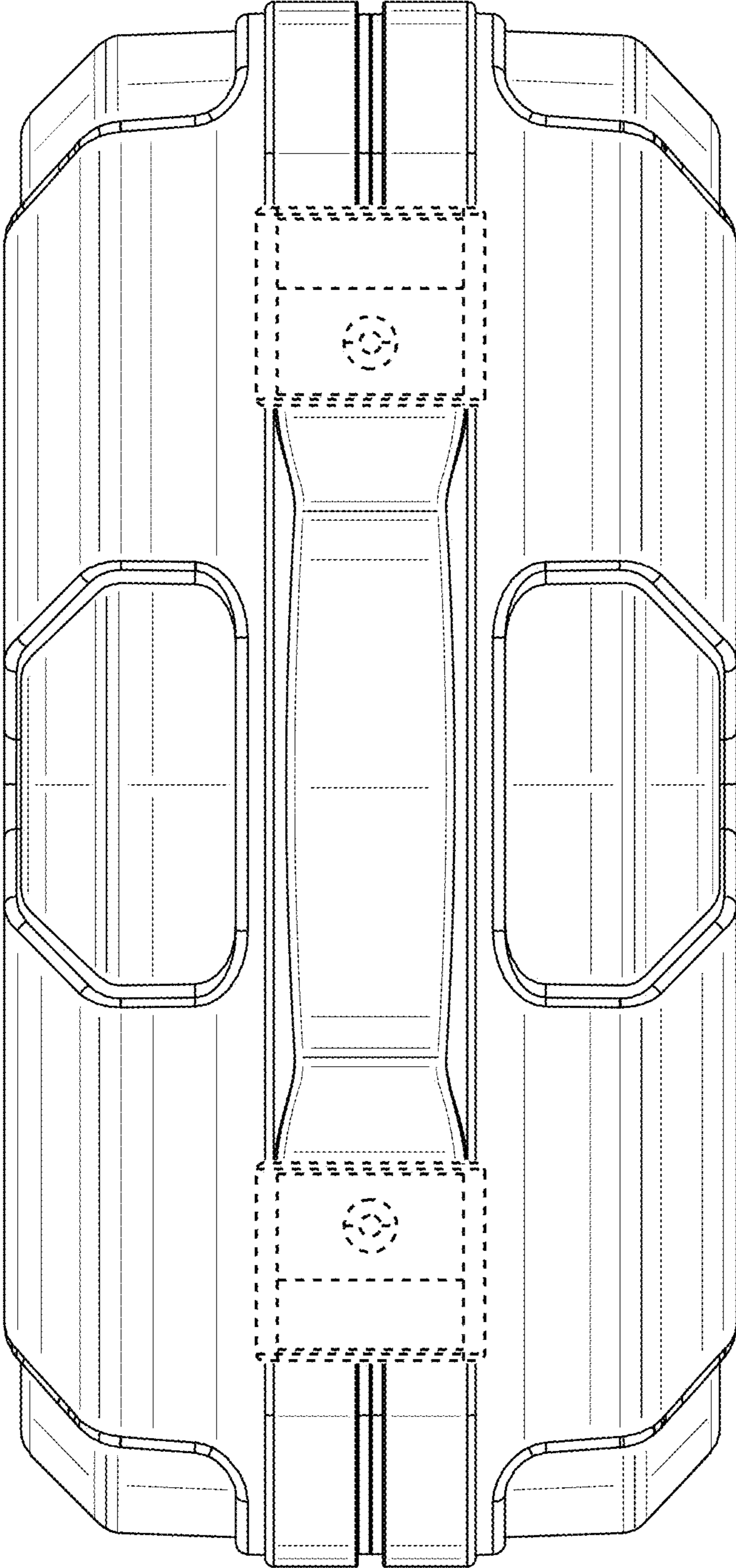
**FIG. 2**



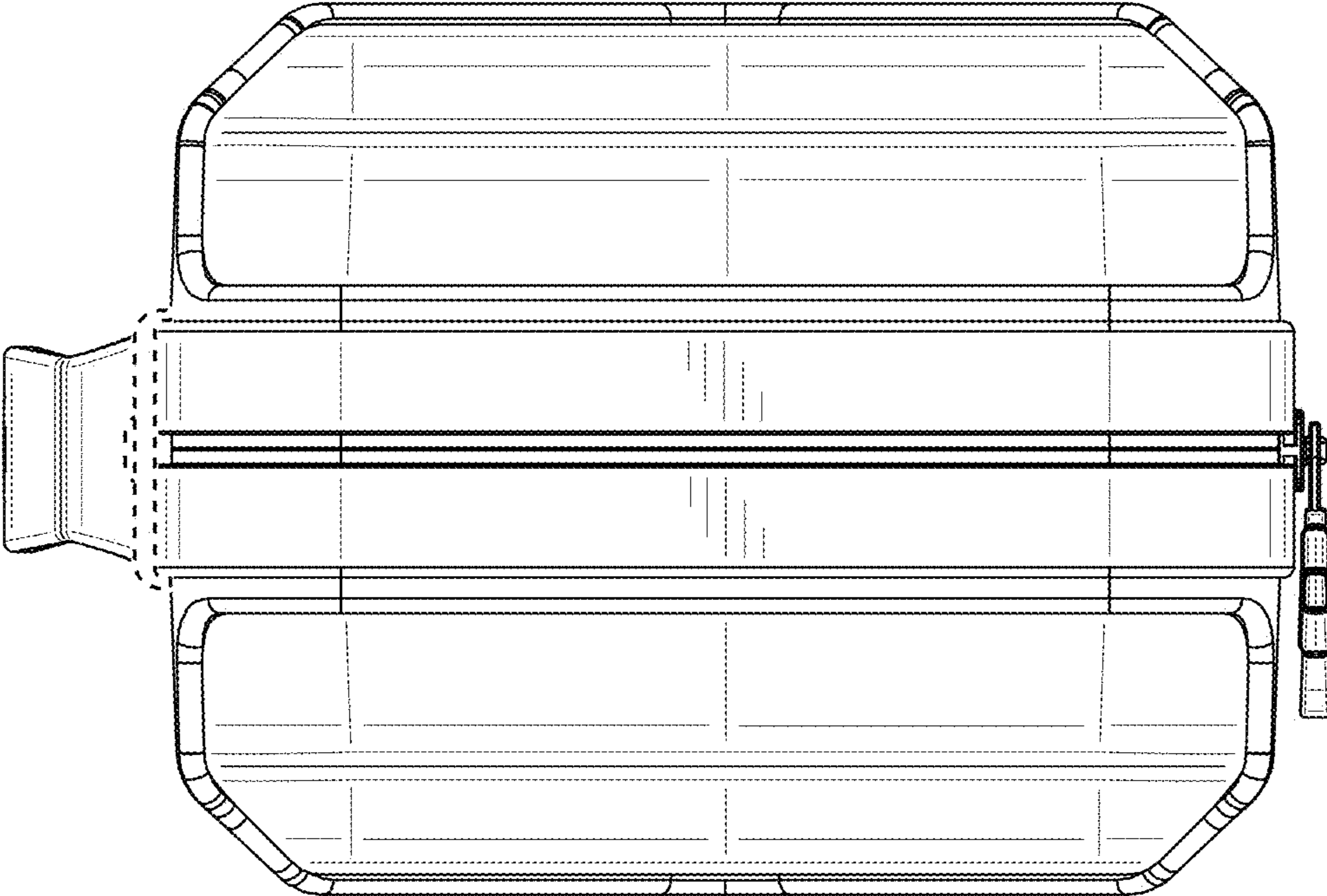
**FIG. 3**



**FIG. 4**

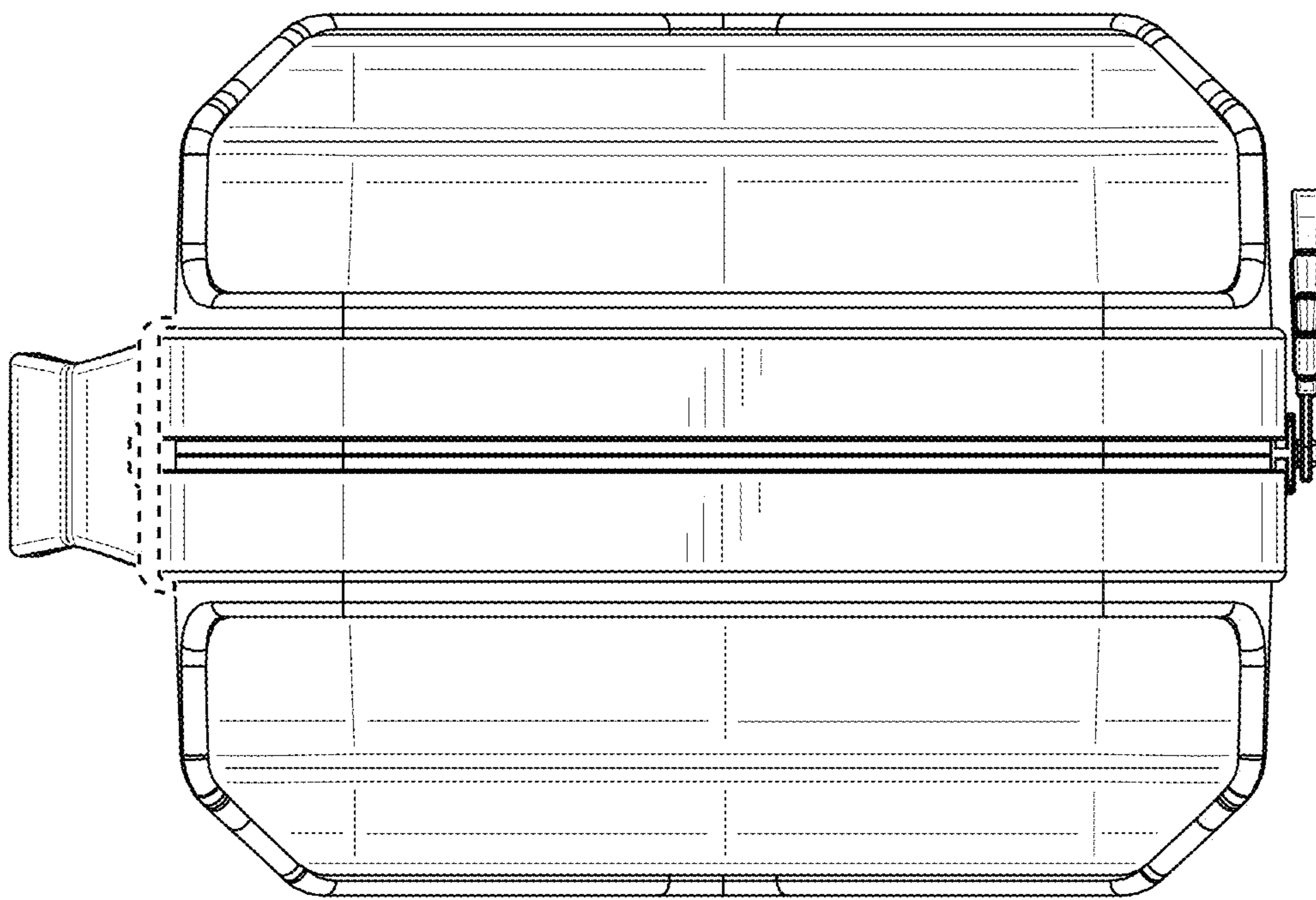


**FIG. 5**

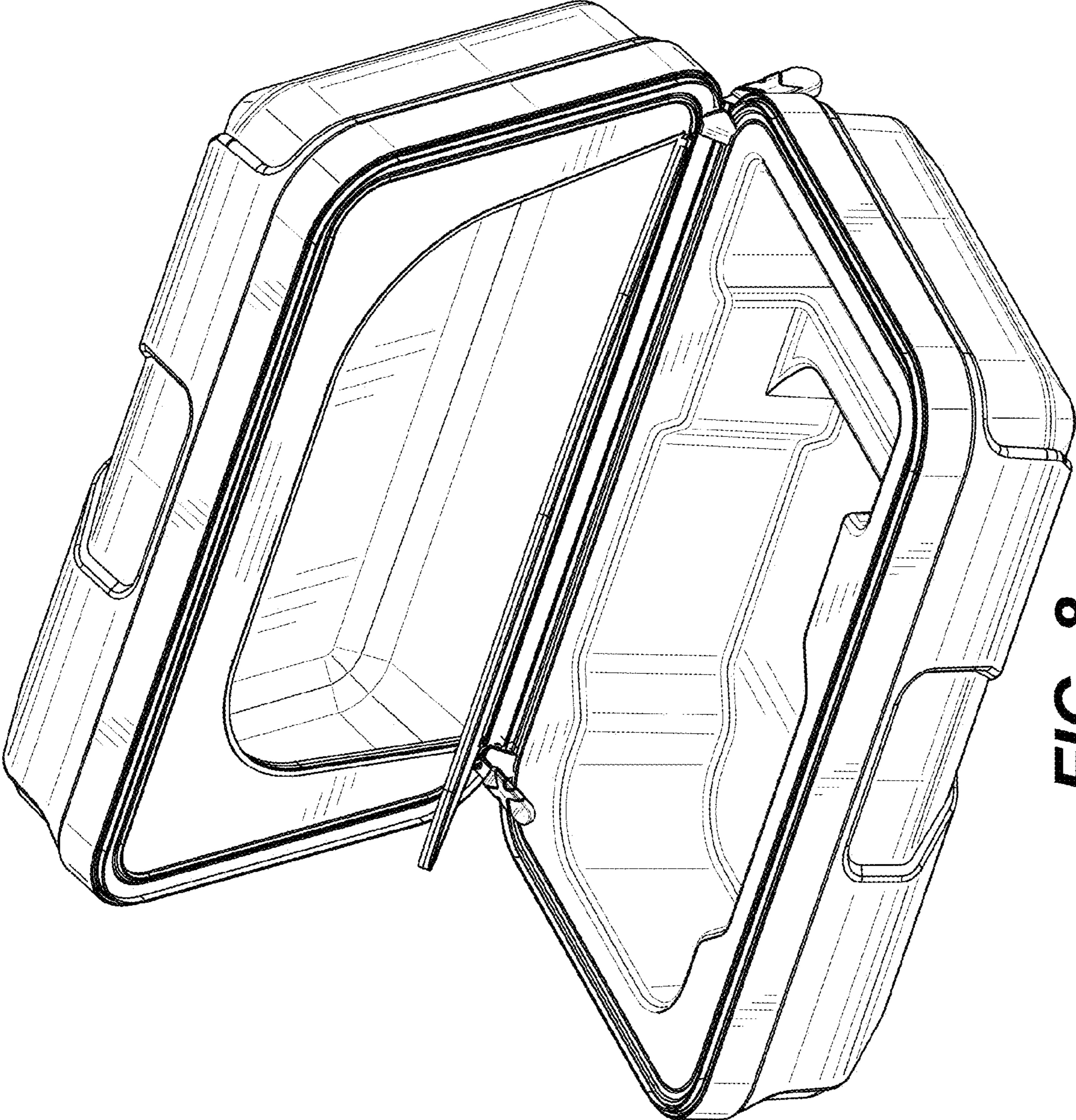


**FIG. 6**

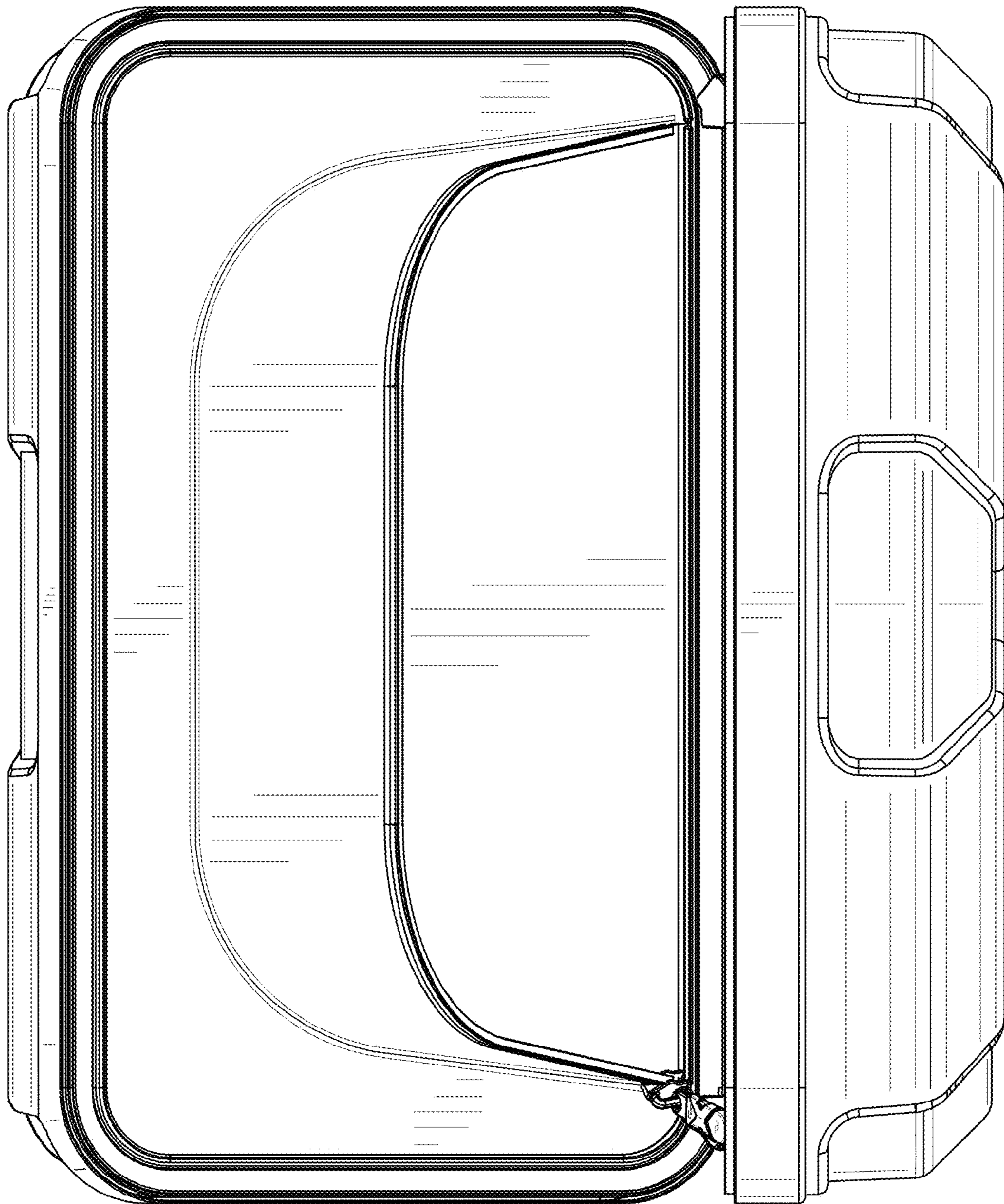




**FIG. 7**



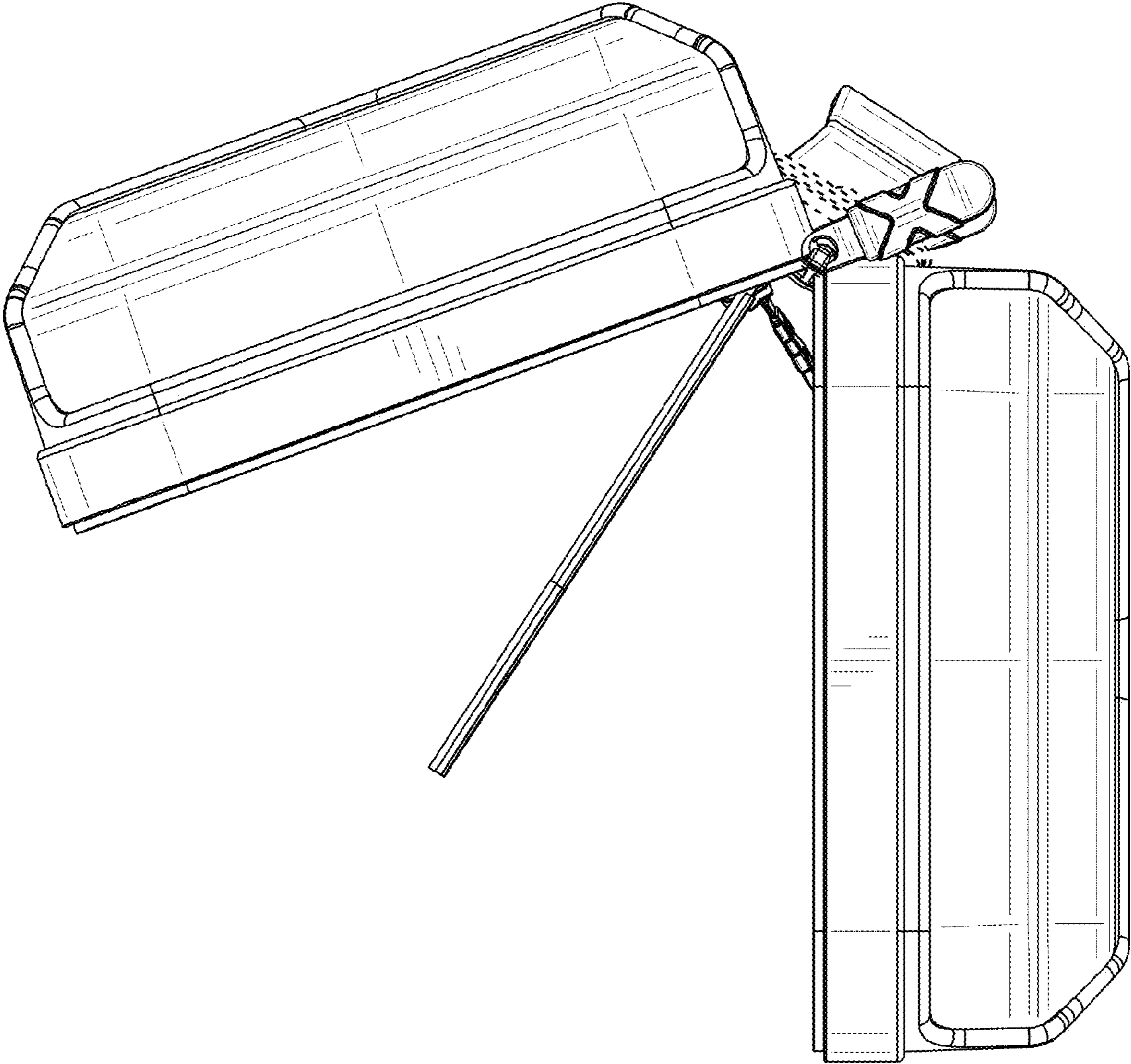
**FIG. 8**



**FIG. 9**



**FIG. 10**



**FIG. 11**