



US00D985938S

(12) **United States Design Patent** (10) **Patent No.:** **US D985,938 S**
Hinkle (45) **Date of Patent:** **** May 16, 2023**

(54) **MAKEUP ORGANIZER WITH ATTACHABLE HOLDERS**

(57) **CLAIM**

(71) Applicant: **Stormy Lynn Hinkle**, Yucaipa, CA (US)

The ornamental design for a makeup organizer with attachable holders, as shown and described.

(72) Inventor: **Stormy Lynn Hinkle**, Yucaipa, CA (US)

DESCRIPTION

(**) Term: **15 Years**

(21) Appl. No.: **29/851,587**

(22) Filed: **Aug. 30, 2022**

Related U.S. Application Data

(63) Continuation-in-part of application No. 29/755,626, filed on Oct. 21, 2020, now Pat. No. Des. 965,296.

(51) **LOC (14) Cl.** **03-01**

(52) **U.S. Cl.**
USPC **D3/299**; D3/901; D3/284

(58) **Field of Classification Search**
USPC D3/232, 234, 244, 245, 246, 318, 321, D3/226, 317, 285, 289, 283, 905; D7/625, 703, 607; D19/27, 32
(Continued)

FIG. 1 is a perspective view of a makeup organizer with a plurality of attachable holders, showing my design in a closed configuration.

FIG. 2 is a top view thereof

FIG. 3 is a bottom view thereof.

FIG. 4 is a front view thereof.

FIG. 5 is a back view thereof.

FIG. 6 is a side view thereof.

FIG. 7 is a perspective view of the makeup organizer with the plurality of attachable holders in an open configuration.

FIG. 8 is a top view of the makeup organizer in an open configuration, wherein the plurality of attachable holders are detached and not shown.

FIG. 9 is a side view thereof.

FIG. 10 is a perspective view thereof, wherein a cover for covering the inner surface of a panel of the makeup organizer is opened.

FIG. 11 is a top view of a first holder of the plurality of attachable holders.

FIG. 12 is a left side view thereof.

FIG. 13 is a bottom view thereof.

FIG. 14 is a right side view thereof.

FIG. 15 is a top view of a second holder of the plurality of attachable holders.

FIG. 16 is a left side view thereof.

FIG. 17 is a bottom view thereof.

FIG. 18 is a right side view thereof.

FIG. 19 is a top view of a third holder of the plurality of attachable holders.

FIG. 20 is a left side view thereof.

FIG. 21 is a bottom view thereof; and,

FIG. 22 is a right side view thereof.

The makeup organizer and holders are shown separately for convenience of illustration only. The broken lines shown in

(Continued)

References Cited

U.S. PATENT DOCUMENTS

3,797,146 A * 3/1974 Holes B42F 5/00
D19/27
D340,473 S * 10/1993 Dubs D19/27
(Continued)

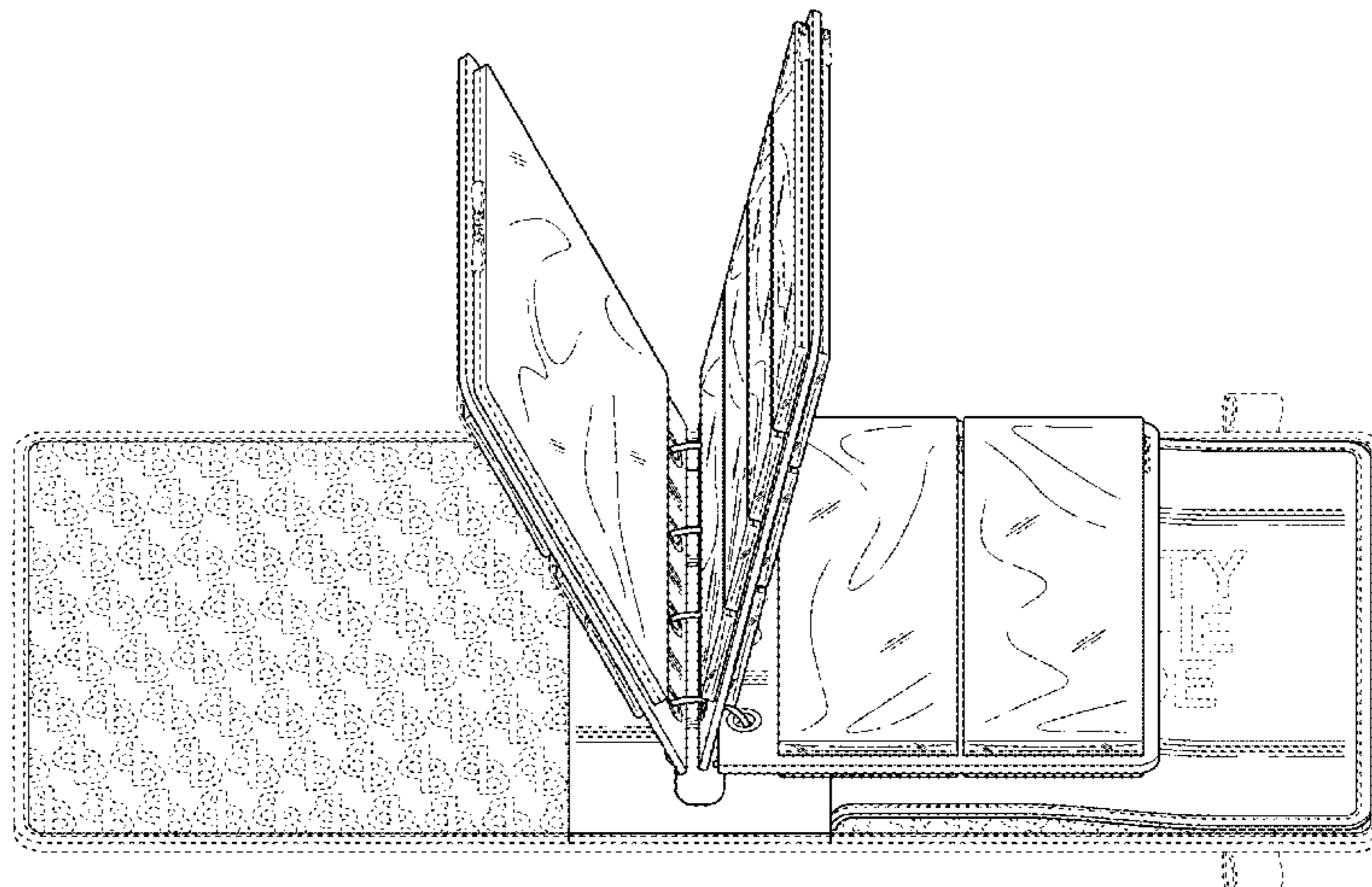
OTHER PUBLICATIONS

Instagram, “@beautybinderorganizer”, Posts dated Jan. 30, 2022 and Nov. 4, 2021. <https://www.instagram.com/beautybinderorganizer/?hl=en> (Year: 2021).*

(Continued)

Primary Examiner — April Rivas

(74) *Attorney, Agent, or Firm* — LambentIP



the drawings illustrate unclaimed portions of the makeup organizer with attachable holders and form no part of the claimed design.

1 Claim, 13 Drawing Sheets

(58) Field of Classification Search

CPC A45C 11/00
See application file for complete search history.

(56)

References Cited

U.S. PATENT DOCUMENTS

D352,733	S	*	11/1994	French	D19/32
D354,983	S	*	1/1995	Tumulty	D19/27
D384,972	S	*	10/1997	French	D19/32
D389,514	S	*	1/1998	Bedol	D19/86
D422,020	S	*	3/2000	Mochizuki	D19/86
D451,273	S	*	12/2001	Moor	D3/206
7,073,968	B2	*	7/2006	To	B42F 13/0066 402/75

D686,823	S	*	7/2013	Dial	D3/300
D724,318	S	*	3/2015	Myer	D3/233
D737,899	S	*	9/2015	Carey	D19/32
D761,564	S	*	7/2016	Rhodes	D3/902
D764,790	S	*	8/2016	Vruwink	D3/232
D856,664	S	*	8/2019	Swartzel	D3/232
D868,458	S	*	12/2019	Monroe	D3/232
D882,250	S	*	4/2020	Monroe	D3/232
D882,251	S	*	4/2020	Monroe	D3/232
D882,252	S	*	4/2020	Monroe	D3/232
D882,253	S	*	4/2020	Monroe	D3/232
D882,254	S	*	4/2020	Monroe	D3/232

OTHER PUBLICATIONS

Instagram "BeautyBinder", Post on Jan. 19, 2021. (https://www.instagram.com/p/CKQC78CndKb/?utm_source=ig_web_copy_link) (Year: 2021).
Website "Beauty Binder—Embrace the Suck", Post on Feb. 28, 2022. <https://beautybinder.com/blogs/news/embrace-the-suck>) (Year: 2022).

* cited by examiner

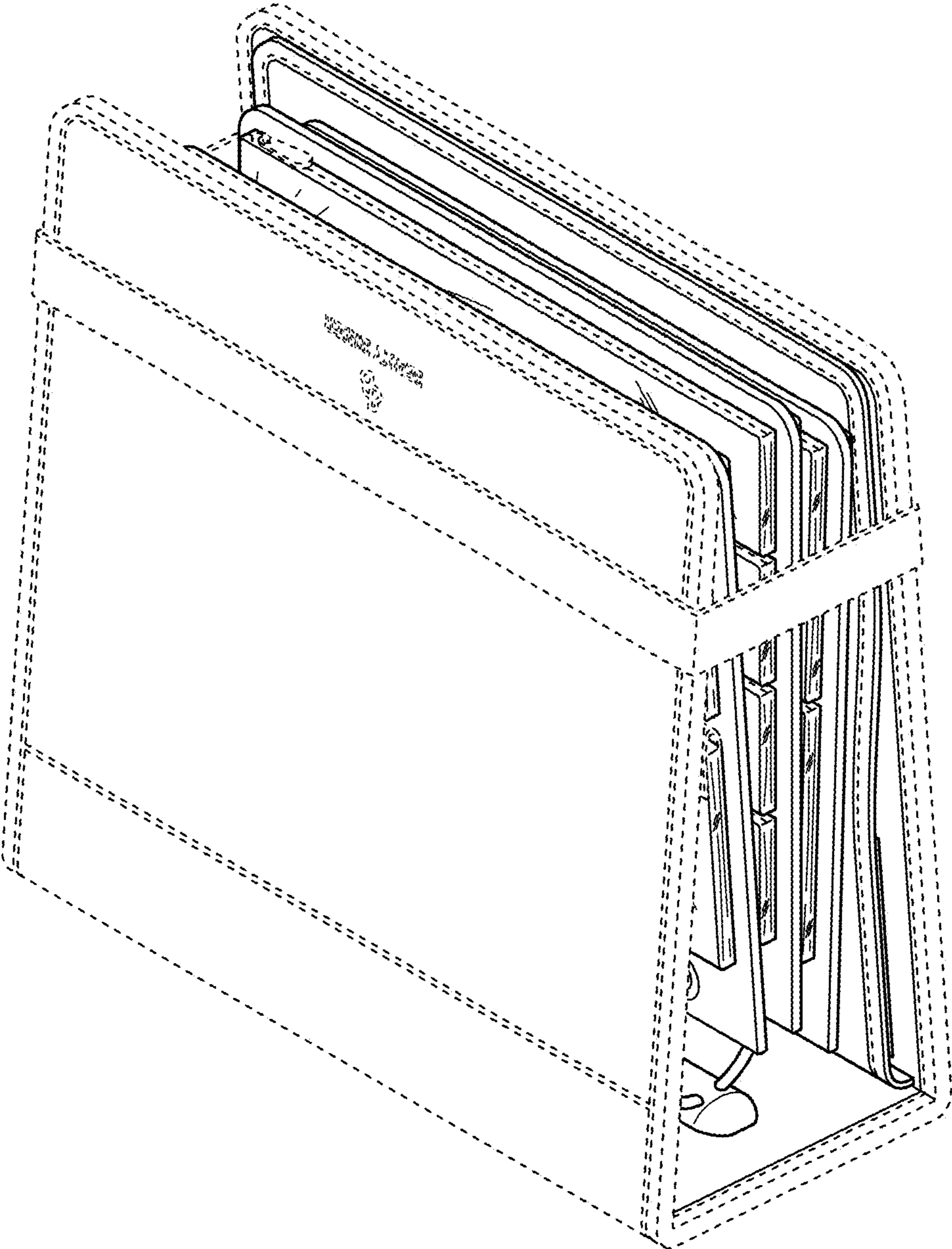


FIG. 1

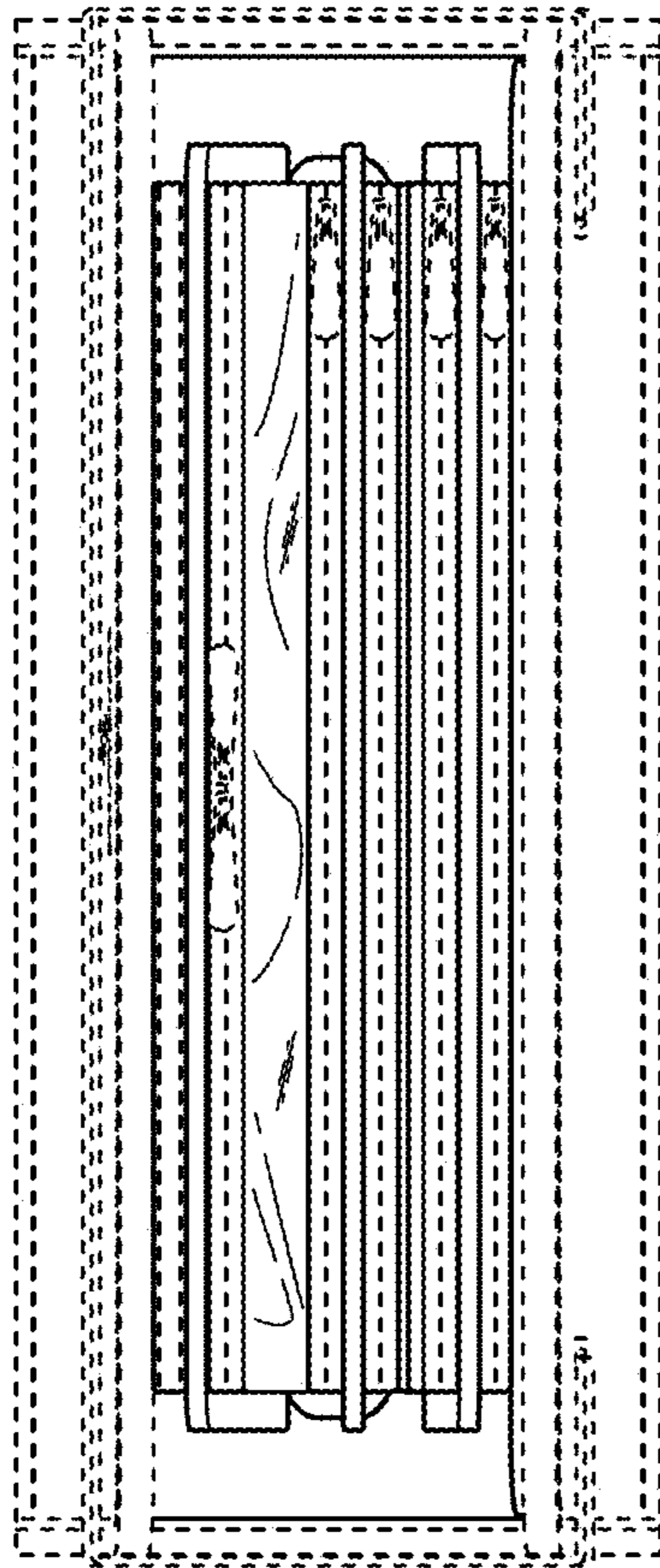


FIG. 2

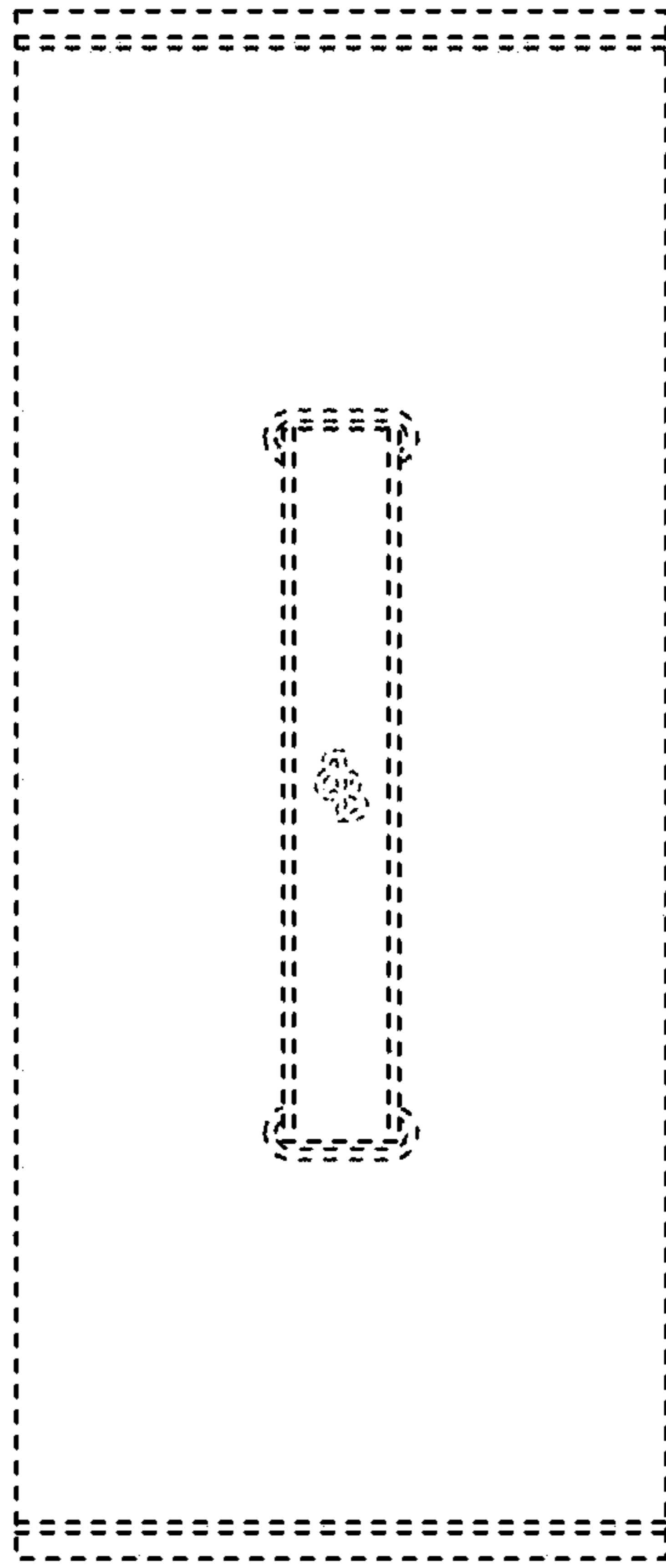


FIG. 3

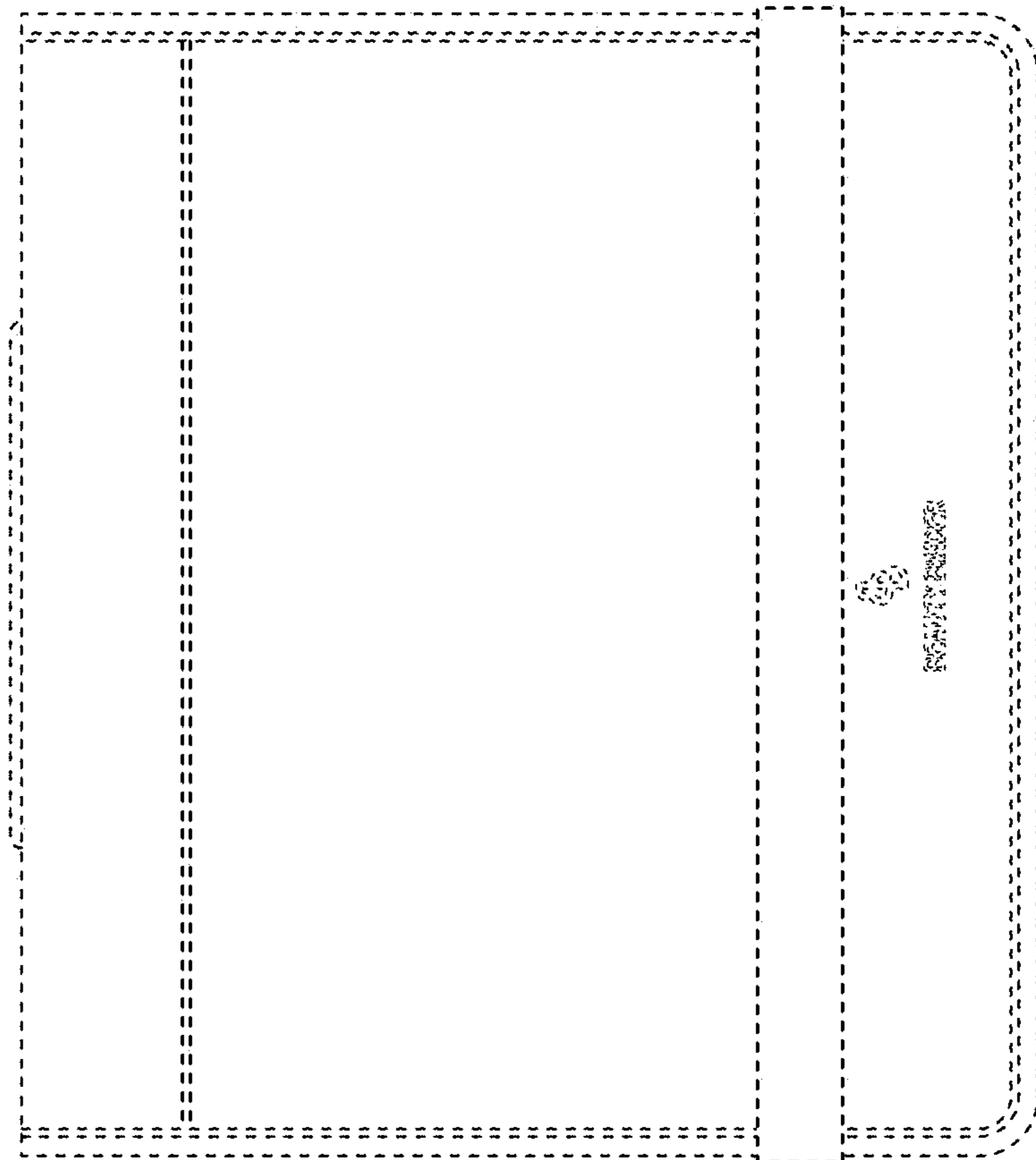


FIG. 4

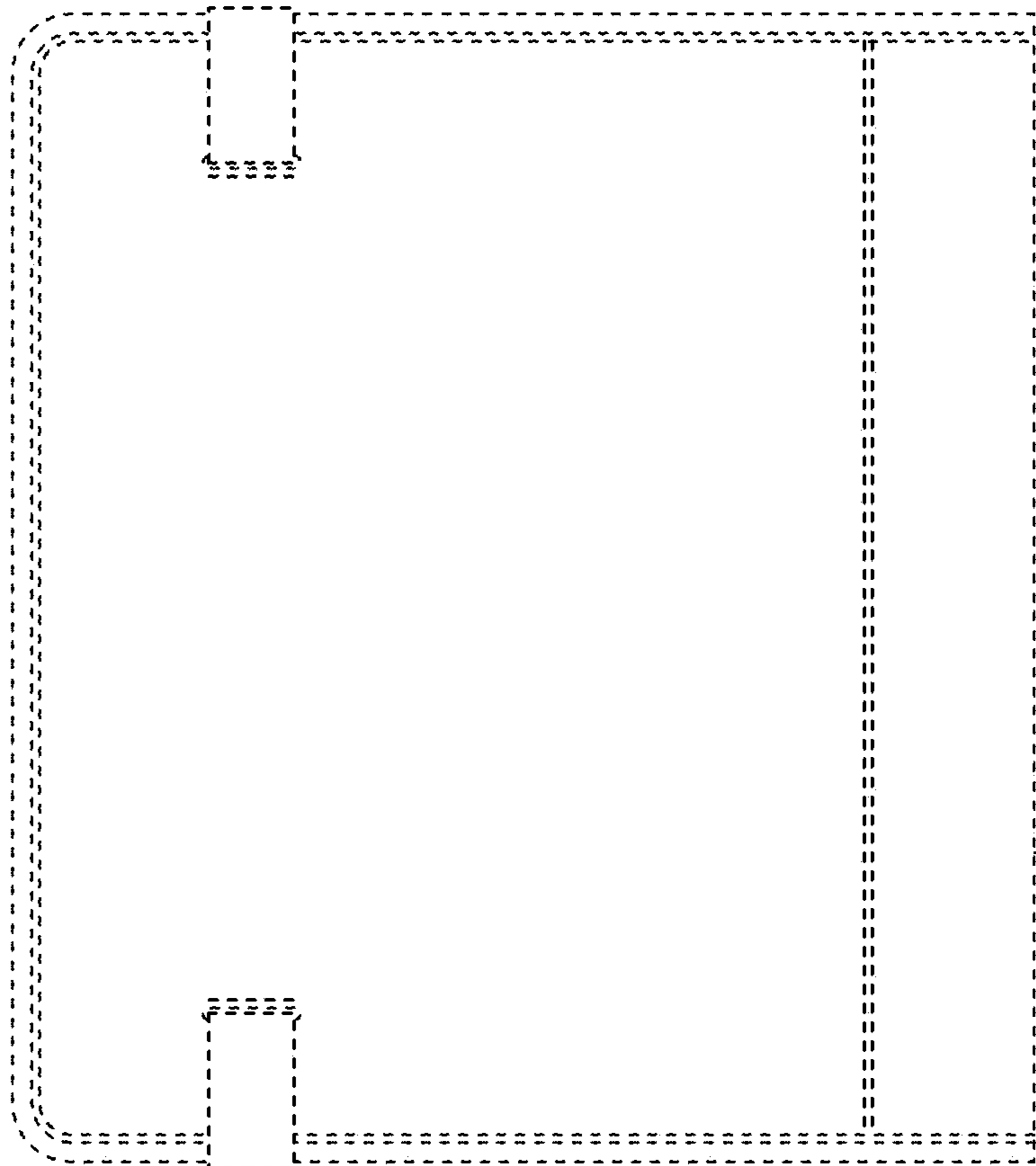


FIG. 5

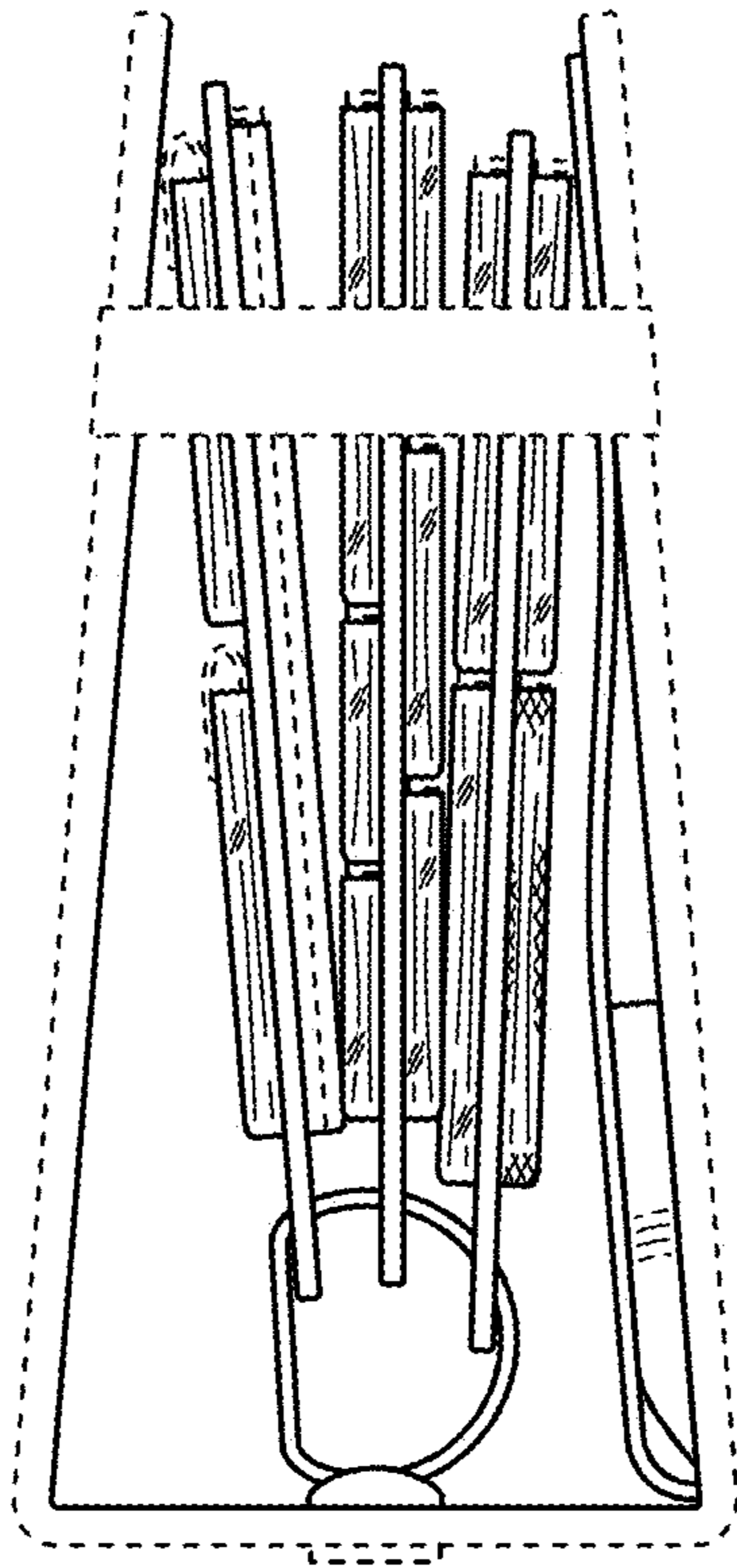


FIG. 6

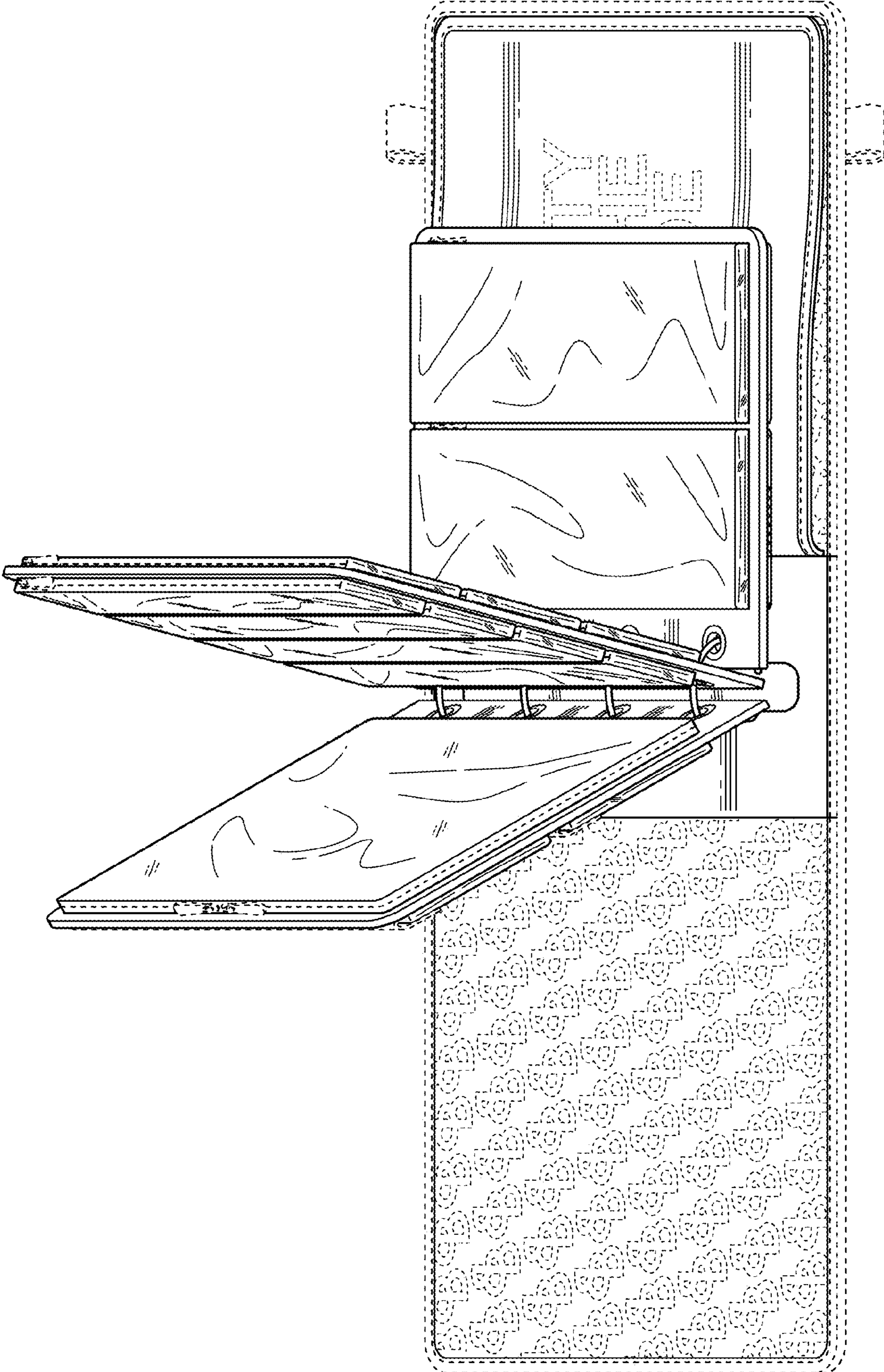


FIG. 7

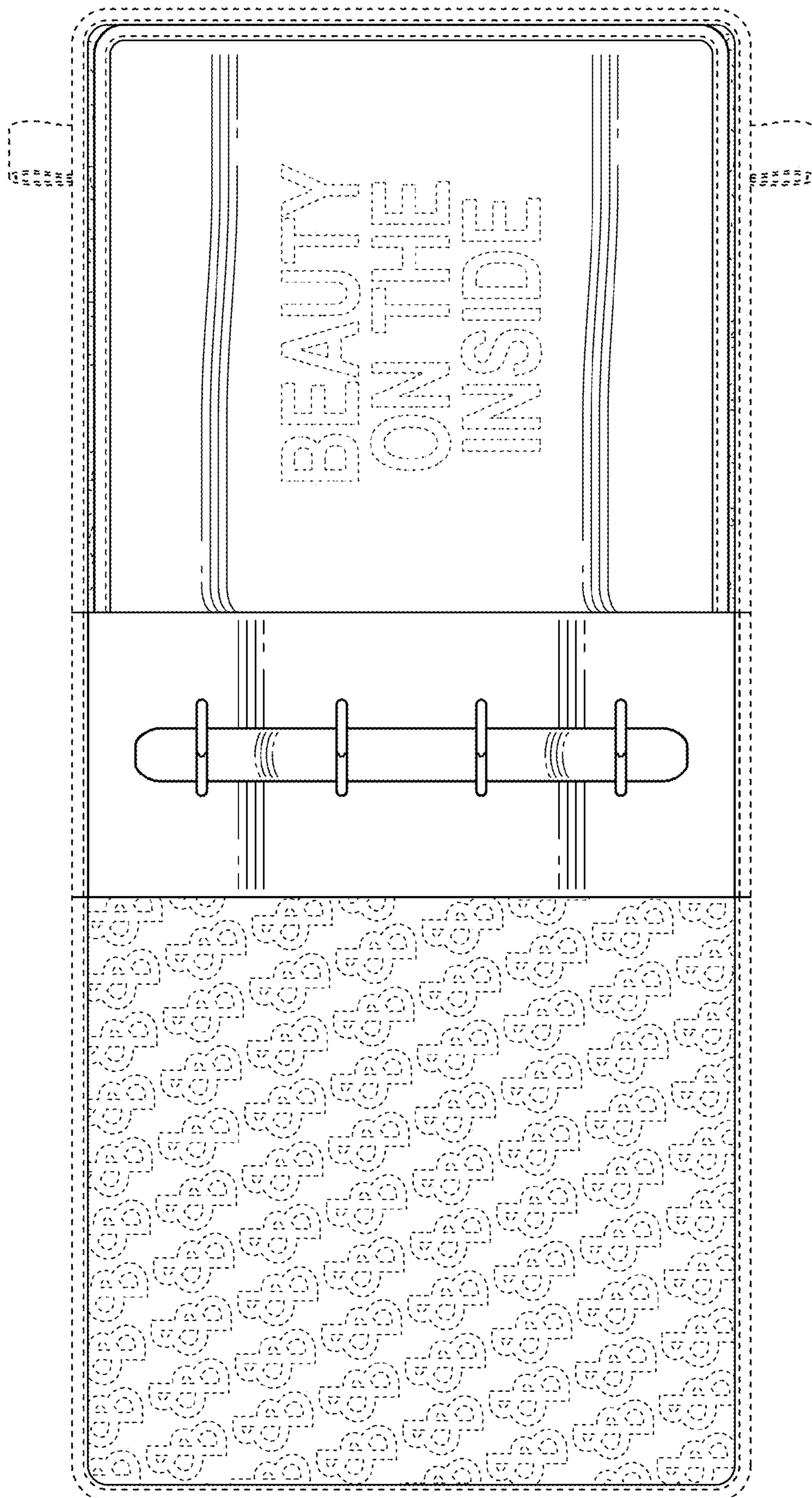


FIG. 8

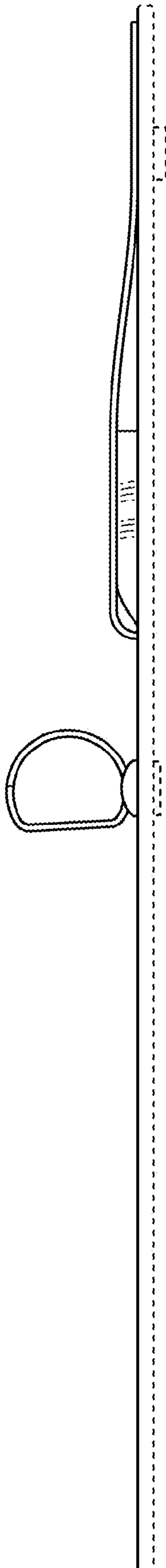


FIG. 9

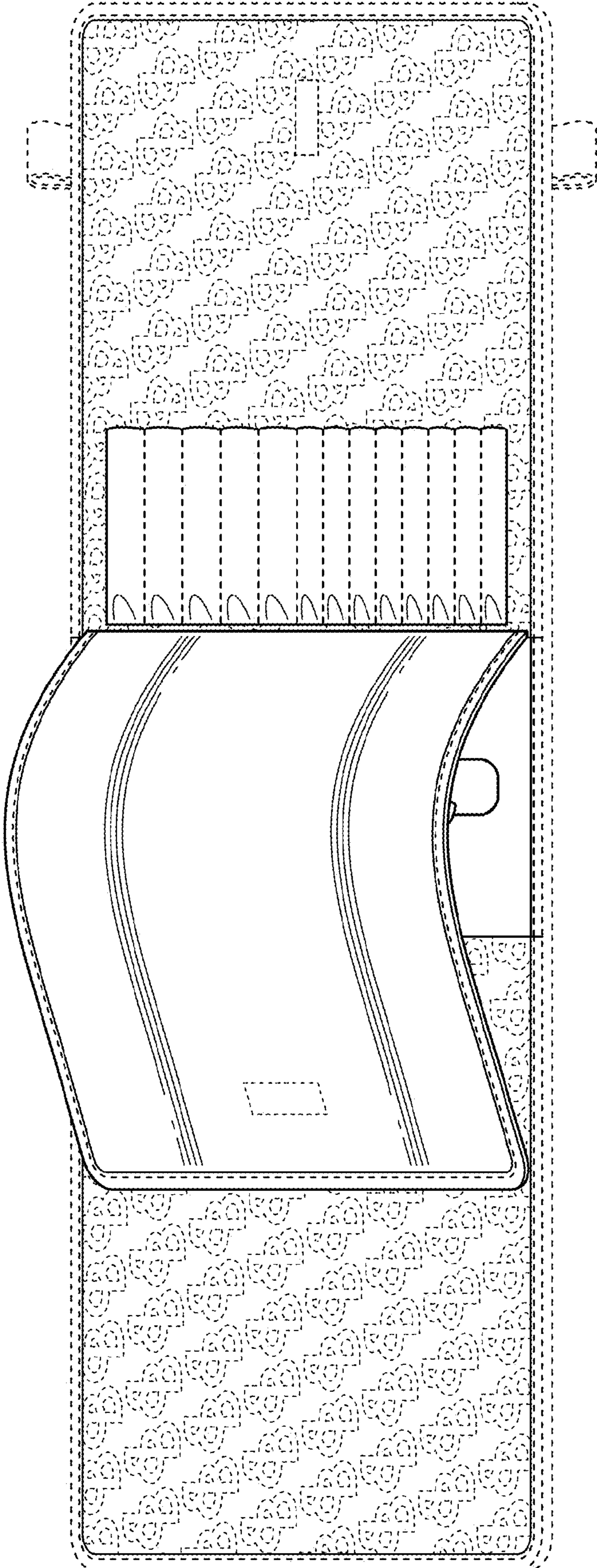


FIG. 10

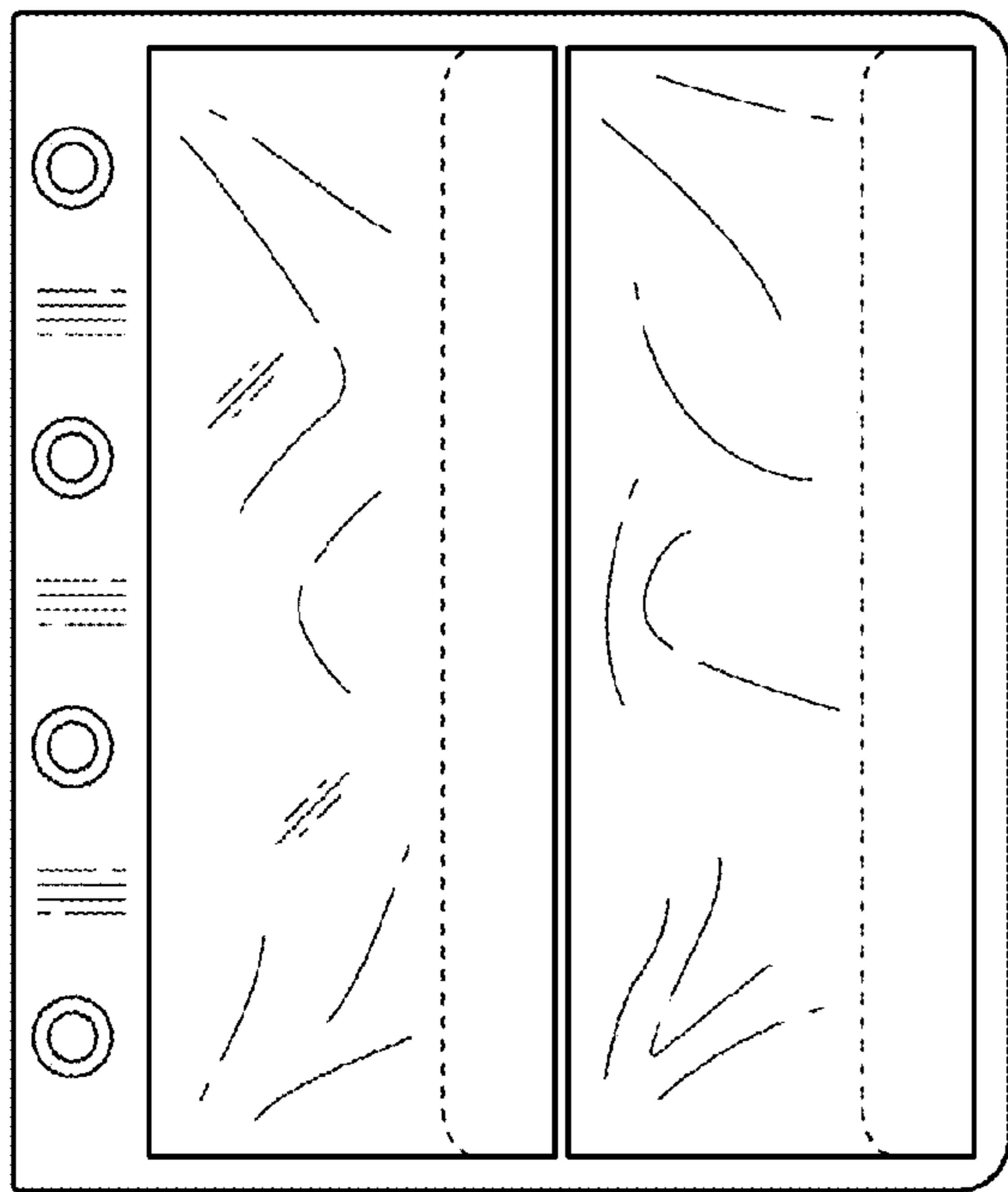


FIG. 11

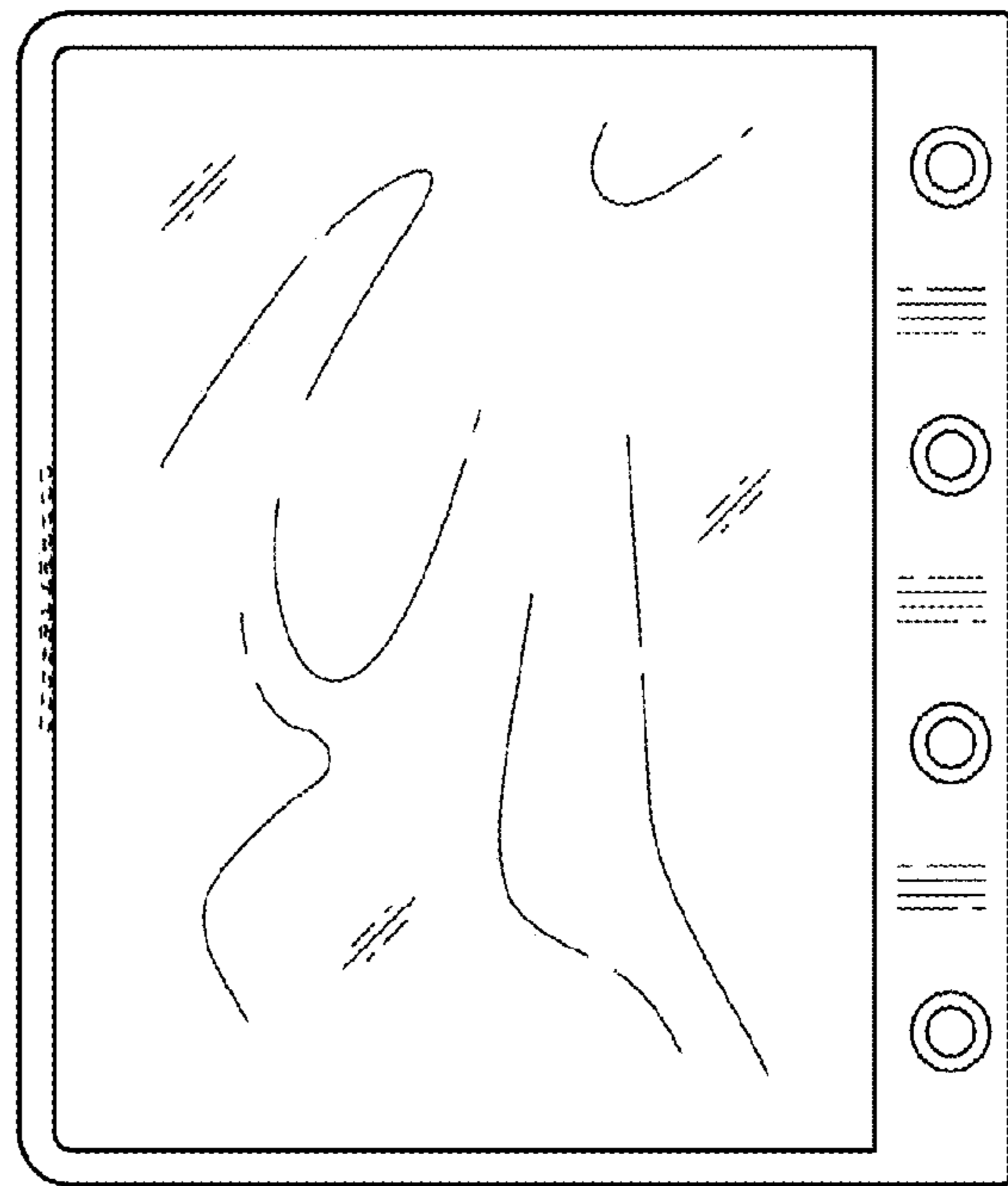


FIG. 13

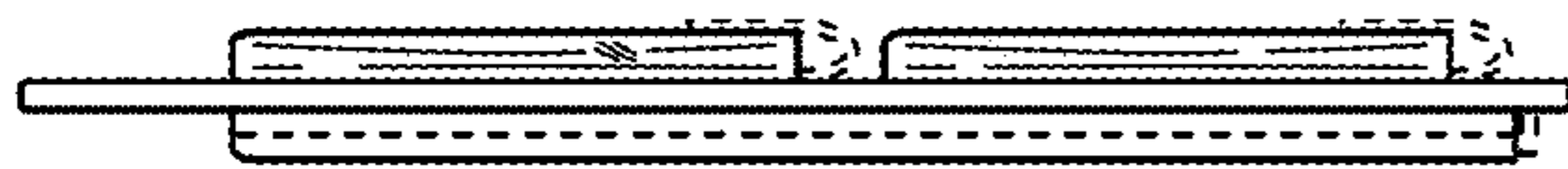


FIG. 12



FIG. 14

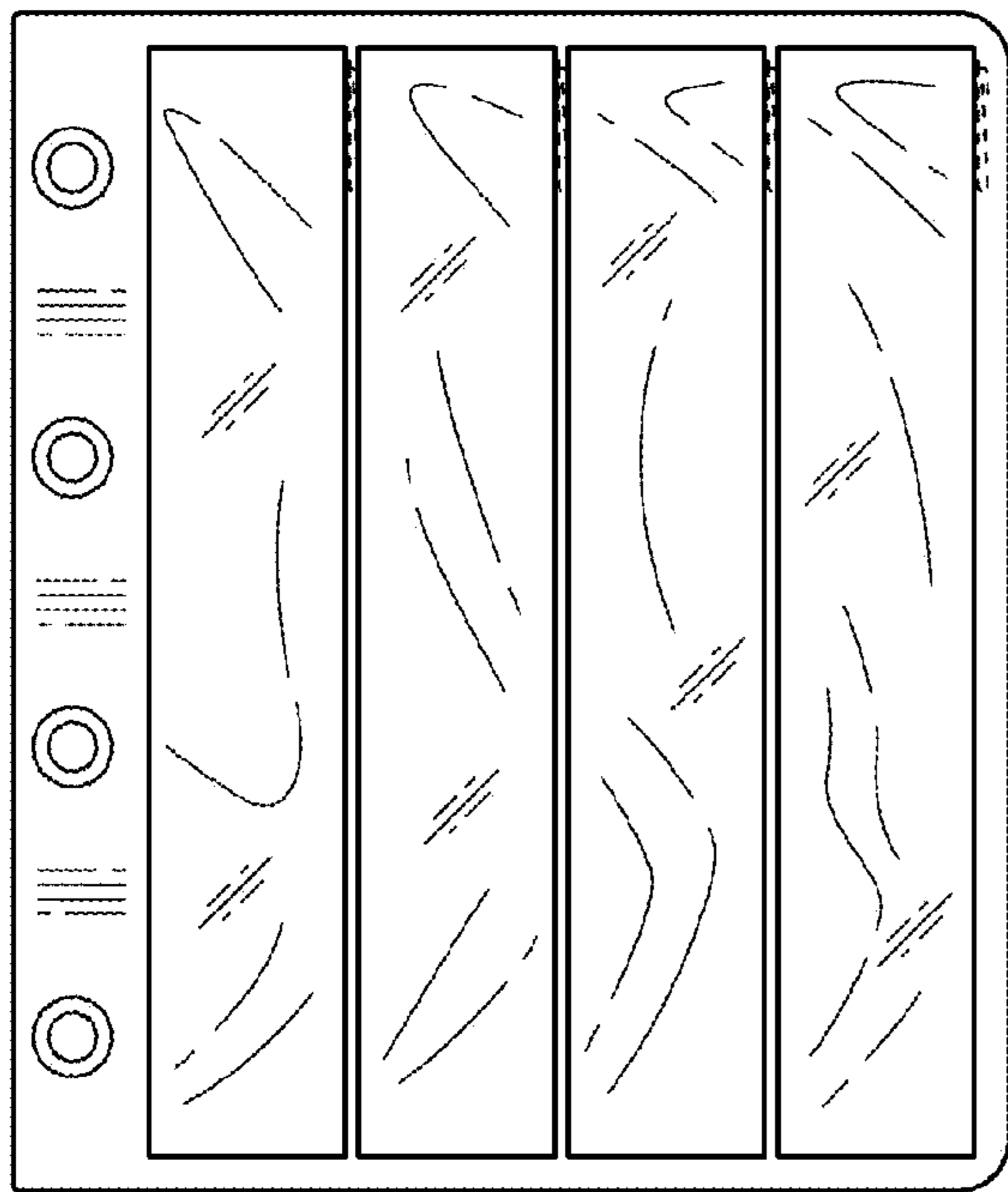


FIG. 15

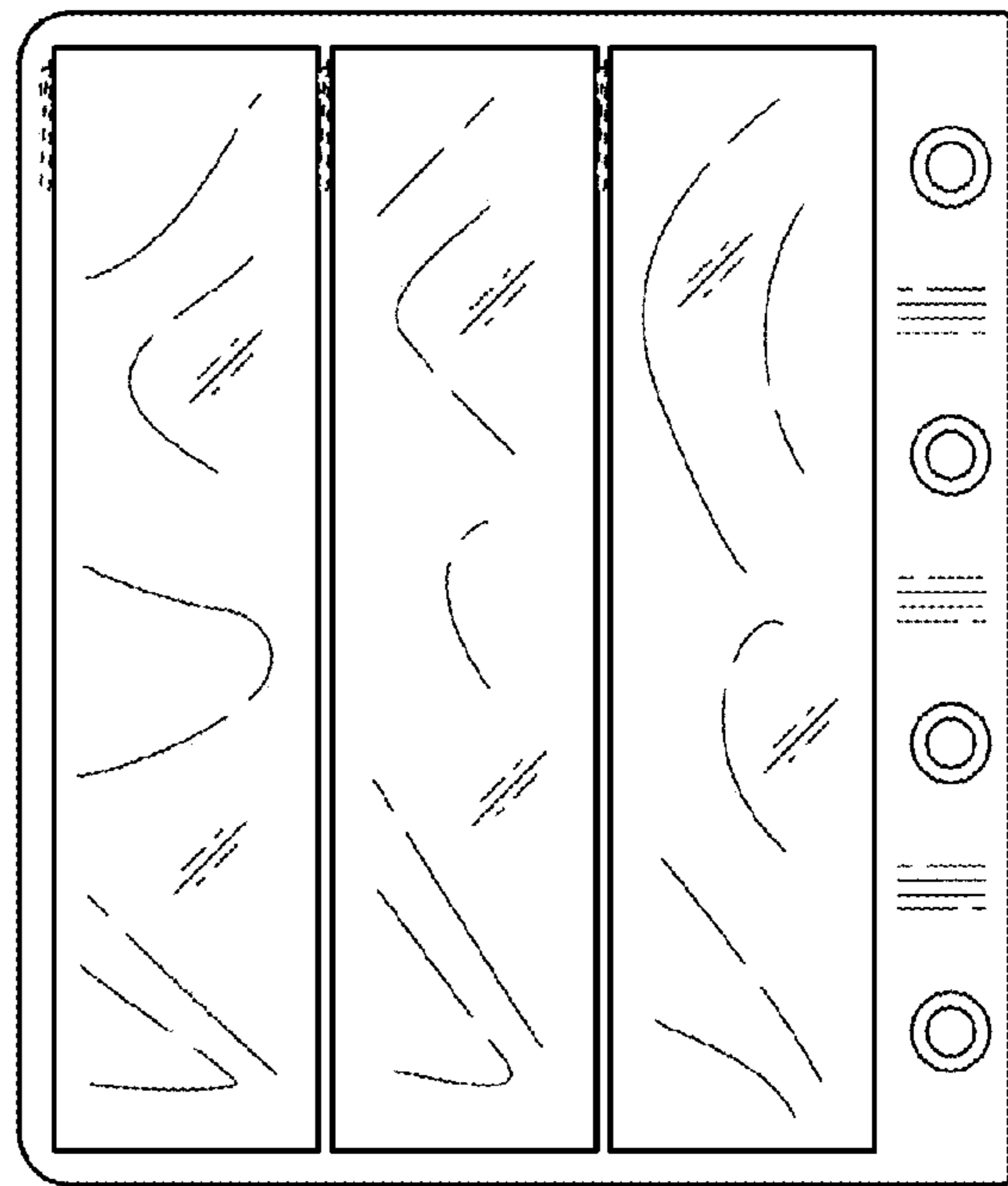


FIG. 17



FIG. 16



FIG. 18

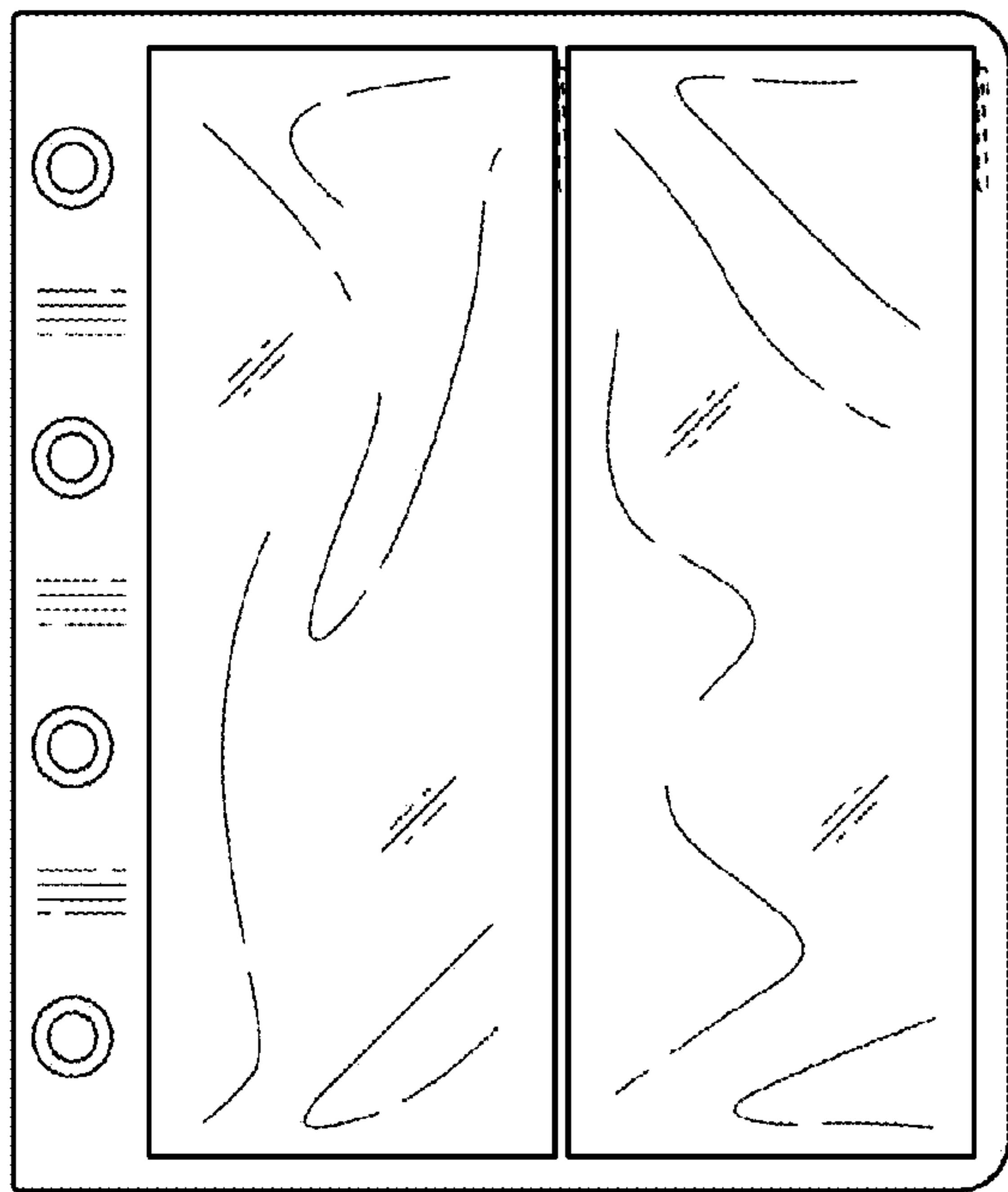


FIG. 19

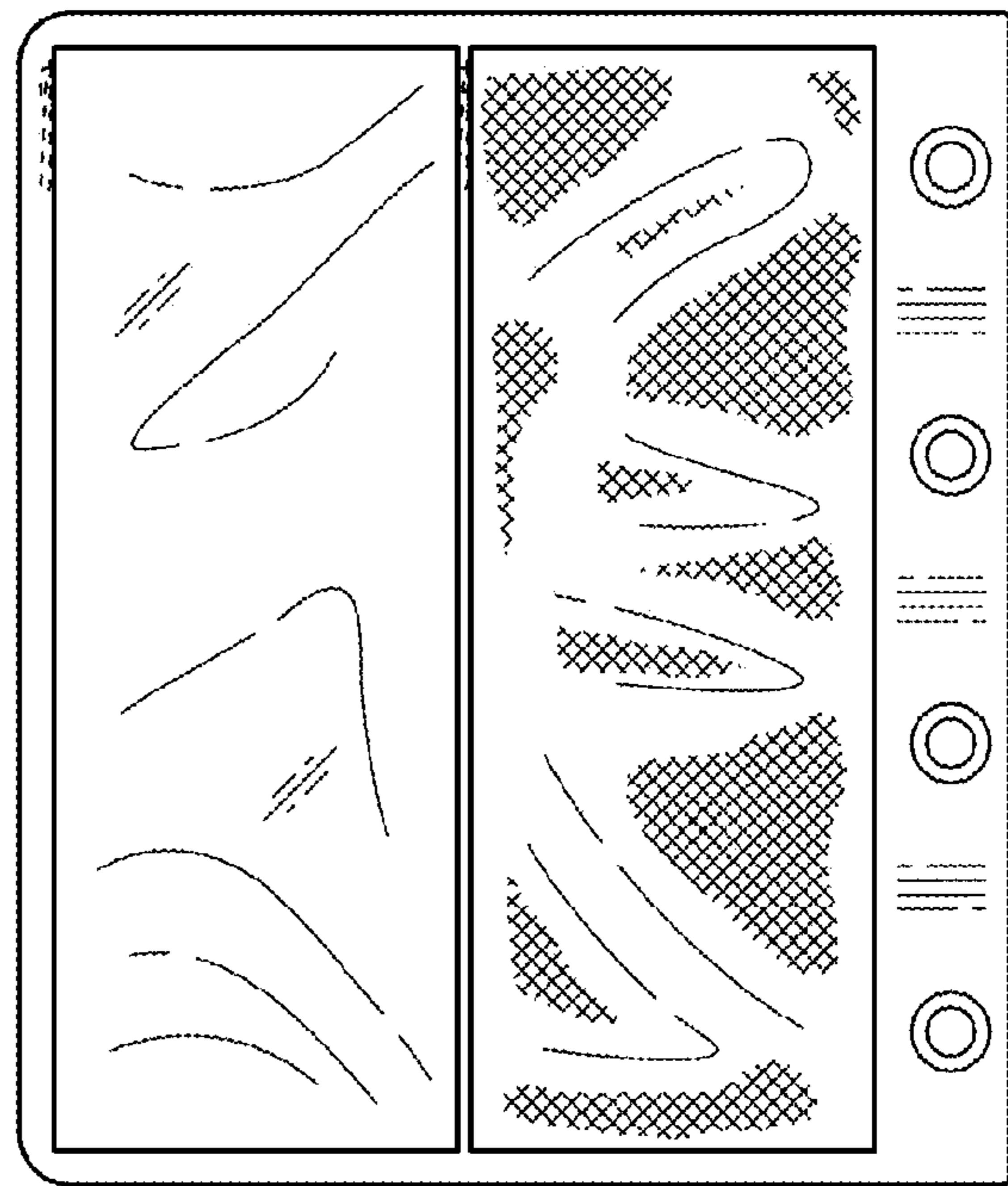


FIG. 21



FIG. 20



FIG. 22