



US00D985937S

(12) **United States Design Patent**  
**Bullock et al.**

(10) **Patent No.:** **US D985,937 S**

(45) **Date of Patent:** **\*\* May 16, 2023**

(54) **CONTAINER**

(71) Applicant: **YETI Coolers, LLC**, Austin, TX (US)

(72) Inventors: **Dustin Bullock**, Austin, TX (US);  
**Walter T. Blanchard**, Manor, TX (US);  
**Nicholas James Lombardi**, Austin, TX (US);  
**Michael Christopher Cieszko**, Austin, TX (US);  
**Derek G. Sullivan**, Austin, TX (US)

(73) Assignee: **YETI Coolers, LLC**, Austin, TX (US)

(\*\*) Term: **15 Years**

(21) Appl. No.: **29/762,442**

(22) Filed: **Dec. 16, 2020**

(51) **LOC (14) Cl.** ..... **03-01**

(52) **U.S. Cl.**  
USPC ..... **D3/276; D3/294**

(58) **Field of Classification Search**  
USPC ..... D7/300, 300.1, 312, 313, 354, 355, 360,  
D7/361, 387, 391, 392, 396.2, 509, 510,  
(Continued)

(56) **References Cited**

**U.S. PATENT DOCUMENTS**

286,909 A 10/1883 Commander  
749,959 A 1/1904 Curtiss  
(Continued)

**FOREIGN PATENT DOCUMENTS**

BE 1013040 A3 8/2001  
BE 1016429 A3 10/2006  
(Continued)

**OTHER PUBLICATIONS**

Design No. 307145073, Jun. 16, 2021—China National Intellectual Property Administration (CNIPA) Publication Date—Mar. 8, 2022

Owner—YETI Coolers LLC., Designer—Dustin Block WIPO, available at <https://www3.wipo.int/designdb/en/index.jsp> (Year: 2022).\*

(Continued)

*Primary Examiner* — Mary Ann Calabrese  
*Assistant Examiner* — Natalya M Rapundalo  
(74) *Attorney, Agent, or Firm* — Banner & Witcoff, Ltd.

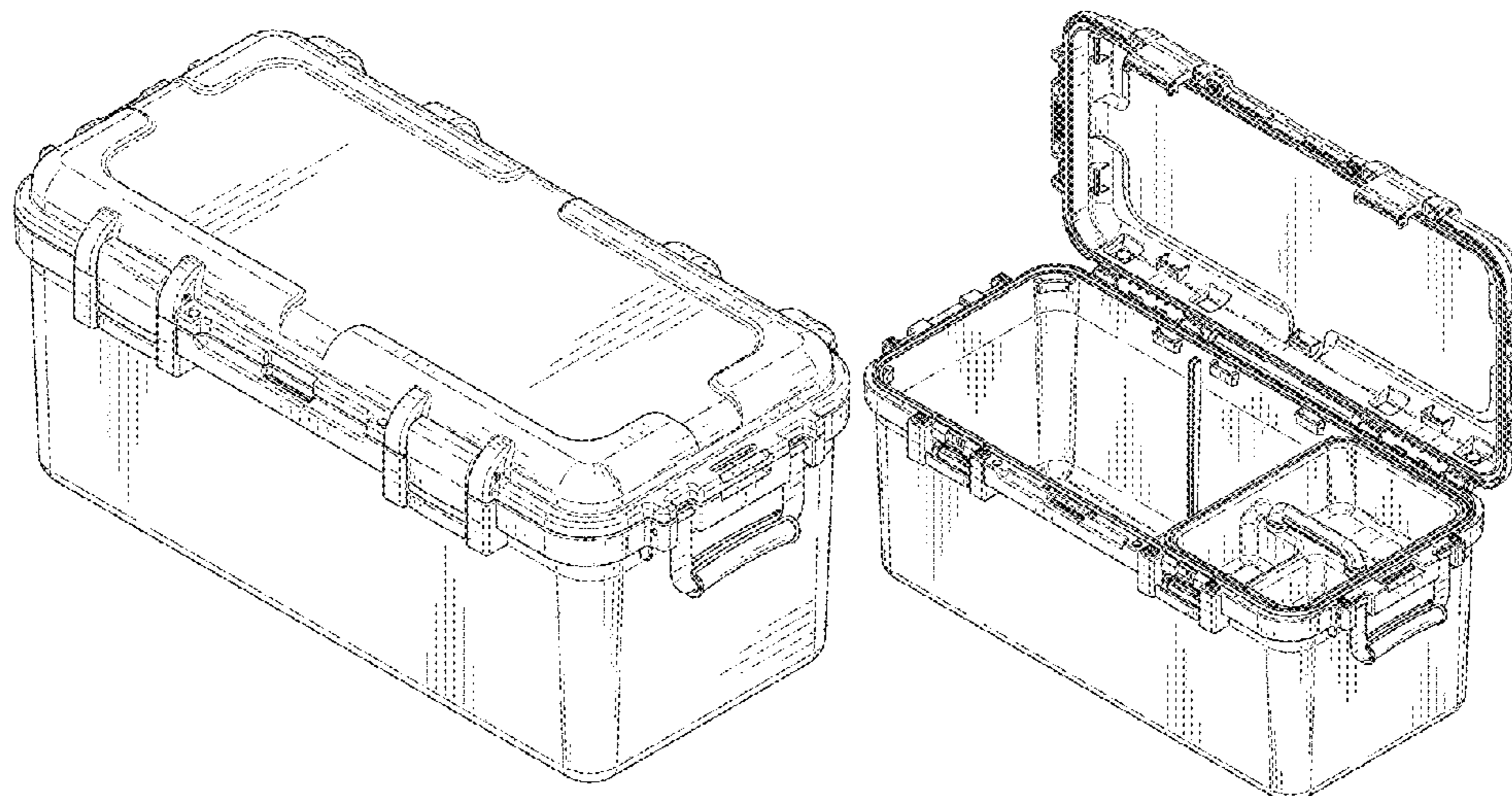
(57) **CLAIM**

The ornamental design for a container, as shown and described.

**DESCRIPTION**

FIG. 1 is a front perspective view of a container showing our new design;  
FIG. 2 is a front view thereof;  
FIG. 3 is a rear view thereof;  
FIG. 4 is a right side view thereof;  
FIG. 5 is a left side view thereof;  
FIG. 6 is a top view thereof;  
FIG. 7 is a bottom view thereof;  
FIG. 8 is a front perspective view of the container of FIGS. 1-7 in an open configuration;  
FIG. 9 is a front view thereof;  
FIG. 10 is a rear view thereof;  
FIG. 11 is a right side view thereof;  
FIG. 12 is a left side view thereof;  
FIG. 13 is a top view thereof;  
FIG. 14 is a bottom view thereof;  
FIG. 15 is a front perspective view of the container of FIGS. 1-14 in an open configuration with the internal caddy removed;  
FIG. 16 is a front view thereof;  
FIG. 17 is a rear view thereof;  
FIG. 18 is a right side view thereof;  
FIG. 19 is a left side view thereof;  
FIG. 20 is a top view thereof; and,  
FIG. 21 is a bottom view thereof.  
The broken lines and unshaded areas within the broken line regions depict portions of the container that form no part of the claimed design.

**1 Claim, 18 Drawing Sheets**



(58) **Field of Classification Search**

USPC ..... D7/511, 512, 513, 523, 533, 536,  
 D7/601-608, 619.1, 622, 624.1-624.3,  
 D7/625, 629, 630, 709; D3/202,  
 D3/215-217, 272-274, 276, 279, 283,  
 D3/284, 294, 295, 299, 301, 318, 327;  
 D15/81, 83  
 CPC .... A45C 5/00; A45C 5/04; A45C 5/14; A45C  
 11/20; A45C 11/22; A45C 13/02; A47J  
 27/002; A47J 27/004; A47J 36/10; A47J  
 36/24; A47J 36/2483; A47J 36/32; A47J  
 47/10; B29C 66/53461; B65D 43/02;  
 B65D 43/162; B65D 2543/00092; B65D  
 81/3386; B65D 81/38; B65D 81/3802;  
 B65D 81/3823; B65D 81/3837; B65D  
 81/3839; B65D 81/3841; B65D 81/3844;  
 B65D 81/3846; B65D 81/3876; B67D  
 1/0857; B67D 3/0009; F25D 3/02; F25D  
 3/0812; F25D 3/14; F25D 31/002; F25D  
 31/007; F25D 31/008; F25D 2331/801;  
 F25D 2331/803; F25D 2331/804; F25D  
 2331/8041; F25D 2331/805; F25D  
 2331/806; F25D 2331/809; F25D 2400/16  
 See application file for complete search history.

(56) **References Cited**

U.S. PATENT DOCUMENTS

1,008,041 A	11/1911	Leonard	3,886,625 A	6/1975	Rollband
1,056,648 A	3/1913	Earley	3,902,628 A	9/1975	Schurman
2,101,337 A	12/1937	Komenak	3,915,362 A	10/1975	Hart
2,109,928 A	3/1938	Passalaqua	3,917,038 A	11/1975	Foge et al.
2,183,121 A	12/1939	Levine	3,933,269 A	1/1976	Mastrovito
2,439,660 A	4/1948	Keil	3,955,656 A	5/1976	Kashinski
2,455,069 A	11/1948	Launder	3,987,829 A	10/1976	Leone
2,472,491 A	6/1949	Quinton	3,991,921 A	11/1976	Hirsch
2,510,643 A	6/1950	Long	4,094,392 A	6/1978	Gregg et al.
2,565,939 A	8/1951	Wriston	4,095,711 A	6/1978	Conley
2,574,089 A	11/1951	Cochran	4,116,479 A	9/1978	Poe
2,577,951 A	12/1951	Cortsen	4,143,442 A	3/1979	Harlang
2,581,417 A	1/1952	Jones	4,153,178 A	5/1979	Weavers
2,604,961 A	7/1952	Koch	4,184,705 A	1/1980	Little
2,647,653 A	8/1953	Dube	D256,630 S	9/1980	Maney
2,717,093 A	9/1955	Mautner	D257,218 S	10/1980	Eriksson
2,747,732 A	5/1956	Fischer	4,249,760 A	2/1981	Conley
2,803,956 A	8/1957	Womer	4,254,850 A	3/1981	Knowles
2,874,401 A	2/1959	Kotkins	4,273,223 A	6/1981	Tomlinson
2,912,080 A	11/1959	Ikelheimer	4,343,412 A	8/1982	Wilcox et al.
2,931,205 A	4/1960	Schmitz	4,351,165 A	9/1982	Gottsegen et al.
2,936,189 A	5/1960	Pearson	4,446,705 A	5/1984	Loucks
3,009,193 A	11/1961	Lifton	4,465,189 A	8/1984	Molzan
3,057,636 A	10/1962	D'Ettorre	4,476,988 A	10/1984	Tanner
3,141,680 A	7/1964	McCord	4,509,622 A	4/1985	Morszeck
3,191,244 A	6/1965	Burke	4,515,421 A	5/1985	Steffes
3,202,310 A	8/1965	Tibbets	4,516,686 A	5/1985	Chaussepied
3,225,983 A	12/1965	Majka	4,522,312 A	6/1985	Rathgeber et al.
3,250,558 A	5/1966	McClintock	4,523,692 A	6/1985	Lemkin
3,259,412 A	7/1966	Wheeler	4,550,813 A	11/1985	Browning
3,416,701 A	12/1968	Kramer et al.	4,561,526 A	12/1985	Winter et al.
3,432,025 A	3/1969	Luhe	4,573,202 A	2/1986	Lee
3,464,579 A	9/1969	Asenbauer	4,575,109 A	3/1986	Cowdery
3,519,298 A	7/1970	Gley	D283,666 S	5/1986	Holz Kopf
3,565,305 A	2/1971	Belokin, Jr.	4,592,482 A	6/1986	Seager
3,642,168 A	2/1972	Wiley, Jr. et al.	4,615,464 A	10/1986	Byrns
3,656,650 A	4/1972	Frater	4,662,188 A	5/1987	Hullihan
3,661,410 A	5/1972	Larson et al.	4,673,207 A	6/1987	Reynolds et al.
3,688,942 A	9/1972	Mitchell et al.	D290,908 S	7/1987	Thomas
3,690,708 A	9/1972	Worley et al.	4,706,344 A	11/1987	Tanaka et al.
3,741,433 A	6/1973	Bentley et al.	4,707,011 A	11/1987	McKim, Jr.
3,831,224 A	8/1974	MacMaster et al.	4,712,657 A	12/1987	Myers et al.
3,847,423 A	11/1974	Gley	4,746,008 A	5/1988	Heverly et al.
3,861,504 A	1/1975	McGraw	4,768,815 A	9/1988	Harmon
3,882,914 A	5/1975	Strutz	4,775,072 A	10/1988	Lundblade et al.
			4,792,024 A	12/1988	Morton et al.
			4,802,344 A	2/1989	Livingston et al.
			4,805,272 A	2/1989	Yamaguchi
			4,826,060 A	5/1989	Hollingsworth
			4,858,444 A	8/1989	Scott
			4,873,841 A	10/1989	Bradshaw et al.
			4,899,904 A	2/1990	Dooley et al.
			4,904,007 A	2/1990	Woodruff
			4,917,261 A	4/1990	Borst
			4,928,800 A	5/1990	Green et al.
			4,930,649 A	6/1990	Moser
			4,975,073 A	12/1990	Weisman
			4,982,863 A	1/1991	Skillius
			5,011,013 A	4/1991	Meisner et al.
			5,011,020 A	4/1991	Stevens et al.
			5,014,830 A	5/1991	Seynhaeve
			5,024,471 A	6/1991	Kahl et al.
			5,040,834 A	8/1991	Kahl et al.
			5,044,513 A	9/1991	Van Berne
			5,062,557 A	11/1991	Mahvi et al.
			5,075,925 A	12/1991	Maloney
			5,080,250 A	1/1992	Dickinson et al.
			5,096,030 A	3/1992	Espinosa et al.
			5,101,541 A	4/1992	Watanabe
			5,111,920 A	5/1992	Castelli et al.
			D327,427 S	6/1992	McCooley
			5,117,952 A	6/1992	Suh
			D328,186 S	7/1992	Hanke
			5,139,294 A	8/1992	Ward et al.
			D329,135 S	9/1992	Embree
			5,153,561 A	10/1992	Johnson
			5,165,583 A	11/1992	Kouwenberg
			5,167,433 A	12/1992	Ryan
			5,169,018 A	12/1992	Fiore

(56)

## References Cited

## U.S. PATENT DOCUMENTS

D333,775 S	3/1993	Krape	D387,249 S	12/1997	Mogil
D334,870 S	4/1993	Griffin	D387,558 S	12/1997	Mann et al.
D335,030 S	4/1993	Alfonso	D387,626 S	12/1997	Melk
5,205,413 A	4/1993	Cautereels et al.	5,704,158 A	1/1998	Whiteaker
5,213,381 A	5/1993	Anderson	5,718,350 A	2/1998	Williams
5,216,905 A	6/1993	Sersch et al.	D392,510 S	3/1998	Perez
5,235,830 A	8/1993	Benge	5,727,844 A	3/1998	O'Quinn et al.
D340,167 S	10/1993	Kahl	5,732,987 A	3/1998	Wright et al.
D342,609 S	12/1993	Brightbill	5,755,311 A	5/1998	Younessian et al.
5,269,157 A	12/1993	Ciminelli et al.	5,762,242 A	6/1998	Yost
5,282,706 A	2/1994	Anthony et al.	5,762,411 A	6/1998	Yemini
5,295,369 A	3/1994	Garcia	5,769,194 A	6/1998	Chang
D347,114 S	5/1994	Tengvall	5,797,488 A	8/1998	Yemini
5,313,817 A	5/1994	Meinders	5,803,472 A	9/1998	Lien
D347,971 S	6/1994	Krugman	5,813,503 A	9/1998	Chang
D348,343 S	6/1994	Lang-Ree et al.	5,816,185 A	10/1998	Ruthrford
5,319,937 A	6/1994	Fritsch et al.	5,823,550 A	10/1998	Bennett et al.
5,322,178 A	6/1994	Foos	5,826,718 A	10/1998	Ahern, Jr. et al.
5,335,451 A	8/1994	Druzynski	5,826,770 A	10/1998	Chuang
D351,533 S	10/1994	Lynam, Jr.	5,839,553 A	11/1998	Dorsam
5,353,946 A	10/1994	Behrend	5,860,281 A	1/1999	Coffee et al.
5,358,082 A	10/1994	Armstrong, IV	5,865,281 A	2/1999	Wang
5,373,708 A	12/1994	Dumoulin, Jr.	5,875,948 A	3/1999	Sadler
D355,568 S	2/1995	Paulin et al.	5,887,745 A	3/1999	Wood
5,390,811 A	2/1995	Ogino et al.	5,896,962 A	4/1999	Smith et al.
5,402,557 A	4/1995	Dalen	5,901,571 A	5/1999	Whaley
D358,765 S	5/1995	Dickinson et al.	5,904,269 A	5/1999	Wolff
5,419,432 A	5/1995	Ingram	D410,387 S	6/1999	Jacques
5,423,644 A	6/1995	First, Sr.	5,924,303 A	7/1999	Hodosh
5,427,308 A	6/1995	Swift et al.	5,933,929 A	8/1999	Kawakami et al.
D359,836 S	7/1995	Shuler	5,934,716 A	8/1999	Koveal et al.
5,431,263 A	7/1995	Nordstrom	5,940,940 A	8/1999	Tanikoshi et al.
5,435,256 A	7/1995	Svehaug	5,950,368 A	9/1999	Bradford
D361,664 S	8/1995	Brown	5,956,805 A	9/1999	Huang
D361,888 S	9/1995	Kahl et al.	5,957,321 A	9/1999	Jones
5,454,477 A	10/1995	Bornhorst et al.	D414,673 S	10/1999	Dickinson et al.
D364,426 S	11/1995	Bucaccio	5,971,218 A	10/1999	Le
5,465,985 A	11/1995	Devan et al.	5,975,334 A	11/1999	Mayo
5,478,097 A	12/1995	Forma	5,984,064 A	11/1999	Byington
D367,360 S	2/1996	Wolff	5,984,326 A	11/1999	Abraham et al.
D368,161 S	3/1996	Miller	5,984,382 A	11/1999	Bourne et al.
D369,342 S	4/1996	Williams	5,988,658 A	11/1999	Ritchie et al.
D369,695 S	5/1996	Imotani	6,015,072 A	1/2000	Young
5,518,139 A	5/1996	Trower et al.	D419,767 S	2/2000	Richardson et al.
5,519,919 A	5/1996	Lee	D419,768 S	2/2000	Richardson et al.
D370,619 S	6/1996	Hall et al.	D420,221 S	2/2000	Williams et al.
D371,051 S	6/1996	Melk	6,039,205 A	3/2000	Flink
D371,052 S	6/1996	Melk	6,047,976 A	4/2000	Wang
5,524,737 A	6/1996	Wang	6,050,373 A	4/2000	Wonka et al.
5,526,953 A	6/1996	Chieng	D425,301 S	5/2000	Sagol
D371,724 S	7/1996	Melk	6,079,083 A	6/2000	Akashi
D371,942 S	7/1996	Lippincott et al.	6,079,754 A	6/2000	Alexy
5,533,231 A	7/1996	Bai	D427,882 S	7/2000	Wytcherley et al.
D373,514 S	9/1996	Melk	D428,698 S	8/2000	Cheng
D373,515 S	9/1996	Melk	6,105,767 A	8/2000	Vasudeva
5,564,805 A	10/1996	Dickinson	6,129,231 A	10/2000	Hsiao et al.
5,568,848 A	10/1996	Liang	6,135,253 A	10/2000	Weissman et al.
5,570,915 A	11/1996	Asadurian	6,152,501 A	11/2000	Magi et al.
5,575,362 A	11/1996	Franklin et al.	D435,780 S	1/2001	Tieu
5,590,891 A	1/1997	Kazmark, Jr.	6,167,994 B1	1/2001	Kuo et al.
5,603,545 A	2/1997	Benson et al.	6,170,122 B1	1/2001	Kuo
5,620,212 A	4/1997	Bourne et al.	6,176,499 B1	1/2001	Conrado et al.
5,620,213 A	4/1997	Ellis	6,176,559 B1	1/2001	Tiramani et al.
5,626,373 A	5/1997	Chambers et al.	6,179,176 B1	1/2001	Saggese et al.
5,630,630 A	5/1997	Price et al.	D440,118 S	4/2001	Claffy et al.
D380,369 S	7/1997	Antonucci	D441,954 S	5/2001	Parker
D381,512 S	7/1997	Green	6,234,287 B1	5/2001	Pfeiffer
D381,562 S	7/1997	Westcott	6,244,064 B1	6/2001	Powell et al.
D381,871 S	8/1997	Melk	6,244,066 B1	6/2001	LaRose
D382,114 S	8/1997	Dickinson et al.	6,244,458 B1	6/2001	Frysinger et al.
D383,306 S	9/1997	Pennoyer	6,247,203 B1	6/2001	Kuo
D383,603 S	9/1997	Pedlar	6,247,328 B1	6/2001	Mogil
5,662,223 A	9/1997	Sylegård	6,260,240 B1	7/2001	Akashi et al.
5,683,097 A	11/1997	Fenton et al.	6,279,971 B1	8/2001	Dessenberger, Jr.
5,688,001 A	11/1997	Klein et al.	6,289,554 B1	9/2001	Wang
			6,289,684 B1	9/2001	Guidry, II et al.
			D449,163 S	10/2001	Dahlen et al.
			6,305,185 B1	10/2001	Sloan
			D451,278 S	12/2001	Cooper

(56)

References Cited

U.S. PATENT DOCUMENTS

6,343,815 B1	2/2002	Poe	6,761,366 B1	7/2004	Klemmensen et al.
D454,292 S	3/2002	Plummer et al.	6,779,681 B2	8/2004	Doerfler et al.
6,353,978 B1	3/2002	Kawahara et al.	6,789,692 B2	9/2004	Prezelin
6,357,080 B1	3/2002	Tsai	6,793,096 B1	9/2004	Seok
6,360,400 B1	3/2002	Chang	D497,480 S	10/2004	Drew et al.
6,363,739 B1	4/2002	Hodosh et al.	D498,053 S	11/2004	Nordstrom et al.
6,367,602 B1	4/2002	Chang	D498,054 S	11/2004	Moon
6,371,320 B2	4/2002	Sagol	6,821,019 B2	11/2004	Mogil
6,371,346 B1	4/2002	Sharma	D500,598 S	1/2005	Ramos
6,375,237 B1	4/2002	Koenig	6,877,189 B2	4/2005	Simonson et al.
D457,724 S	5/2002	Och	6,883,208 B1	4/2005	Huang
D457,725 S	5/2002	Parsons	D505,011 S	5/2005	Einav
6,389,645 B1	5/2002	Polidoro	6,895,789 B2	5/2005	Masseth, Jr. et al.
6,398,272 B1	6/2002	Plummer et al.	D508,376 S	8/2005	Bhavnani
6,401,308 B1	6/2002	Kawahara	6,929,145 B2	8/2005	Shepler
6,422,386 B1	7/2002	Wiese et al.	6,955,381 B2	10/2005	Parker et al.
6,427,475 B1	8/2002	DeFelice et al.	6,981,780 B2	1/2006	Einav
6,427,501 B2	8/2002	Ramsauer	6,983,946 B2	1/2006	Sullivan et al.
D462,519 S	9/2002	Gaydos et al.	D515,362 S	2/2006	Chan
6,446,382 B1	9/2002	Cloutier et al.	D517,947 S	3/2006	Hollingworth et al.
6,446,988 B1	9/2002	Kho	7,017,740 B2	3/2006	Itzkovitch
D464,196 S *	10/2002	Parker ..... D3/273	7,028,730 B2	4/2006	Pace et al.
D464,485 S	10/2002	Sward et al.	D520,237 S	5/2006	Cheng
6,467,779 B1	10/2002	Mills	7,040,115 B1	5/2006	Lopez et al.
6,478,463 B2	11/2002	Snider	D522,751 S	6/2006	Irwin et al.
6,481,239 B2	11/2002	Hodosh et al.	D522,811 S	6/2006	Martinez et al.
D466,439 S	12/2002	Wagner et al.	D523,242 S	6/2006	Hardigg et al.
D467,424 S	12/2002	Hardigg et al.	D523,634 S	6/2006	Dost et al.
D467,425 S	12/2002	Hardigg et al.	7,066,311 B2	6/2006	O'Shea
D467,426 S	12/2002	Hardigg et al.	D525,714 S	7/2006	Ueda
6,497,311 B2	12/2002	Tiramani et al.	7,082,641 B1	8/2006	Jung et al.
6,497,438 B1	12/2002	Holub et al.	7,093,699 B2	8/2006	Yu
6,499,574 B1	12/2002	Anthony	D528,800 S	9/2006	Liu et al.
6,502,677 B1	1/2003	Tiramani et al.	D530,095 S	10/2006	Herzberg
6,508,389 B1	1/2003	Ripoyla et al.	7,162,890 B2	1/2007	Mogil et al.
6,520,514 B2	2/2003	Clegg	D537,251 S	2/2007	Musgrove
D471,711 S	3/2003	Addison	7,171,731 B1	2/2007	Borcherding
6,527,309 B1	3/2003	Gaydos et al.	D539,543 S	4/2007	Wu
6,532,624 B1	3/2003	Yang	D540,540 S	4/2007	Szyf et al.
D472,431 S	4/2003	Spence, Jr.	D540,651 S	4/2007	Wolf, V
6,543,096 B2	4/2003	Settelmayer et al.	D540,652 S	4/2007	Wolf, V
6,547,218 B2	4/2003	Landy	D544,211 S	6/2007	Herzberg
6,547,289 B1	4/2003	Greenheck et al.	7,237,660 B2	7/2007	Wu
6,550,592 B1	4/2003	Godshaw et al.	7,246,704 B2	7/2007	Brunson et al.
6,554,327 B1	4/2003	Riley	7,246,718 B2	7/2007	Einav et al.
D474,649 S	5/2003	Spence, Jr.	D552,352 S	10/2007	Lin
6,574,983 B2	6/2003	Smith et al.	D553,857 S	10/2007	Pendergraph et al.
6,585,090 B2	7/2003	Harvey	7,284,393 B1	10/2007	Macmillan
D477,916 S	8/2003	Nykoluk	7,284,763 B1	10/2007	King
D478,782 S	8/2003	Li	D555,902 S	11/2007	Pendergraph et al.
6,612,411 B2	9/2003	Nykoluk et al.	7,296,434 B2	11/2007	Scroggs
6,619,448 B1	9/2003	Wang	7,306,243 B2	12/2007	Van Horn et al.
D481,293 S	10/2003	Ayrest	7,309,106 B2	12/2007	Stallman
6,637,077 B2	10/2003	Doty	D562,646 S	2/2008	Lown et al.
6,637,562 B2	10/2003	Oh	7,334,680 B2	2/2008	Cunningham et al.
D482,593 S	11/2003	Wolf	7,334,802 B2	2/2008	Kaplan
6,640,397 B1	11/2003	Gipson	D563,101 S	3/2008	Kuchler
6,646,864 B2	11/2003	Richardson	7,344,028 B2	3/2008	Hanson
D484,004 S	12/2003	Lee	D566,479 S	4/2008	Kabalin
6,658,903 B1	12/2003	McShane et al.	7,367,451 B2	5/2008	Pendergraph et al.
6,679,358 B2	1/2004	Be	7,370,891 B1	5/2008	Schmitt et al.
6,679,359 B2	1/2004	Pfeiffer	D570,601 S	6/2008	Drew et al.
6,691,451 B1	2/2004	Keenan	D570,603 S	6/2008	Wu et al.
D487,348 S	3/2004	Fenton et al.	7,387,350 B2	6/2008	Killinger et al.
6,698,608 B2	3/2004	Parker et al.	D572,577 S	7/2008	Hatton
6,718,559 B1	4/2004	Davidson	7,397,674 B2	7/2008	Schlack
D489,531 S	5/2004	Oh	D574,150 S	8/2008	Ross
D489,595 S	5/2004	Gleichauf et al.	D574,667 S	8/2008	Grabijas, III et al.
6,736,265 B2	5/2004	Kipper et al.	D575,059 S	8/2008	Cappiello et al.
D490,980 S	6/2004	Concari	7,415,794 B1	8/2008	Thompson
D491,797 S	6/2004	Eriksson	7,418,311 B1	8/2008	Lagasey et al.
D492,184 S	6/2004	Parker et al.	D578,758 S	10/2008	Stevens et al.
6,755,448 B2	6/2004	Jackson et al.	D579,202 S	10/2008	Grenier et al.
D493,286 S	7/2004	Concari	7,434,410 B2	10/2008	Ford
6,757,942 B2	7/2004	Matsui et al.	7,441,641 B2	10/2008	Beakey
			D581,161 S	11/2008	Tong
			D582,678 S	12/2008	Rekuc et al.
			7,458,481 B2	12/2008	Yuen
			7,461,871 B2	12/2008	Vauchel

(56)

## References Cited

## U.S. PATENT DOCUMENTS

7,475,782 B2	1/2009	Lombardi	8,091,731 B2	1/2012	Kidd et al.
D587,902 S	3/2009	Yoneno	8,096,152 B2	1/2012	Wagh et al.
7,503,439 B2	3/2009	O'Shea et al.	8,096,442 B2	1/2012	Ramundi
D590,694 S	4/2009	Stuckey	8,099,836 B2	1/2012	Breeden et al.
7,516,520 B2	4/2009	Kelagher et al.	D654,694 S	2/2012	Wu
7,516,842 B2	4/2009	Gu	8,141,211 B2	3/2012	Weyer et al.
D591,511 S	5/2009	Wu	D659,395 S	5/2012	Sijmons
7,530,405 B2	5/2009	Kollath et al.	D660,000 S	5/2012	Peterson et al.
7,533,782 B2	5/2009	Parker et al.	8,167,166 B2	5/2012	Kidd et al.
7,540,364 B2	6/2009	Sanderson	8,176,749 B2	5/2012	LaMere et al.
7,549,652 B2	6/2009	Wu	8,191,747 B2	6/2012	Pruchnicki
D596,400 S	7/2009	Chu et al.	8,210,353 B2	7/2012	Epicureo
D597,652 S	8/2009	Tang	8,214,972 B2	7/2012	Lai
7,568,739 B2	8/2009	Lee	D664,891 S	8/2012	Takeda
7,571,915 B1	8/2009	Simmons	D665,166 S	8/2012	Khalifa et al.
D600,912 S	9/2009	Brunner	D666,002 S	8/2012	Lai
7,581,656 B2	9/2009	Gnepper et al.	8,245,868 B2	8/2012	Ikeda et al.
D602,252 S	10/2009	Ehret	8,251,113 B2	8/2012	Baxter
7,604,290 B1	10/2009	Giordano	8,251,245 B2	8/2012	DiPietro et al.
7,607,540 B2	10/2009	Ballard	D666,831 S	9/2012	Kinskey et al.
D603,165 S	11/2009	Losiewicz	D666,832 S	9/2012	Kinskey et al.
D605,896 S	12/2009	Zalewski et al.	D667,697 S	9/2012	Shah
D607,697 S	1/2010	Whitlock et al.	8,256,156 B1	9/2012	Burgoyne, Jr.
D608,159 S	1/2010	Whitlock et al.	D668,049 S	10/2012	Buller
D608,601 S	1/2010	Whitlock et al.	8,286,828 B2	10/2012	Schafer
D610,349 S	2/2010	Ehret	8,287,009 B2	10/2012	Dane et al.
7,658,269 B2	2/2010	Wu	8,292,119 B2	10/2012	Kenneally
7,669,436 B2	3/2010	Mogil et al.	8,297,464 B2	10/2012	Grenier et al.
7,688,584 B1	3/2010	Becklin	D670,502 S	11/2012	Wu
D613,560 S	4/2010	Robichaud et al.	8,328,247 B2	12/2012	Tonelli
D614,404 S	4/2010	Brunner	8,336,708 B2	12/2012	Potterfield et al.
7,703,588 B2	4/2010	Chiang	D674,192 S	1/2013	Li
7,722,204 B1	5/2010	Sandberg	8,342,580 B2	1/2013	Cowie et al.
D617,561 S	6/2010	Salerno-Tortora	8,378,323 B1	2/2013	Spann et al.
7,735,261 B2	6/2010	Sellati	8,382,171 B2	2/2013	Williams
D618,966 S	7/2010	Koehler et al.	D677,896 S	3/2013	Wu
D619,423 S	7/2010	Koehler et al.	D678,749 S	3/2013	Tung
D619,854 S	7/2010	Koehler et al.	D678,750 S	3/2013	Tung
D619,855 S	7/2010	Koehler et al.	8,424,930 B2	4/2013	Matsubara et al.
7,748,232 B2	7/2010	Kang	8,430,284 B2	4/2013	Broadbent et al.
D624,315 S	9/2010	Amatrudo	D681,337 S	5/2013	Wu
7,806,287 B2	10/2010	Rouns	8,459,058 B2	6/2013	Mogil
D626,451 S	11/2010	Helwig et al.	8,459,422 B1	6/2013	Efron
D627,162 S	11/2010	Weng	8,459,487 B2	6/2013	Sharma et al.
D627,199 S	11/2010	Pruchnicki	8,459,495 B2	6/2013	Koenig et al.
7,841,207 B2	11/2010	Mogil et al.	D685,186 S	7/2013	Massaud
D629,200 S	12/2010	Turella-Yuan et al.	8,474,098 B1	7/2013	Yang
7,854,321 B2	12/2010	Twig et al.	8,484,813 B2	7/2013	Taniguchi et al.
D630,435 S	1/2011	Brunner	8,490,413 B2	7/2013	Blackway et al.
7,861,552 B1	1/2011	Hughes	8,496,133 B2	7/2013	Mizukoshi et al.
7,861,834 B2	1/2011	Gorga et al.	D688,589 S	8/2013	Hung et al.
7,874,047 B2	1/2011	Breeden	8,505,729 B2	8/2013	Sosnovsky et al.
7,874,408 B2	1/2011	Suppangig	8,517,211 B2	8/2013	Brown et al.
D633,300 S	3/2011	Fair	D688,920 S	9/2013	Manley et al.
D634,545 S	3/2011	Fair	D690,939 S	10/2013	Lintz et al.
7,909,148 B1	3/2011	Miller et al.	D691,808 S	10/2013	Wu
D635,366 S	4/2011	Luburic	8,544,648 B2	10/2013	Cleveland et al.
D636,292 S	4/2011	Brown	8,561,264 B2	10/2013	Hasegawa et al.
7,922,052 B2	4/2011	Podschus	8,561,269 B2	10/2013	LeCompte et al.
D637,811 S	5/2011	Hong	8,567,631 B2	10/2013	Brunner
7,937,884 B1	5/2011	Naylor et al.	8,567,796 B2	10/2013	Bar-Erez et al.
7,959,194 B2	6/2011	Mahoney	D692,657 S	11/2013	Hyma et al.
D642,379 S	8/2011	Buller	8,572,821 B2	11/2013	Hasegawa
D643,624 S	8/2011	Hong	8,573,399 B2	11/2013	Ulmer et al.
D643,629 S	8/2011	Sofy et al.	8,590,704 B2	11/2013	Koenig et al.
7,997,591 B2	8/2011	Arthur	8,590,724 B2	11/2013	Kreidler et al.
D644,434 S	9/2011	Miles et al.	8,596,485 B2	12/2013	Lindsay
8,016,153 B2	9/2011	Boenig et al.	8,596,487 B1	12/2013	Su
D646,528 S	10/2011	Stallman et al.	8,601,838 B2	12/2013	Hansen et al.
8,037,983 B2	10/2011	Leung	8,616,600 B2	12/2013	Owen
D648,538 S	11/2011	Reinhart et al.	D697,717 S	1/2014	Santy
D649,786 S	12/2011	Lipfert et al.	8,622,235 B2	1/2014	Suchecki
D650,585 S	12/2011	Jamison et al.	8,627,972 B2	1/2014	Thomas
D651,860 S	1/2012	Nie	D699,100 S	2/2014	Moreau et al.
D652,216 S	1/2012	Fair	D699,438 S	2/2014	Mathieu et al.
			8,640,937 B2	2/2014	Pruchnicki
			8,677,661 B2	3/2014	Michels et al.
			8,678,227 B2	3/2014	Patstone
			D701,697 S	4/2014	Sabbag et al.

(56)

## References Cited

## U.S. PATENT DOCUMENTS

D703,435 S	4/2014	Wile et al.	D732,350 S	6/2015	Seiders et al.
8,683,660 B2	4/2014	Hasegawa et al.	D732,823 S	6/2015	Baron
8,689,396 B2	4/2014	Wolfe et al.	D732,899 S	6/2015	Seiders et al.
D704,935 S	5/2014	Lintz et al.	D732,923 S	6/2015	Rechberg et al.
8,714,568 B2	5/2014	Allam et al.	9,045,264 B2	6/2015	Pils
8,740,010 B1	6/2014	Page	9,060,577 B2	6/2015	Farrelly et al.
8,757,642 B2	6/2014	Arthur et al.	9,067,081 B2	6/2015	Roach et al.
8,757,643 B2	6/2014	Arthur et al.	D734,742 S	7/2015	Fujioka
8,757,696 B2	6/2014	Schneider	9,079,595 B2	7/2015	Chen et al.
D709,336 S	7/2014	Liebenthal	9,085,403 B2	7/2015	Roach et al.
D709,696 S	7/2014	Wu	9,101,186 B2	8/2015	Lai
8,763,848 B2	7/2014	Carey	9,108,772 B2	8/2015	Hovatter
8,763,851 B2	7/2014	Jiang et al.	9,113,686 B1	8/2015	Bishop
8,770,426 B2	7/2014	Arnett et al.	9,114,909 B2	8/2015	Wagner
8,777,045 B2	7/2014	Mitchell et al.	D738,702 S	9/2015	Linares
D710,099 S	8/2014	Horovitz et al.	9,139,352 B2	9/2015	Seiders et al.
D710,610 S	8/2014	Sijmons et al.	D740,557 S	10/2015	Liao
D710,614 S	8/2014	Meersschaert	D740,558 S	10/2015	Liao
D711,104 S	8/2014	Lai	D741,064 S	10/2015	Ramos
D711,646 S	8/2014	Ke	D741,600 S	10/2015	Della Vecchia
D711,647 S	8/2014	Chen	9,163,871 B1	10/2015	Costello
D711,648 S	8/2014	Chen	9,169,678 B2	10/2015	Rozema
D711,649 S	8/2014	Chen	D743,171 S	11/2015	Reinhart
D712,143 S	9/2014	Chehebar	9,187,210 B2	11/2015	Zhu et al.
D714,056 S	9/2014	Weng	9,193,060 B2	11/2015	Ben-Gigi
D714,057 S	9/2014	Hou	D744,750 S	12/2015	Sabbag et al.
D714,064 S	9/2014	Kim	9,198,492 B2	12/2015	Chehebar
8,844,749 B2	9/2014	Manahan et al.	9,199,370 B2	12/2015	Crull
8,844,950 B2	9/2014	Greene et al.	9,199,657 B2	12/2015	Martin
8,850,666 B2	10/2014	Hasegawa et al.	9,204,699 B2	12/2015	Pickens et al.
8,851,282 B2	10/2014	Brunner	9,205,551 B2	12/2015	Green et al.
8,851,289 B2	10/2014	Shi	9,211,040 B2	12/2015	Lane
8,857,654 B2	10/2014	Mogil et al.	9,215,918 B2	12/2015	Kao et al.
8,863,975 B2	10/2014	McCanless	D747,639 S	1/2016	Linares
8,864,185 B2	10/2014	Do	D747,950 S	1/2016	Jacobsen et al.
8,864,189 B2	10/2014	Fournie et al.	D747,951 S	1/2016	Jacobsen et al.
D717,152 S	11/2014	Weinerman et al.	9,233,465 B2	1/2016	Lai
D718,051 S	11/2014	Frahm et al.	D748,452 S	2/2016	Jacobsen et al.
8,875,877 B2	11/2014	Cottle et al.	9,248,566 B2	2/2016	Horiyama et al.
8,875,888 B2	11/2014	Koenig et al.	9,254,901 B2	2/2016	Gill
8,875,934 B2	11/2014	Deka	9,259,090 B1	2/2016	Cronin
8,881,930 B2	11/2014	Banik	9,259,593 B2	2/2016	Roach et al.
8,887,515 B2	11/2014	Patstone	9,259,828 B2	2/2016	Bermes
D718,936 S	12/2014	Sanz et al.	9,266,462 B2	2/2016	Miller
D719,351 S	12/2014	Hailwood	D750,953 S	3/2016	Jacobsen et al.
8,905,412 B2	12/2014	Fux	D752,344 S	3/2016	Green
8,910,788 B2	12/2014	Roach et al.	9,272,820 B2	3/2016	Cowie
8,910,819 B2	12/2014	Seiders	9,278,704 B2	3/2016	Cates
8,919,596 B2	12/2014	Carino	9,290,297 B2	3/2016	Overath
D720,536 S	1/2015	Hsu	D752,862 S	4/2016	Riddiford et al.
D720,599 S	1/2015	Weinerman et al.	9,307,840 B2	4/2016	Restrepo et al.
D720,928 S	1/2015	Roncato	9,322,192 B2	4/2016	Burd
8,925,752 B2	1/2015	Smith	D755,518 S	5/2016	Sijmons
D722,771 S	2/2015	Wu	9,327,887 B2	5/2016	Farentinos et al.
D722,860 S	2/2015	Linares	9,340,224 B2	5/2016	Yoder et al.
8,944,476 B1	2/2015	Henderson	9,341,003 B2	5/2016	Ely et al.
8,960,430 B2	2/2015	Roach et al.	9,341,403 B2	5/2016	Conrad et al.
8,960,735 B2	2/2015	Michael et al.	9,346,616 B2	5/2016	Foster
D724,323 S	3/2015	Wang	9,351,550 B2	5/2016	Arthur et al.
8,979,100 B2	3/2015	Bensman et al.	D759,971 S	6/2016	Riddiford et al.
8,979,101 B2	3/2015	Primiano	9,359,798 B2	6/2016	Greenwood et al.
8,979,144 B2	3/2015	Paugh et al.	9,376,050 B1	6/2016	Gill
8,985,326 B2	3/2015	Halsne et al.	9,387,963 B2	7/2016	McBroom et al.
8,985,385 B2	3/2015	Parker et al.	9,393,684 B2	7/2016	Christopher et al.
D725,907 S	4/2015	Yu	D762,471 S	8/2016	Green et al.
D727,620 S	4/2015	Tonelli	D762,977 S	8/2016	Xu
9,004,274 B2	4/2015	Thornberg	9,408,449 B1	8/2016	Tsai
9,004,548 B2	4/2015	Joret et al.	9,415,787 B2	8/2016	Mericle
D728,933 S	5/2015	Sanz et al.	9,427,058 B2	8/2016	Boglione
D730,050 S	5/2015	Hogan et al.	D765,397 S	9/2016	Reinhart
9,027,751 B2	5/2015	Lee	D765,406 S	9/2016	Faibish
D730,716 S	6/2015	Weinerman et al.	D765,407 S	9/2016	Reinhart
D731,250 S	6/2015	Butler et al.	D765,408 S	9/2016	Reinhart
D732,348 S	6/2015	Seiders et al.	D765,409 S	9/2016	Reinhart
D732,349 S	6/2015	Seiders et al.	D765,410 S	9/2016	Reinhart
			D765,411 S	9/2016	Reinhart
			D765,973 S	9/2016	Tonelli et al.
			D767,277 S	9/2016	Faibish
			9,435,578 B2	9/2016	Calderon et al.

(56)

## References Cited

## U.S. PATENT DOCUMENTS

9,443,366 B2	9/2016	Rayner	D818,712 S	5/2018	Fleming et al.
D768,464 S	10/2016	Hatton	9,968,170 B2	5/2018	Morszeck
9,468,277 B2	10/2016	King	D819,331 S	6/2018	Ballou et al.
D770,179 S	11/2016	Menirom	D820,049 S	6/2018	Ahlstrom et al.
D771,381 S	11/2016	Sosnovsky et al.	9,999,284 B1	6/2018	Tan
D772,577 S	11/2016	Muchin et al.	D821,824 S	7/2018	Rane et al.
D773,821 S	12/2016	Reinhart	D821,825 S	7/2018	Sullivan et al.
D773,901 S	12/2016	Marret	D823,065 S	7/2018	Eichinger et al.
9,511,491 B2	12/2016	Brunner	D824,168 S	7/2018	Morszeck
D776,429 S	1/2017	Zagorski et al.	D824,674 S	8/2018	Seiders et al.
D776,932 S	1/2017	Reinhart	D824,731 S	8/2018	Sullivan et al.
D776,934 S	1/2017	Braendle	10,058,151 B2	8/2018	Morszeck
D777,441 S	1/2017	Li	D827,304 S	9/2018	Tao
D777,530 S	1/2017	Marret	D828,028 S	9/2018	Seiders et al.
D778,054 S	2/2017	Li	D828,029 S	9/2018	Seiders et al.
D778,707 S	2/2017	Tonelli	D828,108 S	9/2018	Bowling
D779,201 S	2/2017	Beilman et al.	D828,112 S	9/2018	Furneaux et al.
9,566,704 B1	2/2017	Stoikos et al.	D829,244 S	9/2018	Sullivan et al.
9,567,784 B2	2/2017	Defrance et al.	10,080,412 B2	9/2018	Hartmann et al.
D780,523 S	3/2017	Jacobsen	D830,132 S	10/2018	Sullivan et al.
D780,524 S	3/2017	Jacobsen	D830,133 S	10/2018	Sullivan et al.
D780,525 S	3/2017	Jacobsen	D830,134 S	10/2018	Sullivan et al.
D784,017 S	4/2017	Hsieh	10,086,745 B2	10/2018	Gill
9,622,547 B2	4/2017	Seader	10,088,144 B1	10/2018	Sandberg
D785,937 S	5/2017	Morszeck	D832,653 S	11/2018	Waskow et al.
D786,561 S	5/2017	Seiders et al.	10,124,742 B2	11/2018	Martinez et al.
9,637,294 B2	5/2017	Kinsky	10,138,048 B2	11/2018	Mitchell et al.
9,655,418 B2	5/2017	Chien et al.	D834,819 S	12/2018	Burek et al.
D788,460 S	6/2017	Morszeck	D835,470 S	12/2018	Seiders et al.
D788,461 S	6/2017	Tonelli	D835,472 S	12/2018	Seiders et al.
D789,690 S	6/2017	Foley et al.	D835,473 S	12/2018	Jacobsen
9,669,986 B1	6/2017	Evans	D835,946 S	12/2018	Seiders et al.
D792,094 S	7/2017	Stoikos et al.	10,143,282 B2	12/2018	Seiders et al.
D792,105 S	7/2017	Reinhart	10,159,312 B2	12/2018	Ito
D793,089 S	8/2017	Jackson	10,160,471 B2	12/2018	Yahav et al.
D796,199 S	9/2017	Law	D836,993 S	1/2019	Meda et al.
D796,838 S	9/2017	Sijmons et al.	D836,996 S	1/2019	Jacobsen
D797,518 S	9/2017	Pavia, III	D836,997 S	1/2019	Jacobsen
9,770,084 B1	9/2017	Shiekh	D836,998 S	1/2019	Jacobsen
9,809,376 B2	11/2017	Mitchell et al.	D836,999 S	1/2019	Jacobsen
D804,819 S	12/2017	Faibish et al.	D837,001 S	1/2019	Jacobsen
D805,772 S	12/2017	Oshima	D837,515 S	1/2019	Shpitzer
D805,851 S	12/2017	Sullivan et al.	D837,611 S	1/2019	Lane et al.
9,839,272 B2	12/2017	Licciardino	D838,208 S	1/2019	Hirabayashi et al.
9,848,681 B1	12/2017	Chen	D838,983 S	1/2019	Seiders et al.
9,849,901 B2	12/2017	Jackman	D838,984 S	1/2019	Seiders et al.
D806,483 S	1/2018	Stanford et al.	D839,094 S	1/2019	Giraud et al.
D807,123 S	1/2018	Carey et al.	D839,682 S	2/2019	Jacobsen
D807,124 S	1/2018	Carey et al.	D840,150 S	2/2019	Seiders et al.
D808,164 S	1/2018	Summers	D840,194 S	2/2019	Furneaux et al.
D808,653 S	1/2018	Rayeski et al.	D842,048 S	3/2019	Wells
D808,655 S	1/2018	Seiders et al.	D843,114 S	3/2019	Sanz
D808,730 S	1/2018	Sullivan et al.	D844,325 S	4/2019	Nelson
9,876,522 B2	1/2018	Huang et al.	D844,386 S	4/2019	Ahlstrom et al.
9,878,841 B2	1/2018	Holderness et al.	10,272,934 B2	4/2019	DeFrancia
D809,293 S	2/2018	Virassamy et al.	D848,219 S	5/2019	Munie et al.
D809,295 S	2/2018	Ehret	D848,220 S	5/2019	Munie et al.
D810,432 S	2/2018	Ballou et al.	D848,221 S	5/2019	Munie et al.
D810,433 S	2/2018	Ballou et al.	D848,222 S	5/2019	Munie et al.
D810,434 S	2/2018	Xu	D848,223 S	5/2019	Munie et al.
D811,084 S	2/2018	Ballou et al.	D848,744 S	5/2019	Axelbaum
D811,090 S	2/2018	Karl	D848,798 S	5/2019	Munie et al.
9,883,724 B2	2/2018	Woode	D849,486 S	5/2019	Munie et al.
9,894,971 B2	2/2018	Sciicluna et al.	10,292,473 B2	5/2019	Meersschaert
9,901,153 B2	2/2018	Nash	D850,796 S	6/2019	Ricca
D811,742 S	3/2018	Ballou et al.	D851,401 S	6/2019	Zhang
D811,744 S	3/2018	Ballou et al.	10,314,377 B2	6/2019	Stephens
D812,909 S	3/2018	Morszeck	D853,729 S	7/2019	Axelbaum
9,913,518 B2	3/2018	Su	D854,826 S	7/2019	Tonelli
D814,187 S	4/2018	Caglar	10,334,935 B2	7/2019	Chung
D815,831 S	4/2018	Tonelli	10,350,746 B2	7/2019	Martinez et al.
D815,919 S	4/2018	DeFrancia	10,351,330 B2	7/2019	Smith et al.
D816,337 S	5/2018	Cheng	10,357,874 B2	7/2019	Engvall et al.
D816,492 S	5/2018	Reinhart	D857,386 S	8/2019	Shpitzer
D817,722 S	5/2018	Bradley	10,376,031 B1	8/2019	Majhess
			10,378,569 B2	8/2019	Jensen et al.
			D859,842 S	9/2019	Frank
			D860,789 S	9/2019	Rayeski et al.
			10,399,748 B2	9/2019	Reinhart

(56)

## References Cited

## U.S. PATENT DOCUMENTS

10,401,075 B2	9/2019	Bond		2006/0213941 A1	9/2006	Sweeney
D861,535 S	10/2019	Venables		2006/0225981 A1	10/2006	Lin
10,443,918 B2	10/2019	Li et al.		2006/0249412 A1	11/2006	Hernandez et al.
D869,160 S	12/2019	Seiders et al.		2006/0249522 A1	11/2006	Ringo
D869,244 S	12/2019	Ellison et al.		2006/0276768 A1	12/2006	Miller et al.
D869,848 S	12/2019	Wu		2007/0039957 A1	2/2007	Shulz et al.
D872,478 S	1/2020	Seiders et al.		2007/0101754 A1	5/2007	Maldonado
D872,485 S	1/2020	Seiders et al.		2007/0175898 A1	8/2007	Craft et al.
D873,020 S	1/2020	Seiders et al.		2007/0235452 A1	10/2007	Killinger et al.
D873,024 S	1/2020	Usui		2007/0261977 A1	11/2007	Sakai
10,568,395 B2	2/2020	Hayashi		2008/0001373 A1	1/2008	Vaughn
10,568,400 B2	2/2020	Shechter et al.		2008/0029528 A1	2/2008	Mireault
D876,833 S	3/2020	Brunner et al.		2008/0042460 A1	2/2008	Fuchs
D876,835 S	3/2020	Libman et al.		2008/0067095 A1	3/2008	Mueller
D878,054 S	3/2020	Reinhart et al.		2008/0067206 A1	3/2008	Kuhn
10,595,608 B2	3/2020	Korey et al.		2008/0078637 A1	4/2008	Su
D881,578 S	4/2020	Prommel et al.		2008/0078682 A1	4/2008	Clark et al.
D882,266 S	4/2020	Prommel et al.		2008/0110892 A1	5/2008	House
D882,267 S	4/2020	Prommel et al.		2008/0116215 A1	5/2008	Chuang
D887,788 S *	6/2020	Meda .....	D7/605	2008/0128428 A1	6/2008	Beckerman
D887,789 S	6/2020	Seiders et al.		2008/0156858 A1	7/2008	Perry et al.
D893,876 S	8/2020	Van Fossen		2008/0170388 A1	7/2008	Greil
D904,829 S *	12/2020	Nichols .....	D7/605	2008/0190940 A1	8/2008	Scott
D907,445 S *	1/2021	Nichols .....	D7/605	2008/0196650 A1	8/2008	Fernung
D912,983 S	3/2021	Newson		2008/0230339 A1	9/2008	Pereira
D915,069 S	4/2021	Tonelli		2008/0245095 A1	10/2008	Schlipman et al.
D920,668 S	6/2021	Bonnough et al.		2008/0257775 A1	10/2008	Randolph
D929,189 S *	8/2021	Pennington .....	D7/605	2008/0264946 A1	10/2008	Moschella et al.
D929,814 S *	9/2021	Nichols .....	D3/308	2009/0009039 A1	1/2009	Mayes, Jr.
D942,812 S *	2/2022	Luo .....	E05C 5/00	2009/0014974 A1	1/2009	VanVorst et al.
				2009/0033110 A1	2/2009	Fragale
				2009/0049859 A1	2/2009	Moon
D944,299 S *	2/2022	Astle .....	D15/79	2009/0078593 A1	3/2009	Patstone
D946,279 S *	3/2022	Seiders .....	E05C 5/00	2009/0080809 A1	3/2009	Pham et al.
				2009/0101460 A1	4/2009	Justham et al.
				2009/0114646 A1	5/2009	Whalen
				2009/0114653 A1	5/2009	Schenker
				2009/0120126 A1	5/2009	Mew
				2009/0158770 A1	6/2009	Cohrs et al.
D948,292 S *	4/2022	Deng .....	D7/605	2009/0173744 A1	7/2009	Hassell
2002/0024189 A1	2/2002	Chen		2009/0194541 A1	8/2009	Mayo
2002/0038745 A1	4/2002	Lamming		2009/0277905 A1	11/2009	Gillan
2002/0074332 A1	6/2002	Sagol		2010/0001013 A1	1/2010	Sommerfeld
2002/0162841 A1	11/2002	Shamir et al.		2010/0072215 A1	3/2010	Coon
2002/0185871 A1	12/2002	Straka		2010/0078451 A1	4/2010	Mount
2002/0195827 A1	12/2002	Jackson et al.		2010/0108556 A1	5/2010	Claffy
2003/0019705 A1	1/2003	Lau		2010/0133132 A1	6/2010	Allan
2003/0038007 A1	2/2003	Han		2010/0200784 A1	8/2010	Turner
2003/0038142 A1	2/2003	Gee		2010/0258576 A1	10/2010	Marquez
2003/0106821 A1	6/2003	Bar-Erez		2010/0275642 A1	11/2010	Klettner
2003/0111476 A1	6/2003	Serio		2011/0016911 A1	1/2011	Mosby
2003/0136702 A1	7/2003	Redzisz et al.		2011/0064332 A1	3/2011	Piazza et al.
2004/0007604 A1	1/2004	Plzak		2011/0114526 A1	5/2011	Neumann et al.
2004/0016854 A1	1/2004	Hart		2011/0119986 A1	5/2011	Sellers
2004/0025306 A1	2/2004	Coffey		2011/0121002 A1	5/2011	Stiller
2004/0040967 A1	3/2004	Eiskant et al.		2011/0127264 A1	6/2011	Whalen
2004/0163910 A1	8/2004	Lee		2011/0132046 A1	6/2011	Tonelli
2004/0178208 A1	9/2004	Leba et al.		2011/0181008 A1	7/2011	Bensman et al.
2004/0238543 A1	12/2004	Askew		2011/0182532 A1	7/2011	Baltus
2004/0246695 A1	12/2004	Schlack		2011/0186396 A1	8/2011	Sheikh
2004/0262319 A1	12/2004	Fisher		2011/0186398 A1	8/2011	Sheikh
2005/0023096 A1	2/2005	Tiramani		2011/0197625 A1	8/2011	Urban et al.
2005/0099019 A1	5/2005	Hall et al.		2011/0203328 A1	8/2011	Vilkomirski et al.
2005/0103813 A1	5/2005	Edwards		2011/0220531 A1	9/2011	Meether et al.
2005/0139741 A1	6/2005	Yuen		2011/0226003 A1	9/2011	Chaney et al.
2005/0150892 A1	7/2005	Miller		2011/0226785 A1	9/2011	Sakell
2005/0180835 A1	8/2005	Schneider		2012/0024896 A1	2/2012	Scobey et al.
2005/0199628 A1	9/2005	Van Handel et al.		2012/0103740 A1	5/2012	Moussatche et al.
2005/0217071 A1	10/2005	Shinner		2012/0104012 A1	5/2012	Cowie et al.
2005/0258610 A1	11/2005	Stone et al.		2012/0168444 A1	7/2012	Shitrit et al.
2005/0279123 A1	12/2005	Maldonado et al.		2012/0193353 A1	8/2012	Cronin et al.
2006/0011641 A1	1/2006	Sanderson		2012/0267208 A1	10/2012	D'Angelo
2006/0017293 A1	1/2006	Tonelli		2012/0273506 A1	11/2012	Adams et al.
2006/0037178 A1	2/2006	Sulhoff		2012/0286489 A1	11/2012	Bartholomew
2006/0037824 A1	2/2006	Park et al.		2012/0312708 A1	12/2012	Roehm et al.
2006/0042897 A1	3/2006	Sanderson		2013/0068579 A1	3/2013	Mathieu et al.
2006/0049640 A1	3/2006	Lee		2013/0140120 A1	6/2013	Rasmussen
2006/0180422 A1	8/2006	Lin		2013/0168196 A1	7/2013	Stanley
2006/0196218 A1	9/2006	Mogil et al.		2013/0175130 A1	7/2013	Liang
2006/0213736 A1	9/2006	Godshaw				



(56)

References Cited

U.S. PATENT DOCUMENTS

2013/0175276 A1 7/2013 Gleichauf et al.  
 2013/0248390 A1 9/2013 Roehm et al.  
 2013/0284619 A1 10/2013 Daley  
 2013/0292220 A1 11/2013 Kerley  
 2013/0292221 A1 11/2013 Ryan et al.  
 2013/0307214 A1 11/2013 Groller et al.  
 2014/0027454 A1 1/2014 Banik  
 2014/0062042 A1 3/2014 Wagner et al.  
 2014/0069832 A1 3/2014 Roehm  
 2014/0130310 A1 5/2014 Roth  
 2014/0137370 A1 5/2014 Lo et al.  
 2014/0138384 A1 5/2014 O'Brien  
 2014/0151388 A1 6/2014 Culeron et al.  
 2014/0158028 A1 6/2014 Adams  
 2014/0166516 A1 6/2014 Martinez et al.  
 2014/0197059 A1 7/2014 Evans et al.  
 2014/0251864 A1 9/2014 Voeller  
 2014/0252010 A1 9/2014 Miller  
 2014/0265197 A1 9/2014 Russell et al.  
 2014/0271095 A1 9/2014 Umans et al.  
 2014/0284158 A1 9/2014 Reid  
 2014/0284243 A1 9/2014 Tucker  
 2014/0311361 A1 10/2014 Wangler  
 2014/0311844 A1 10/2014 Meersschaert et al.  
 2014/0319147 A1 10/2014 Horovitz et al.  
 2015/0021132 A1 1/2015 Sijmons et al.  
 2015/0027835 A1 1/2015 Moon  
 2015/0034515 A1 2/2015 Monyak et al.  
 2015/0069962 A1 3/2015 Dietzel et al.  
 2015/0089903 A1 4/2015 Carey  
 2015/0090551 A1 4/2015 Sikka  
 2015/0114024 A1 4/2015 Grepper  
 2015/0129569 A1 5/2015 Miller  
 2015/0150347 A1 6/2015 Scicluna  
 2015/0175338 A1 6/2015 Culp et al.  
 2015/0189963 A1 7/2015 Lai et al.  
 2015/0190920 A1 7/2015 Karlsson et al.  
 2015/0208779 A1 7/2015 Tong  
 2015/0209226 A1 7/2015 Priebe et al.  
 2015/0233630 A1 8/2015 Bond  
 2015/0292840 A1 10/2015 Tobin  
 2015/0296945 A1 10/2015 Douglas  
 2015/0315532 A1 11/2015 Bergbohm et al.  
 2015/0352709 A1 12/2015 Diamond  
 2015/0352711 A1 12/2015 Brunner  
 2015/0375558 A1 12/2015 Ben-Or  
 2015/0375918 A1 12/2015 Holderness et al.  
 2016/0023837 A1 1/2016 Furneaux et al.  
 2016/0046417 A1 2/2016 Kromer  
 2016/0052682 A1 2/2016 Gunnerson et al.  
 2016/0083186 A1 3/2016 Wright  
 2016/0084454 A1 3/2016 Svitak, Sr. et al.  
 2016/0091239 A1 3/2016 Beland  
 2016/0135563 A1 5/2016 Truong  
 2016/0138809 A1 5/2016 Colucci et al.  
 2016/0150862 A1 6/2016 Tonelli  
 2016/0166024 A1 6/2016 Lai  
 2016/0183651 A1 6/2016 Tonelli  
 2016/0244209 A1 8/2016 Hain  
 2016/0251124 A1 9/2016 Arnold et al.  
 2016/0279840 A1 9/2016 French et al.  
 2017/0079398 A1 3/2017 Reh et al.  
 2017/0082342 A1 3/2017 Weinberg et al.  
 2017/0108260 A1 4/2017 Ansted et al.  
 2017/0127782 A1 5/2017 Korey et al.  
 2017/0165829 A1 6/2017 Damberg  
 2017/0173781 A1 6/2017 Damberg  
 2017/0215537 A1 8/2017 Yu  
 2017/0290400 A1 10/2017 Thomas  
 2017/0347765 A1 12/2017 Jackson et al.  
 2018/0035775 A1 2/2018 Haimoff  
 2018/0037394 A1 2/2018 Seiders et al.  
 2018/0078008 A1 3/2018 Sturm  
 2018/0087819 A1 3/2018 Triska et al.  
 2018/0141718 A1 5/2018 Ahlstrom et al.

2018/0194533 A1 7/2018 Bramwell  
 2018/0335241 A1 11/2018 Li et al.  
 2018/0339820 A1 11/2018 Reinhart et al.  
 2018/0354687 A1 12/2018 Seiders et al.  
 2019/0008254 A1 1/2019 Newson  
 2019/0092530 A1 3/2019 Seiders et al.  
 2019/0170422 A1 6/2019 Dexter  
 2019/0234671 A1 8/2019 Stanford et al.  
 2019/0256119 A1 8/2019 Brillhante et al.  
 2019/0271433 A1 9/2019 Tonelli  
 2020/0029664 A1\* 1/2020 Tonelli ..... E05F 3/02  
 2020/0037719 A1 2/2020 Jaworski et al.  
 2020/0039056 A1 2/2020 Damberg  
 2020/0060400 A1 2/2020 Glaser  
 2020/0061802 A1 2/2020 Samsel et al.  
 2020/0062454 A1 2/2020 Duong et al.  
 2020/0086905 A1 3/2020 Yao et al.  
 2020/0217576 A1 7/2020 Guan et al.  
 2021/0102409 A1\* 4/2021 Seiders ..... B65D 25/2873  
 2022/0114853 A1\* 4/2022 Emde ..... G07C 9/23

FOREIGN PATENT DOCUMENTS

BR 202015031355 U2 6/2017  
 CA 60997 A 8/1898  
 CA 72336 A 7/1901  
 CA 72337 A 7/1901  
 CA 72338 A 7/1901  
 CA 73327 A 10/1901  
 CA 77273 A 9/1902  
 CA 81456 A 6/1903  
 CA 152411 A 12/1913  
 CA 175930 A 3/1917  
 CA 175939 A 3/1917  
 CA 2624994 A1 5/2000  
 CA 89737 A 6/2000  
 CA 2483772 A1 4/2005  
 CA 2633223 A1 12/2009  
 CA 2635328 A1 12/2009  
 CA 2782668 A1 12/2013  
 CH 365631 A 11/1962  
 CN 2073459 U 3/1991  
 CN 2132145 Y 5/1993  
 CN 1112819 A 12/1995  
 CN 2515999 Y 10/2002  
 CN 2549792 Y 5/2003  
 CN 1457237 A 11/2003  
 CN 2664452 Y 12/2004  
 CN 3498732 1/2006  
 CN 3498735 1/2006  
 CN 2813823 Y 9/2006  
 CN 300690540 9/2007  
 CN 300690541 9/2007  
 CN 201076126 Y 6/2008  
 CN 300854008 12/2008  
 CN 300856959 12/2008  
 CN 300918117 5/2009  
 CN 301150817 3/2010  
 CN 301189065 5/2010  
 CN 201691232 U 1/2011  
 CN 301548656 5/2011  
 CN 301620134 7/2011  
 CN 201919912 U 8/2011  
 CN 201938601 U 8/2011  
 CN 301711528 11/2011  
 CN 301808188 1/2012  
 CN 301950501 6/2012  
 CN 102626271 A 8/2012  
 CN 302115731 10/2012  
 CN 102805467 A 12/2012  
 CN 202722894 U 2/2013  
 CN 102948946 A 3/2013  
 CN 202760445 U 3/2013  
 CN 302365993 3/2013  
 CN 202874104 U 4/2013  
 CN 302425923 5/2013  
 CN 302448361 6/2013  
 CN 203182247 U 9/2013  
 CN 203283617 U 11/2013

(56)

## References Cited

## FOREIGN PATENT DOCUMENTS

CN	302631183	11/2013	CN	304569074	4/2018
CN	203439475 U	2/2014	CN	108078109 A	5/2018
CN	302811286	5/2014	CN	304645055	5/2018
CN	302868078	7/2014	CN	207428627 U	6/2018
CN	203789329 U	8/2014	CN	304653754	6/2018
CN	203814784 U	9/2014	CN	304660325	6/2018
CN	204032607 U	12/2014	CN	304660327	6/2018
CN	104433073 A	3/2015	CN	304660329	6/2018
CN	204245396 U	4/2015	CN	304660332	6/2018
CN	303154464	4/2015	CN	304692146	6/2018
CN	303186110	4/2015	CN	304701684	6/2018
CN	303221245	5/2015	CN	304749390	7/2018
CN	204409860 U	6/2015	CN	304764980	8/2018
CN	303228513	6/2015	CN	108497660 A	9/2018
CN	303228514	6/2015	CN	304823685	9/2018
CN	303242426	6/2015	CN	304823694	9/2018
CN	303251869	6/2015	CN	108608804 A	10/2018
CN	303324038	8/2015	CN	207949211 U	10/2018
CN	303333672	8/2015	CN	304836888	10/2018
CN	201530103483	8/2015	CN	304854893	10/2018
CN	303381343	9/2015	CN	304862165	10/2018
CN	303390870	9/2015	CN	304862166	10/2018
CN	303499903	12/2015	CN	108741519 A	11/2018
CN	303546215	1/2016	CN	108783799 A	11/2018
CN	201530438676	2/2016	CN	108835813 A	11/2018
CN	201530438792	2/2016	CN	108835814 A	11/2018
CN	105473462 A	4/2016	CN	304877452	11/2018
CN	303630971	4/2016	CN	304900938	11/2018
CN	303680031	5/2016	CN	108945792 A	12/2018
CN	303680054	5/2016	CN	109043770 A	12/2018
CN	303687108	6/2016	CN	208192442 U	12/2018
CN	205521292 U	8/2016	CN	208192487 U	12/2018
CN	303783877	8/2016	CN	304970790	1/2019
CN	303799176	8/2016	CN	304995265	1/2019
CN	201630123602	8/2016	CN	305641119	1/2019
CN	303904119	11/2016	CN	109303399 A	2/2019
CN	303918135	11/2016	CN	305019548	2/2019
CN	205831341 U	12/2016	CN	109431028 A	3/2019
CN	303982382	12/2016	CN	109497673 A	3/2019
CN	303982387	12/2016	CN	208581902 U	3/2019
CN	304000494	1/2017	CN	305050777	3/2019
CN	304036742	2/2017	CN	305078423	3/2019
CN	304036750	2/2017	CN	305078424	3/2019
CN	304050612	2/2017	CN	305111950	4/2019
CN	304068469	3/2017	CN	305181543	5/2019
CN	304076890	3/2017	CN	305181544	5/2019
CN	106551485 A	4/2017	CN	305184266	5/2019
CN	304172638	6/2017	CN	305184268	5/2019
CN	107125891 A	9/2017	CN	305191726	6/2019
CN	107173938 A	9/2017	CN	305219344	6/2019
CN	107307551 A	11/2017	CN	305242412	7/2019
CN	107467837 A	12/2017	CN	305242413	7/2019
CN	206702967 U	12/2017	CN	305283238	8/2019
CN	304411331	12/2017	CN	209403814 U	9/2019
CN	304411334	12/2017	CN	305347993	9/2019
CN	304411336	12/2017	CN	305359134	9/2019
CN	304411337	12/2017	CN	305359135	9/2019
CN	304411389	12/2017	CN	209528183 U	10/2019
CN	304417314	12/2017	CN	305398498	10/2019
CN	304423206	12/2017	CN	209563672 U	11/2019
CN	304423258	12/2017	CN	209628893 U	11/2019
CN	304423259	12/2017	CN	305424085	11/2019
CN	304423260	12/2017	CN	305424089	11/2019
CN	304423317	12/2017	CN	305437133	11/2019
CN	206880270 U	1/2018	CN	305437134	11/2019
CN	304461798	1/2018	CN	305437137	11/2019
CN	107668874 A	2/2018	CN	110605939 A	12/2019
CN	304532315	3/2018	CN	209719155 U	12/2019
CN	304532317	3/2018	CN	209719159 U	12/2019
CN	304532318	3/2018	CN	209732871 U	12/2019
CN	304532319	3/2018	CN	209788810 U	12/2019
CN	304539046	3/2018	CN	305476163	12/2019
CN	304555895	3/2018	CN	305488622	12/2019
CN	304562598	4/2018	CN	305499080	12/2019
CN	304569073	4/2018	CN	305518862	12/2019
			CN	209931762 U	1/2020
			CN	209965461 U	1/2020
			CN	305527333	1/2020
			CN	305533439	1/2020

(56)

**References Cited**

FOREIGN PATENT DOCUMENTS			EM	001682428-0003	4/2010
CN	305533533	1/2020	EM	001682428-0004	4/2010
CN	305533534	1/2020	EM	001682428-0005	4/2010
CN	305533538	1/2020	EM	001682428-0006	4/2010
CN	305533539	1/2020	EM	001781865-0001	12/2010
CN	305540311	1/2020	EM	001781865-0006	12/2010
CN	305547763	1/2020	EM	001781865-0007	12/2010
CN	305547764	1/2020	EM	001781865-0008	12/2010
CN	305547961	1/2020	EM	001781899-0006	2/2011
CN	305556652	1/2020	EM	001781899-0009	2/2011
CN	305563596	1/2020	EM	002215897-0001	8/2013
CN	305571758	1/2020	EM	002277574-0001	8/2013
CN	305571764	1/2020	EM	002277574-0002	8/2013
CN	305577923	1/2020	EM	002325209-0001	11/2013
CN	305577960	1/2020	EM	002325209-0002	11/2013
CN	305578103	1/2020	EM	002569467-0001	11/2014
CN	210076793 U	2/2020	EM	002569467-0002	11/2014
CN	210114130 U	2/2020	EM	002569467-0003	11/2014
CN	305584094	2/2020	EM	002569467-0004	11/2014
CN	305584095	2/2020	EM	002576728-0013	11/2014
CN	305584098	2/2020	EM	002646935-0001	3/2015
CN	305605578	2/2020	EM	002978569-0001	2/2016
CN	305614805	2/2020	EM	003261668-0002	7/2016
CN	305621592	2/2020	EM	003743905-0006	2/2017
CN	305621593	2/2020	EM	004100048-0001	9/2017
CN	305629332	2/2020	EM	004100048-0002	9/2017
CN	305635594	3/2020	EM	004385409-0001	10/2017
CN	305636583	3/2020	EM	004168789-0001	11/2017
CN	305639489	3/2020	EM	004662039-0002	3/2018
CN	305642338	3/2020	EM	004662039-0003	3/2018
CN	305642339	3/2020	EM	005609583-0001	8/2018
CN	305642418	3/2020	EM	005625977-0006	9/2018
DE	74708 C	4/1894	EM	005500311-0002	10/2018
DE	2020368 A1	11/1971	EM	005500311-0003	10/2018
DE	7502524 U	9/1975	EM	005804747-0001	10/2018
DE	2939826 A1	4/1980	EM	005804762-0001	10/2018
DE	3344410 A1	6/1985	EM	005804770-0001	10/2018
DE	8620597 U1	9/1986	EM	005805140-0001	10/2018
DE	9012845 U1	10/1990	EM	005805199-0001	10/2018
DE	4042245 A1	7/1991	EM	006453072-0001	5/2019
DE	9105033 U1	3/1992	EM	006618583-0001	10/2019
DE	9408707 U1	9/1995	EM	006618583-0002	10/2019
DE	29516306 U1	2/1997	EM	006618583-0003	10/2019
DE	29815666 U1	11/1998	EM	006618583-0004	10/2019
DE	19755532 A1	6/1999	EM	007064233-0002	11/2019
DE	20312950 U1	10/2003	EM	007145461-0012	11/2019
DE	20313077 U1	1/2004	EM	007449095-0001	1/2020
DE	202004007996 U1	7/2004	EM	007576806-0001	2/2020
DE	202004012191 U1	12/2004	EM	007719141-0001	3/2020
DE	202004015475 U1	1/2005	EP	0069419 A1	1/1983
DE	202004016959 U1	2/2005	EP	0530067 A1	3/1993
DE	202005006105 U1	6/2005	EP	0587451 A1	3/1994
DE	202005014773 U1	11/2005	EP	0221215 B1	6/1995
DE	202006001888 U1	4/2006	EP	0670791 A1	9/1995
DE	402010002800-0008	6/2010	EP	1000865 A1	5/2000
DE	402010002800-0001	7/2010	EP	1059239 A1	12/2000
DE	402010002800-0002	7/2010	EP	1080656 A1	3/2001
DE	402010002800-0003	7/2010	EP	1442845 A1	8/2004
DE	402010002800-0004	7/2010	EP	1475008 A1	11/2004
DE	402010002800-0007	7/2010	EP	1880948 A2	1/2008
DE	402010002800-0009	7/2010	EP	1921009 A1	5/2008
DE	402010002800-0010	7/2010	EP	2024218 A2	2/2009
DE	402010002800-0011	7/2010	EP	2107982 A1	10/2009
DE	402010002800-0012	7/2010	EP	2236428 A1	10/2010
DE	202012006671 U1	8/2012	EP	2330939 A1	6/2011
DE	102012025617 A1	10/2013	EP	2344000 A1	7/2011
DE	102013004590 A1	9/2014	EP	2387906 A1	11/2011
DE	102013114520 A1	6/2015	EP	2412493 A2	2/2012
DE	202016004315 U1	8/2016	EP	2441340 A1	4/2012
DE	202015106823 U1	3/2017	EP	2522248 A1	11/2012
DE	102017122609 A1	3/2019	EP	2543481 A1	1/2013
EM	000134804-0001	6/2004	EP	2745727 A2	6/2014
EM	001606468-0001	9/2009	EP	2826394 A1	1/2015
EM	001606468-0002	9/2009	EP	2829484 A1	1/2015
EM	001682428-0001	4/2010	EP	2829485 A1	1/2015
EM	001682428-0002	4/2010	EP	2904926 A1	8/2015
			EP	3013176 A1	5/2016
			EP	3027078 A1	6/2016
			EP	3073852 A1	10/2016

(56)

## References Cited

## FOREIGN PATENT DOCUMENTS

EP	3216363	A1	9/2017
EP	3351130	A1	7/2018
EP	3403521	A1	11/2018
EP	3581059	A1	12/2019
FR	1198768	A	12/1959
FR	2179844	A1	11/1973
FR	2223248	A1	10/1974
FR	2638950	A1	5/1990
FR	2689100	A1	10/1993
FR	2711044	A1	4/1995
FR	2712257	A1	5/1995
FR	2809690	A1	12/2001
FR	2870692	A1	12/2005
FR	2912997	A1	8/2008
GB	854540	A	11/1960
GB	1041392	A	9/1966
GB	2023550	A	1/1980
GB	2023551	A	1/1980
GB	2032814	A	5/1980
GB	2047073	A	11/1980
GB	2023549	A	9/1992
GB	2278874	A	12/1994
GB	2291042	A	1/1996
GB	2045135	A	2/1996
GB	2308803	A	7/1997
GB	2289713	B	12/1997
GB	2421713	A	7/2006
GB	2438189	A	11/2007
GB	2459111	A	10/2009
GB	4036176		7/2014
GB	4037039		10/2014
GB	90066075520006		7/2019
GB	2575671	A	1/2020
ID	D0000002662-0001		1/2003
IL	55179	A	7/1981
IN	266778		5/2015
IN	266779-0001		5/2015
IN	276720		2/2016
JP	S57-150175	U	9/1982
JP	S60-164570	A	8/1985
JP	H03-066374	U	6/1991
JP	H0574275	A	3/1993
JP	H07-102842	A	4/1995
JP	H08-093298	A	4/1996
JP	2569734	B2	1/1997
JP	2976179	B2	11/1999
JP	2001-107621	A	4/2001
JP	3177720	B2	6/2001
JP	3197227	B2	8/2001
JP	2001-262907	A	9/2001
JP	3211023	B2	9/2001
JP	D1121506		9/2001
JP	3225244	B2	11/2001
JP	D2001-10753		6/2002
JP	D1193948		1/2004
JP	2004136941	A	5/2004
JP	2006122067	A	5/2006
JP	D1312168		10/2007
JP	D2007-16058		5/2008
JP	D2007-16059		5/2008
JP	D1338388		8/2008
JP	D1382214		3/2010
JP	D1382215		3/2010
JP	D1397219		9/2010
JP	D1397346		9/2010
JP	D1408819		3/2011
JP	D1408988		3/2011
JP	2014184051	A	10/2014
JP	6206200	B2	10/2017
JP	6226662	B2	11/2017
JP	2019119506	A	7/2019
KR	100395931	B1	8/2003
KR	3020030024985		9/2003
KR	200362331	Y1	9/2004
KR	20070101643	A	10/2007
KR	20070103598	A	10/2007
KR	3020070008850		12/2007
KR	300492699.0000		5/2008
KR	20090074289	A	7/2009
KR	100921297	B1	10/2009
KR	101267451	B1	5/2013
KR	300740505.0000		4/2014
KR	300887228.0000		12/2016
KR	300908948.0000		6/2017
KR	300908949.0000		6/2017
KR	300915252.0000		7/2017
KR	20180037090	A	4/2018
KR	300968949.0000		8/2018
KR	300982867.0000		11/2018
KR	300983257.0000		12/2018
KR	300990253.0000		1/2019
KR	3009902440000		1/2019
KR	300996066.0000		3/2019
KR	102054504	B1	12/2019
KR	301037245.0000		12/2019
KR	301037251.0000		12/2019
KR	301050842.0000		3/2020
KR	301541440002		4/2020
NL	7504291	A	10/1975
NL	8903105	A	7/1991
NL	1032860	C1	11/2006
RU	00100422	U1	12/2010
TR	201708307-0001		2/2018
TW	M310869	U	5/2007
WO	9400034	A1	1/1994
WO	D032061-005		4/1995
WO	D035637-003		2/1996
WO	D036648-008		6/1996
WO	9631140	A1	10/1996
WO	9748613	A1	12/1997
WO	0041937	A1	7/2000
WO	0168477	A1	9/2001
WO	02064445	A1	8/2002
WO	03041529	A1	5/2003
WO	2004076291	A2	9/2004
WO	2006019314	A1	2/2006
WO	2006037302	A1	4/2006
WO	2008001029	A1	1/2008
WO	2008034603	A1	3/2008
WO	2009028960	A1	3/2009
WO	2011135559	A1	11/2011
WO	2012000497	A1	1/2012
WO	2012029119	A1	3/2012
WO	D078390-004		11/2012
WO	2013014670	A1	1/2013
WO	D080557-001		4/2013
WO	2013126851	A1	8/2013
WO	2014131214	A1	9/2014
WO	2014193073	A1	12/2014
WO	2015040526		3/2015
WO	2015087357	A1	6/2015
WO	2016072912	A1	5/2016
WO	2016091570	A1	6/2016
WO	2017034992	A1	3/2017
WO	2017088278	A1	6/2017
WO	2017091899	A1	6/2017
WO	2017191628	A1	11/2017
WO	2017192694	A1	11/2017
WO	2018012675	A1	1/2018
WO	2018169478	A1	9/2018
WO	2019238228	A1	12/2019
WO	2020030766	A1	2/2020

## OTHER PUBLICATIONS

Pelican Elite 50 Quart Cooler, available Nov. 9, 2016, [online], [site visited Mar. 31, 2018]. Available from internet, <URL: [https://www.amazon.com/Pelican-Elite-Quart-Cooler-White/product-reviews/B01G7KG5PA/ref=cm\\_cr\\_getr\\_d\\_paging\\_btm\\_5?ie=UTF8&reviewerType=all\\_reviews&sortBy=recent&pageNumber=5](https://www.amazon.com/Pelican-Elite-Quart-Cooler-White/product-reviews/B01G7KG5PA/ref=cm_cr_getr_d_paging_btm_5?ie=UTF8&reviewerType=all_reviews&sortBy=recent&pageNumber=5) (Year:2016).

Pelican Storm Waterproof Case, available Jul. 27, 2009, [online], [site visited Mar. 31, 2018]. Available from internet, <URL: <https://>

(56)

## References Cited

## OTHER PUBLICATIONS

www.amazon.com/dp/B002JB07D8?axitk=EqSpVoa9QpKAGqst7rmxMA&pd\_rd\_i=B002JB07D8&pf\_rd\_m=ATVPDKIKX0DER&pf (Year: 2009).

Outdoor Products Small Watertight Dry Box, Blue, available May 31, 2016, [online], [site visited Mar. 31, 2018]. Available from internet, <URL: <https://www.walmart.com/ip/Outdoor-Products-Small-Watertight-Dry-Box-Blue/26674162> (Year: 2016). Sep. 20, 2018—(WO) International Search Report and Written Opinion—App. PCT/US2018/037100.

yeti.com, Images of Loadout Bucket Web Page visited on Mar. 17, 2020, at [https://www.yeti.com/en\\_US/buckets/loadout-5-gallon-bucket/YLOB5.html?dwvar\\_YLOB5\\_color=white&cgid=buckets#start=1](https://www.yeti.com/en_US/buckets/loadout-5-gallon-bucket/YLOB5.html?dwvar_YLOB5_color=white&cgid=buckets#start=1) <[https://www.yeti.com/en\\_US/buckets/loadout-5-gallon-bucket/YLOB5.html?dwvar\\_YLOB5\\_color=white&cgid=buckets](https://www.yeti.com/en_US/buckets/loadout-5-gallon-bucket/YLOB5.html?dwvar_YLOB5_color=white&cgid=buckets)>.

amazon.com, “Top Shelf Custom Injection Molded ABS Saddlebag Organizer Tray, 2014—Current H-D ABS Hard Bags, LFT by Advanced Accessory Concepts LLC,” visited Oct. 16, 2019 and revisited Jan. 6, 2020 at [https://www.amazon.com/Custom-Injection-Molded-Saddlebag-Organizer/dp/B01MQWBM40/ref=sr\\_1\\_38?keywords=luggage+hard+removable+liner&qid=1571270714&sr=8-38](https://www.amazon.com/Custom-Injection-Molded-Saddlebag-Organizer/dp/B01MQWBM40/ref=sr_1_38?keywords=luggage+hard+removable+liner&qid=1571270714&sr=8-38).

amazon.com, “TCMT Matt Black Chopped Tour Pack Trunk w/Backrest Fits For Harley Street Road Glide 2014-2020 (Style B) by TCMT,” visited Oct. 16, 2019 and revisited Jan. 6, 2020 at <https://www.amazon.com>.

amazon.com, “HardBagger Top Shelf Hard Saddlebag Organizer—Right or Left TS100HD by HardBagger,” visited Oct. 16, 2019 and revisited Jan. 6, 2020 at <https://www.amazon.com/HardBagger-Shelf-Hard-Saddlebag-Organizer>.

amazon.com, “Pelican Air 1615 Travel Case—Suitcase Luggage (Blue) by Pelican,” visited Oct. 16, 2019 and revisited Jan. 6, 2020 at [https://www.amazon.com/Pelican-Air-1615-Travel-Case/dp/B07XGHDK66?ref=ast\\_sto\\_dp](https://www.amazon.com/Pelican-Air-1615-Travel-Case/dp/B07XGHDK66?ref=ast_sto_dp).

amazon.com, “Pelican 015100-0050-110 Protector Carry-On Case Black w/TrekPak Insert: Camera & Photo,” visited Oct. 16, 2019 and revisited Jan. 6, 2020 at [https://www.amazon.com/Pelican-1510TP-Carry-TrekPak-Divider/dp/B01E4E1BFK/ref=sr\\_1\\_48?crd=3CJLVWN9DJ62R&keywords=carry+on+organizer+insert&qid=1571270299&prefix=carry+on+organizer%2Caps%2C143&sr=8-48](https://www.amazon.com/Pelican-1510TP-Carry-TrekPak-Divider/dp/B01E4E1BFK/ref=sr_1_48?crd=3CJLVWN9DJ62R&keywords=carry+on+organizer+insert&qid=1571270299&prefix=carry+on+organizer%2Caps%2C143&sr=8-48).

amazon.com, “Samsonite F’Lite GT 31” Hardside Wheeled Luggage (Vivid Blue),” visited Dec. 16, 2019 and revisited Jan. 7, 2020 at <<https://www.amazon.com/Samsonite-Flite-Spinner-Black-Size/dp/B01LTG2XVC?th=1>> Samsonite F’Lite GT 31” Hardside Wheeled Luggage (Vivid Blue).

alibaba.com, “Removable Spinner Wheels for Suitcase Replacement Suitcase Luggage,” visited Dec. 16, 2019 and revisited Jan. 7, 2020 at [https://www.alibaba.com/product-detail/Removable-Spinner-Wheels-For-Suitcase-Replacement\\_605641600](https://www.alibaba.com/product-detail/Removable-Spinner-Wheels-For-Suitcase-Replacement_605641600).

amazon.com, “Lockable Tackle Box Fishing Waterproof Fly Fishing Box Double Sided Ice Fishing Tackle Case Box Storage Waterproof: 360 Degree Rubber Gasket, Durable Plastic Construction Double Sided Triangle-Cut For,” visited Dec. 16, 2019 and revisited Jan. 7, 2020 at <<https://www.amazon.com/Lockable-Tackle-Fishing-Waterproof-Storage/dp/B07MFF6S6N>>.

yankodesign.com, “Vacuum Packed Suitcase,” visited Dec. 16, 2019 and revisited Jan. 7, 2020 at <<https://www.yankodesign.com/2011/11/28/vacuum-packed-suitcase/>>.

alibaba.com, “Portable Luggage Wheels for Luggage Trolley Bags & Suitcase,” visited Dec. 16, 2019 and revisited Jan. 7, 2020 at [https://www.alibaba.com/product-detail/Portable-Luggage-Wheels-for-luggage-Trolley\\_1854722793.html](https://www.alibaba.com/product-detail/Portable-Luggage-Wheels-for-luggage-Trolley_1854722793.html).

northerntool.com, “Dewalt 28in. Wheeled Toolbox, Model# DWST28100,” visited on Apr. 6, 2020 at [https://www.northerntool.com/shop/tools/product\\_200726534\\_200726534](https://www.northerntool.com/shop/tools/product_200726534_200726534).

walmart.com, “Sterilite 151L Black Wheeled Industrial Tote,” visited on Apr. 6, 2020 at <https://www.walmart.ca/en/ip/sterilite-151l-black-wheeled-industrial-tote/6000195957310>.

globalindustrial.com, “Contico UK3725-4 Rolling Pro Tuff Work Box,” visited on Apr. 6, 2020 at <https://www.globalindustrial.com/p/tools/tool-storage/Jo-Site/rolling-pro-tuff-work-box?infoParam.campaignId=T9F>.

amazon.com, “Grey: Akro-Mils 33105 Akro-Grid Slotted Divider Plastic Tote Box,” visited on Apr. 6, 2020 at <https://www.amazon.in/Grey-Akro-Mils-Akro-Grid-Slotted-Divider/dp/B004C044VU>.

globalindustrial.com, “Global Industrial™ Plastic Dividable Grid Container,” visited on Apr. 6, 2020 at <https://www.globalindustrial.com/p/storage/bins-totes-containers/dividable-grid/grid-wall-bin-stackable-1>.

globalindustrial.com, “Straight Wall Container Solid,” visited on Apr. 6, 2020 at <https://www.globalindustrial.com/p/storage/bins-totes-containers/stacking-containers/straight-wall-container-12x7-2-5x5>.

Lowe’s, “Craftsman 37-in Black Plastic Wheels Lockable Tool Box,” <https://www.lowes.com/pd/CRAFTSMAN-37-in-Black-Plastic-Wheeled-Lockable-Tool-Box/1000578337>.

Home Depot, “Husky 37 in. Rolling Tool Box Utility Cart Black,” <<https://www.homedepot.com/p/Husky-37-in-Rolling-Tool-Box-Utility-Cart-Black-209261/203668066>>.

B&H, “Nanuk 960 Protective Rolling Case with Dividers and Organizer (Black),” [https://www.bhphotovideo.com/c/product/1504703-REG/nanuk\\_960\\_6001\\_960\\_waterproof\\_hard\\_case.html](https://www.bhphotovideo.com/c/product/1504703-REG/nanuk_960_6001_960_waterproof_hard_case.html).

Toolguyd, “Milwaukee Packout Tool Boxes and Storage System, in Photos,” <https://toolguyd.com/milwaukee-packout-tool-boxes-photo-introduction/>.

May 12, 2020—(WO) Partial International Search—PCT/US2020/012404.

Jul. 6, 2020—(WO) International Search Report & Written Opinion—PCT/US2020/012404.

Aug. 13, 2020—(WO) Partial International Search—PCT/US2020/026655.

Oct. 7, 2020—(WO) ISR & WO—PCT/US2020/026655.

Dec. 2020, 2020—(CN) First Office Action—App. No. 201880036572. 1.

Apr. 7, 2021—(CN) First Office Action—App. No. 202030815015. X.

Oct. 18, 2021—(WO) International Search Report & Written Opinion—PCT/US21/023632.

www.amazon.com; website visited Oct. 6, 2021; Pelican 1510 Case with Foam; Date First Available Oct. 2, 2001; [https://www.amazon.com/Pelican-1510-Case-Foam-Black/dp/B0002SKHIK/ref=sr\\_1\\_123?dchild=1&keywords=wheeled+tool+box+for+flying&qid=16%E2%80%A6](https://www.amazon.com/Pelican-1510-Case-Foam-Black/dp/B0002SKHIK/ref=sr_1_123?dchild=1&keywords=wheeled+tool+box+for+flying&qid=16%E2%80%A6) (Year: 2001).

Halliburton Pursuit Aluminum Continental Carry-on Case, Site visited on Oct. 6, 2021; website captured on May 20, 2020 via wayback: <https://web.archive.org/web/20200520103816/https://zerohalliburton.com/collections/luggage> (Year: 2020).

Jan. 28, 2022—(JP) Office Action—App. No. 2019566933.

Newatlas.com, site visited Oct. 18, 2022, “The Survivor—Griffin’s military grade iPhone 4 Case” published by Ben Coxworth on Feb. 23, 2011 features the Griffin Technology Survivor Extreme Duty Case, <https://newatlas.com/survivor-military-grade-iphone-case/17956/> (Year: 2011).

Amazon.com, site visited Oct. 18, 2022, Ballistic Store Hard Core Case, first available Nov. 19, 2011, <https://www.amazon.com/Ballistic-Built-Screen-Protection-Holster/dp/B0069WKPRQ?th=1> (Year: 2011).

Bhphotovideo.com, Site visited Sep. 28, 2022, Pelican BA22 Elite Carry-On Luggage, Oldest review dated Sep. 23, 2017, [https://www.bhphotovideo.com/c/product/1073813-REG/pelican\\_lg\\_ba22\\_gryblk\\_22\\_elite\\_carry\\_on\\_luggage.html/reviews](https://www.bhphotovideo.com/c/product/1073813-REG/pelican_lg_ba22_gryblk_22_elite_carry_on_luggage.html/reviews) (Year: 2017).

\* cited by examiner

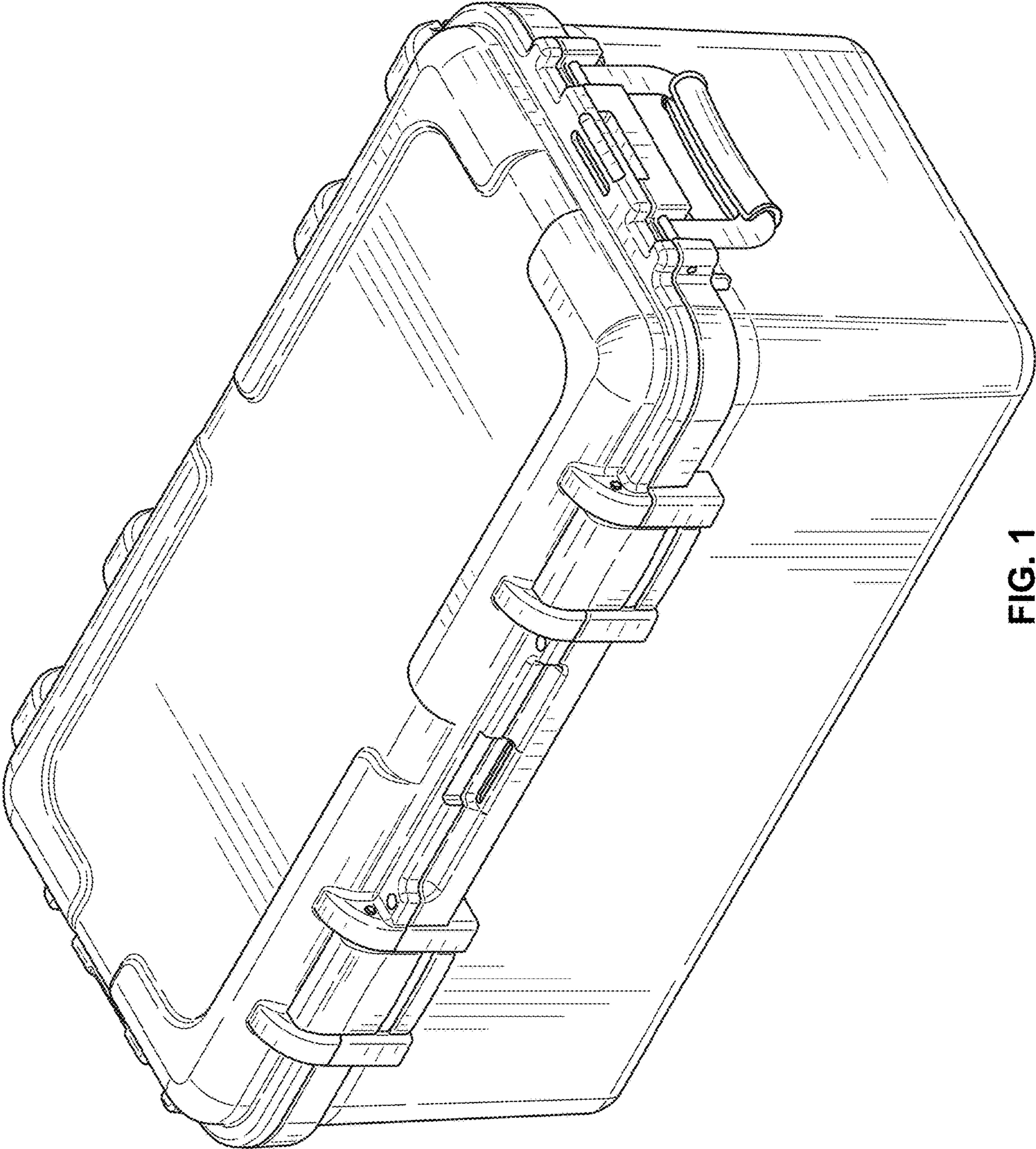


FIG. 1

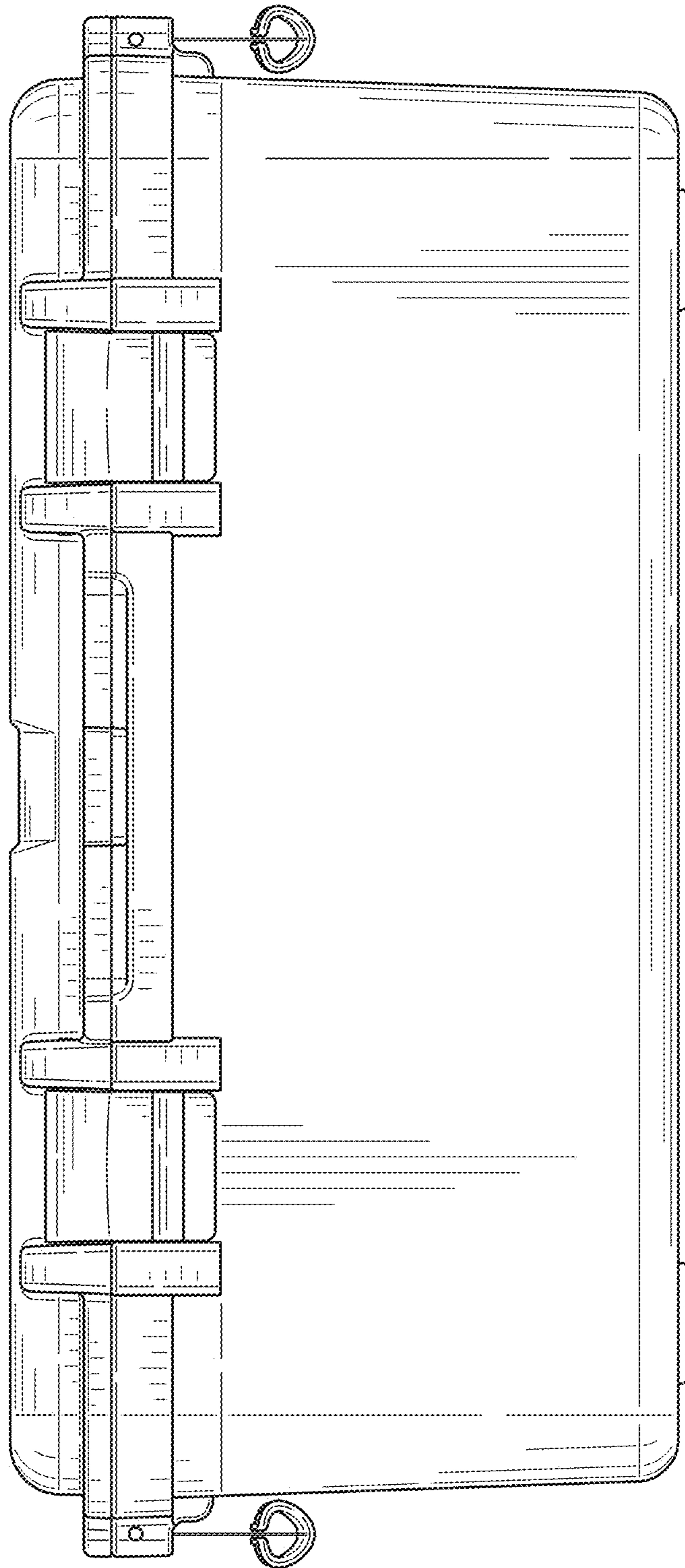


FIG. 2

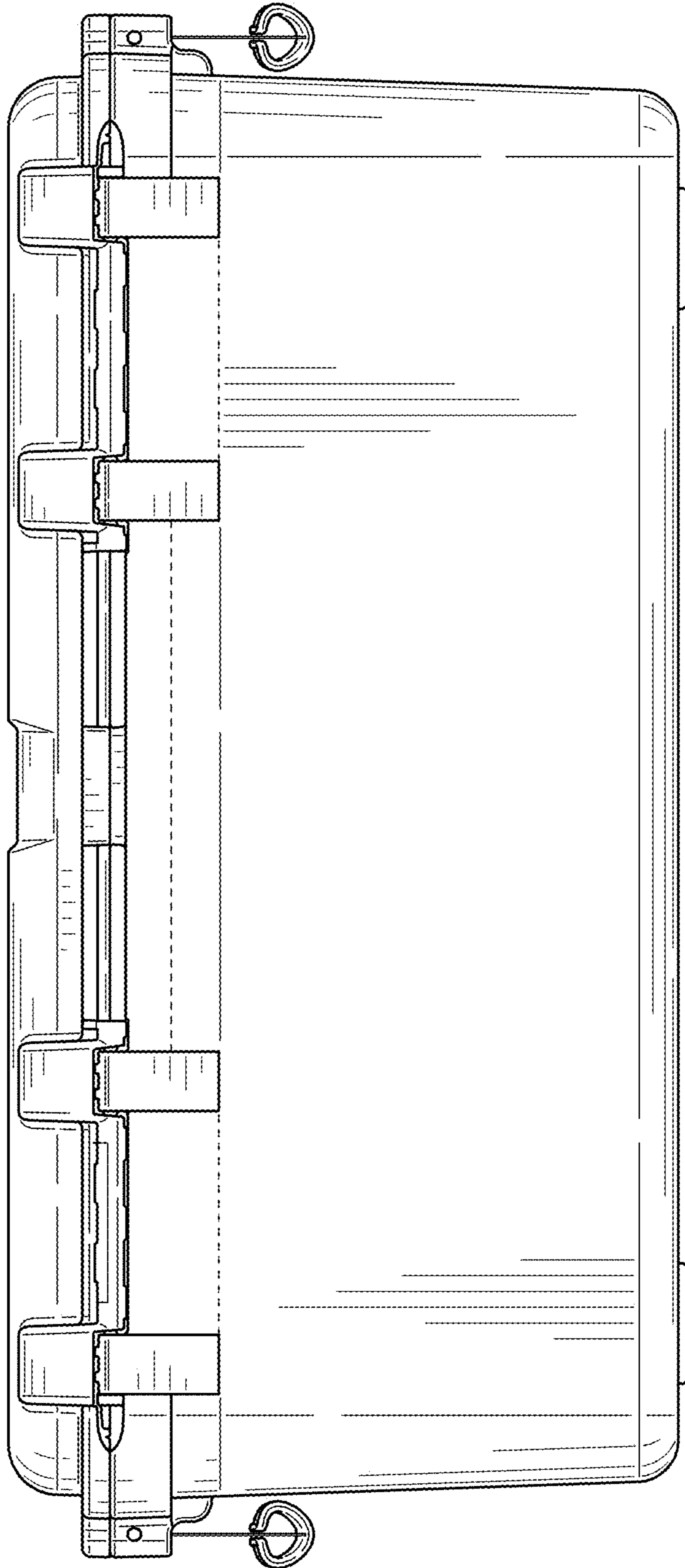


FIG. 3



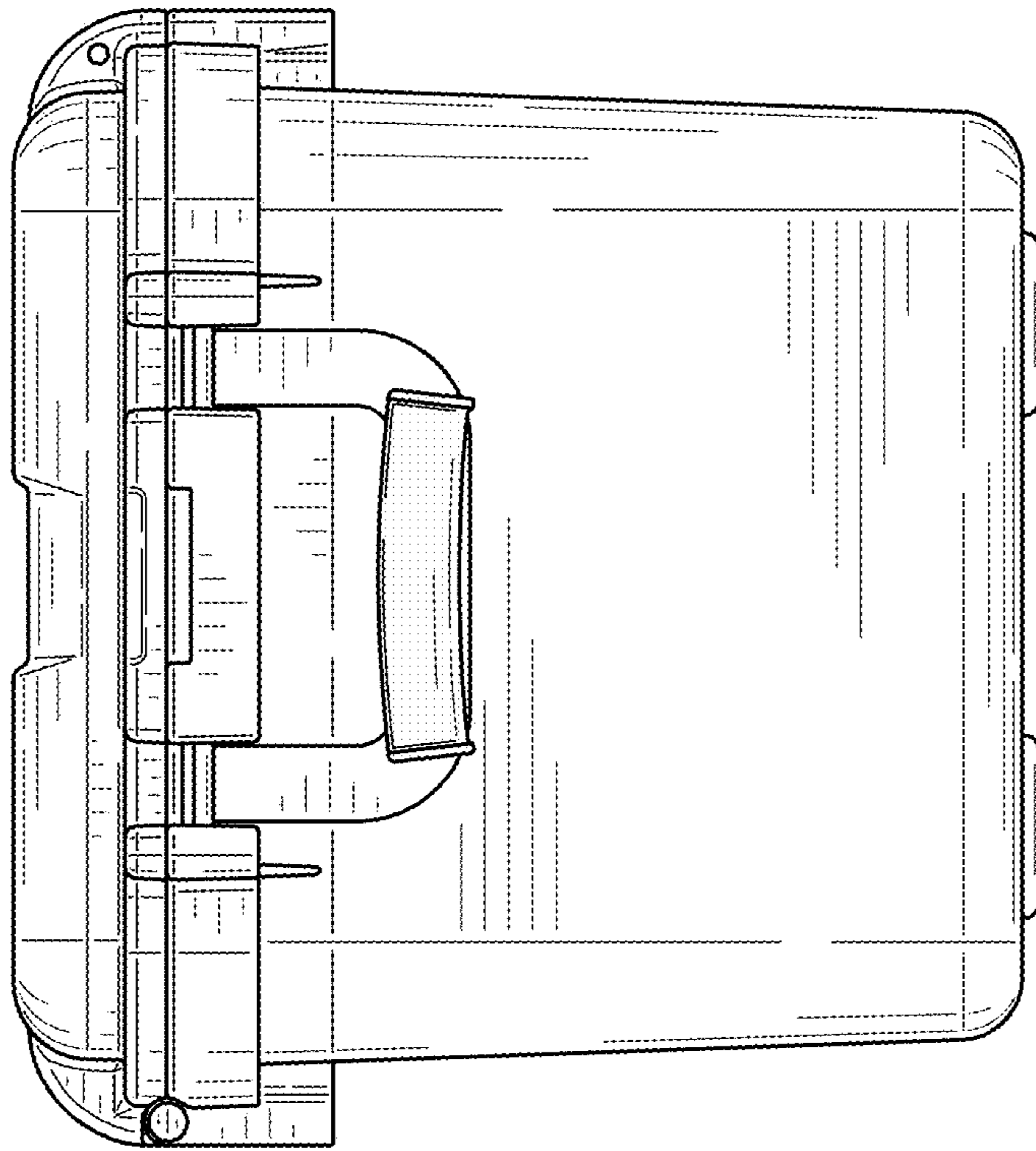


FIG. 5

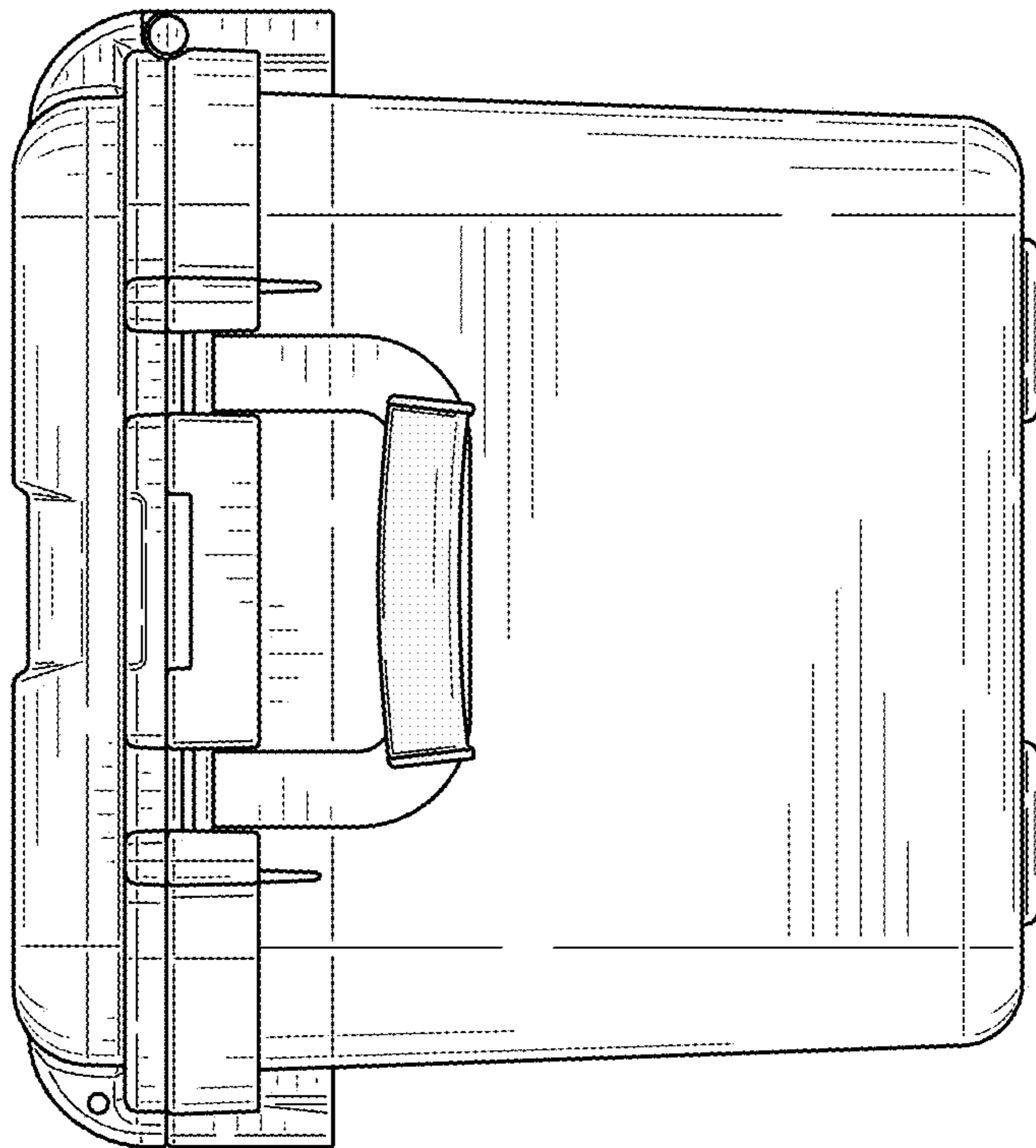


FIG. 4

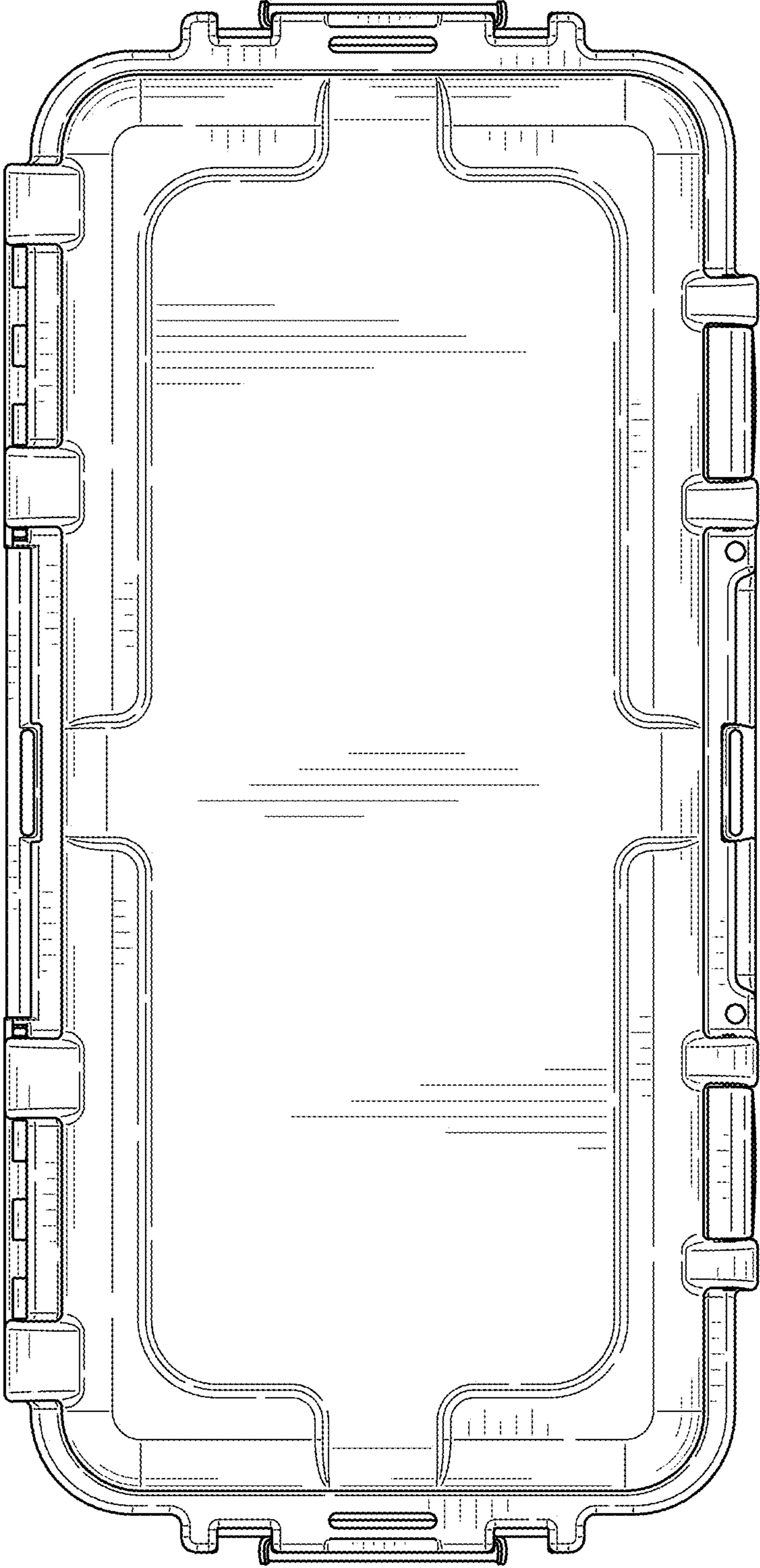


FIG. 6

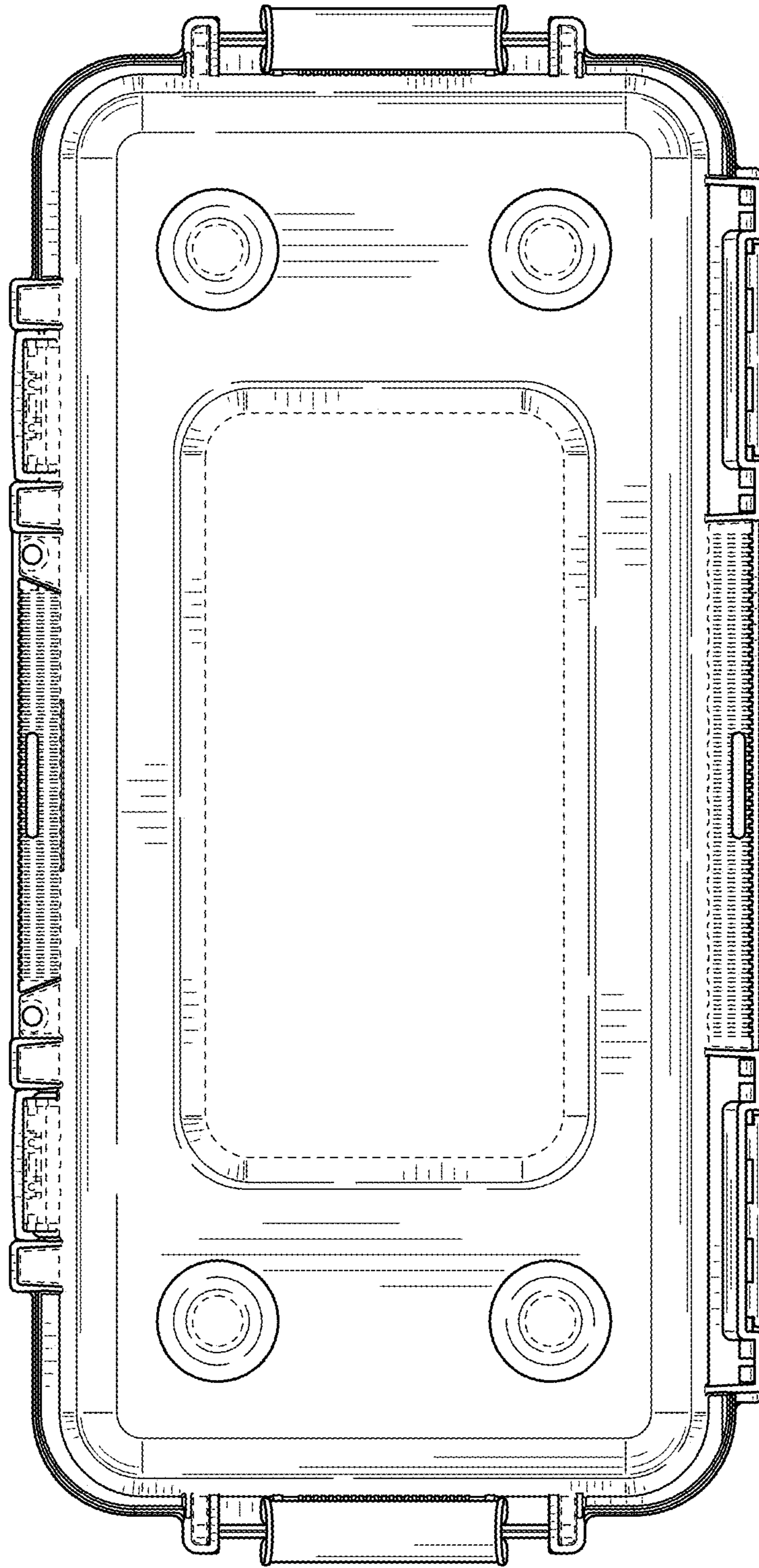


FIG. 7

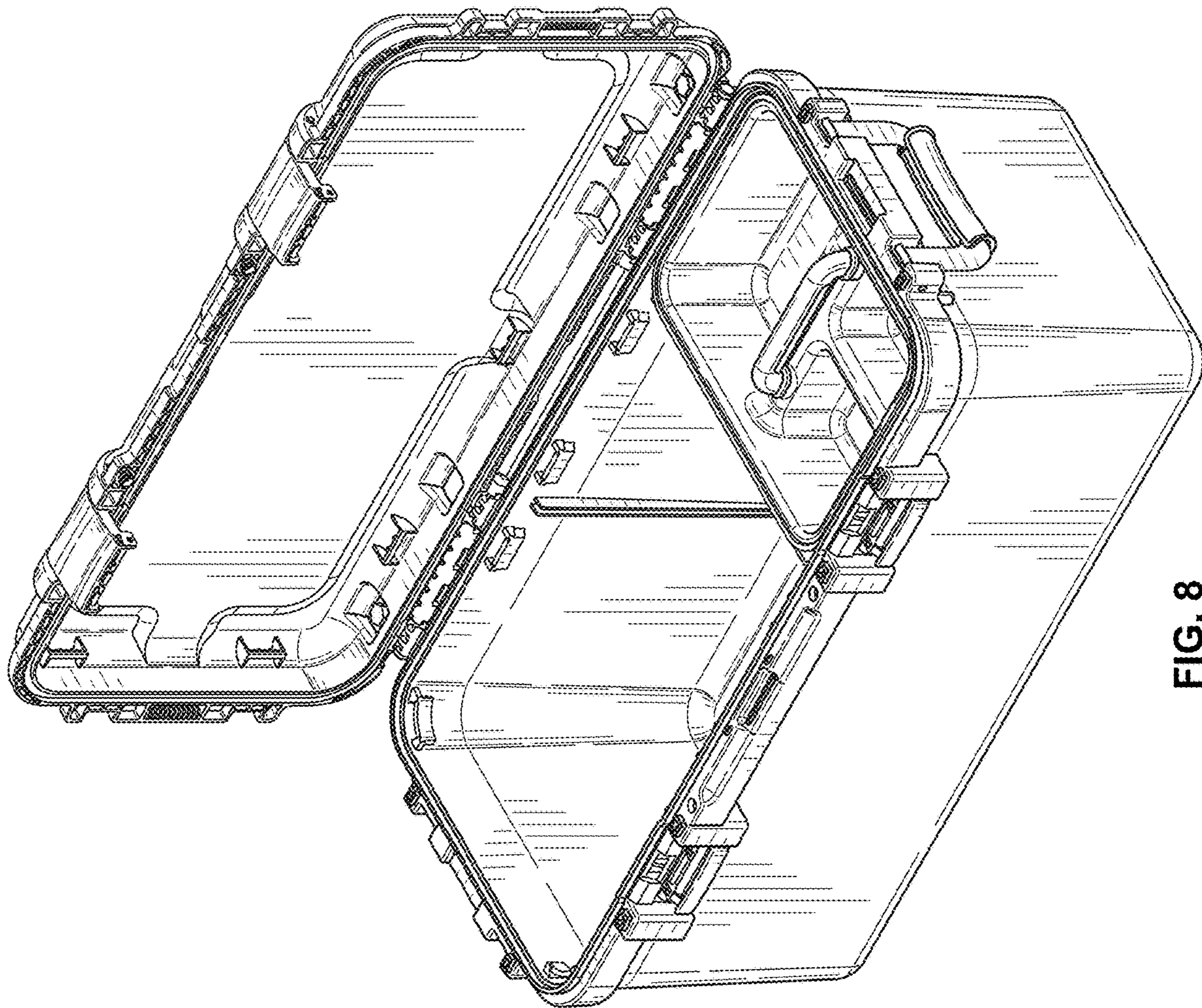


FIG. 8

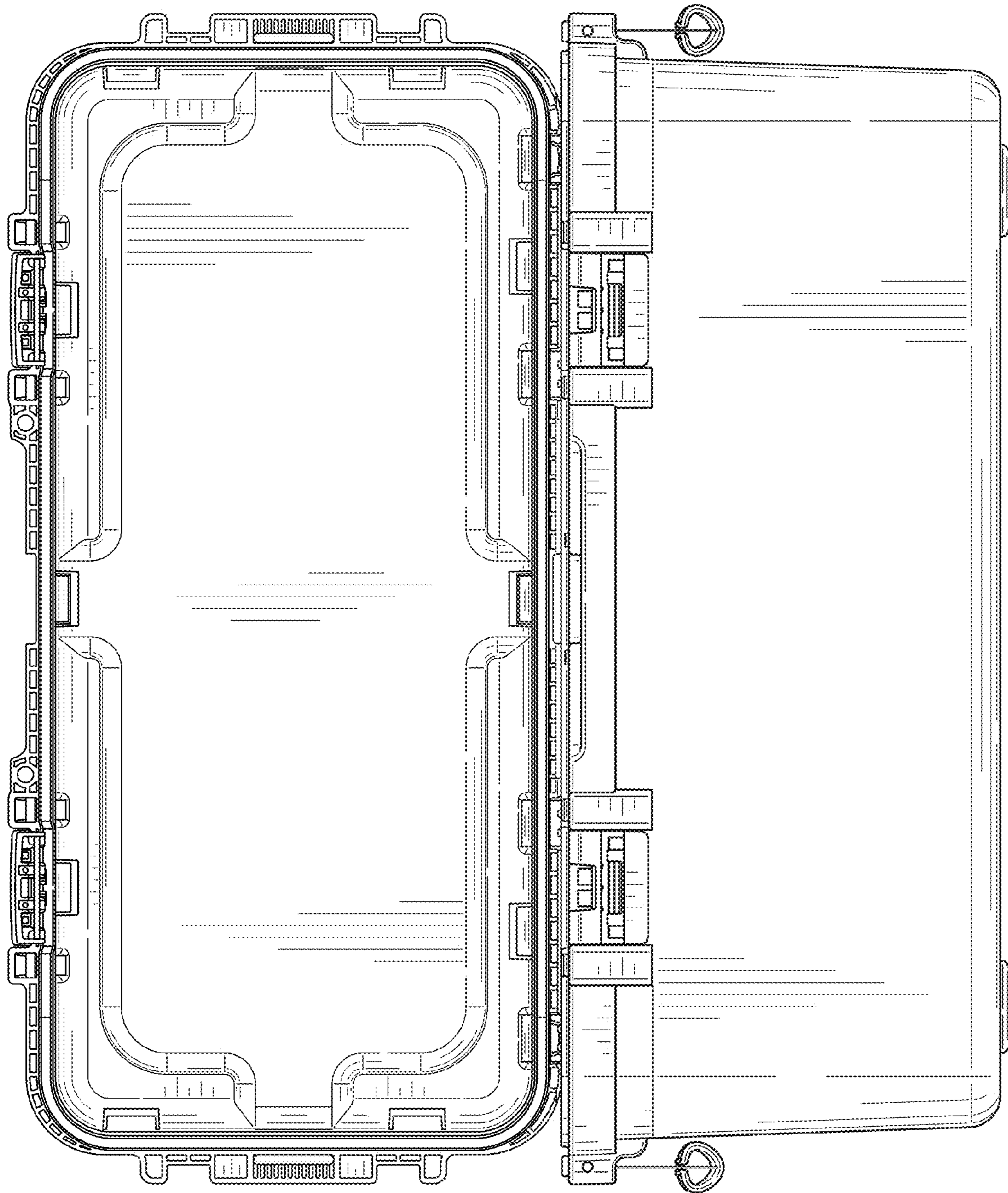


FIG. 9

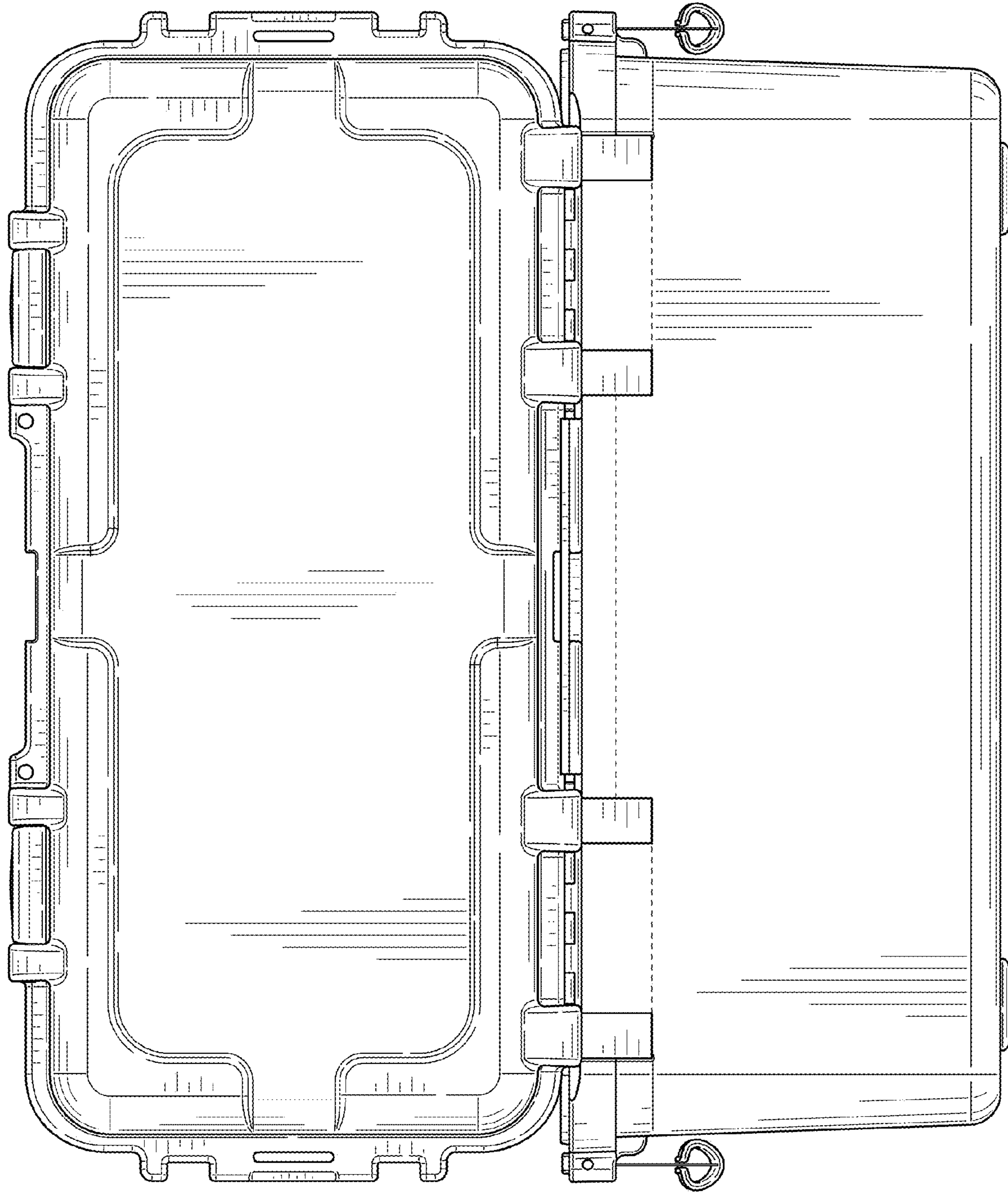


FIG. 10

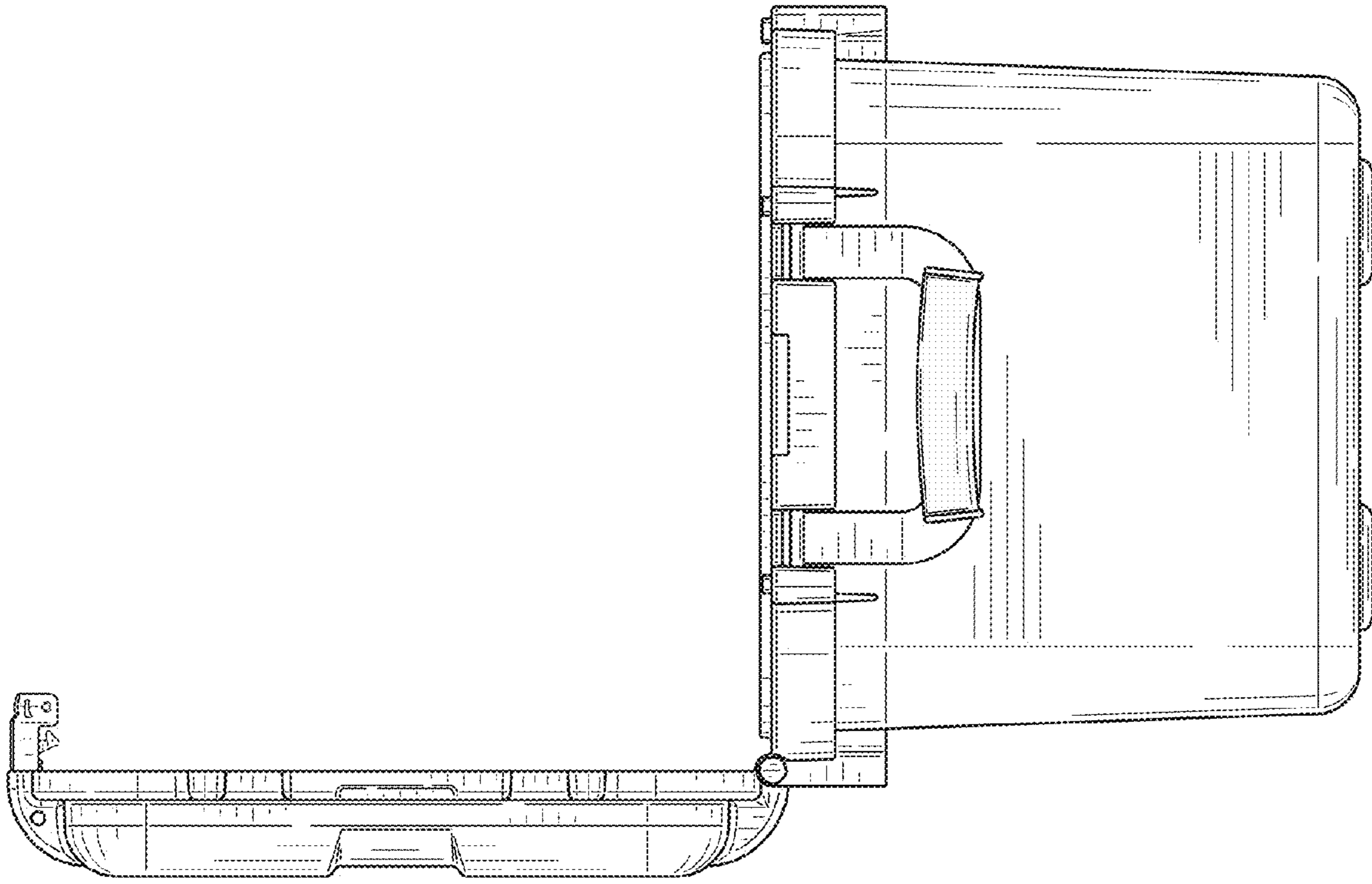


FIG. 11

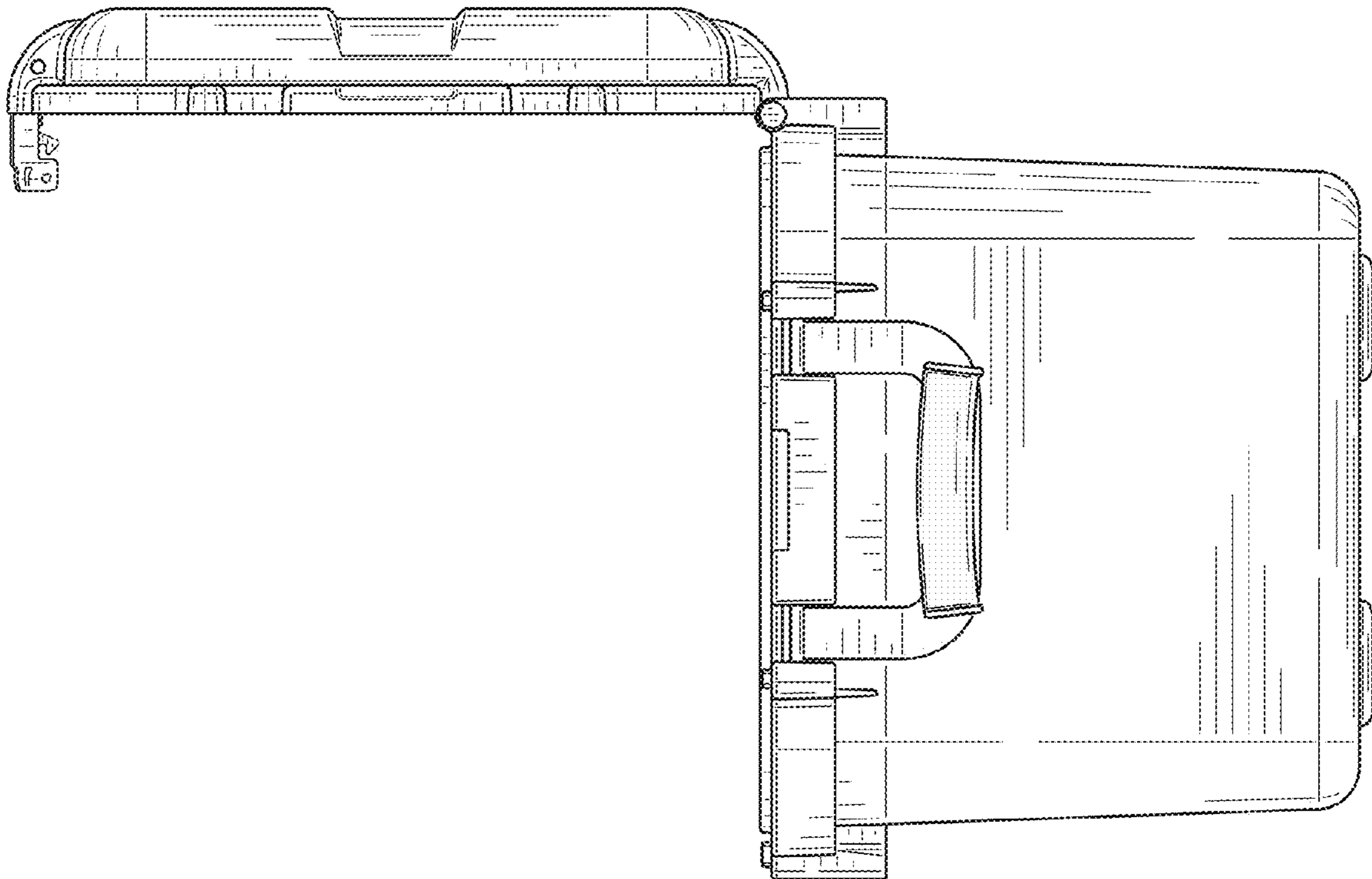


FIG. 12

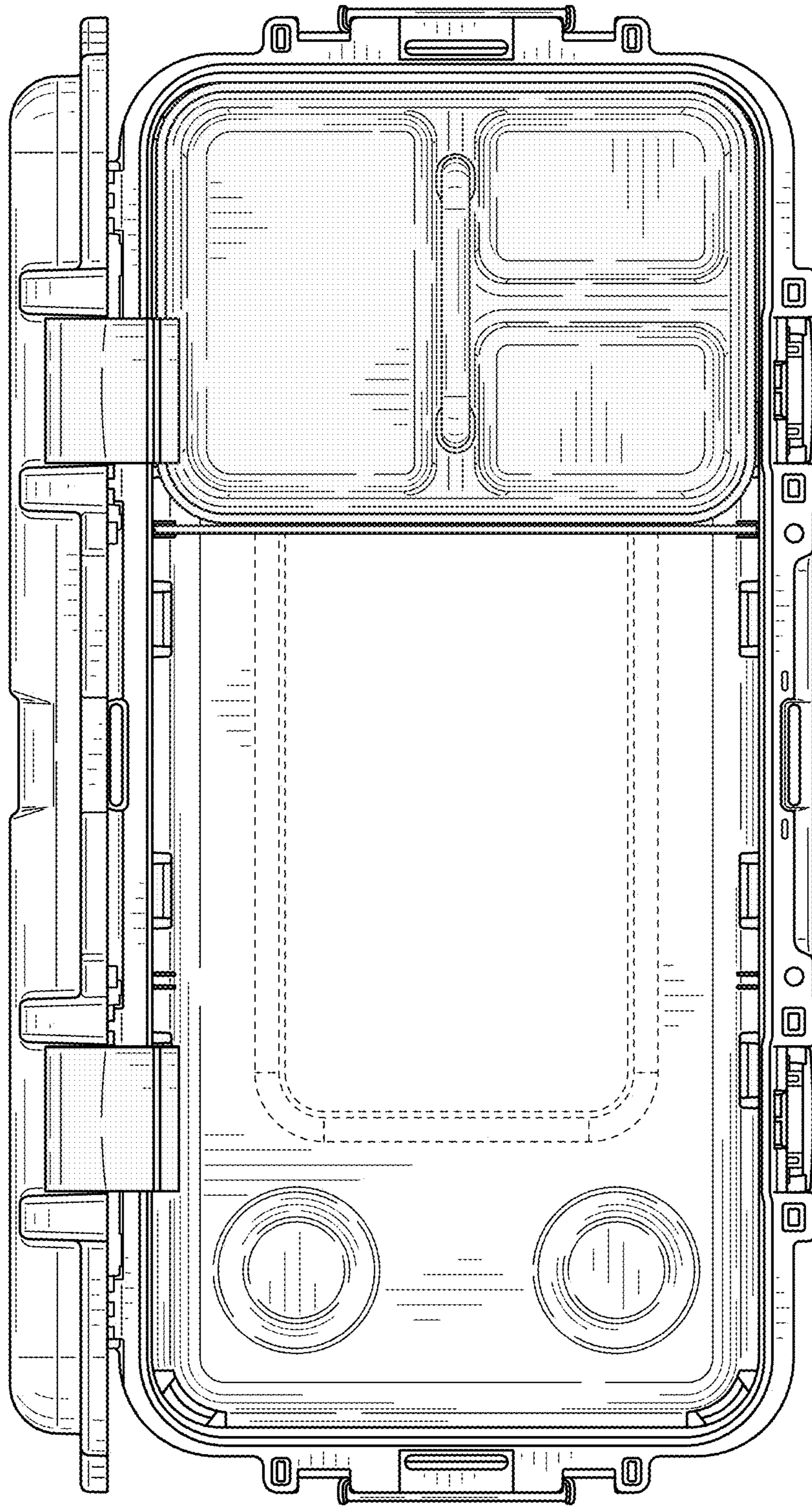


FIG. 13



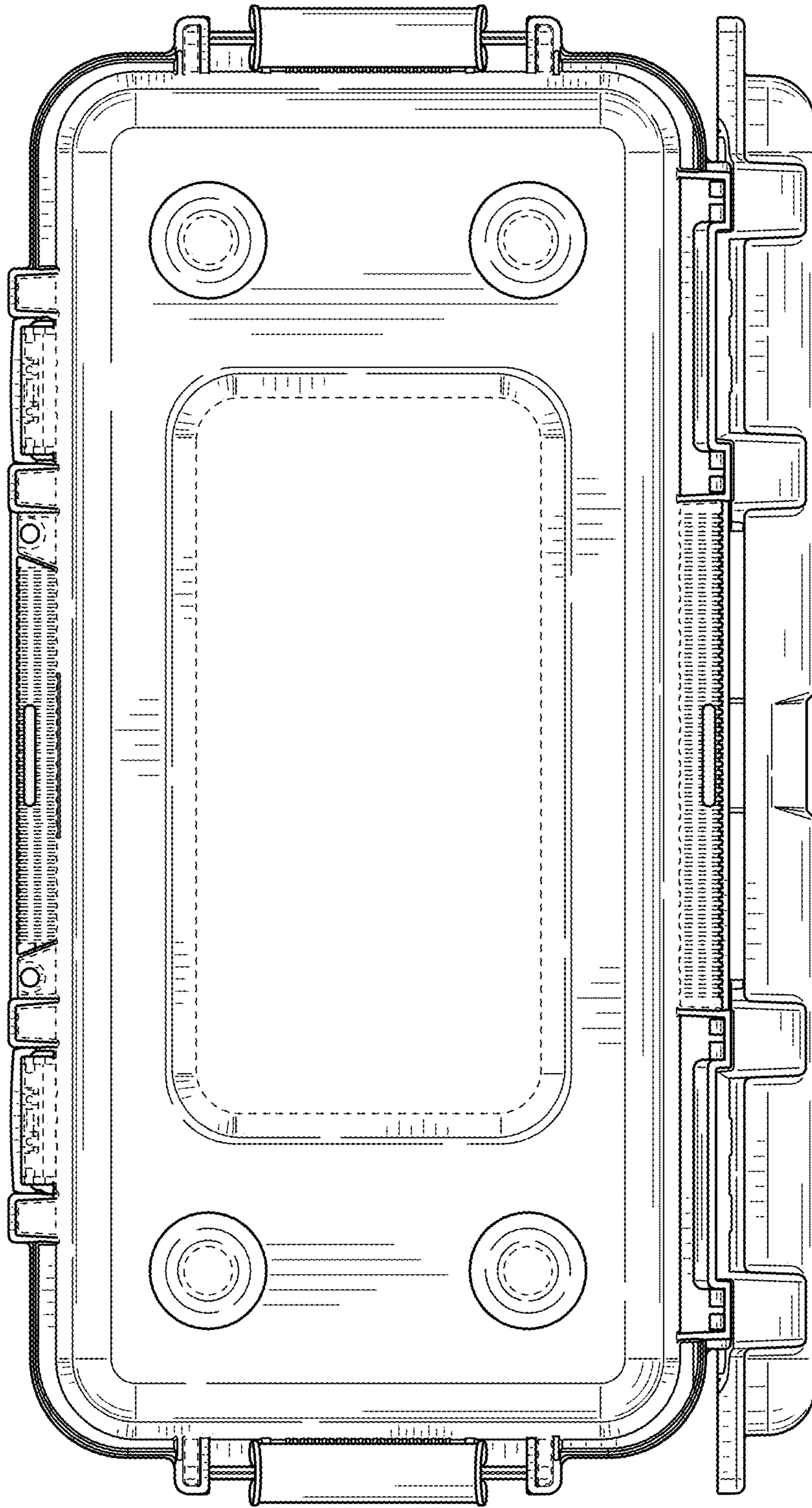


FIG. 14

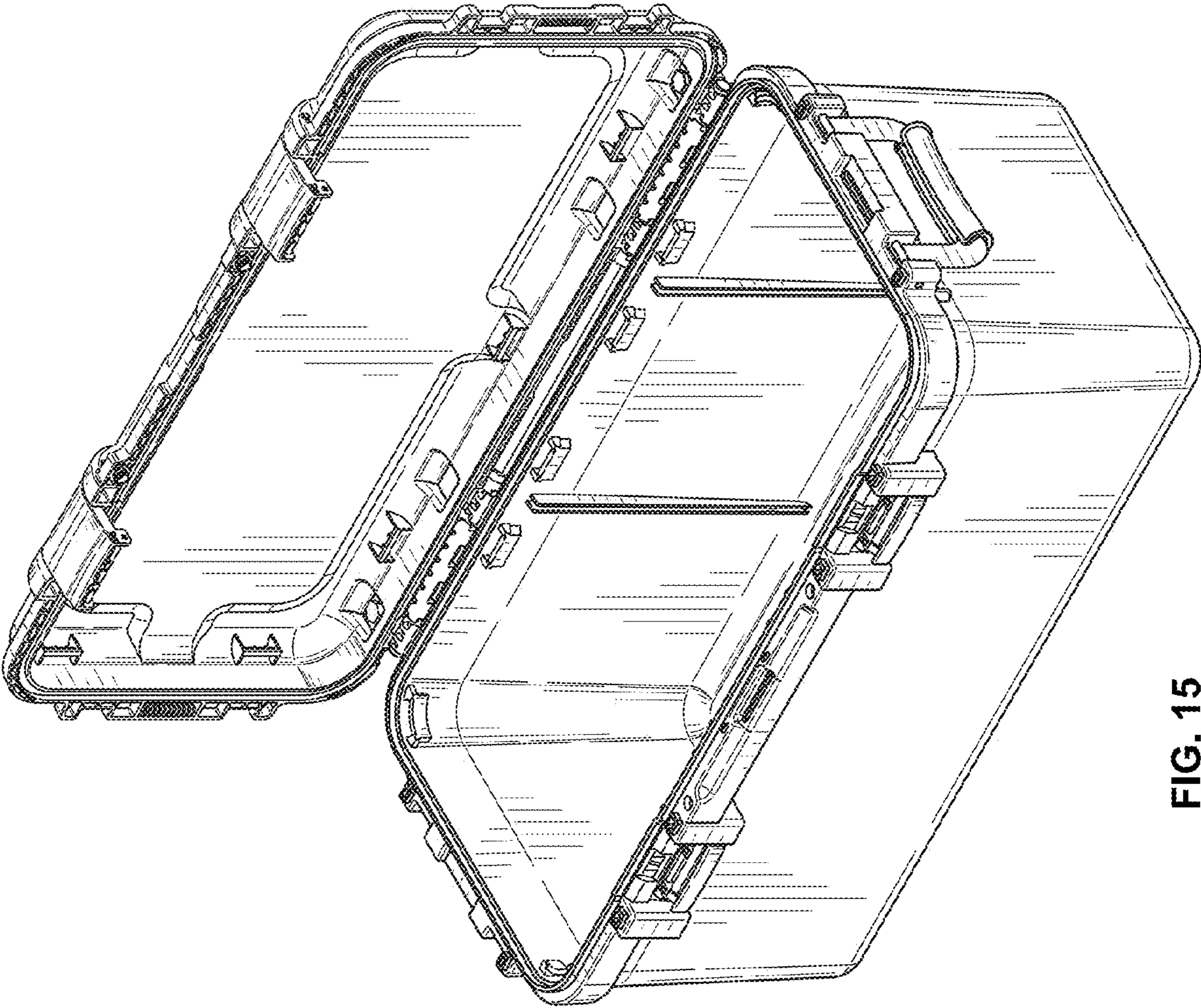


FIG. 15

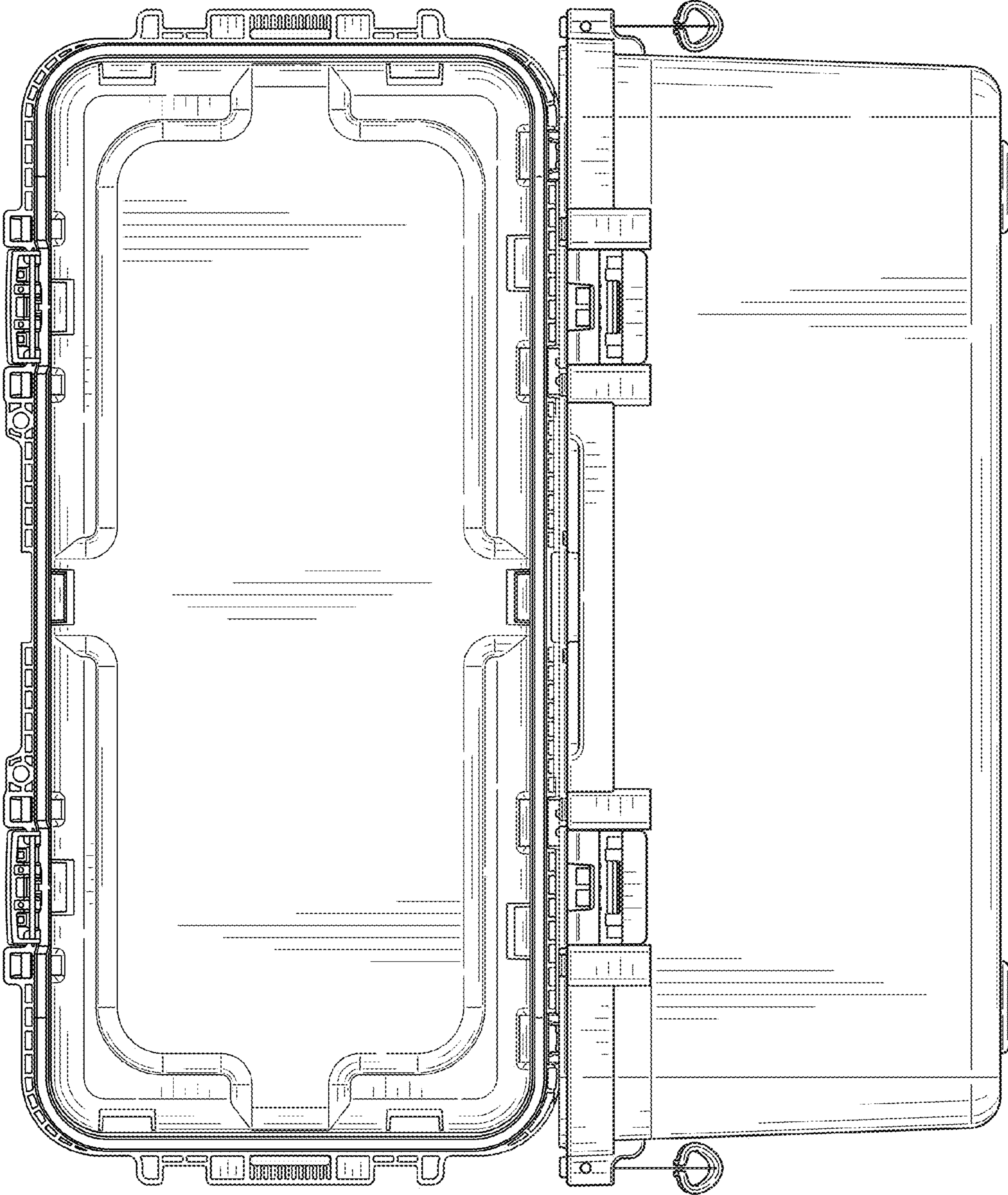


FIG. 16

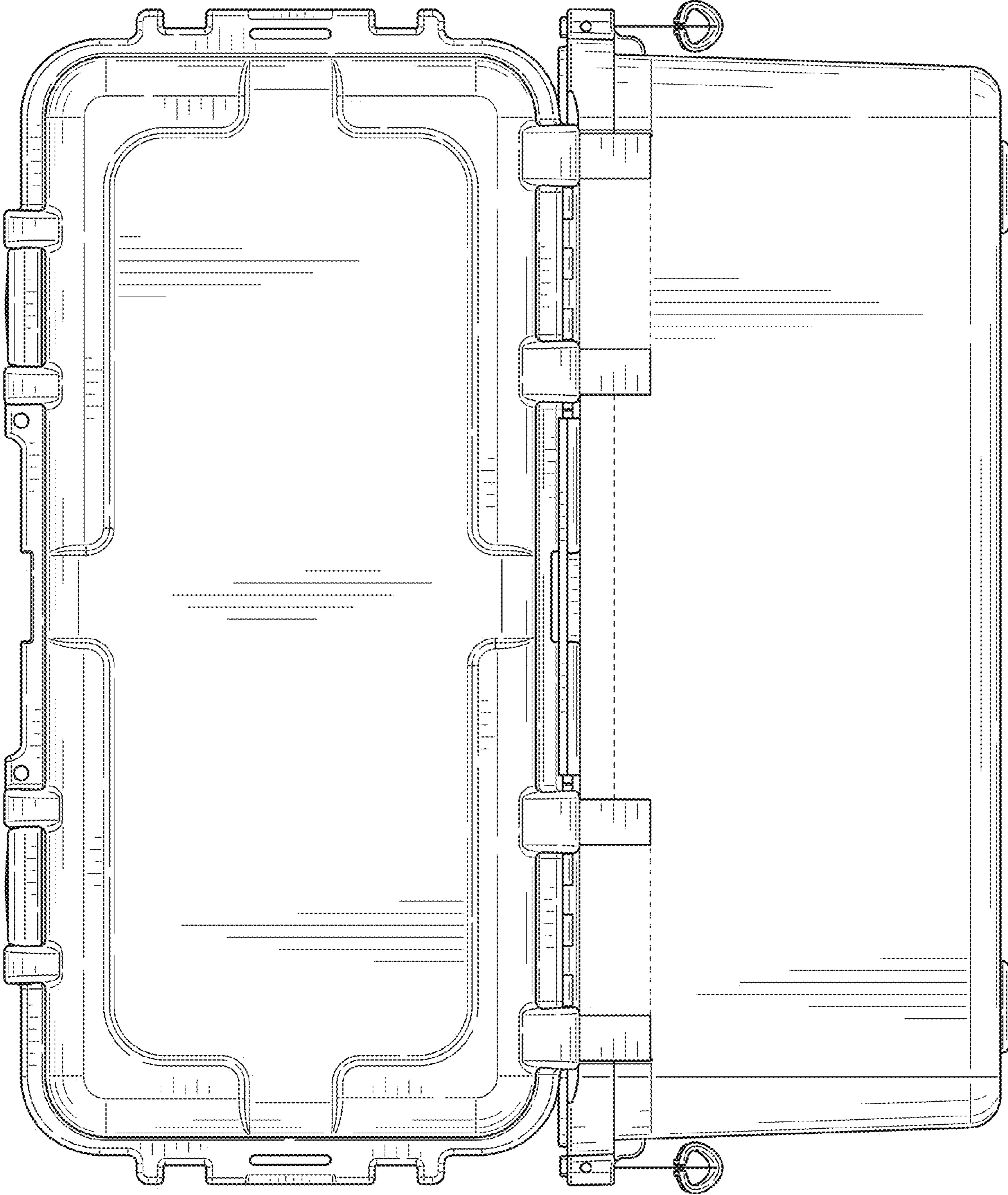


FIG. 17

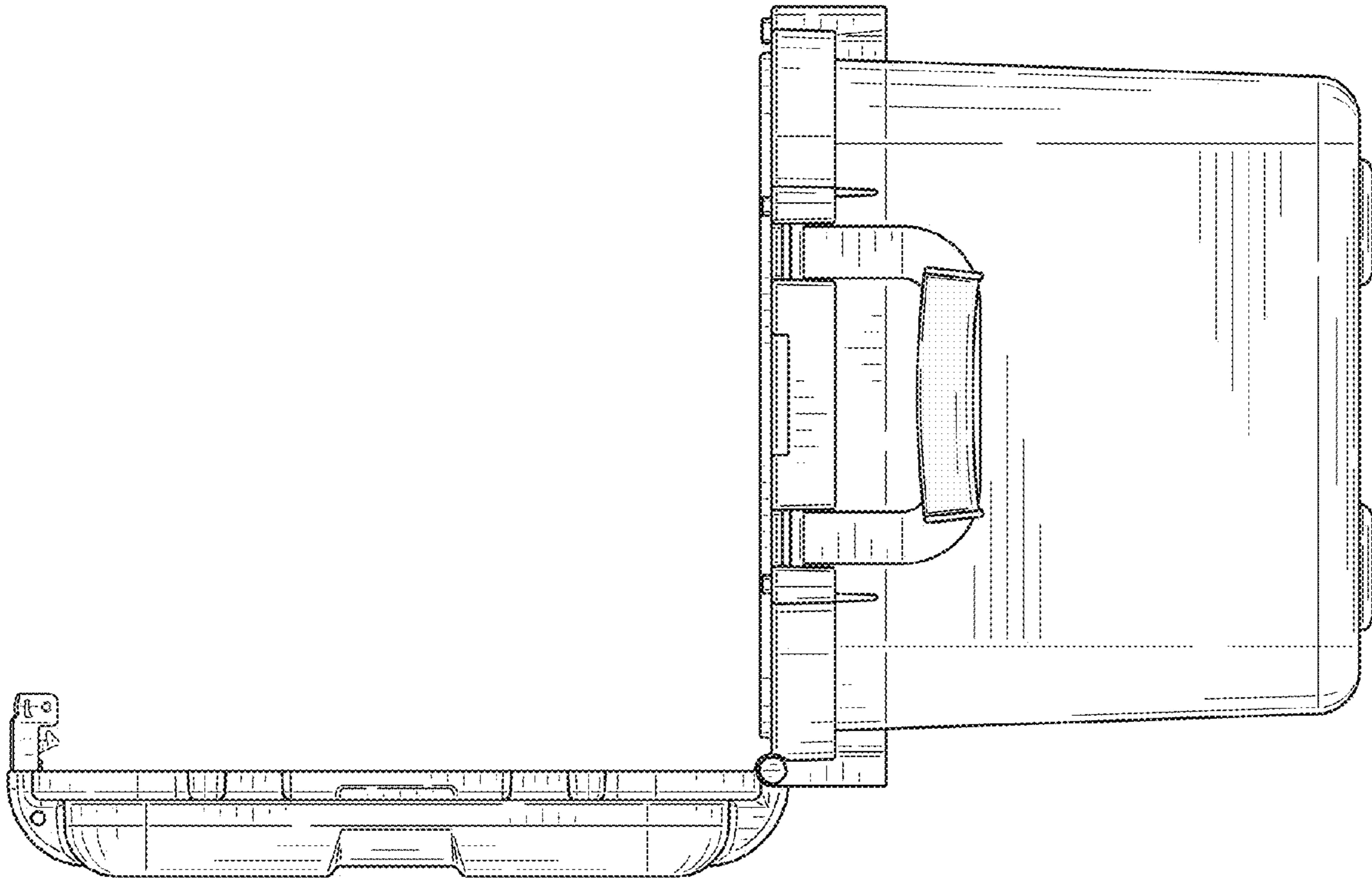


FIG. 18

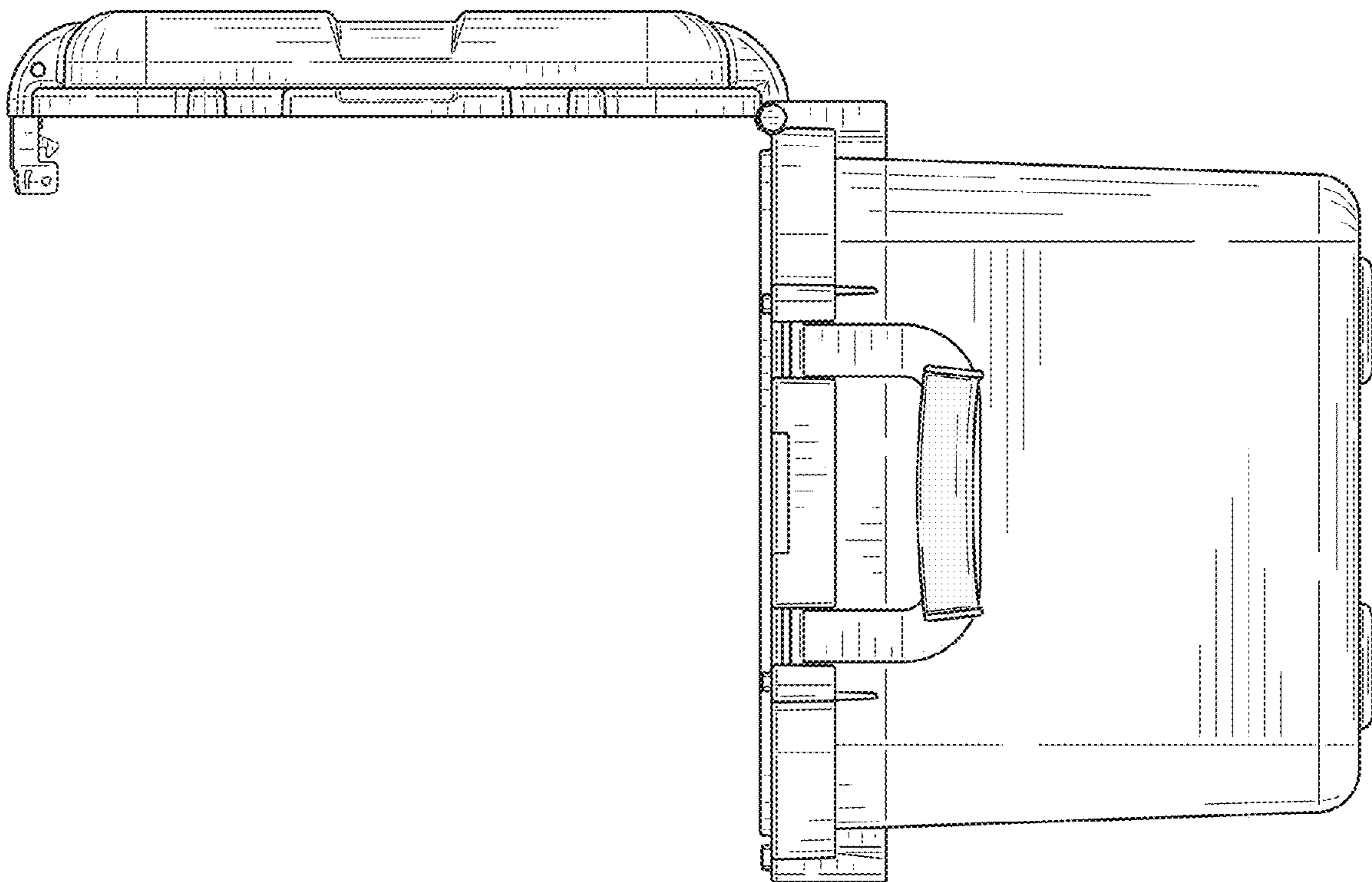


FIG. 19

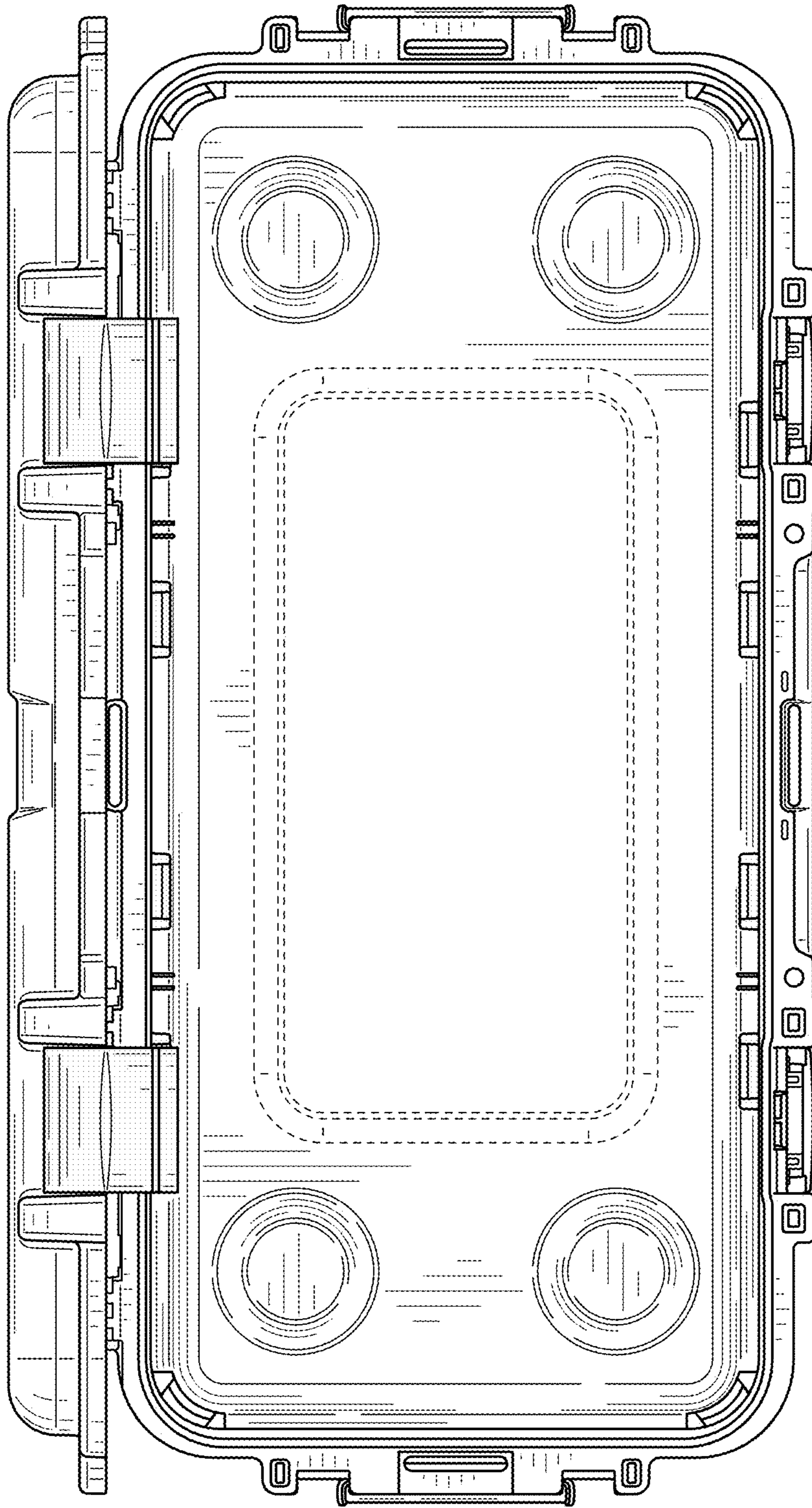


FIG. 20

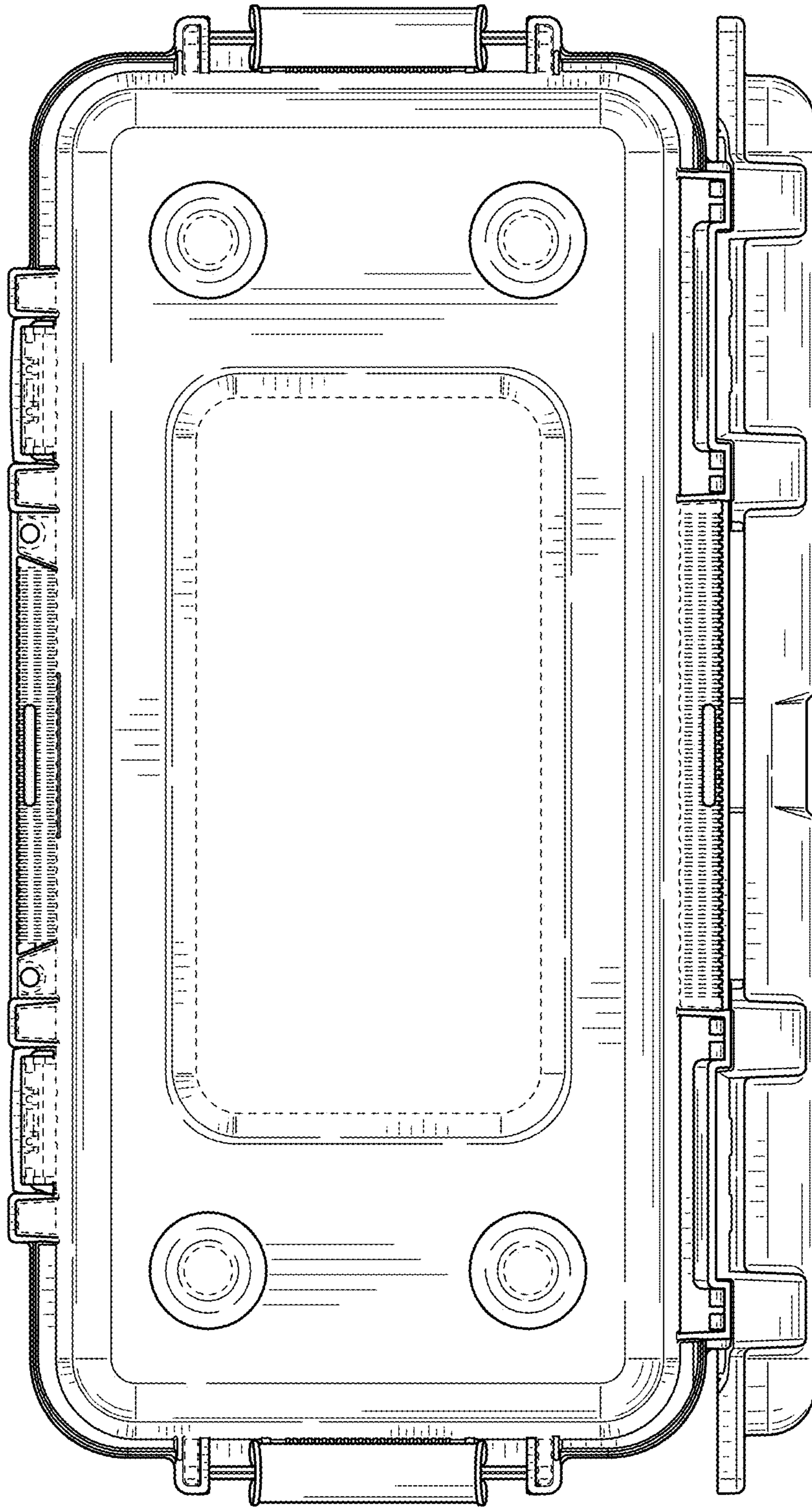


FIG. 21