



US00D985929S

(12) **United States Design Patent** (10) **Patent No.:** **US D985,929 S**
Chang (45) **Date of Patent:** **** May 16, 2023**

(54) **PILL ORGANIZER**

(71) Applicant: **E-LINK PLASTIC & METAL INDUSTRIAL CO., LTD.**, New Taipei (TW)

(72) Inventor: **Pin-Yang Chang**, New Taipei (TW)

(73) Assignee: **E-LINK PLASTIC & METAL INDUSTRIAL CO., LTD.**, New Taipei (TW)

(**) Term: **15 Years**

(21) Appl. No.: **29/774,160**

(22) Filed: **Mar. 15, 2021**

(51) **LOC (14) Cl.** **03-01**

(52) **U.S. Cl.**
USPC **D3/203.2**

(58) **Field of Classification Search**

USPC D3/201, 202, 203.1, 203.2, 203.3, 203.4, D3/203.5, 203.6, 203.7, 203.8, 204-212, D3/263-267, 270, 271.1, 273-275, 294, D3/295, 302, 901; D7/601, 602, D7/608-611, 614, 615, 637-639, D7/701-703; D9/600, 715, 717, 737, D9/756, 763, 766-773, 781, 782, 499; D13/108; D14/203.4, 203.5, 203.6, 204, D14/205, 509-511; D24/224-227
CPC A45C 11/00; A45C 11/005; A45C 11/008; A45C 11/02; A45C 11/04; A45C 11/043; A45C 11/046; A45C 11/06; A45C 11/08; A45C 11/10; A45C 11/12; A45C 11/14; A45C 11/16; A45C 11/18; A45C 2011/001; A45C 2011/002; A45C 2011/003; A45C 2011/006; A45C 2011/007

See application file for complete search history.

(56) **References Cited**

U.S. PATENT DOCUMENTS

D121,595 S * 7/1940 Menn D3/901
D141,980 S * 8/1945 Holland et al. D3/901

(Continued)

FOREIGN PATENT DOCUMENTS

CN 307215959 * 10/2021
GB 9003234129-0001 * 6/2016

(Continued)

OTHER PUBLICATIONS

E-339-3, available at elink-pm.com, date not available [online], site visited Jul. 22, 2022, available from the internet URL: https://www.elink-pm.com/productdetail_en.php?id=78 (Year: 2022).*

(Continued)

Primary Examiner — April Rivas

Assistant Examiner — Jillian Mazzola

(74) *Attorney, Agent, or Firm* — Alan D. Kamrath; Karin L. Williams; Mayer & Williams PC

(57) **CLAIM**

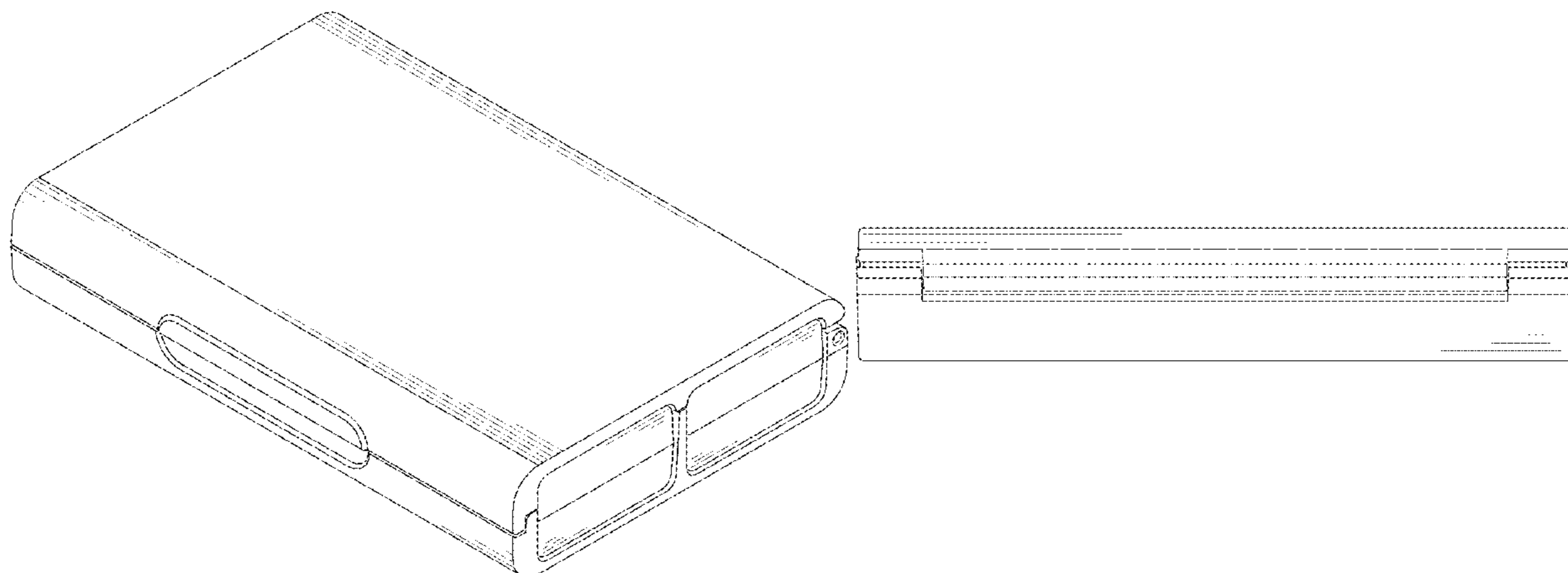
The ornamental design for a pill organizer, as shown and described.

DESCRIPTION

FIG. 1 is a perspective view of a pill organizer showing my new design;
FIG. 2 is a front elevation view thereof;
FIG. 3 is a rear elevation view thereof;
FIG. 4 is a left side elevation view thereof;
FIG. 5 is a right side elevation view thereof;
FIG. 6 is a top plan view thereof; and,
FIG. 7 is a bottom plan view thereof.

The dashed broken lines shown in the drawings depict portions of the pill organizer that form no part of the claimed design. The dashed-dotted broken line shown in FIG. 3 shows a boundary that forms no part of the claimed design.

1 Claim, 7 Drawing Sheets



(56)

References Cited

U.S. PATENT DOCUMENTS

D144,533 S * 4/1946 Worley 220/555
 D175,537 S * 9/1955 Combridge D3/265
 D260,700 S * 9/1981 Patrick D3/204
 D280,678 S * 9/1985 Loscalzo D3/901
 D306,519 S * 3/1990 Nakata D3/206
 D352,601 S * 11/1994 Dallaire D3/901
 D354,848 S * 1/1995 Lovell D3/205
 D359,163 S * 6/1995 Summerfield D3/205
 D412,786 S * 8/1999 Killinger D3/273
 D474,020 S * 5/2003 Wang D3/274
 D533,348 S * 12/2006 Andre D3/303
 D685,178 S * 7/2013 Lv D3/273
 D829,719 S * 10/2018 Shim D14/363
 D847,811 S * 5/2019 Shim D14/348
 D884,344 S * 5/2020 Jewett D3/294
 D911,020 S * 2/2021 Lee D3/203.2
 D940,718 S * 1/2022 Poulton D14/435
 D940,719 S * 1/2022 Poulton D14/435
 D944,793 S * 3/2022 Bi D14/348
 2013/0233735 A1 * 9/2013 Hurley B44D 3/125
 206/209

FOREIGN PATENT DOCUMENTS

GB 6002040 * 10/2016
 JP D1156921 * 10/2002

OTHER PUBLICATIONS

Restree Pill Organizer, available at amazon.com, earliest date available Dec. 14, 2021 [online], site visited Jul. 22, 2022, available from the internet URL: <https://www.amazon.com/Organizer-Dispenser-Moisture-Proof-Supplements-compartments/dp/B09NM582GR/> (Year: 2021).*

Smooth Trip Trifold Pill Organizer Box , available at amazon.com, earliest date available Apr. 15, 2014 [online], site visited Jul. 22, 2022, available from the internet URL: <https://www.amazon.com/Smooth-Trip-Tri-fold-Portable-Storage/dp/B00JKE4SB4> (Year: 2014).*

Fullicon Damp-Proof Pill Box, available at amazon.com, earliest date available Feb. 1, 2018 [online], site visited Jul. 22, 2022, available from the internet URL: <https://www.amazon.com/Damp-Proof-Waterproof-Medication-Organizer-Compartments/dp/B079J8BBCQ> (Year: 2018).*

* cited by examiner

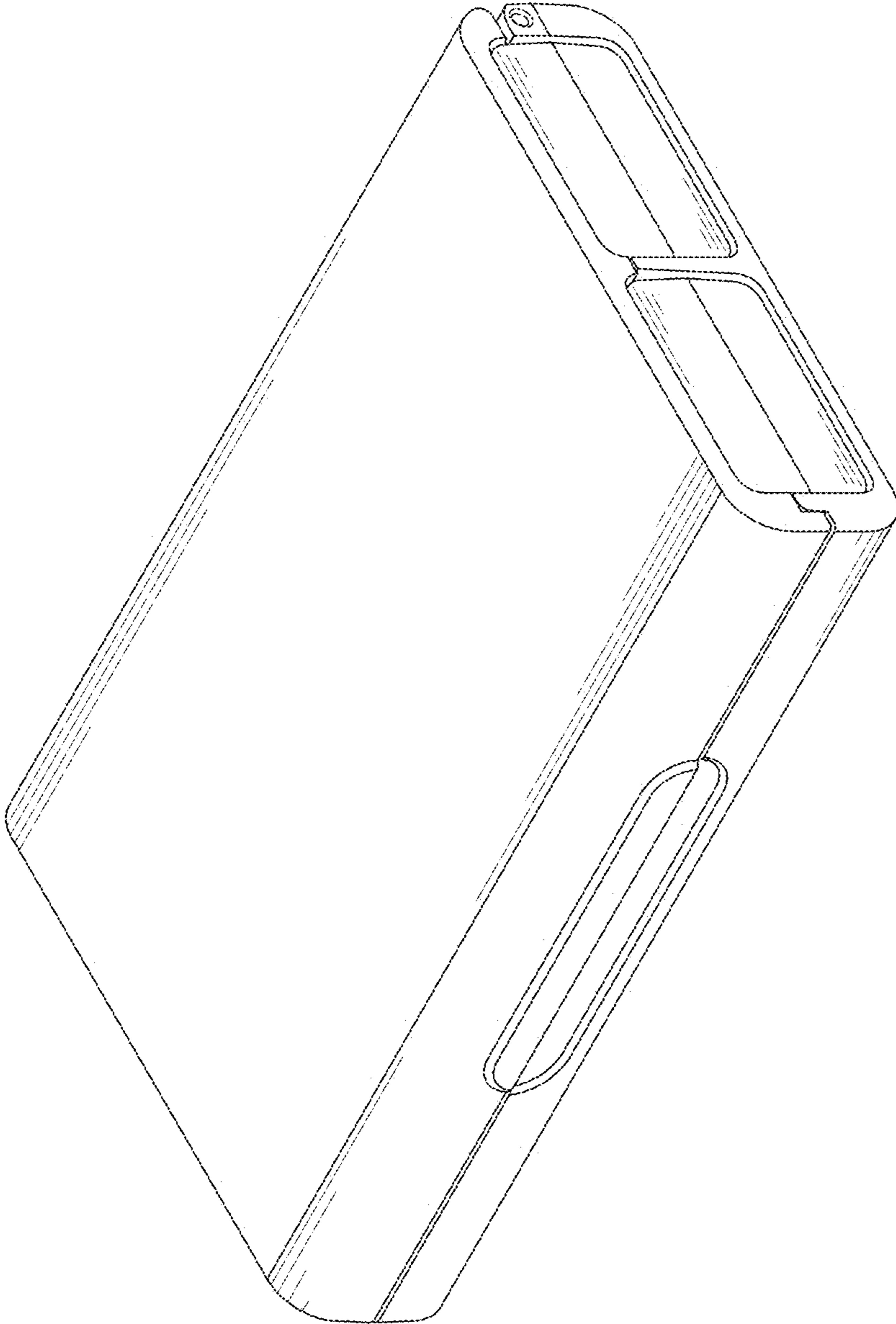


FIG. 1

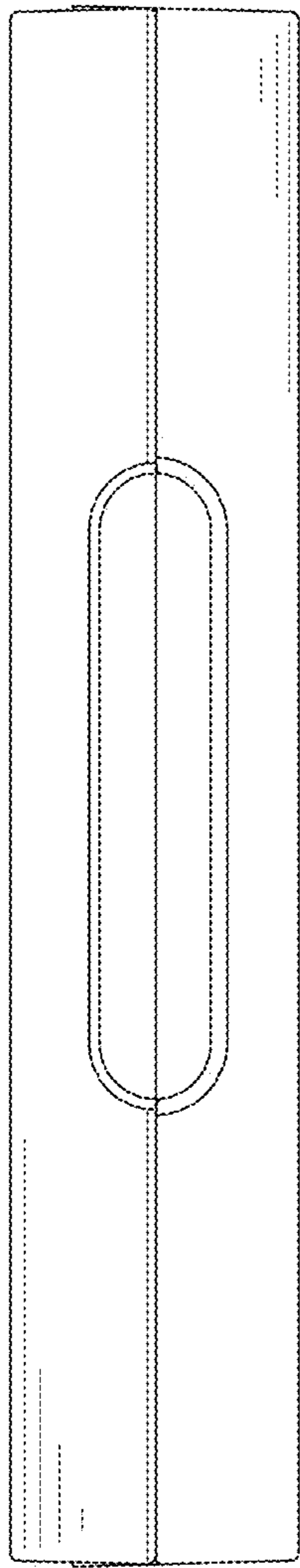


FIG. 2

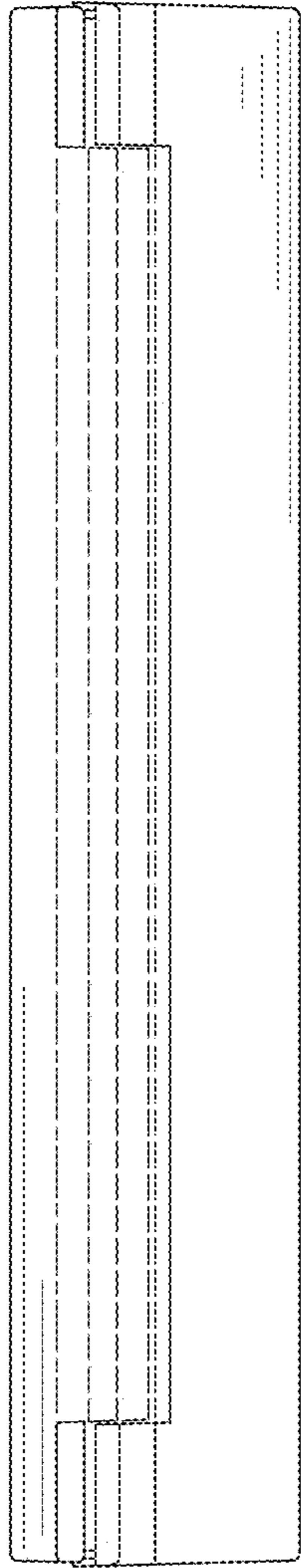


FIG. 3

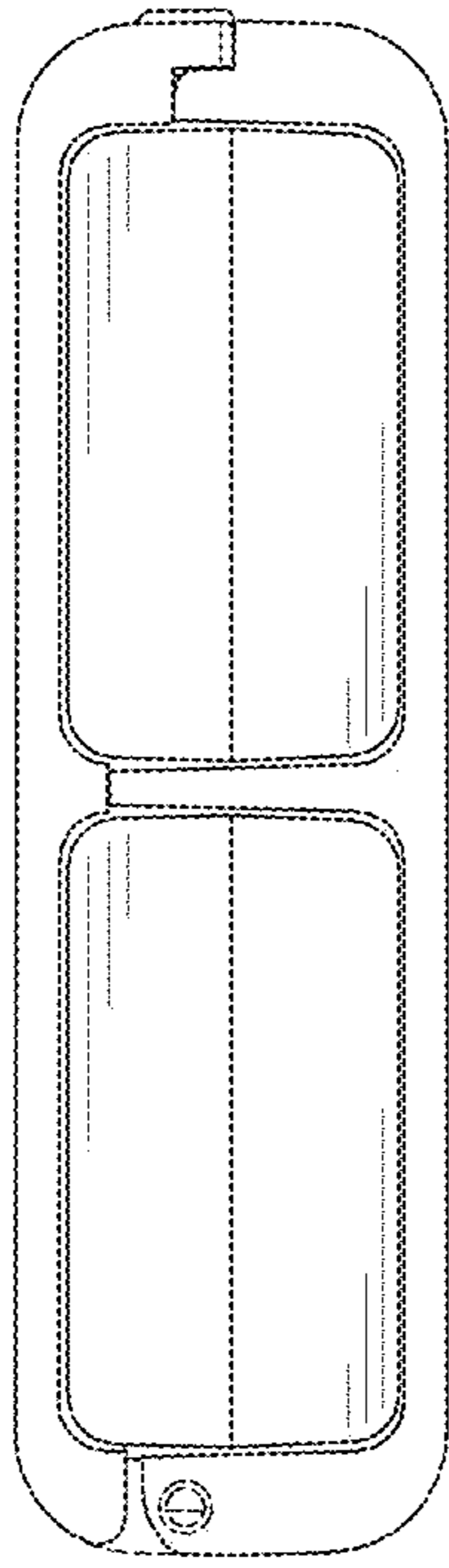


FIG. 4

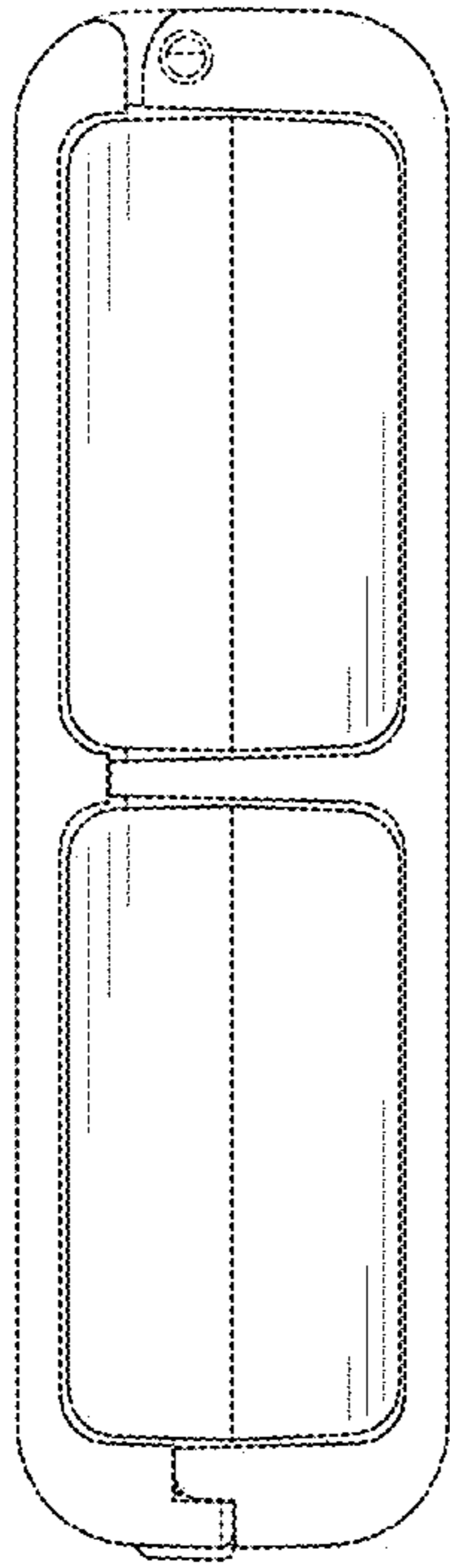


FIG. 5

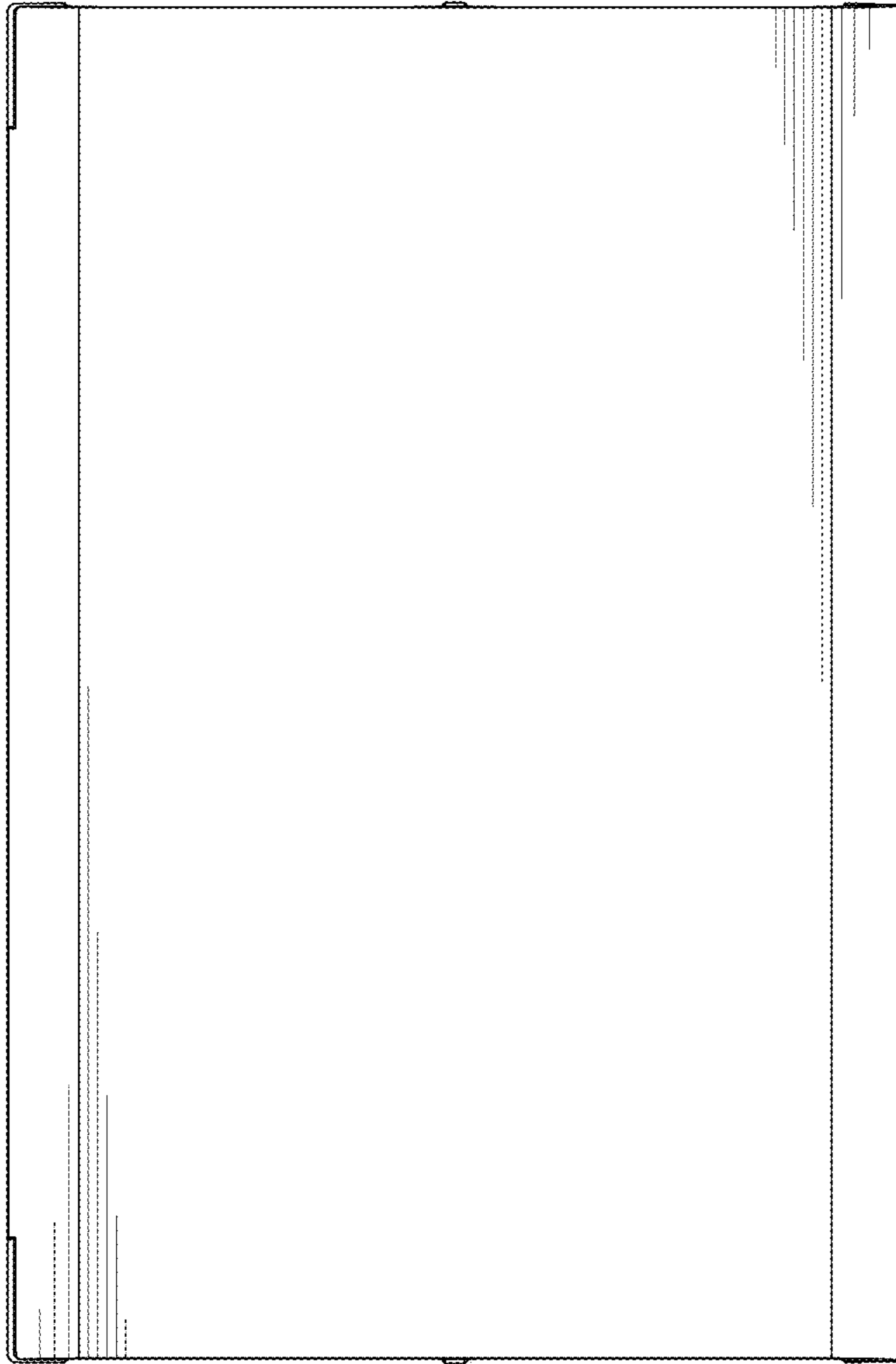


FIG. 6

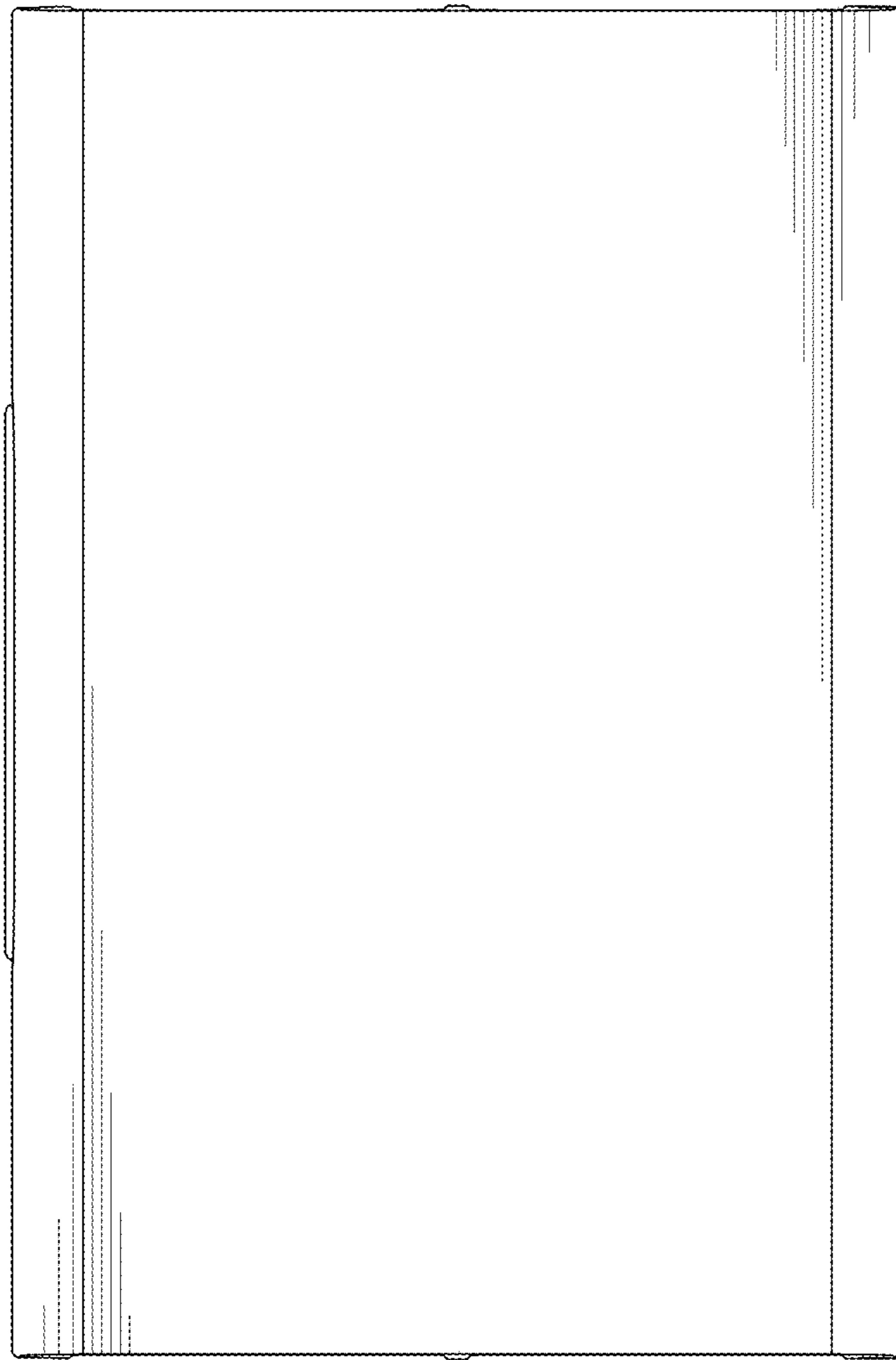


FIG. 7