



US00D985928S

(12) **United States Design Patent** (10) **Patent No.:** **US D985,928 S**  
**Wang** (45) **Date of Patent:** **\*\* May 16, 2023**

(54) **SANDBAG**  
(71) Applicant: **Fei Wang**, Shaoxing (CN)  
(72) Inventor: **Fei Wang**, Shaoxing (CN)  
(\*\*) Term: **15 Years**  
(21) Appl. No.: **29/881,670**  
(22) Filed: **Jan. 5, 2023**  
(51) **LOC (14) Cl.** ..... **03-01**  
(52) **U.S. Cl.**  
USPC ..... **D3/201; D21/839**  
(58) **Field of Classification Search**  
USPC ..... D3/5, 10, 201, 205, 215–217, 232–233,  
D3/244–246, 254, 259, 265, 269, 273,  
D3/276, 289, 291, 300–303;  
D9/702–705, 707; D21/680, 691, 787,  
D21/798, 834, 837, 839–840; D25/56–57  
CPC ..... A63B 21/072; A63B 69/305; A63B  
2071/026; Y10S 248/91; Y10S 135/902;  
E04H 12/2246; B65D 33/28  
See application file for complete search history.

(56) **References Cited**  
U.S. PATENT DOCUMENTS  
D377,201 S \* 1/1997 Howard ..... D21/787  
D385,452 S \* 10/1997 Marti ..... D3/234  
6,186,662 B1 \* 2/2001 Jackson ..... A45C 3/00  
383/117  
D476,151 S \* 6/2003 Peterson ..... D3/254  
7,111,730 B1 \* 9/2006 Alas ..... A63B 60/60  
206/315.1  
D537,711 S \* 3/2007 Limber ..... D3/301  
D539,136 S \* 3/2007 Limber ..... D3/301  
D544,554 S \* 6/2007 Brun ..... D21/680  
7,721,748 B2 \* 5/2010 Dreamwalker ..... E04H 15/60  
135/120.1  
7,946,305 B1 \* 5/2011 Mailman ..... A45B 25/22  
135/905  
D672,414 S \* 12/2012 Januszek ..... D21/680

8,714,174 B1 \* 5/2014 DeSousa ..... E04H 15/58  
135/117  
D740,565 S \* 10/2015 Ludeman ..... D3/307  
D740,903 S \* 10/2015 Siciliano ..... D21/798  
9,586,119 B2 \* 3/2017 Fu ..... A63B 21/4035  
D783,110 S 4/2017 Haas et al.  
D792,531 S \* 7/2017 Bossier ..... D21/682  
D851,195 S \* 6/2019 Anderson ..... D21/839  
D860,635 S \* 9/2019 Connelly ..... D3/300  
D944,001 S 2/2022 Coughlan

(Continued)

*Primary Examiner* — Jennifer L Watkins  
*Assistant Examiner* — Samantha Lynne Brodowski  
(74) *Attorney, Agent, or Firm* — Rumit Ranjit Kanakia

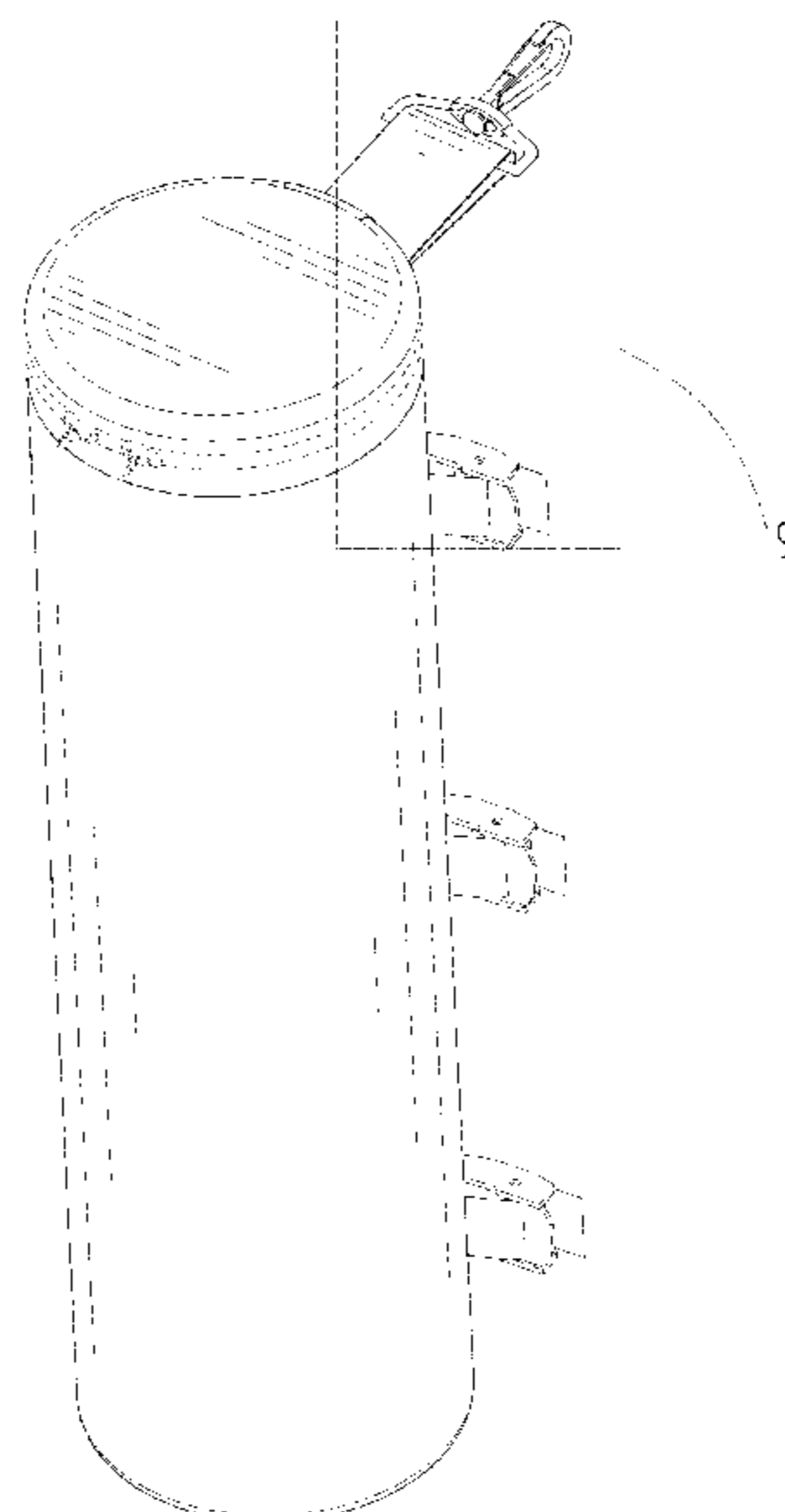
(57) **CLAIM**

The ornamental design for a sandbag, as shown and described.

**DESCRIPTION**

FIG. 1 is a first perspective view of a sandbag showing my new design;  
FIG. 2 is a second perspective view thereof;  
FIG. 3 is a front view thereof;  
FIG. 4 is a back view thereof;  
FIG. 5 is a left side view thereof;  
FIG. 6 is a right side view thereof;  
FIG. 7 is a top view thereof;  
FIG. 8 is a bottom view thereof;  
FIG. 9 is an enlarged view of the selected portion 9 in FIG. 1;  
FIG. 10 is an enlarged view of the selected portion 10 in FIG. 2; and,  
FIG. 11 is an enlarged view of the selected portion 11 in FIG. 4.  
The broken lines shown in the drawings depict portions of the sandbag that form no part of the claimed design.  
The dash-dot-dash broken lines depict cut lines of the enlarged portions and form no part of the claimed design.

**1 Claim, 11 Drawing Sheets**



(56)

**References Cited**

U.S. PATENT DOCUMENTS

D944,904 S	3/2022	He et al.	
D977,988 S *	2/2023	Wang .....	D9/707
2014/0226919 A1 *	8/2014	Fu .....	A63B 69/20 383/3
2015/0040957 A1 *	2/2015	Mallookis .....	E04H 15/62 135/96

\* cited by examiner

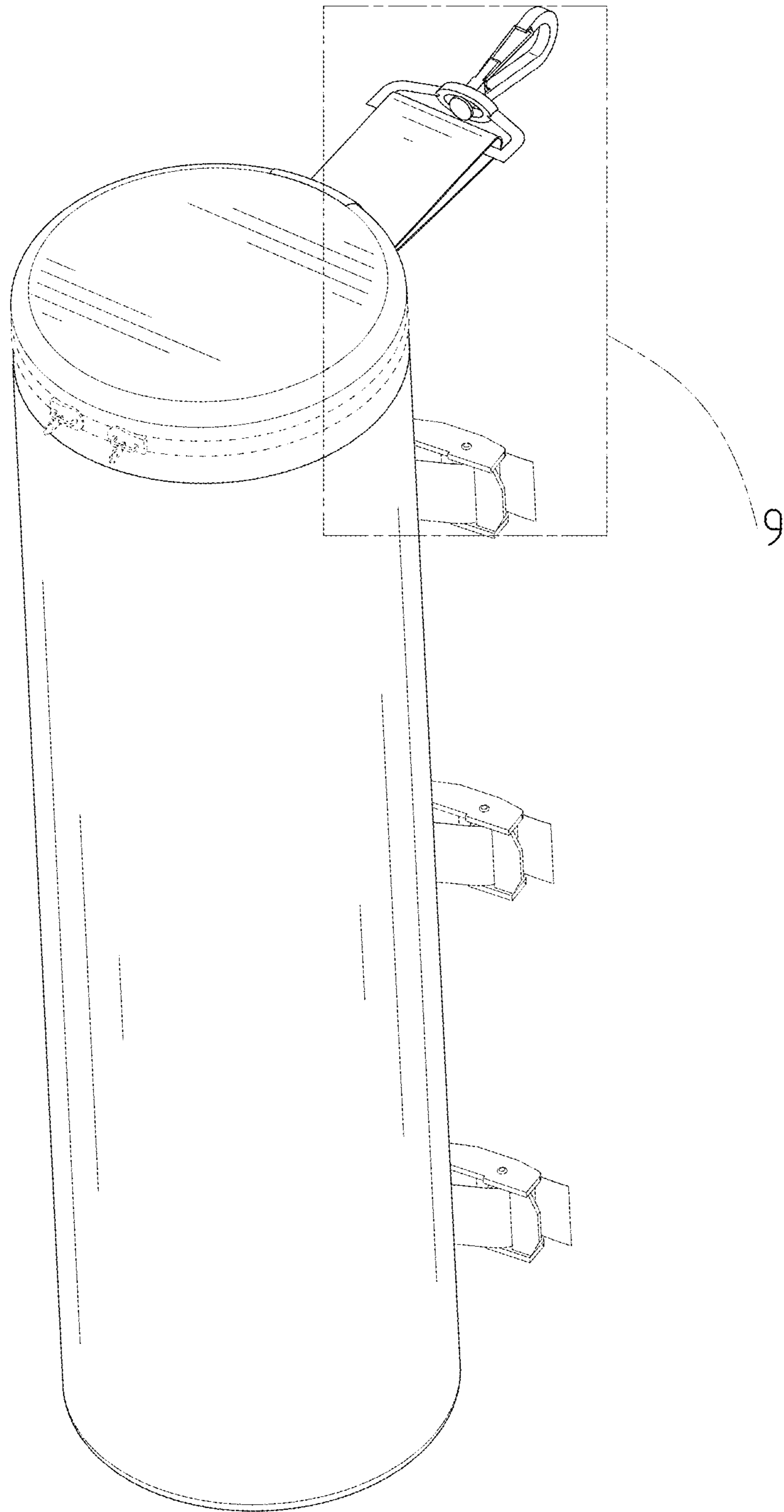


FIG. 1

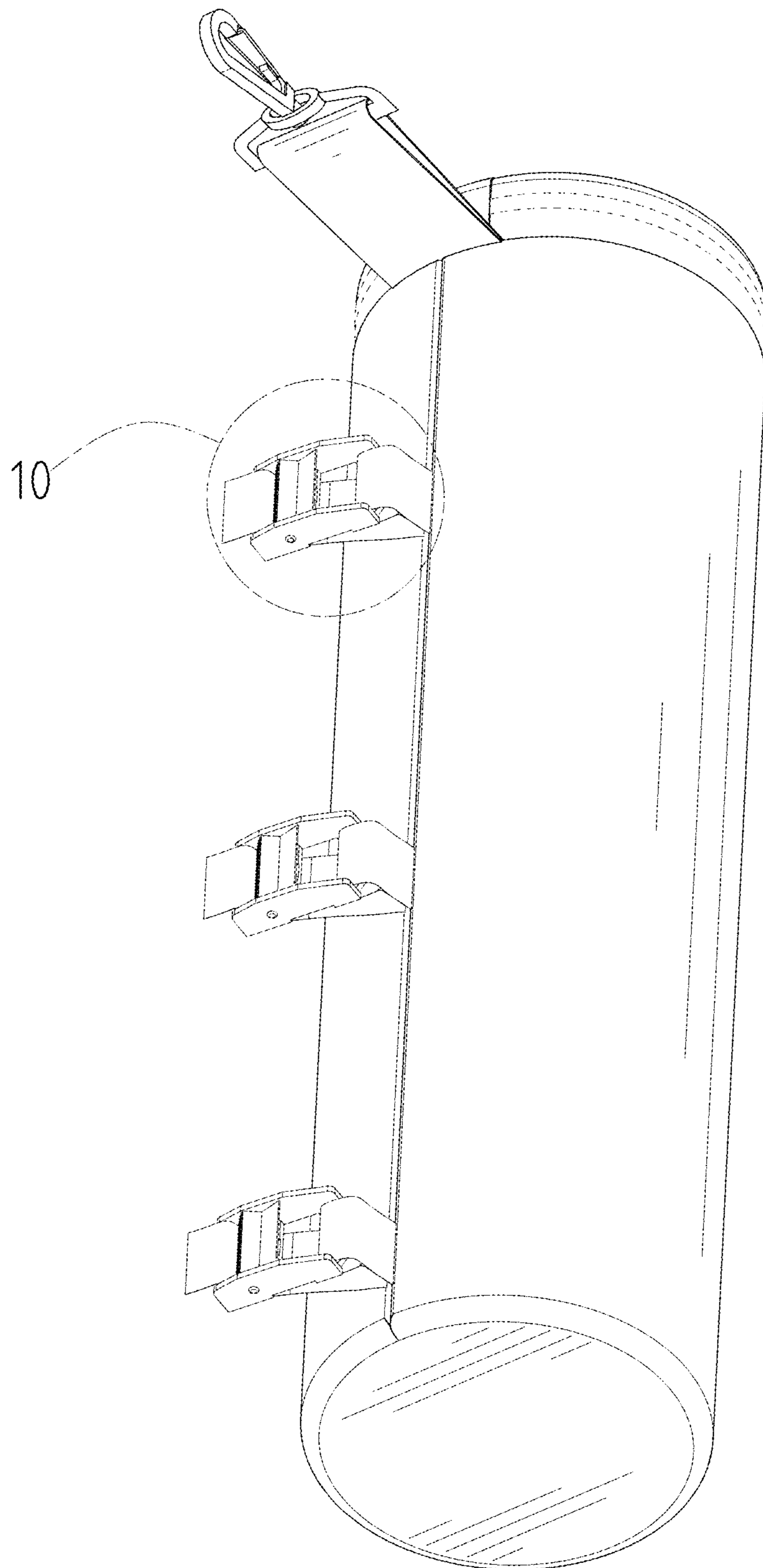


FIG. 2

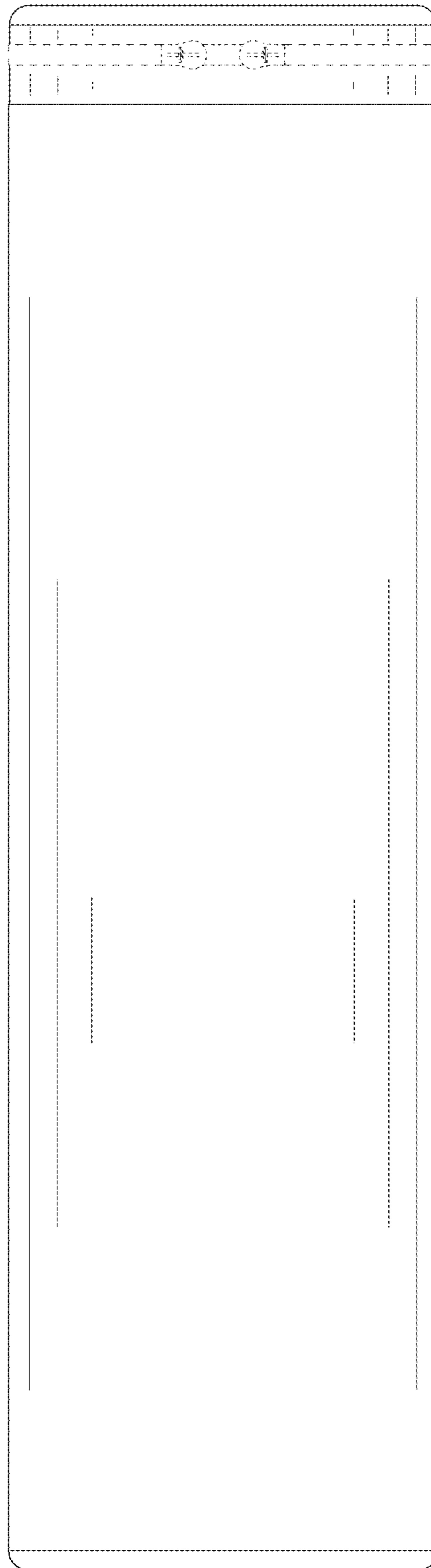


FIG. 3

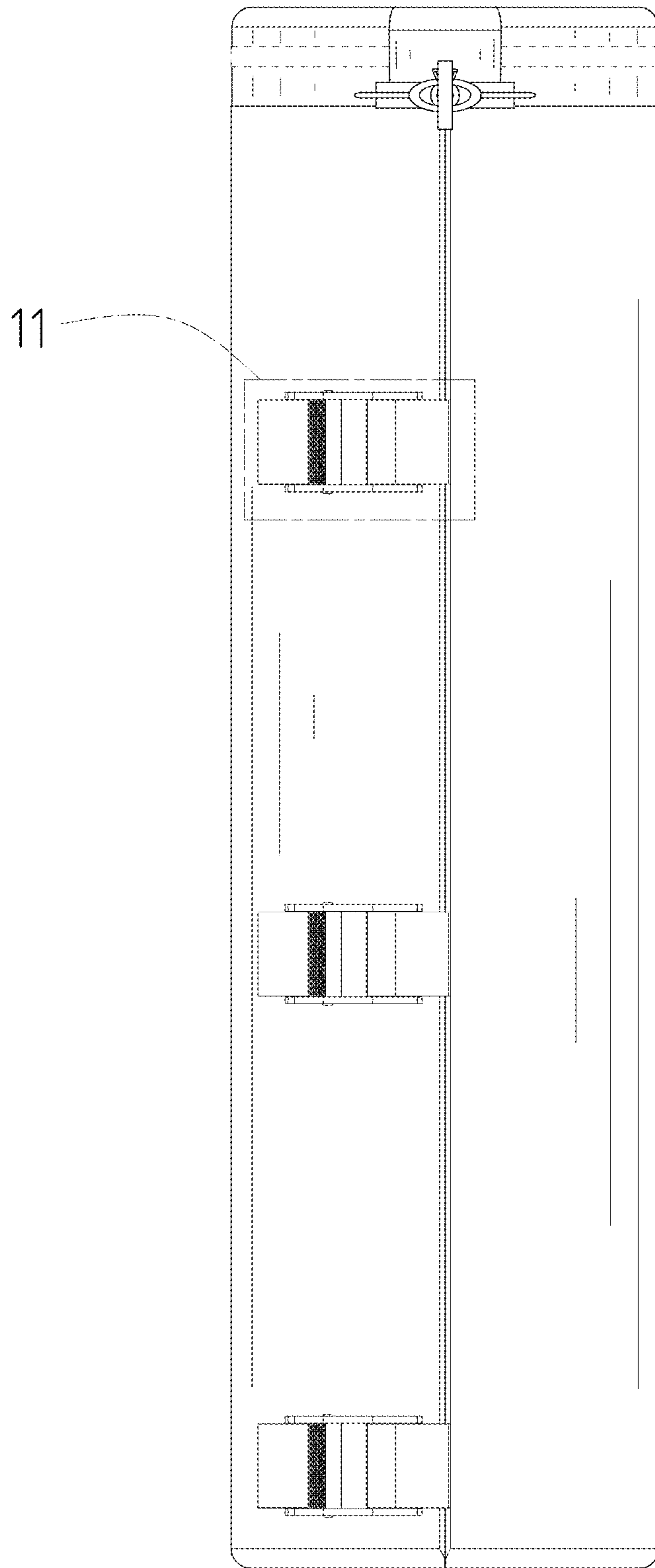


FIG. 4

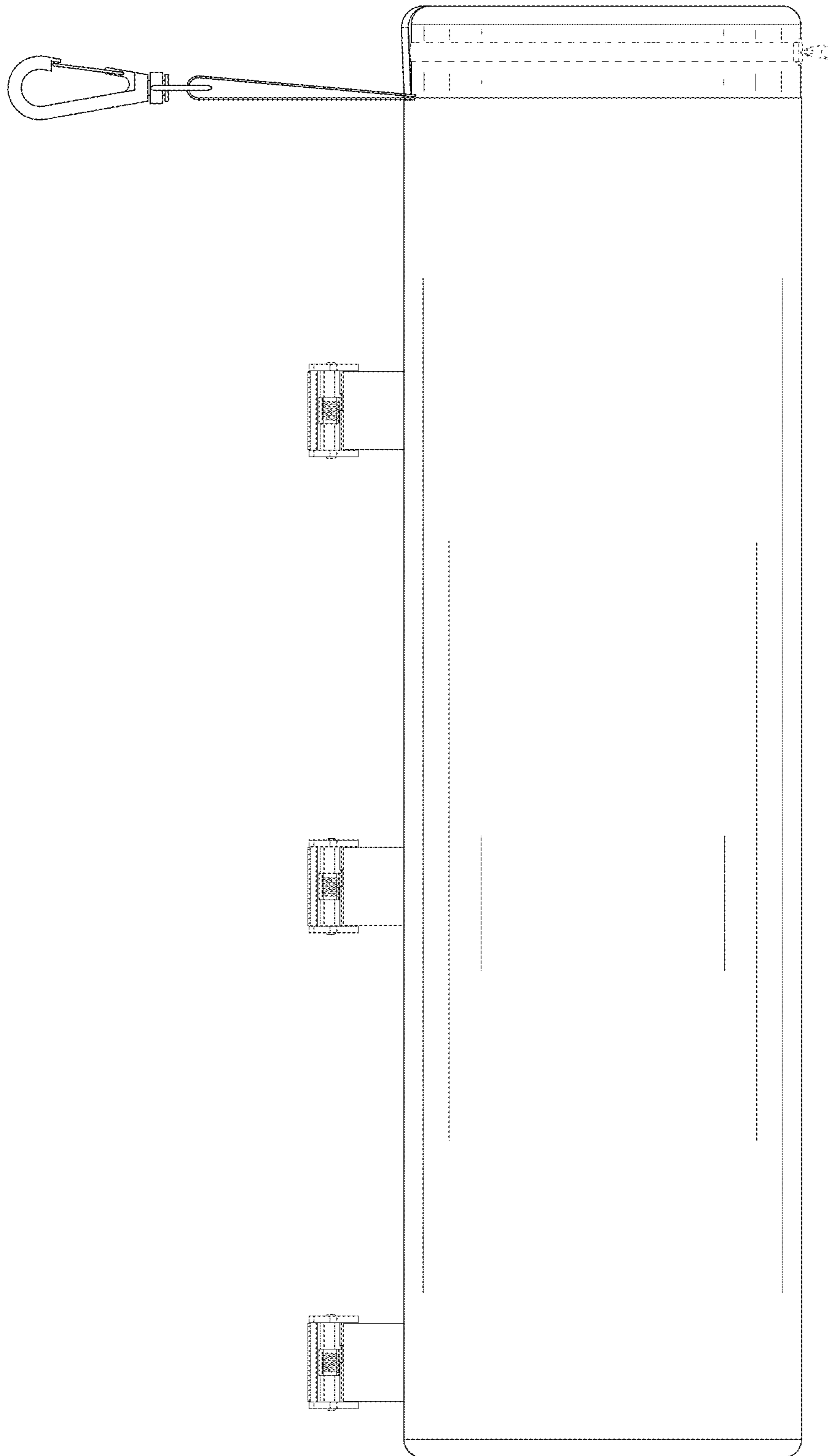


FIG. 5

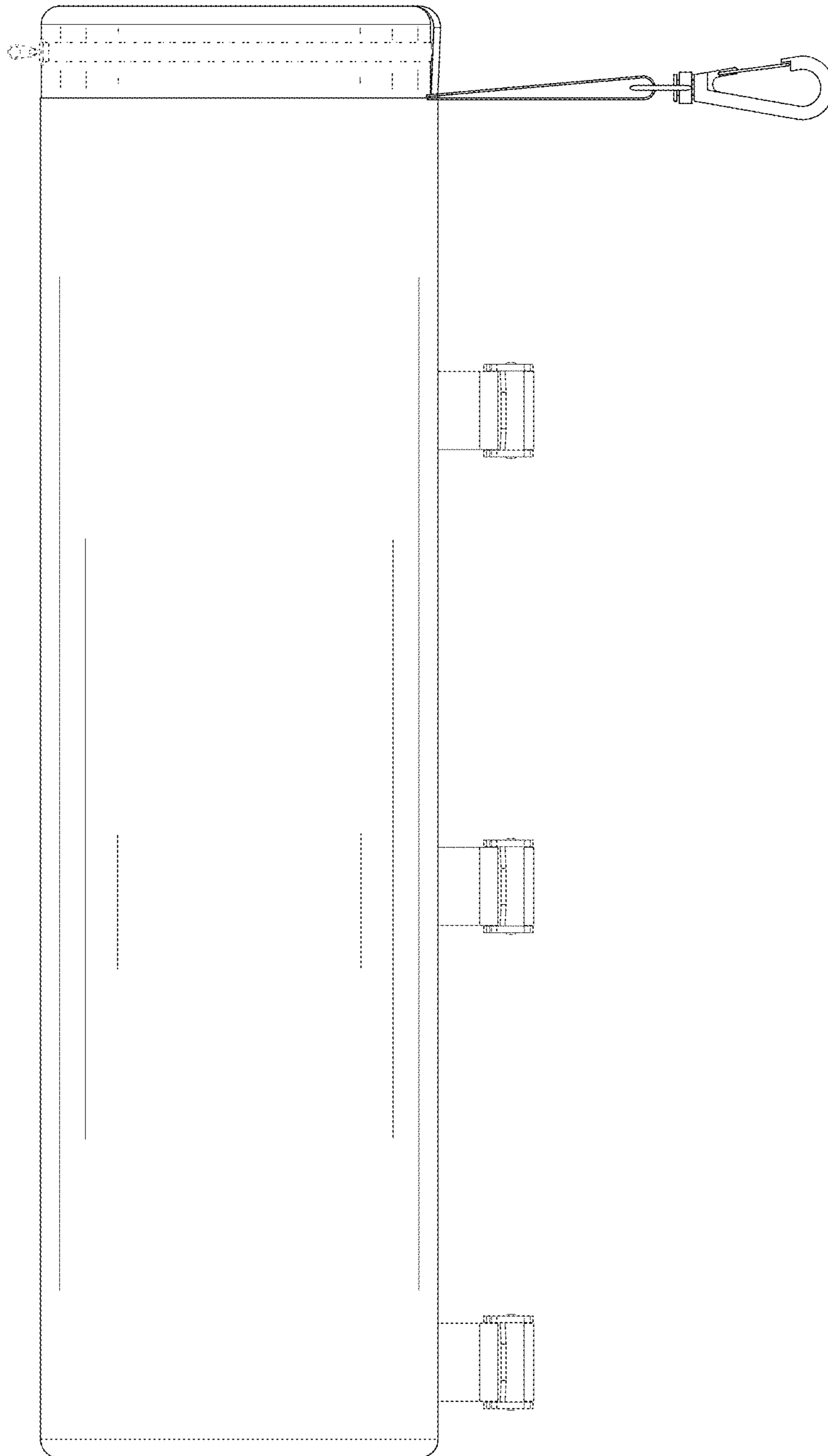


FIG. 6



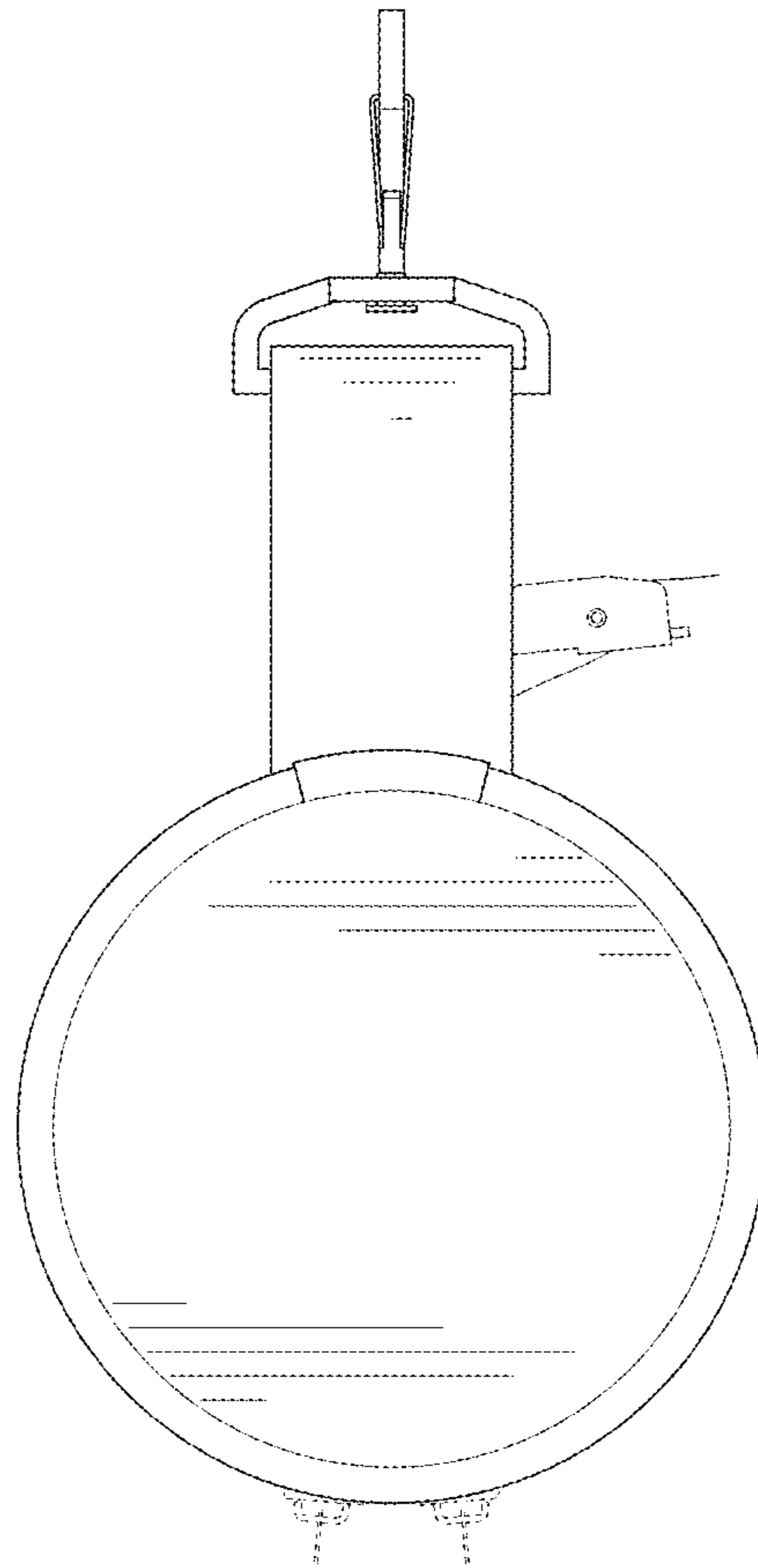


FIG. 7

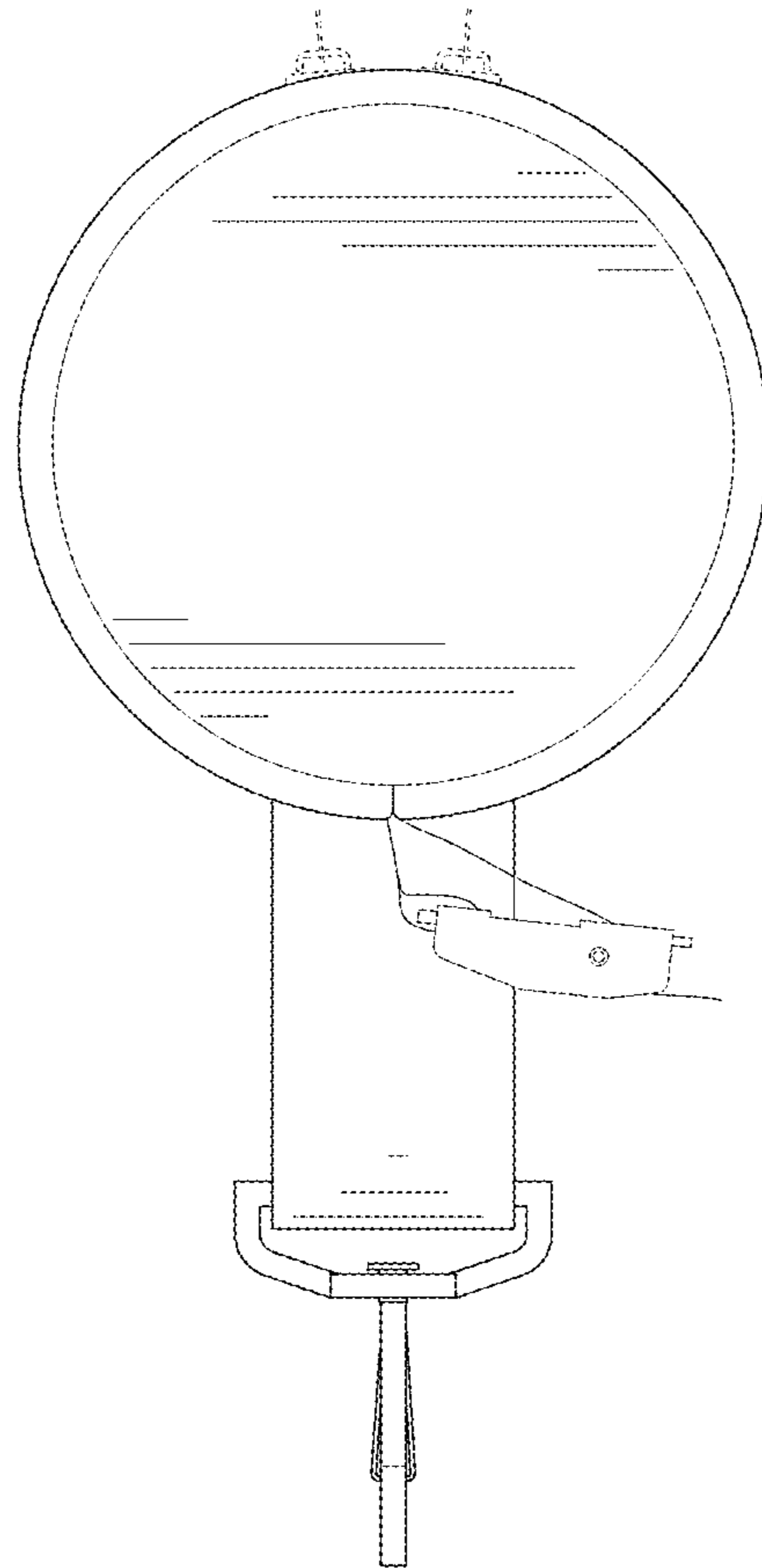


FIG. 8

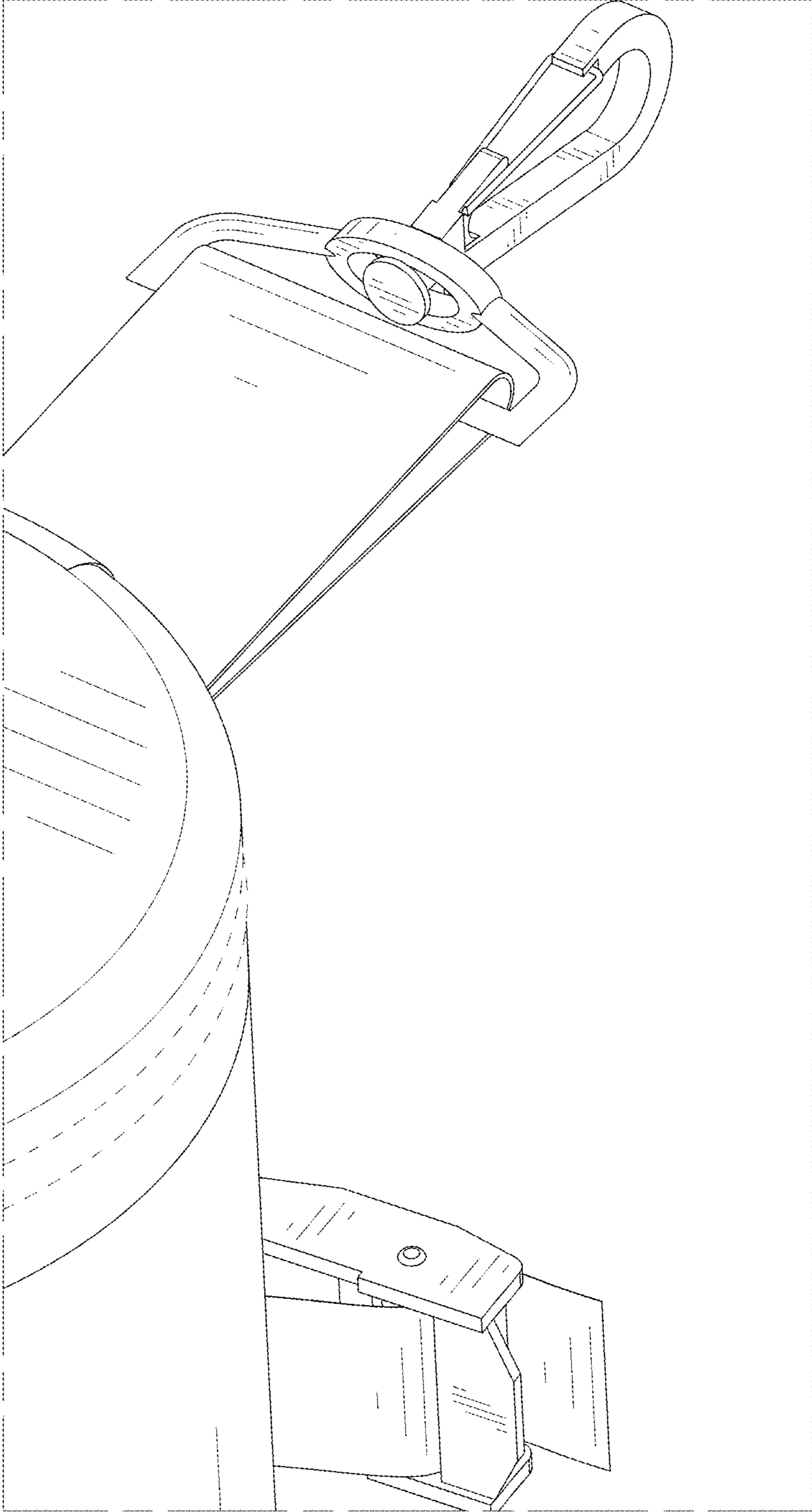


FIG. 9

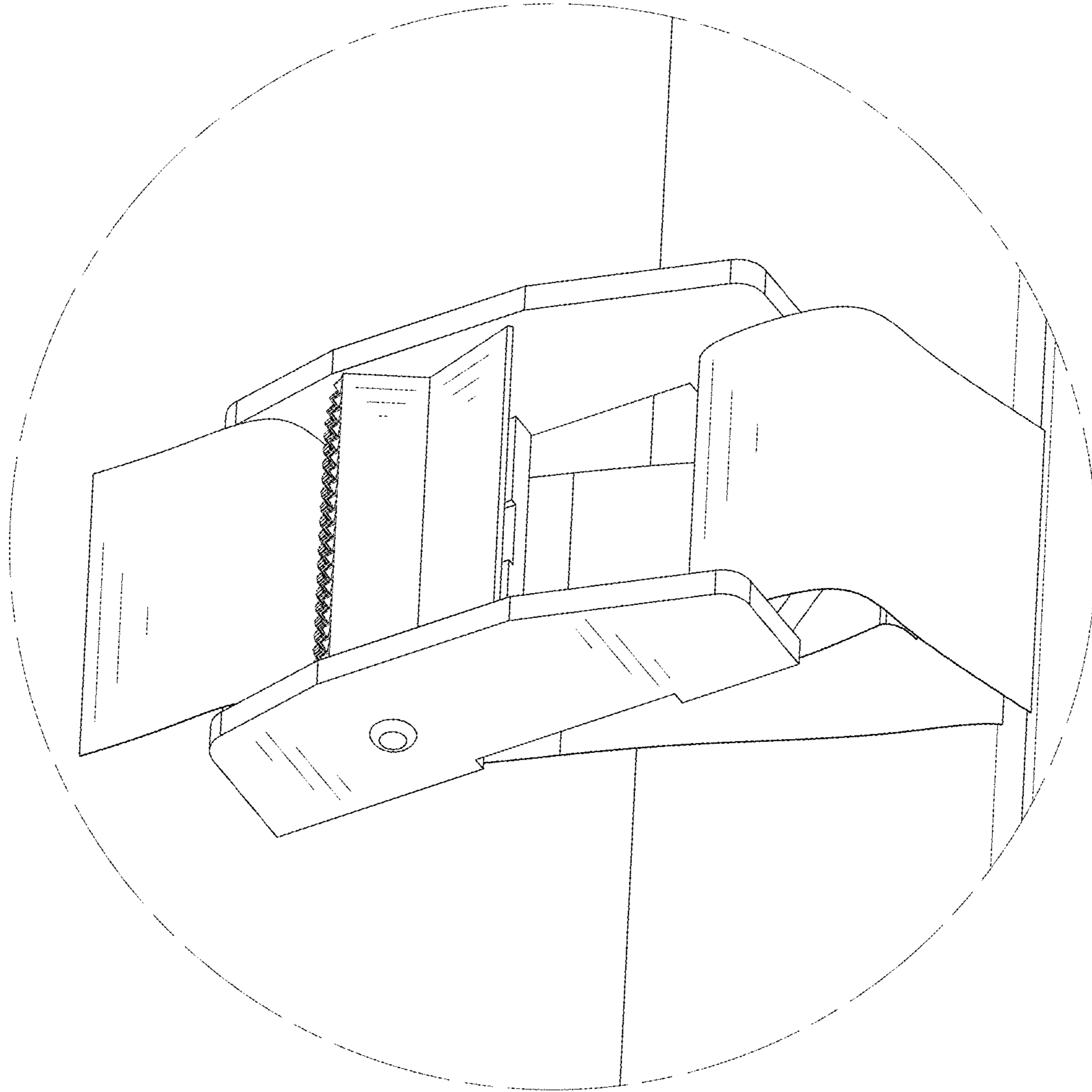


FIG. 10

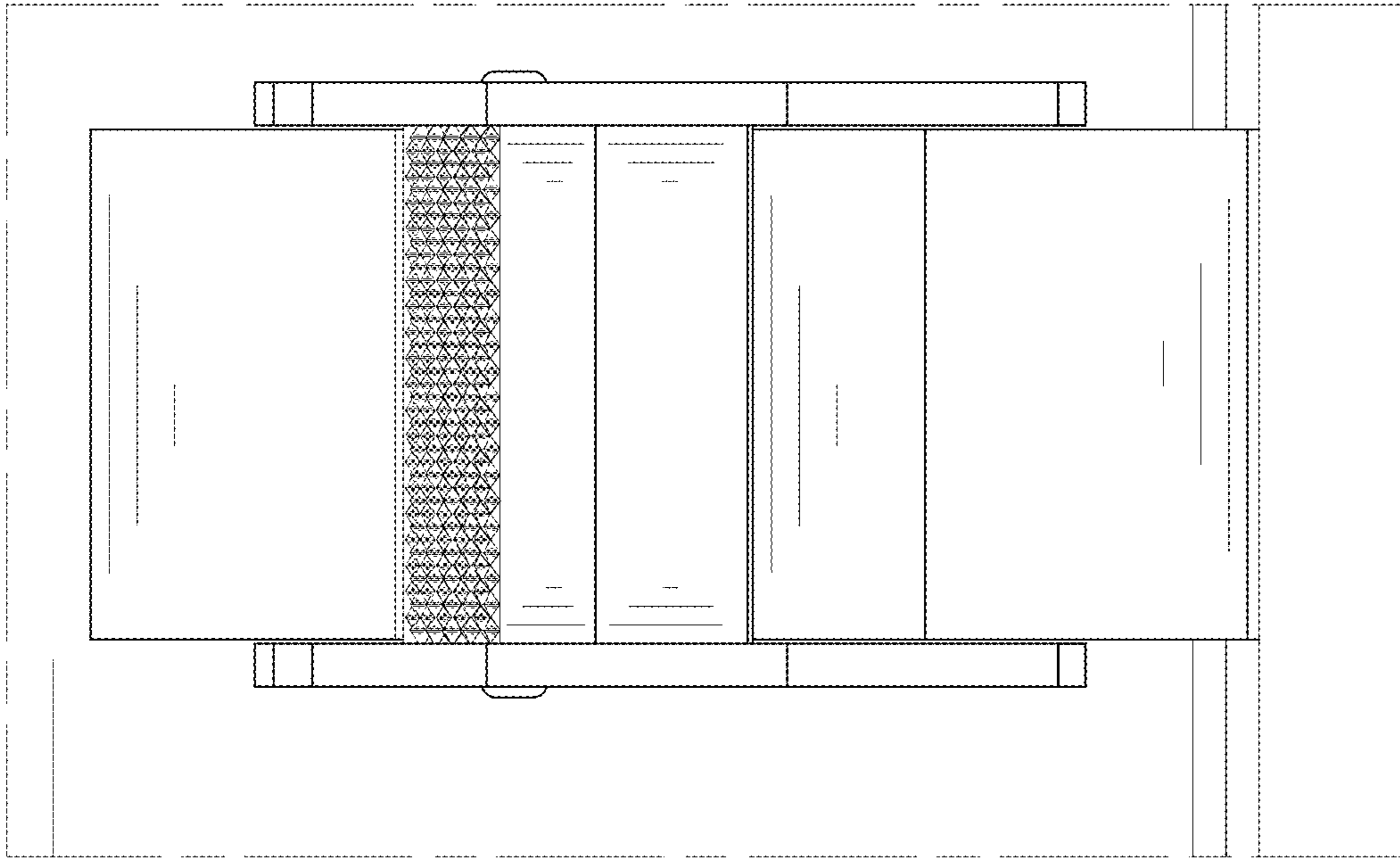


FIG. 11