



US00D985927S

(12) **United States Design Patent**
Lopez

(10) **Patent No.:** **US D985,927 S**

(45) **Date of Patent:** **** May 16, 2023**

(54) **PIN**

(71) Applicant: **Gina Lopez**, Fontana, CA (US)

(72) Inventor: **Gina Lopez**, Fontana, CA (US)

(**) Term: **15 Years**

(21) Appl. No.: **29/776,661**

(22) Filed: **Mar. 31, 2021**

(51) **LOC (14) Cl.** **02-07**

(52) **U.S. Cl.**
USPC **D3/28; D11/200**

(58) **Field of Classification Search**
USPC D3/18-29; D28/10, 7, 65, 67; D15/72, D15/78, 127, 139, 73, 76, 77, 66; D8/80, D8/83, 98, 107, 303, 312, 14, 16, 354, D8/367, 499; D7/213, 649, 669; D19/55, 90, 163; D24/130, 133; D4/122; D21/698, 780; D11/47, 200
CPC D06M 10/04; D05B 91/12; D05B 91/14; D05B 91/16; D05B 87/00; D05B 89/00; D01G 33/00; D05C 1/065; D04D 7/10; B65D 81/24; B65H 67/04; B25H 3/02; B23D 35/001; B07C 7/04; A41H 43/00; A41H 31/005; A47F 1/04; A41G 1/02; A61H 39/00; A61F 2/0811; A61M 37/0076; B62K 21/26; A44C 17/043; A41D 1/00; A63B 71/143; A61B 17/3213; B66F 17/00; A45F 5/08; F16B 15/02; F16B 15/06; D04B 17/04; D04B 3/00; E02D 5/80

See application file for complete search history.

549,486 A * 11/1895 Ballard A45F 5/08 24/6

630,972 A 8/1899 Capewell

1,067,150 A 7/1913 Shellhammer

1,918,936 A * 7/1933 Shearman F16B 15/06 411/456

1,943,936 A 1/1934 Baldwin

2,041,681 A * 5/1936 Shinoda A45F 5/08 411/456

2,206,933 A 7/1940 Anglim

2,378,544 A * 6/1945 Fosse D04B 3/00 24/710.4

2,388,381 A 11/1945 Bergstrom

(Continued)

FOREIGN PATENT DOCUMENTS

CA 2740292 5/2011

CN 301008437 * 9/2009

OTHER PUBLICATIONS

Amazon.com, Site visited Feb. 23, 2022, Ultnice Pearlized Ball Head Pins, First available May 14, 2017, <https://www.amazon.com/dp/B071VQ8RLS> (Year: 2017).*

(Continued)

Primary Examiner — Brett Miller
Assistant Examiner — Jessica M Gebhart

(57) **CLAIM**

The ornamental design for a pin, as shown and described.

DESCRIPTION

FIG. 1 is a front view of a pin showing my new design;
FIG. 2 is a rear view of the pin;
FIG. 3 is a right side view of the pin;
FIG. 4 is a left side view of the pin;
FIG. 5 is a top view of the pin;
FIG. 6 is a bottom view of the pin; and,
FIG. 7 is a top front side perspective view of the pin.

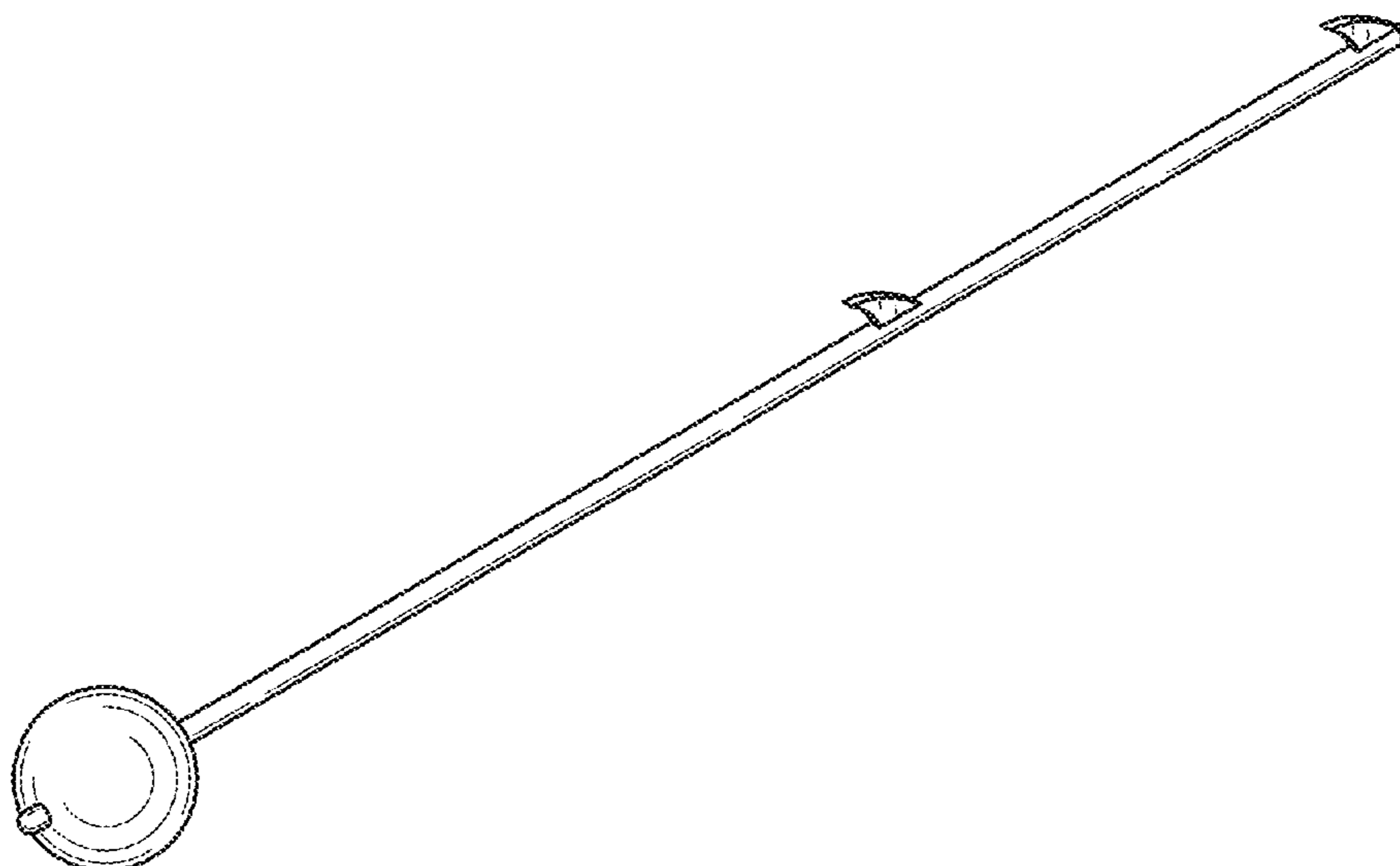
1 Claim, 3 Drawing Sheets

(56) **References Cited**

U.S. PATENT DOCUMENTS

317,650 A * 5/1885 Jones A45F 5/08 24/706.4

398,260 A * 2/1889 Husted F16B 15/06 411/456



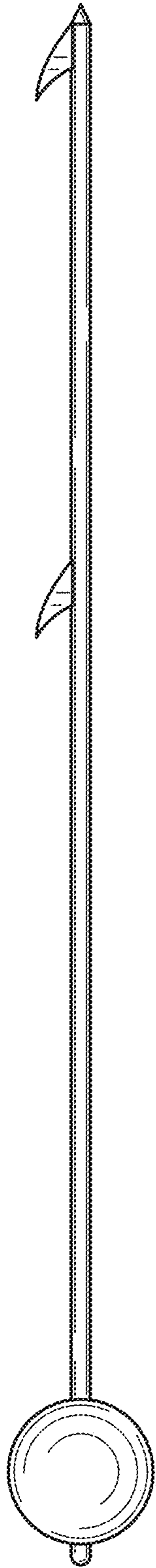


FIG. 1

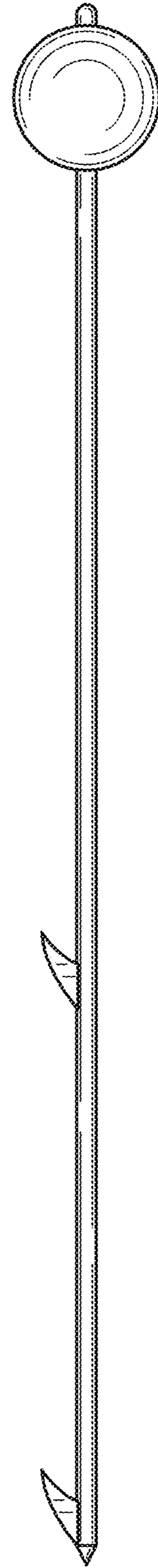


FIG. 2

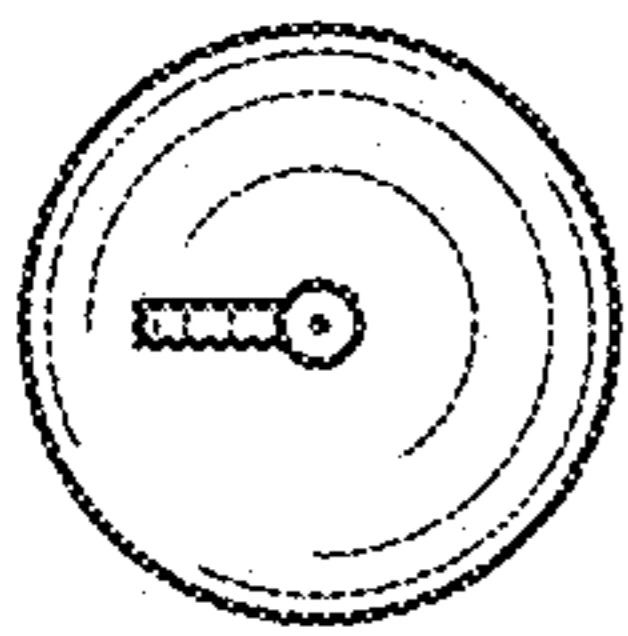


FIG. 3

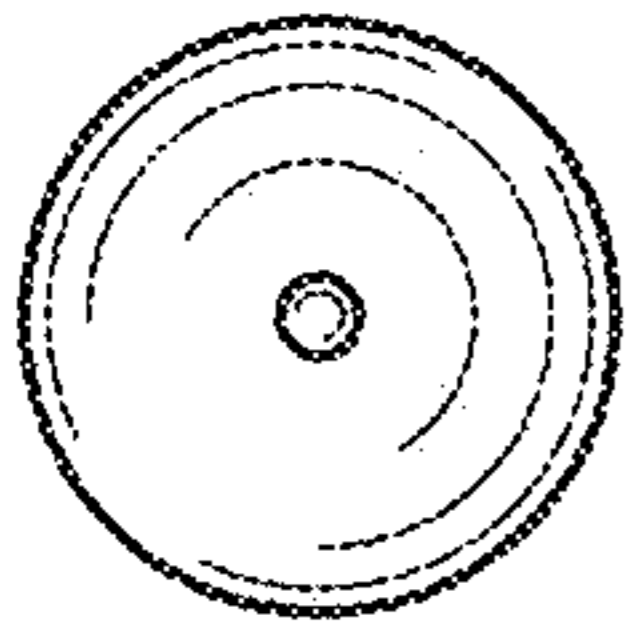


FIG. 4

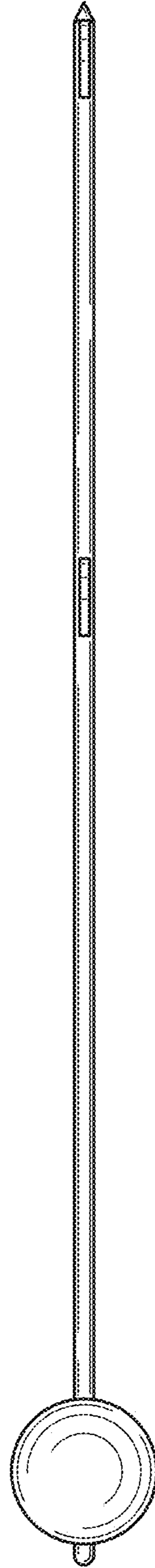


FIG. 5

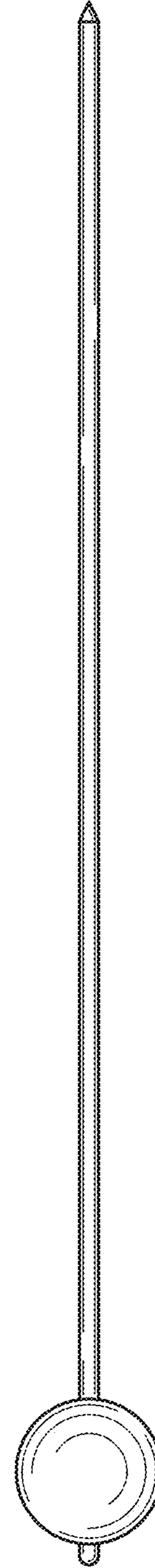


FIG. 6

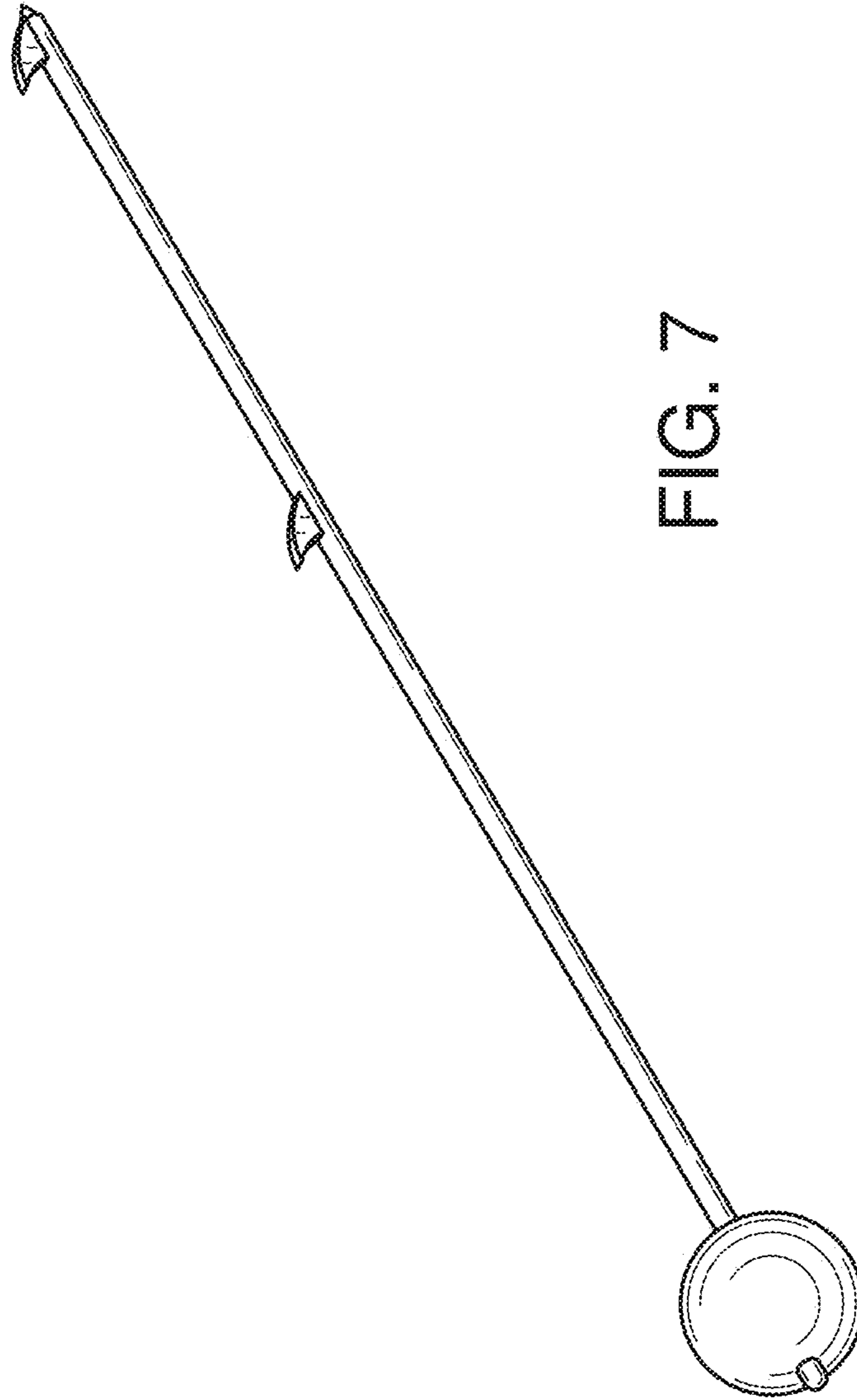


FIG. 7