



US00D985926S

(12) **United States Design Patent** (10) **Patent No.:** **US D985,926 S**
Haythornthwaite (45) **Date of Patent:** **** May 16, 2023**

(54) **UMBRELLA HANDLE**

FOREIGN PATENT DOCUMENTS

(71) Applicant: **Shedrain Corporation**, Portland, OR
(US)

CN 303324168 * 8/2015
CN 305258041 * 7/2019

(72) Inventor: **David Haythornthwaite**, Fujian
Province (CN)

OTHER PUBLICATIONS

(73) Assignee: **SHEDRAIN CORPORATION**,
Portland, OR (US)

Amazon.ca, Site visited Aug. 18, 2022, LifeTek Windproof Travel Umbrella, First available Jan. 3, 2017, <https://www.amazon.ca/LifeTek-Windproof-Automatic-Umbrellas-Resistant/dp/B01NBN38WI> (Year: 2017).
Howardsgolf.com, Site visited Aug. 18, 2022, "The Titleist Tour Double Canopy Umbrella Full Review," published on Aug. 29, 2018 by Chris Howead Features the Titleist Tour Double Canopy Umbrella with rubber handle, <https://howardsgolf.com/the-titleist-tour-double-canopy-umbrella-full-review/> (Year: 2018).*

(**) Term: **15 Years**

(21) Appl. No.: **29/755,863**

(Continued)

(22) Filed: **Oct. 23, 2020**

(51) **LOC (14) Cl.** **03-03**

Primary Examiner — Susan Bennett Hattan

(52) **U.S. Cl.**

Assistant Examiner — Jessica M Gebhart

USPC **D3/12; D8/303**

(74) *Attorney, Agent, or Firm* — Leason Ellis LLP

(58) **Field of Classification Search**

(57) **CLAIM**

USPC D3/5-17; D8/107, 300, 303, 310-313,
D8/61; D7/393; D13/133; D9/723

The ornamental design for an umbrella handle, as shown and described.

CPC A45B 9/02; B25G 1/00; B25G 1/10

DESCRIPTION

See application file for complete search history.

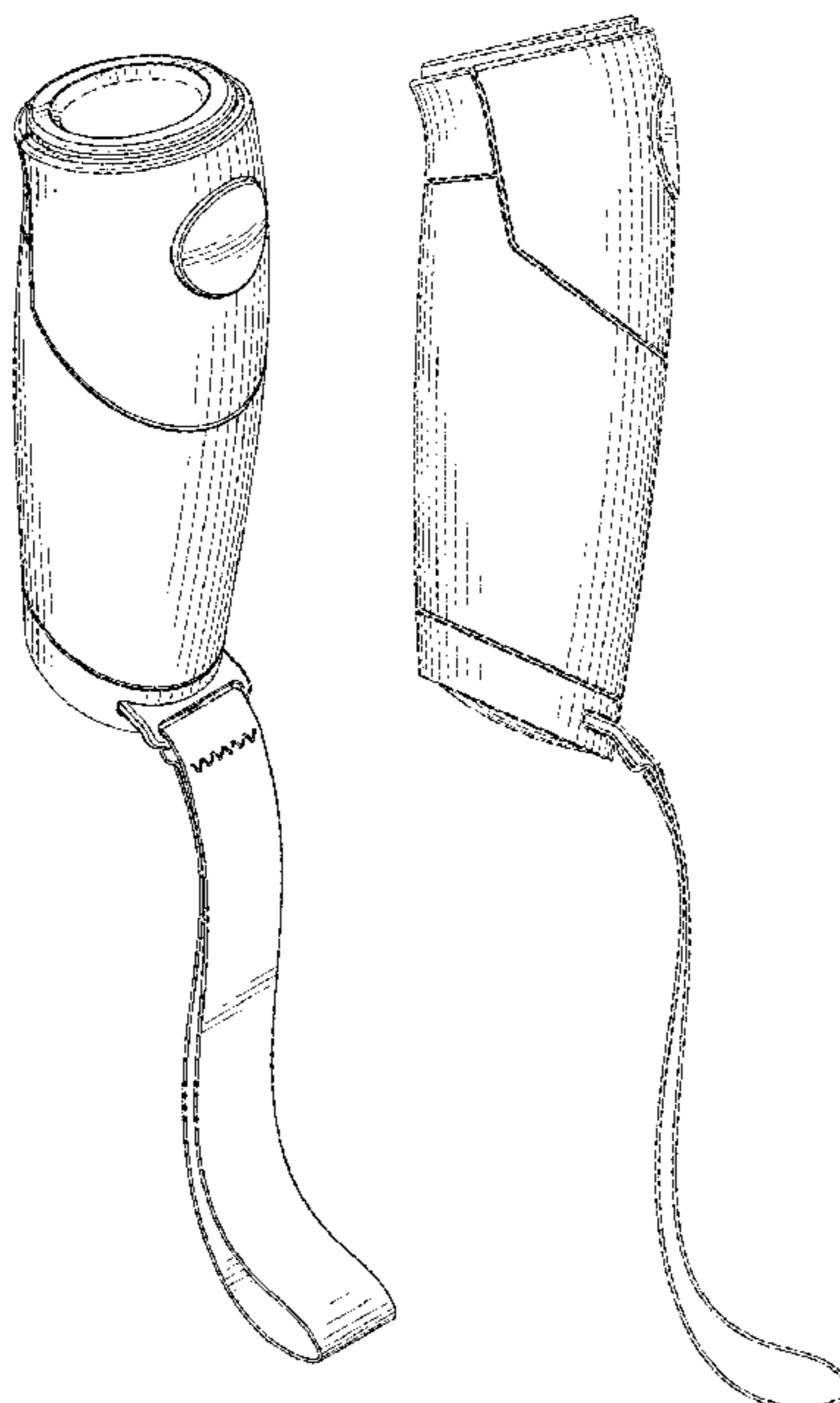
FIG. 1 is a top-side perspective view of my umbrella handle according to my new design;
FIG. 2 is a front perspective view thereof;
FIG. 3 is a rear view thereof;
FIG. 4 is a right side elevation view thereof, the left side being a mirror image;
FIG. 5 is a front view thereof;
FIG. 6 is a bottom perspective view thereof;
FIG. 7 is top plan thereof; and,
FIG. 8 is bottom plan view thereof.
The broken lines depict portions of the umbrella handle that form no part of the claimed design.

(56) **References Cited**

U.S. PATENT DOCUMENTS

- 412,390 A * 10/1889 Jaquith B25G 1/00
81/492
- D488,984 S * 4/2004 Chun-Lee D8/303
- D531,472 S * 11/2006 Schiller D8/61
- D648,933 S * 11/2011 Roher D3/12
- D808,821 S * 1/2018 Moreau D9/723
- D828,009 S * 9/2018 Ye D3/12
- D917,396 S * 4/2021 Assmann D13/133
- 2013/0048039 A1 * 2/2013 Heim A45B 9/02
135/65

1 Claim, 7 Drawing Sheets



(56)

References Cited

OTHER PUBLICATIONS

Amazon.com, Site visited Aug. 18, 2022, Balios Travel Umbrella, First available Dec. 12, 2018, <https://www.amazon.com/Balios-Designed-Luxurious-Windproof-Automatic/dp/B07LB65W9P> (Year: 2018).*

Nymag.com, Site visited Aug. 18, 2022, “The 34 Best Umbrellas, as Tested by Strategist Editors . . . ” published on Mar. 29, 2019 features the LifeTek New Yorker Umbrella (#2 on list), <https://nymag.com/strategist/article/best-umbrellas-compact-stick-golf.html> (Year: 2019).*

* cited by examiner

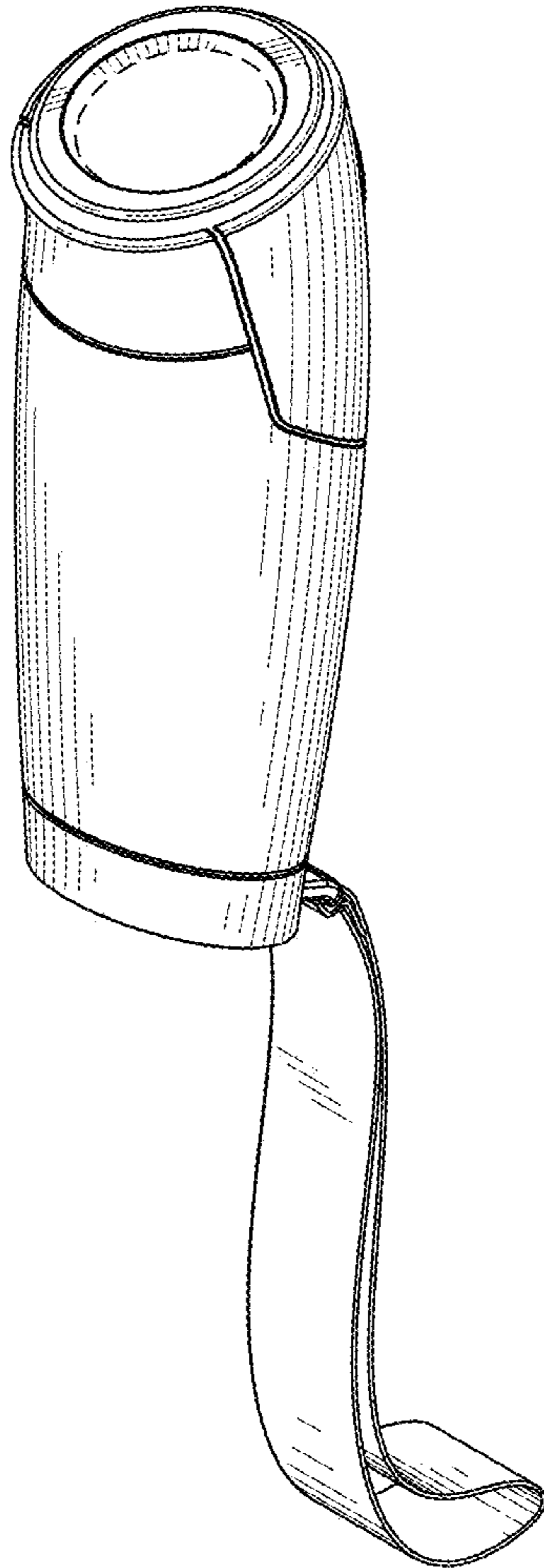


Fig. 1

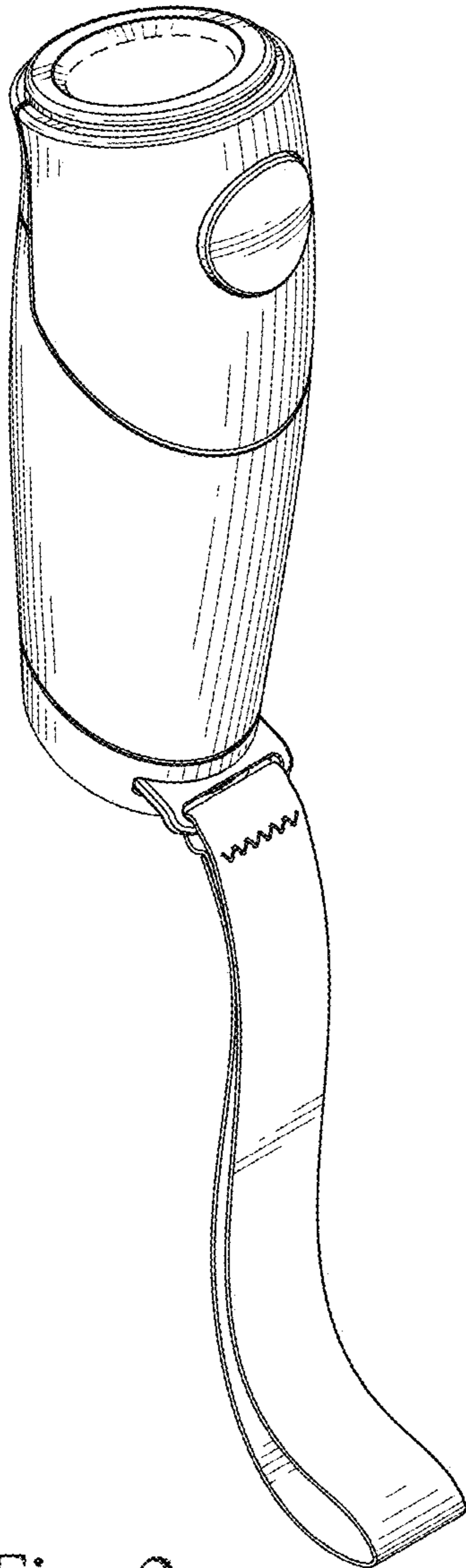


Fig. 2

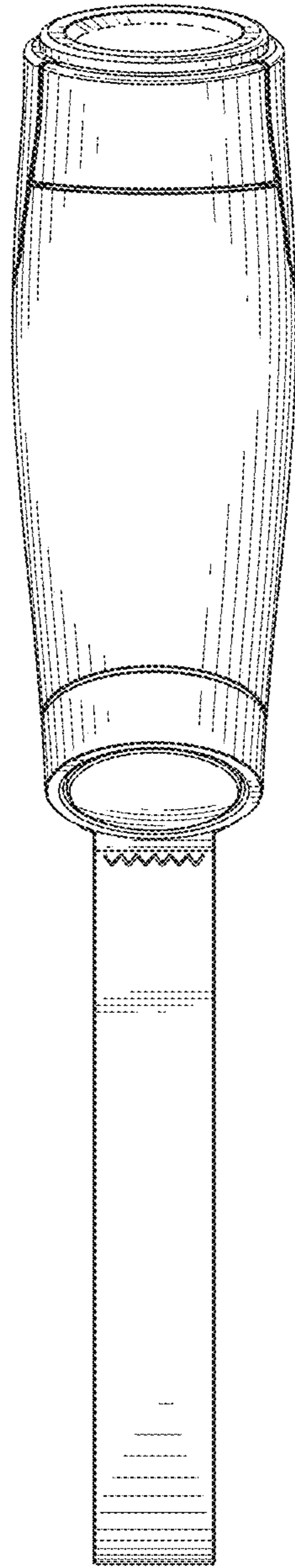


Fig. 3

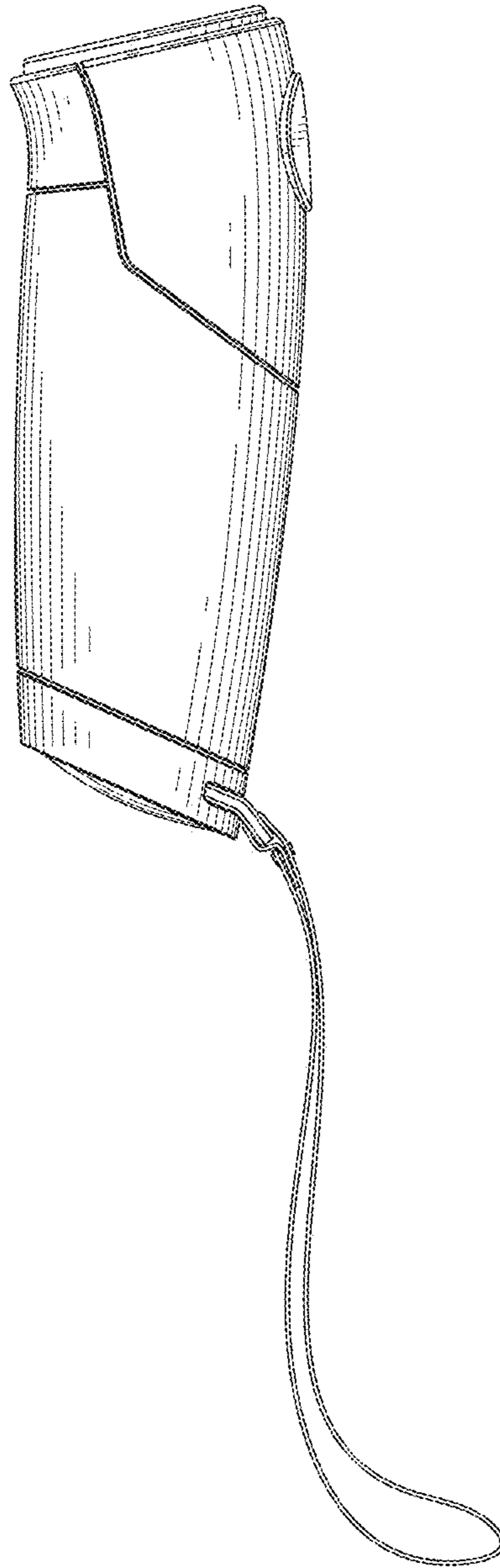


Fig. 4

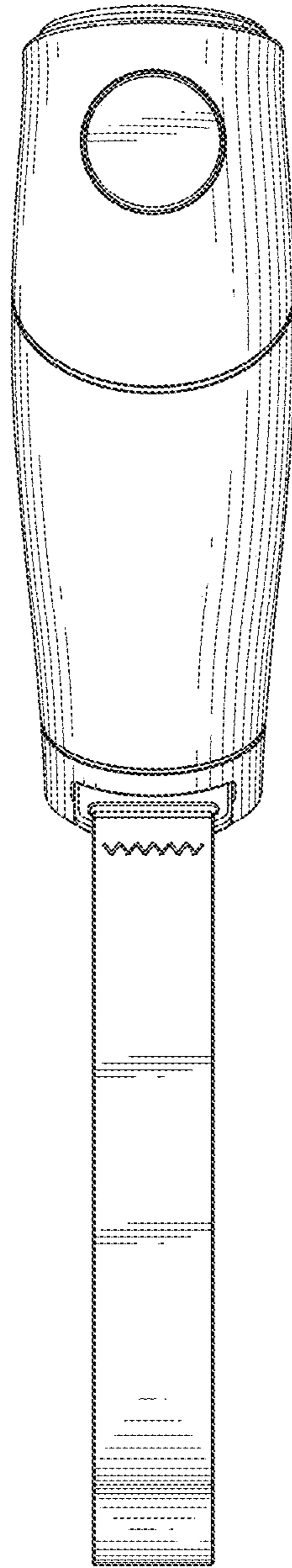


Fig. 5

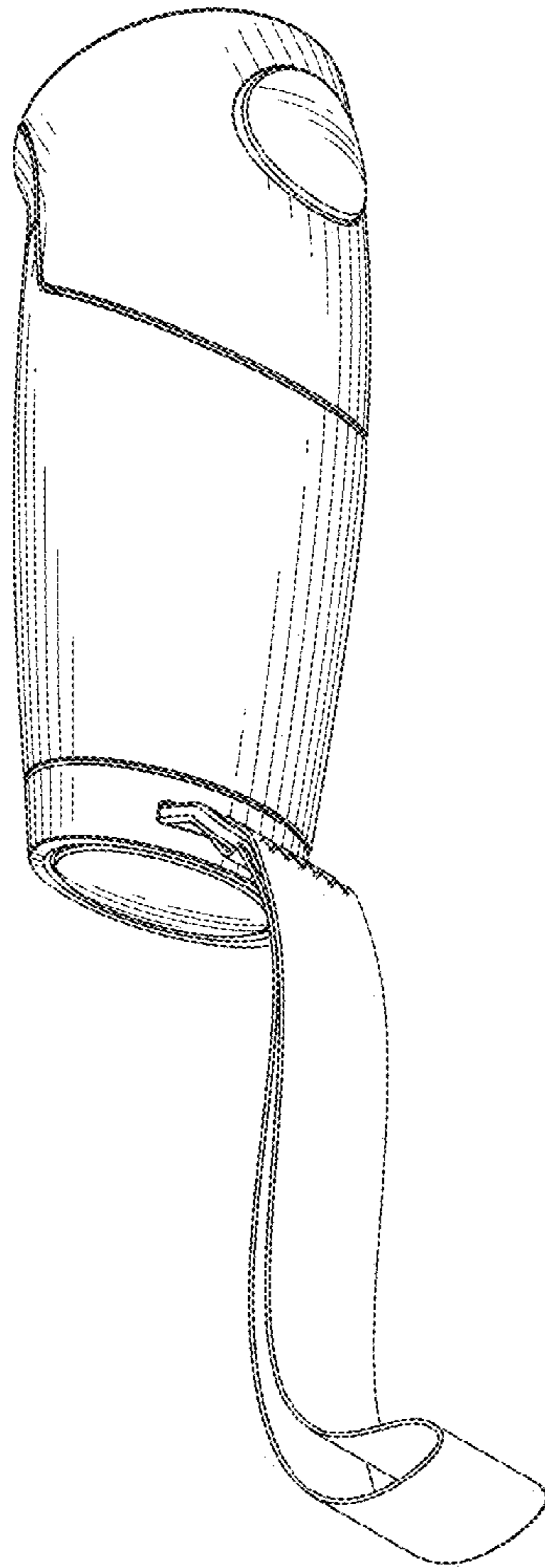


Fig. 6

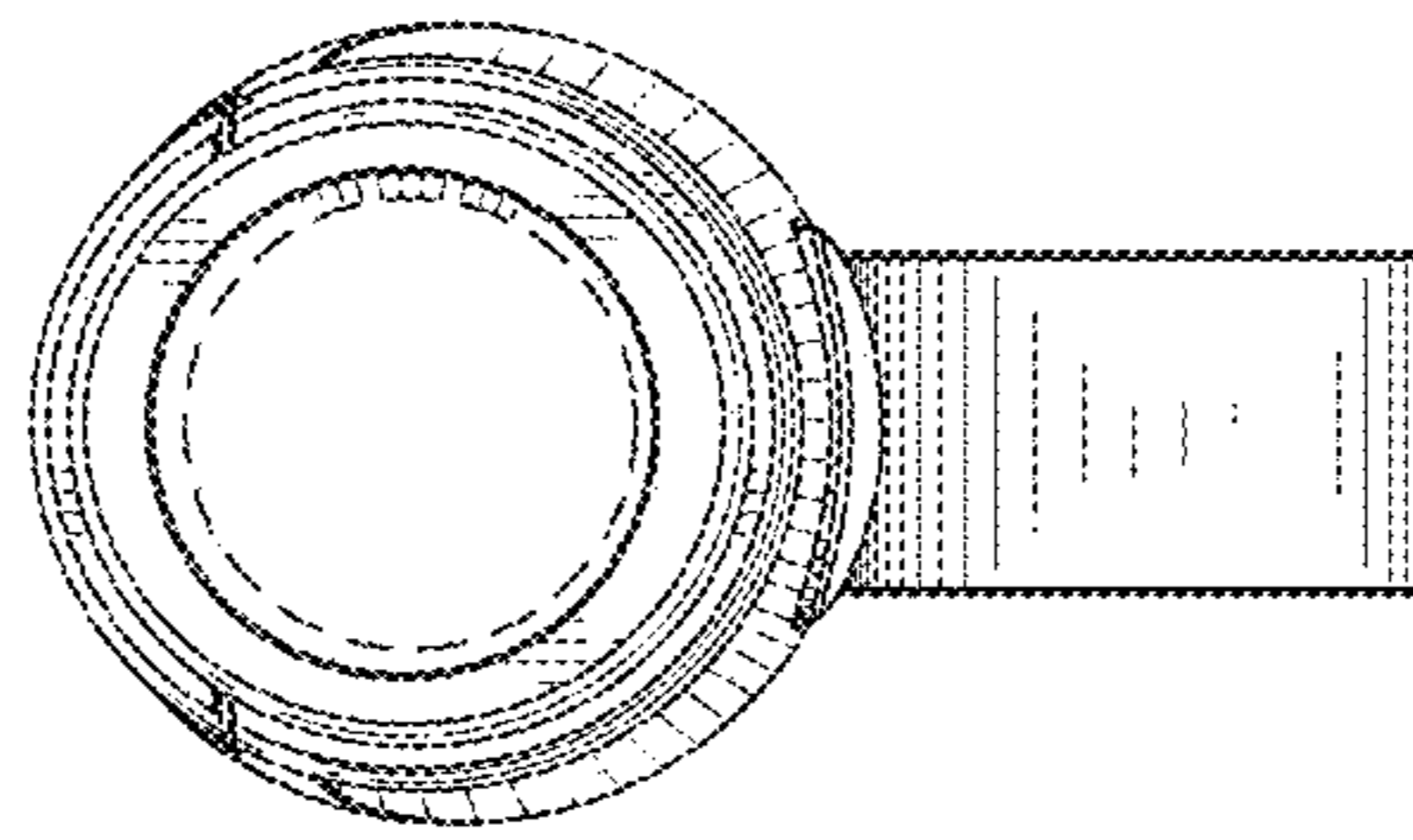


Fig. 7

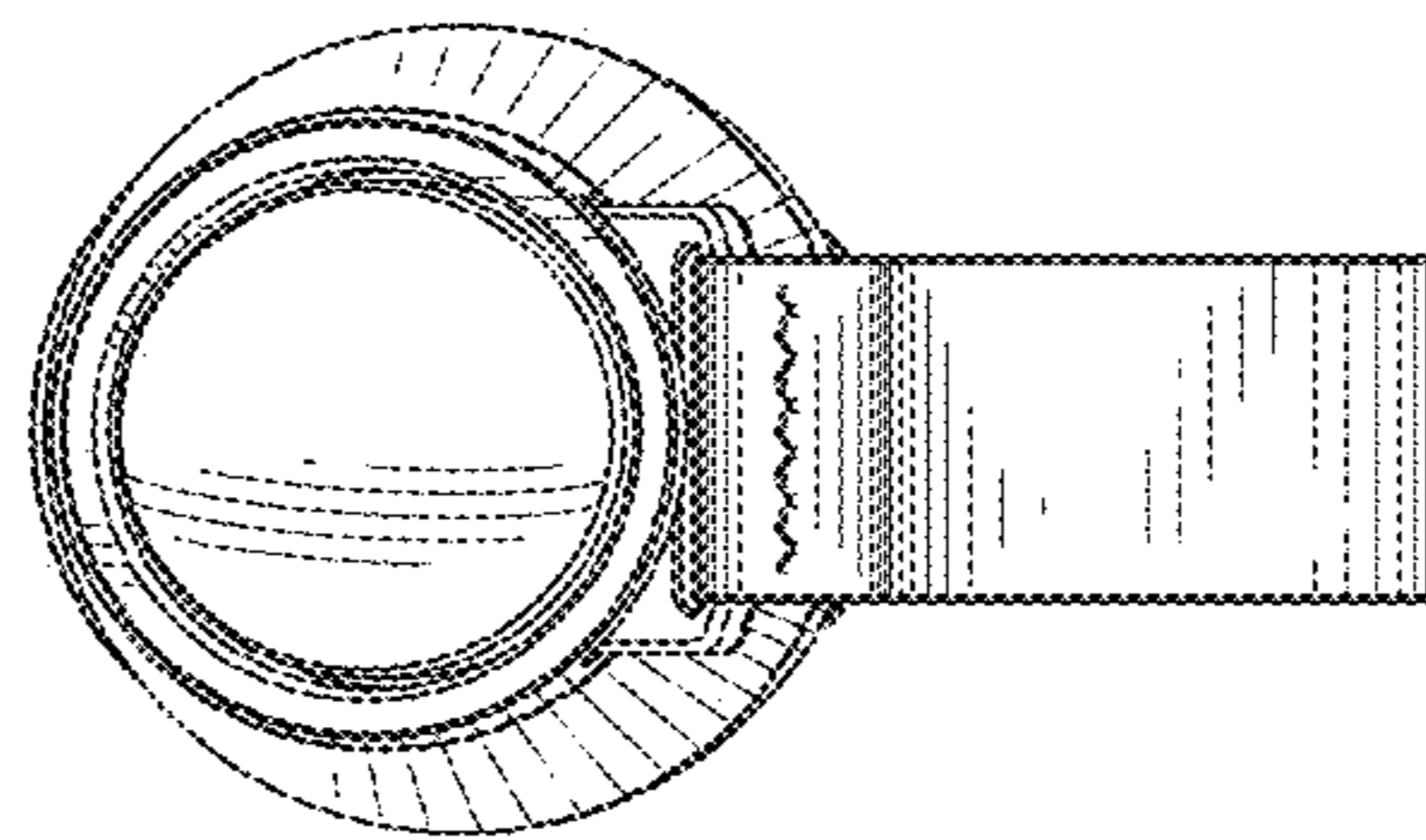


Fig. 8