



US00D985925S

(12) **United States Design Patent** (10) **Patent No.:** **US D985,925 S**
Haythornthwaite (45) **Date of Patent:** **** May 16, 2023**

(54) **UMBRELLA HANDLE**

(71) Applicant: **Shedrain Corporation**, Portland, OR (US)

(72) Inventor: **David Haythornthwaite**, Fujian Province (CN)

(73) Assignee: **SHEDRAIN CORPORATION**, Portland, OR (US)

(**) Term: **15 Years**

(21) Appl. No.: **29/755,860**

(22) Filed: **Oct. 23, 2020**

(51) **LOC (14) Cl.** **03-03**

(52) **U.S. Cl.**
USPC **D3/12; D8/303**

(58) **Field of Classification Search**
USPC D3/5-17; D8/107, 300, 303, 310-313, D8/61, 80; D7/393; D13/133; D9/723
CPC A45B 9/02; B25G 1/00; B25G 1/10
See application file for complete search history.

(56) **References Cited**

U.S. PATENT DOCUMENTS

D448,265 S *	9/2001	Chen	D8/80
D488,984 S *	4/2004	Chun-Lee	D8/303
D524,617 S *	7/2006	Schiller	D8/61
D531,875 S *	11/2006	Chen	D8/80
D532,277 S *	11/2006	Shih	D8/107
D569,810 S *	5/2008	Victor	D13/133
D648,933 S *	11/2011	Roher	D3/12
D808,821 S *	1/2018	Moreau	D9/723
D917,396 S *	4/2021	Assmann	D13/133

FOREIGN PATENT DOCUMENTS

CN 306022520 * 9/2020

OTHER PUBLICATIONS

Amazon.ca, Site visited Aug. 18, 2022, LifeTek Windproof Travel Umbrella, First available Jan. 3, 2017, <https://www.amazon.ca/LifeTek-Windproof-Automatic-Umbrellas-Resistant/dp/B01NBN38WI> (Year: 2017).*

Howardsgolf.com, Site visited Aug. 18, 2022, "The Titleist Tour Double Canopy Umbrella Full Review," published on Aug. 29, 2018 by Chris Howead Features the Titleist Tour Double Canopy Umbrella with rubber handle, <https://howardsgolf.com/the-titleist-tour-double-canopy-umbrella-full-review/> (Year: 2018).*

Nymag.com, Site visited Aug. 18, 2022, "The 34 Best Umbrellas, as Tested by Strategist Editors . . ." published on Mar. 29, 2019 features the LifeTek New Yorker Umbrella (#2 on list), <https://nymag.com/strategist/article/best-umbrellas-compact-stick-golf.html> (Year: 2019).*

* cited by examiner

Primary Examiner — Susan Bennett Hattan

Assistant Examiner — Jessica M Gebhart

(74) *Attorney, Agent, or Firm* — Leason Ellis LLP

(57) **CLAIM**

The ornamental design for an umbrella handle, as shown and described.

DESCRIPTION

FIG. 1 is a top-side perspective view of my umbrella handle according to my new design;

FIG. 2 is a front perspective view thereof;

FIG. 3 is a rear view thereof;

FIG. 4 is a right side elevation view thereof, the left side being a mirror image;

FIG. 5 is a front view thereof;

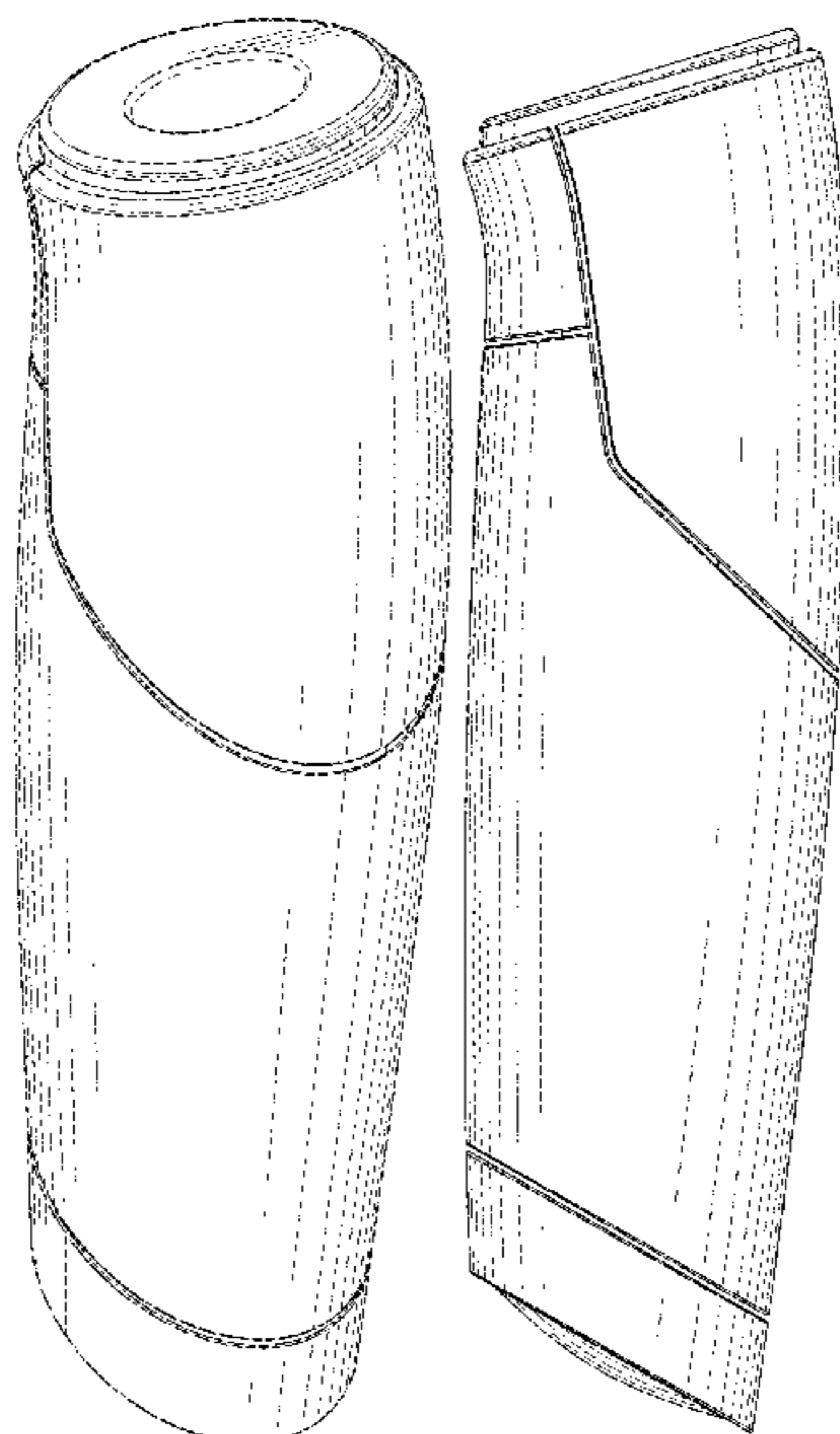
FIG. 6 is a bottom perspective view thereof;

FIG. 7 is top plan thereof; and,

FIG. 8 is bottom plan view thereof.

The broken lines depict portions of the umbrella handle that form no part of the claimed design.

1 Claim, 7 Drawing Sheets



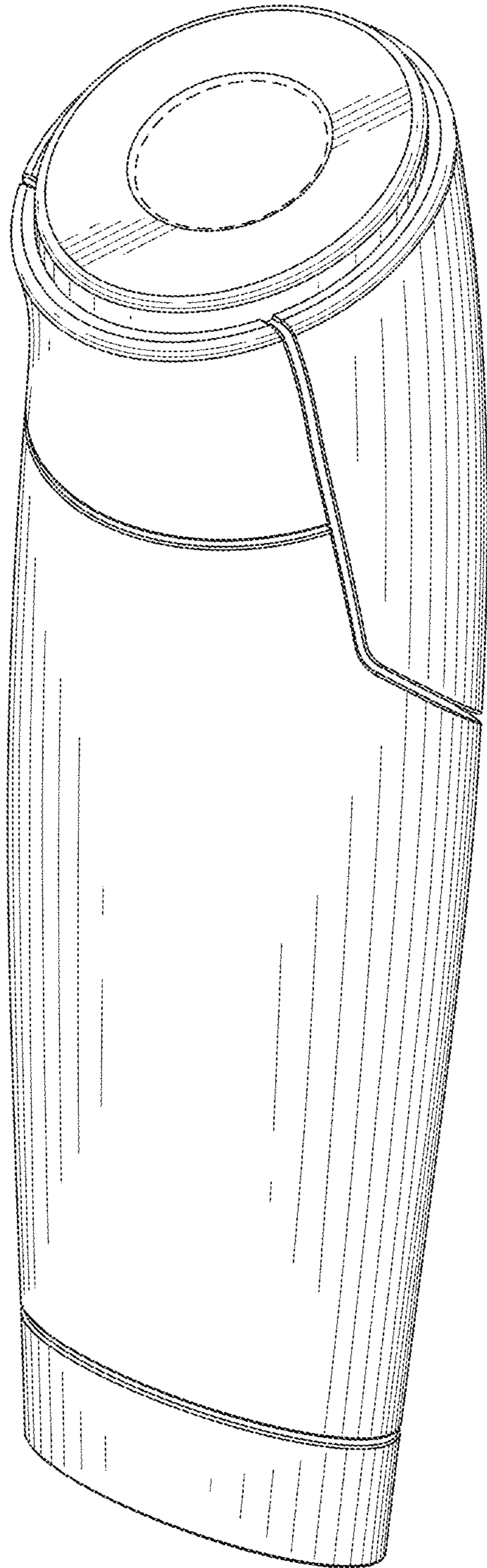


Fig. 1

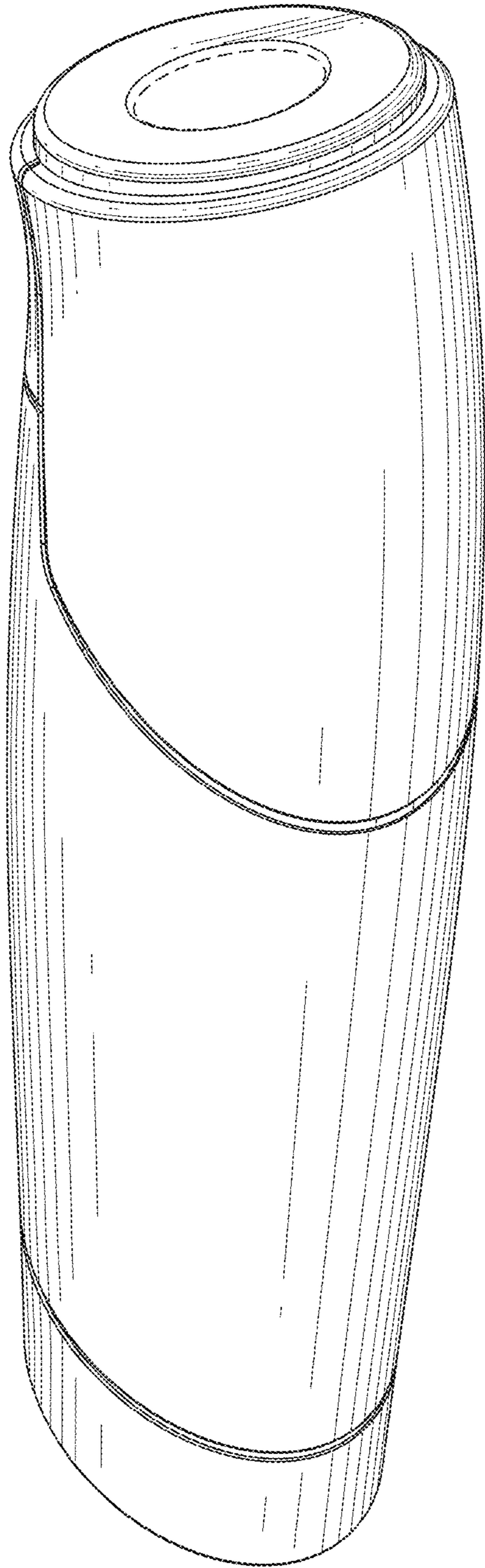


Fig. 2

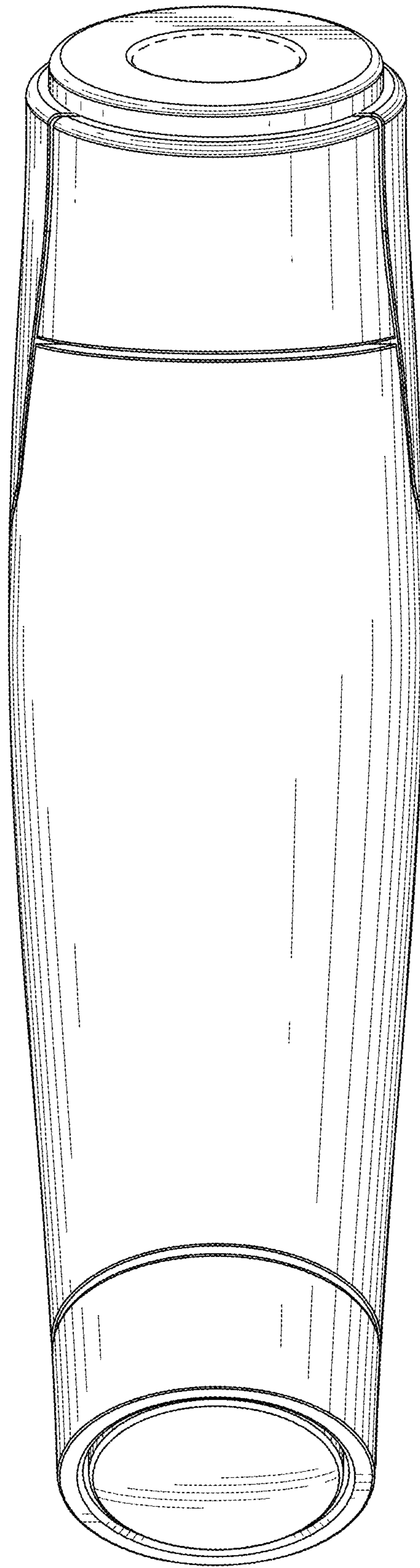


Fig. 3

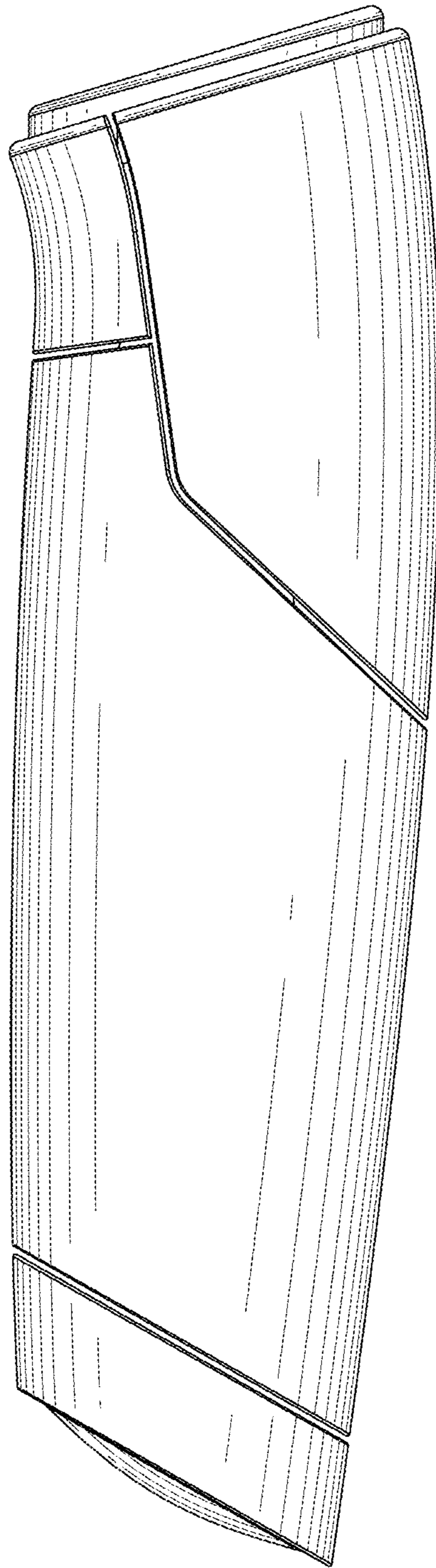


Fig. 4

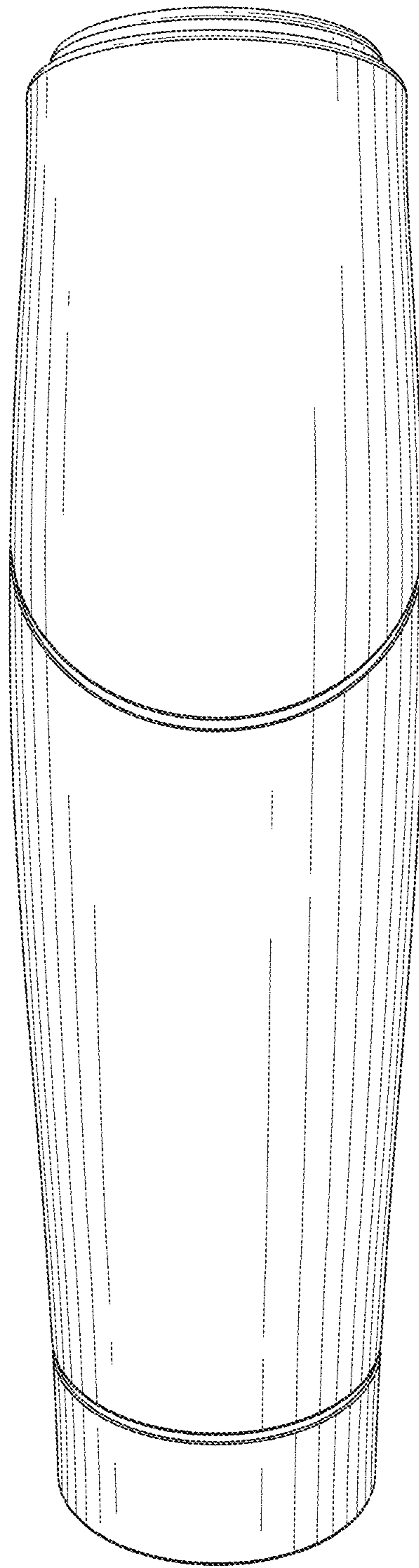


Fig. 5

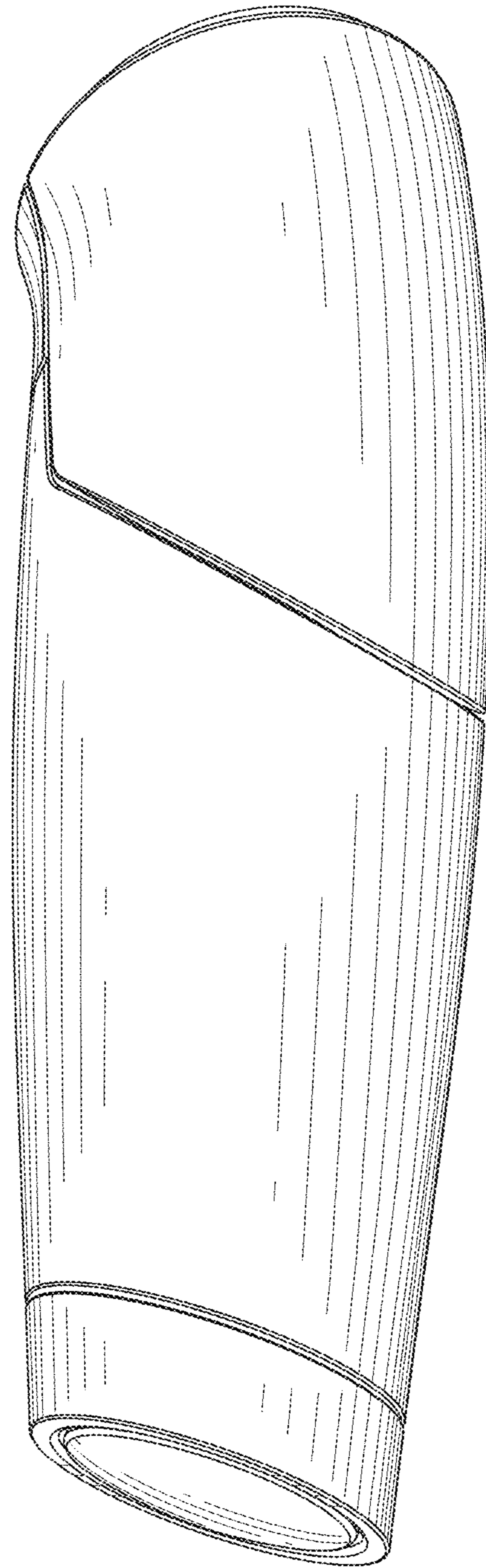


Fig. 6

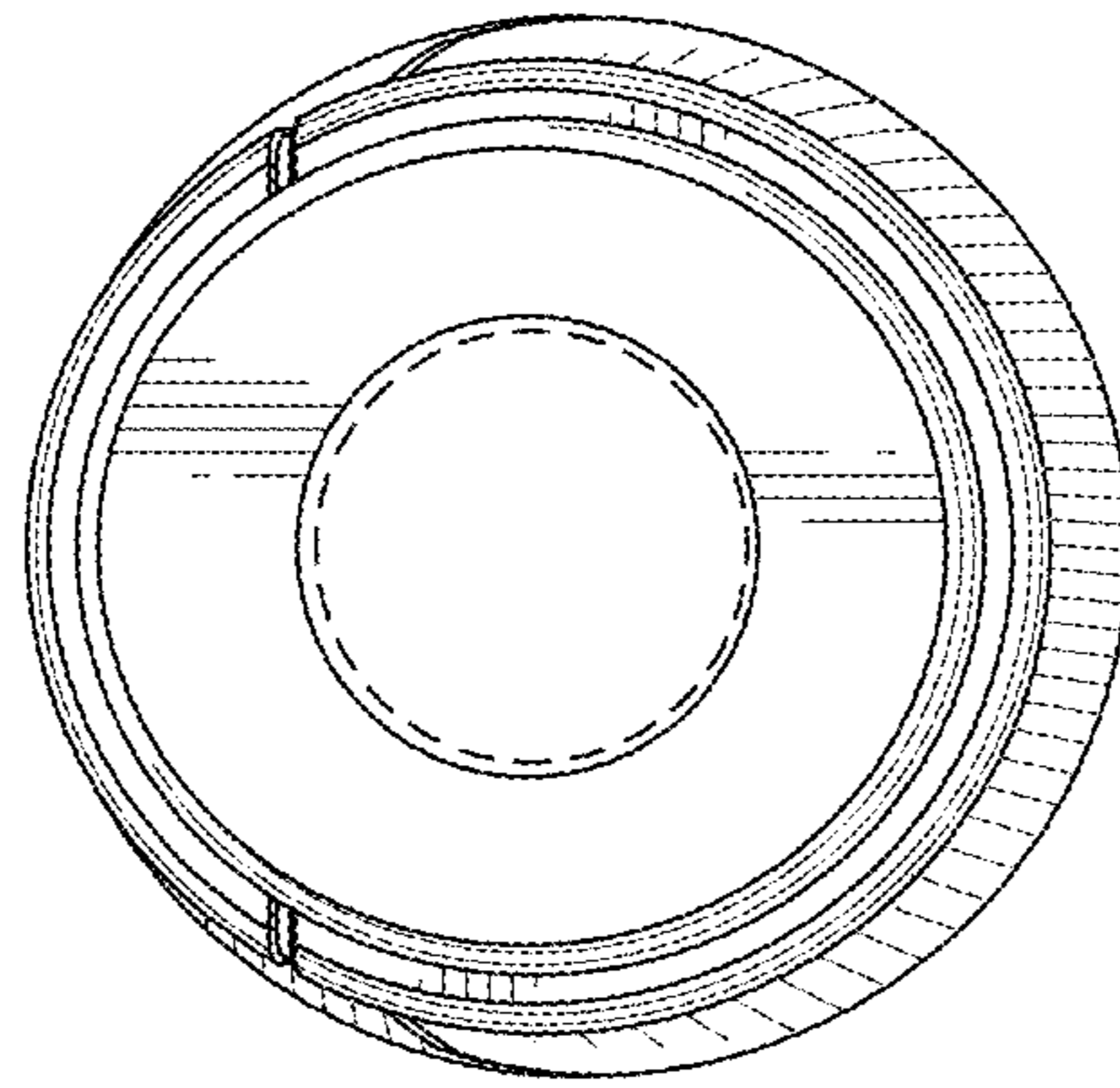


Fig. 7

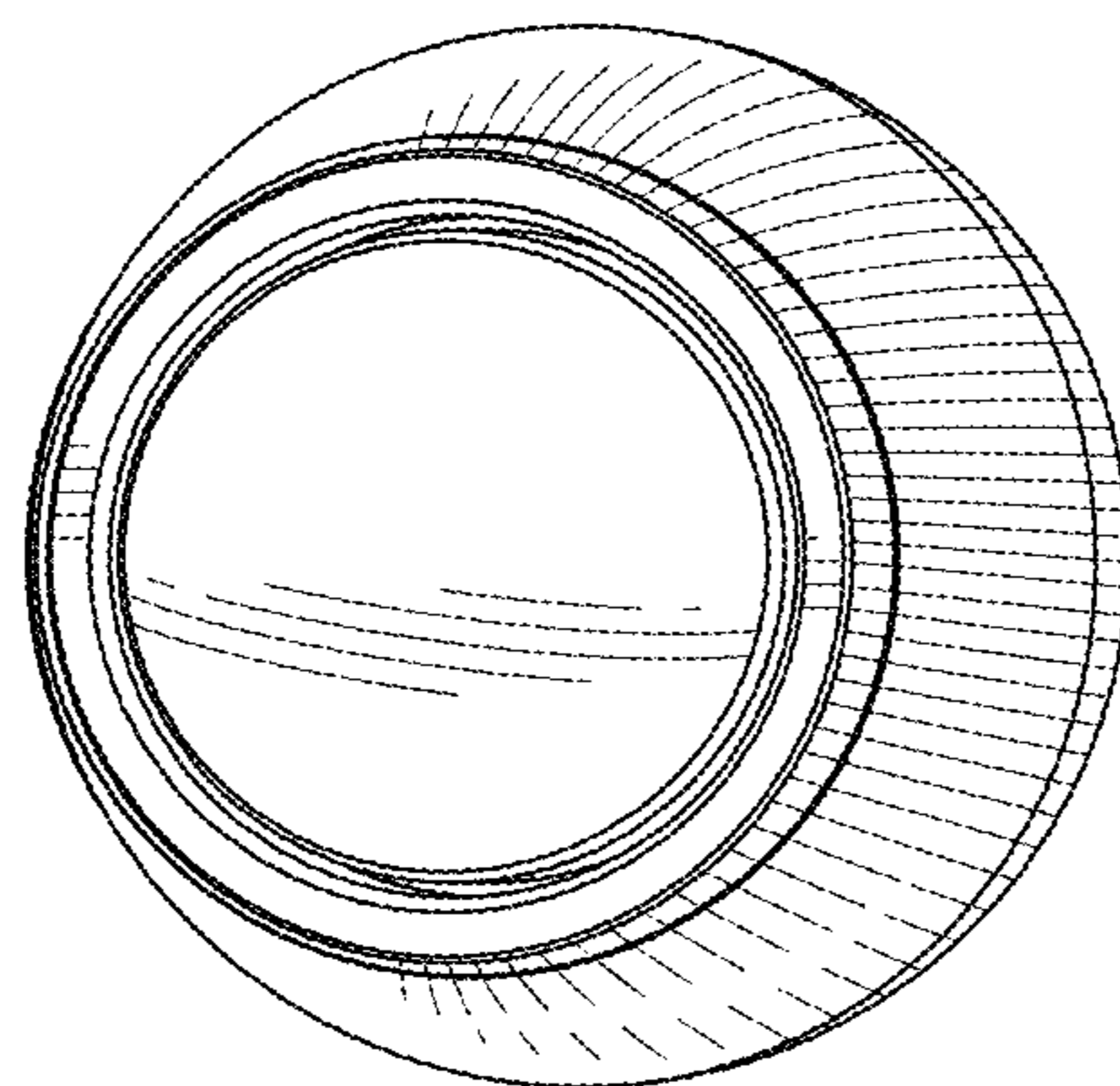


Fig. 8