



US00D985914S

(12) **United States Design Patent**  
**Chen**

(10) **Patent No.:** **US D985,914 S**

(45) **Date of Patent:** **\*\* May 16, 2023**

(54) **SANDAL**

(71) Applicant: **Weijie Chen**, Quanzhou (CN)

(72) Inventor: **Weijie Chen**, Quanzhou (CN)

(\*\*) Term: **15 Years**

(21) Appl. No.: **29/798,049**

(22) Filed: **Jul. 6, 2021**

(51) **LOC (14) Cl.** ..... **02-04**

(52) **U.S. Cl.**  
USPC ..... **D2/916**; D2/951; D2/954

(58) **Field of Classification Search**  
USPC ..... D2/896, 902–908, 916–918, 923, 944,  
D2/946, 951–954, 969, 972–974  
CPC ..... A43B 5/001–025; A43B 5/06; A43B 5/04  
See application file for complete search history.

(56) **References Cited**

**U.S. PATENT DOCUMENTS**

D147,311 S *	8/1947	Veach	.....	D2/900
D166,785 S *	5/1952	Wiseman	.....	D2/900
D200,697 S *	3/1965	Joiner	.....	D2/917
D804,785 S *	12/2017	Ringholz	.....	D2/916
D829,418 S *	10/2018	Lee	.....	A43B 3/248
				D2/900
D926,455 S *	8/2021	Driscoll	.....	D2/969
D935,756 S *	11/2021	Sartori	.....	D2/947
D943,913 S *	2/2022	Kroshinskaya	.....	D2/969

D953,707 S *	6/2022	Lin	.....	D2/900
D955,091 S *	6/2022	Kroshinskaya	.....	A43B 3/248
				D2/903
D957,797 S *	7/2022	Lin	.....	D2/954
D959,105 S *	8/2022	Matsuo	.....	D2/916

\* cited by examiner

*Primary Examiner* — Rashida C. Walshon

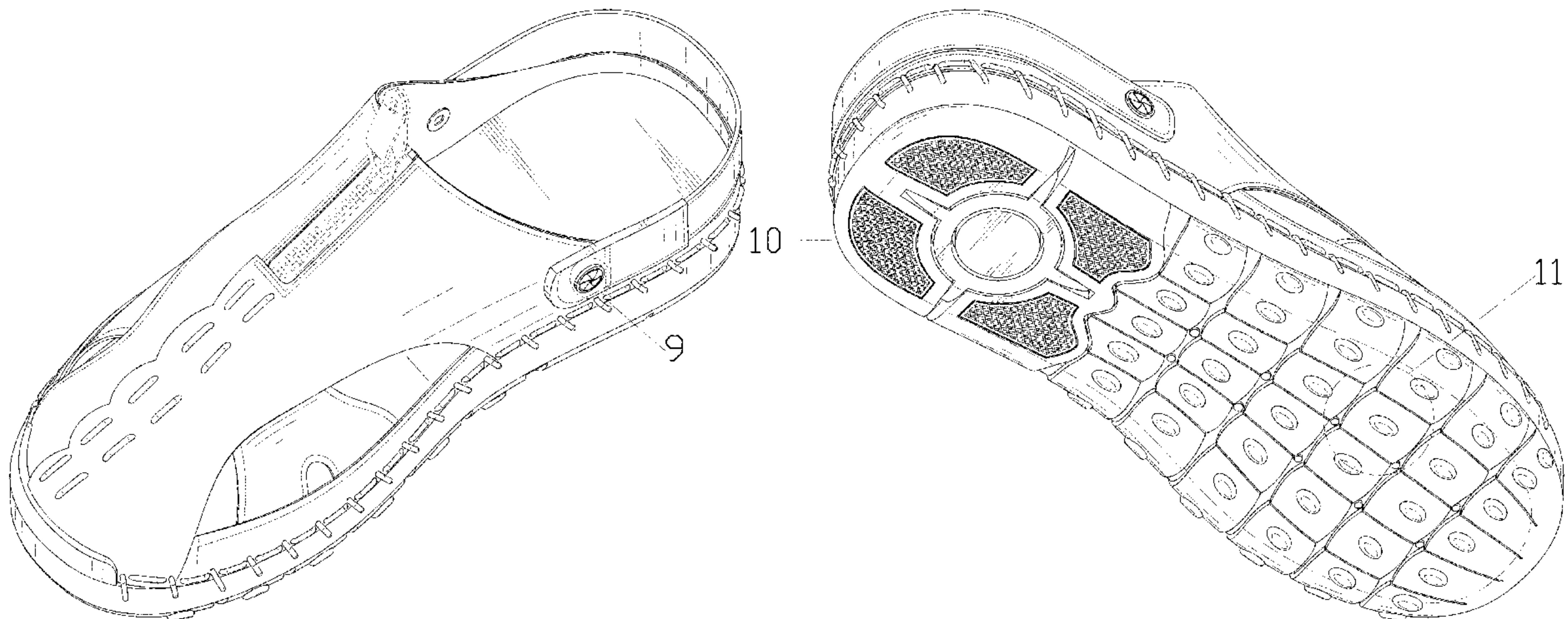
(57) **CLAIM**

The ornamental design for a sandal, as shown and described.

**DESCRIPTION**

FIG. 1 is a perspective view of a sandal showing my new design;  
 FIG. 2 is another perspective view thereof;  
 FIG. 3 is a front elevational view thereof;  
 FIG. 4 is a rear elevational view thereof;  
 FIG. 5 is a left side elevational view thereof;  
 FIG. 6 is a right side elevational view thereof;  
 FIG. 7 is a top plan view thereof;  
 FIG. 8 is a bottom plan view thereof;  
 FIG. 9 is an enlarged view of portion 9 shown in FIG. 1;  
 FIG. 10 is an enlarged view of portion 10 shown in FIG. 2;  
 and,  
 FIG. 11 is an enlarged view of portion 11 shown in FIG. 2.  
 The broken lines in the drawings depict stitching that form no part of the claimed design. The long thin evenly spaced broken lines in the drawings depict portions of sandal that form no part of the claimed design. The short thick evenly spaced broken lines depict stitching that form no part of the claimed design.

**1 Claim, 11 Drawing Sheets**



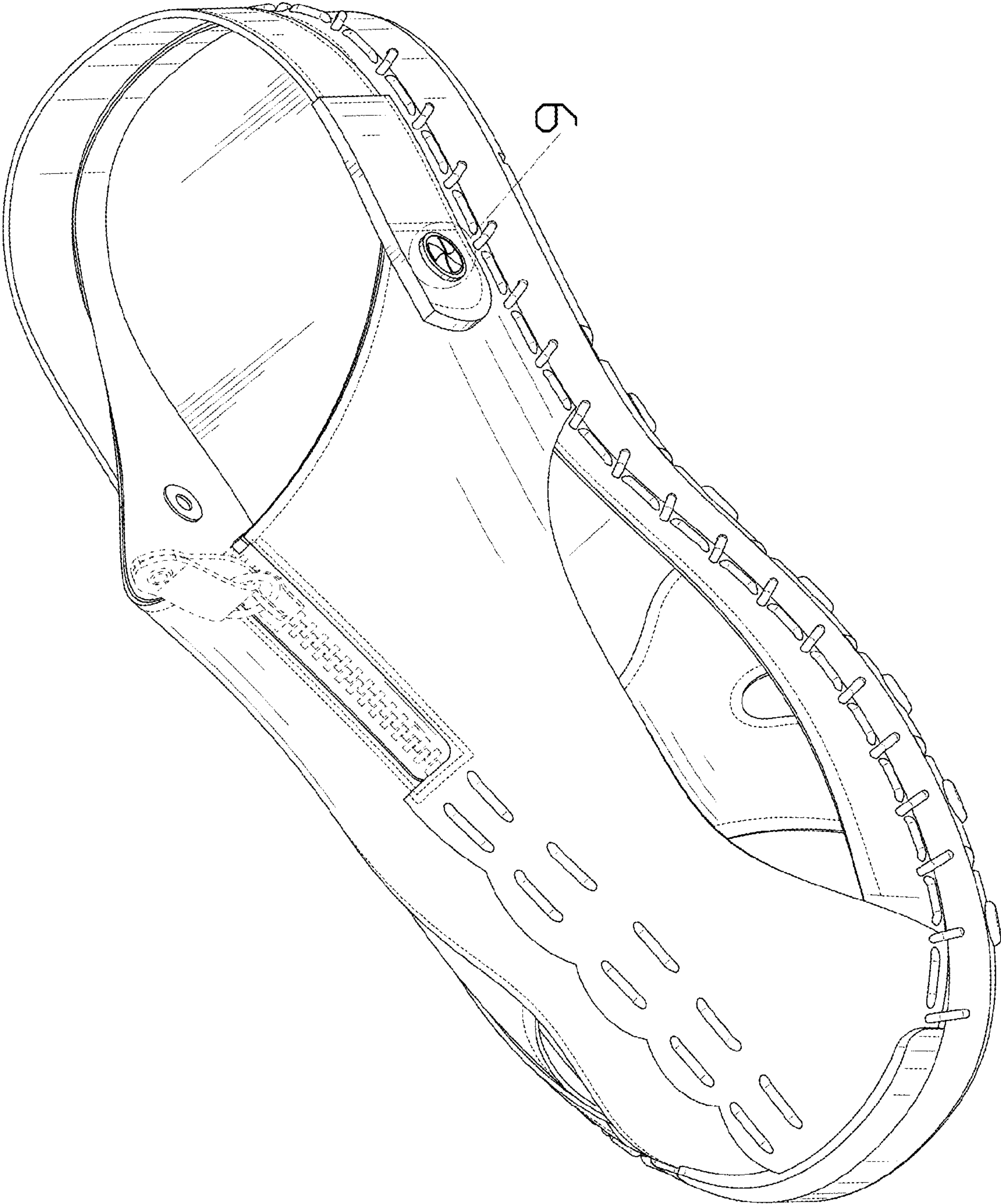


FIG. 1



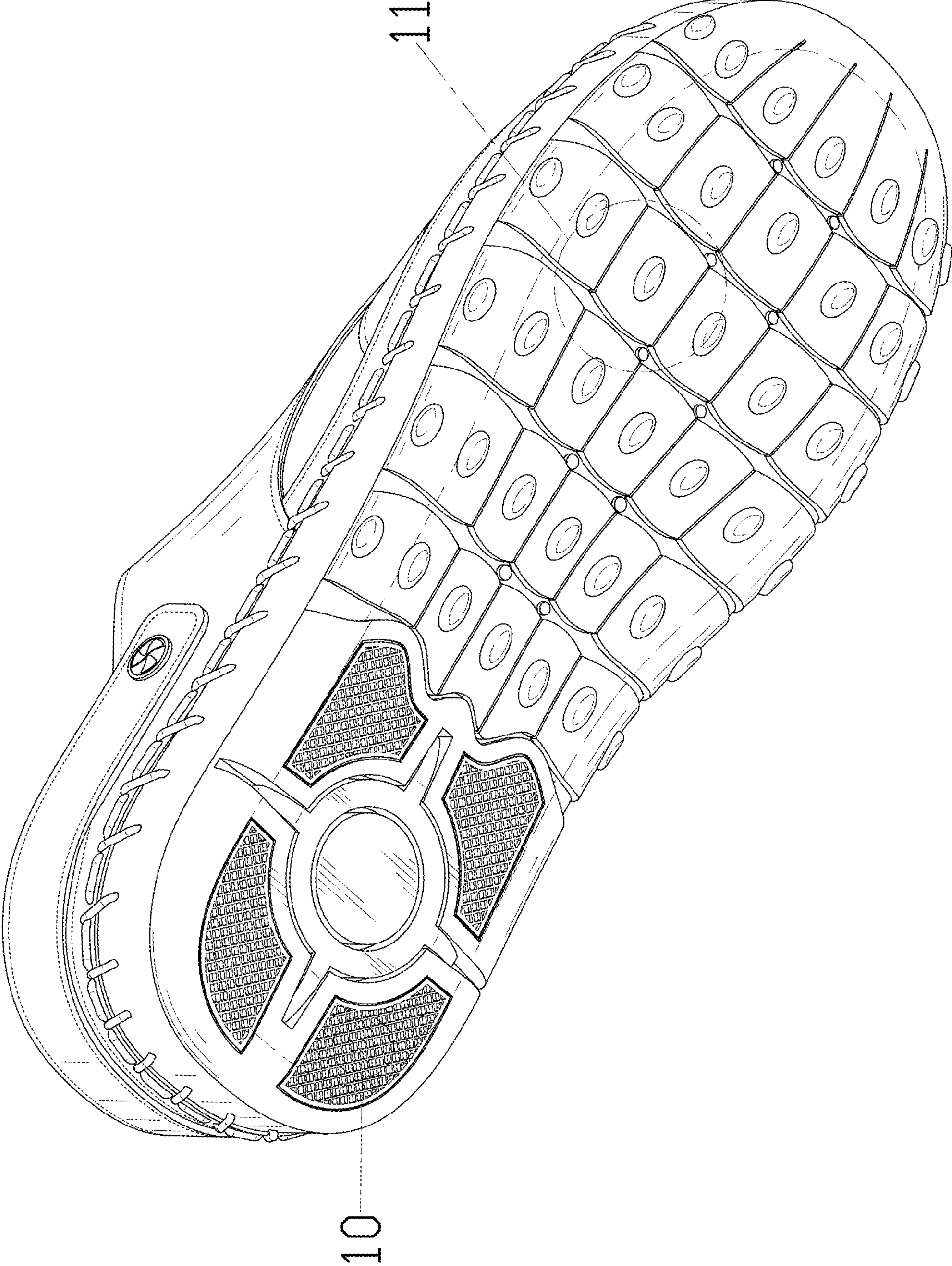


FIG. 2

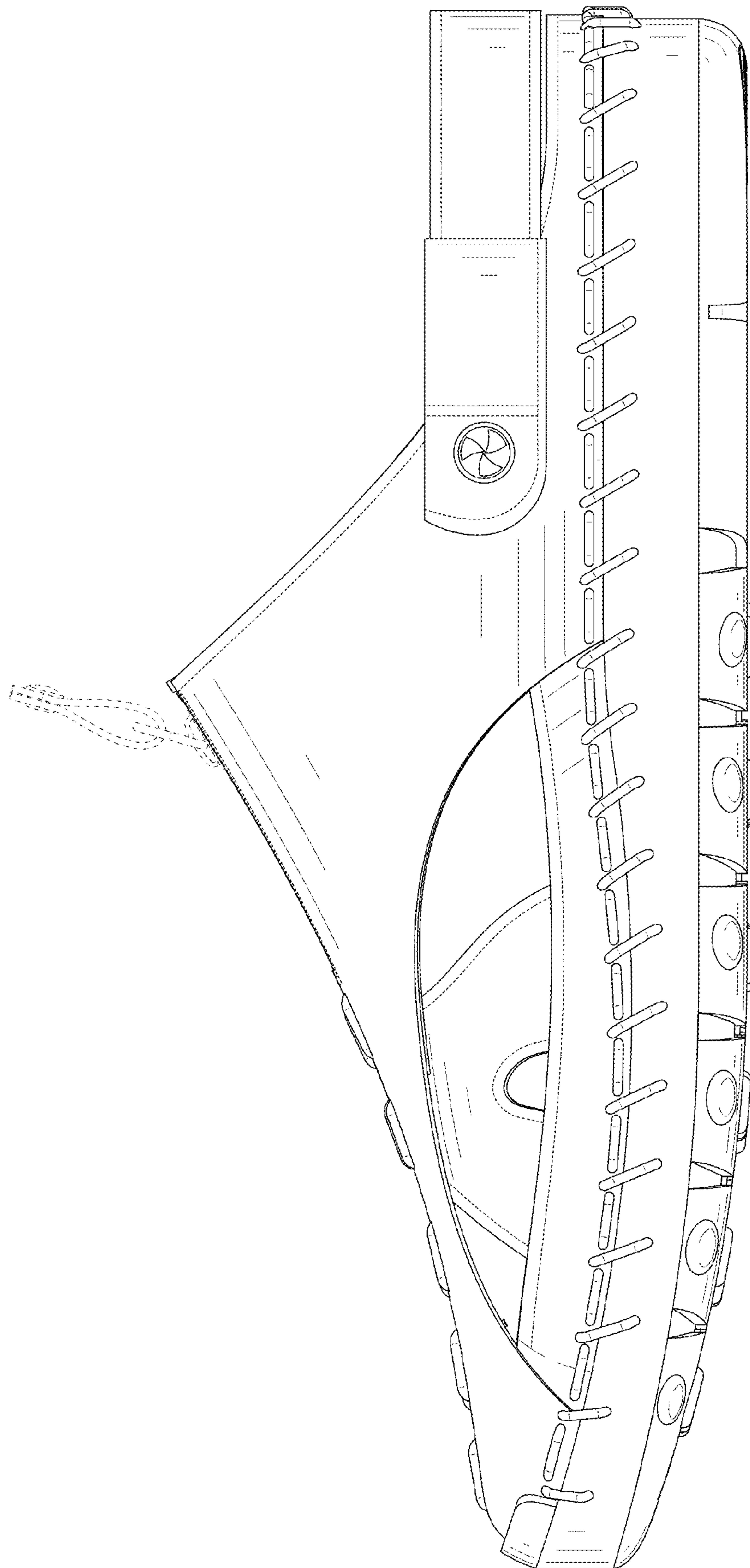


FIG. 3

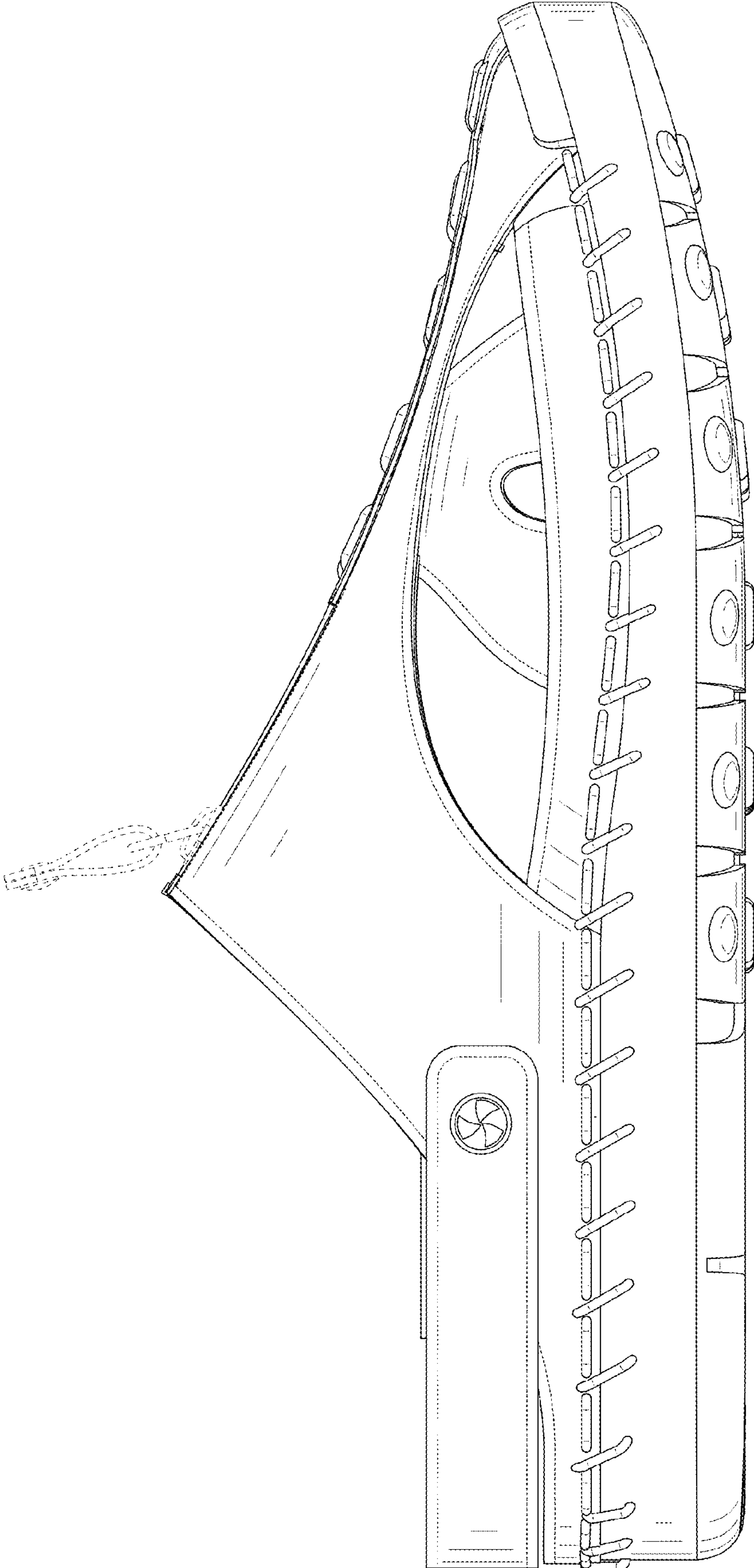


FIG. 4



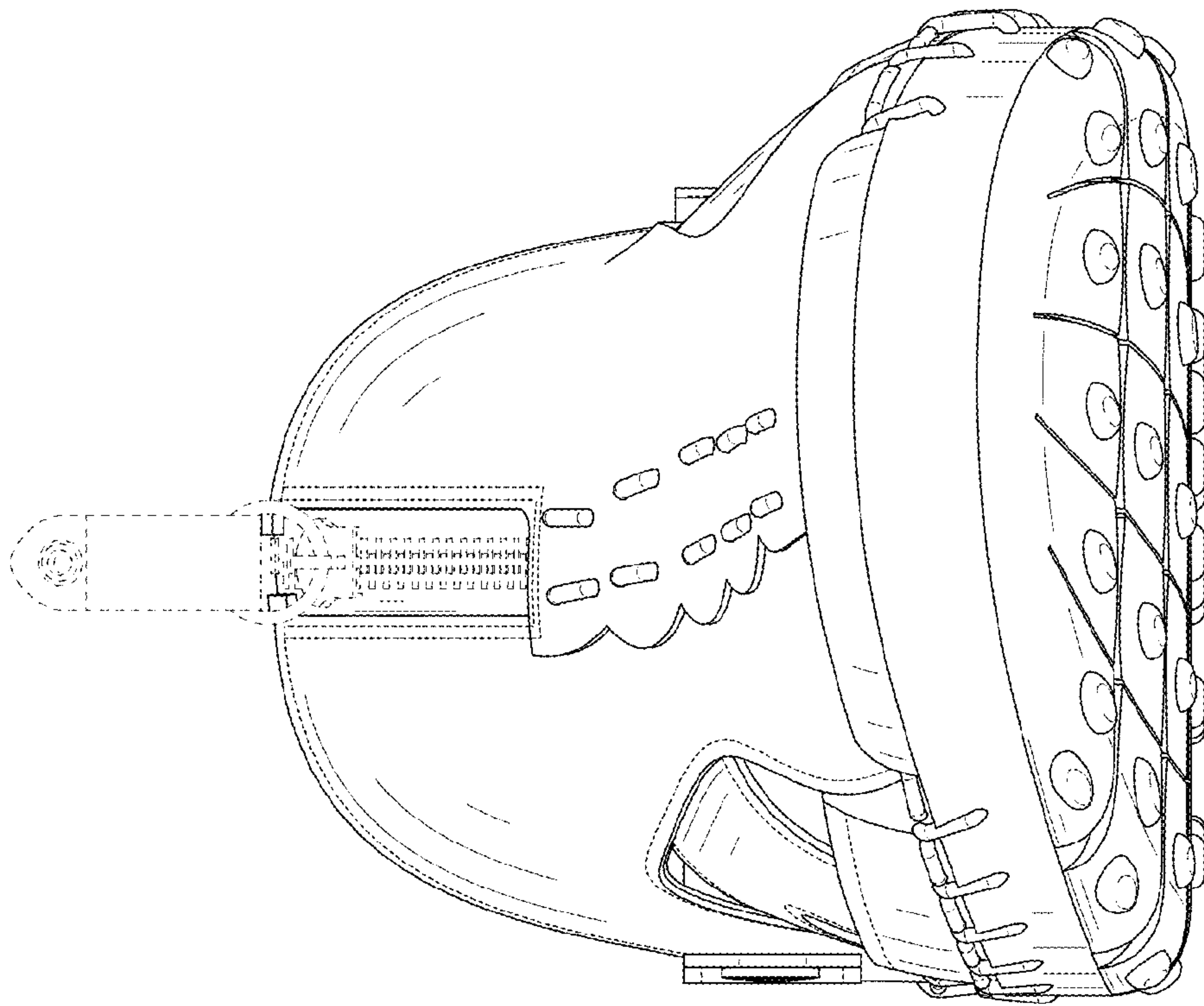


FIG. 5

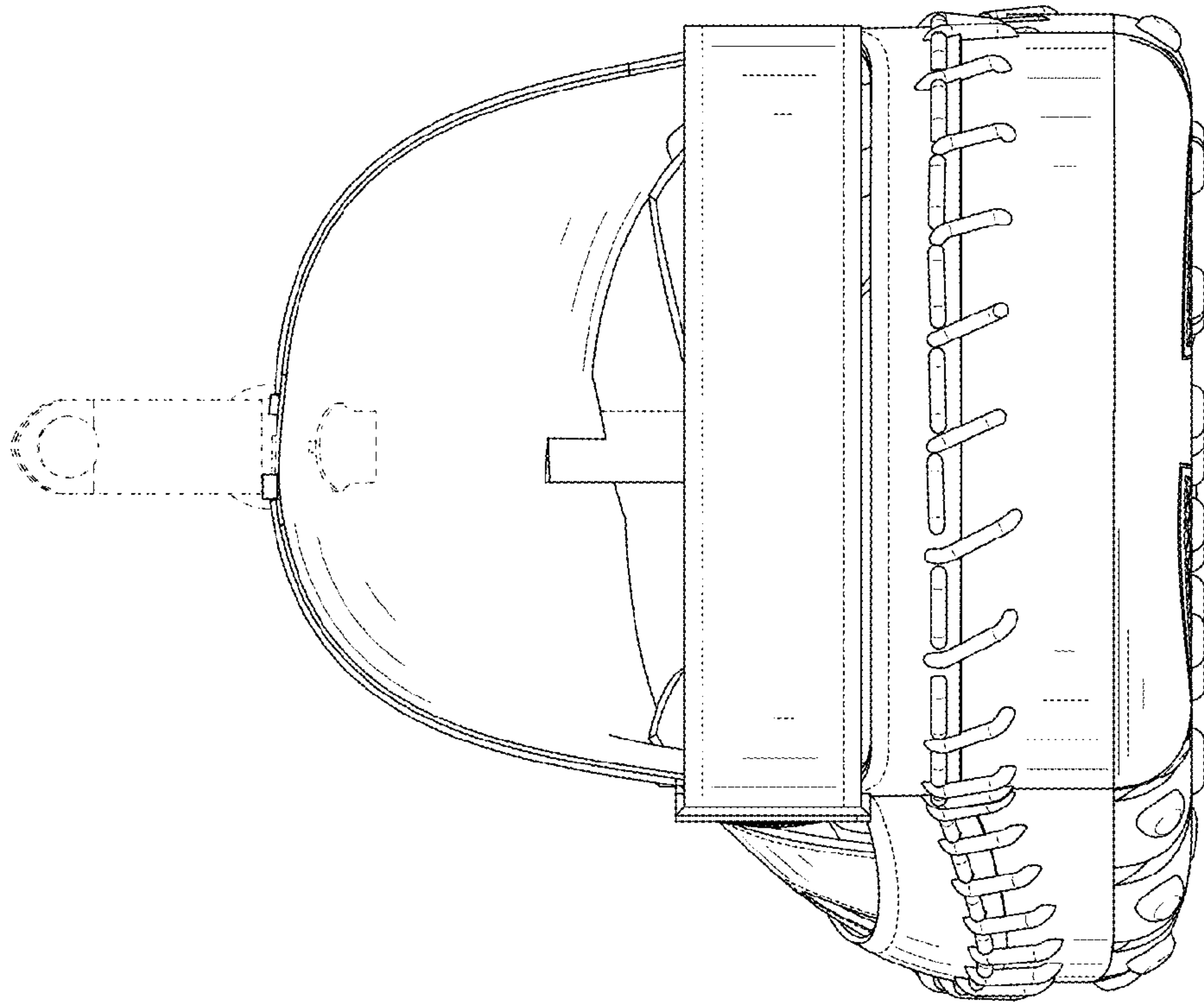


FIG. 6

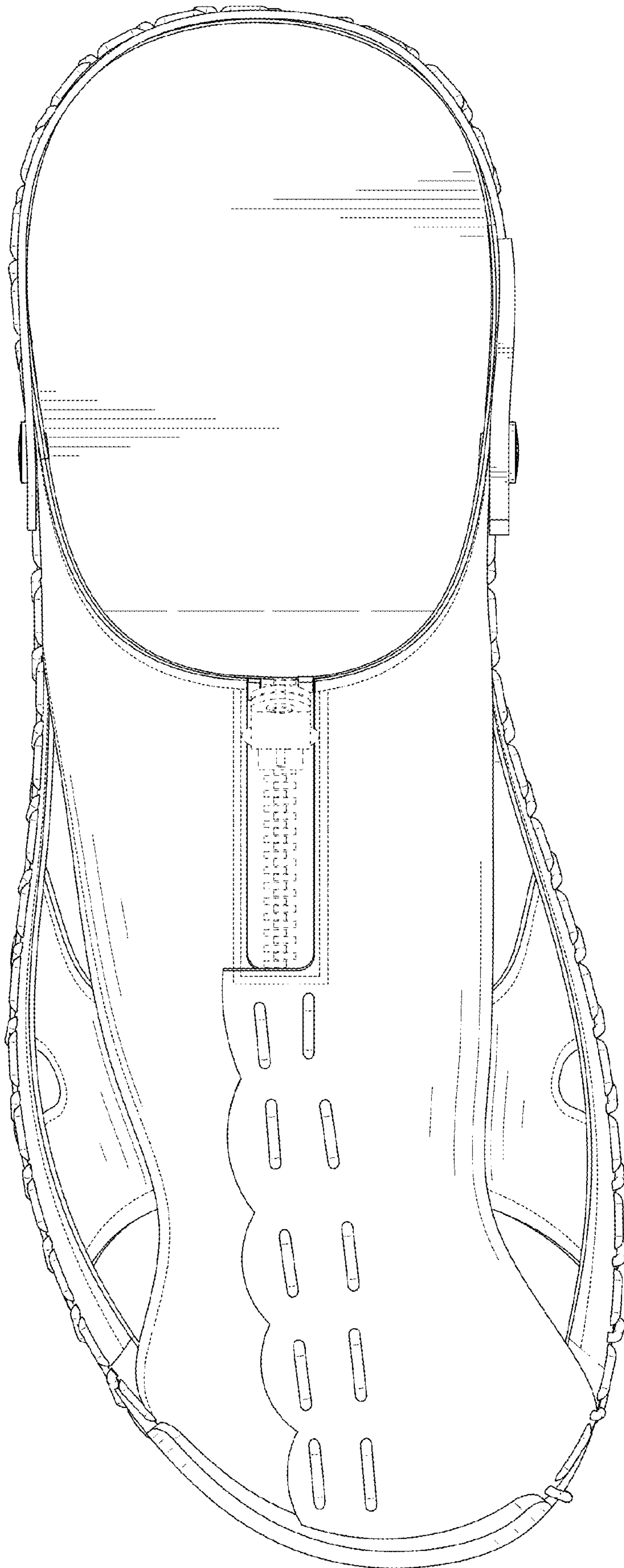


FIG. 7



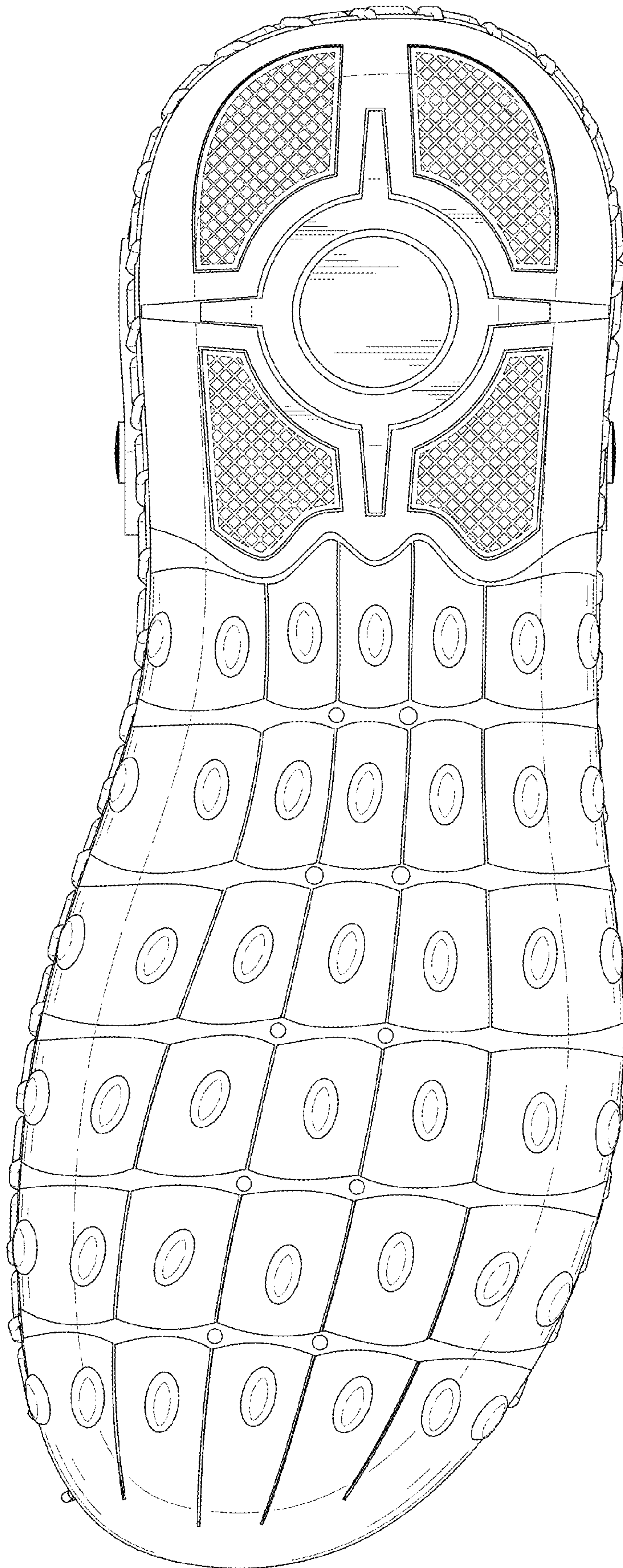


FIG. 8

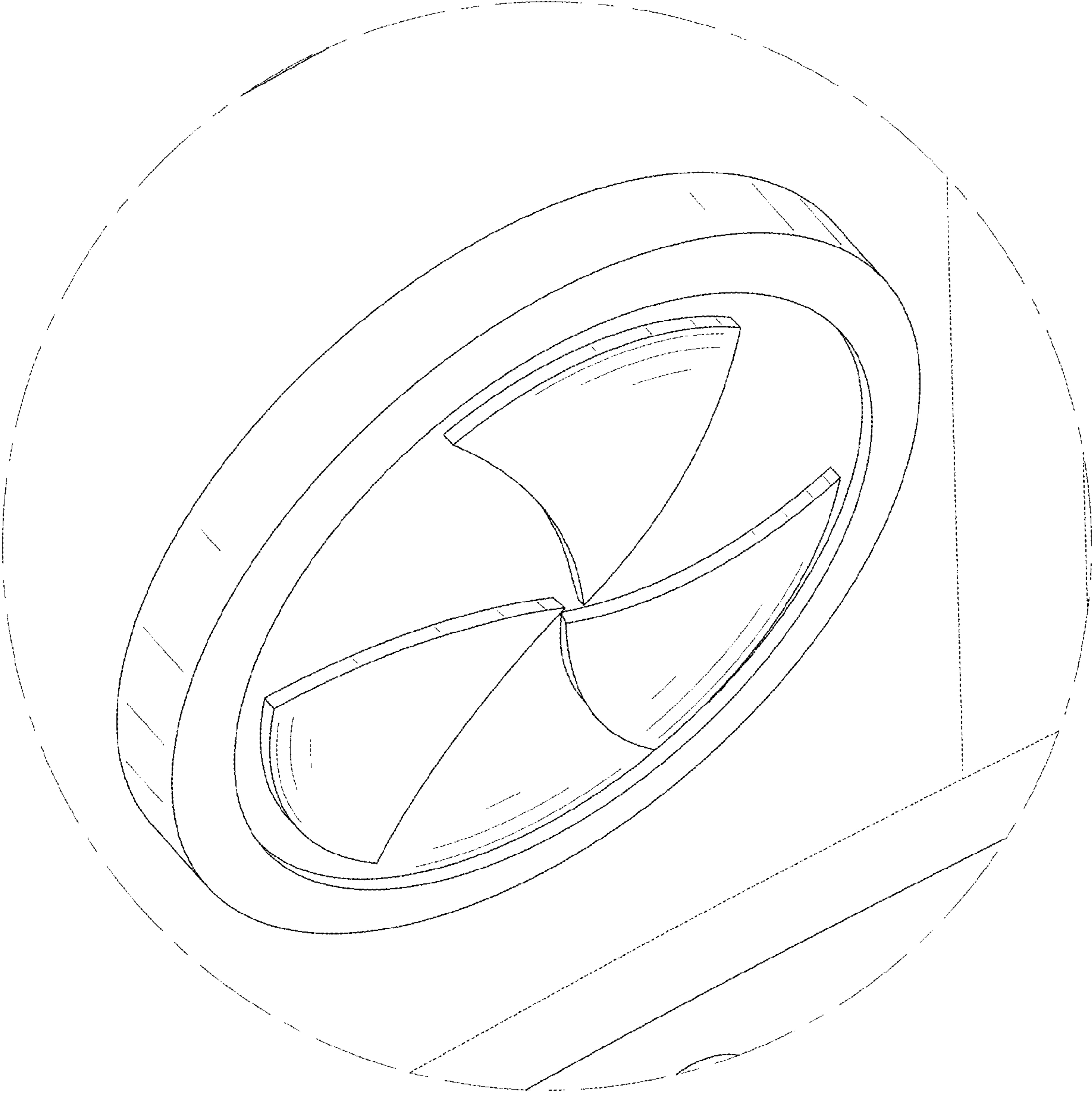


FIG. 9

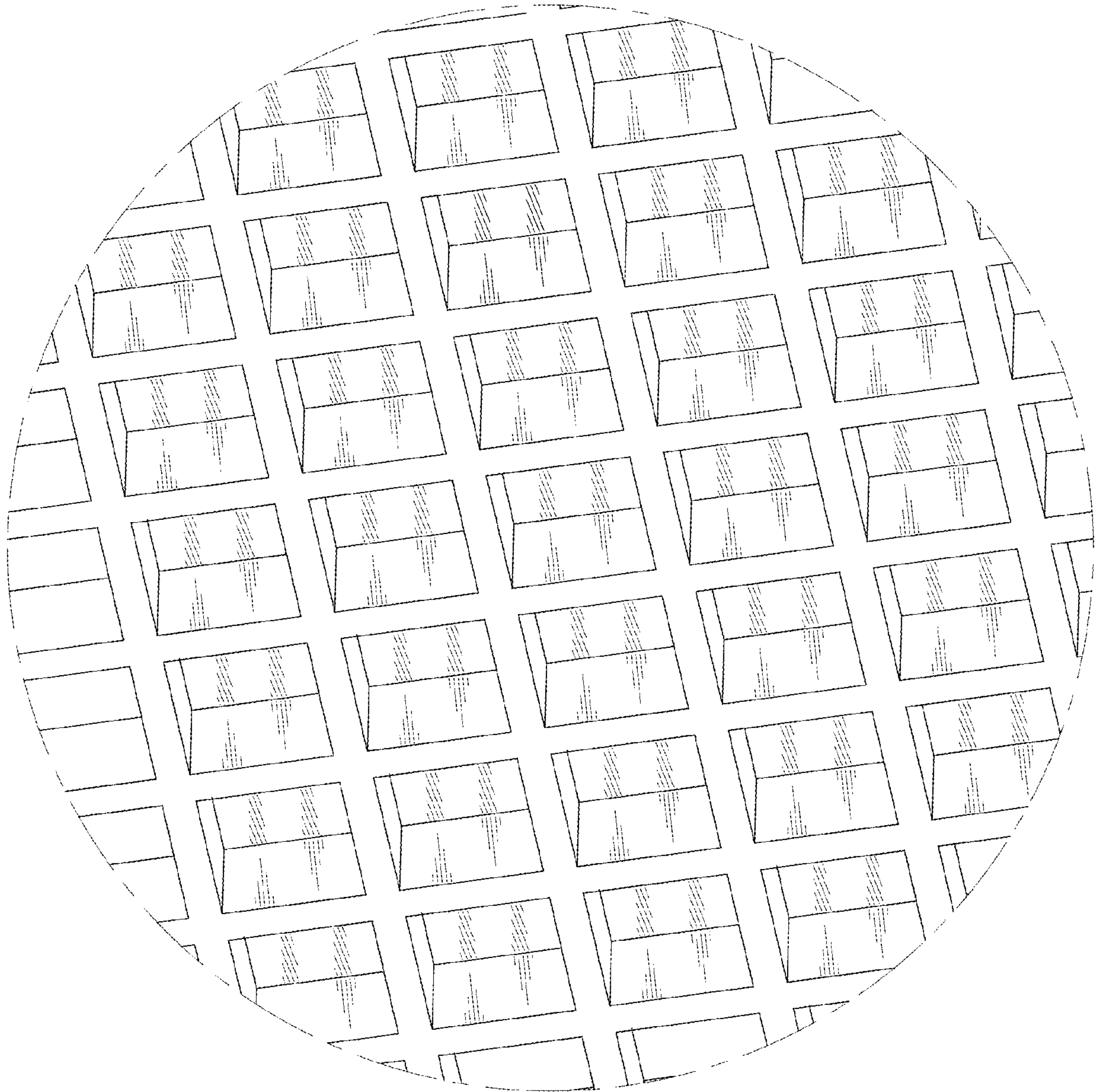


FIG. 10



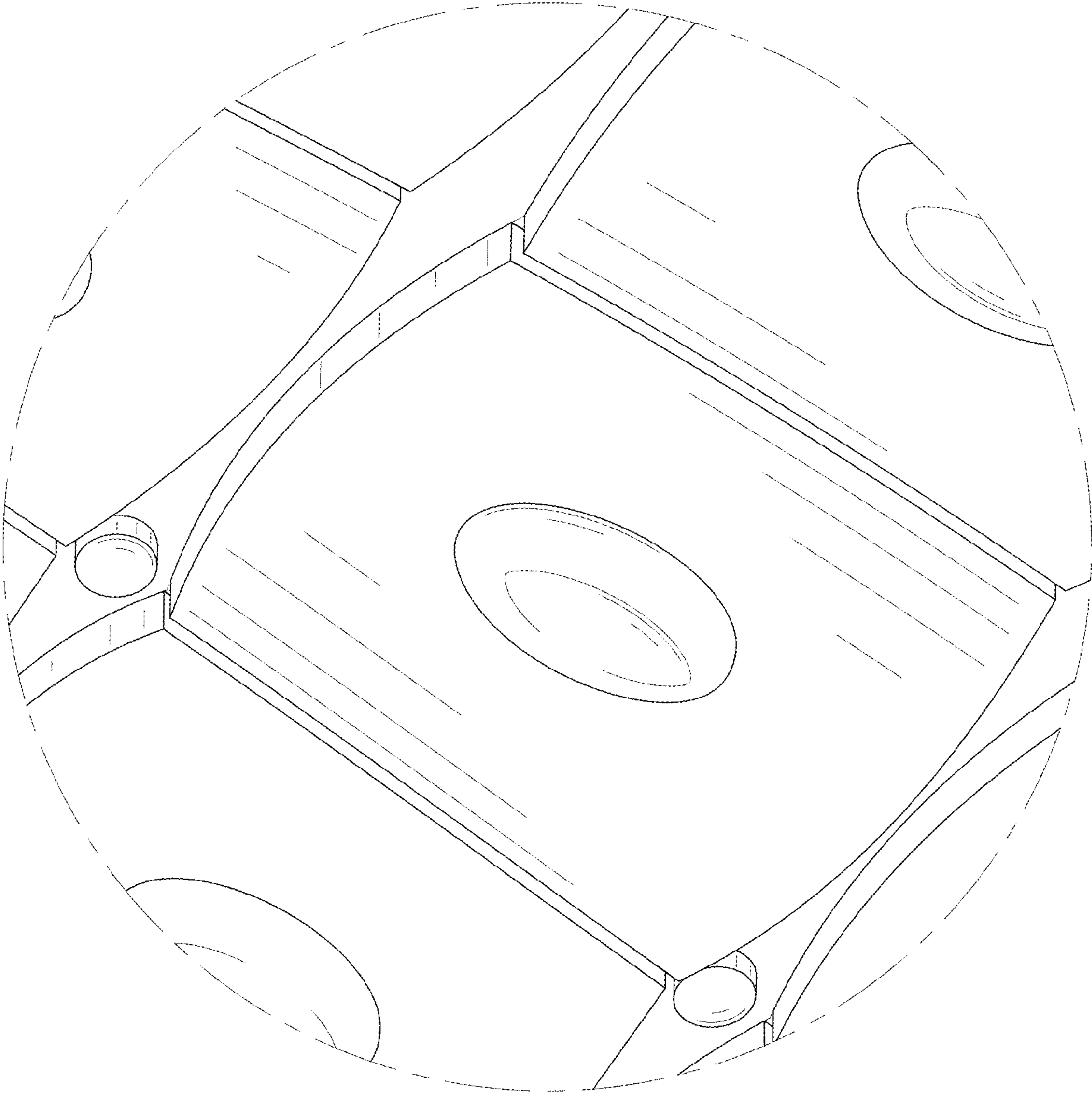


FIG. 11