



US00D985897S

(12) **United States Design Patent** (10) **Patent No.:** **US D985,897 S**
Frain Terras (45) **Date of Patent:** **** May 16, 2023**

(54) **FOOTWEAR**

D928,492 S 8/2021 Kim
D974,713 S * 1/2023 Frain Terras D2/919
D975,406 S * 1/2023 Frain Terras D2/919

(71) Applicant: **Deckers Outdoor Corporation**, Goleta, CA (US)

(72) Inventor: **Helene A. Frain Terras**, Santa Barbara, CA (US)

(73) Assignee: **Deckers Outdoor Corporation**, Goleta, CA (US)

(**) Term: **15 Years**

(21) Appl. No.: **29/806,312**

(22) Filed: **Sep. 2, 2021**

(51) **LOC (14) Cl.** **02-04**

(52) **U.S. Cl.**
USPC **D2/916**

(58) **Field of Classification Search**
USPC D2/896-900, 902-908, 916-918, 923,
D2/947-954, 969, 972-974
CPC A43B 5/001-025; A43B 3/12; A43B 3/16;
A43B 3/10; A43B 1/10-14
See application file for complete search history.

(56) **References Cited**

U.S. PATENT DOCUMENTS

2,205,091	A *	6/1940	Geffner	A43B 3/24
					36/11
D253,138	S *	10/1979	Foldes	D2/916
D293,967	S *	2/1988	Maciel	D2/916
D384,495	S *	10/1997	Watson	D2/916
D614,381	S	4/2010	MacIntyre		
D801,010	S *	10/2017	Armellin	D2/916
D852,472	S *	7/2019	Sherman	D2/916
D866,941	S	11/2019	Kim		
D901,869	S	11/2020	Kim		
D901,870	S	11/2020	Kim		
D916,443	S *	4/2021	Chen	D2/919
D920,652	S	6/2021	Frain Terras		

OTHER PUBLICATIONS

UGG Australia catalog, Winter 2002 collection, "Fluff Slide" p. 29, Nov. 2002.
Are Rihanna Puma Fur Slides Worth It? They Aren't Shower Shoes But They Sure Are Comfy, Bustle.com, by Amy Sciarretto, <https://www.bustle.com/articles/161253-are-rihanna-puma-fur-slides-worth-it-they-arent-shower-shoes-but-they-sure-are-comfy>, May 17, 2016.
UGG Australia catalog, Fall/Winter 1999, "Cluggette", "Roo", "Mate" pp. 16-17, Nov. 1999.
UGG Australia catalog, Fall/Winter 2004, "Coquette" p. 13, Nov. 2004.

(Continued)

Primary Examiner — Rashida C. Walshon

(74) *Attorney, Agent, or Firm* — Greer, Burns & Crain, Ltd.

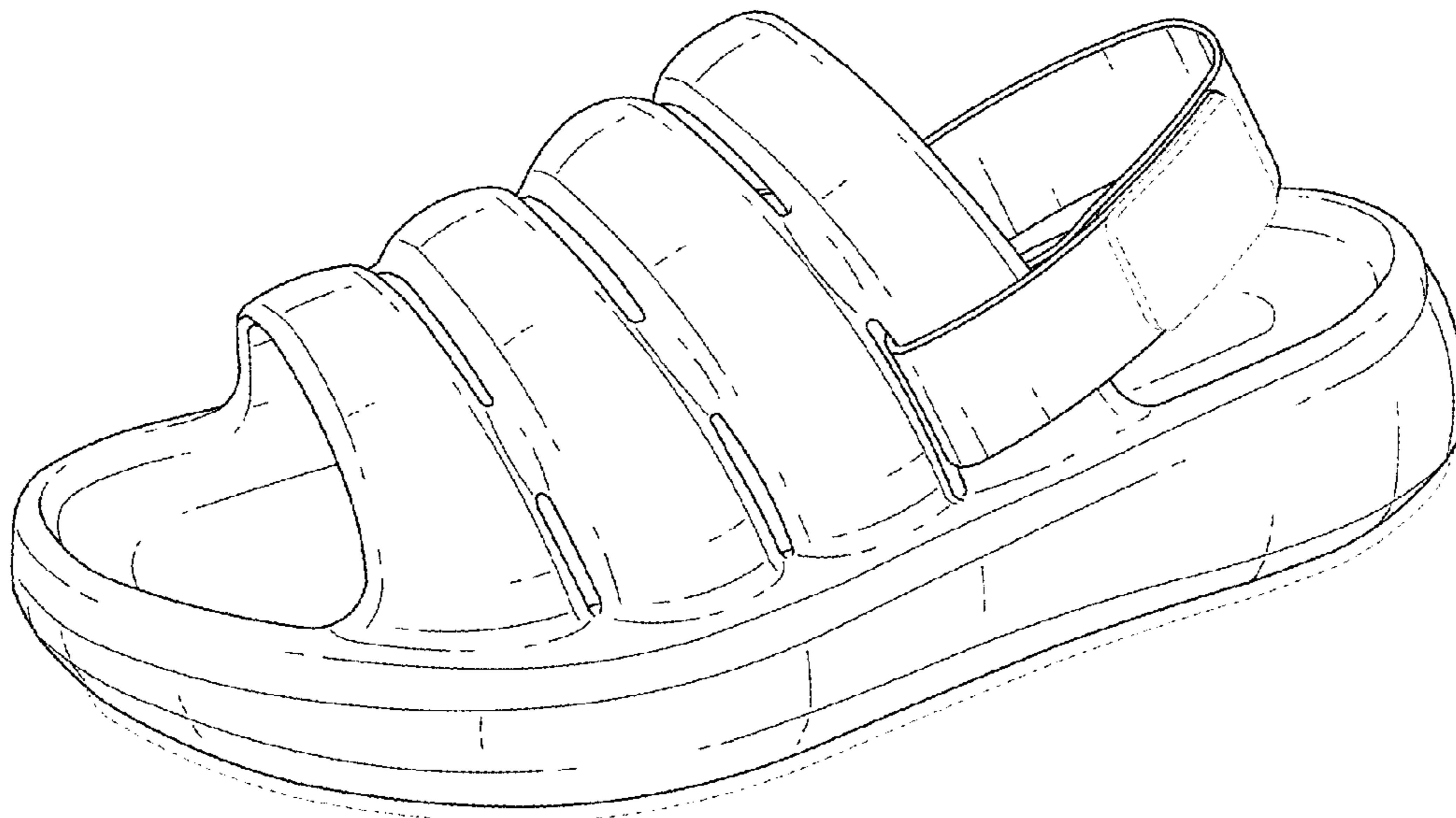
(57) **CLAIM**

The ornamental design for footwear, as shown and described.

DESCRIPTION

FIG. 1 is a front perspective view of footwear showing our new design;
FIG. 2 is a side elevational view thereof;
FIG. 3 is an opposite side elevational view thereof;
FIG. 4 is a front elevational view thereof;
FIG. 5 is a rear elevational view thereof;
FIG. 6 is a top plan view thereof; and,
FIG. 7 is a bottom plan view thereof.
The even dashed broken lines depict features of the footwear that form no part of the claimed design. The remaining even dashed broken lines showing the shoe sole form no part of the claimed design.

1 Claim, 3 Drawing Sheets



(56)

References Cited

OTHER PUBLICATIONS

UGG Australia catalog, Winter 2002 collection, "Fluff Scuff" p. 29, Nov. 2002.

Puma Drops New Monochrome Platform Sandals, Missbish, by Jana K. Hoffman, at <https://missbish.com/puma-drops-new-monochrome-platform-sandals/> Apr. 2017.

Co-pending design U.S. Appl. No. 29/755,215, filed Oct. 19, 2020.

Co-pending design U.S. Appl. No. 29/782,061, filed May 4, 2021.

Co-pending design U.S. Appl. No. 29/782,069, filed May 4, 2021.

Co-pending design U.S. Appl. No. 29/782,066, filed May 4, 2021.

Co-pending design U.S. Appl. No. 29/802,290, filed Aug. 4, 2021.

Co-pending design U.S. Appl. No. 29/802,291, filed Aug. 4, 2021.

Co-pending design U.S. Appl. No. 29/802,293, filed Aug. 4, 2021.

* cited by examiner

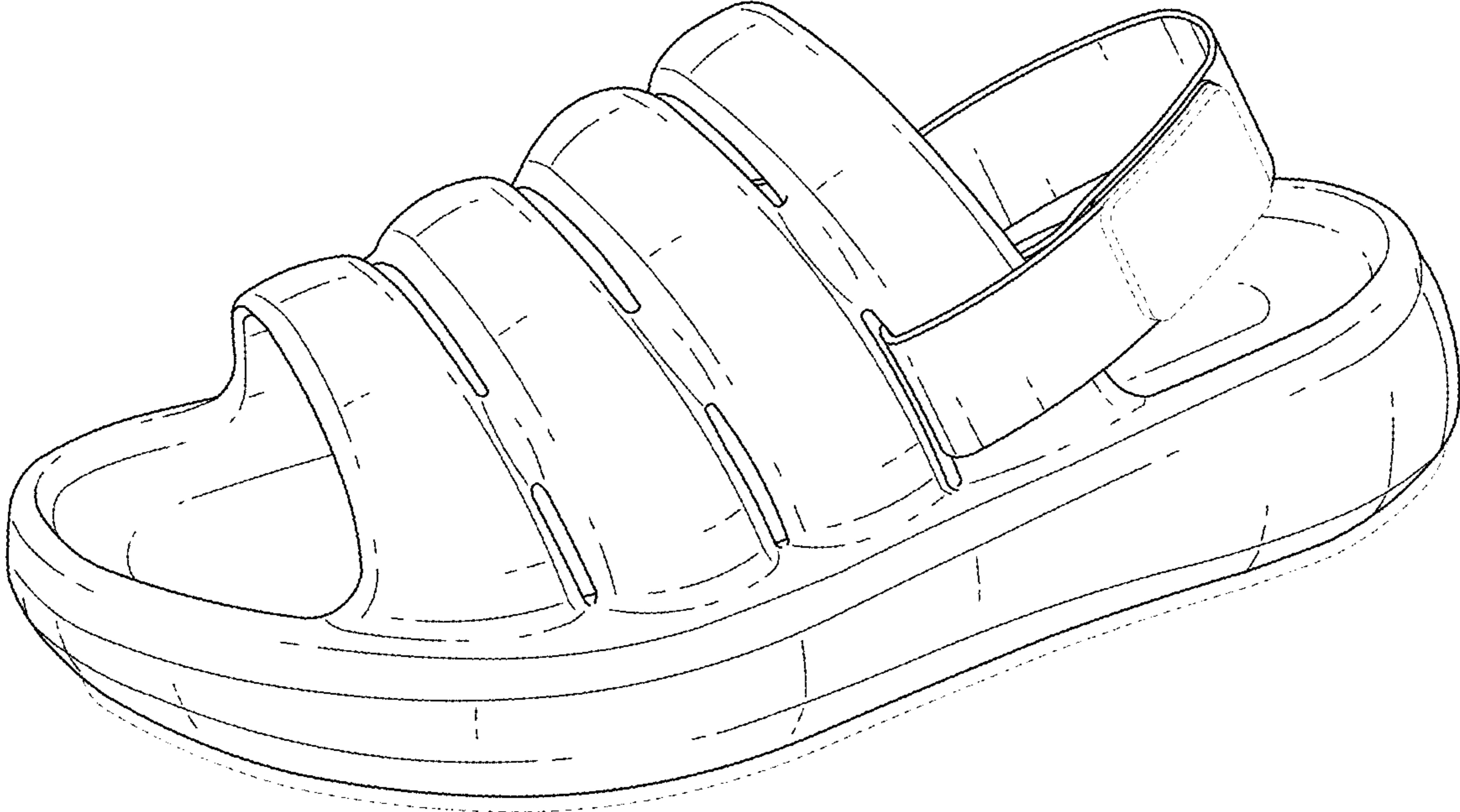


FIG. 1

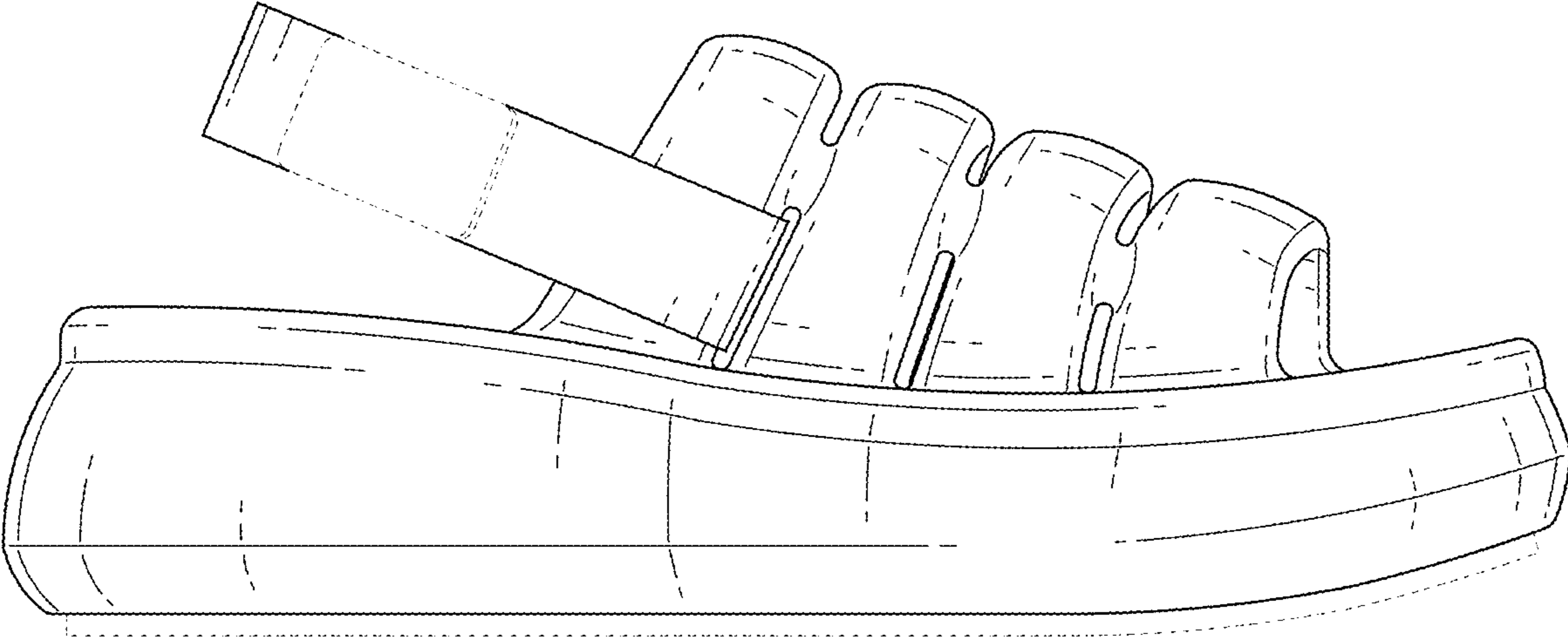


FIG. 2

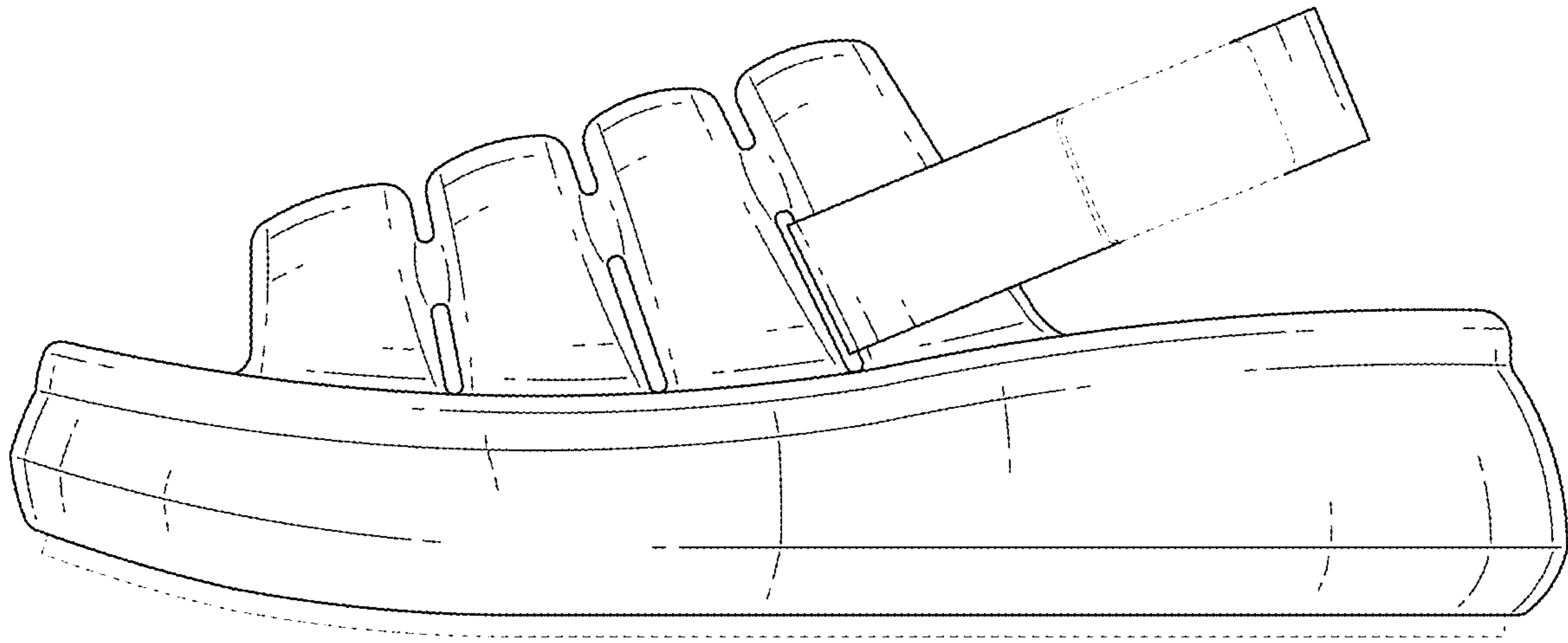


FIG. 3

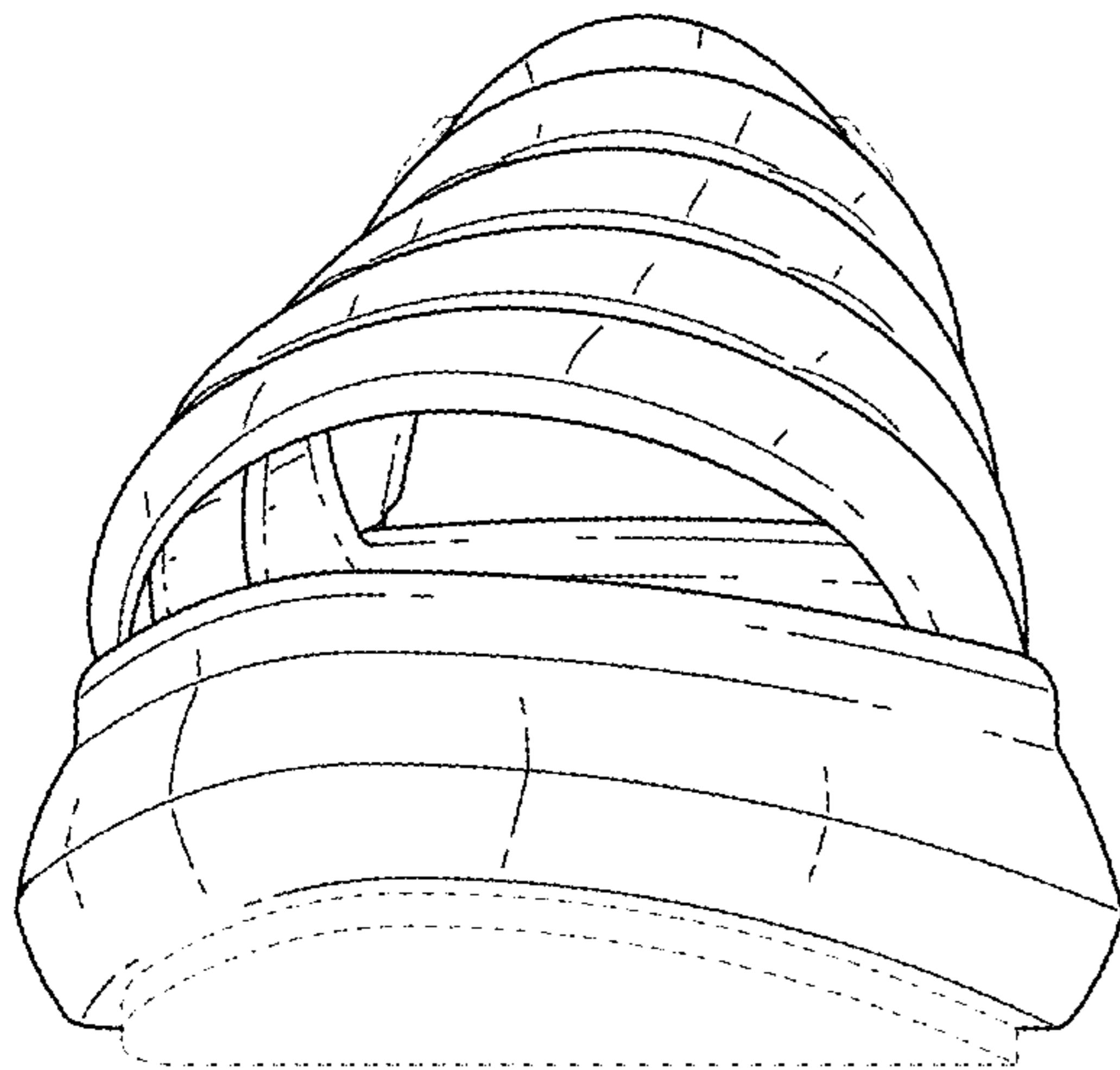


FIG. 4

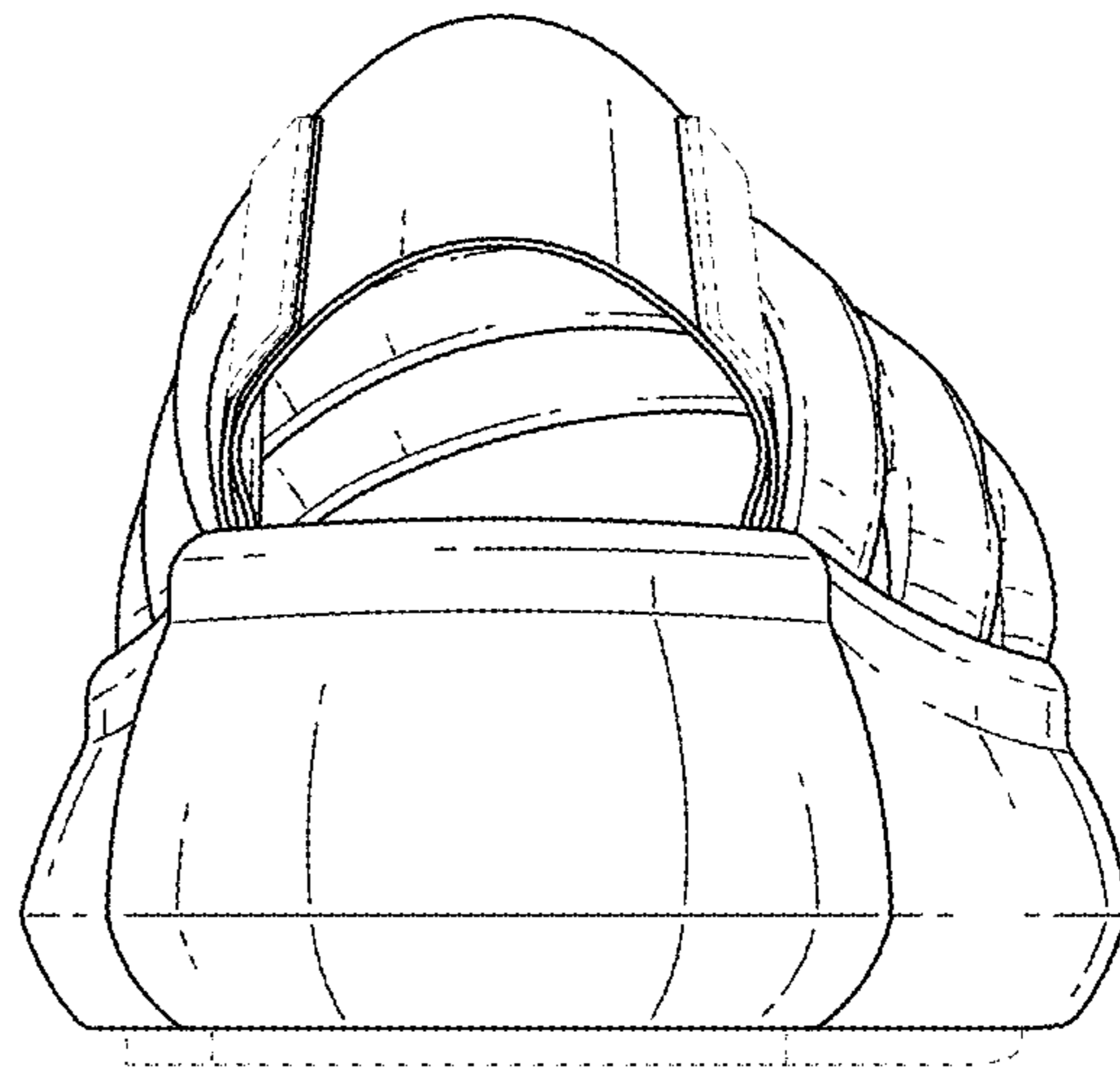


FIG. 5

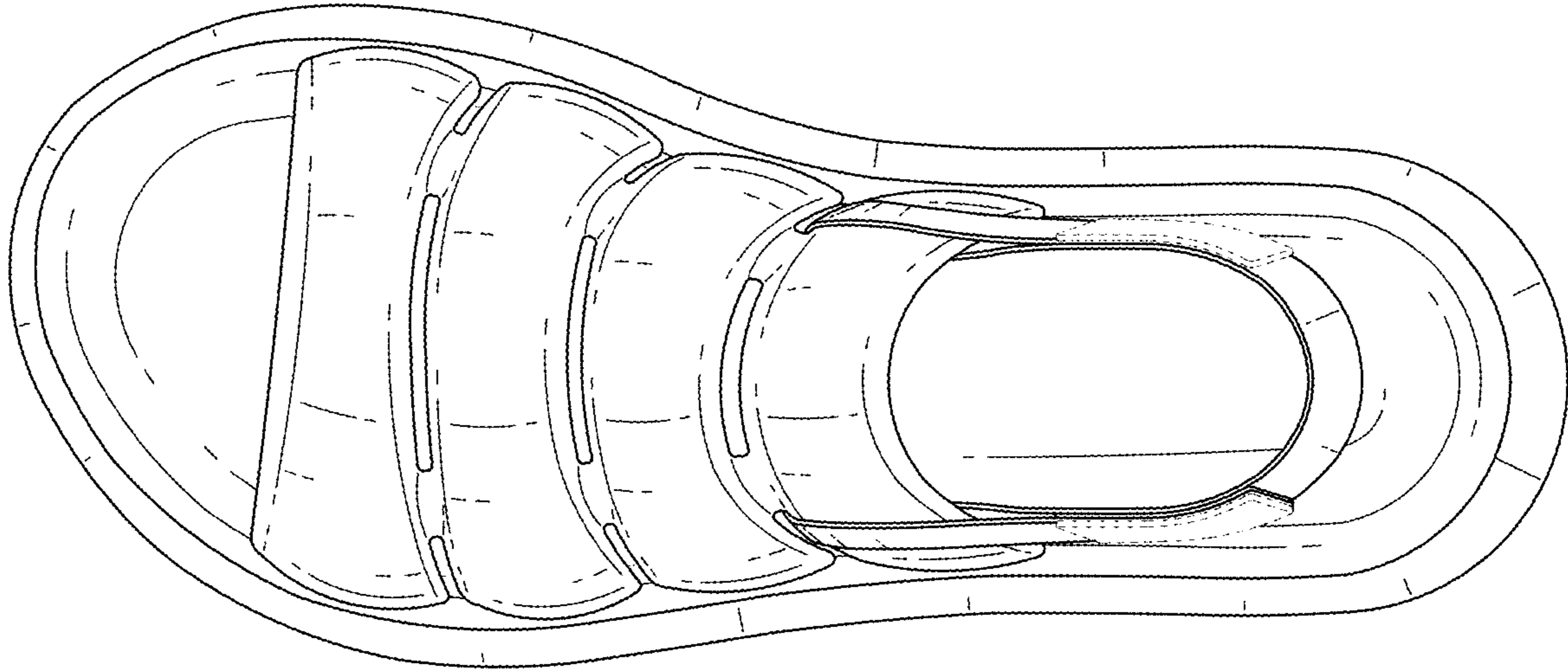


FIG. 6

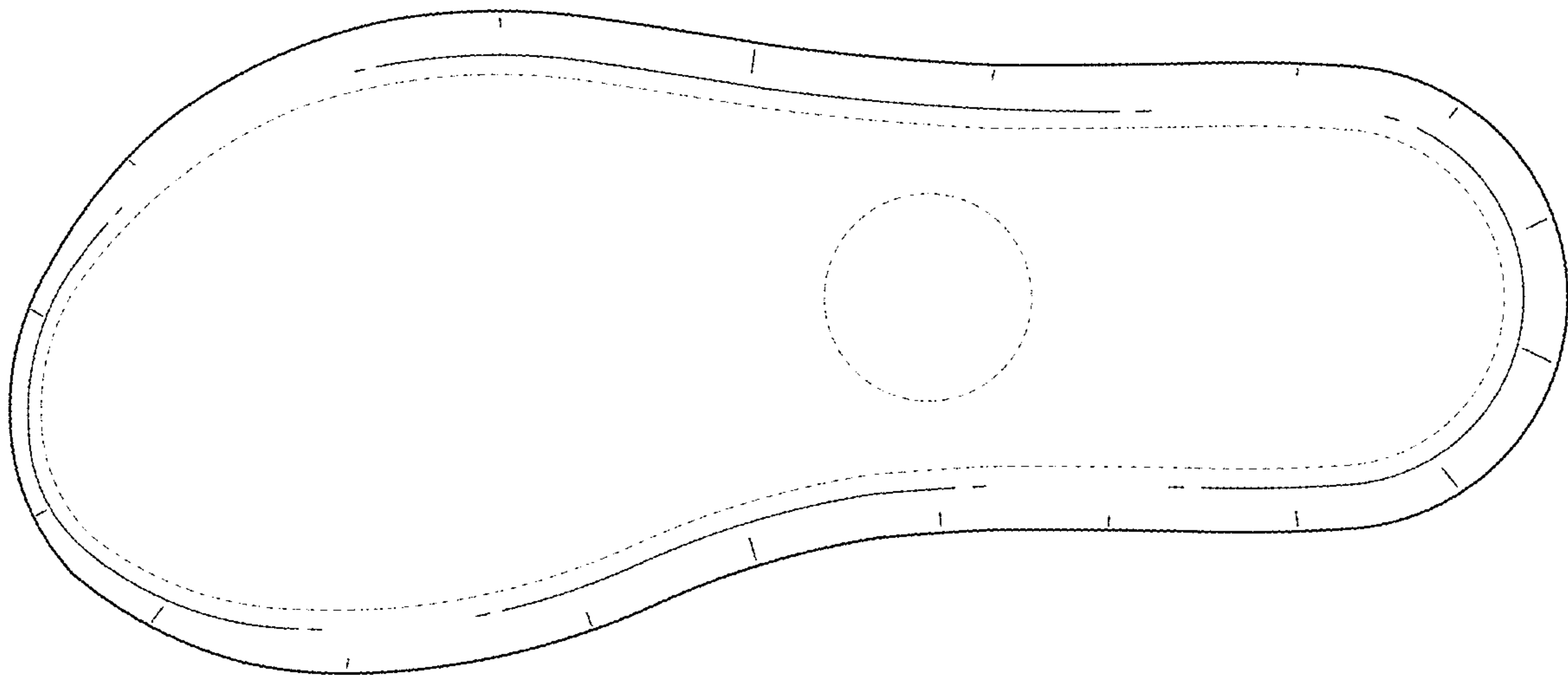


FIG. 7