



US00D985894S

(12) **United States Design Patent** (10) **Patent No.:** **US D985,894 S**
Kroshinskaya (45) **Date of Patent:** **** May 16, 2023**

(54) **FOOTWEAR**
(71) Applicant: **Target Brands, Inc.**, Minneapolis, MN (US)
(72) Inventor: **Masha Kroshinskaya**, Minneapolis, MN (US)
(73) Assignee: **Target Brands, Inc.**, Minneapolis, MN (US)
(**) Term: **15 Years**

5,063,692 A * 11/1991 Suginaka A43B 7/142
36/43
5,205,054 A 4/1993 York, Jr.
D337,650 S * 7/1993 Thomas, III D2/961
5,423,134 A 6/1995 Bagnaia et al.
5,465,506 A 11/1995 Mafis et al.
5,533,278 A 7/1996 Stein
5,561,919 A 10/1996 Gill
RE35,452 E 2/1997 Sargeant
5,687,492 A 11/1997 Muraoka
5,836,090 A 11/1998 Smith
5,901,394 A 5/1999 Greenawalt
6,021,585 A 2/2000 Cole

(Continued)

(21) Appl. No.: **29/745,668**
(22) Filed: **Aug. 7, 2020**
(51) **LOC (14) Cl.** **02-04**
(52) **U.S. Cl.**
USPC **D2/916**; D2/951
(58) **Field of Classification Search**
USPC D2/896-900, 903, 916-925, 943, 946,
D2/947, 951, 959, 969, 971, 976
CPC A43B 3/12; A43B 3/122; A43B 17/14
See application file for complete search history.

FOREIGN PATENT DOCUMENTS

CA 25148080 C 2/2007
CN 205492741 8/2016

(Continued)

Primary Examiner — Rashida C. Walshon
(74) *Attorney, Agent, or Firm* — Merchant & Gould P.C.

(57) **CLAIM**

The ornamental design for a footwear, as shown and described.

DESCRIPTION

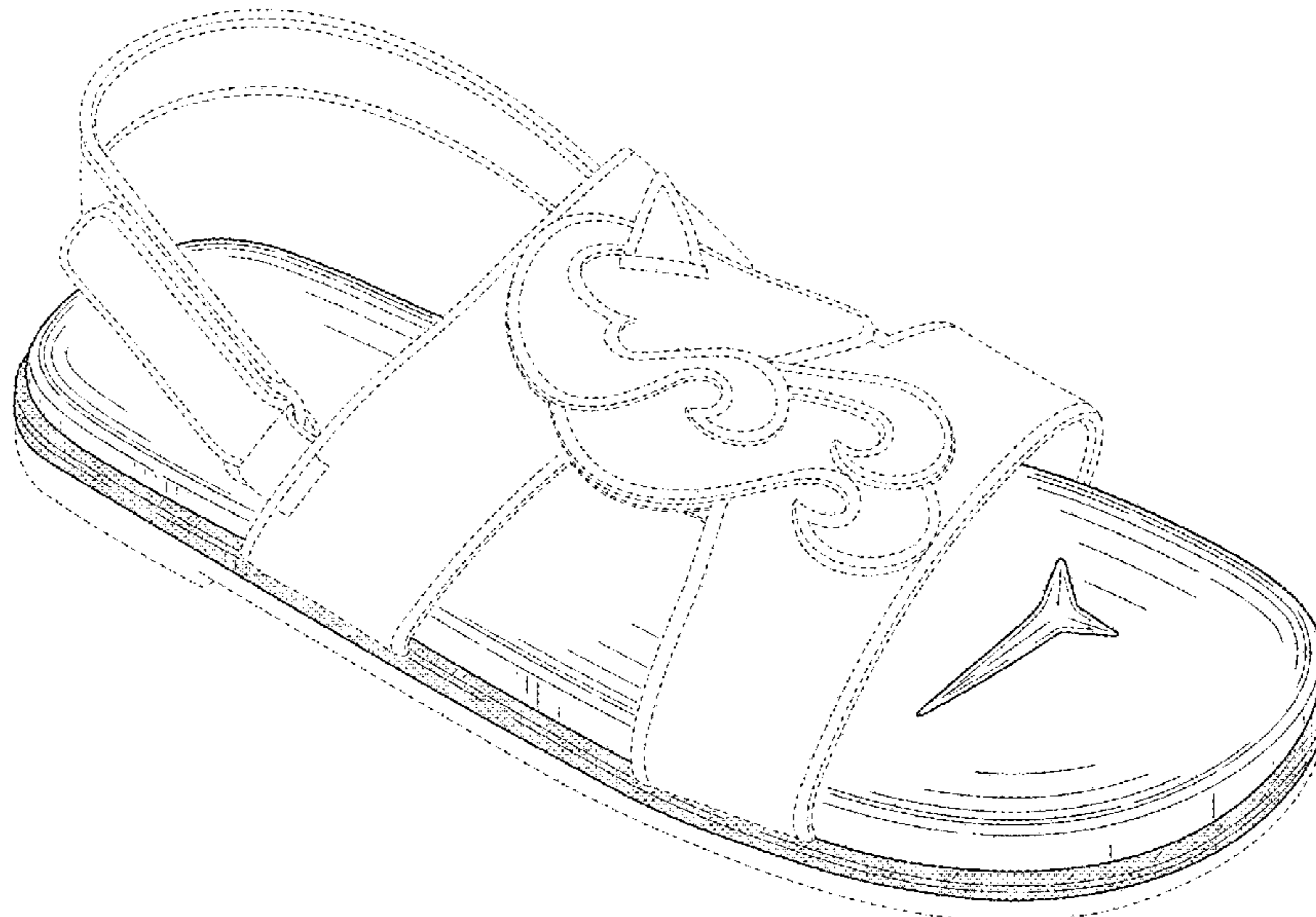
FIG. 1 is front, top and right side perspective view of an embodiment of a footwear according to the new design; FIG. 2 is a bottom, back and left side perspective view thereof; FIG. 3 is a right side elevation view thereof; FIG. 4 is a left side elevation view thereof; FIG. 5 is a front elevation view thereof; FIG. 6 is a back elevation view thereof; FIG. 7 is a top plan view thereof; and, FIG. 8 is a bottom plan view thereof. The broken lines in the drawings show portions that form no part of the claimed design.

(56) **References Cited**

U.S. PATENT DOCUMENTS

3,468,040 A * 9/1969 Fukuoka A43B 3/108
36/11.5
4,020,570 A * 5/1977 Shames A43B 17/14
36/44
4,200,997 A 5/1980 Scheinhaus et al.
4,275,512 A 6/1981 Zeligman et al.
4,300,294 A 11/1981 Riecken
4,446,633 A 5/1984 Scheinhaus et al.
D285,382 S * 9/1986 Schornstein D2/916
4,793,075 A 12/1988 Thatcher
4,817,302 A 4/1989 Saltsman
4,869,000 A 9/1989 York, Jr.
4,967,750 A 11/1990 Cherniak
5,056,241 A 10/1991 Young

1 Claim, 7 Drawing Sheets



(56)

References Cited

U.S. PATENT DOCUMENTS

6,052,920	A	4/2000	Bathum	
6,237,250	B1	5/2001	Aguerre	
D452,770	S *	1/2002	Birkenstock	D2/917
6,543,157	B2	4/2003	Pan	
6,606,803	B1	8/2003	Ritter et al.	
6,637,130	B2	10/2003	Urie et al.	
6,694,641	B1	2/2004	Gill	
D495,123	S *	8/2004	Wakatake	D2/918
6,772,541	B1	8/2004	Ritter et al.	
7,103,993	B2	9/2006	Sakai	
D555,881	S *	11/2007	Leong	D2/916
D578,279	S *	10/2008	del Biondi	D2/916
D588,343	S *	3/2009	Stoker	D2/916
D607,195	S *	1/2010	Feller	D2/961
D612,589	S *	3/2010	Kovacs	D2/961
7,794,417	B1	9/2010	Zimmerman	
7,823,299	B1	11/2010	Brigham	
D670,893	S *	11/2012	Feller	D2/917
8,460,593	B2	6/2013	Fogg et al.	
8,839,529	B1	9/2014	Levy	
D722,423	S *	2/2015	Jones	D2/917
9,468,252	B2	10/2016	Dematteo	
D816,962	S *	5/2018	Ellis	D2/951

9,955,755	B2	5/2018	Heid
10,278,454	B2	5/2019	Kohatsu et al.
2006/0059712	A1	5/2006	Asham
2006/0288610	A1	12/2006	Laska et al.
2009/0313854	A1	12/2009	Clarke
2010/0242305	A1	9/2010	Liu
2012/0124860	A1	5/2012	Waddel
2017/0143071	A1	5/2017	Huang et al.
2017/0360142	A1	12/2017	Griffin
2019/0350304	A1	11/2019	Velazquez et al.

FOREIGN PATENT DOCUMENTS

CN	109645617	A	4/2019
CN	209403674	U	9/2019
FR	3057741	B3	4/2018
GB	2046077		11/1980
GB	2377615	B	1/2003
GB	2550880	A	12/2017
JP	3217949		9/2018
KR	100719159	B1	5/2007
KR	20100038481	A	4/2010
KR	20160147227		12/2016
WO	WO 2012/031801		3/2012

* cited by examiner

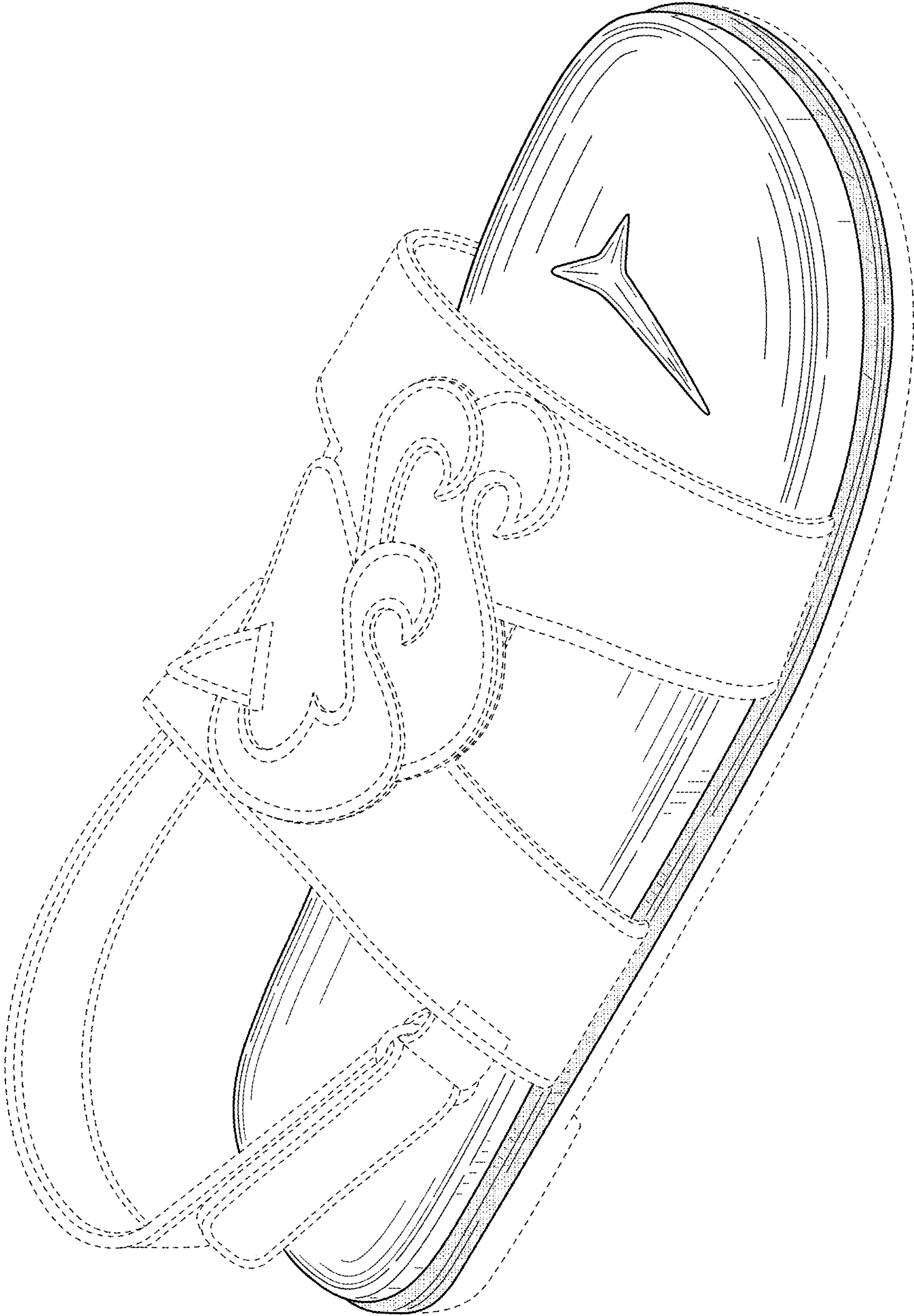


FIG. 1

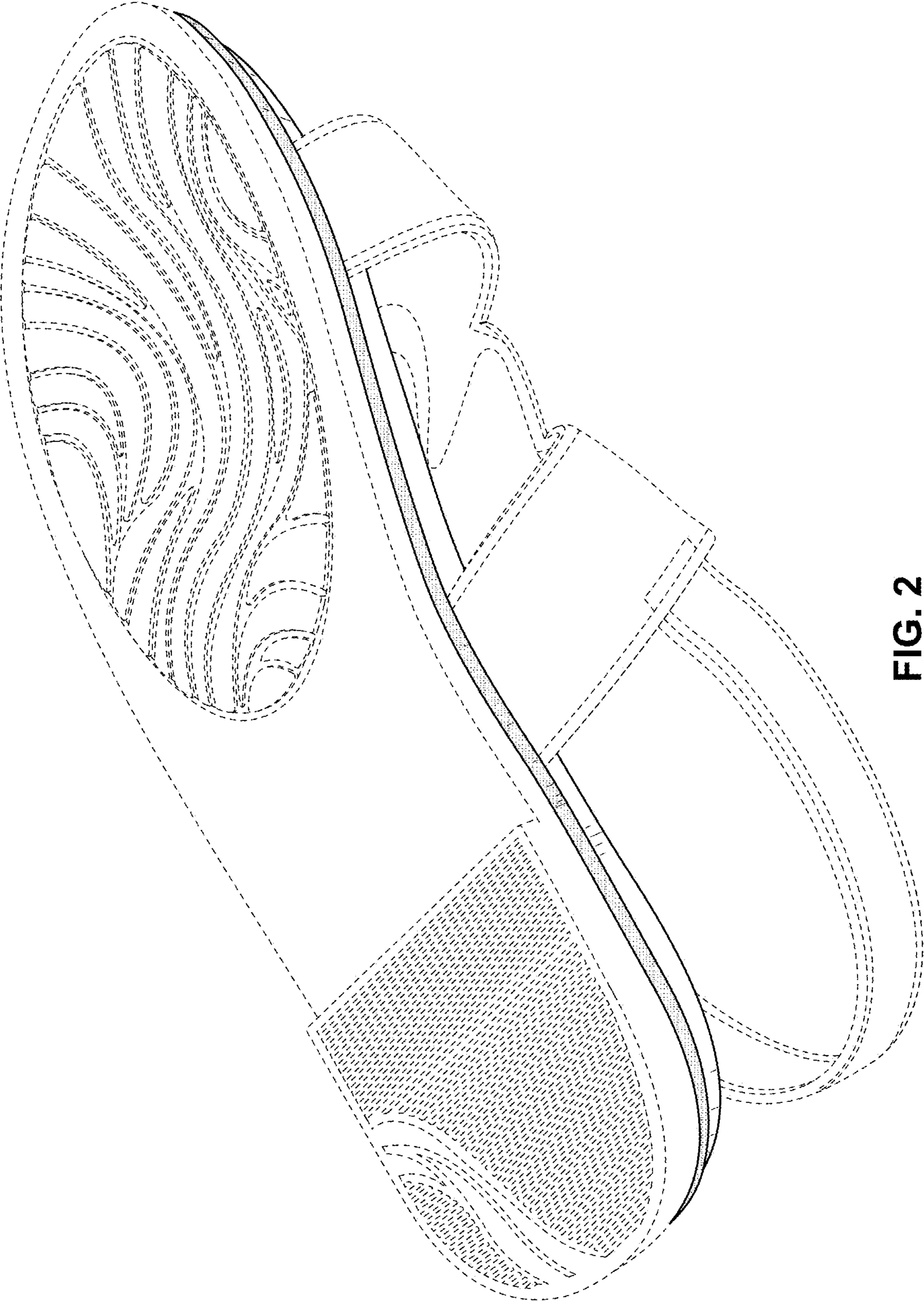


FIG. 2

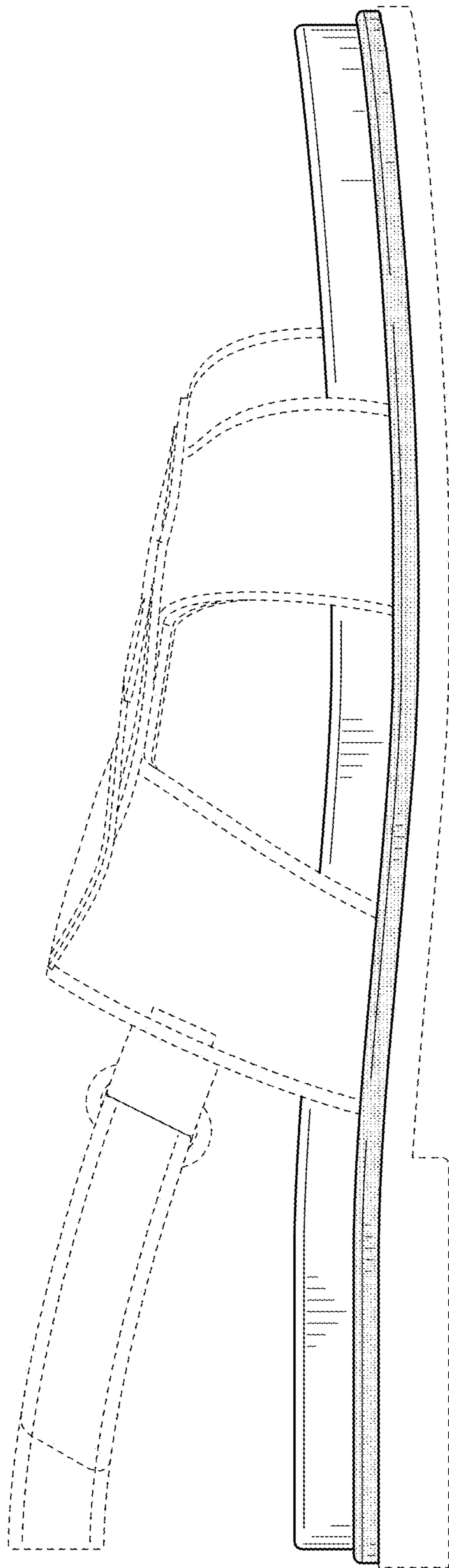


FIG. 3

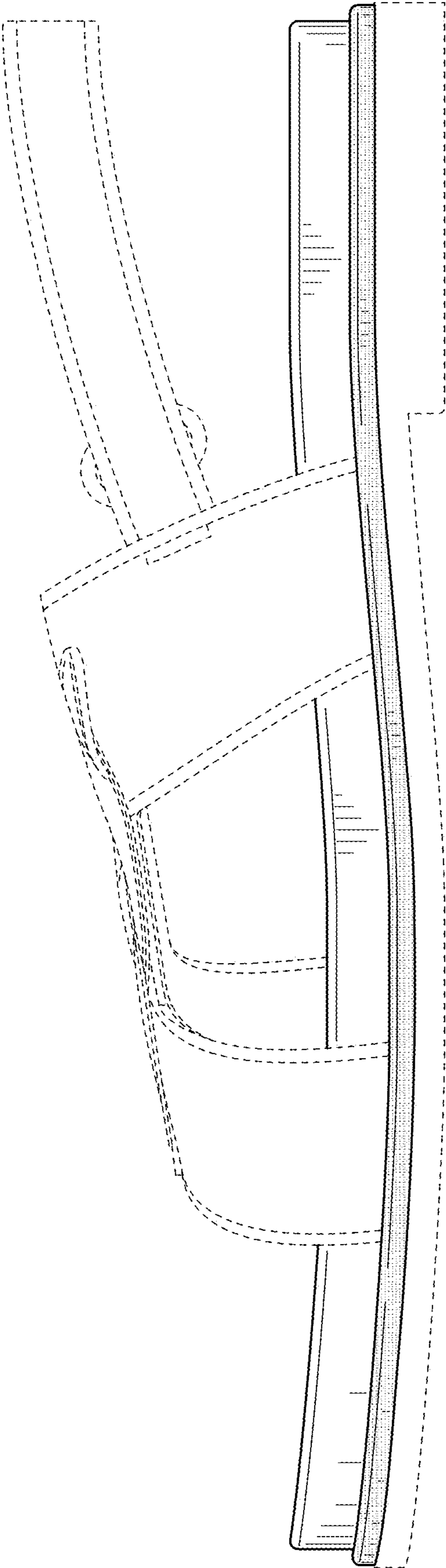


FIG. 4

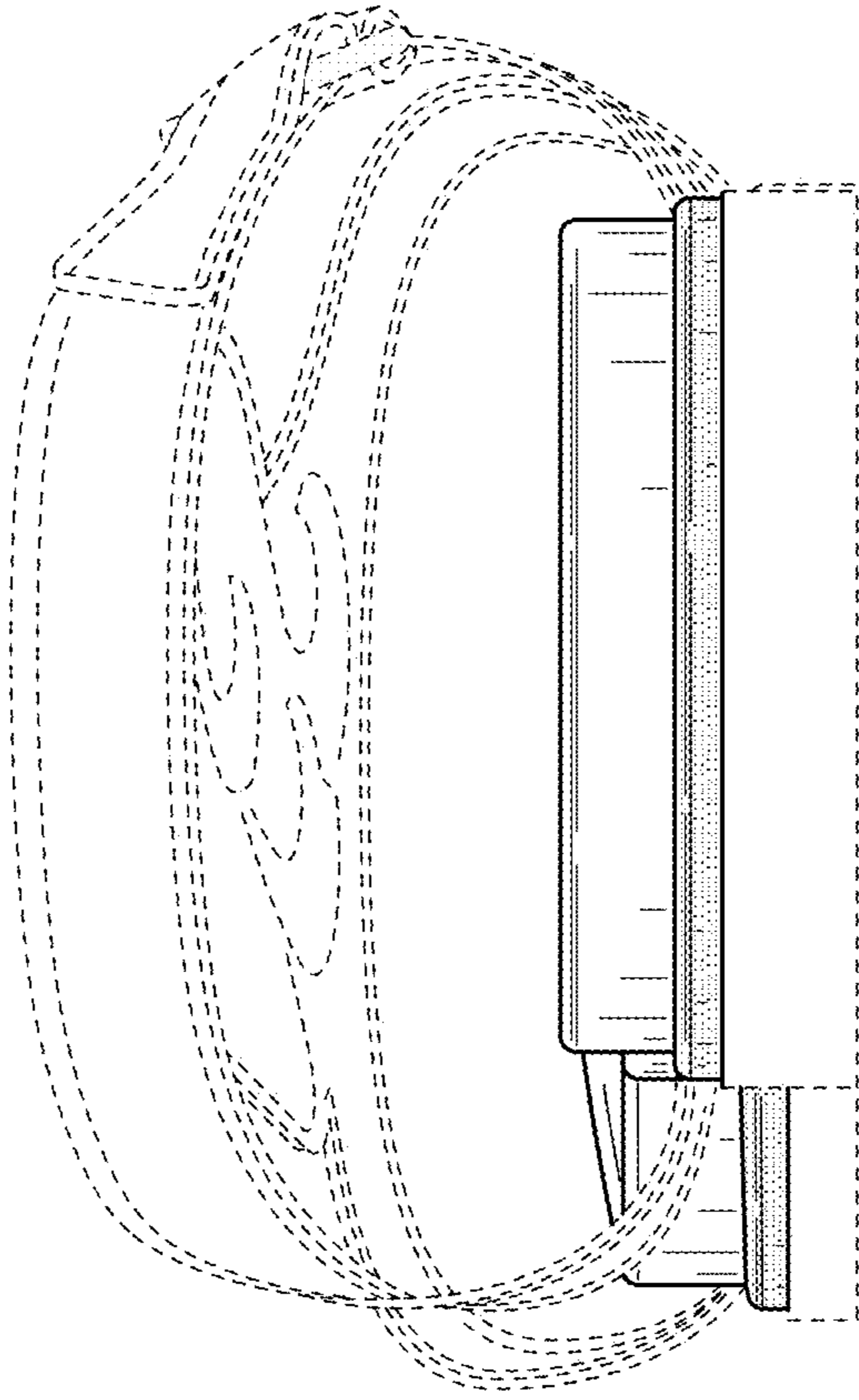


FIG. 5

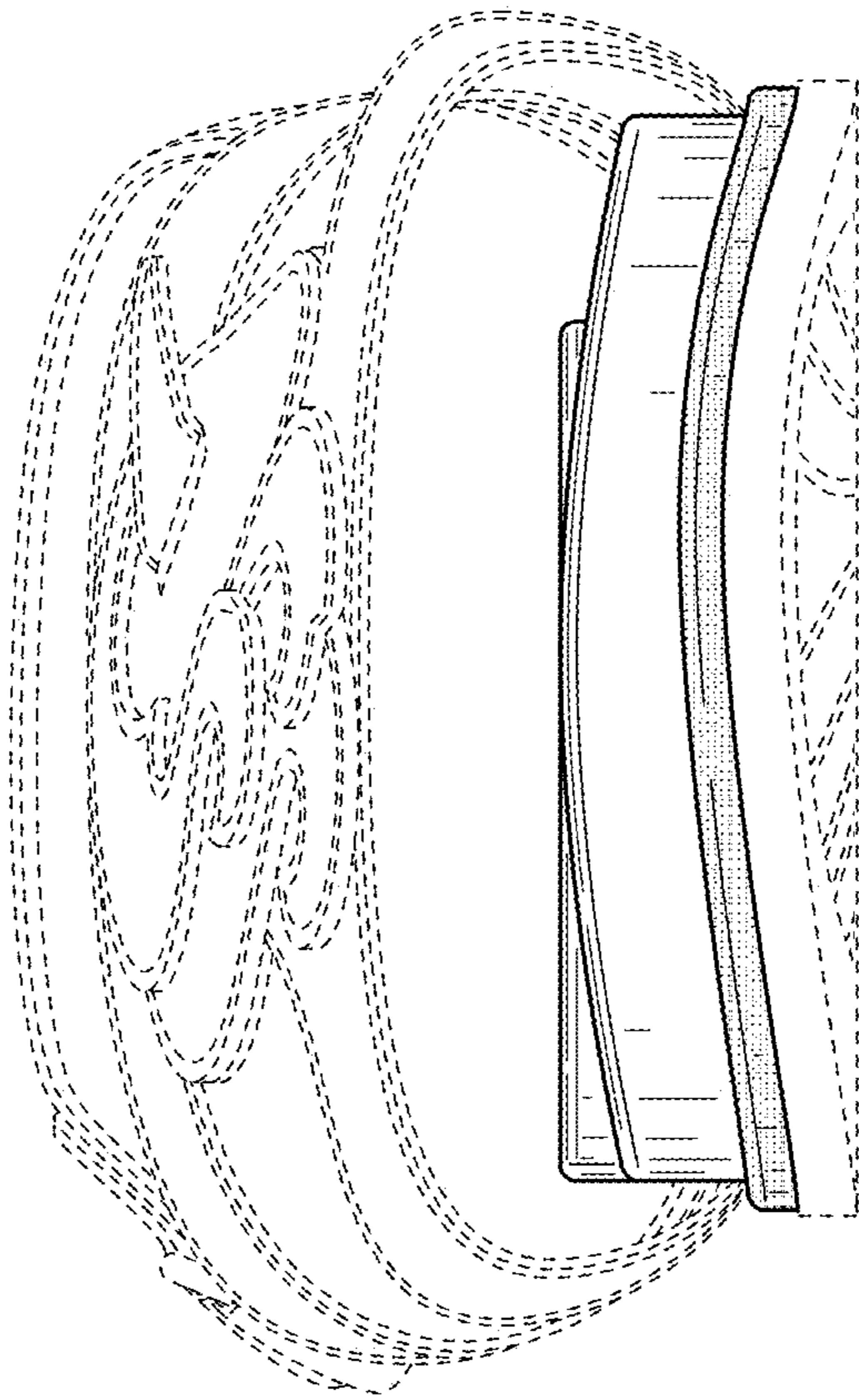


FIG. 6

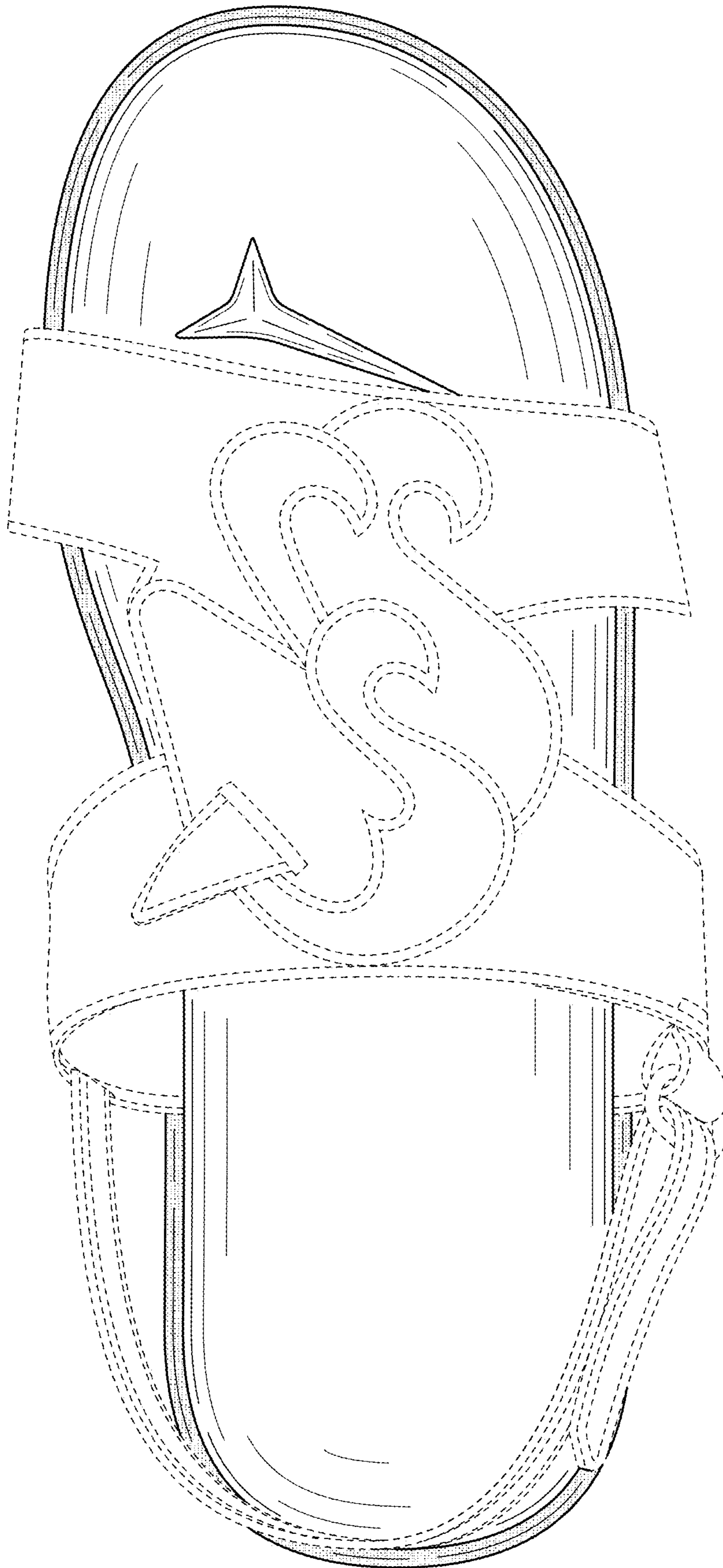


FIG. 7

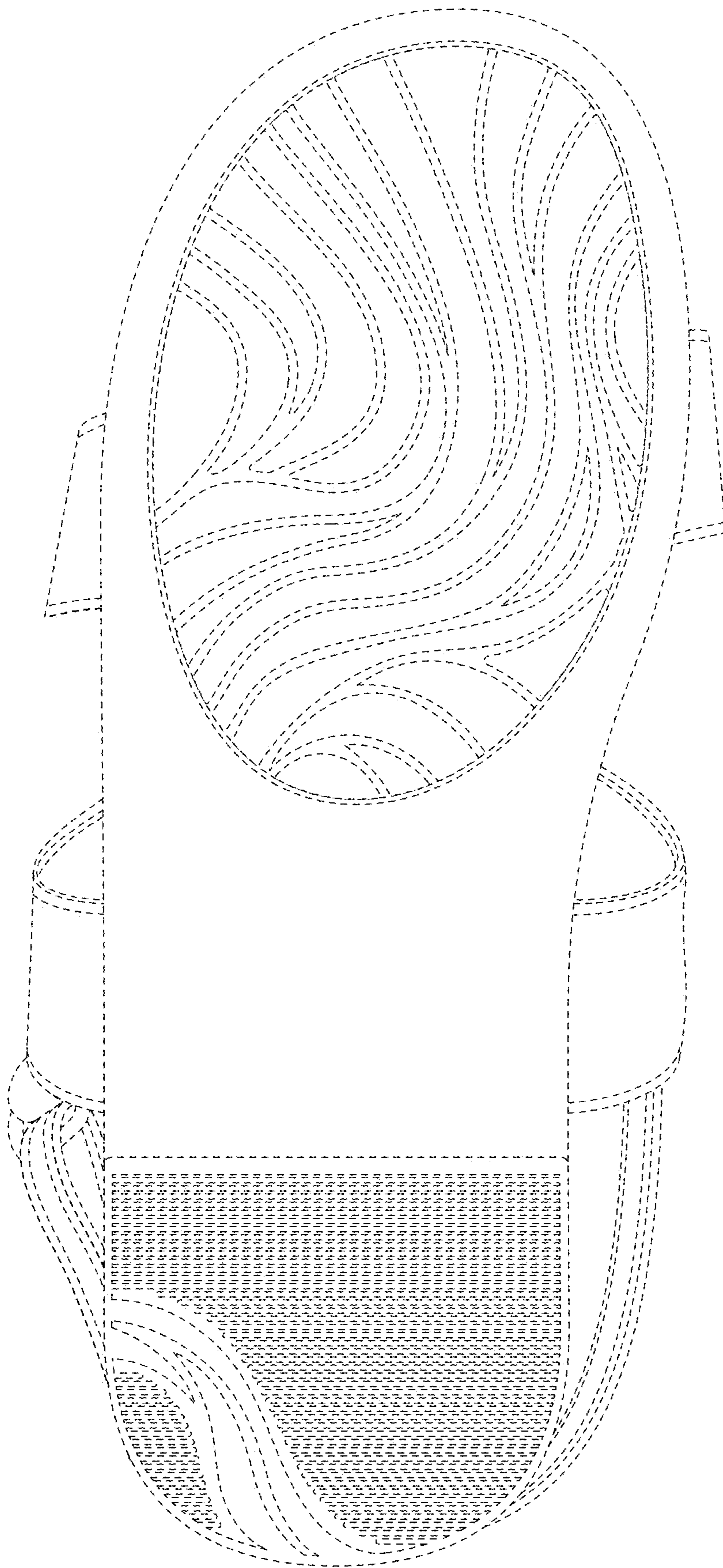


FIG. 8