



US00D985891S

(12) **United States Design Patent** (10) **Patent No.:** **US D985,891 S**
Shafovaloff (45) **Date of Patent:** **** May 16, 2023**

(54) **MIRROR FOR BICYCLISTS** 5,884,337 A * 3/1999 Dudley, Jr. A42B 1/24
2/244
(71) Applicant: **Thomas Edward Shafovaloff,** D459,573 S * 7/2002 Schechter D2/866
Scottsboro, AL (US) D526,473 S * 8/2006 Otterson D16/330
D729,502 S * 5/2015 Aldridge D2/895
(72) Inventor: **Thomas Edward Shafovaloff,** 9,723,886 B2 * 8/2017 Burse A42B 3/0426
Scottsboro, AL (US) D833,121 S * 11/2018 Darby D2/891
D892,469 S * 8/2020 Costenbader D2/891
D892,474 S * 8/2020 Jackson D2/895
(**) Term: **15 Years** 2013/0148220 A1 * 6/2013 Garrels A42B 3/0426
359/880
2016/0363739 A1 * 12/2016 Shafovaloff G02B 7/1824

(21) Appl. No.: **29/787,877**

(22) Filed: **Jun. 9, 2021**

(51) **LOC (14) Cl.** **02-03**

(52) **U.S. Cl.**
USPC **D2/891; D12/187**

(58) **Field of Classification Search**
USPC D2/865, 866, 869, 872, 882, 891, 892,
D2/893, 895; D12/187, 188, 189;
D16/307, 309, 310, 314, 340; D29/102,
D29/103, 104, 109, 122, 129
CPC A42B 3/22; A42B 3/221; A42B 3/227;
A42B 3/0426; A42B 1/00; A42B 1/004;
A42B 1/006; A42B 1/062; A42B 1/064;
A42B 1/065; A42B 1/24; A42B 1/247;
A61F 9/04
See application file for complete search history.

(56) **References Cited**

U.S. PATENT DOCUMENTS

D284,462 S * 7/1986 Greenlaw D12/189
D331,902 S * 12/1992 Greenlaw D12/189
D378,159 S * 2/1997 Mulkey D12/189

* cited by examiner

Primary Examiner — Jasmine Mlinarcik

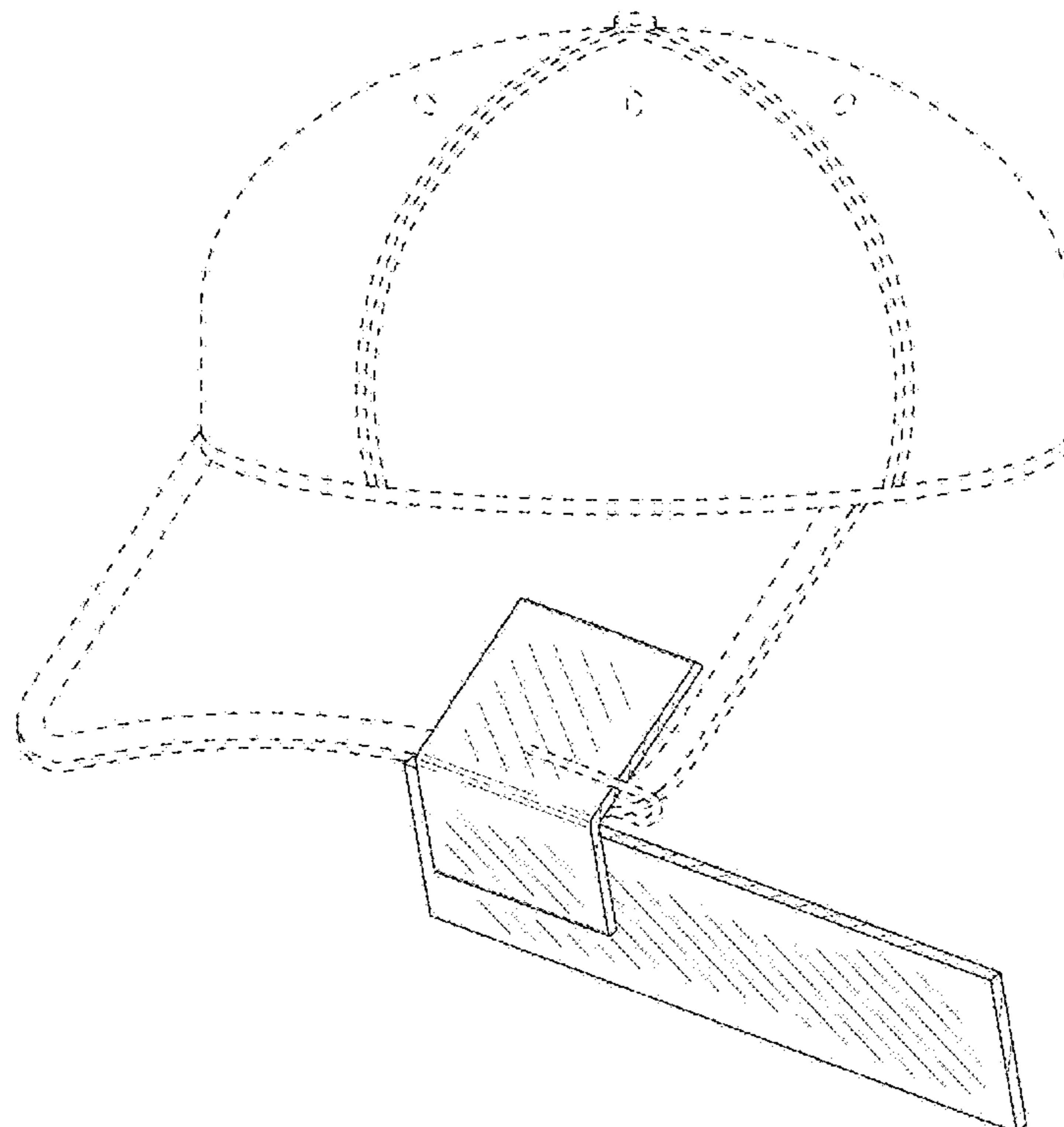
(57) **CLAIM**

The ornamental design for a mirror for bicyclists, as shown and described.

DESCRIPTION

FIG. 1 is a perspective view of a mirror for bicyclists showing my new design;
FIG. 2 is a rear perspective view thereof;
FIG. 3 is a rear view thereof;
FIG. 4 is a front elevation view thereof;
FIG. 5 is a side elevation view thereof;
FIG. 6 is an opposite side elevation view thereof;
FIG. 7 is a top view thereof; and,
FIG. 8 is a bottom view thereof.
The broken line outlines of the hat and clip in FIG. 1 depict the environment associated with the claimed design to show the claimed design in use, but forms no part of the claimed design.

1 Claim, 5 Drawing Sheets



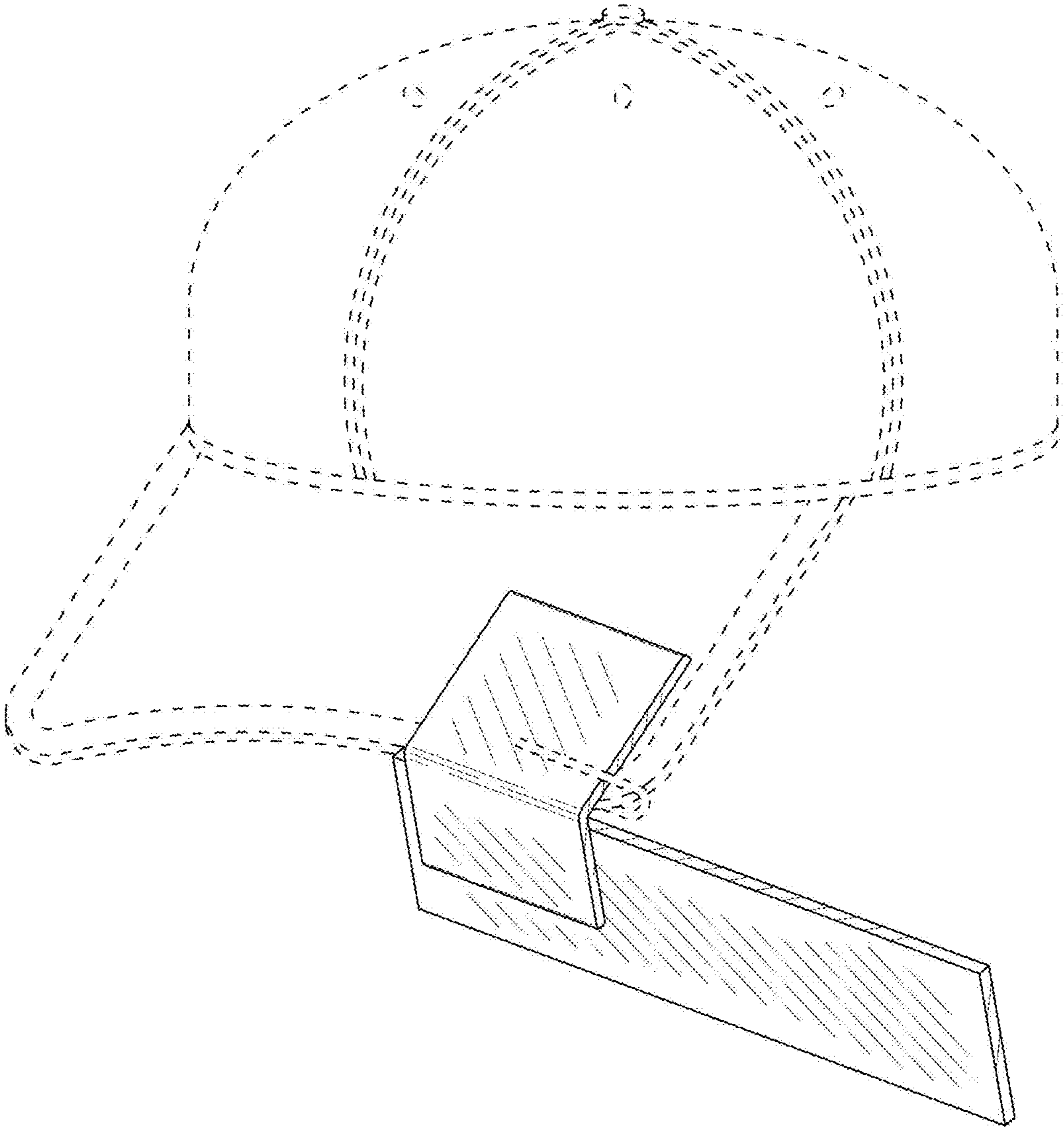


FIG. 1

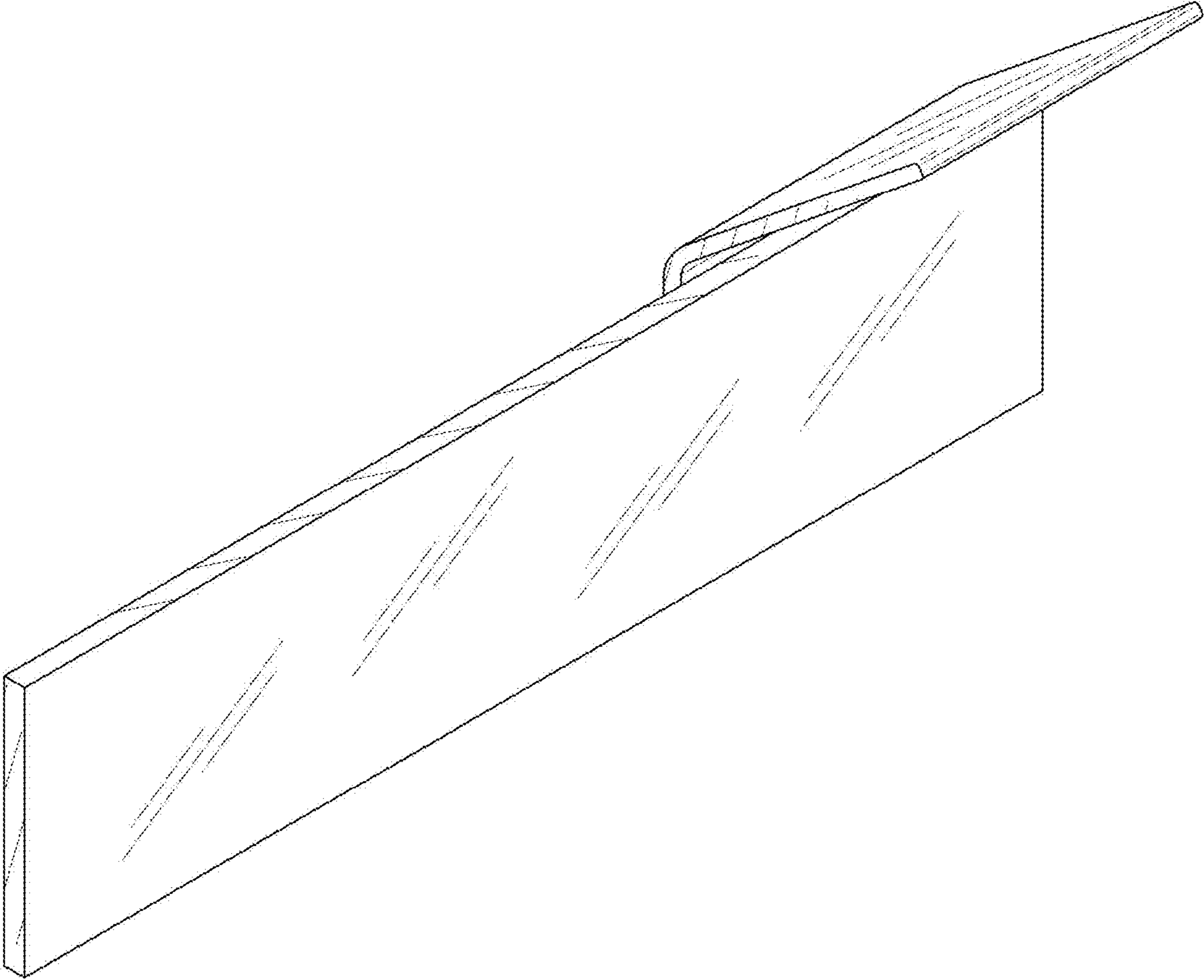


FIG. 2

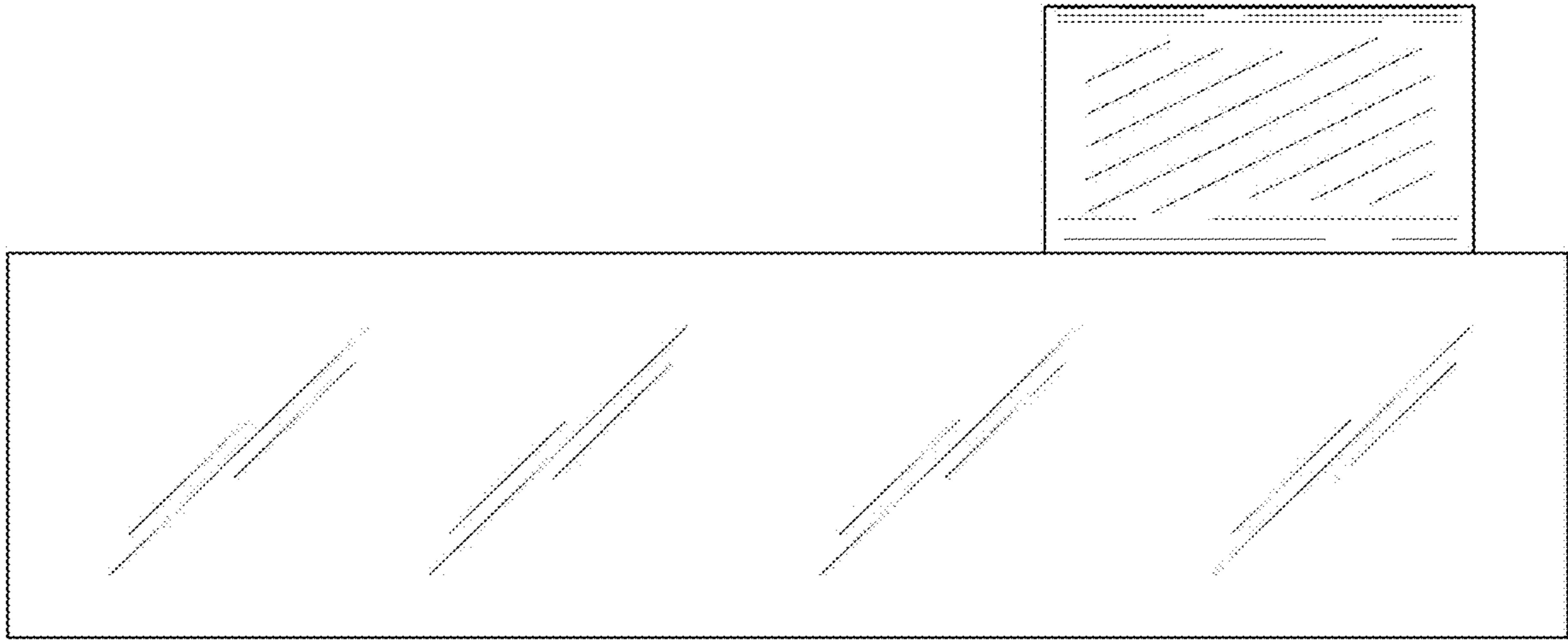


FIG. 3

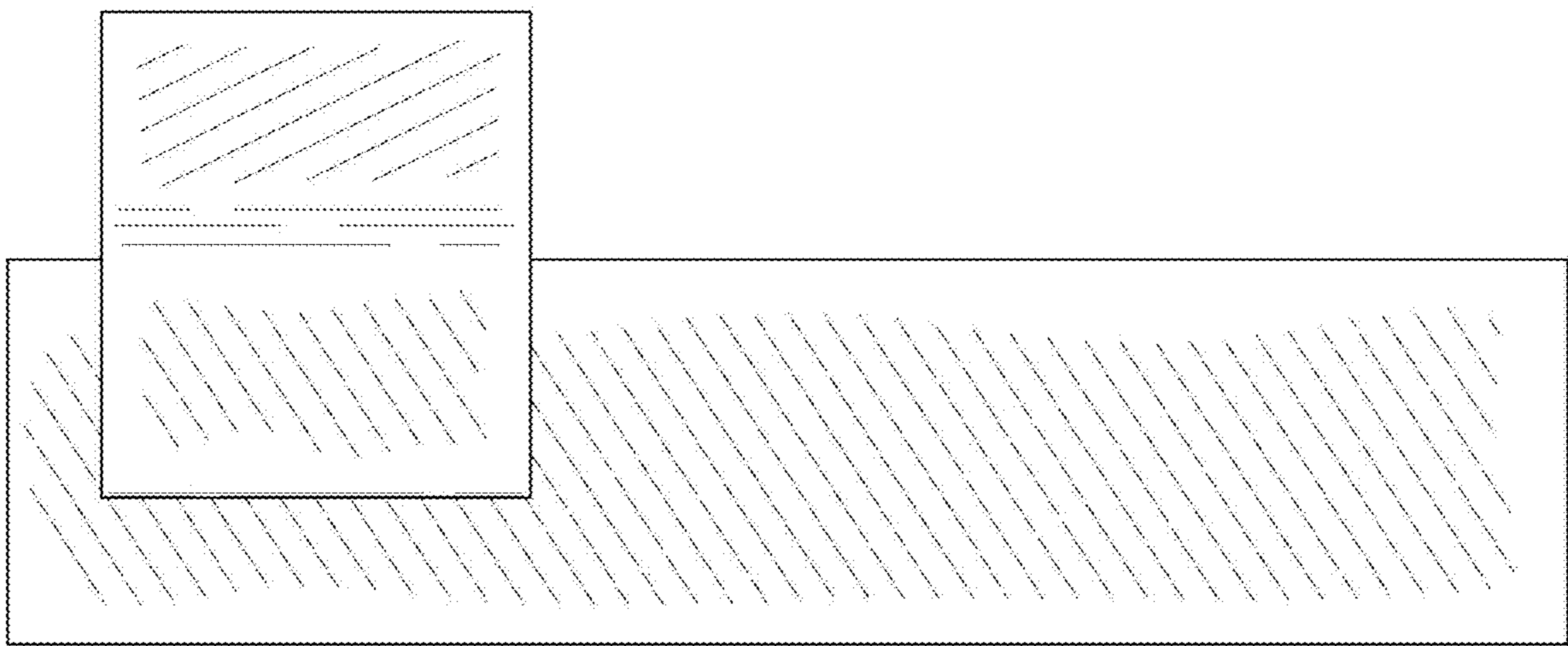


FIG. 4

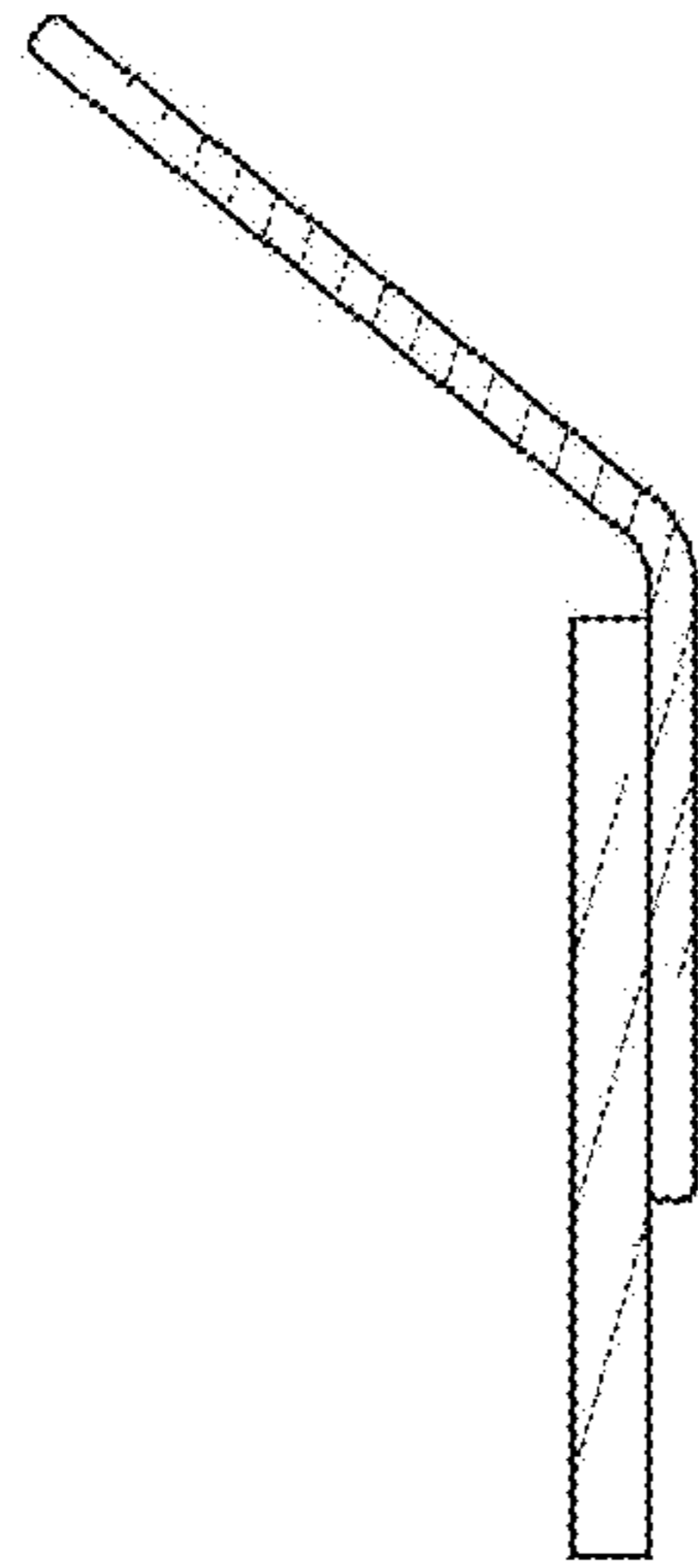


FIG. 5

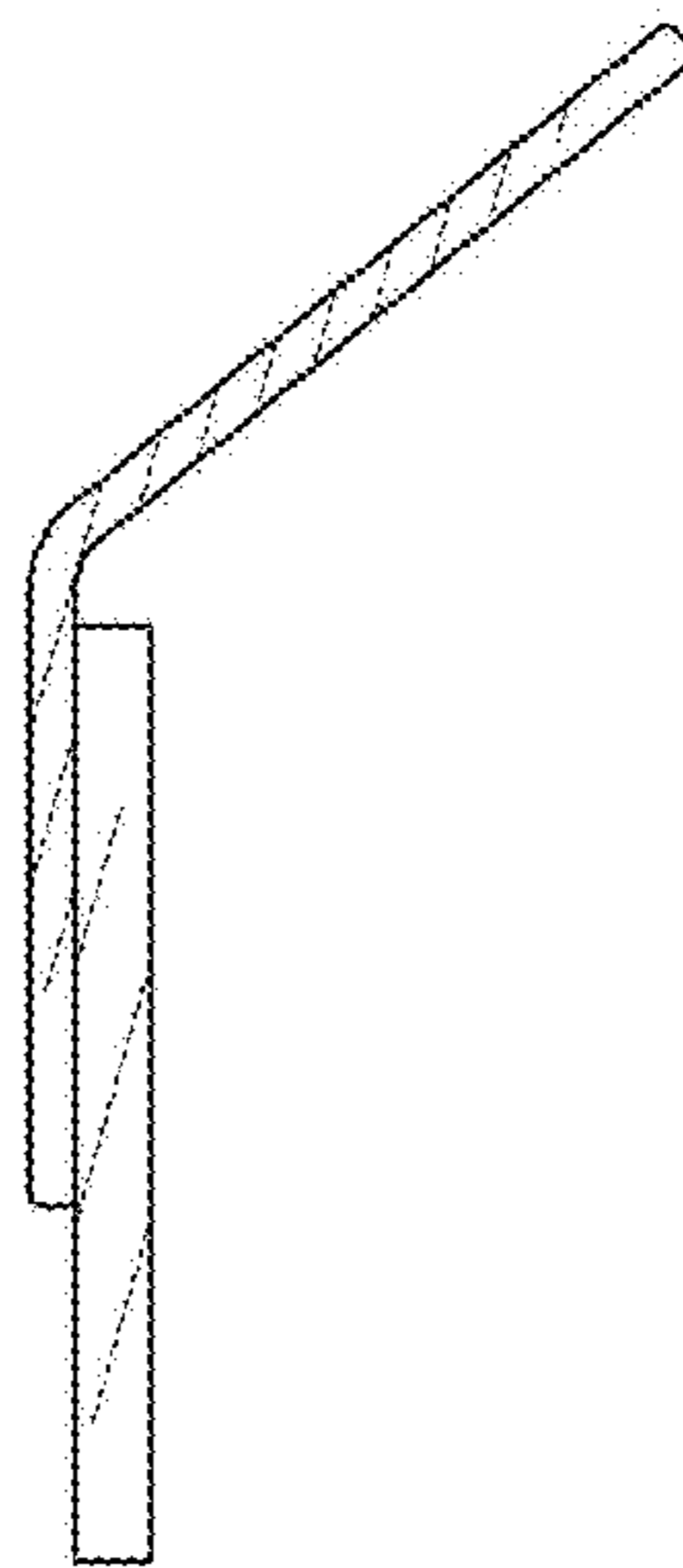


FIG. 6

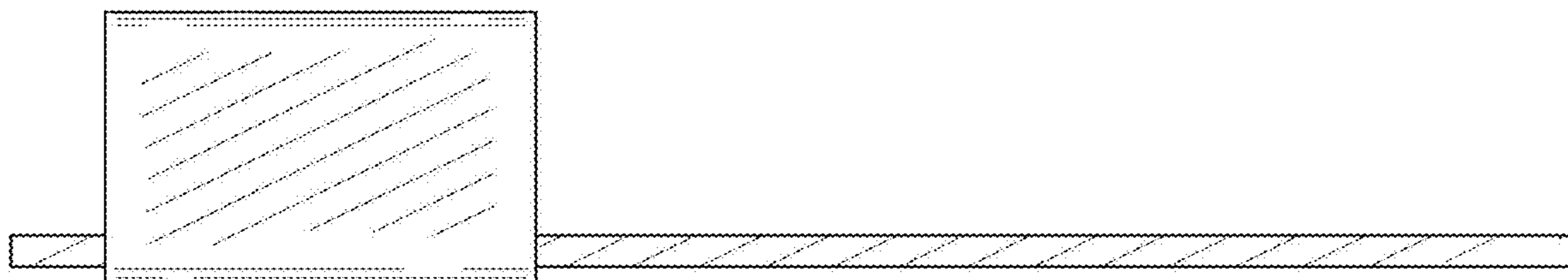


FIG. 7

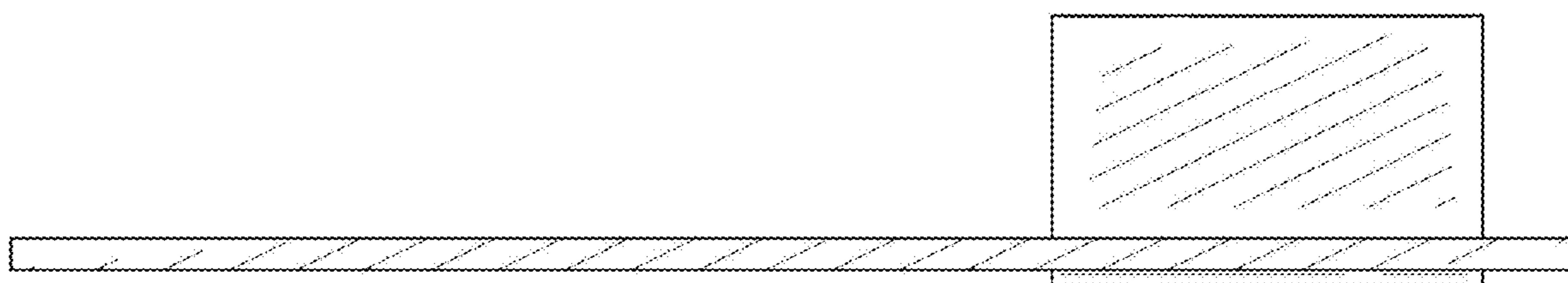


FIG. 8