



(56)

**References Cited**

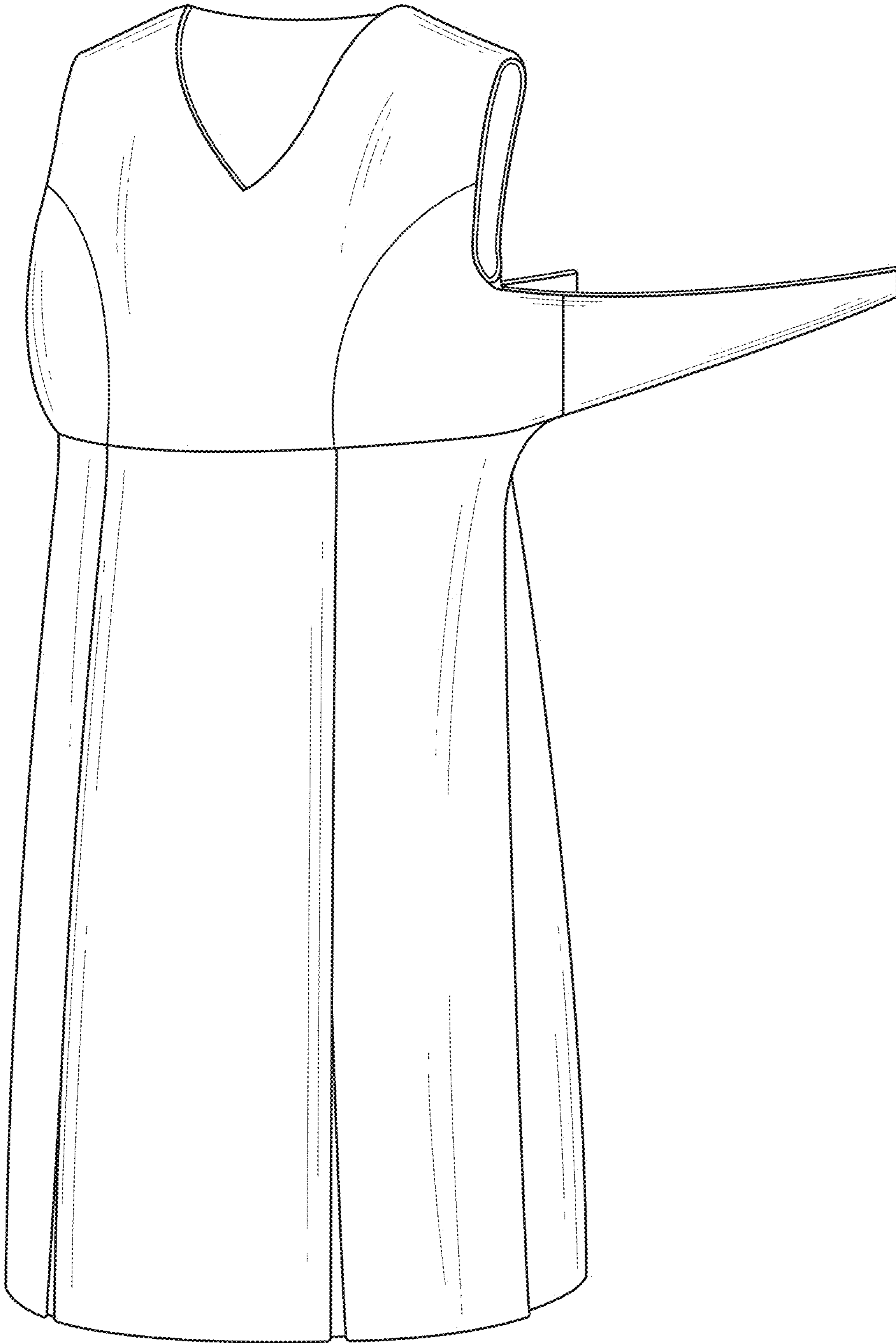
U.S. PATENT DOCUMENTS

D831,934 S \* 10/2018 Lee ..... D2/739  
D846,233 S \* 4/2019 Gartner ..... D2/720  
D866,921 S \* 11/2019 Gartner ..... D2/720  
D874,092 S \* 2/2020 Memis ..... D2/724  
D928,454 S \* 8/2021 Foster ..... D2/720  
D929,077 S \* 8/2021 Gartner ..... D2/720  
D938,138 S \* 12/2021 Hwang ..... D2/756  
11,523,640 B2 \* 12/2022 Wallace ..... A41C 3/0057

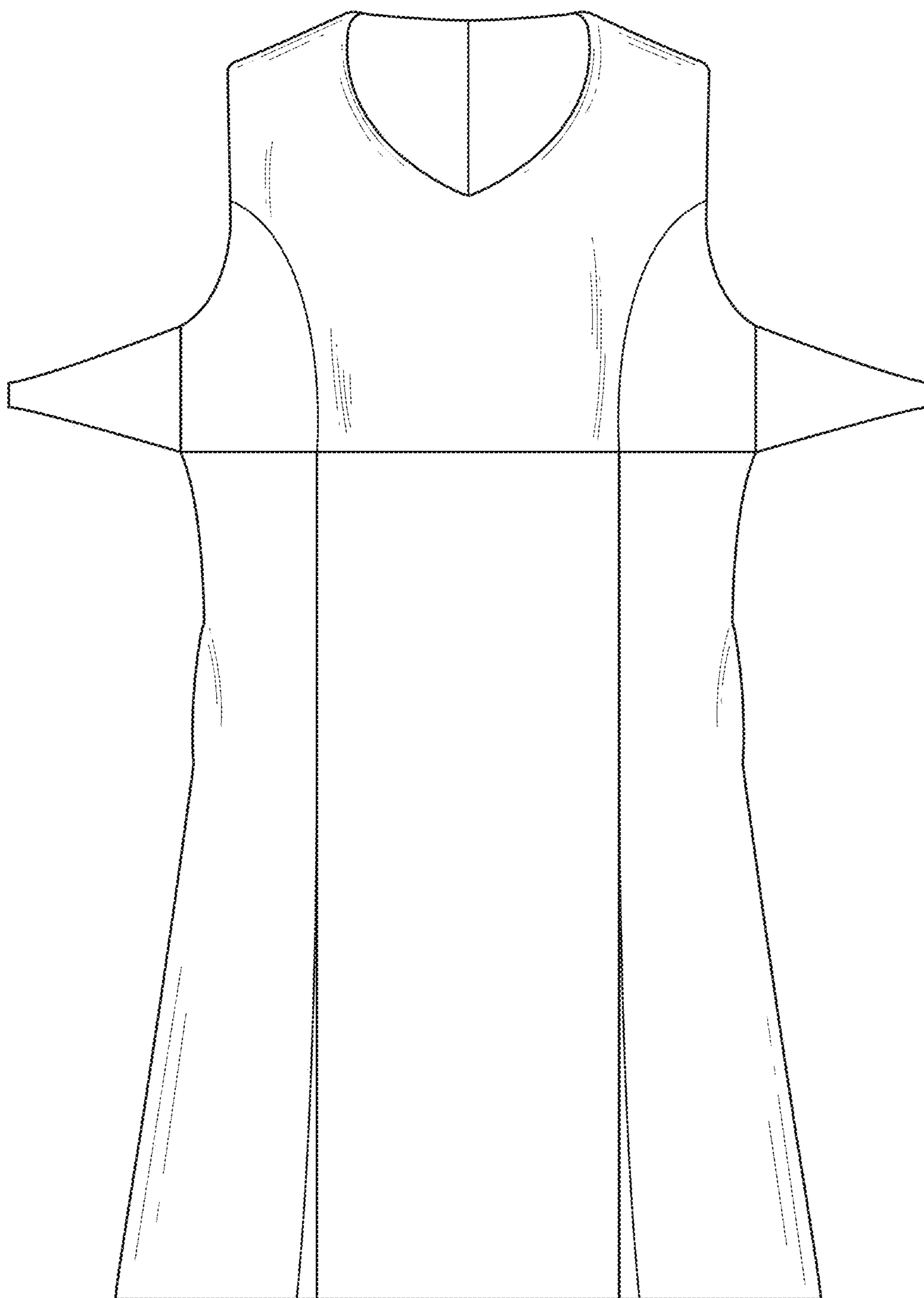
OTHER PUBLICATIONS

A.Dasi Women Convertible Multi Way Dress posted to amazon.com. Available date: Nov. 10, 2020 [site visited Dec. 16, 2022]  
Available: <<https://www.amazon.com/dasi-Convertible-Backless-Wedding-Cocktail/dp/B0BMLFMP82>> (Year: 2020).\*

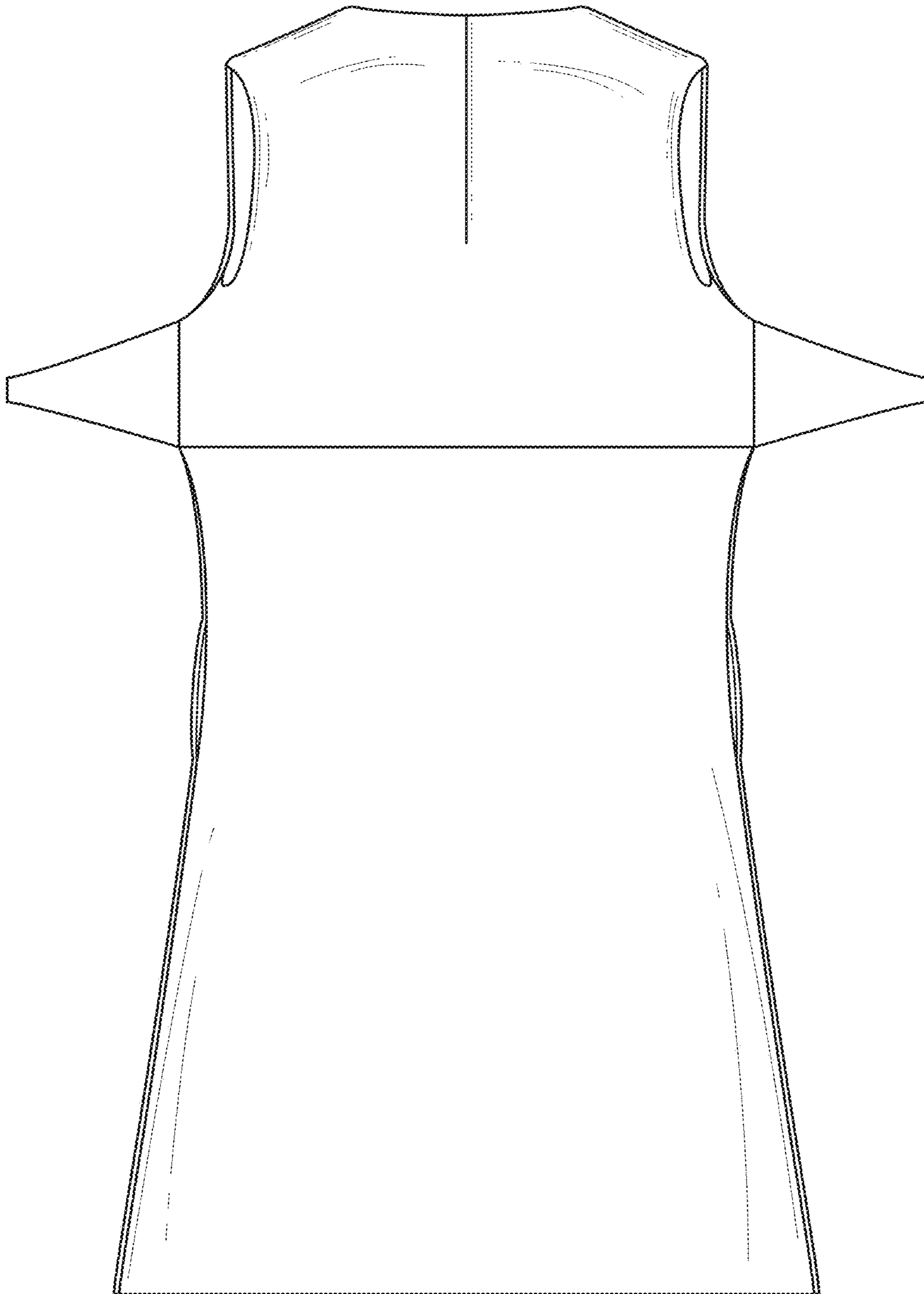
\* cited by examiner



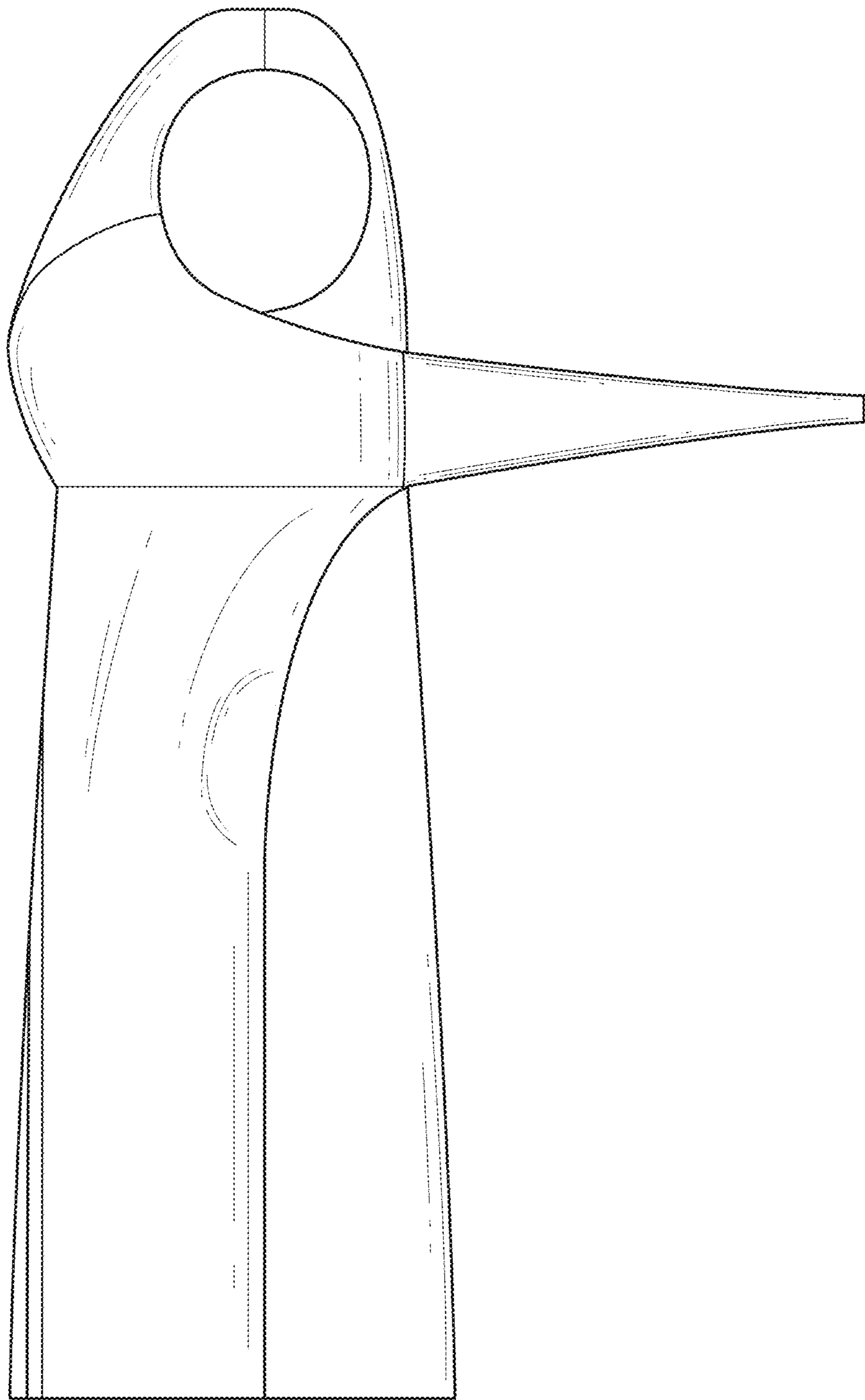
*Fig. 1*



*Fig. 2*

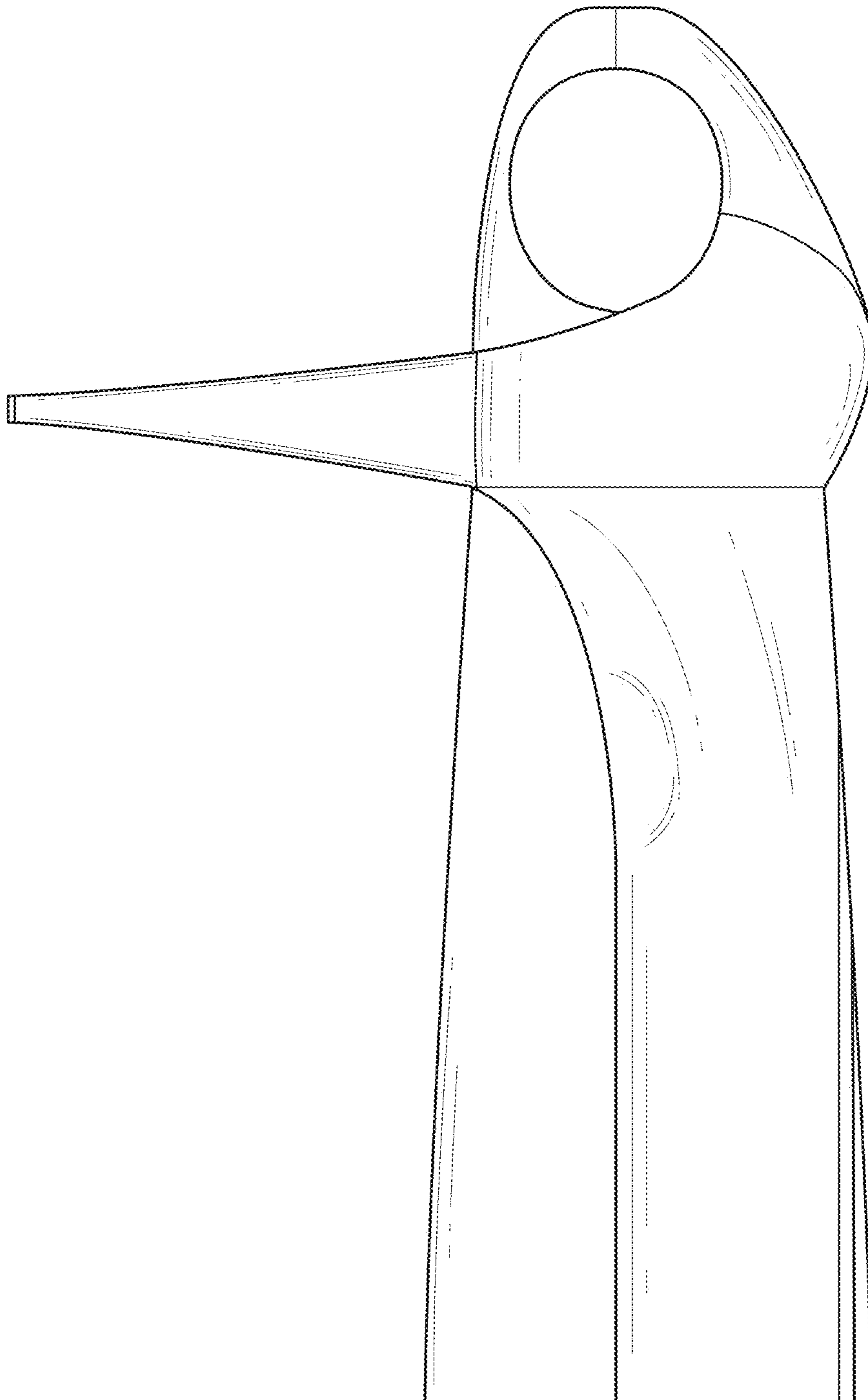


*Fig. 3*



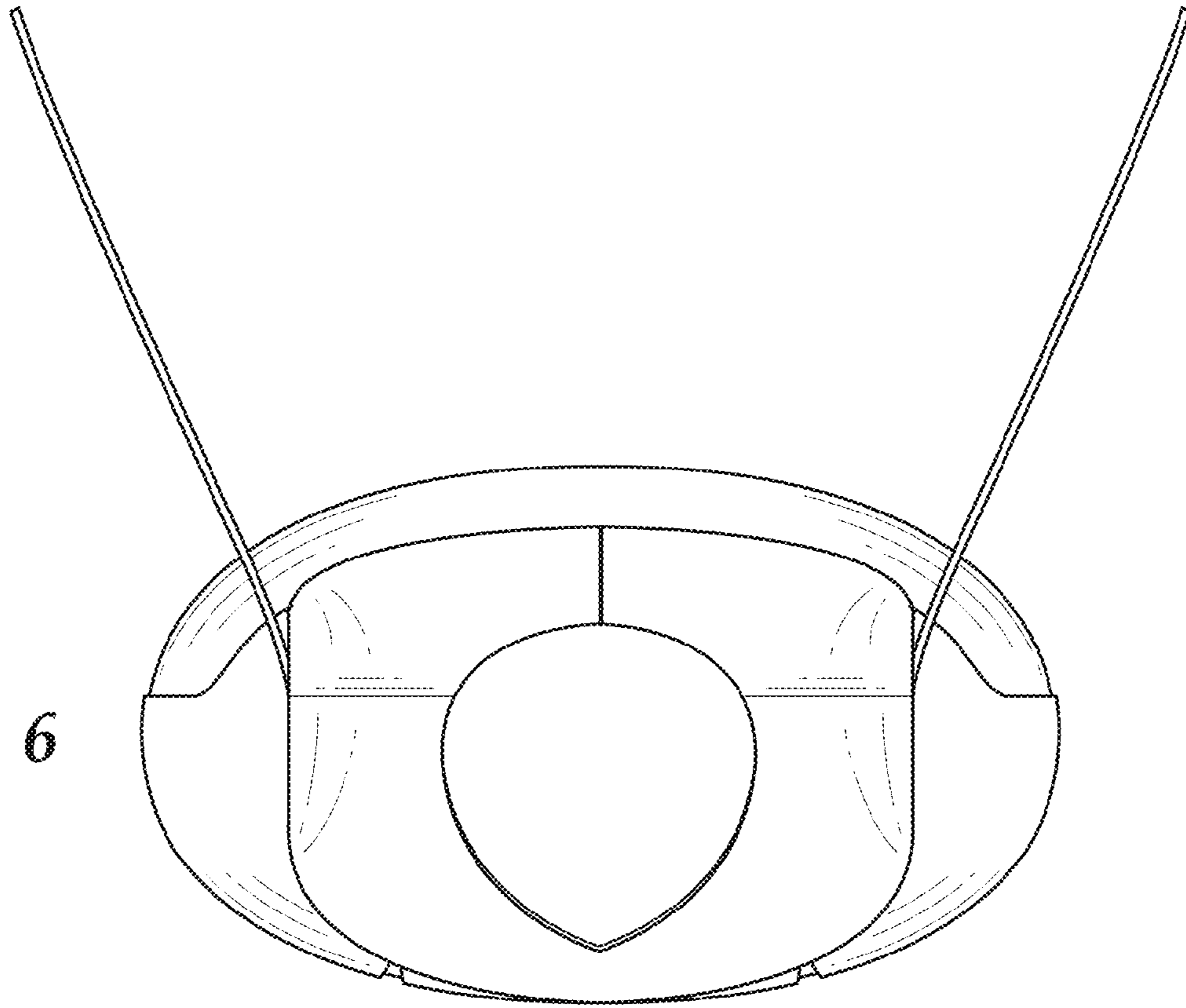
*Fig. 4*



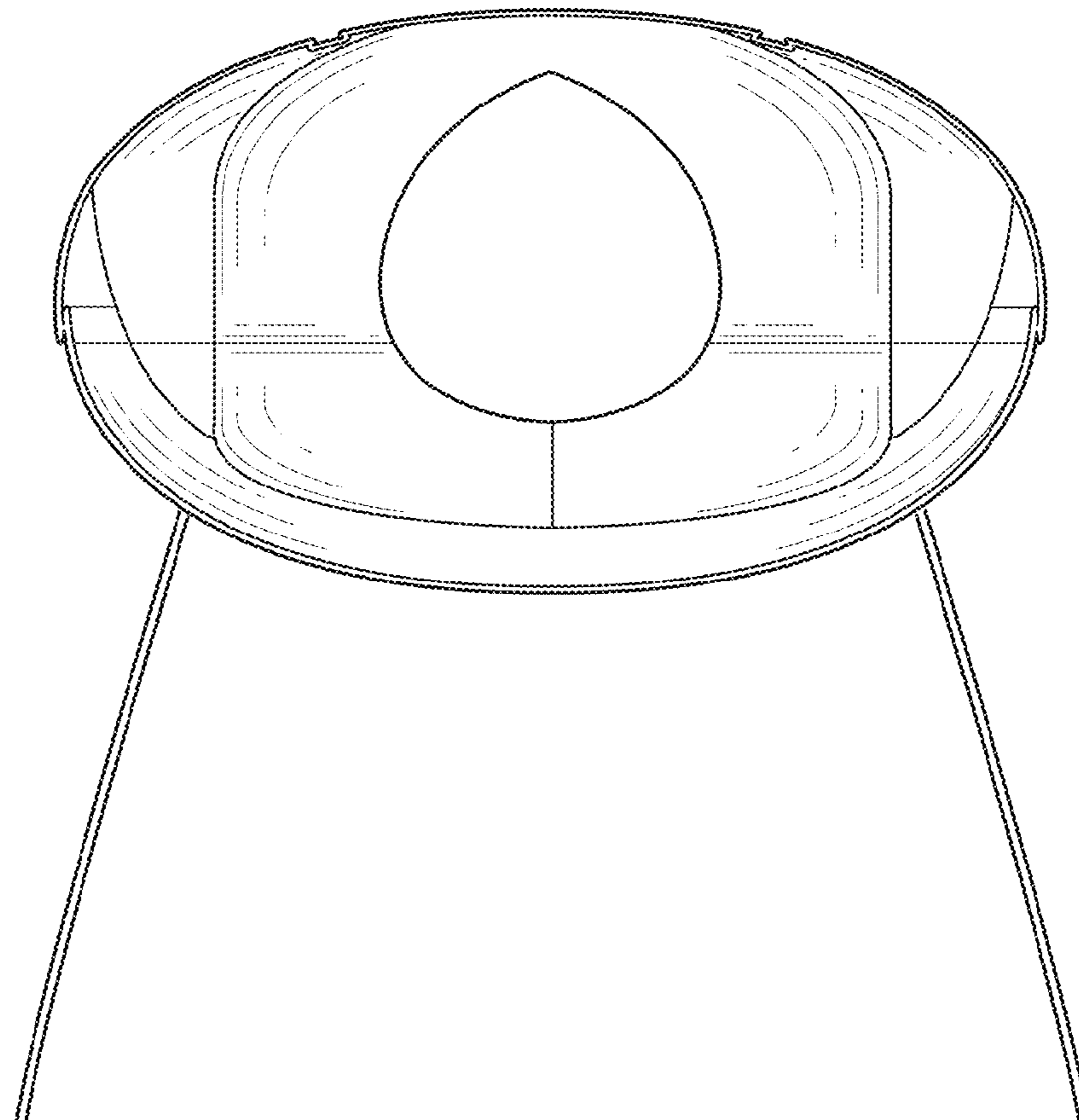


*Fig. 5*

*Fig. 6*



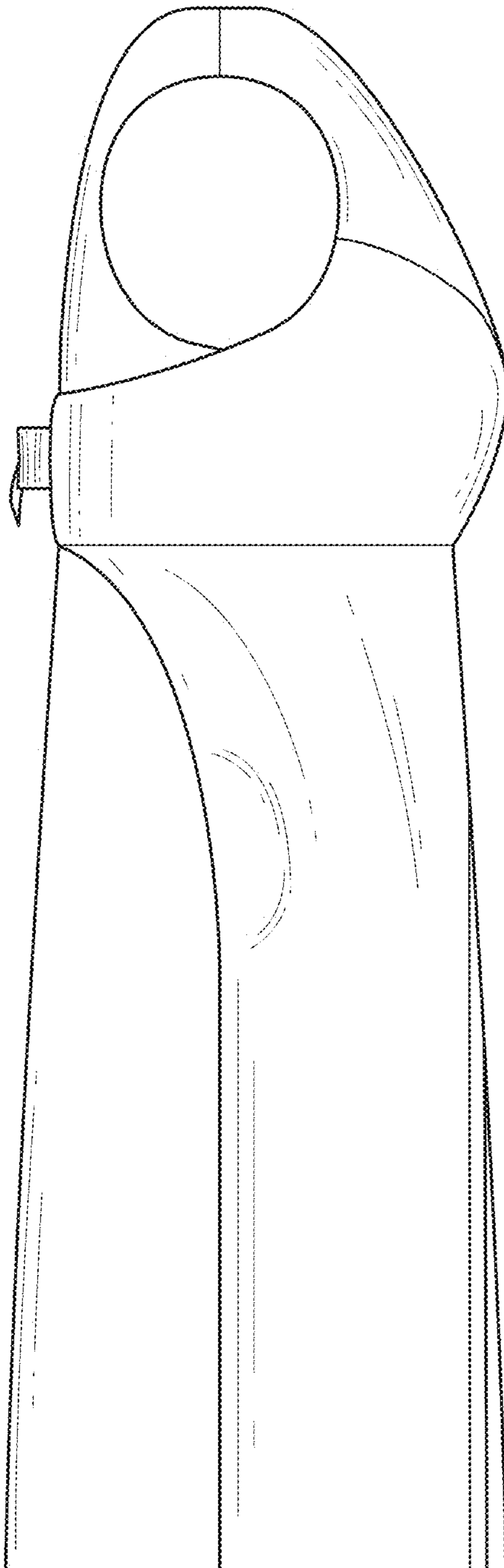
*Fig. 7*



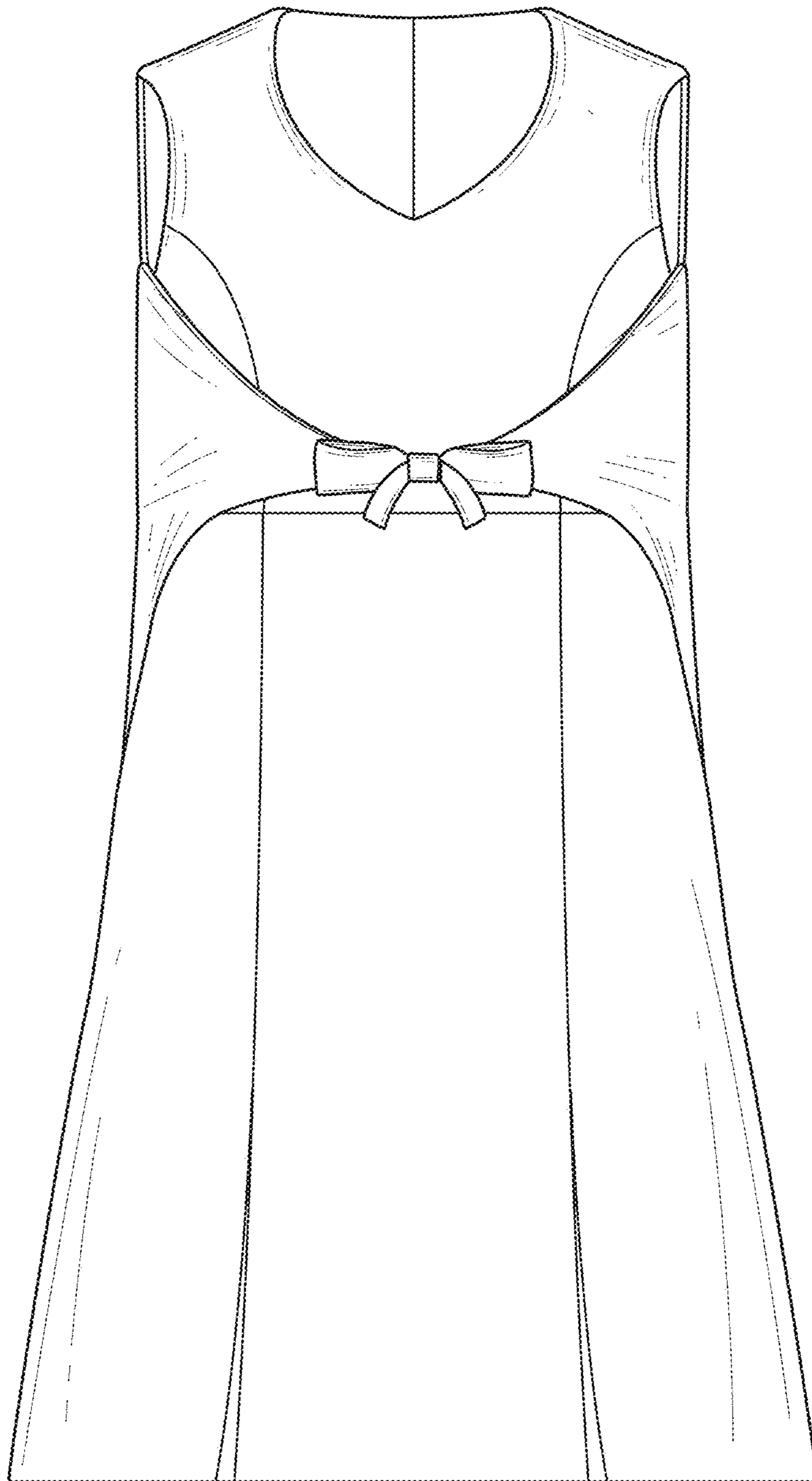




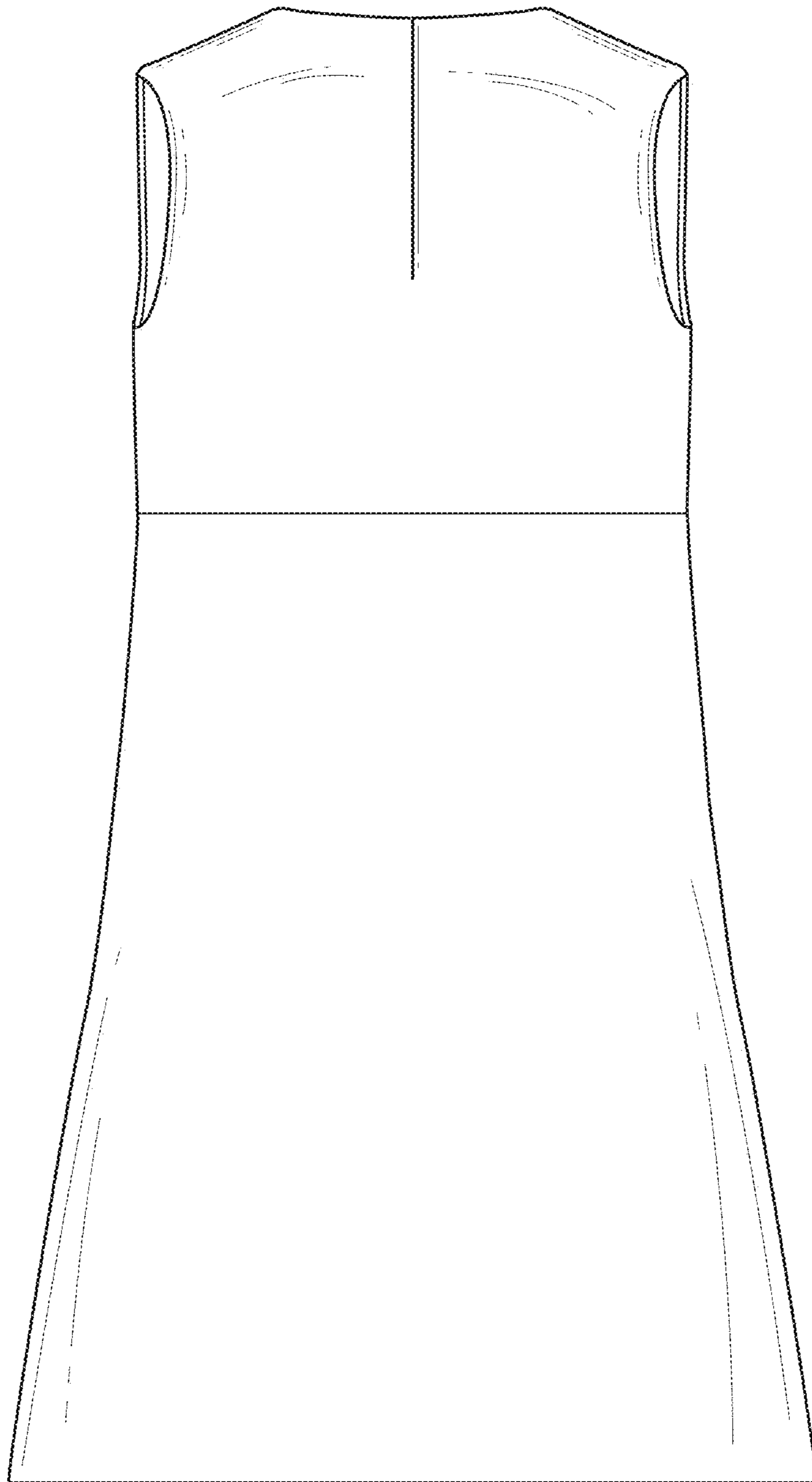
*Fig. 8*



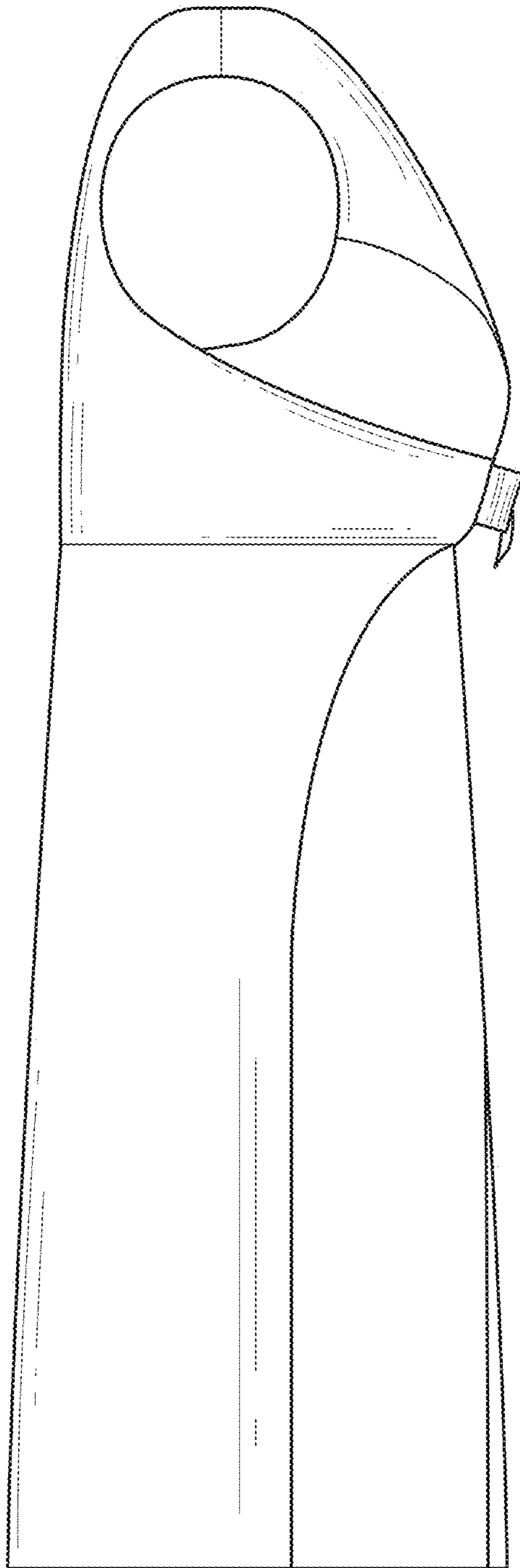
*Fig. 9*



*Fig. 10*



*Fig. 11*



*Fig. 12*