



US00D985879S

(12) **United States Design Patent** (10) **Patent No.:** **US D985,879 S**  
**Cai** (45) **Date of Patent:** **\*\* May 16, 2023**

(54) **BRA**  
(71) Applicant: **Yongguang Cai**, Shenzhen (CN)  
(72) Inventor: **Yongguang Cai**, Shenzhen (CN)  
(\*\*) Term: **15 Years**  
(21) Appl. No.: **29/841,681**  
(22) Filed: **Jun. 8, 2022**  
(51) **LOC (14) Cl.** ..... **02-01**  
(52) **U.S. Cl.**  
USPC ..... **D2/706**  
(58) **Field of Classification Search**  
USPC ..... D2/500, 700, 703, 706, 707, 708, 709,  
D2/731, 840  
CPC ..... A41C 3/0057  
See application file for complete search history.

**OTHER PUBLICATIONS**

Va Bien womens Padded, announced Aug. 13, 2013 [online], [site visited Nov. 21, 2022]. Available from internet, URL: <<https://www.amazon.com/Va-Bien-Marquise-Plunge-Longline/dp/B00BZV4YCI/>> (Year: 2013).\*

(Continued)

*Primary Examiner* — Kevin K Rudzinski  
*Assistant Examiner* — Amber J Rabie  
(74) *Attorney, Agent, or Firm* — Rumit Ranjit Kanakia

(57) **CLAIM**

The ornamental design for a bra, as shown and described.

(56) **References Cited**

**U.S. PATENT DOCUMENTS**

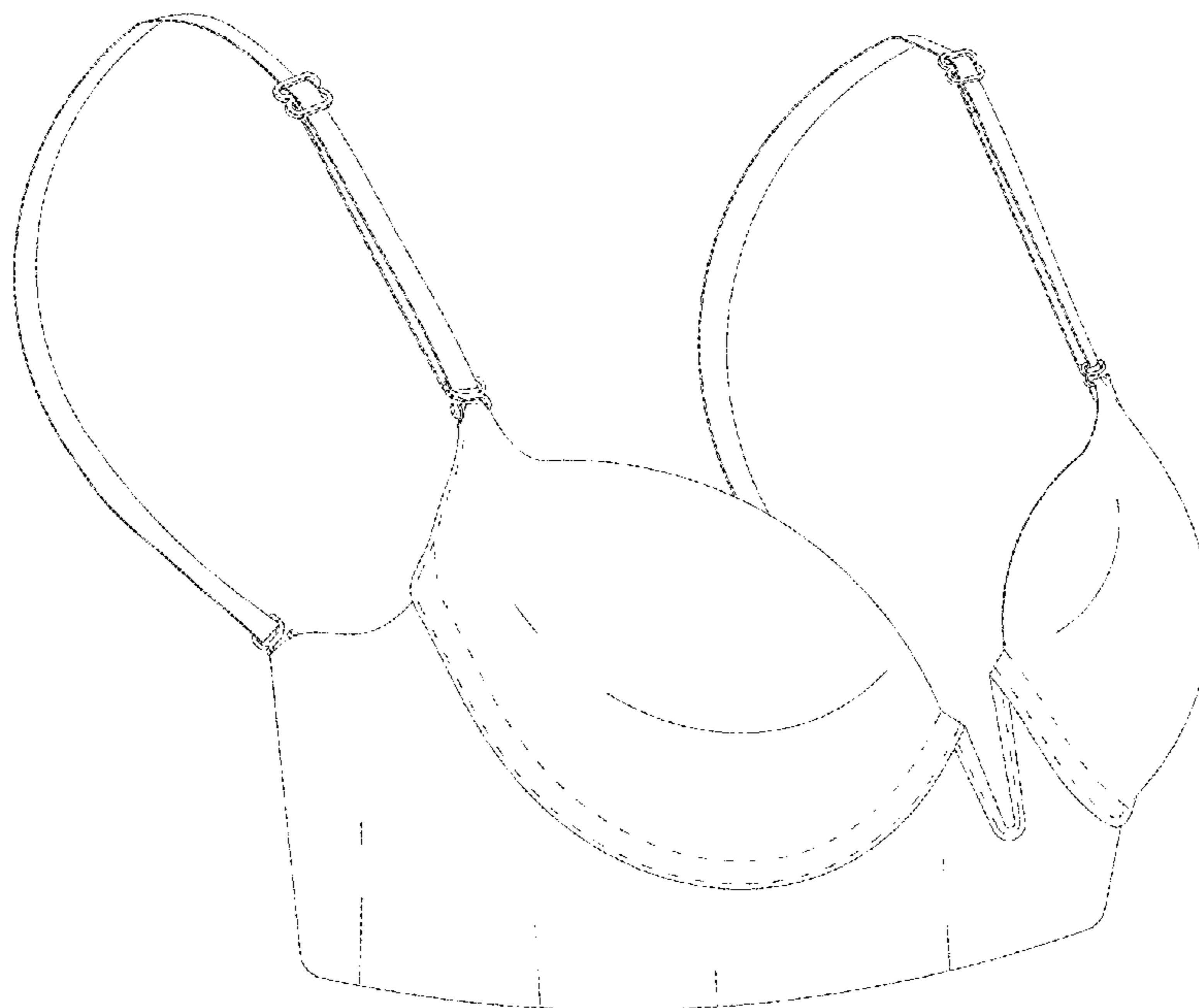
1,970,920	A *	8/1934	Roth	.....	A41C 3/00 450/48
2,417,687	A *	3/1947	Hunau	.....	A41C 3/124 D2/709
2,436,094	A *	2/1948	Bowen	.....	A41C 3/124 450/48
D150,383	S *	7/1948	Van Leuven, Jr.	.....	D2/708
2,454,154	A *	11/1948	Glick	.....	A41C 3/0007 450/83
2,539,396	A *	1/1951	Basch	.....	A41C 3/124 D2/709
2,923,300	A *	2/1960	Ots	.....	A41C 3/122 D2/708
2,954,031	A *	9/1960	Froehlich	.....	A41C 3/06 450/48
5,171,182	A *	12/1992	Heinen	.....	A41C 3/00 450/47
D579,627	S *	11/2008	Deal	.....	A41C 3/124 D2/706
D630,816	S *	1/2011	Baramki	.....	B32B 7/05 D2/706

(Continued)

**DESCRIPTION**

FIG. 1 is a front perspective view of a bra showing my new design;  
FIG. 2 is a front view thereof;  
FIG. 3 is a rear view thereof;  
FIG. 4 is a right side view thereof;  
FIG. 5 is a left side view thereof;  
FIG. 6 is a top view thereof;  
FIG. 7 is a rear view of a bra showing the straps in a crossed position;  
FIG. 8 is another perspective view of a bra showing the straps in a crossed position;  
FIG. 9 is rear view of a bra showing the straps in a parallel position; and,  
FIG. 10 is another perspective view of a bra showing the straps in a parallel position.  
Broken lines in the drawings depict stitching on the bra that form no part of the claimed design. The long-dashed lines depict environmental subject matter that form no part of the claimed design.

**1 Claim, 10 Drawing Sheets**



(56)

**References Cited**

U.S. PATENT DOCUMENTS

D643,179 S *	8/2011	Naughton .....	A41C 3/122 D2/708
D658,353 S	5/2012	Cage et al.	
D804,779 S	12/2017	Shaham	
D844,932 S	4/2019	Bastug	
D860,582 S	9/2019	Jameson	
D863,722 S	10/2019	Liu	
D908,311 S	1/2021	Stoldt	
D913,631 S *	3/2021	Dudillieu .....	A41C 3/0014 D2/706
2006/0281389 A1 *	12/2006	Liu .....	A41C 3/0014 450/1
2017/0226691 A1 *	8/2017	Farmer .....	A41C 3/00 450/48

OTHER PUBLICATIONS

Gossard Women's Retrolution VIP Padded Staylo Bra, announced Jun. 17, 2014 [online], [site visited Nov. 21, 2022]. Available from internet, URL: <<https://www.amazon.com/Gossard-Womens-Retrolution-Staylo-Plunge/dp/B008MU8Z6Q>> (Year: 2014).\*

Rasback Women's Deep V Plunge Padded Push Up Convertible Bra, announced Dec. 31, 2020 [online], [site visited Nov. 20, 2022]. Available from internet, URL: <[https://www.amazon.com/dp/B08RSMNKBF/ref=cm\\_sw\\_r\\_apo\\_i\\_P2XNY7M742XG8AK998X5\\_0?pldnSite=1](https://www.amazon.com/dp/B08RSMNKBF/ref=cm_sw_r_apo_i_P2XNY7M742XG8AK998X5_0?pldnSite=1)> (Year: 2020).\*

Yandw Women Low Cut Deep U Plunge Bra, announced Oct. 12, 2020 [online], [site visited Nov. 21, 2022]. Available from internet, URL: <<https://www.amazon.com/YANDW-Multiway-Invisible-Backless-Longline/dp/B08L3CNTH9/>> (Year: 2020).\*

Plusexy Women's Deep V Plunge Padded Push Up Underwire Bra, announced Feb. 24, 2021 [online], [site visited Nov. 20, 2022]. Available from internet, URL: <[https://www.amazon.com/dp/B08XB4FYW/ref=cm\\_sw\\_r\\_apo\\_i\\_2C971PXQRRPMHRB2X0MD\\_0?\\_encoding=UTF8&psc=1&pldnSite=1](https://www.amazon.com/dp/B08XB4FYW/ref=cm_sw_r_apo_i_2C971PXQRRPMHRB2X0MD_0?_encoding=UTF8&psc=1&pldnSite=1)> (Year: 2021).\*

ForBaysy Low Back Bras for Women Sexy Push Up Comfort Deep V Neck Backless Bra, announced Sep. 25, 2021 [online], [site visited Nov. 20, 2022]. Available from internet, URL: <<https://www.amazon.com/Comfort-Backless-Multiway-Convertible-Bralette/dp/B09H381BRN?th=1>> (Year: 2021).\*

ForBaysy Low Back Bras for Women Sexy Backless Bralette, announced May 21, 2021 [online], [site visited Nov. 20, 2022]. Available from internet, URL: <<https://www.amazon.com/Backless-Bralette-Wireless-Lingerie-Convertible/dp/B095BPVBRC/>> (Year: 2021).\*

\* cited by examiner

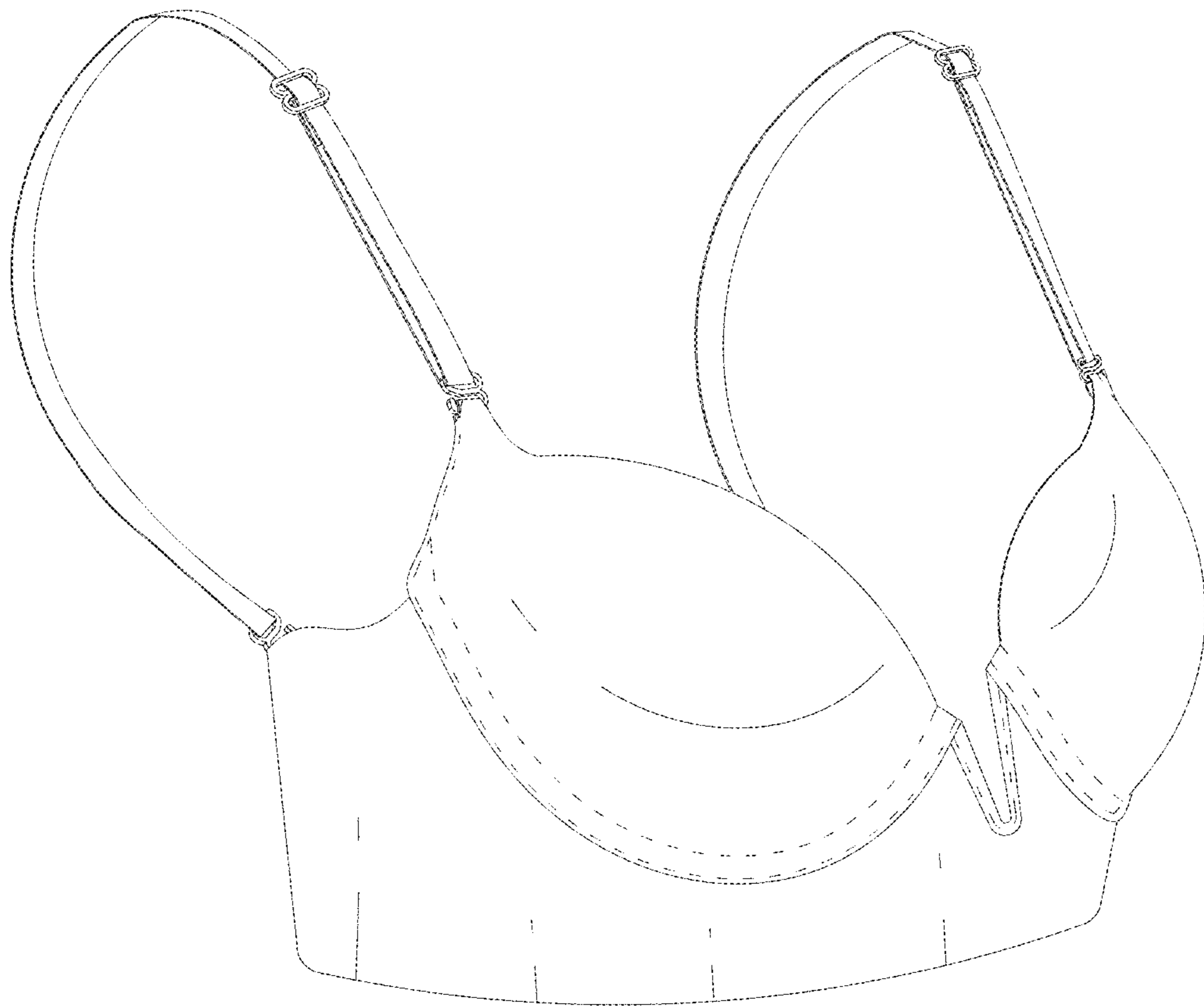


FIG. 1



FIG. 2

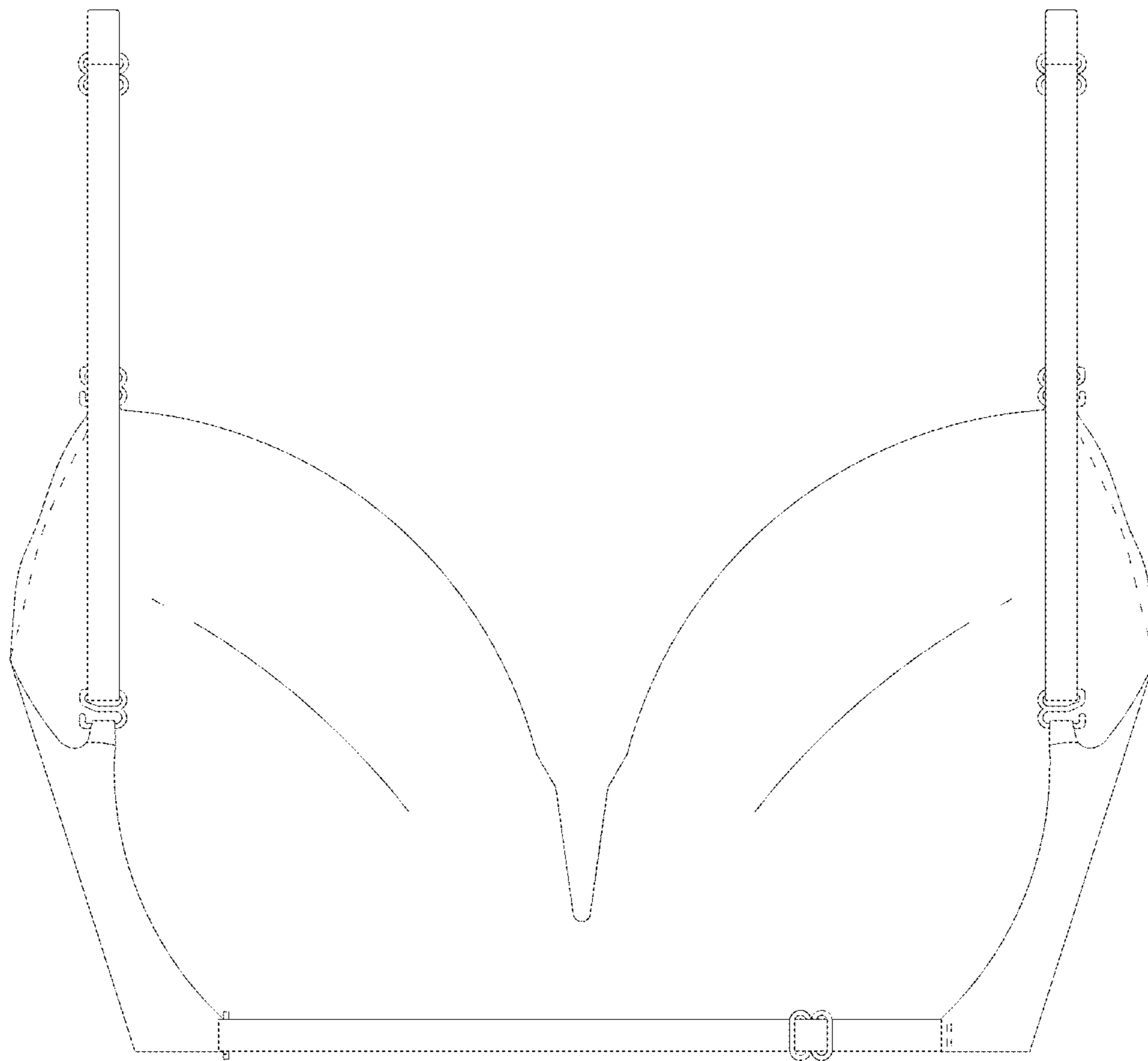


FIG. 3

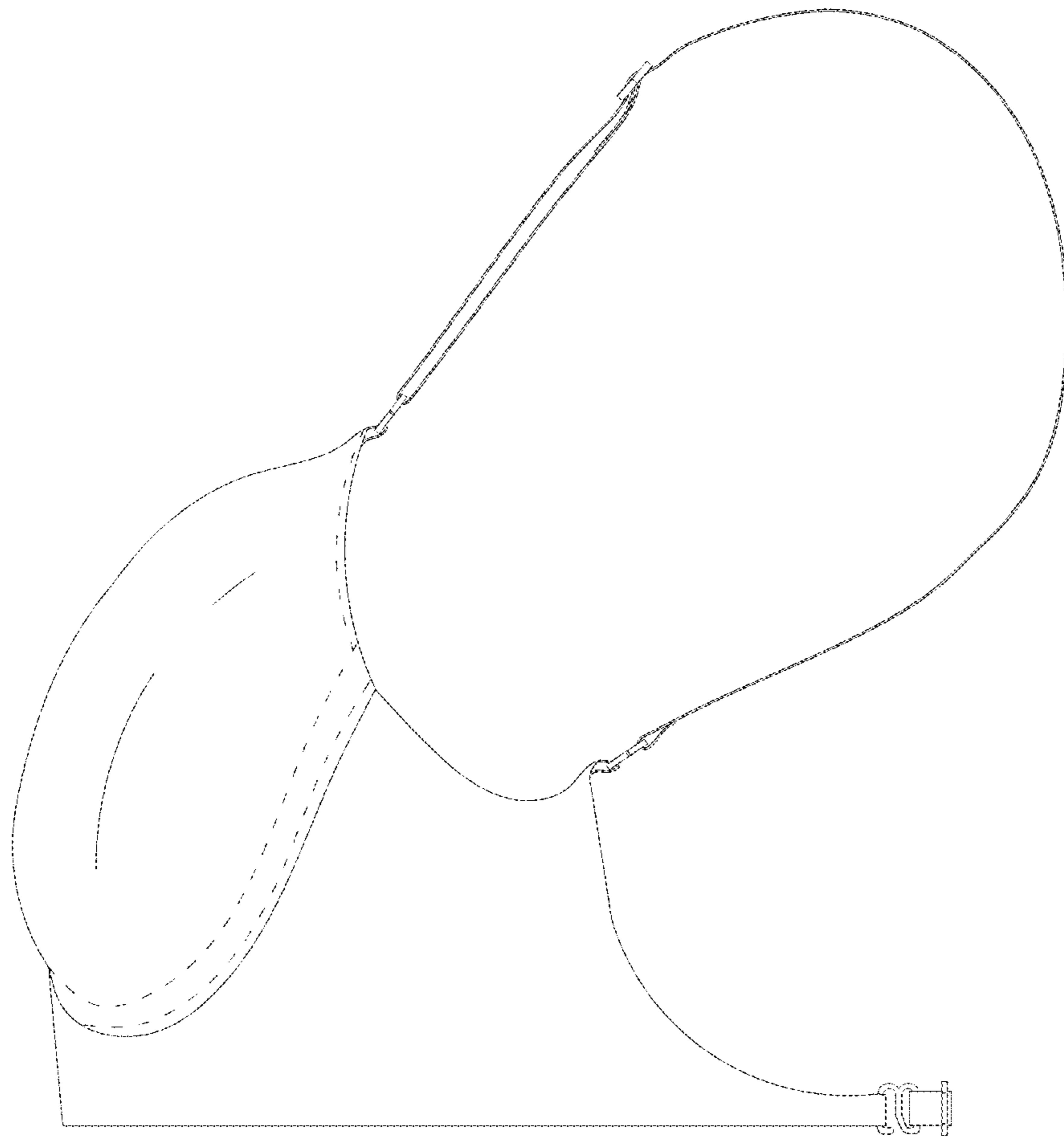


FIG. 4



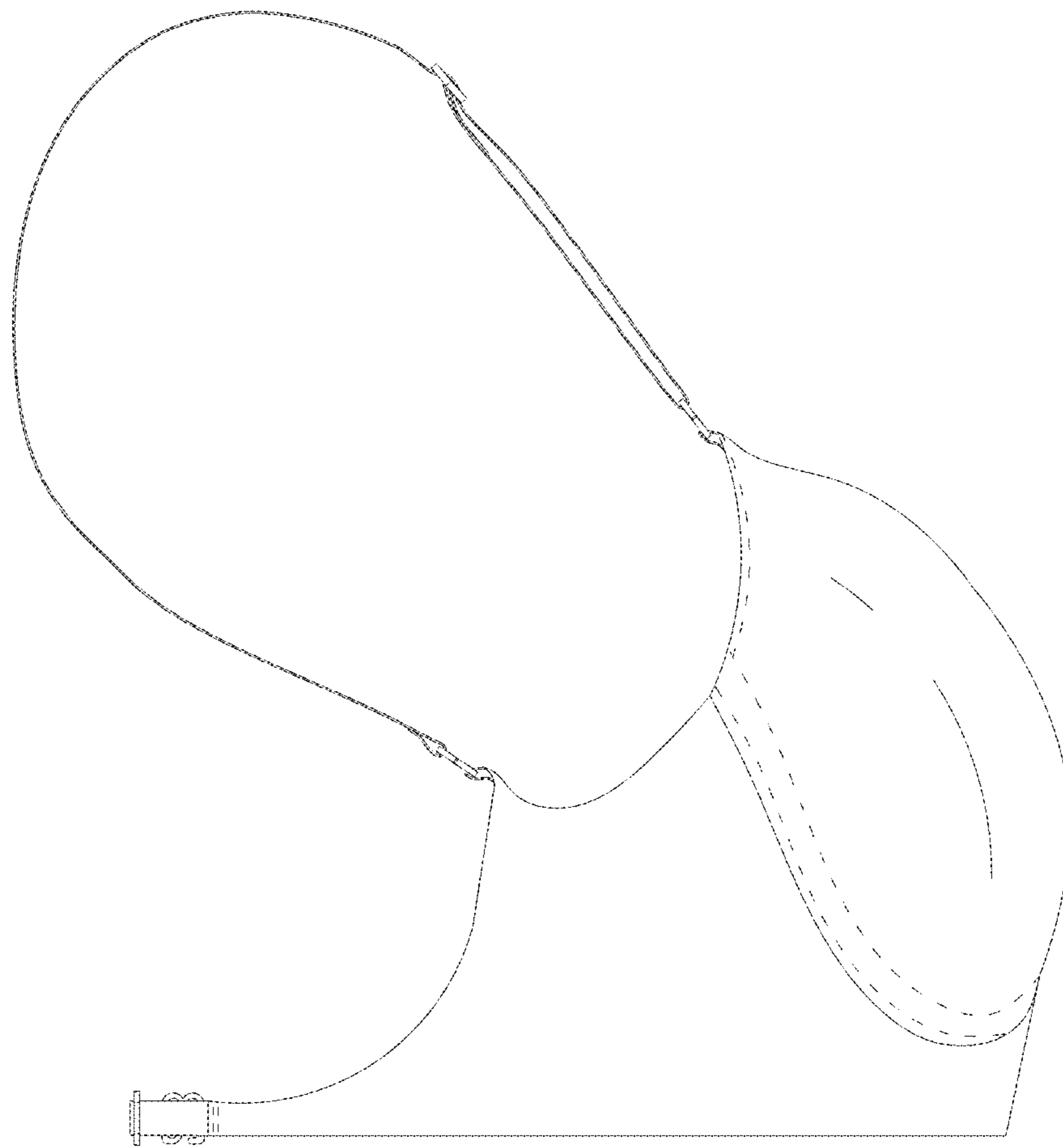


FIG. 5

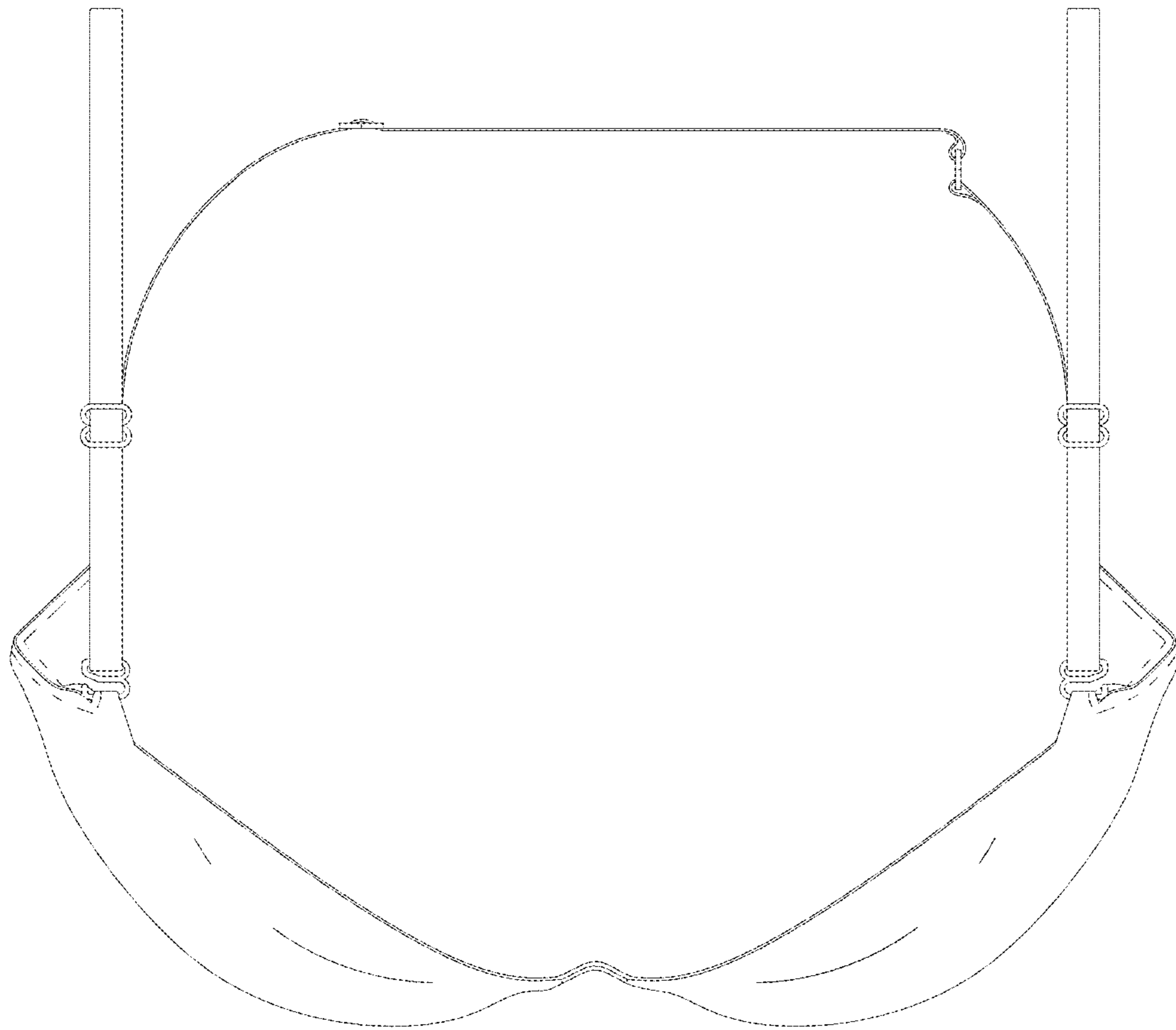


FIG. 6



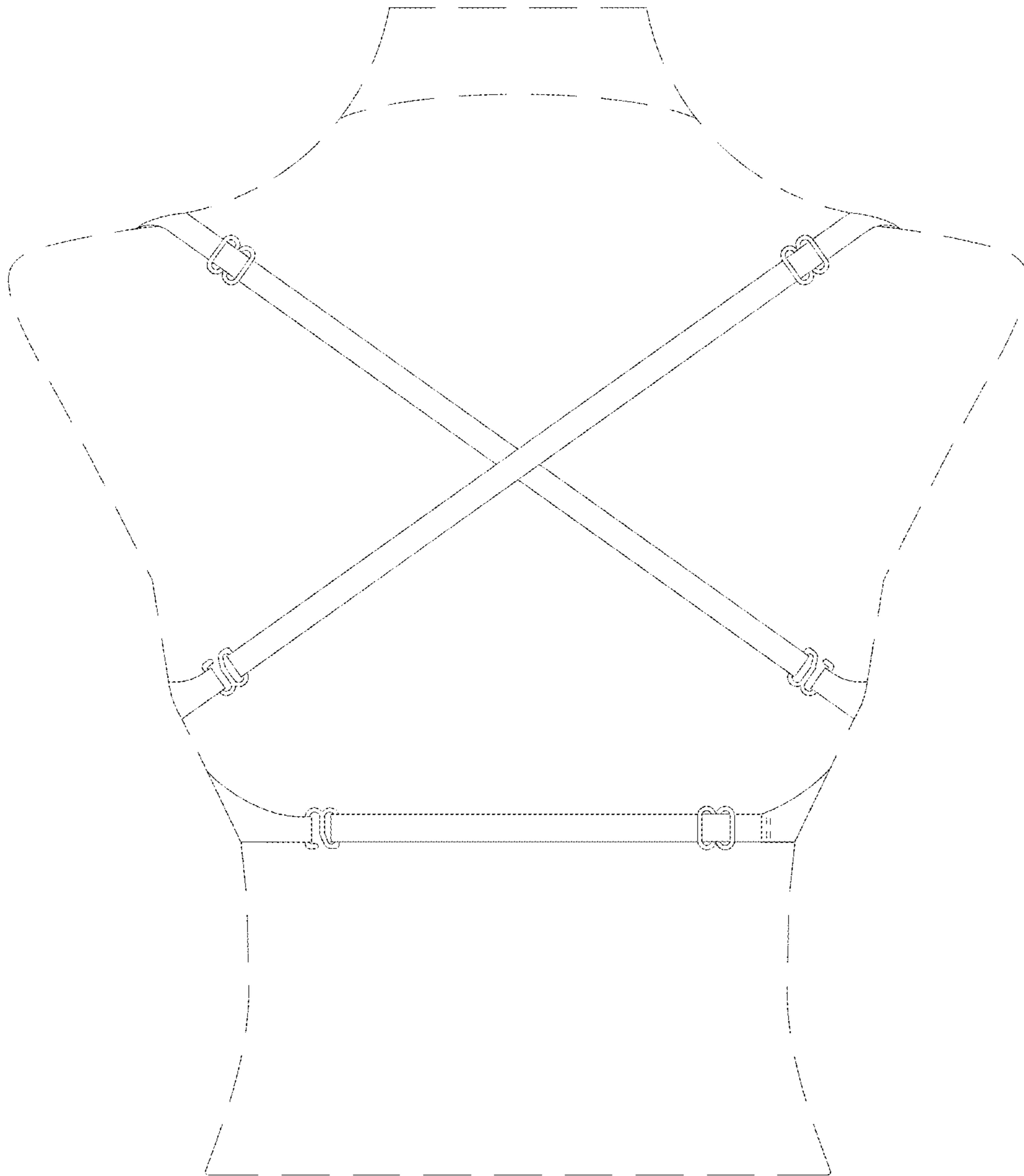


FIG. 7

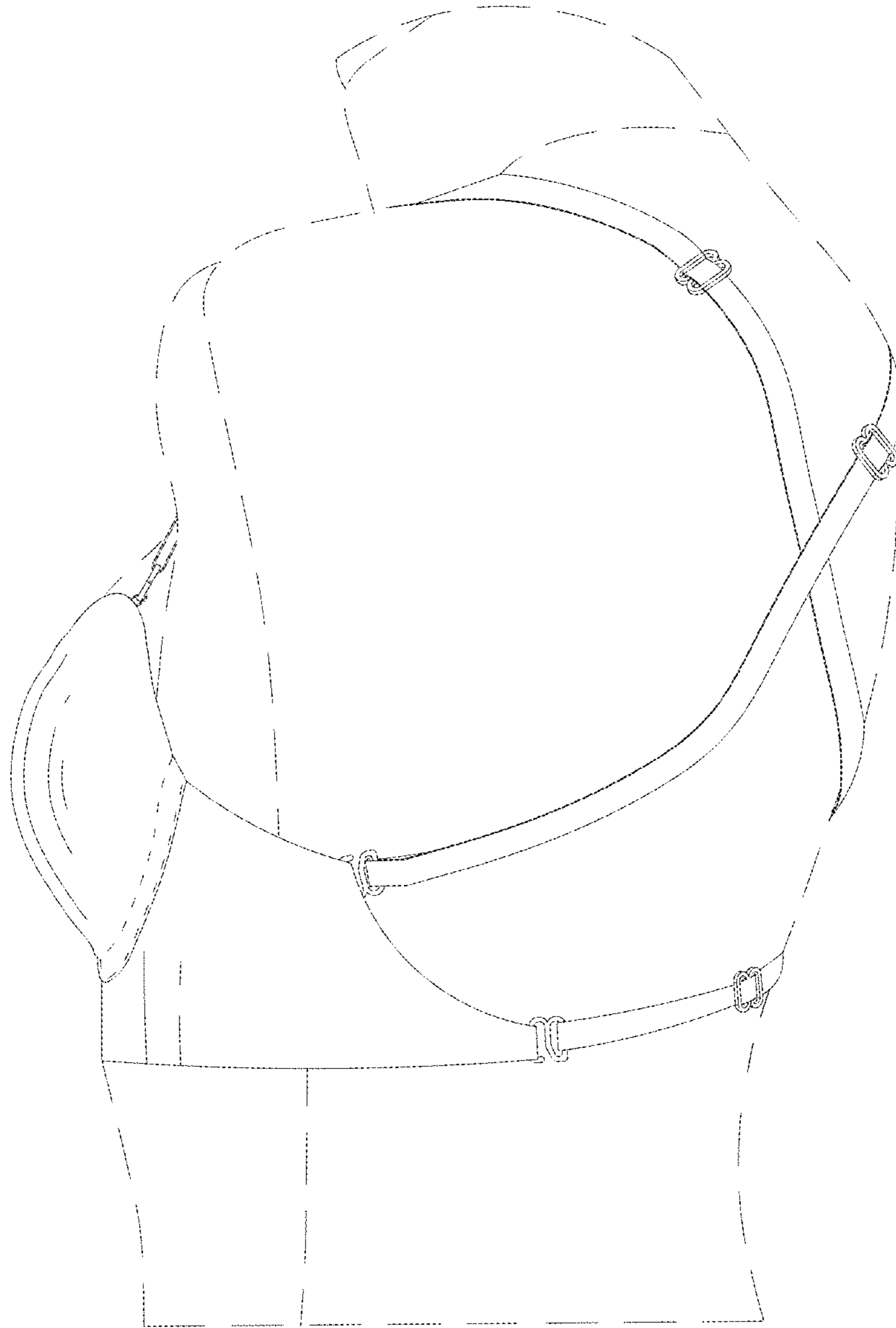


FIG. 8

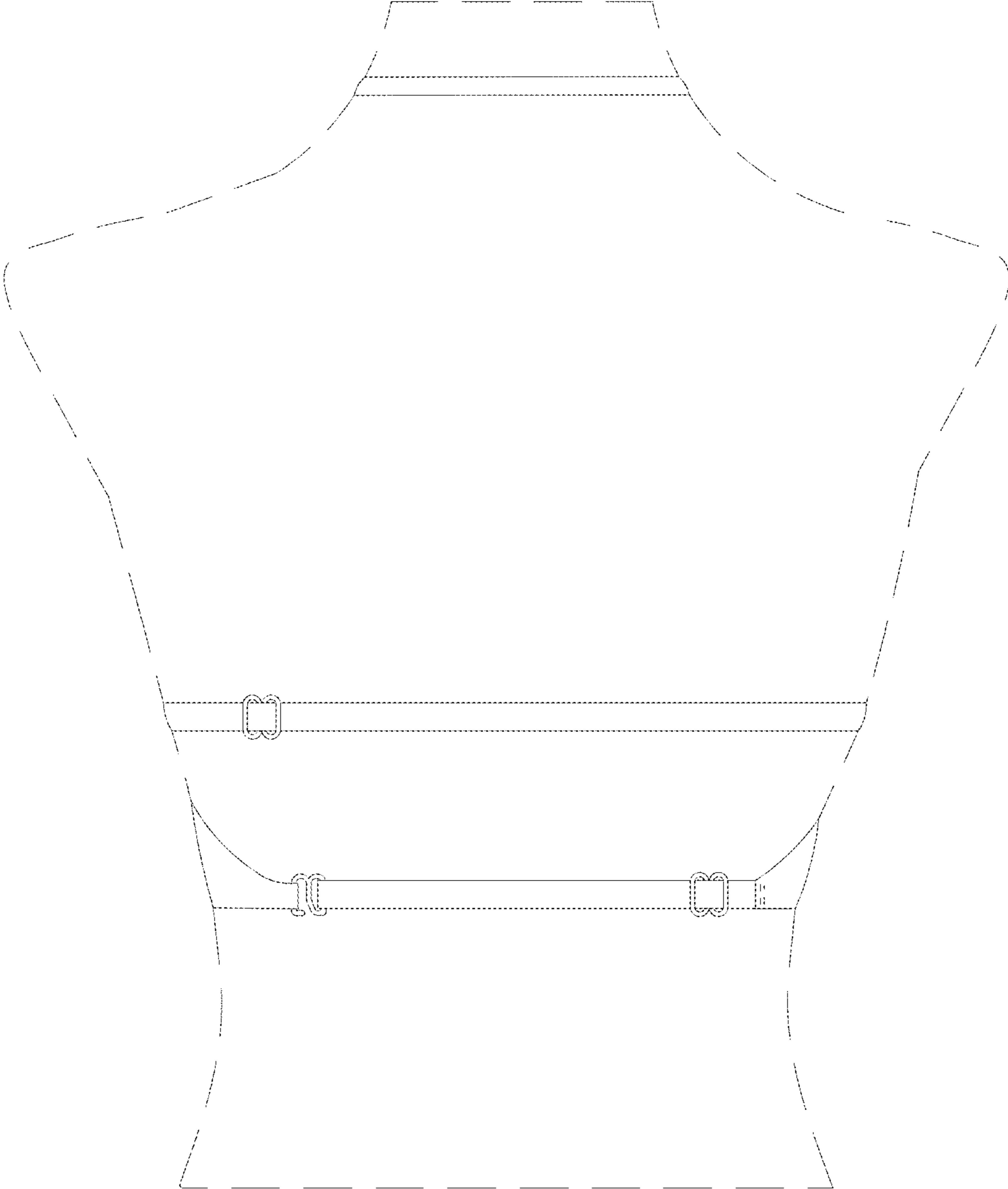


FIG. 9

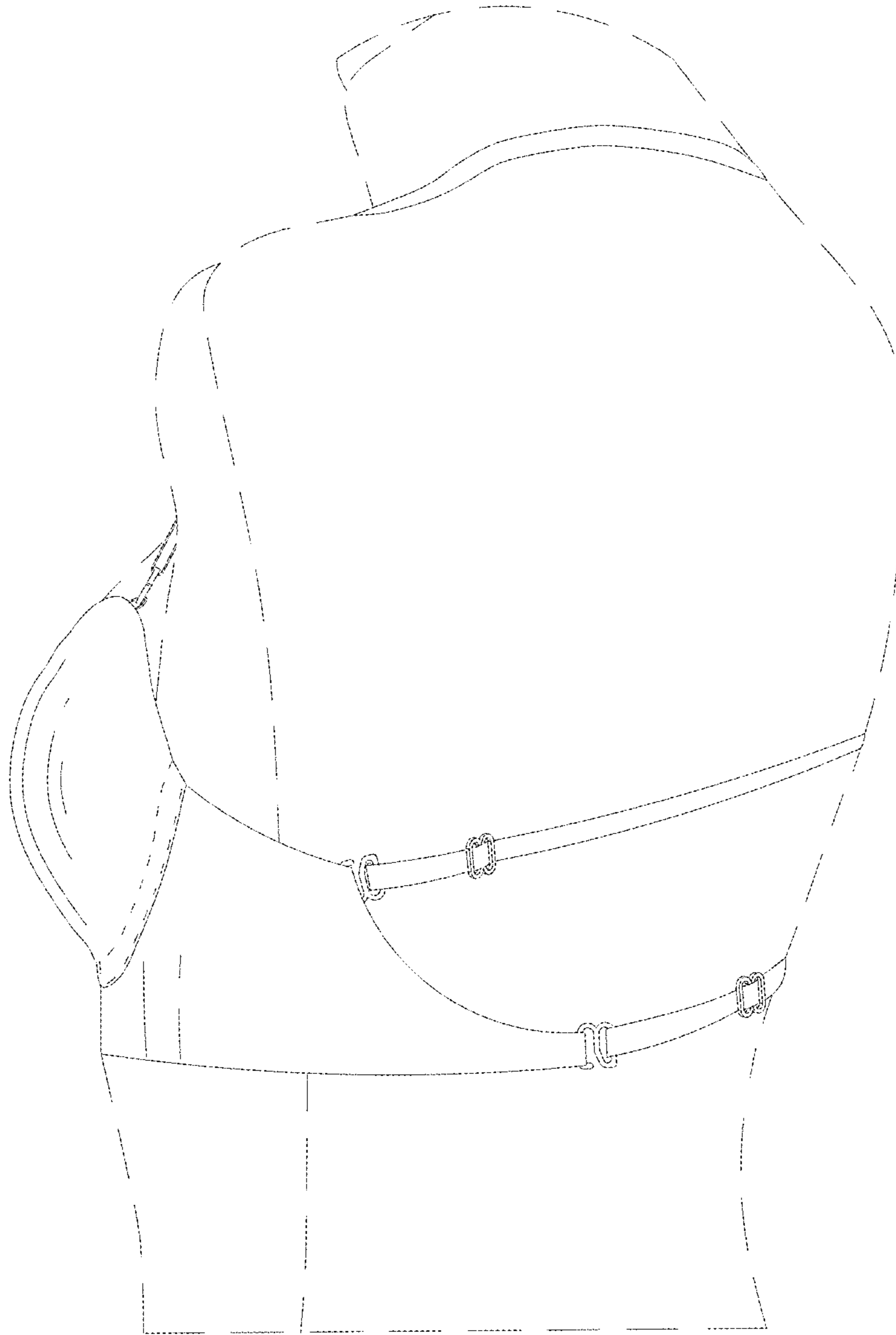


FIG. 10