



US00D985877S

(12) **United States Design Patent** (10) **Patent No.:** **US D985,877 S**  
**Venuti** (45) **Date of Patent:** **\*\* May 9, 2023**

(54) **MAILBOX**  
(71) Applicant: **Robert Venuti**, Yonkers, NY (US)  
(72) Inventor: **Robert Venuti**, Yonkers, NY (US)  
(\*\*) Term: **15 Years**  
(21) Appl. No.: **29/651,829**  
(22) Filed: **Apr. 17, 2019**  
(51) **LOC (14) Cl.** ..... **99-00**  
(52) **U.S. Cl.**  
USPC ..... **D99/29**  
(58) **Field of Classification Search**  
USPC ..... D99/28, 29, 30, 31, 32, 43, 99; 312/35;  
232/1 R, 1 A, 1 C, 1 D, 4 R, 2, 17, 19,  
232/20, 21, 22, 24, 27, 30, 31, 37, 38, 39,  
232/44, 45  
CPC ..... A47G 29/12; A47G 29/1201; A47G  
29/1203; A47G 29/1205; A47G 29/1207;  
A47G 29/1209; A47G 29/121; A47G  
29/1212; A47G 29/1214; A47G 29/1216;  
A47G 29/1218; A47G 29/122; A47G  
29/1225; A47G 29/16; A47G 29/00  
See application file for complete search history.

(56) **References Cited**  
**U.S. PATENT DOCUMENTS**  
669,464 A \* 3/1901 Lidke ..... A47G 29/1209  
232/17  
674,147 A \* 5/1901 Wirt ..... A47G 29/1209  
232/17  
679,645 A \* 7/1901 Sweigart ..... A47G 29/1207  
232/53  
680,847 A \* 8/1901 Englar ..... A47G 29/121  
232/34  
715,240 A \* 12/1902 Birely ..... A47G 29/12  
232/28  
725,080 A \* 4/1903 Henry ..... A47G 29/1209  
232/27

731,804 A \* 6/1903 McClelland ..... A47G 29/12  
232/28  
758,446 A \* 4/1904 Hoes ..... A47G 29/12  
232/28  
762,332 A \* 6/1904 Massey ..... A47G 29/12  
232/28  
910,355 A \* 1/1909 Cannady ..... A47G 29/121  
232/35  
1,362,941 A \* 12/1920 Heine ..... A47G 29/121  
232/28  
D167,928 S \* 10/1952 Coward ..... D99/33  
D213,738 S \* 4/1969 Andis ..... D99/29  
3,580,491 A \* 5/1971 Campbell ..... A47G 29/121  
232/35

(Continued)

**OTHER PUBLICATIONS**

Canonica Wooden Casket by Bottega Ghianda, [https://www.1stdibs.com/furniture/dining-entertaining/knife-boxes/canonica-wooden-casket-bottega-ghianda/id-f\\_15297671/](https://www.1stdibs.com/furniture/dining-entertaining/knife-boxes/canonica-wooden-casket-bottega-ghianda/id-f_15297671/), 2021. (Year: 2021).\*

*Primary Examiner* — Elizabeth J Oswecki

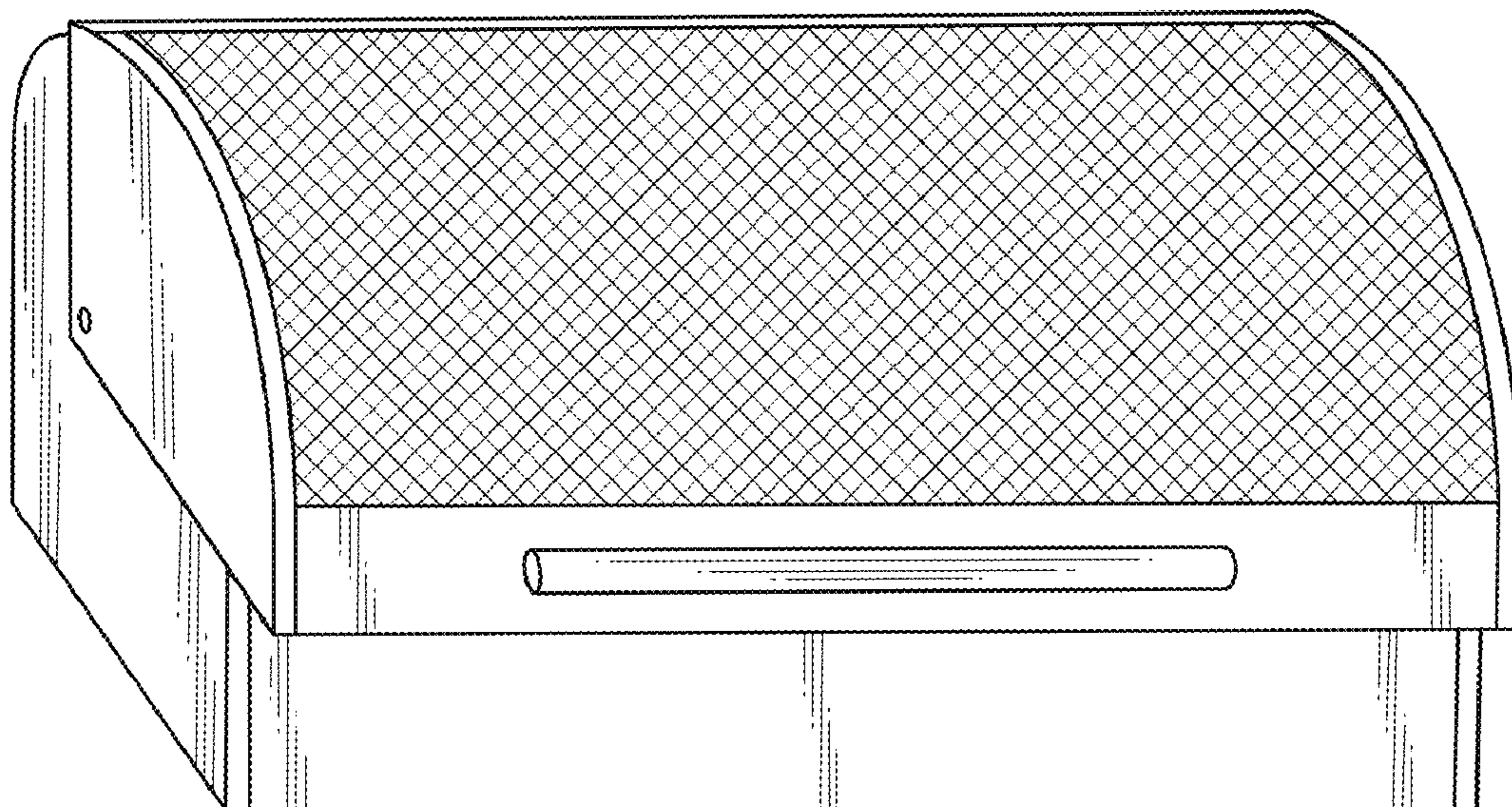
(57) **CLAIM**

The ornamental design for a mailbox, as shown and described.

**DESCRIPTION**

FIG. 1 is a front perspective view of a mailbox, showing my new design, in an open configuration;  
FIG. 2 is another front perspective view thereof, in another open configuration;  
FIG. 3 is a side view thereof, shown in a closed configuration; and,  
FIG. 4 is another front perspective view thereof, in a closed configuration.  
The broken line showing of a mailbox is included for the purpose of illustrating only and forms no part of the claimed design. All surfaces not shown form no part of the claimed design.

**1 Claim, 4 Drawing Sheets**



(56)

**References Cited**

U.S. PATENT DOCUMENTS

3,602,423 A \* 8/1971 Corkery ..... A47G 29/12  
232/17  
D354,829 S \* 1/1995 Willis ..... D99/33  
D378,463 S \* 3/1997 Willis ..... D99/33  
D678,654 S \* 3/2013 Farentinos ..... D99/33  
D695,485 S \* 12/2013 Peck ..... A47C 7/62  
D99/28

\* cited by examiner

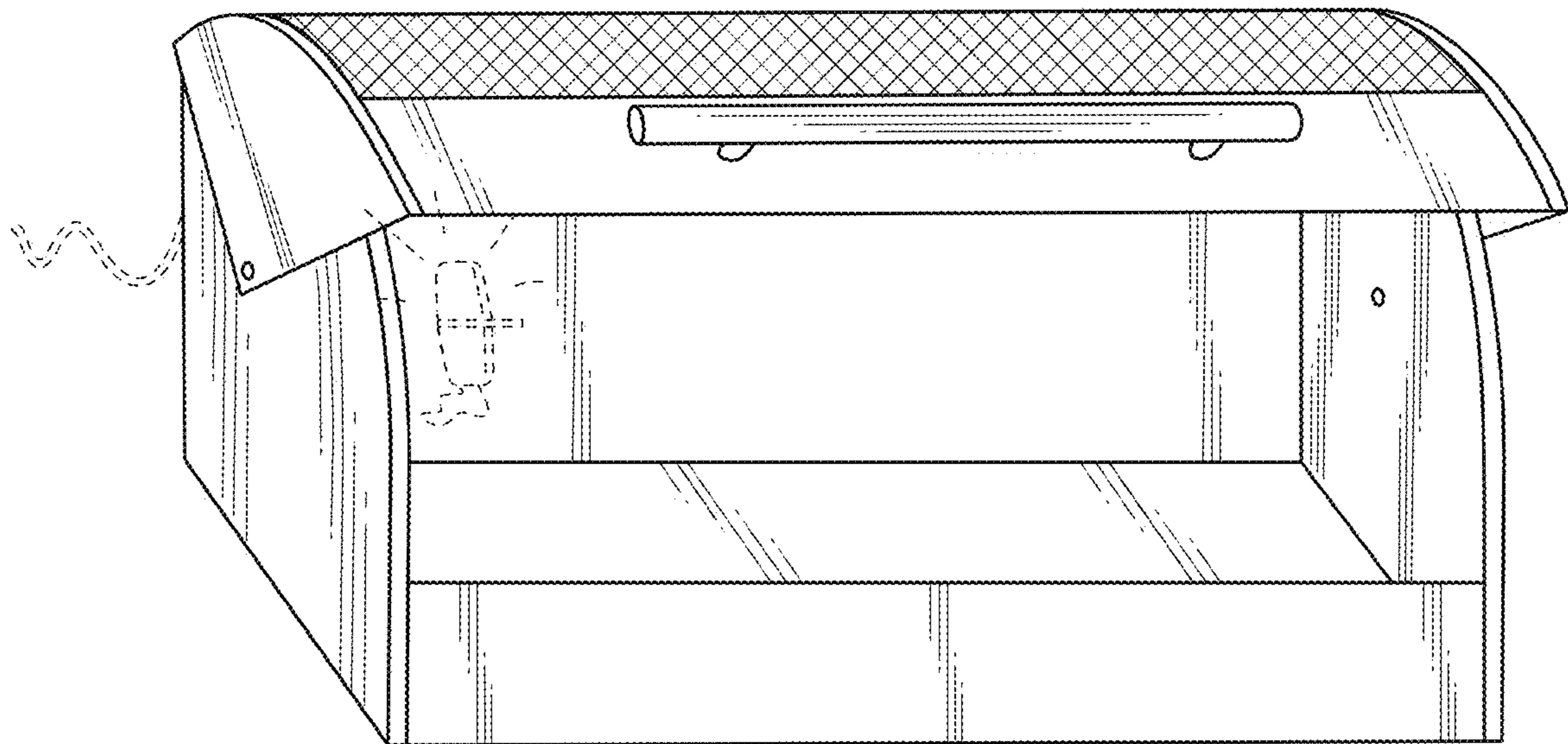


FIG. 1

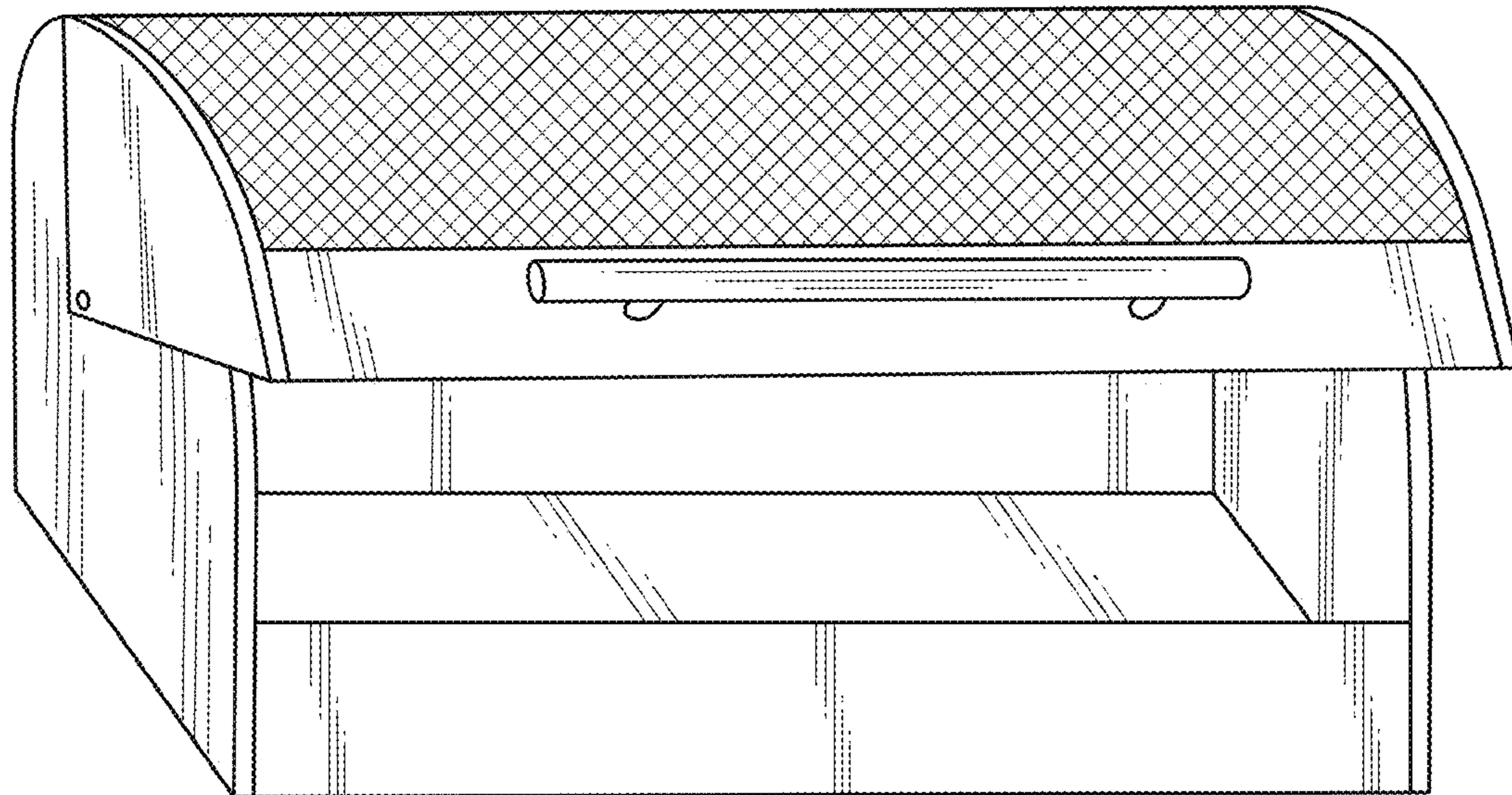


FIG. 2

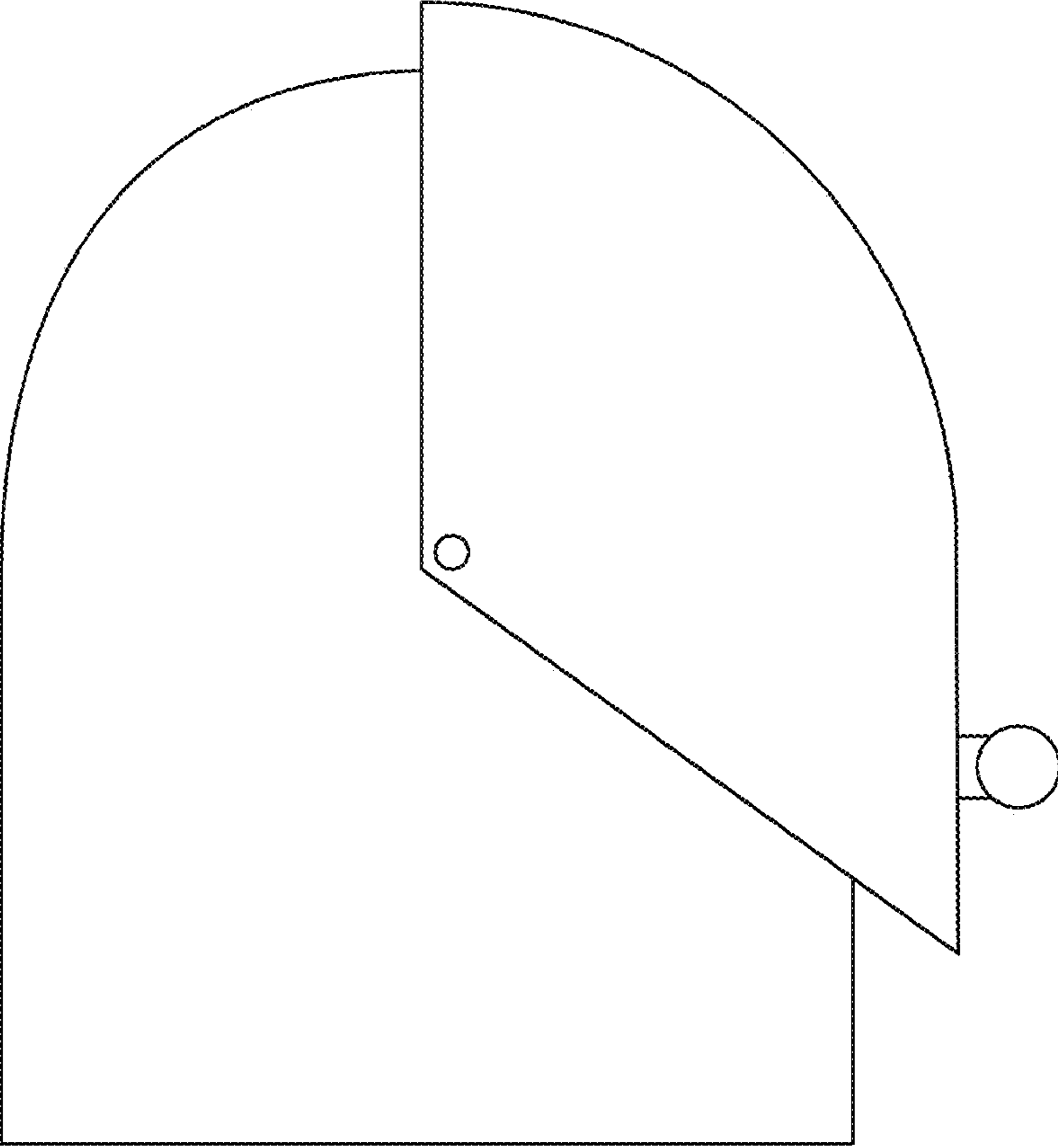


FIG. 3

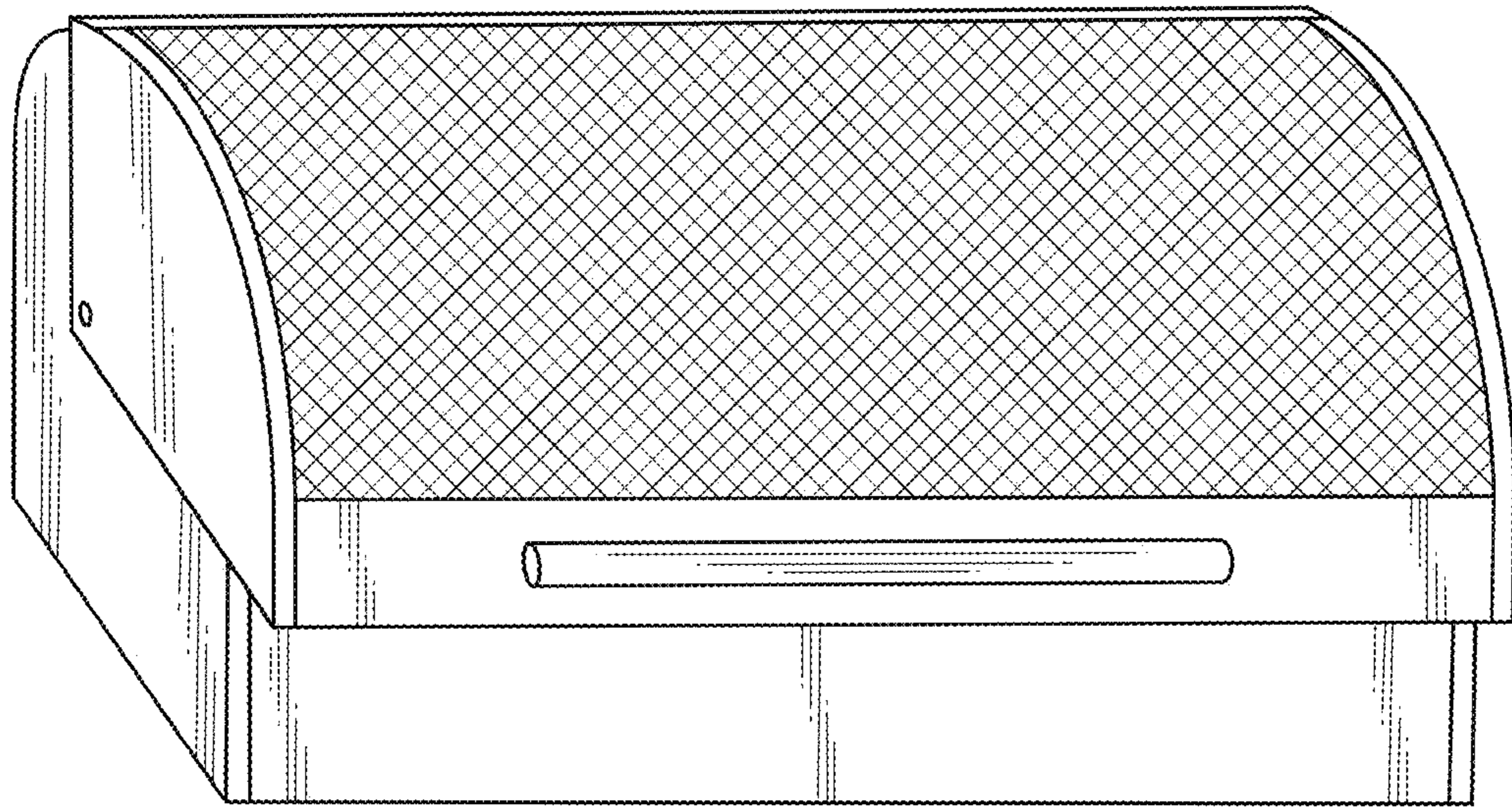


FIG. 4