



US00D985876S

(12) **United States Design Patent**
Smiley et al.

(10) **Patent No.:** **US D985,876 S**

(45) **Date of Patent:** **** May 9, 2023**

(54) **VEHICLE CONSOLE**

(71) Applicant: **The Raymond Corporation**, Greene, NY (US)

(72) Inventors: **Gregory W. Smiley**, Greene, NY (US);
Howard Scott Ryan, Skaneateles, NY (US)

(73) Assignee: **The Raymond Corporation**, Greene, NY (US)

(**) Term: **15 Years**

(21) Appl. No.: **29/783,159**

(22) Filed: **May 11, 2021**

(51) **LOC (14) Cl.** **12-05**

(52) **U.S. Cl.**
USPC **D34/34**

(58) **Field of Classification Search**
USPC D34/34, 35, 38, 28; D12/174; D13/168;
D15/28

CPC B66F 9/24; B66F 9/07563; B66F 9/105;
B66F 9/06; B66F 9/12; B66F 9/146;
B66F 9/195; B66F 9/07545

See application file for complete search history.

(56) **References Cited**

U.S. PATENT DOCUMENTS

| | | | | | |
|------------|---|---------|---------------|-------|--------|
| D605,374 S | * | 12/2009 | Nishikawa | | D34/34 |
| D663,502 S | * | 7/2012 | Lin | | D34/34 |
| D699,911 S | * | 2/2014 | Kazaoka | | D34/35 |
| D822,938 S | * | 7/2018 | Hooock | | D34/35 |
| D901,820 S | * | 11/2020 | Liping | | D34/34 |
| D903,971 S | * | 12/2020 | Chao | | D34/34 |
| D903,972 S | * | 12/2020 | Yuanwei | | D34/34 |
| D903,974 S | * | 12/2020 | Moreno Piedra | | D15/31 |

| | | | | | |
|------------|---|--------|----------|-------|--------|
| D912,922 S | * | 3/2021 | Yoshioka | | D34/35 |
| D923,283 S | * | 6/2021 | Yoshioka | | D34/35 |
| D930,942 S | * | 9/2021 | Babel | | D34/38 |
| D940,651 S | * | 1/2022 | Muller | | D34/28 |
| D940,989 S | * | 1/2022 | Kim | | D34/34 |

* cited by examiner

Primary Examiner — Susan E Krakower

Assistant Examiner — Jerry Shiu-an-Hua Hsu

(74) *Attorney, Agent, or Firm* — Quarles & Brady LLP

(57) **CLAIM**

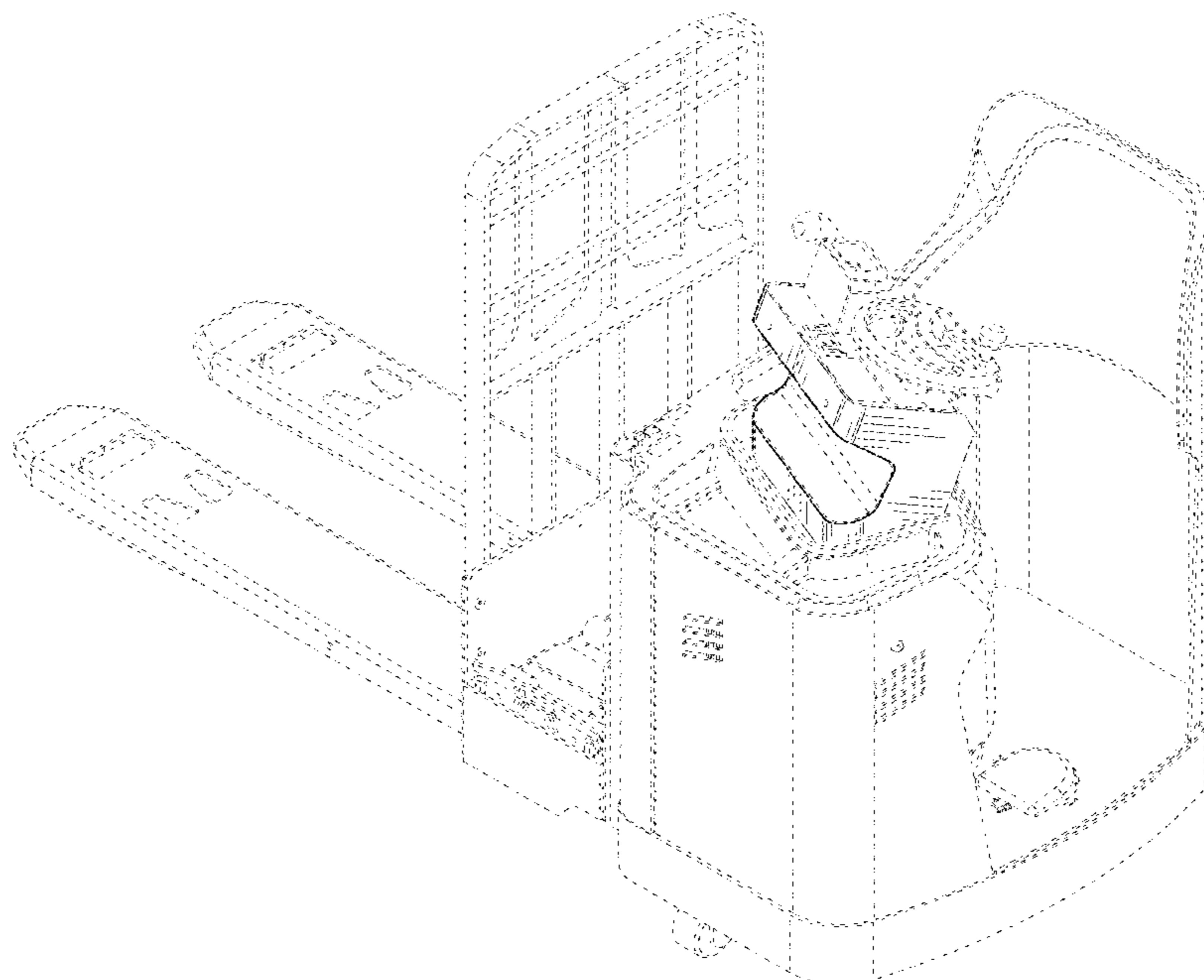
The ornamental design for a vehicle console, as shown and described.

DESCRIPTION

FIG. 1 is an isometric view of a top, front, and right side of an ornamental design for a vehicle console;
 FIG. 2 is an isometric view of a top, front, and right side of the vehicle console of FIG. 1, wherein environmental portions have been removed for clarity;
 FIG. 3 is an isometric view of a bottom, front, and left side of the vehicle console of FIG. 2;
 FIG. 4 is a front elevational view of the vehicle console of FIG. 2;
 FIG. 5 is a left side elevational view of the vehicle console of FIG. 2;
 FIG. 6 is a right side elevational view of the vehicle console of FIG. 2;
 FIG. 7 is a top plan view of the vehicle console of FIG. 2; and,
 FIG. 8 is a bottom plan view of the vehicle console of FIG. 2.

The dash-dash-dash lines are included for the purpose of illustrating portions of the vehicle console that form no part of the claimed design. The dash-dot-dash broken lines depict boundary lines and form no part of the claimed design.

1 Claim, 6 Drawing Sheets



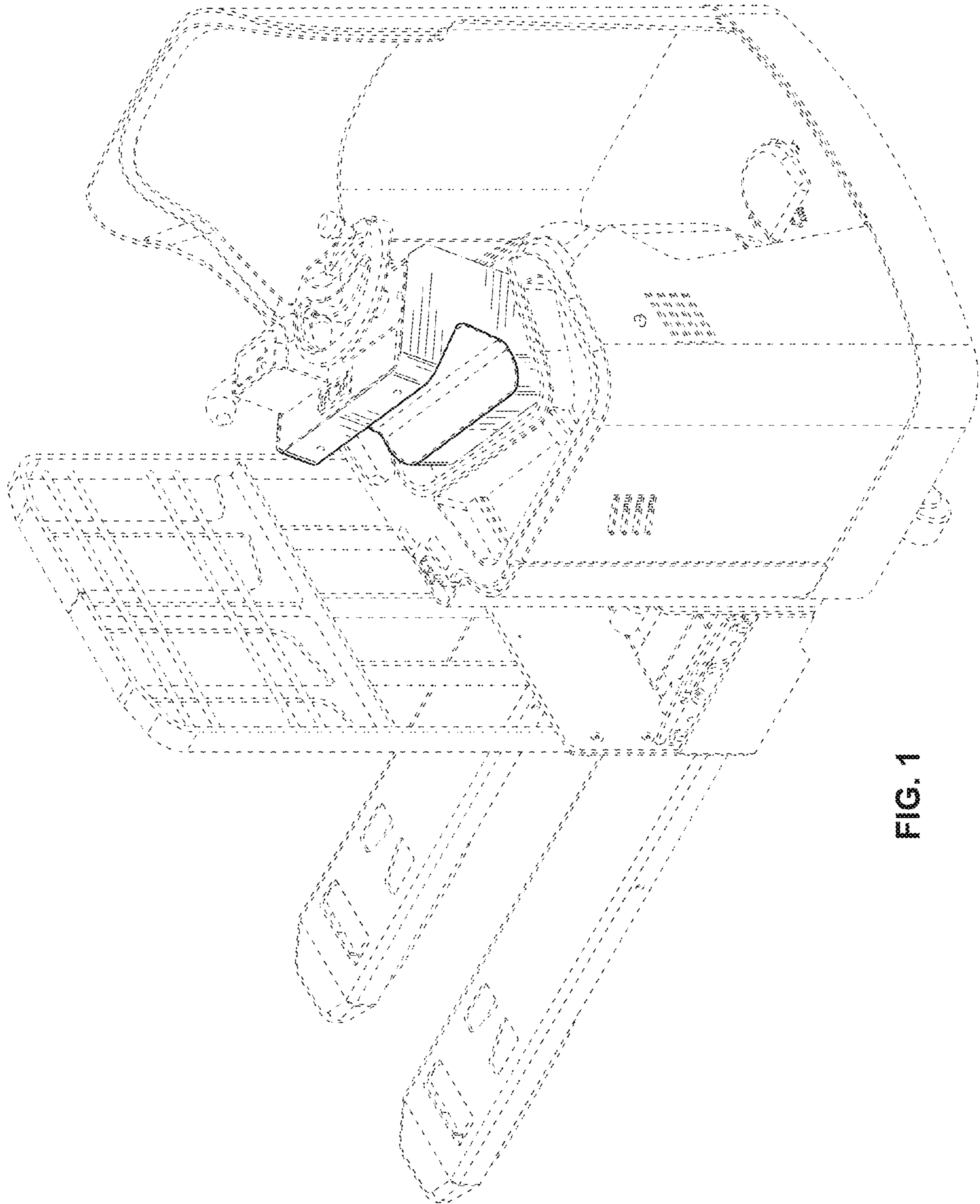


FIG. 1

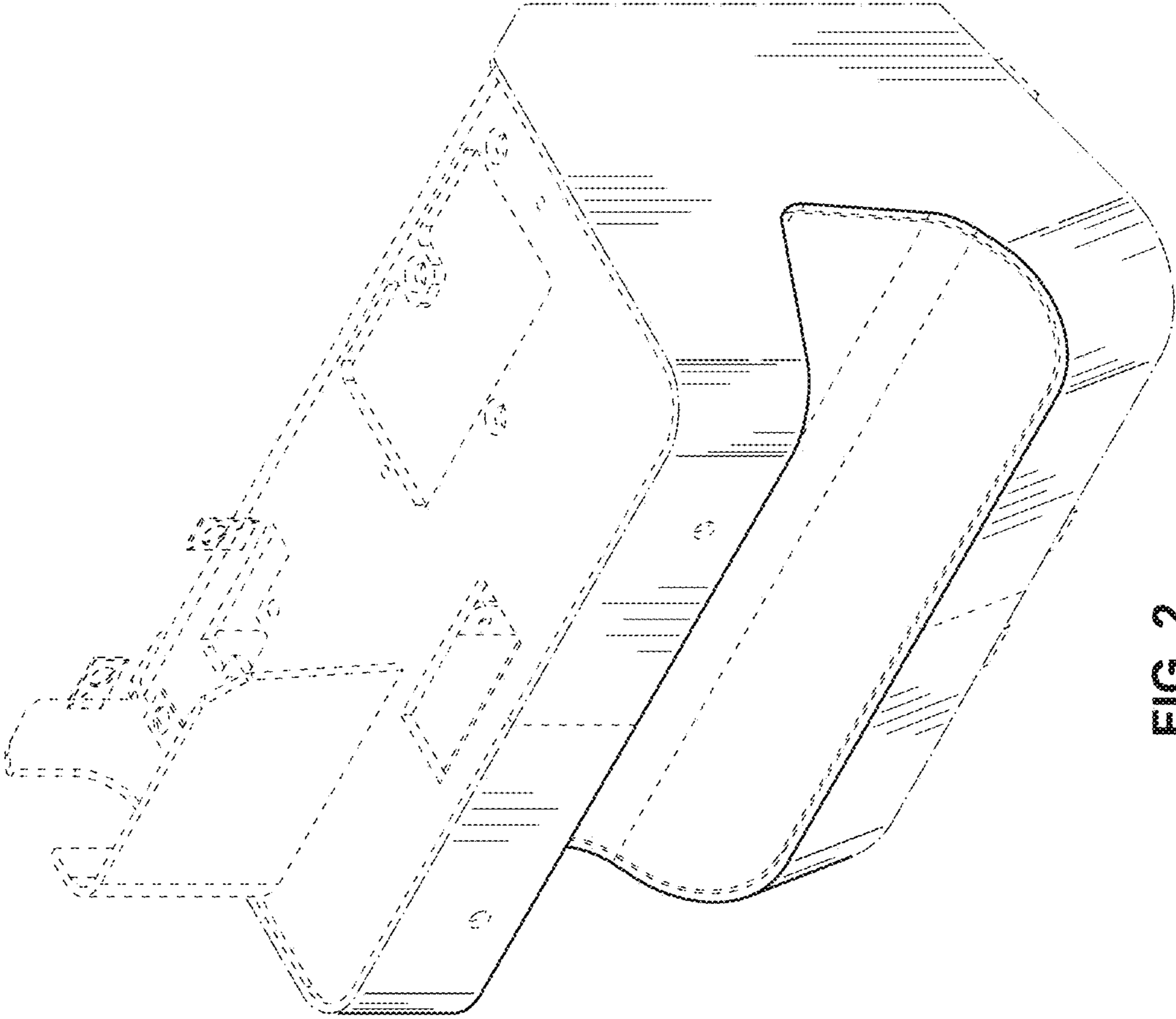


FIG. 2

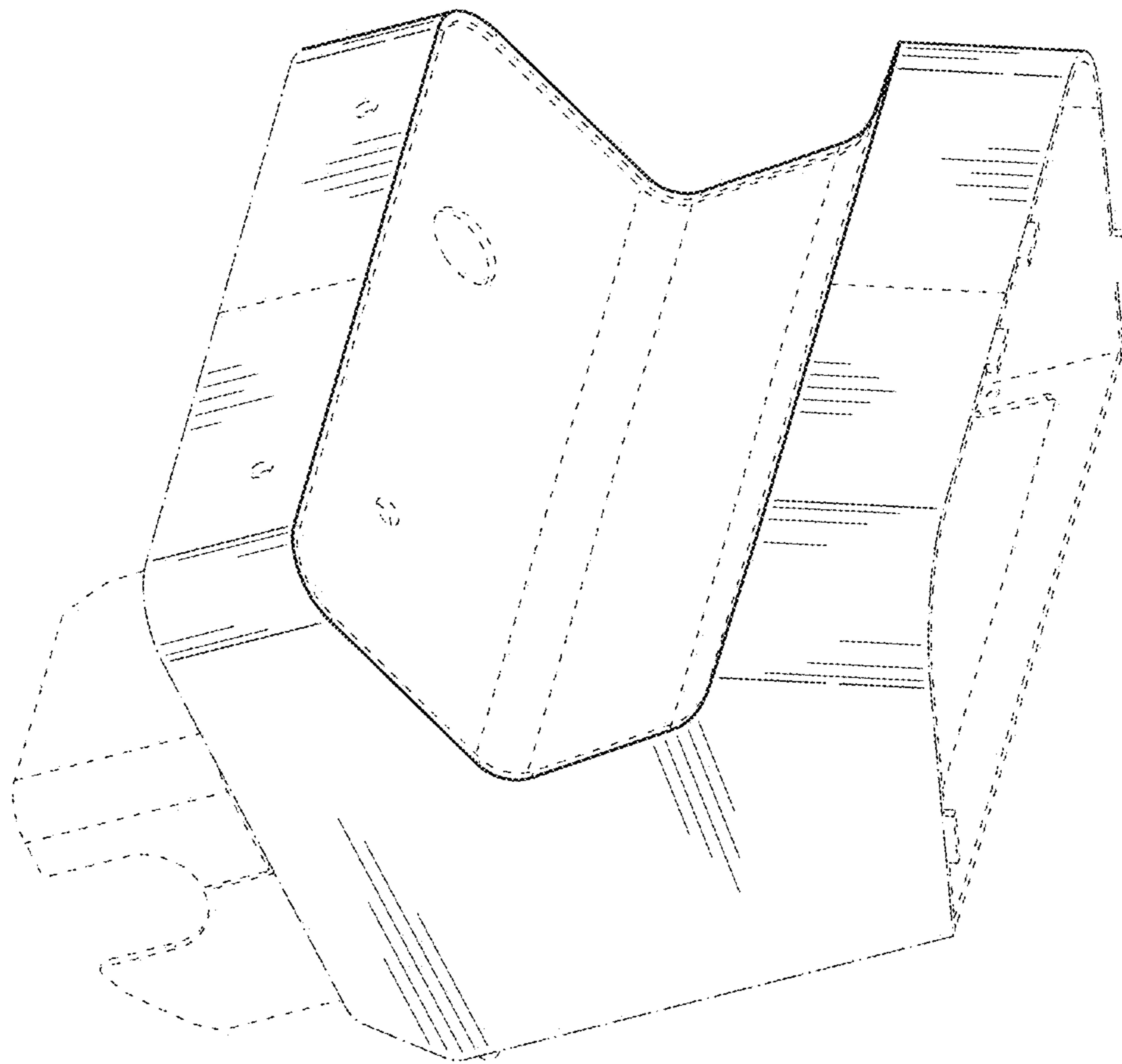


FIG. 3

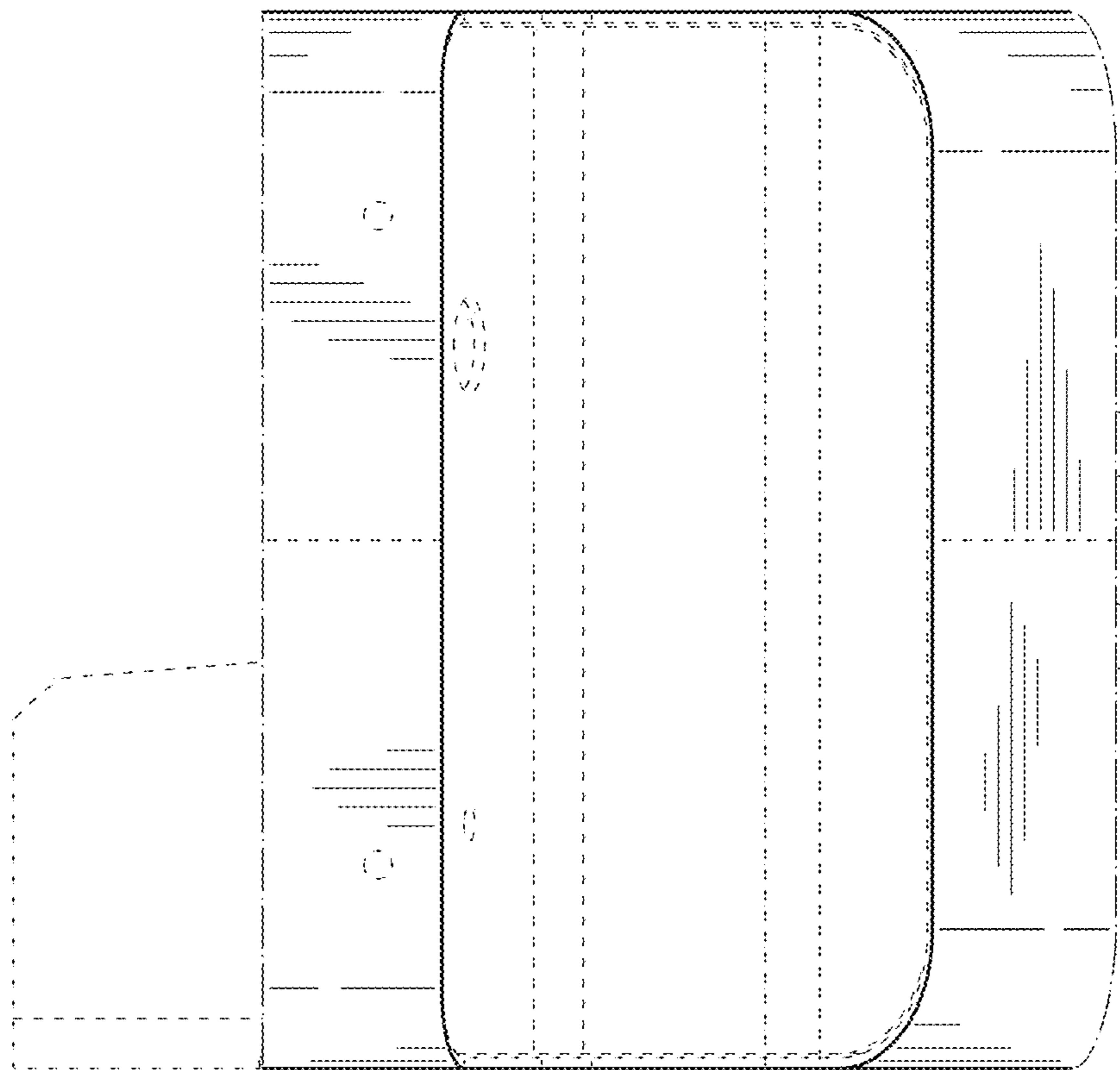


FIG. 4

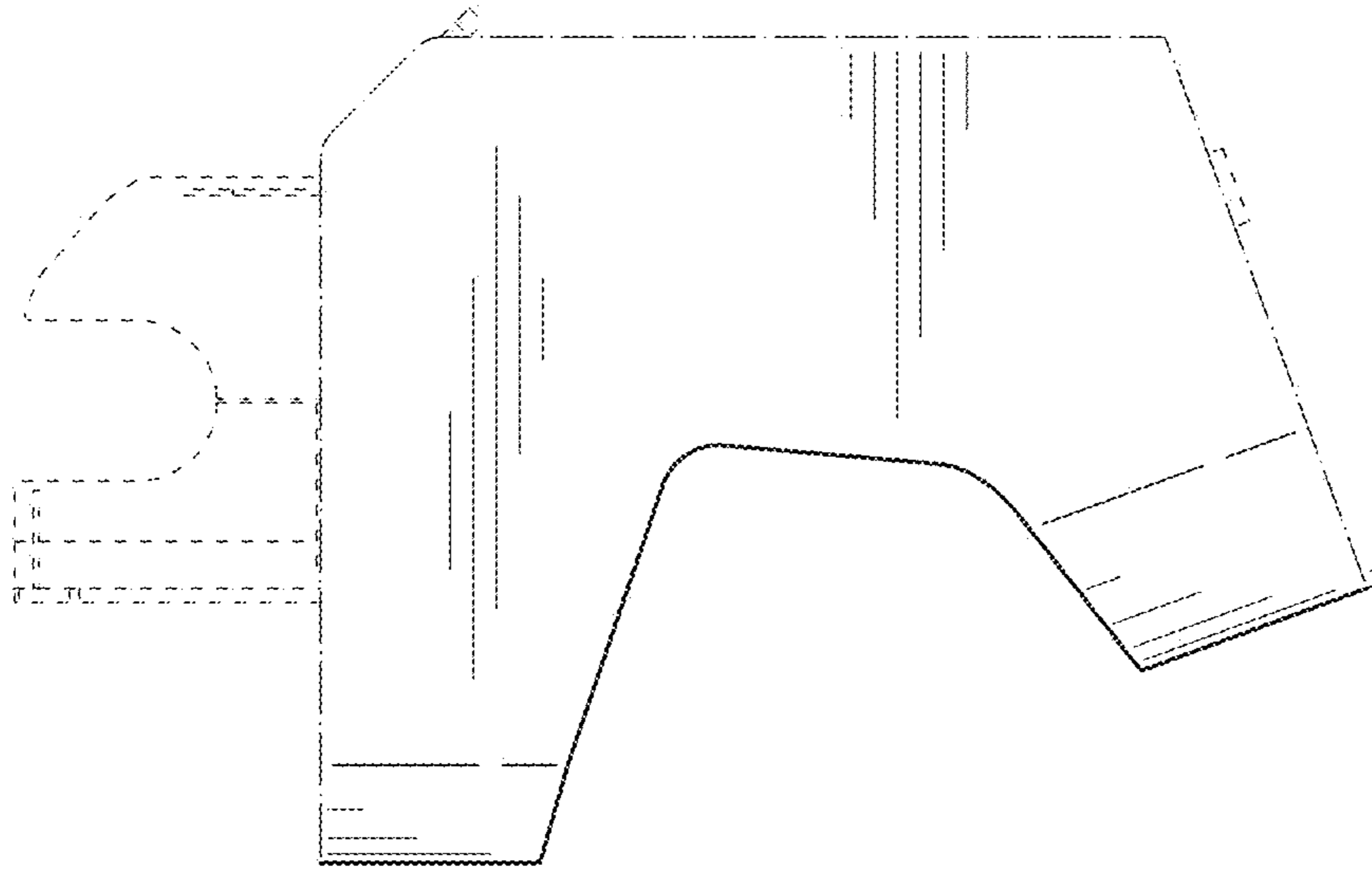


FIG. 5

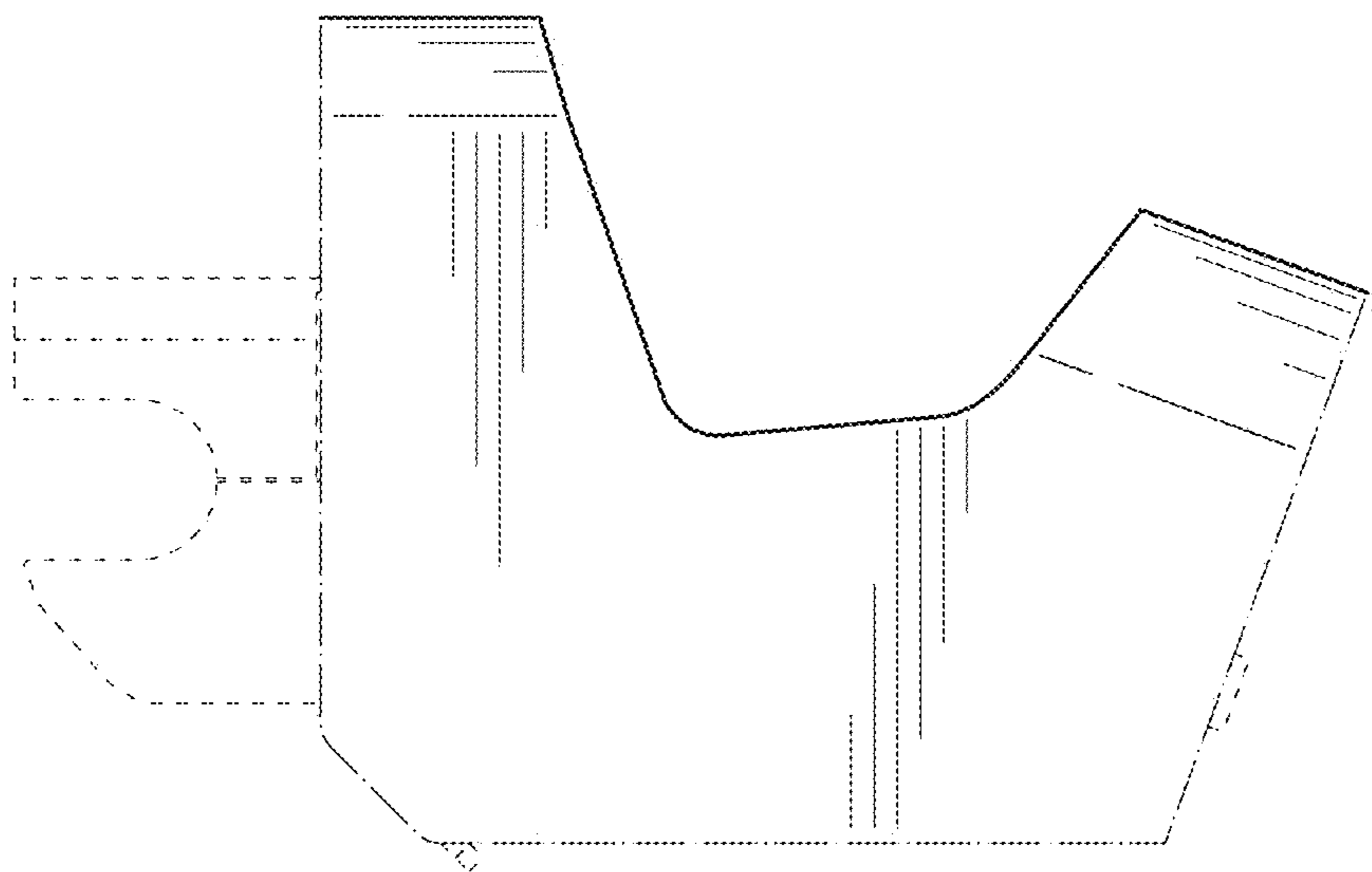


FIG. 6

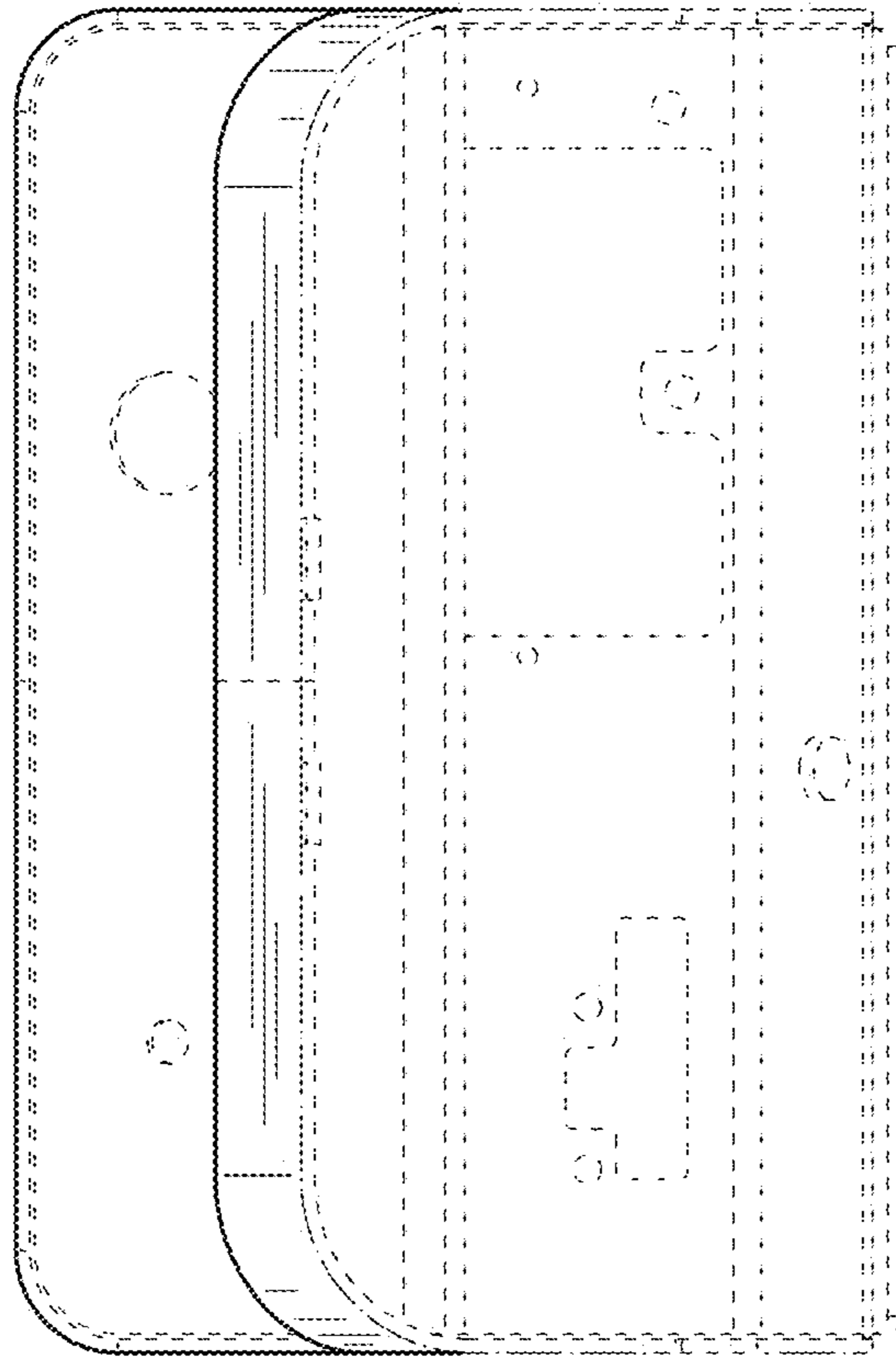


FIG. 8

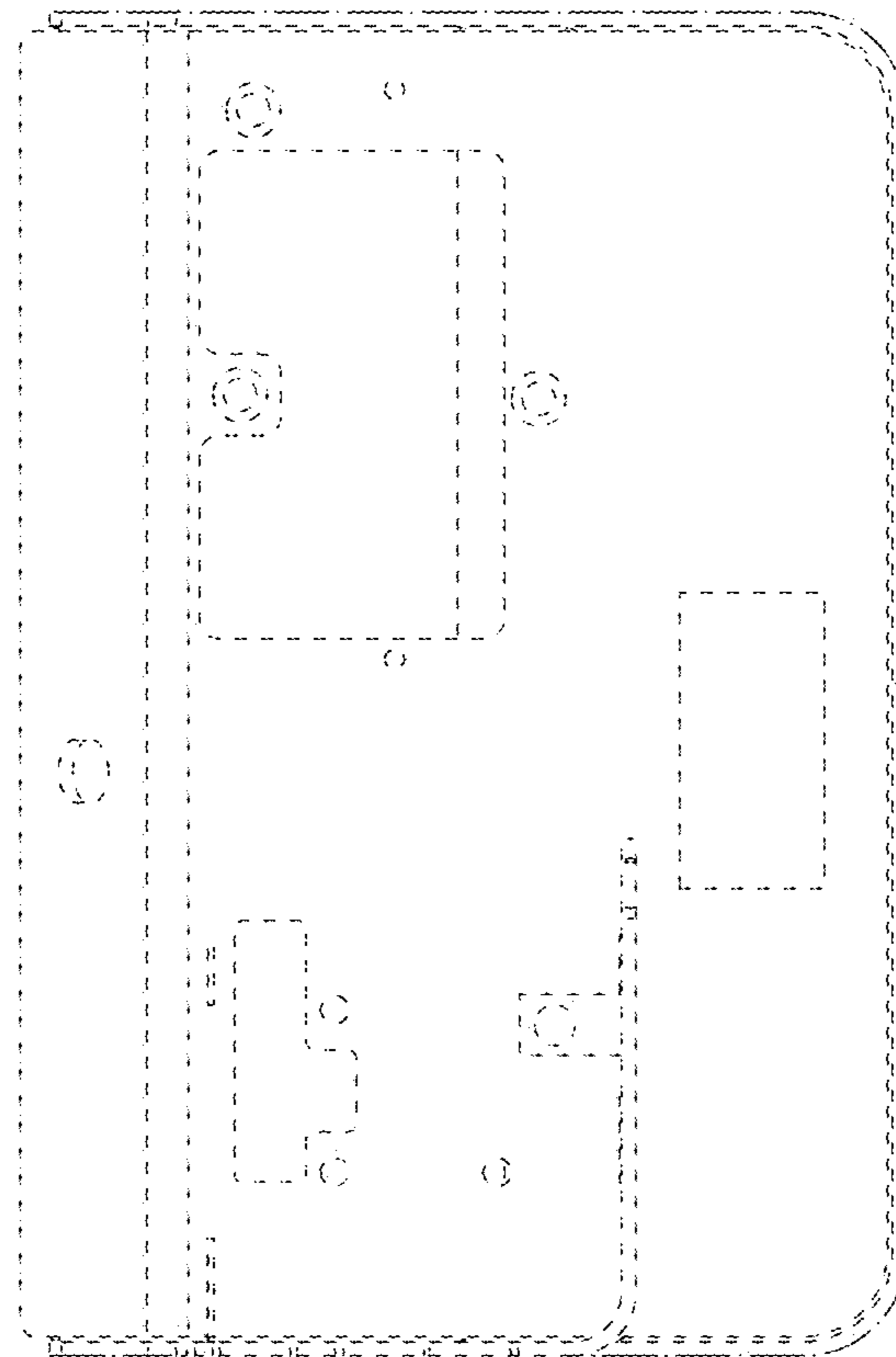


FIG. 7