



US00D985875S

(12) **United States Design Patent** (10) **Patent No.:** **US D985,875 S**
Wilson et al. (45) **Date of Patent:** **** May 9, 2023**

(54) SHIPPING RACK	D277,423 S * 1/1985 Rich B62B 3/02 D34/17
(71) Applicant: Racing Optics, Inc. , Las Vegas, NV (US)	D324,285 S * 2/1992 Macy B62B 3/005 D34/21
(72) Inventors: Stephen S. Wilson , Las Vegas, NV (US); Bart E. Wilson , Las Vegas, NV (US); Seth Wilson , Las Vegas, NV (US)	5,201,429 A * 4/1993 Hikosaka B65G 1/1375 D34/21
(73) Assignee: Racing Optics, Inc. , Las Vegas, NV (US)	D426,693 S * 6/2000 Thomsen D34/38 D430,965 S * 9/2000 Koberlein D34/28 D442,759 S * 5/2001 Bowman D34/38 6,598,890 B2 * 7/2003 Mears A01C 7/04 280/47.35
	D491,330 S * 6/2004 Violo D34/21 (Continued)

(**) Term: **15 Years**

OTHER PUBLICATIONS

(21) Appl. No.: **29/864,415**

wakefeldequipment.com, A-Type shipping racks, retrieved Dec. 27, 2022, <https://wakefeldequipment.com/portfolio-item/type-shipping-racks/> (Year: 2022).*

(22) Filed: **May 26, 2022**

(Continued)

(51) **LOC (14) Cl.** **09-08**

(52) **U.S. Cl.**
USPC **D34/38**

Primary Examiner — Cynthia Ramirez
(74) *Attorney, Agent, or Firm* — Stetina Brunda Garred and Brucker

(58) **Field of Classification Search**
USPC D34/12, 13, 14, 15, 16, 17, 18, 19, 20,
D34/21, 22, 23, 24, 25, 26, 27, 38

CPC B65D 2519/00333; B65D 2519/00273;
B65D 2519/00572; B65D 2519/00059;
B65D 2519/00024

(57) **CLAIM**

See application file for complete search history.

The ornamental design for a shipping rack, as shown and described.

(56) **References Cited**

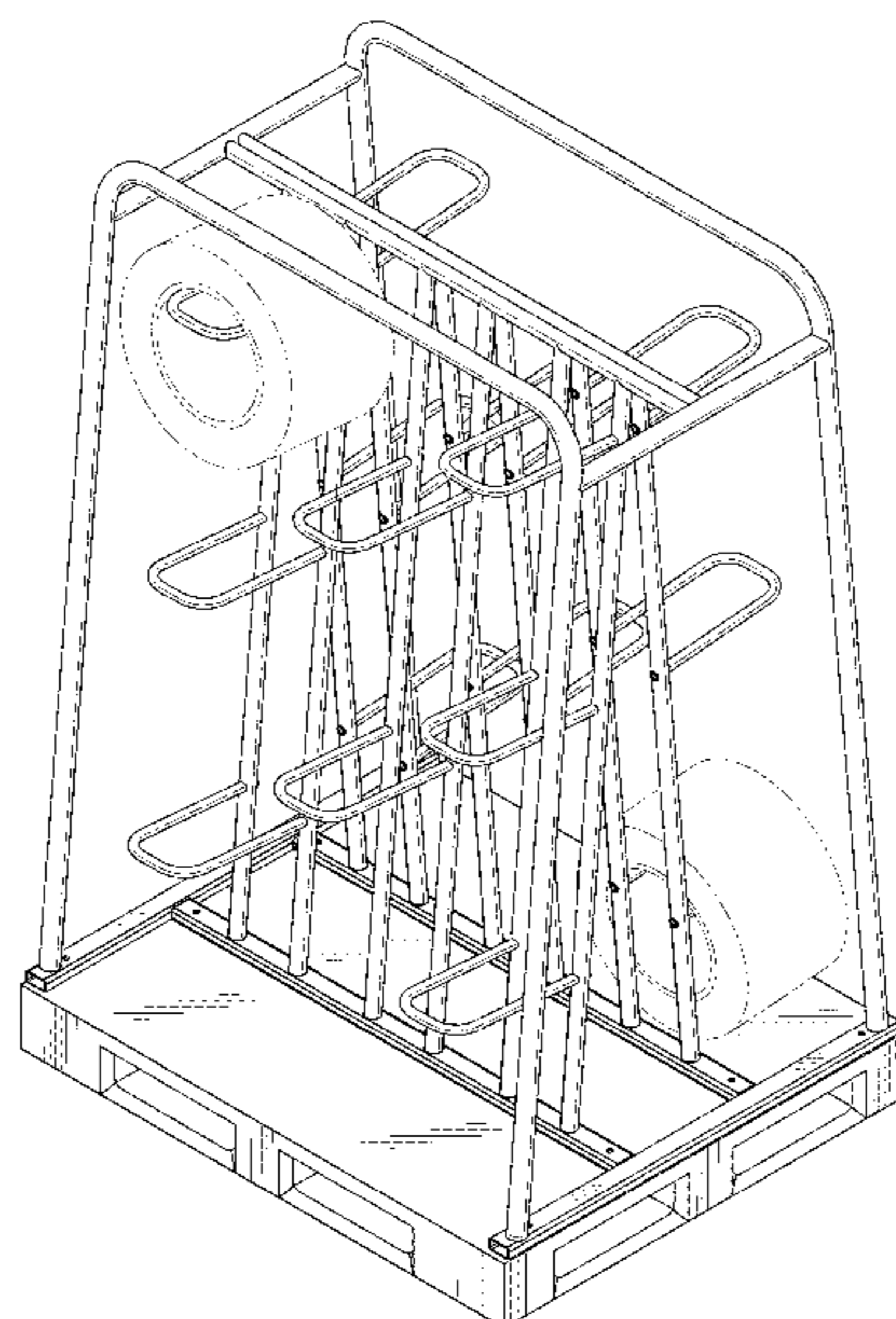
DESCRIPTION

U.S. PATENT DOCUMENTS

3,101,148 A *	8/1963	Brown	A47F 5/13 108/163
3,242,883 A *	3/1966	Aronis	B65D 19/44 108/52.1
3,908,562 A *	9/1975	Wittschen	B62B 3/02 108/177
3,955,676 A *	5/1976	Hansen	B65G 49/062 211/49.1
4,275,665 A *	6/1981	Silverman	B62B 3/005 108/189
D265,517 S *	7/1982	Dunchock	D34/17

FIG. 1 is a front perspective view of the shipping rack showing our new design;
FIG. 2 is a front elevational view thereof;
FIG. 3 is a side elevational view thereof;
FIG. 4 is a top plan view thereof; and,
FIG. 5 is a bottom plan view thereof.
The dash-dot lines show environment which form no part of the claimed design.

1 Claim, 4 Drawing Sheets



(56)

References Cited

U.S. PATENT DOCUMENTS

7,918,165	B2 *	4/2011	Owen	B65D 19/385 108/55.3
8,353,647	B2 *	1/2013	Crane	B65D 88/022 410/46
D706,013	S *	5/2014	Kupferschlager	D34/38
D713,114	S *	9/2014	Etchegary	D34/38
D715,014	S *	10/2014	Schwake	D34/38
10,011,290	B2 *	7/2018	Abel	B62B 3/005
11,229,285	B1 *	1/2022	Spadavecchia	A47B 81/007
2011/0047890	A1 *	3/2011	Lucht	B65D 19/0073 52/79.5
2012/0007343	A1 *	1/2012	Webster	B62B 3/108 280/659
2015/0028616	A1 *	1/2015	Kroening	B60B 33/0026 296/35.3
2016/0200338	A1 *	7/2016	Papadakis	B62B 3/10 280/79.3
2019/0202598	A1 *	7/2019	Dickson	B65D 19/44
2020/0277103	A1 *	9/2020	Kiolbasa	B65D 19/385
2021/0387767	A1 *	12/2021	Servaes	B65G 49/062
2022/0234817	A1 *	7/2022	Gunn	B65D 88/022

OTHER PUBLICATIONS

globalindustrial.com, Global industrial reel rack starter unit, retrieved Dec. 27, 2022, <https://www.globalindustrial.com/p/reel-rack-starter-unit-48-w-x-36-d-x-120-h> (Year: 2022).*

Shipping Rack, photo, at least one-year prior to the filing date of the subject application, 1 page.

* cited by examiner

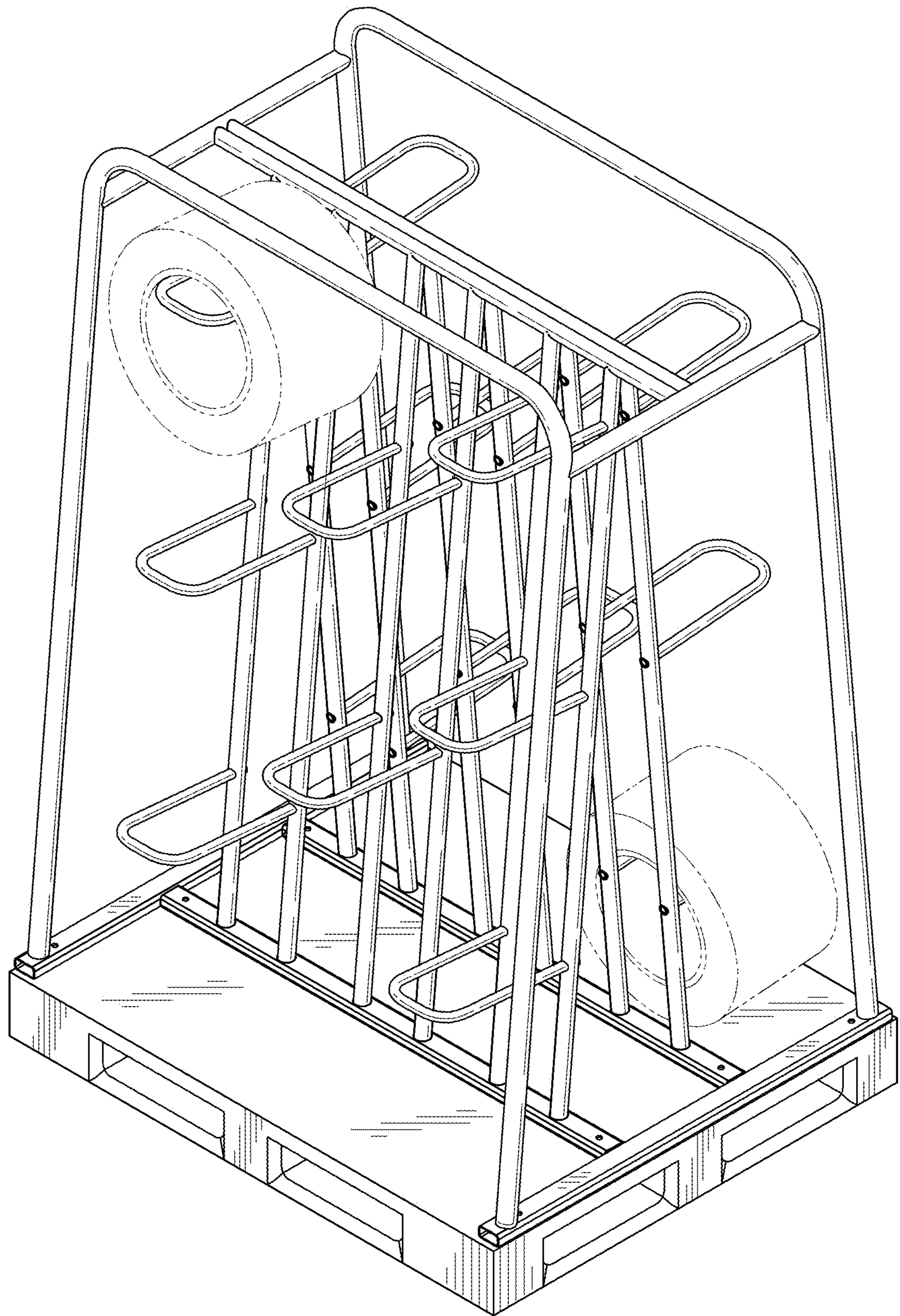


FIG. 1

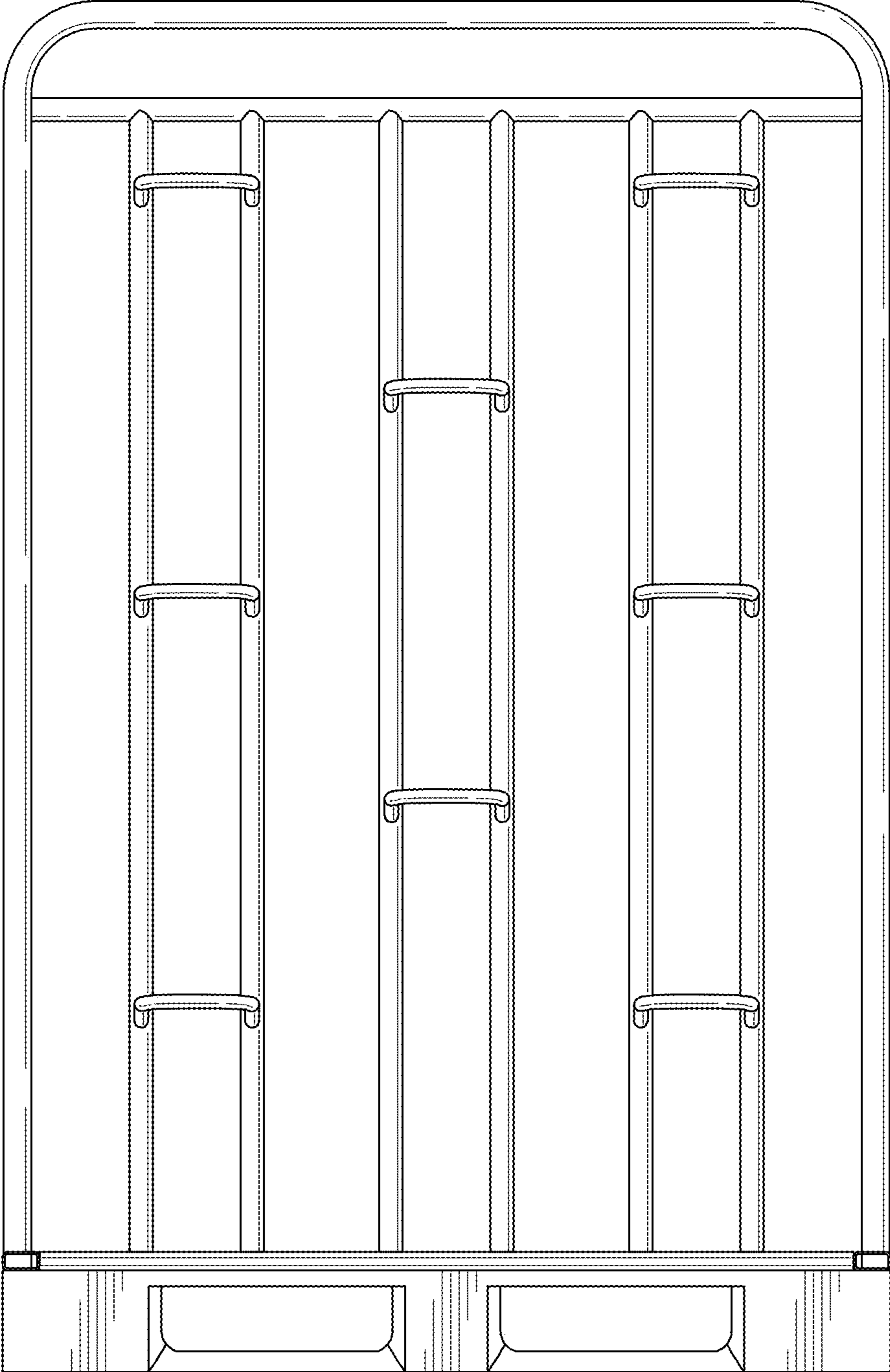


FIG. 2

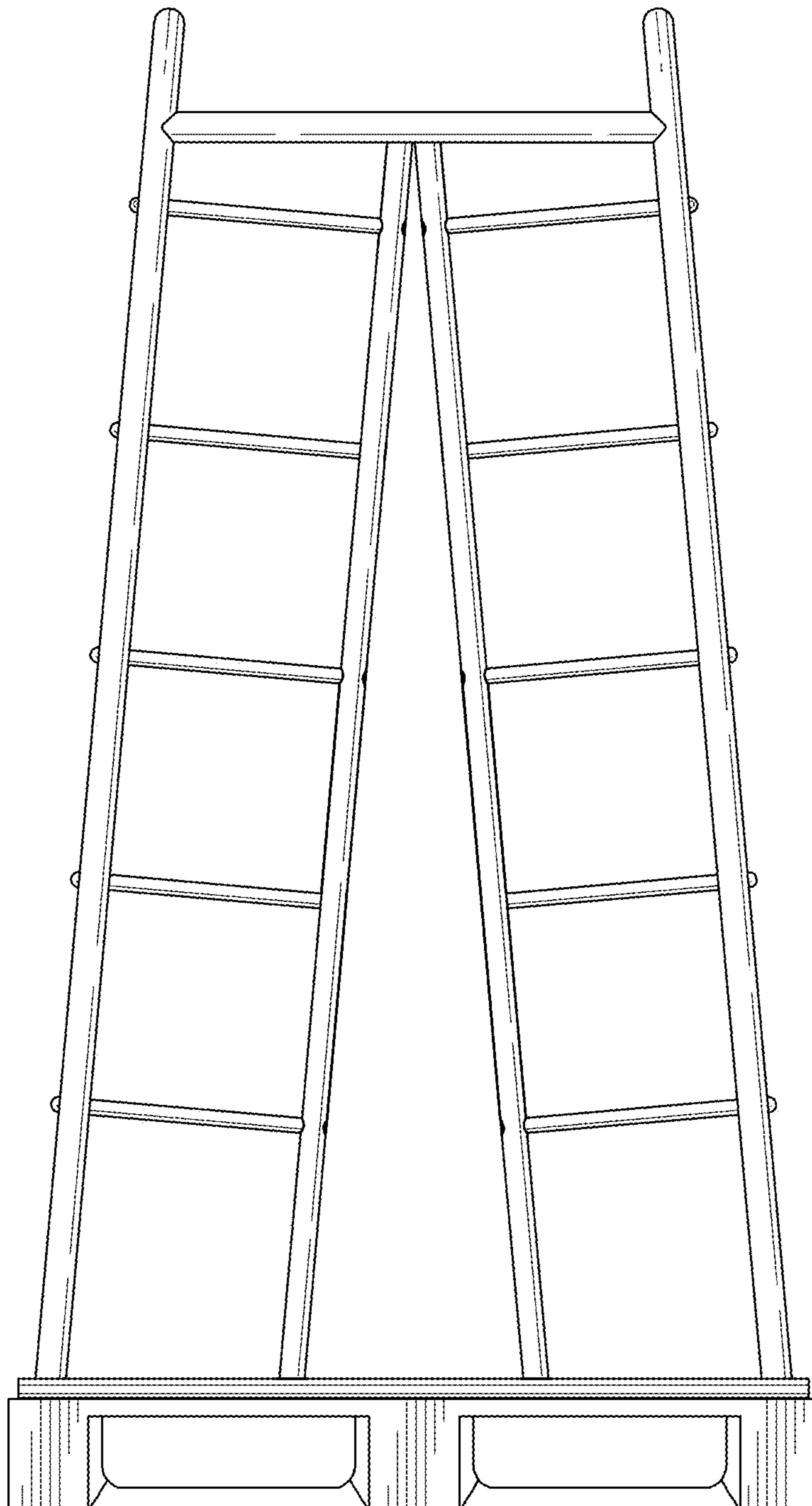


FIG. 3

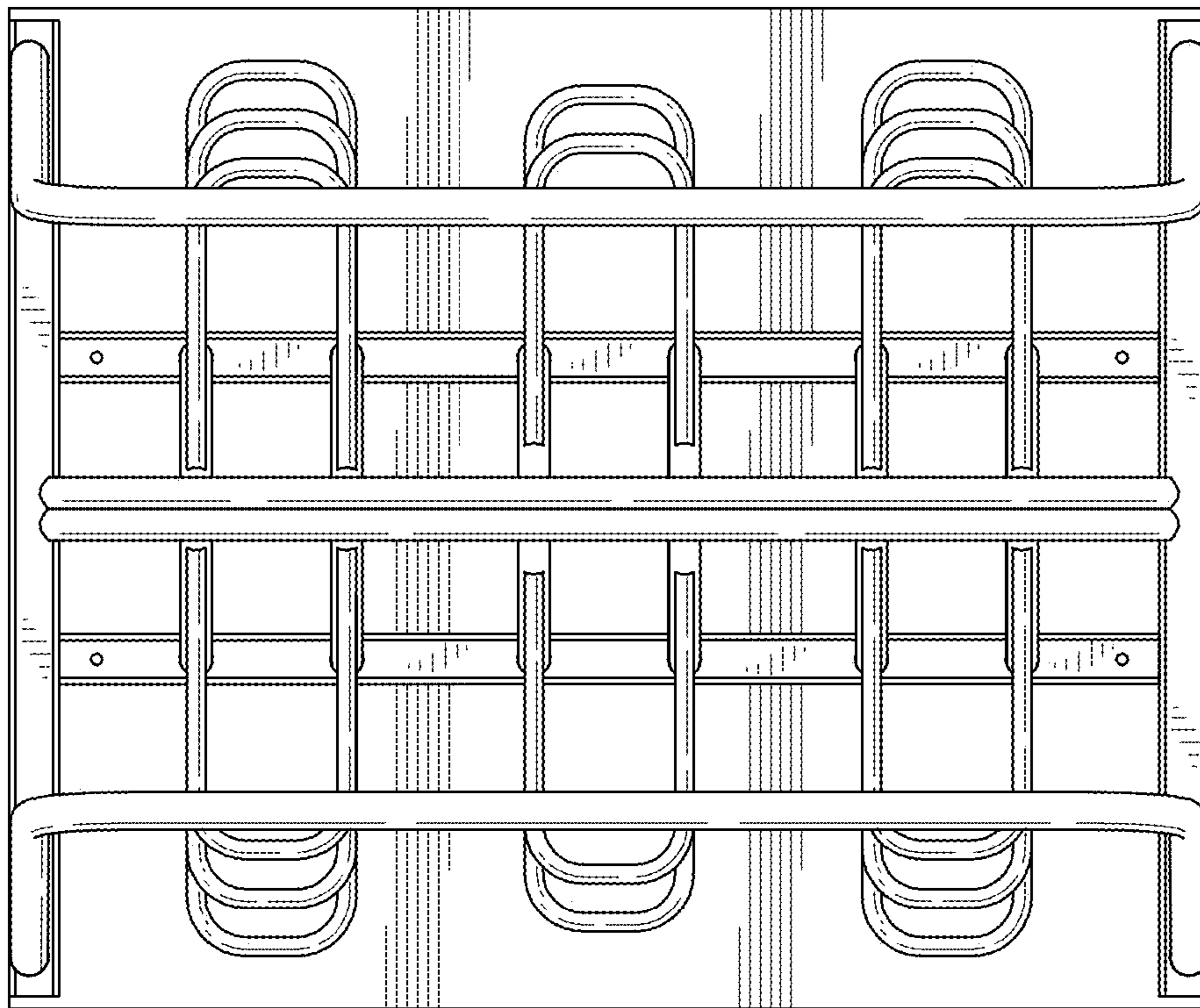


FIG. 4

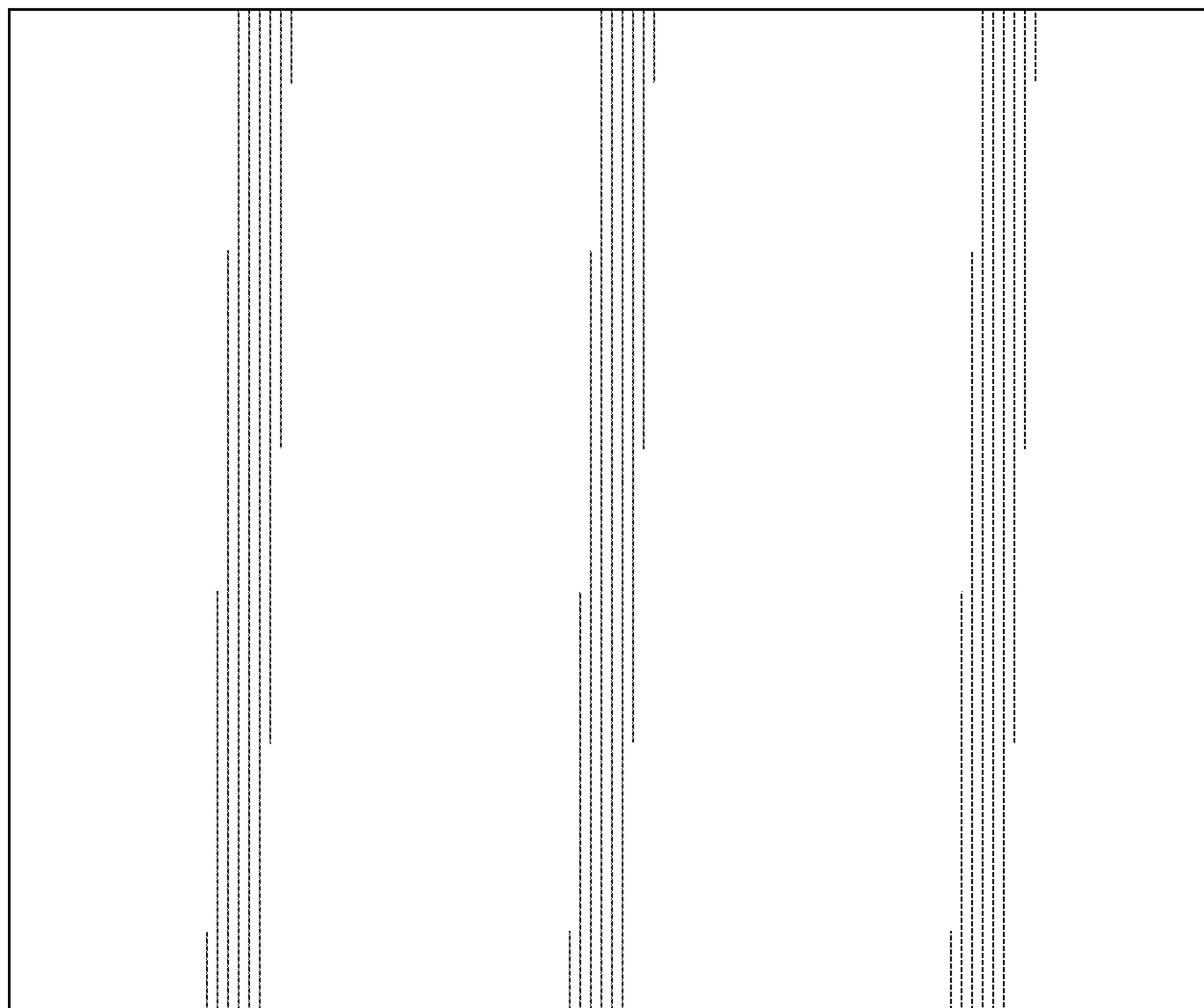


FIG. 5