



US00D985874S

(12) **United States Design Patent**
Swinney et al.

(10) **Patent No.:** **US D985,874 S**

(45) **Date of Patent:** **** May 9, 2023**

- (54) **CART**
- (71) Applicant: **Omni Cubed, Inc.**, Shingle Springs, CA (US)
- (72) Inventors: **Stephen Paul Swinney**, Placerville, CA (US); **Larry Leigh Livingston, Jr.**, Cameron Park, CA (US)
- (73) Assignee: **Omni Cubed, Inc.**, Shingle Springs, CA (US)
- (**) Term: **15 Years**
- (21) Appl. No.: **29/767,755**
- (22) Filed: **Jan. 25, 2021**
- (51) **LOC (14) Cl.** **12-02**
- (52) **U.S. Cl.**
USPC **D34/23**
- (58) **Field of Classification Search**
USPC D34/12, 23, 27
CPC .. B62B 1/002; B62B 1/14; B62B 3/00; B62B 3/02; B62B 3/04; B62B 5/0083; B62B 5/06; B62B 5/04; B60P 1/00
See application file for complete search history.

(56) **References Cited**

U.S. PATENT DOCUMENTS

- 4,415,173 A * 11/1983 Tenebruso A45C 13/385
280/47.131
- 4,700,798 A * 10/1987 Johansson G09B 19/167
180/209
- 4,934,720 A * 6/1990 Dobron B62B 5/0083
108/56.1
- 5,049,025 A * 9/1991 Roman B66F 5/025
414/429
- D371,450 S * 7/1996 Hodges D34/23
- 6,109,625 A * 8/2000 Hewitt F16M 11/22
280/43.24
- D436,708 S * 1/2001 Whiteside D34/27

- 6,203,031 B1 * 3/2001 Leverington B62B 5/0083
280/35
- D458,432 S * 6/2002 Whiteside D34/23
- D488,905 S * 4/2004 DiStaulo D34/28
- D634,502 S * 3/2011 Jorgensen D34/23
- D650,545 S * 12/2011 Malone, Jr. B62B 5/0083
D34/23
- D814,134 S * 3/2018 Whiteside A45C 13/385
D34/27
- D830,661 S * 10/2018 Jensen D34/27
- D889,762 S * 7/2020 Taylor B62B 3/02
D34/12
- D917,824 S * 4/2021 Wyse B62B 5/0083
D34/27
- D933,924 S * 10/2021 Wyse B62B 5/0083
D34/23
- 2011/0156367 A1 * 6/2011 King B62B 5/0083
280/79.11

(Continued)

Primary Examiner — Cynthia Ramirez

(74) *Attorney, Agent, or Firm* — Manuel de la Cerra

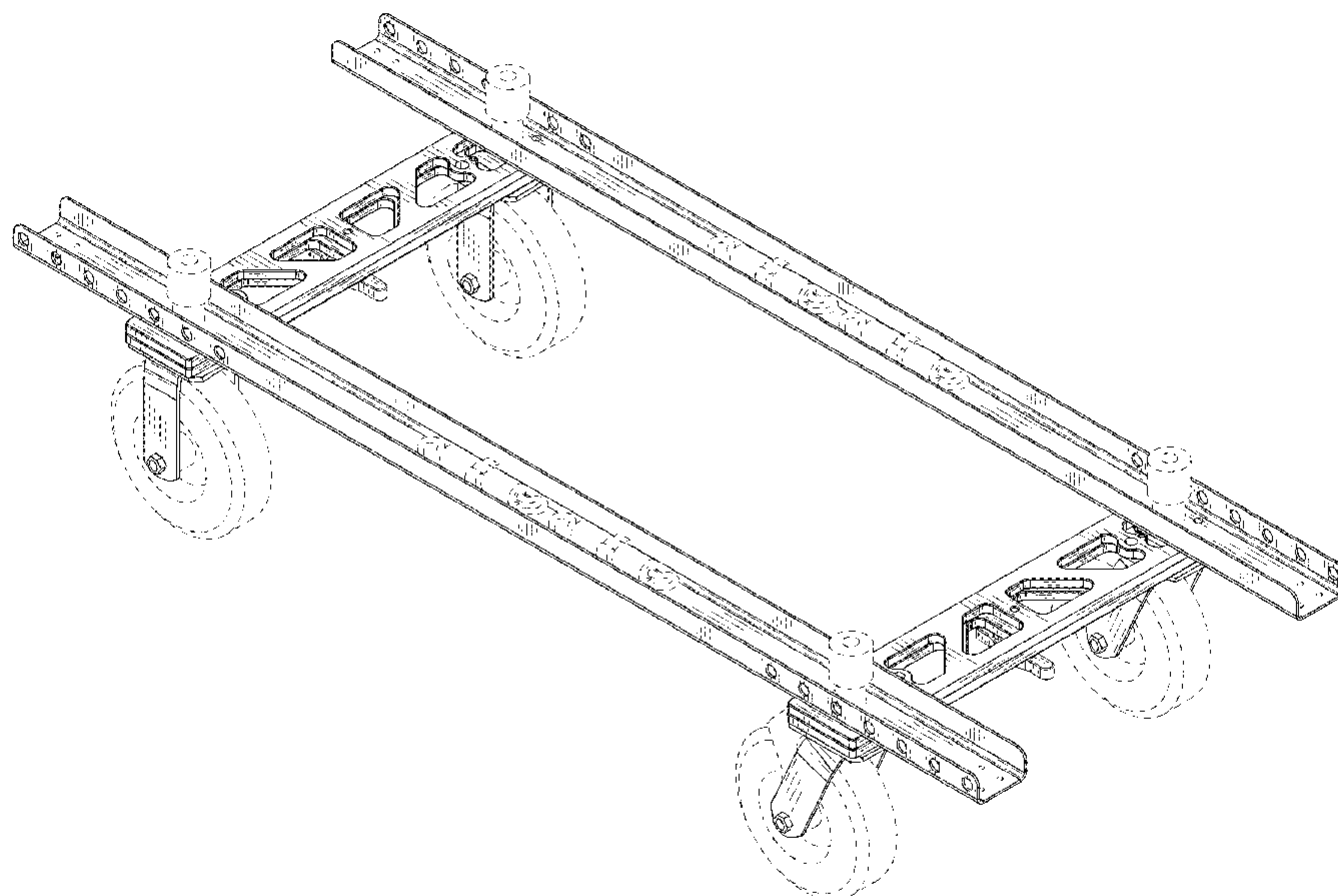
(57) **CLAIM**

The ornamental design for a cart, as shown and described.

DESCRIPTION

FIG. 1 is a top perspective view of a cart.
 FIG. 2 is bottom perspective view thereof.
 FIG. 3 is a top perspective view thereof, with the addition of decking.
 FIG. 4 is a top view thereof.
 FIG. 5 is a bottom view thereof.
 FIG. 6 is a left side view thereof.
 FIG. 7 is a right side view thereof.
 FIG. 8 is a front view thereof; and,
 FIG. 9 is a rear view thereof.
 The broken line showing of parts of the drawings is included for the purpose of illustrating use and environment, and forms no part of the claimed design.

1 Claim, 7 Drawing Sheets



(56)

References Cited

U.S. PATENT DOCUMENTS

2017/0095114 A1* 4/2017 O'Shaughnessy B62B 3/02

* cited by examiner

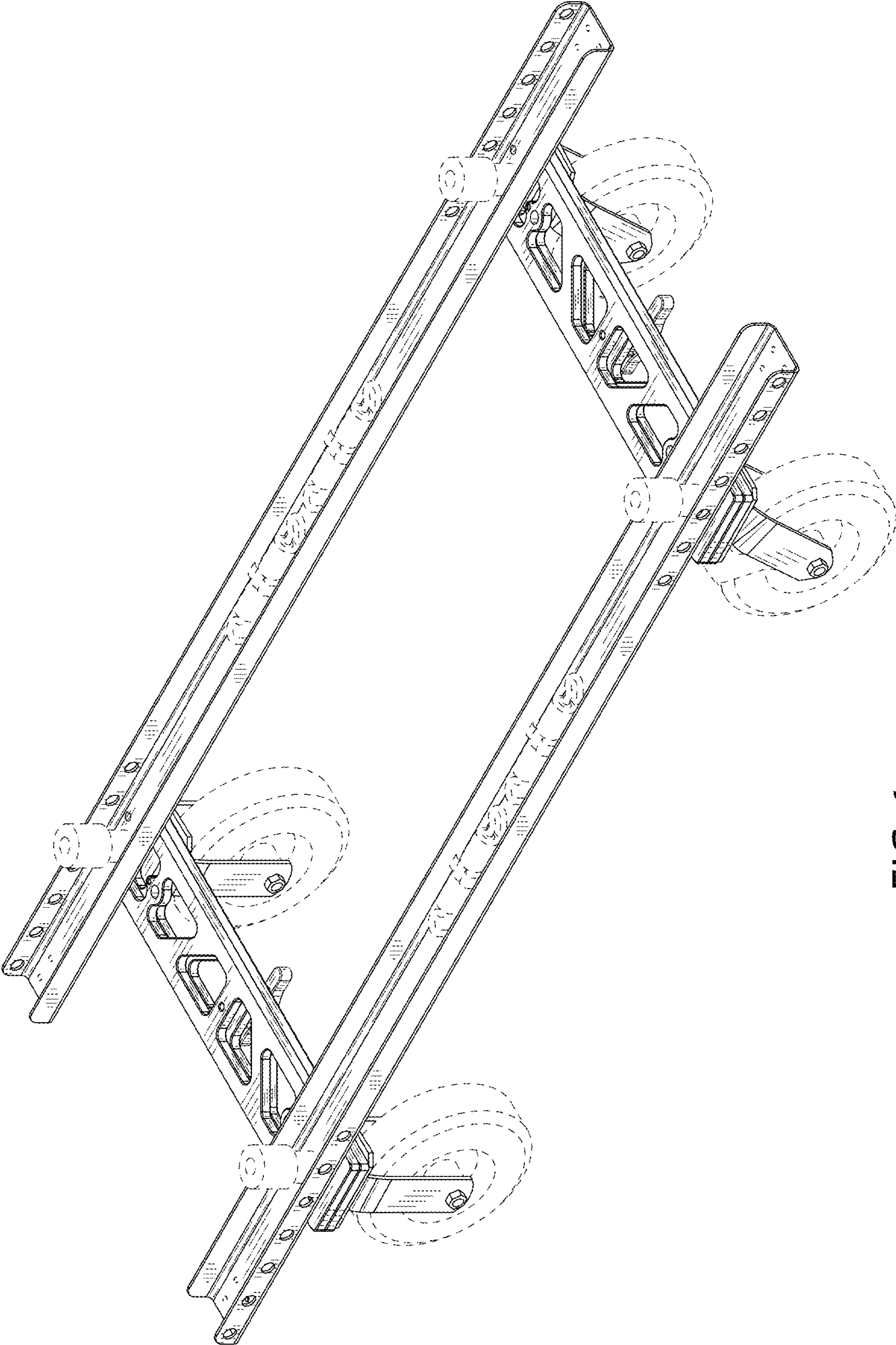


FIG. 1

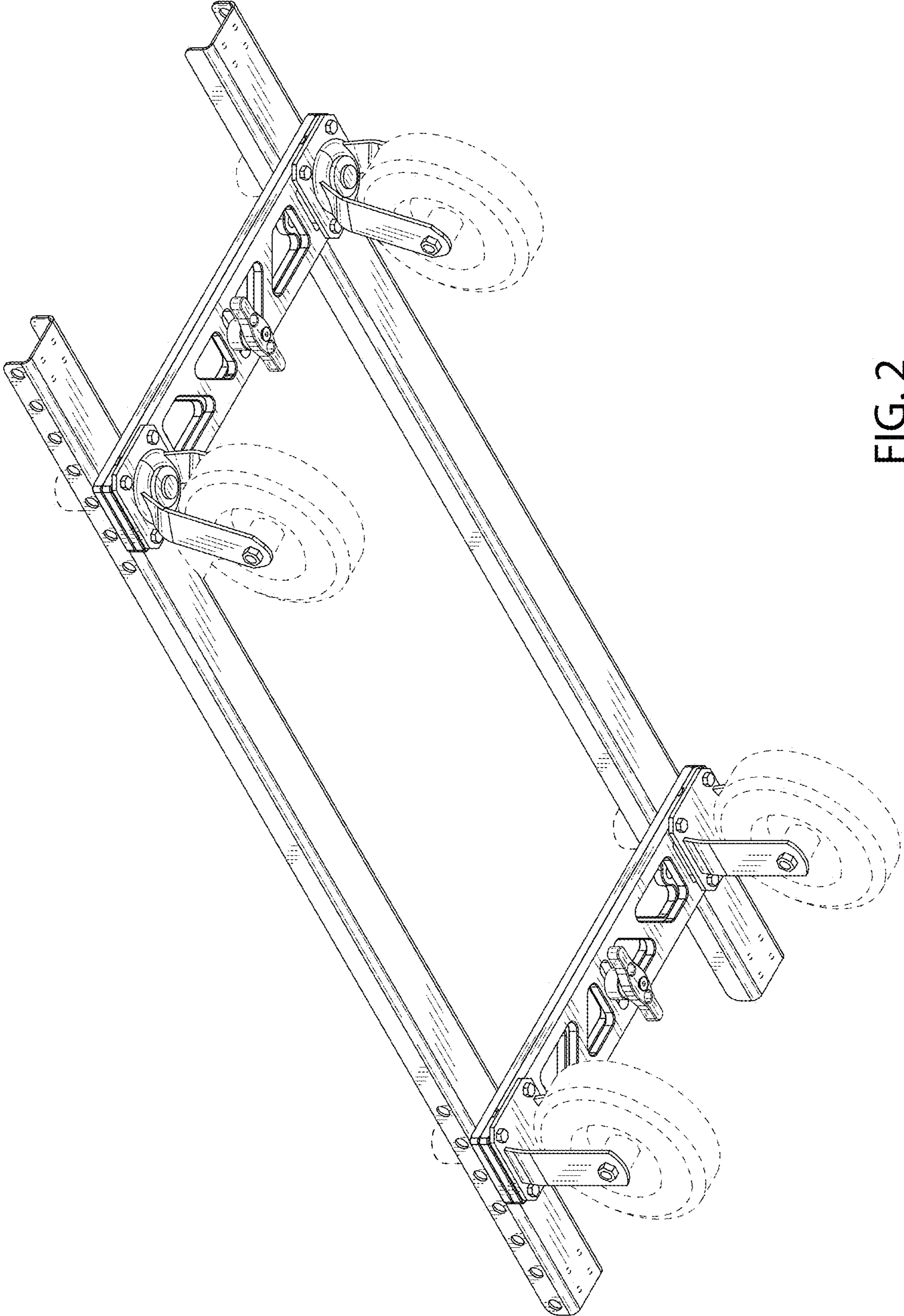


FIG. 2

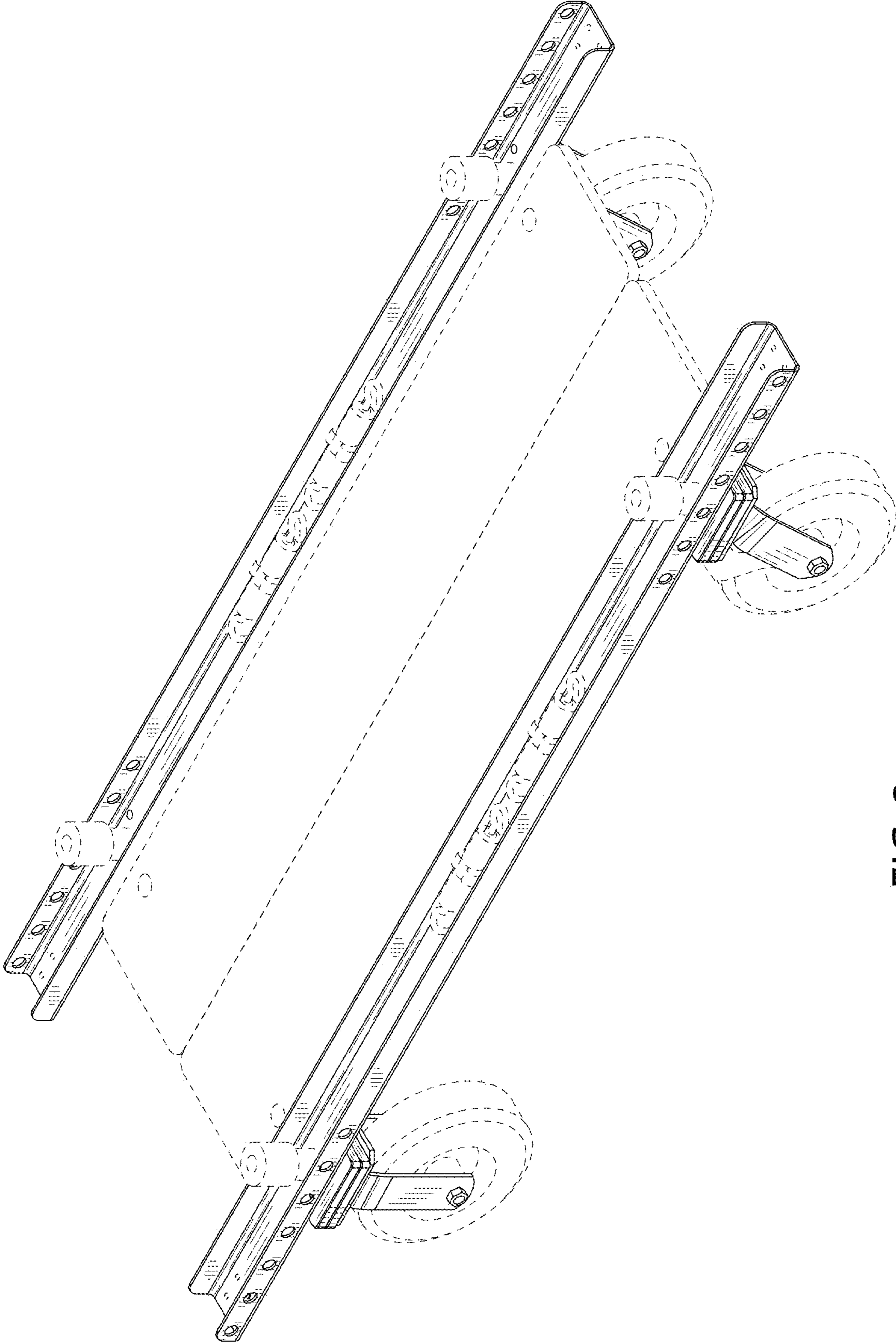


FIG. 3

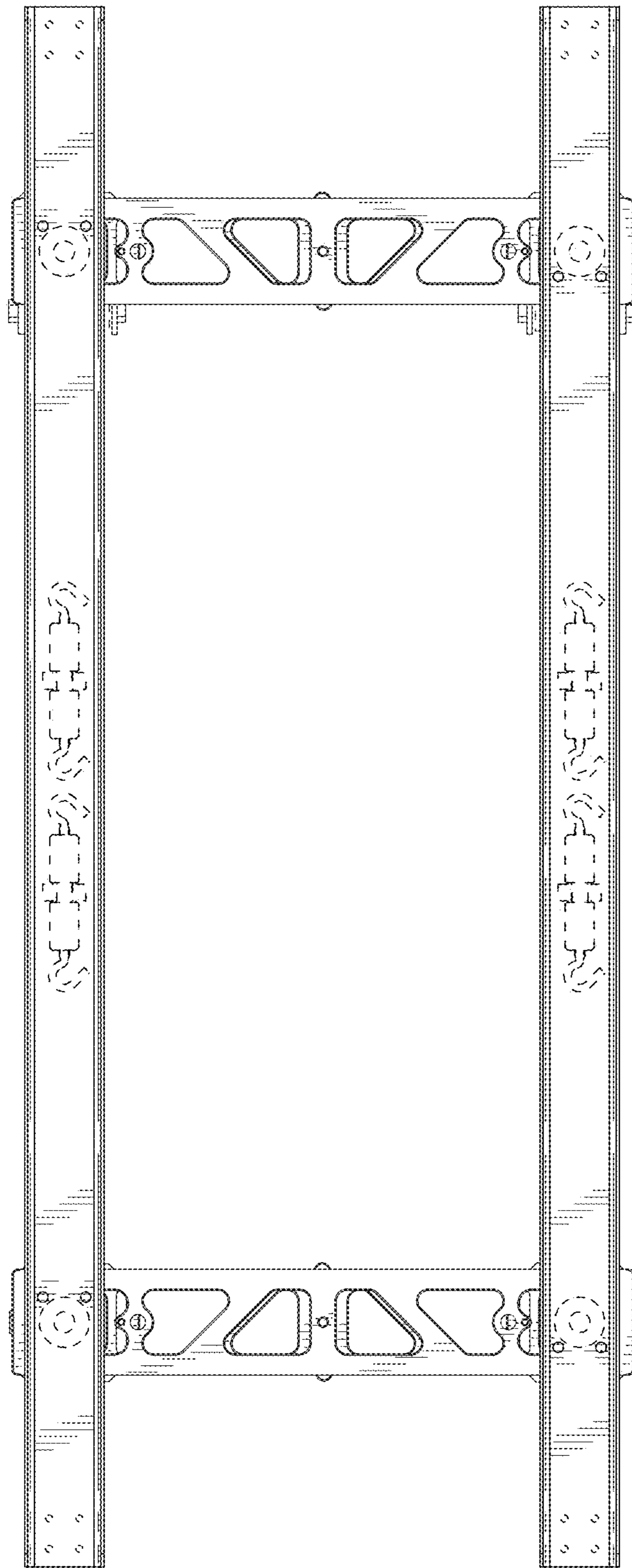


FIG. 4

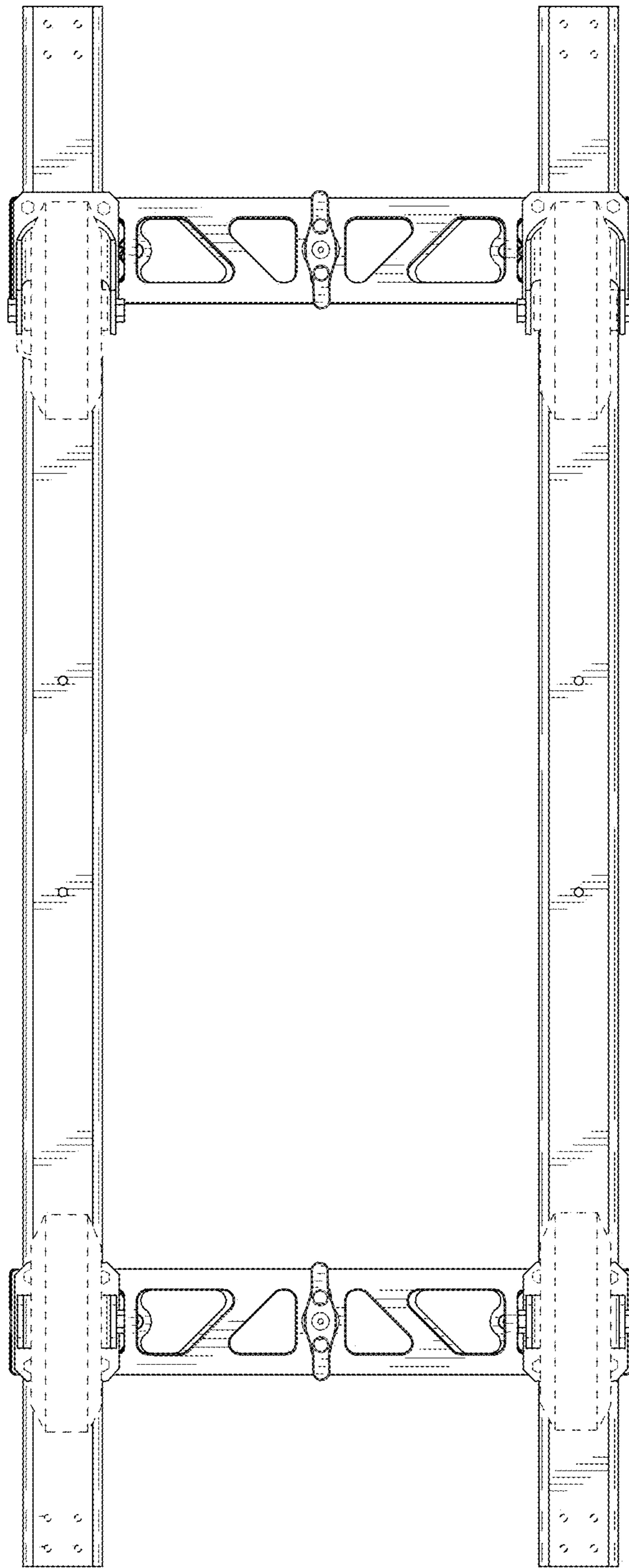


FIG. 5

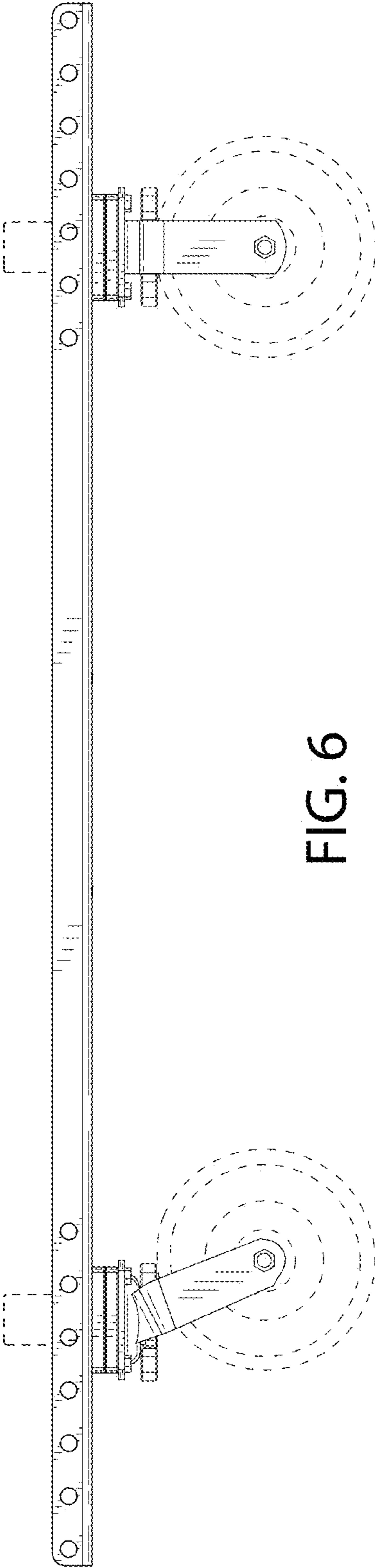


FIG. 6

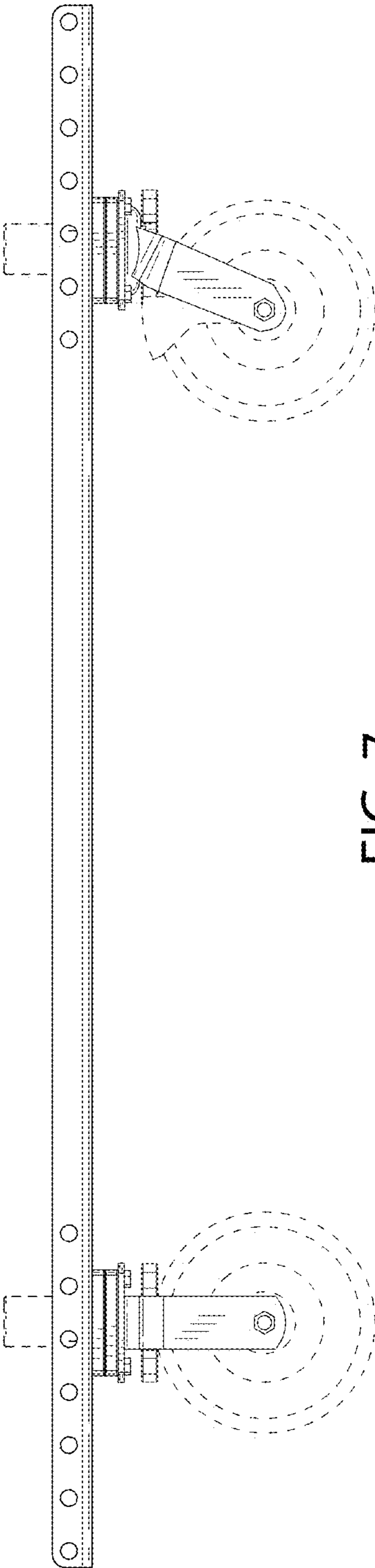


FIG. 7

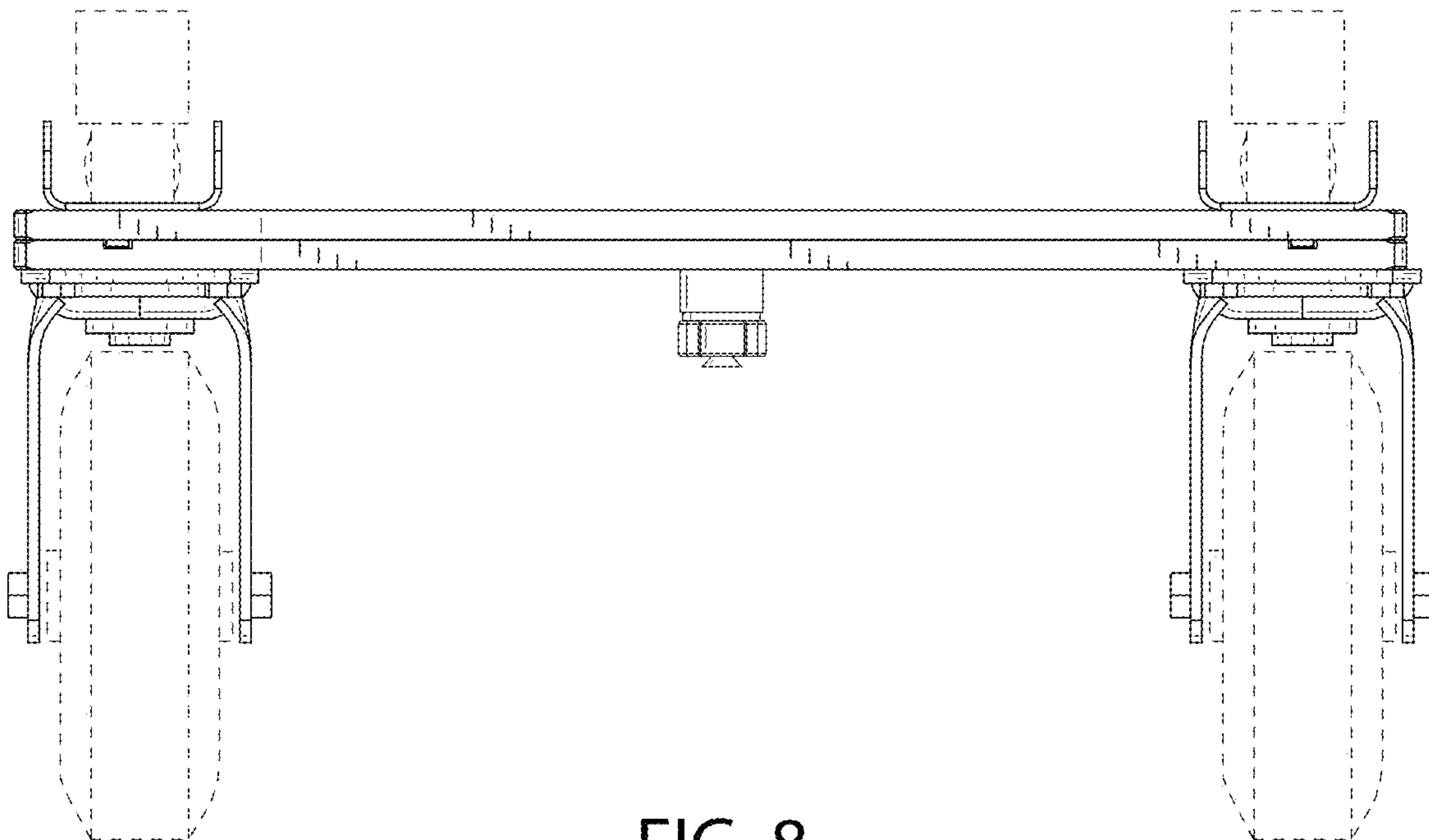


FIG. 8

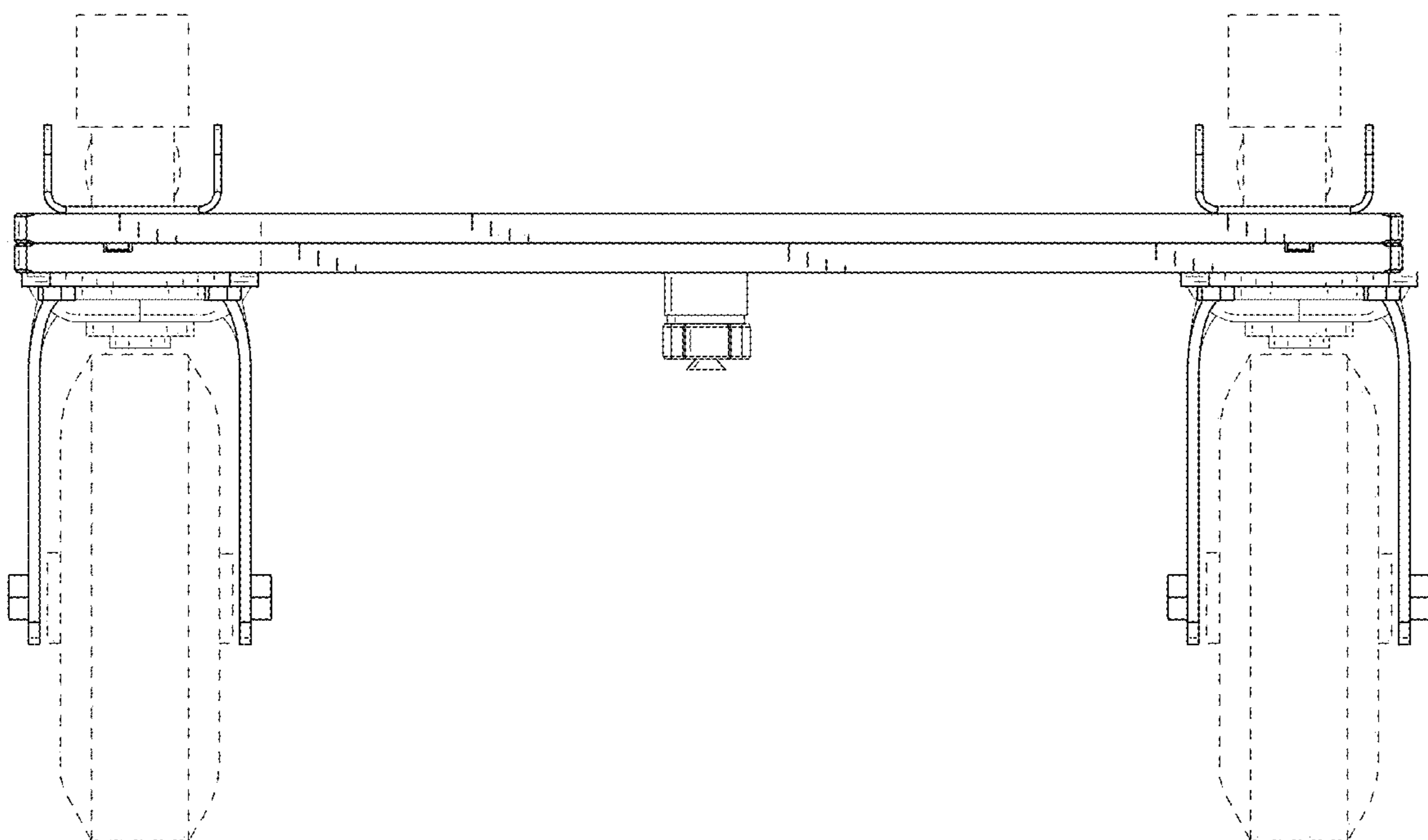


FIG. 9