



US00D985872S

(12) **United States Design Patent**
Kerla

(10) **Patent No.:** **US D985,872 S**

(45) **Date of Patent:** **** May 9, 2023**

(54) **GOLF CART**

(71) Applicant: **Semir Kerla**, Senec (SK)

(72) Inventor: **Semir Kerla**, Senec (SK)

(**) Term: **15 Years**

(21) Appl. No.: **35/513,891**

(22) Filed: **Sep. 23, 2021**

(80) **Hague Agreement Data**

Int. Filing Date: **Sep. 23, 2021**

Int. Reg. No.: **DM/218286**

Int. Reg. Date: **Sep. 23, 2021**

Int. Reg. Pub. Date: **Mar. 25, 2022**

(51) **LOC (14) Cl.** **12-02**

(52) **U.S. Cl.**
USPC **D34/15**

(58) **Field of Classification Search**
USPC D34/15
CPC A63B 55/30; A63B 55/40; A63B 55/60;
B62B 3/12; B62B 1/045; B62B 2202/406
See application file for complete search history.

(56) **References Cited**

U.S. PATENT DOCUMENTS

D273,905 S *	5/1984	Rosen	D34/15
D415,599 S *	10/1999	Muckala	D34/15
D459,850 S *	7/2002	Seng	D34/15
D488,606 S *	4/2004	Scholz	D34/15
7,934,729 B2 *	5/2011	Murphy	A63B 55/60 280/DIG. 6
D695,484 S *	12/2013	Powell	D34/15
D704,409 S *	5/2014	Reimers	D34/15

D704,410 S *	5/2014	Reimers	D34/15
10,722,769 B1 *	7/2020	Kim	A63B 55/50
2003/0146602 A1 *	8/2003	Lu	A63B 55/60 280/655
2006/0244243 A1 *	11/2006	Barton	B62B 1/045 280/652
2007/0039794 A1 *	2/2007	Hwang	A63B 55/30 280/DIG. 6
2007/0045139 A1 *	3/2007	Vosloo	A63B 55/40 206/315.6
2021/0299528 A1 *	9/2021	Logan	B62B 3/12

* cited by examiner

Primary Examiner — Cynthia Ramirez

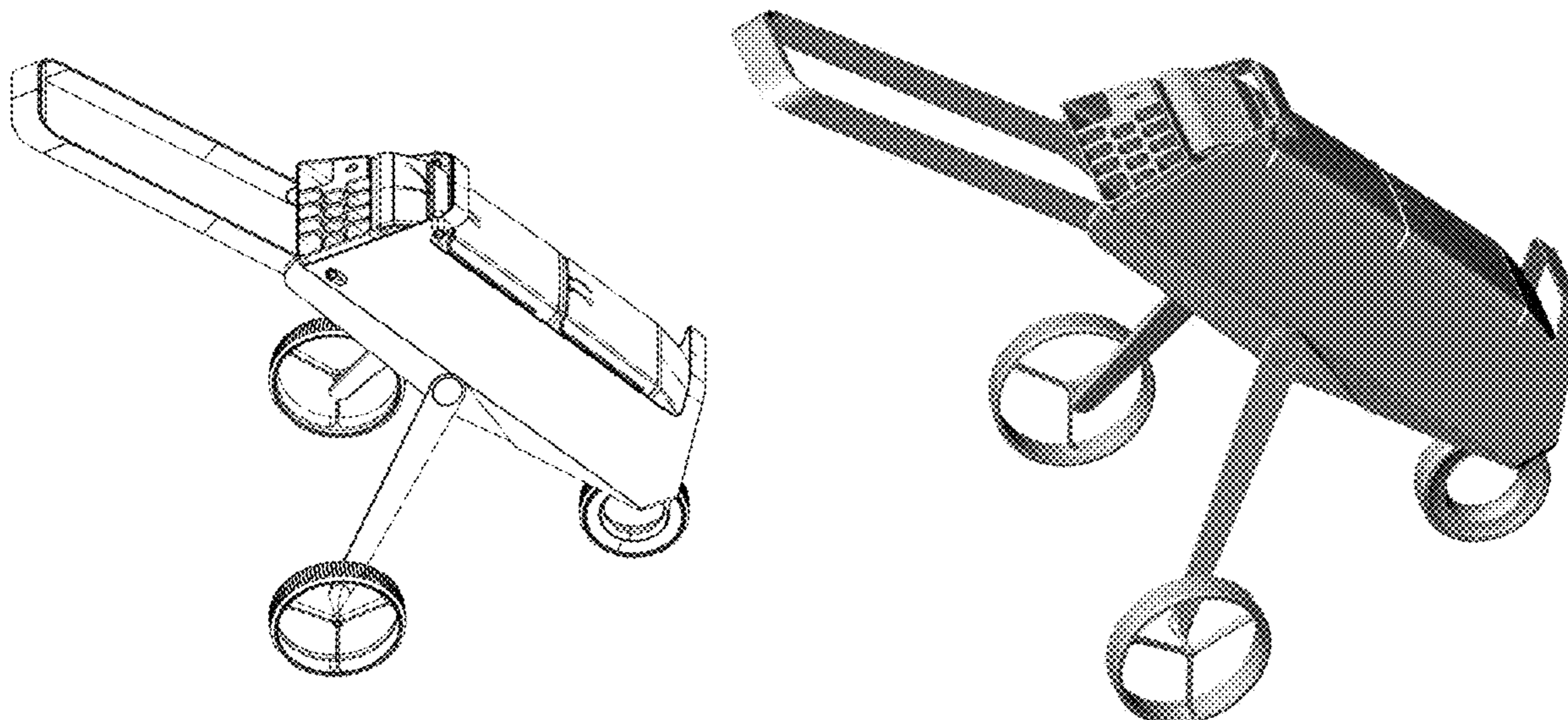
(57) **CLAIM**

The ornamental design for a golf cart, as shown and described.

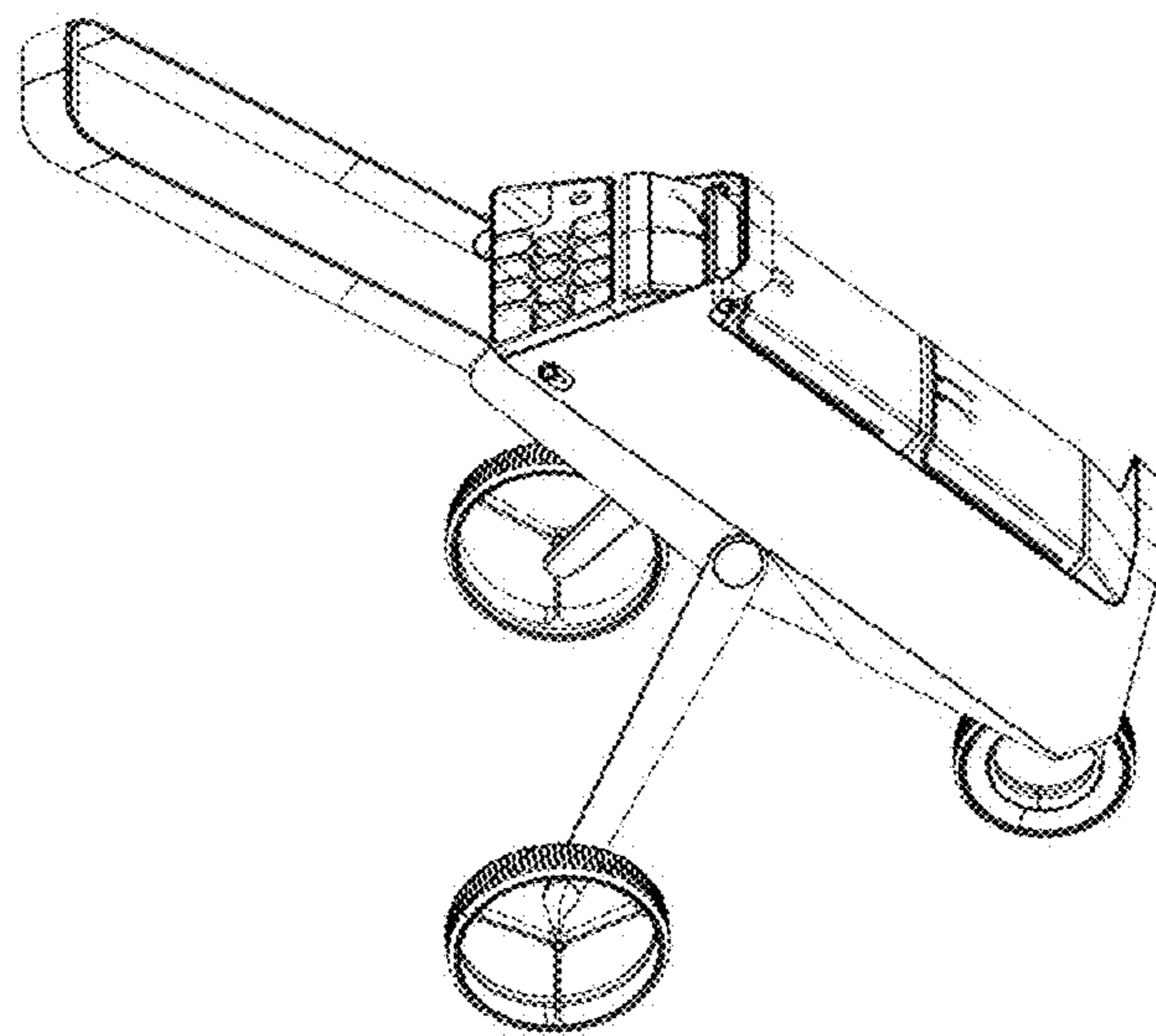
DESCRIPTION

1. Golf cart
2. Golf cart
 - 1.1 Front Perspective
 - 1.2 Left
 - 1.3 Front
 - 1.4 Rear
 - 1.5 Top
 - 1.6 Perspective
 - 1.7 Exploded
 - 2.1 Front Perspective
 - 2.2 Left
 - 2.3 Front
 - 2.4 Rear
 - 2.5 Top
 - 2.6 Perspective
 - 2.7 Exploded

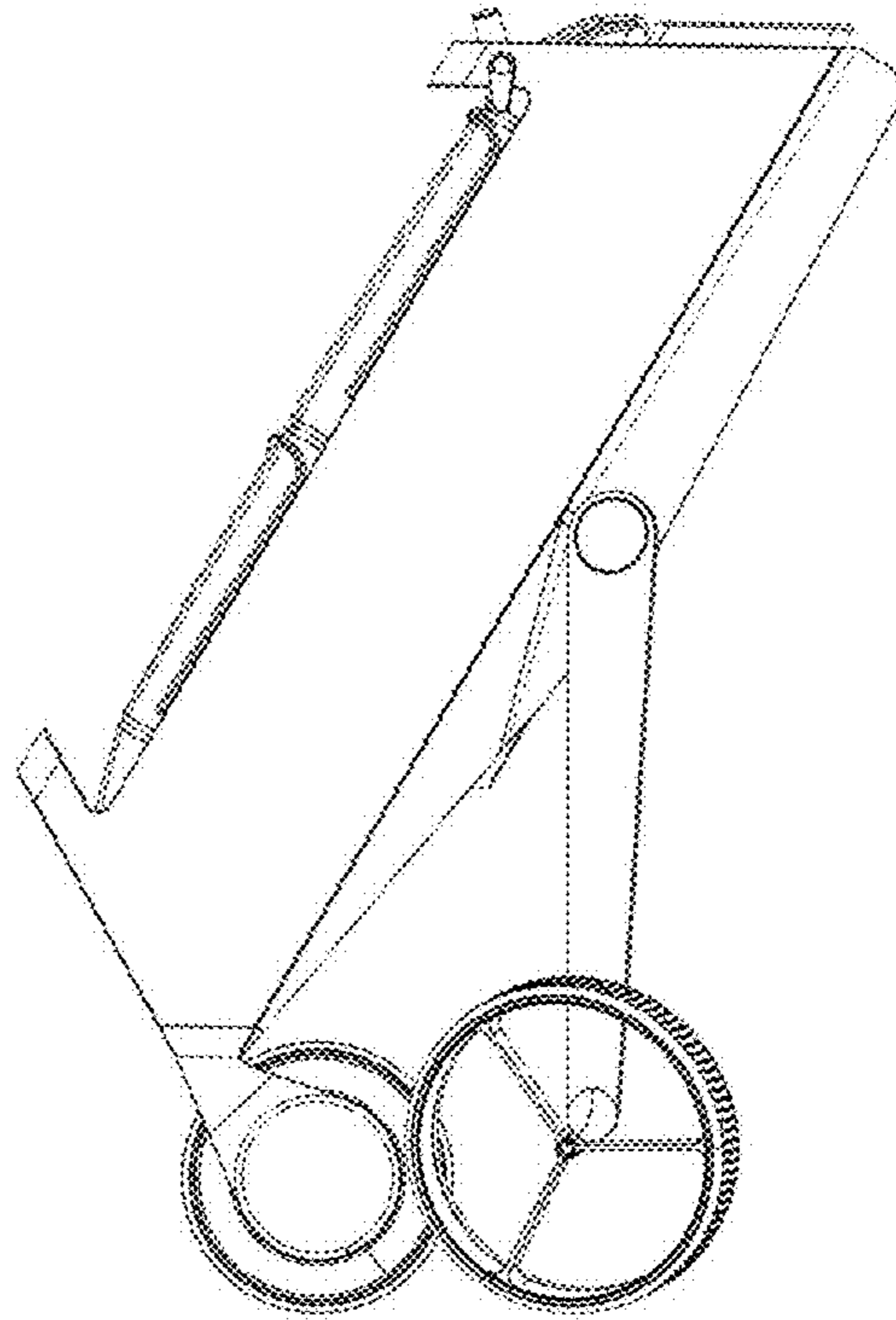
1 Claim, 14 Drawing Sheets



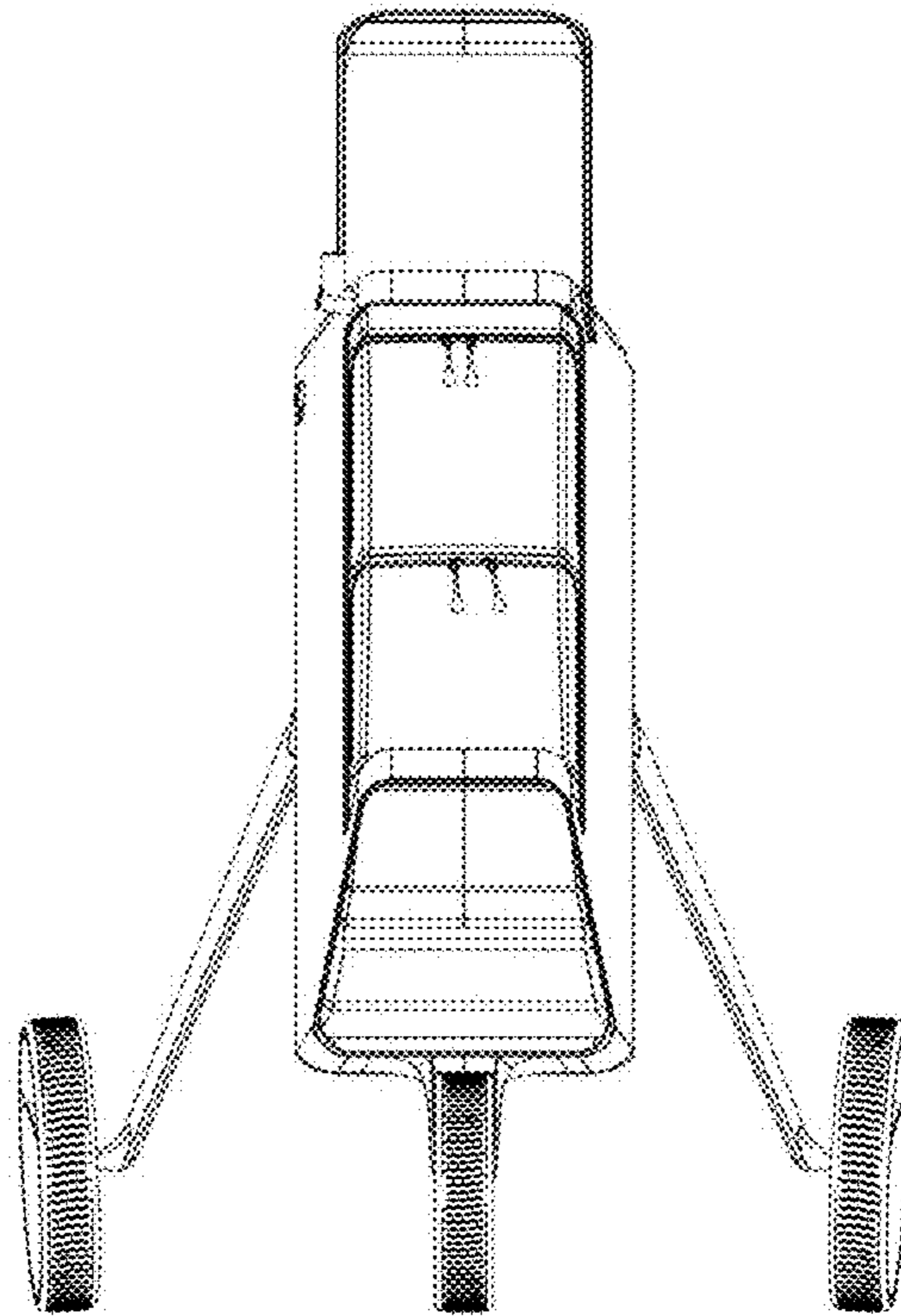
1.1



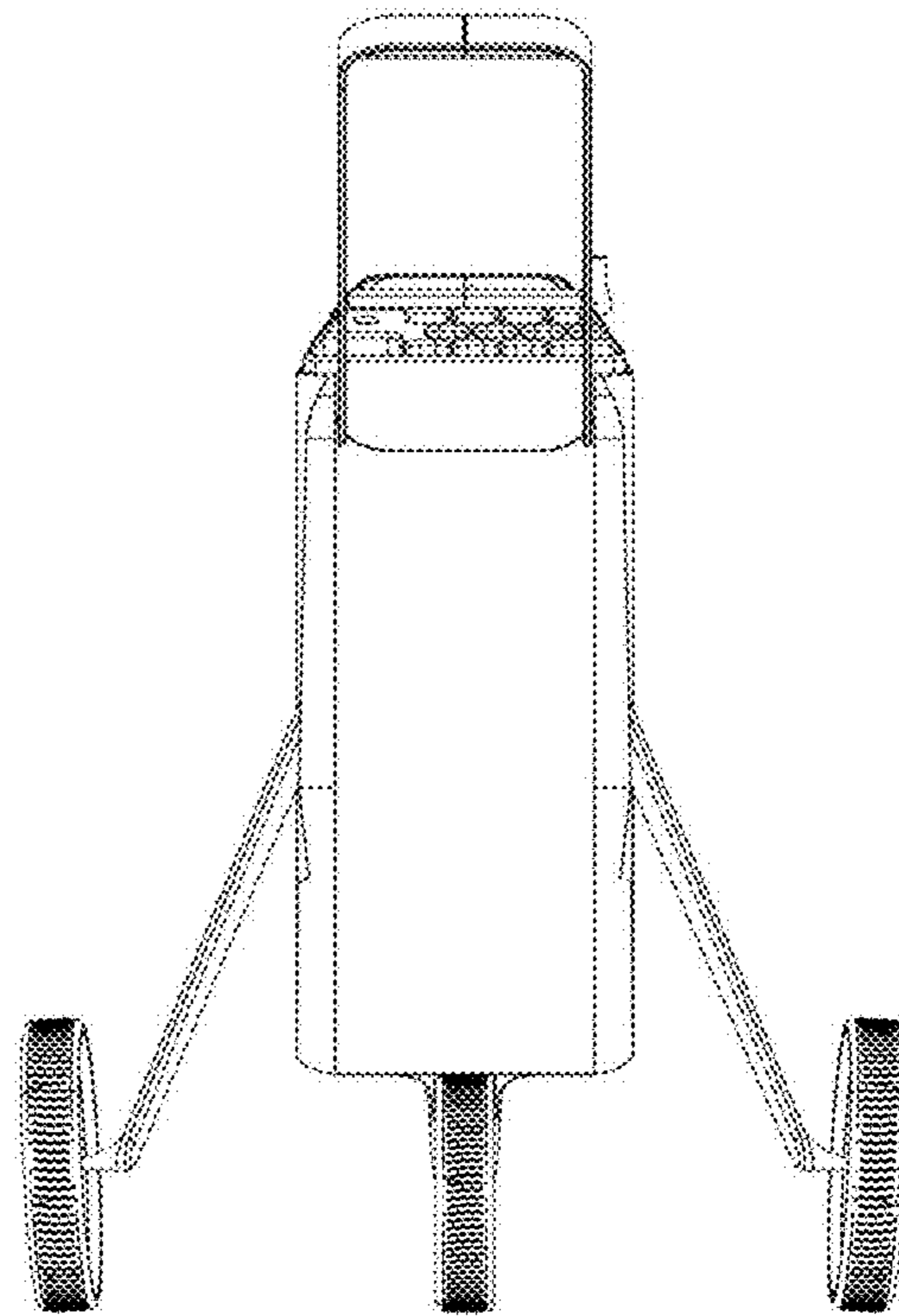
1.2



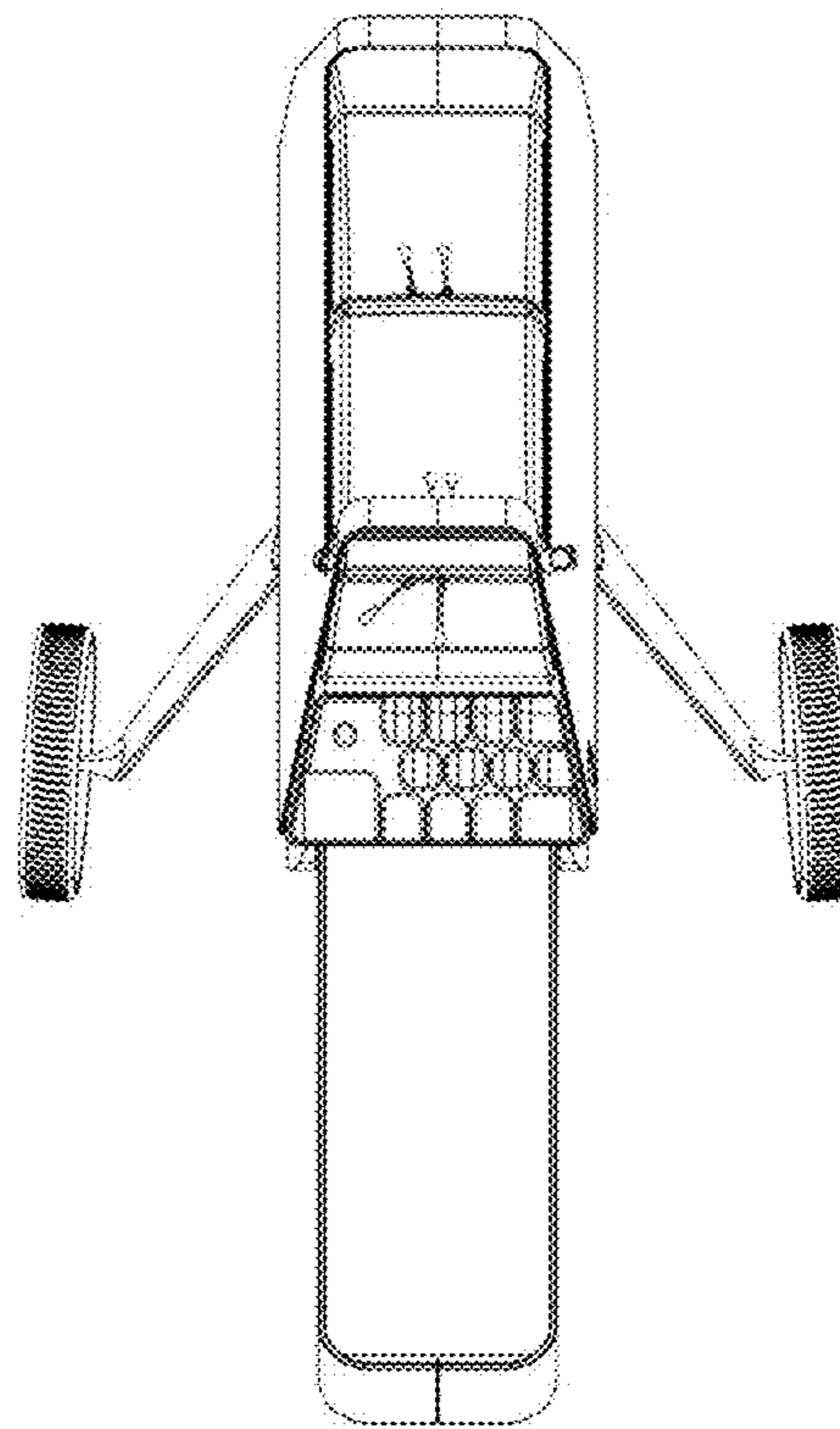
1.3



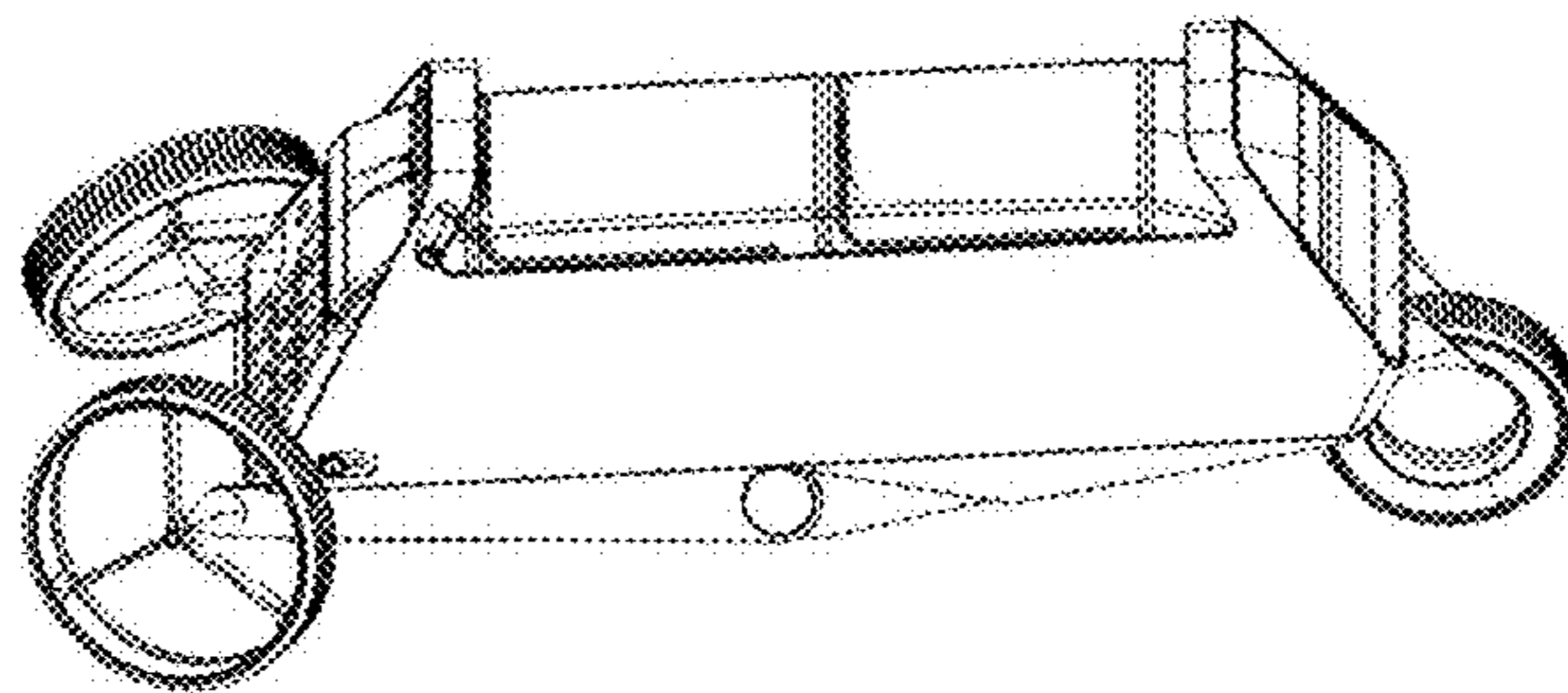
1.4



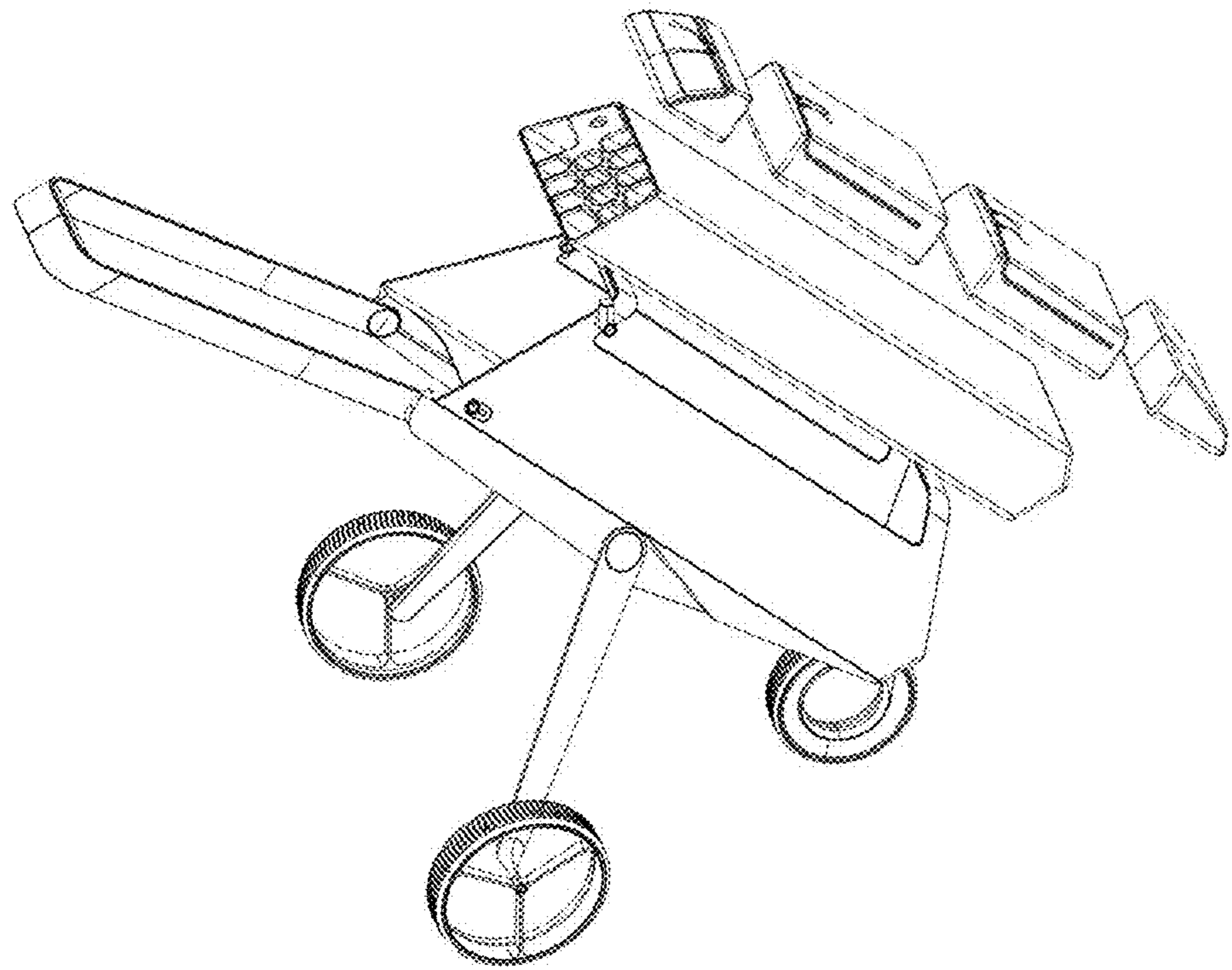
1.5



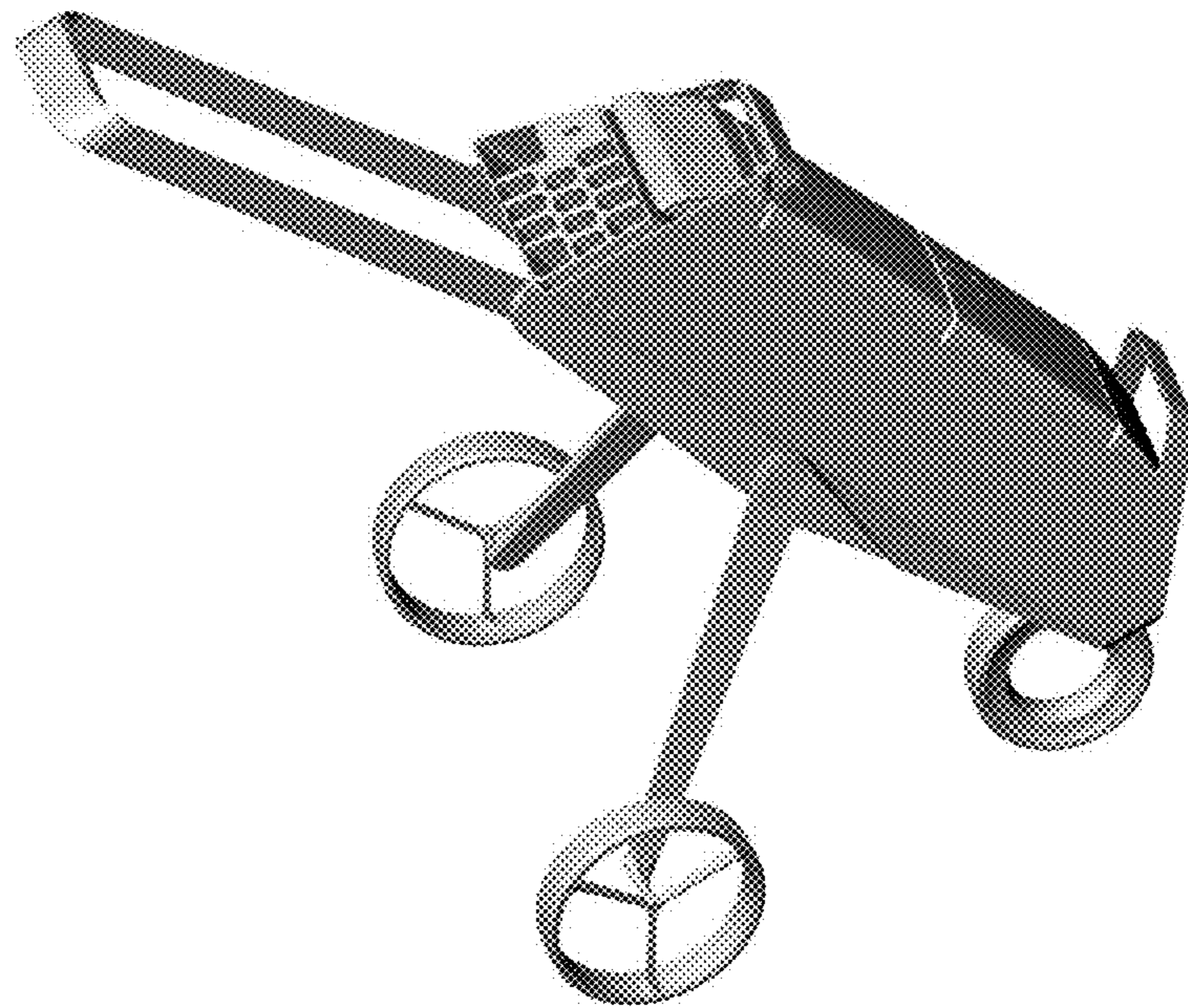
1.6



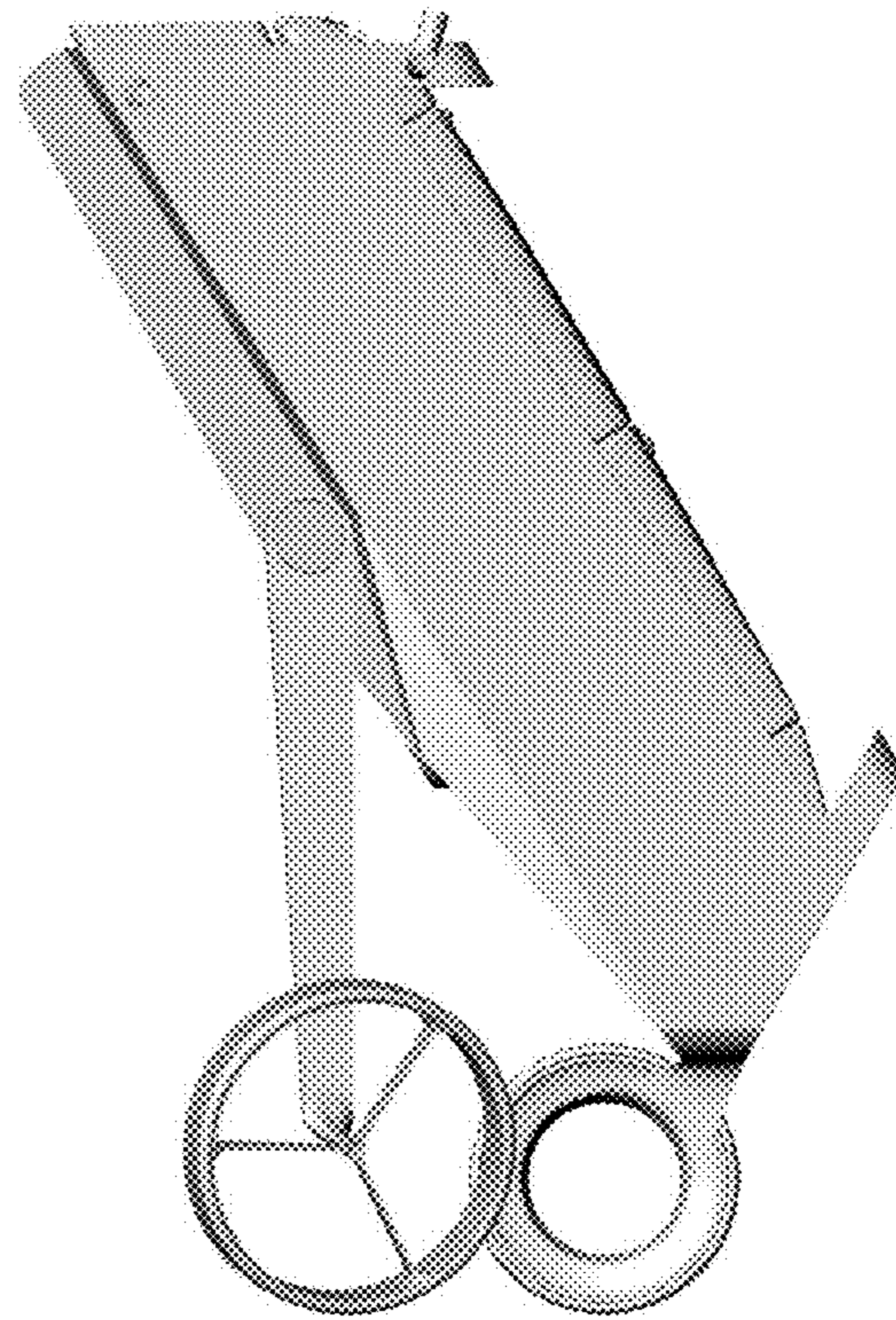
1.7



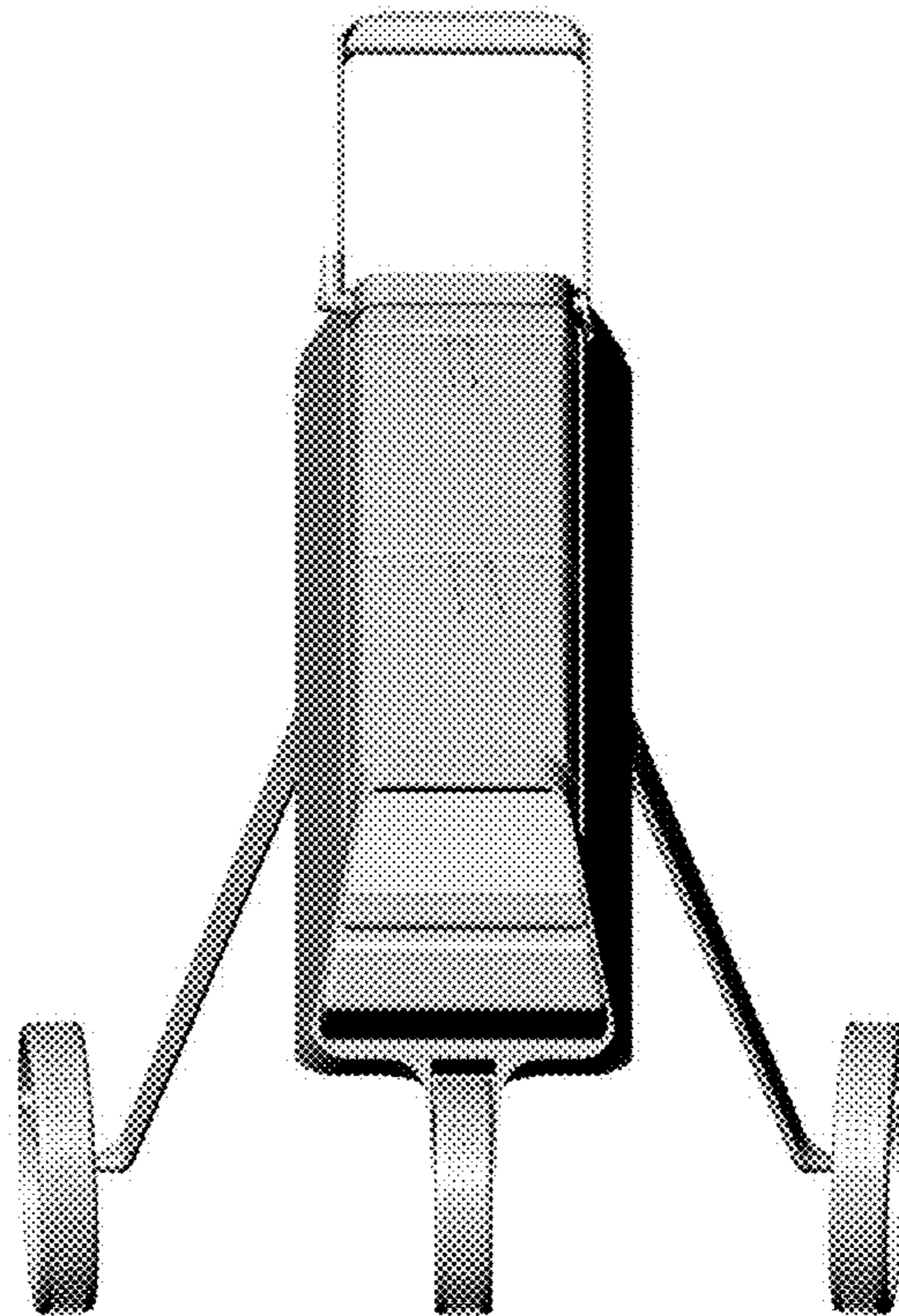
2.1



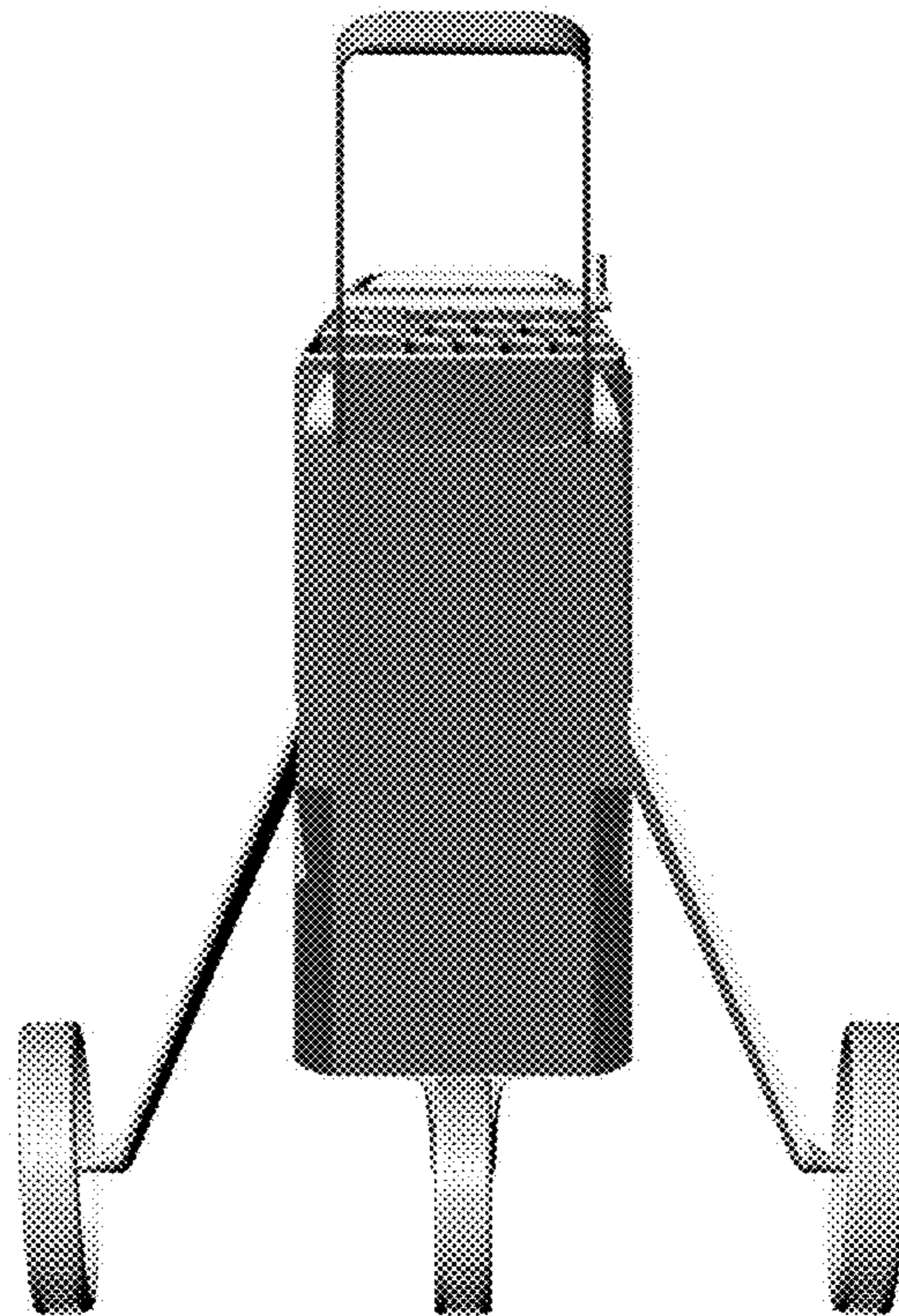
2.2



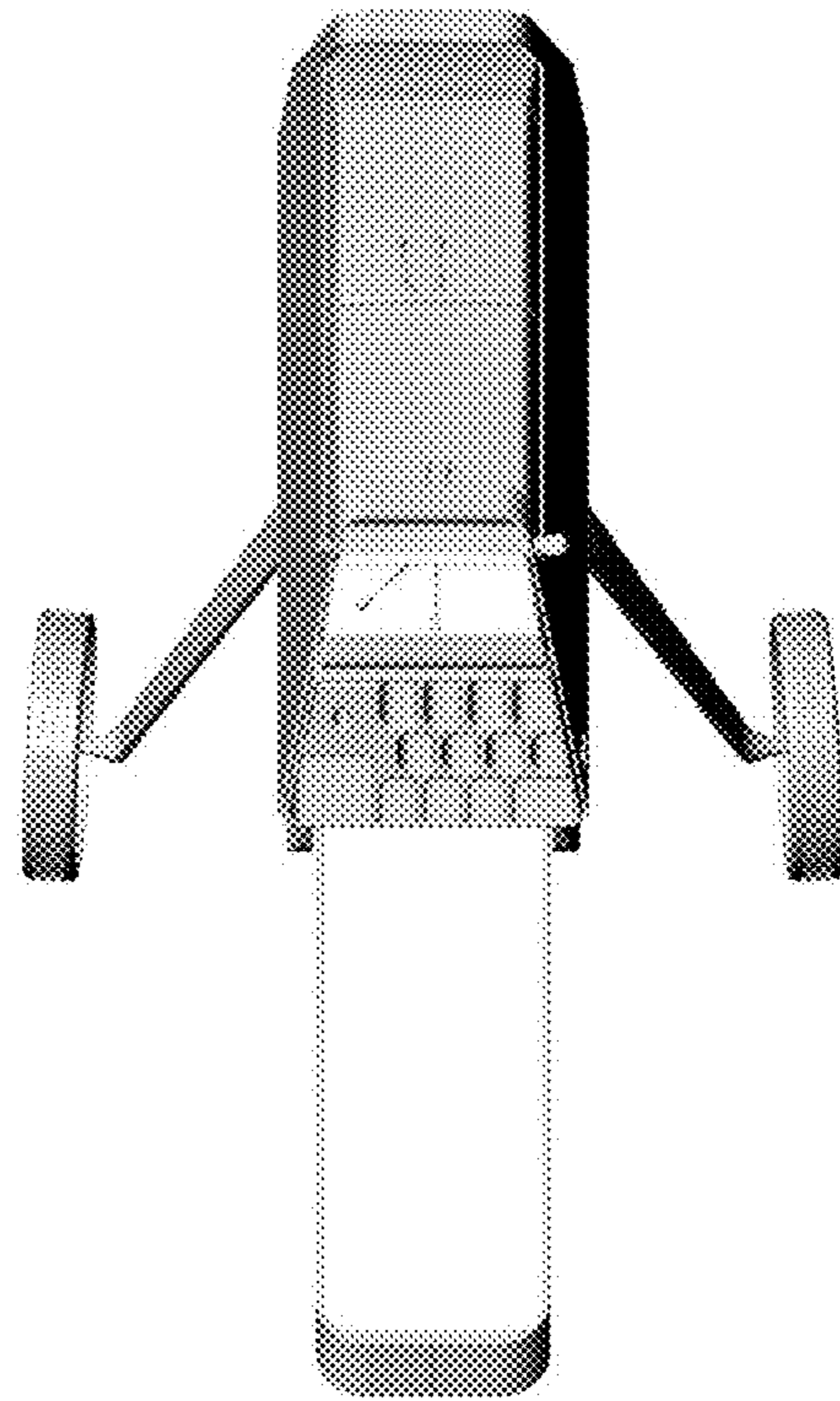
2.3



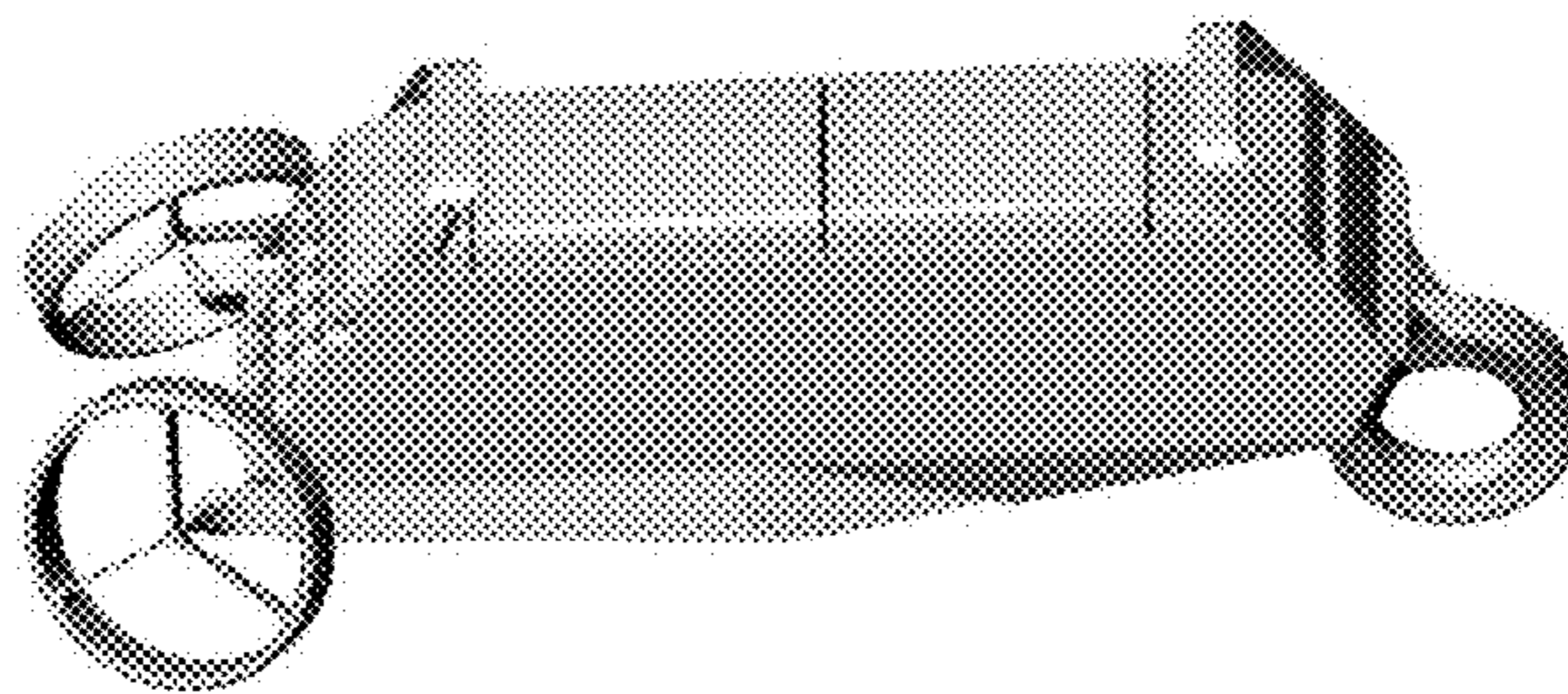
2.4



2.5



2.6



2.7

