



US00D985871S

(12) **United States Design Patent** (10) **Patent No.:** **US D985,871 S**
Stelmarski (45) **Date of Patent:** **** May 9, 2023**

- (54) **WASTE CAN**
- (71) Applicant: **InterDesign, Inc.**, Solon, OH (US)
- (72) Inventor: **Brian Stelmarski**, Hudson, OH (US)
- (73) Assignee: **InterDesign, Inc.**, Solon, OH (US)
- (**) Term: **15 Years**
- (21) Appl. No.: **29/817,806**
- (22) Filed: **Dec. 3, 2021**

- D294,992 S * 3/1988 Bouge D34/1
- 4,892,223 A * 1/1990 DeMent B65D 5/60
- D322,939 S * 1/1992 Murray D34/1
- D326,173 S * 5/1992 Newbold D34/1
- D332,334 S * 1/1993 Jones D34/1
- D405,576 S * 2/1999 Rausch D34/1
- D448,133 S * 9/2001 Windle D34/1
- D490,581 S * 5/2004 Keithly D34/1
- D493,590 S * 7/2004 Chen D34/1

(Continued)

Related U.S. Application Data

- (63) Continuation of application No. 29/682,723, filed on Mar. 7, 2019, now Pat. No. Des. 938,121, which is a continuation of application No. 29/571,044, filed on Jul. 14, 2016, now Pat. No. Des. 846,220, which is a continuation-in-part of application No. 29/516,882, filed on Feb. 6, 2015, now abandoned, and a continuation-in-part of application No. 29/509,596, filed on Nov. 19, 2014, now abandoned.

- (51) **LOC (14) Cl.** **09-09**
- (52) **U.S. Cl.**
USPC **D34/1**

- (58) **Field of Classification Search**
USPC D34/1, 7, 9; D7/523, 509, 506, 510, 524,
D7/526-528, 530, 531; D9/500, 502,
D9/516, 519, 541, 555, 776, 778
CPC B65F 1/06; B65F 1/068; B65F 7/00; B65F
2210/179; B65F 2220/12
See application file for complete search history.

(56) **References Cited**

U.S. PATENT DOCUMENTS

- 3,191,798 A * 6/1965 White B65F 1/1607
220/495.08
- D270,200 S * 8/1983 Creske D34/7
- 4,418,835 A * 12/1983 Watts B65F 1/06
220/495.1

OTHER PUBLICATIONS

Amazon.com, iDesign Rectangular Bamboo Waste Basket The Formbu Collection Apr. 13, 2016, <https://www.amazon.com/iDesign-Wastebasket-Bathroom-Bedroom-College/dp/B00FZJUXVC/> (Year: 2016).*

Primary Examiner — Nathan M Johnston
(74) *Attorney, Agent, or Firm* — Calfee, Halter & Griswold

(57) **CLAIM**

I claim the ornamental design for a waste can, as shown and described.

DESCRIPTION

FIG. 1 is a front/right/top perspective view of a waste can (a front/left/top perspective view would be a mirror image thereof);

FIG. 2 is a rear/left/bottom perspective view thereof (a rear/right/bottom perspective view would be a mirror image thereof);

FIG. 3 is a front elevational view thereof;

FIG. 4 is a right side elevational view thereof;

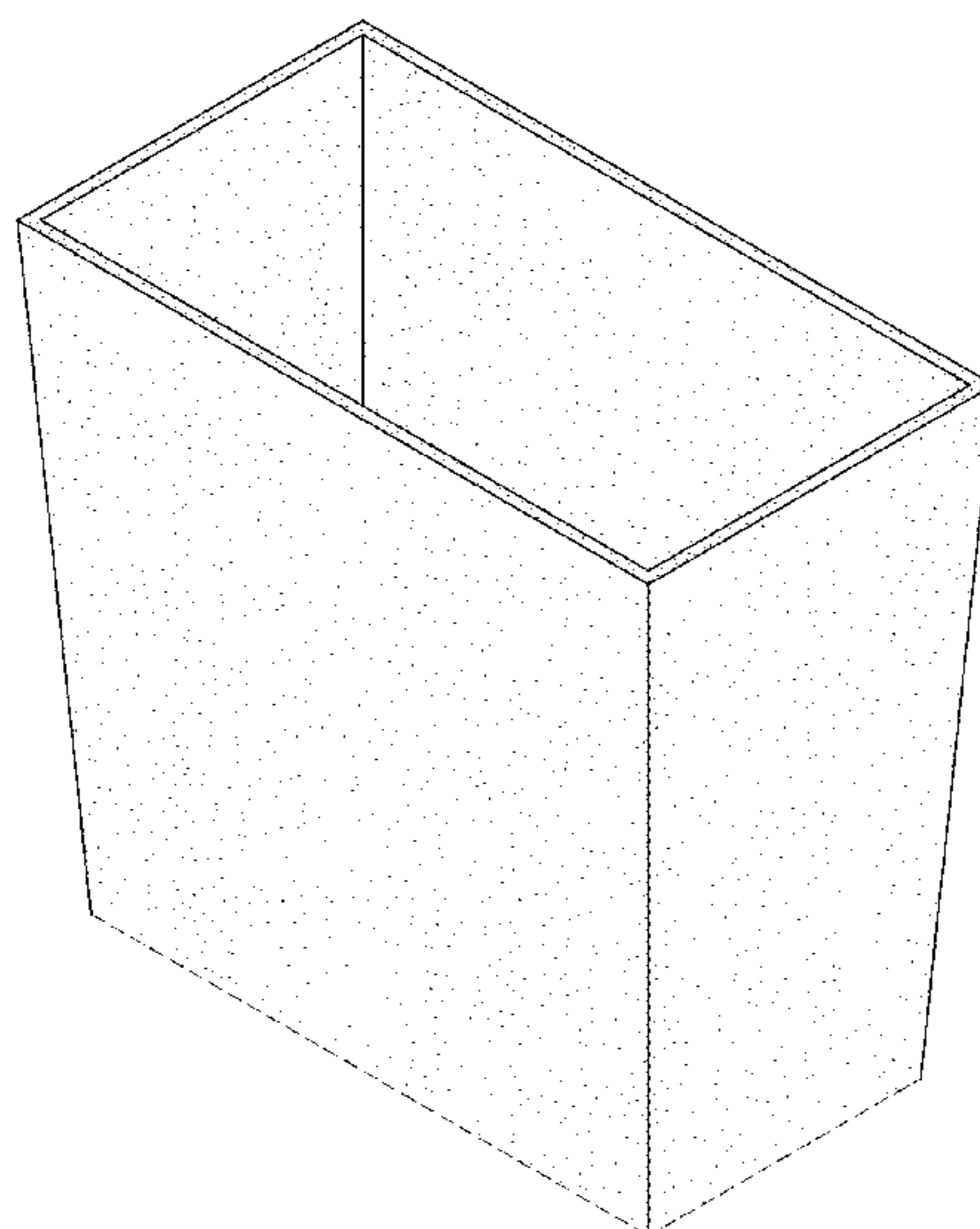
FIG. 5 is a top plan view thereof; and,

FIG. 6 is a bottom plan view thereof.

The stippling represents bamboo.

The broken lines show portions of the waste can that form no part of the claimed design.

1 Claim, 6 Drawing Sheets



(56)

References Cited

U.S. PATENT DOCUMENTS

| | | | | | |
|--------------|------|---------|----------|-------|-------------------------|
| 7,243,811 | B1 * | 7/2007 | Ramsey | | B65F 1/06 220/495.11 |
| D649,728 | S * | 11/2011 | Campbell | | D34/1 |
| D730,007 | S * | 5/2015 | Machen | | D34/1 |
| D794,272 | S * | 8/2017 | Kelsch | | D34/1 |
| D804,134 | S * | 11/2017 | Boyea | | D34/10 |
| D835,372 | S * | 12/2018 | Burns | | D34/1 |
| D893,949 | S * | 8/2020 | Ou | | D7/672 |
| 2003/0089719 | A1 * | 5/2003 | Berger | | B65F 1/062 220/495.1 |
| 2006/0131318 | A1 * | 6/2006 | Sumner | | B65F 1/06 220/752 |
| 2010/0065570 | A1 * | 3/2010 | Smith | | B65F 7/00 220/495.04 |
| 2014/0367389 | A1 * | 12/2014 | Madrid | | B65F 1/06 220/495.07 |
| 2015/0008226 | A1 * | 1/2015 | Dotson | | B65F 1/068 220/636 |
| 2018/0148258 | A1 * | 5/2018 | Andrade | | B65F 1/065 |
| 2020/0017292 | A1 * | 1/2020 | Eiler | | B65F 1/065 |

* cited by examiner

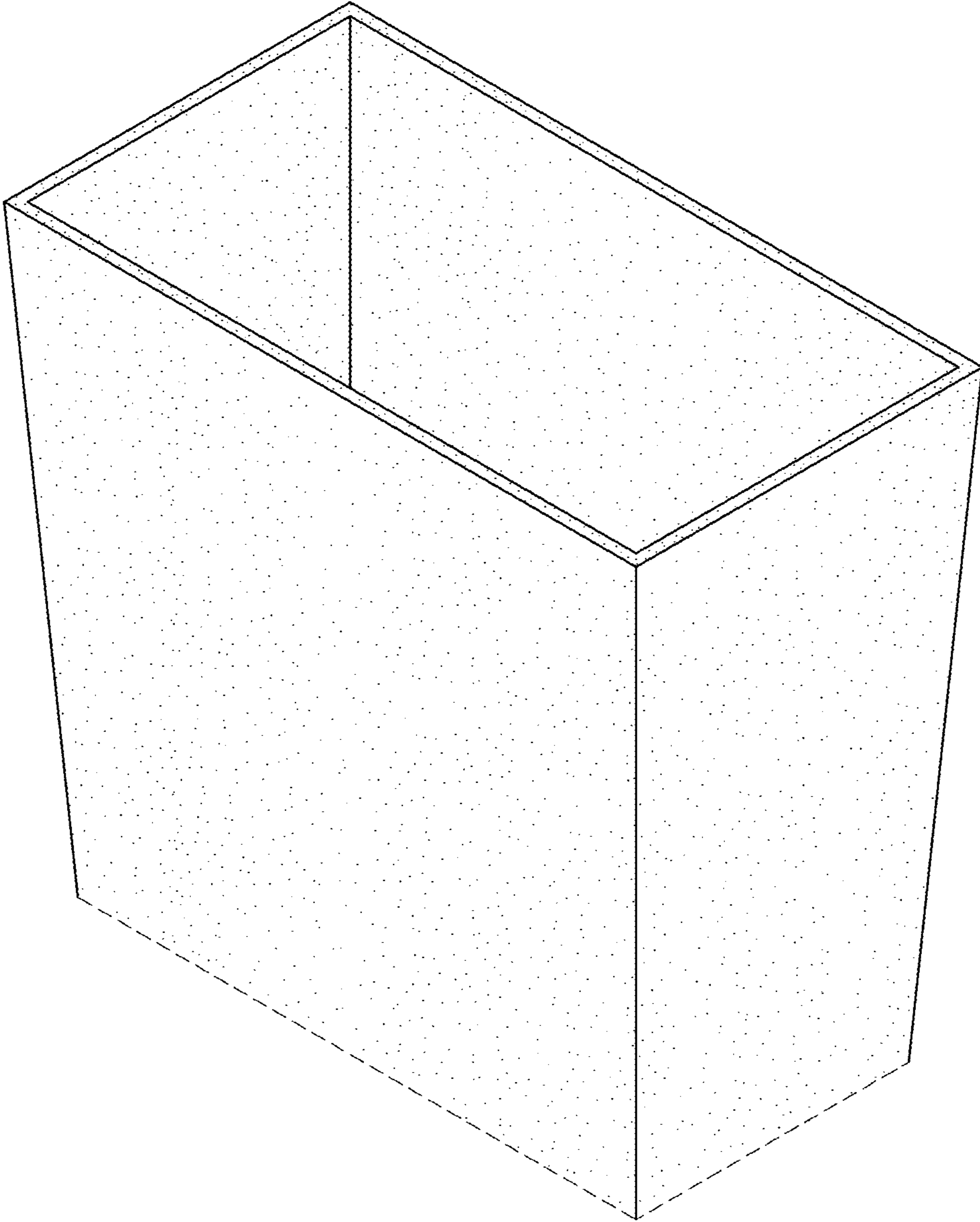


FIG. 1

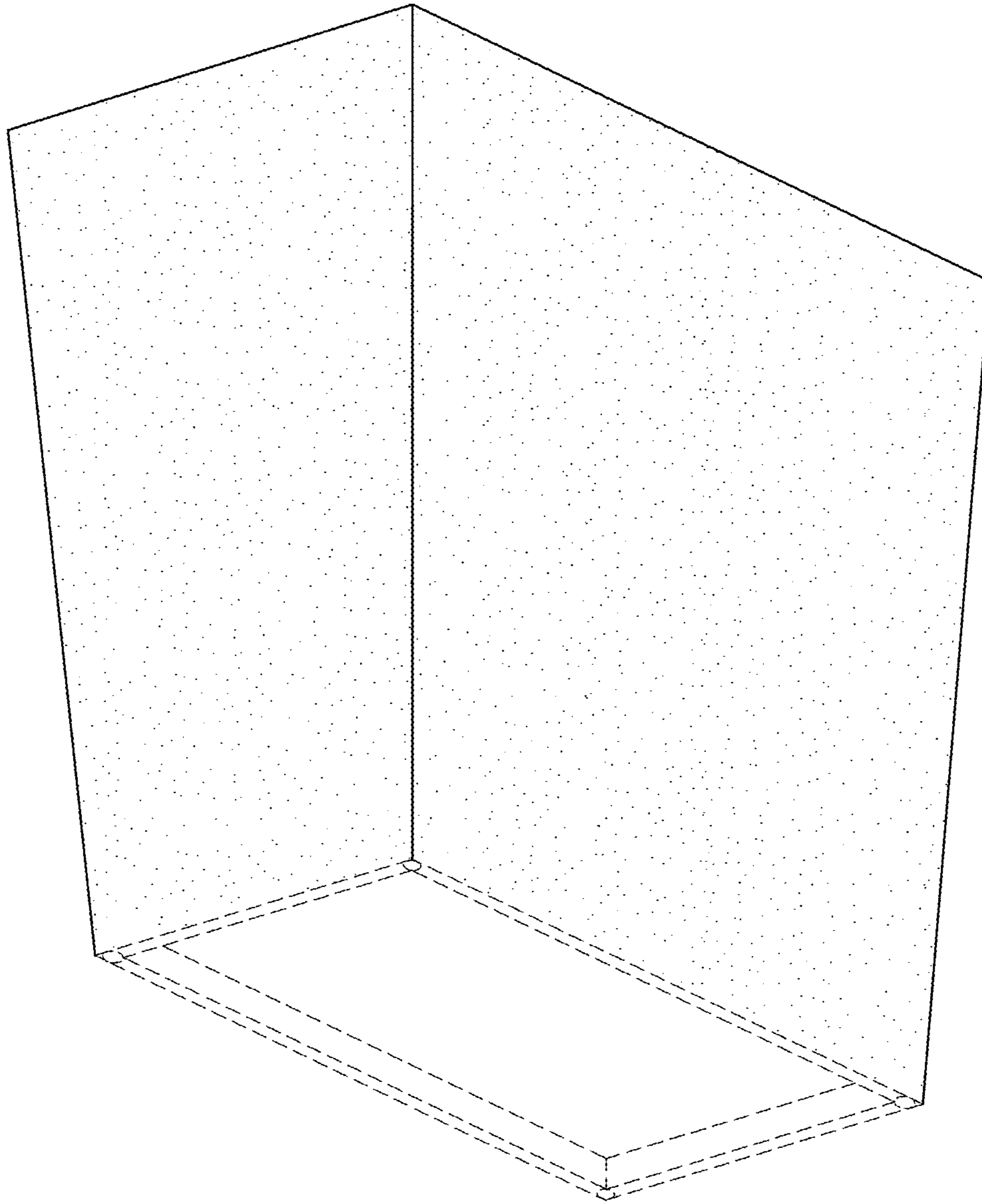


FIG. 2

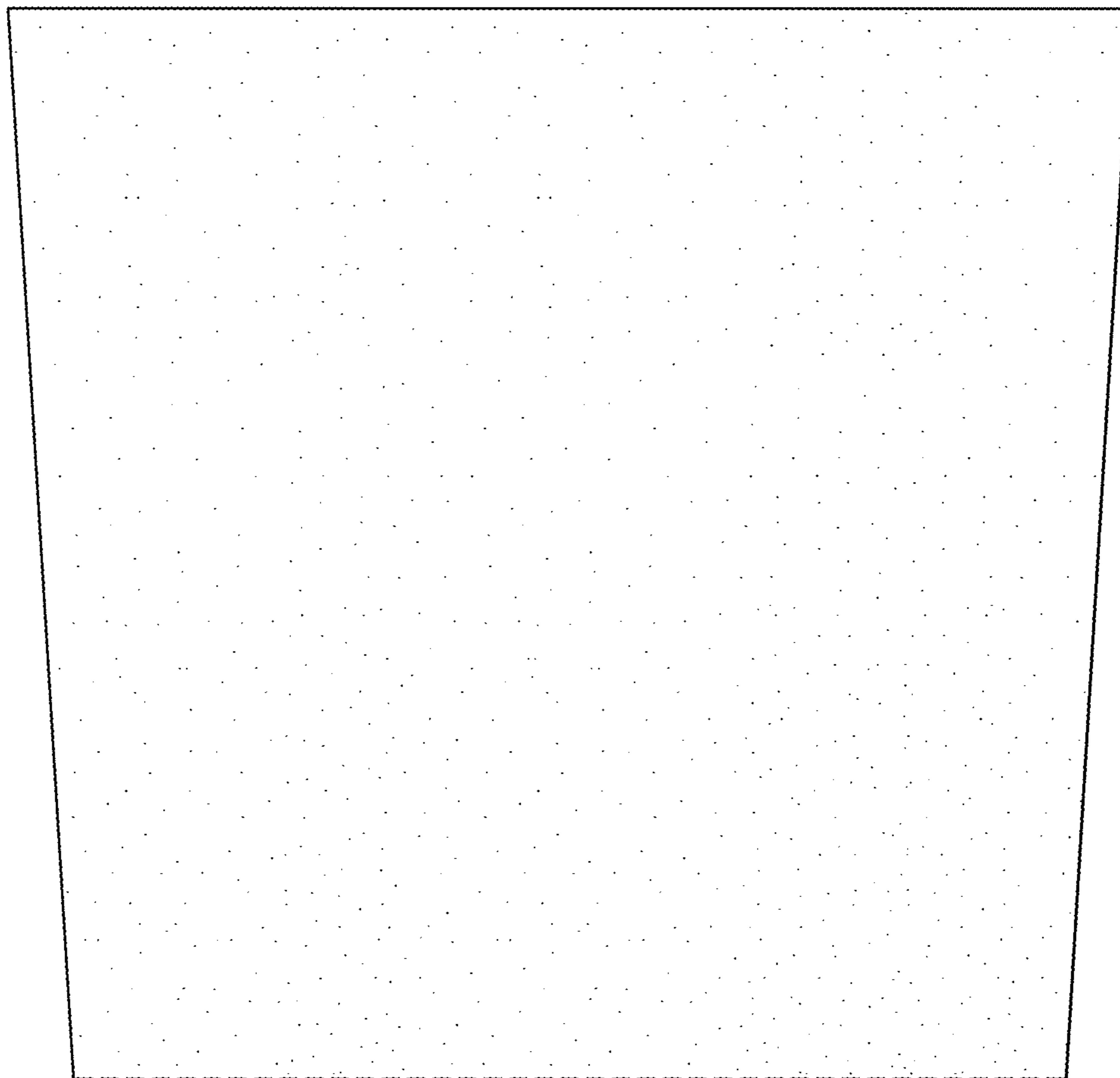


FIG. 3

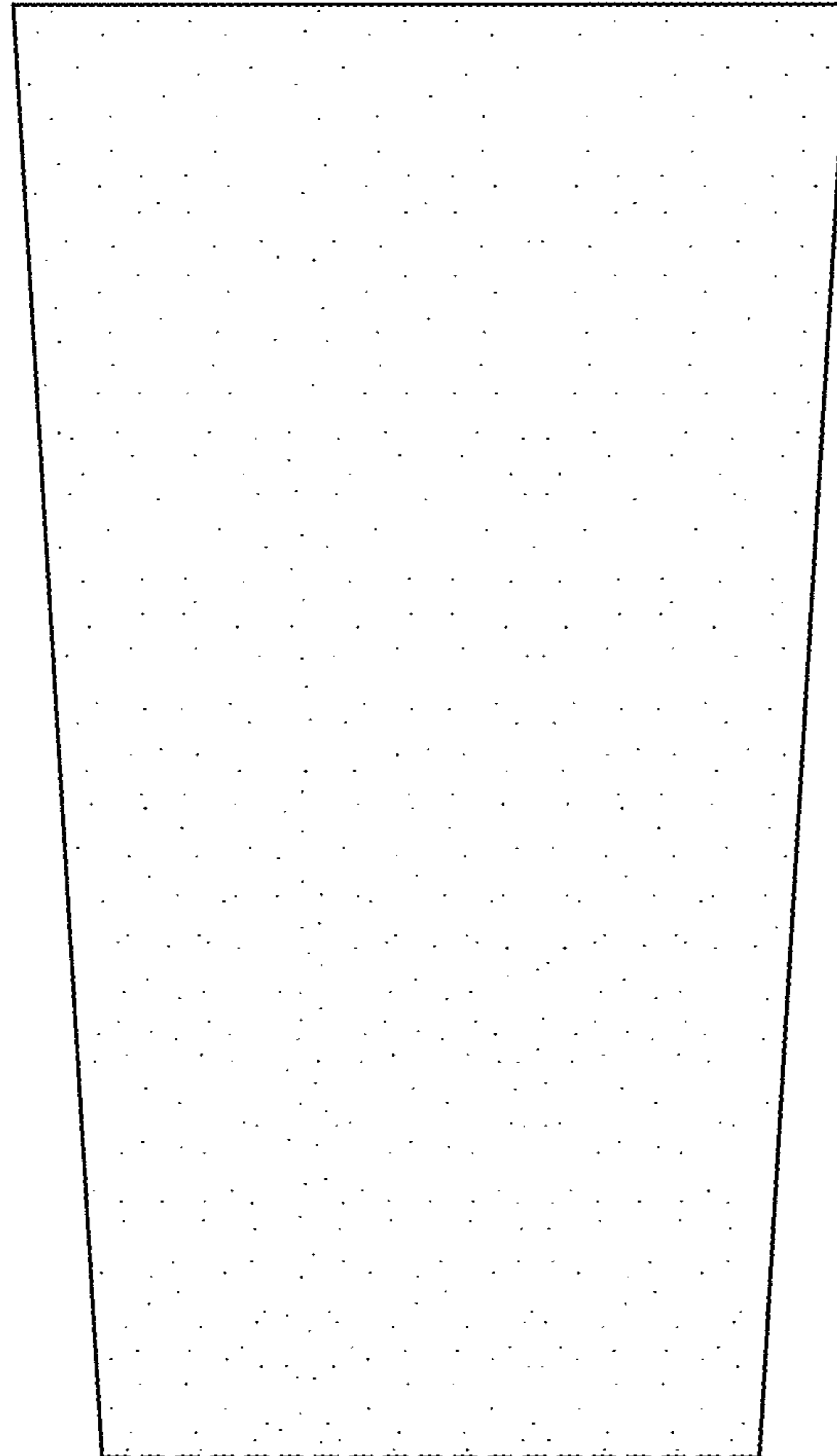


FIG. 4

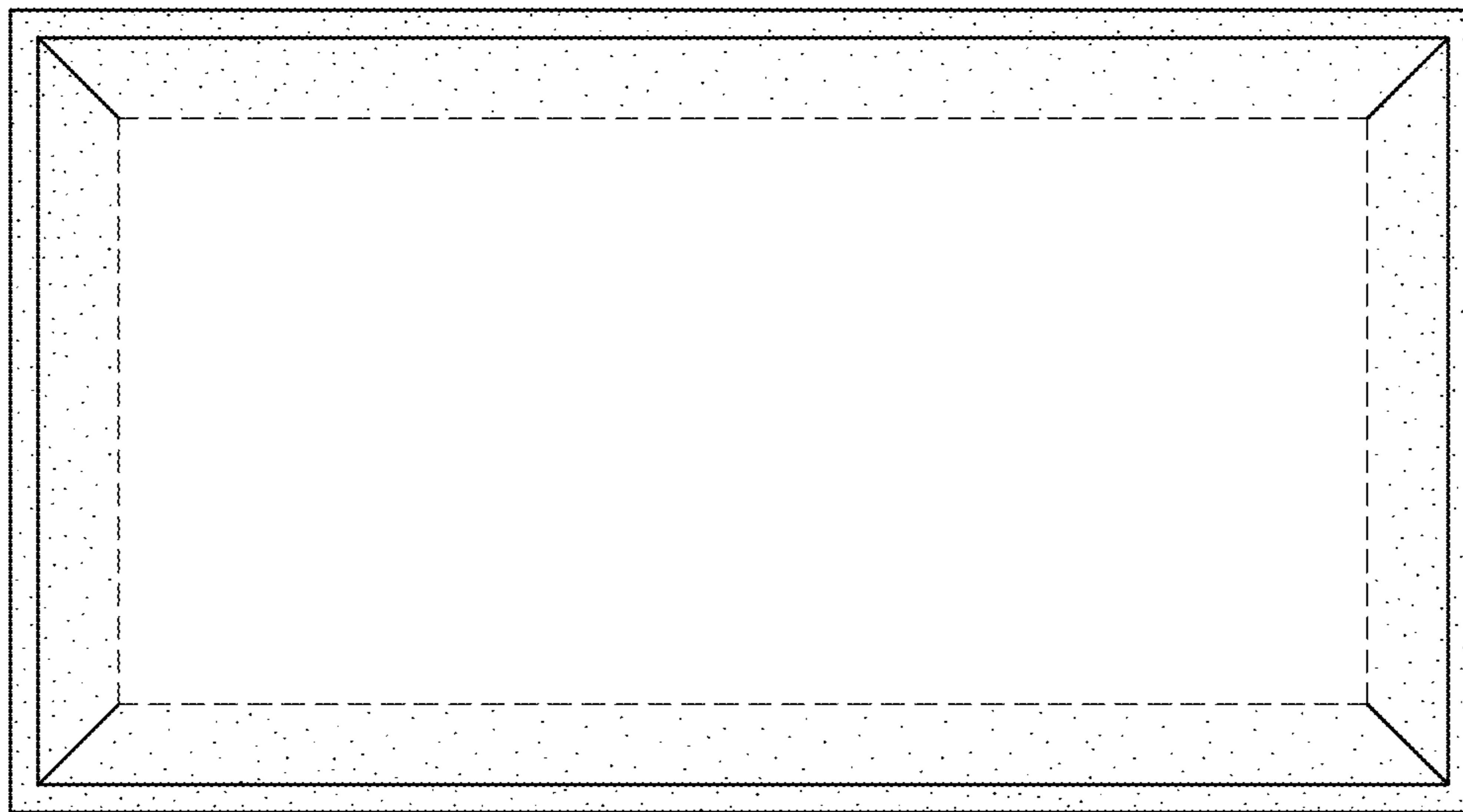


FIG. 5

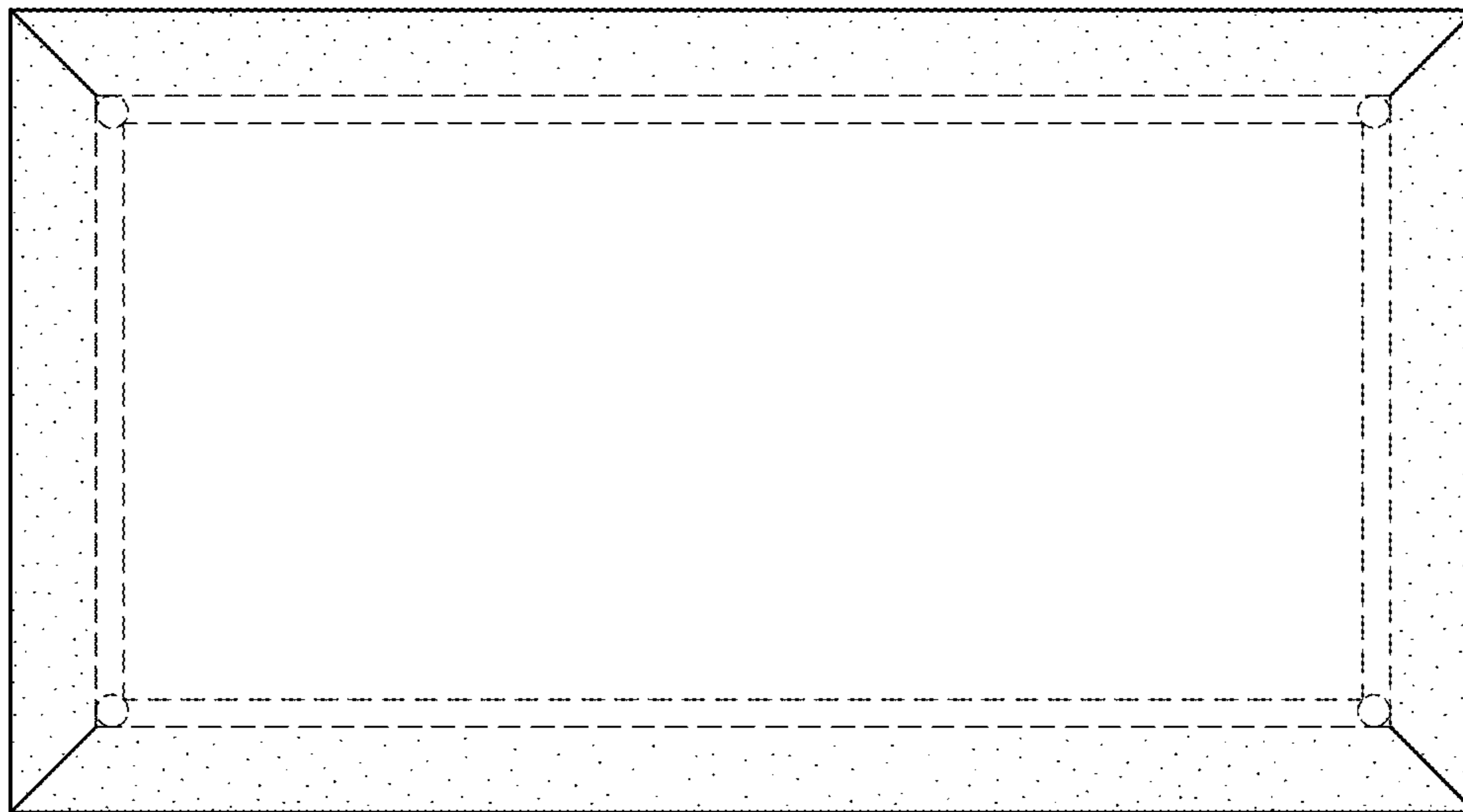


FIG. 6