



US00D985869S

(12) **United States Design Patent**
Zhang et al.

(10) **Patent No.:** **US D985,869 S**

(45) **Date of Patent:** **** *May 9, 2023**

(54) **DRYING RACK**

(71) Applicants: **Zi Zhang**, Flushing, NY (US); **Lan Chen**, New York, NY (US)

(72) Inventors: **Zi Zhang**, Flushing, NY (US); **Lan Chen**, New York, NY (US)

(73) Assignee: **Best Brands Consumer Products, Inc.**, Merrick, NY (US)

(*) Notice: This patent is subject to a terminal disclaimer.

(**) Term: **15 Years**

(21) Appl. No.: **29/818,554**

(22) Filed: **Dec. 9, 2021**

Related U.S. Application Data

(63) Continuation of application No. 29/731,110, filed on Apr. 12, 2020, now Pat. No. Des. 938,684.

(51) **LOC (14) Cl.** **07-05**

(52) **U.S. Cl.**
USPC **D32/55**

(58) **Field of Classification Search**
USPC D32/55, 276, 3; D6/510, 525; D30/133; 211/41.5, 41.4, 41.3, 41.8; 361/679.4; 312/311, 333, 334.4; D7/354, 629
CPC .. A47L 15/505; A47L 15/503; A47L 15/0013; A47L 19/02; A47L 19/04; A47J 47/20
See application file for complete search history.

(56) **References Cited**

U.S. PATENT DOCUMENTS

D268,878 S * 5/1983 Taylor D32/55
D736,488 S * 8/2015 Le D32/55

D822,930 S * 7/2018 Green D32/55
10,226,154 B2 * 3/2019 Richards A47J 47/20
D865,310 S * 10/2019 Baez D32/56
D871,703 S * 12/2019 Huang D32/55
D871,705 S * 12/2019 Richards D32/55
D873,520 S * 1/2020 Le D32/55
D938,122 S * 12/2021 Chen D32/55
D938,684 S * 12/2021 Zhang D32/55

* cited by examiner

Primary Examiner — Austin Murphy

(74) *Attorney, Agent, or Firm* — Goldberg Cohen LLP

(57) **CLAIM**

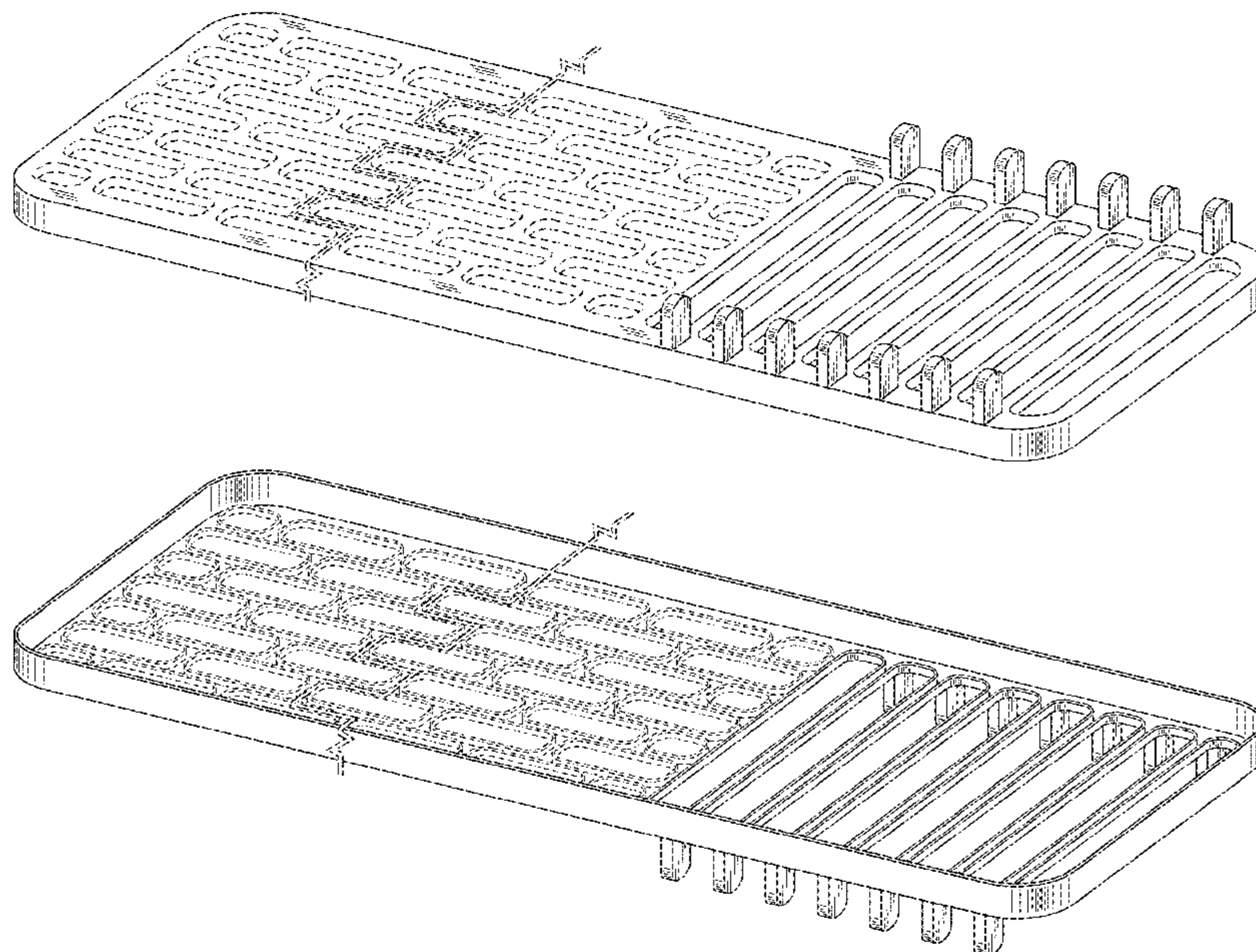
We claim the ornamental design for a drying rack, as shown and described.

DESCRIPTION

FIG. 1 is an isometric top, right side view of a drying rack; FIG. 2 is an isometric bottom, right side view thereof; FIG. 3 is a top view thereof; FIG. 4 is a bottom view thereof; FIG. 5 is a left side view thereof; FIG. 6 is a right side view thereof; FIG. 7 is a front view thereof; FIG. 8 is a rear view thereof; FIG. 9 is a cross-sectional right elevation view thereof, the section being taken in a direction of section line 9--9 of FIG. 3; and FIG. 10 is a cross-sectional left elevational view thereof; the section being taken in a direction of section line 10--10 of FIG. 3.

The broken lines in the drawings depict portions of the embodiments of the drying rack forming no part of the claim.

1 Claim, 8 Drawing Sheets



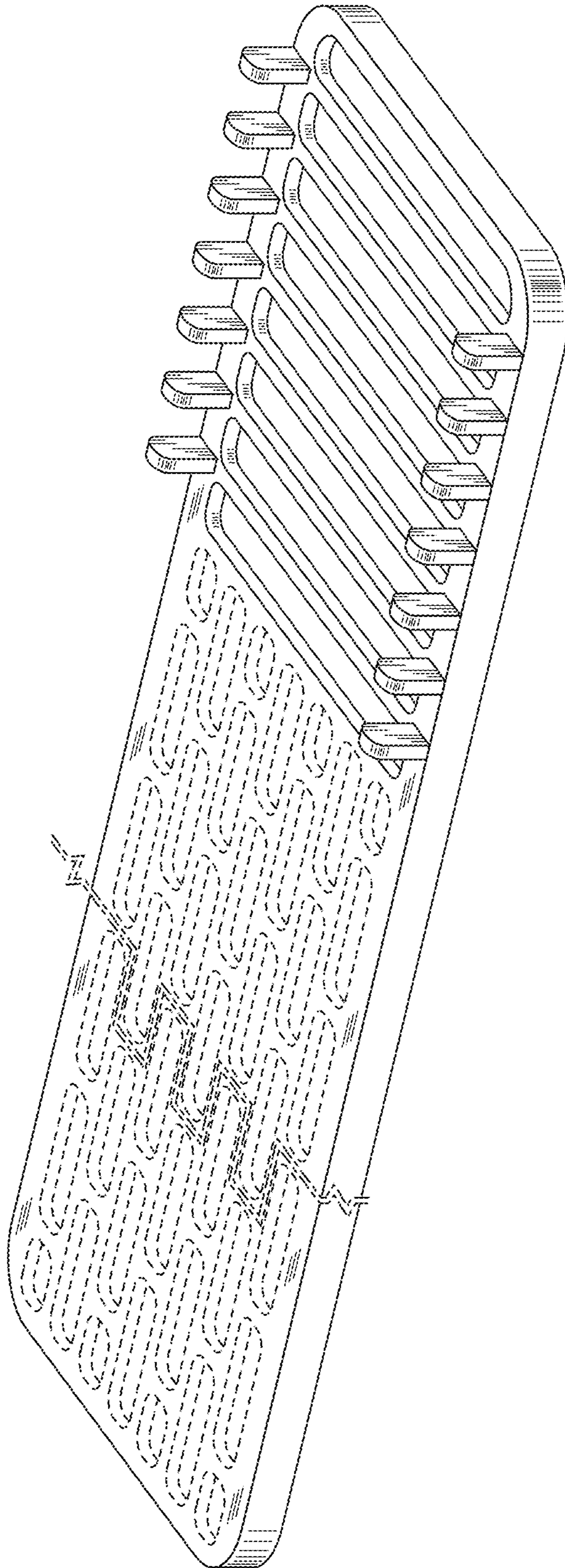


FIG. 1

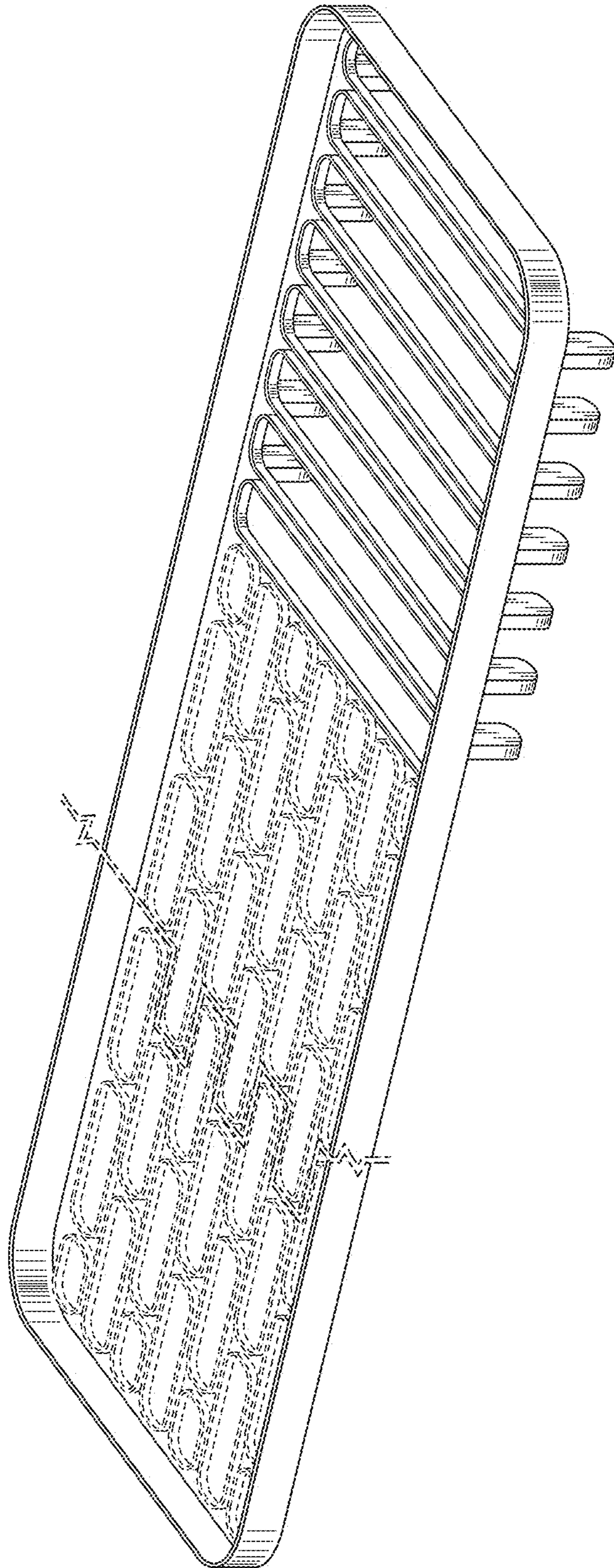


FIG. 2

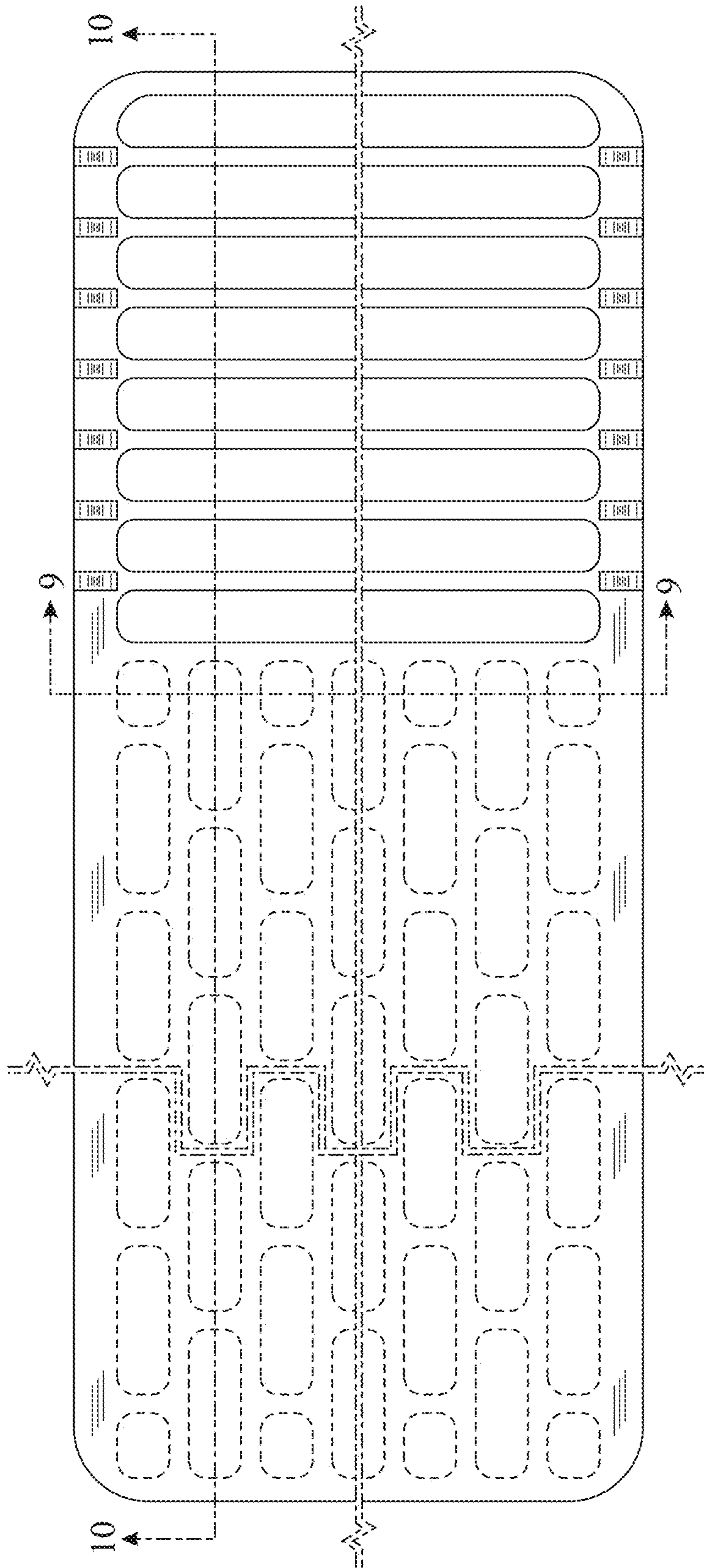


FIG. 3

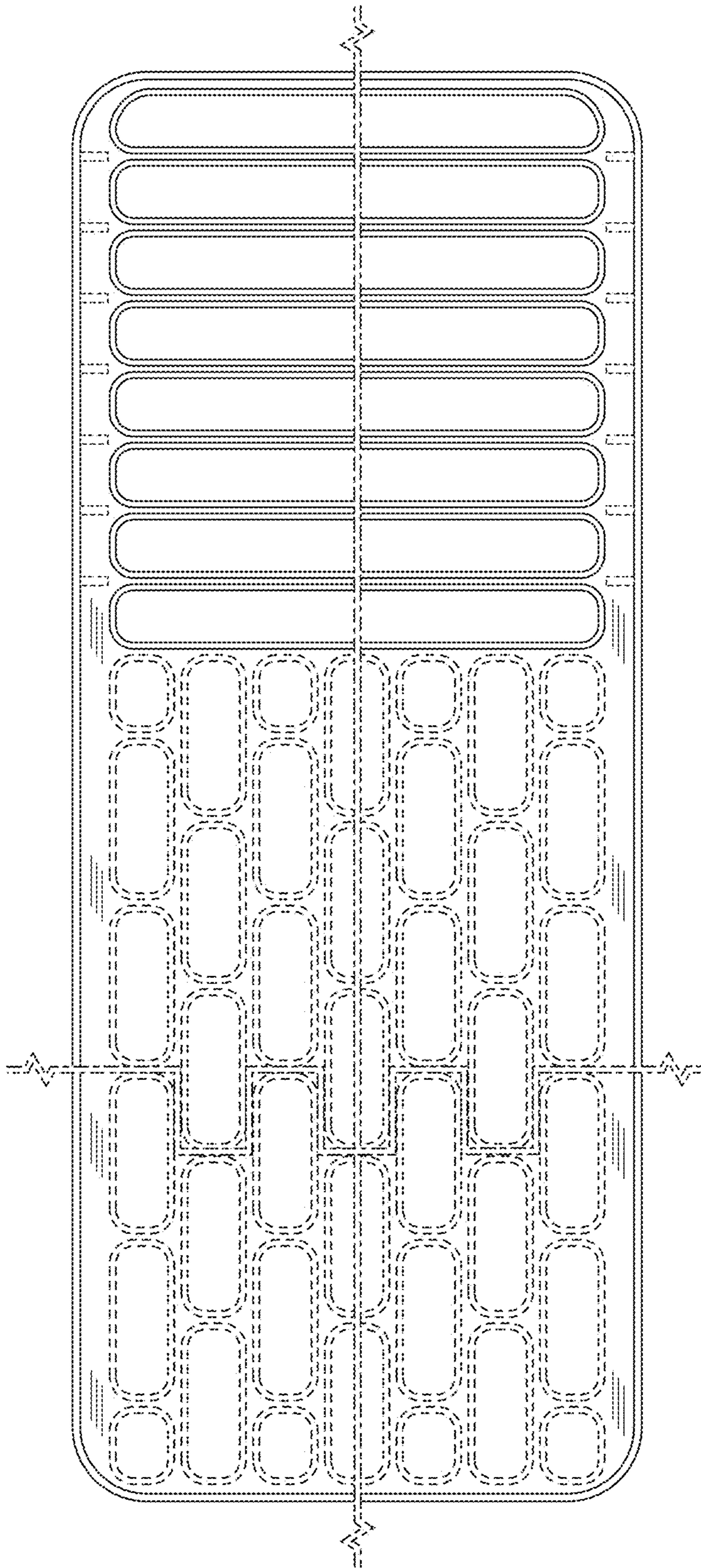


FIG. 4

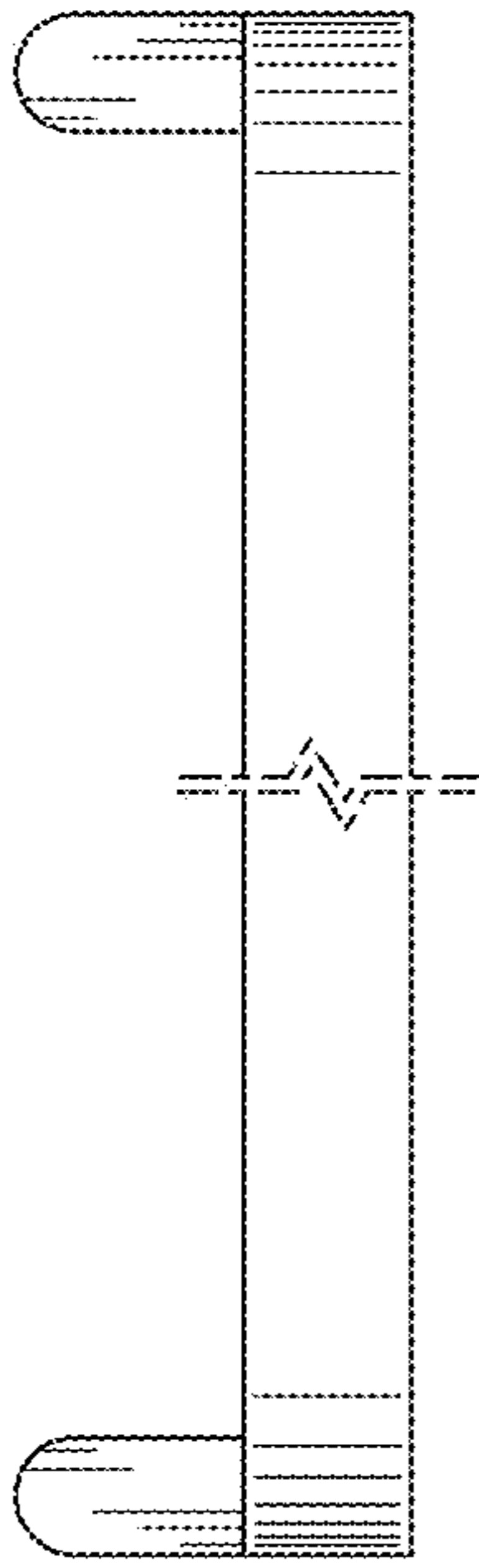


FIG. 5

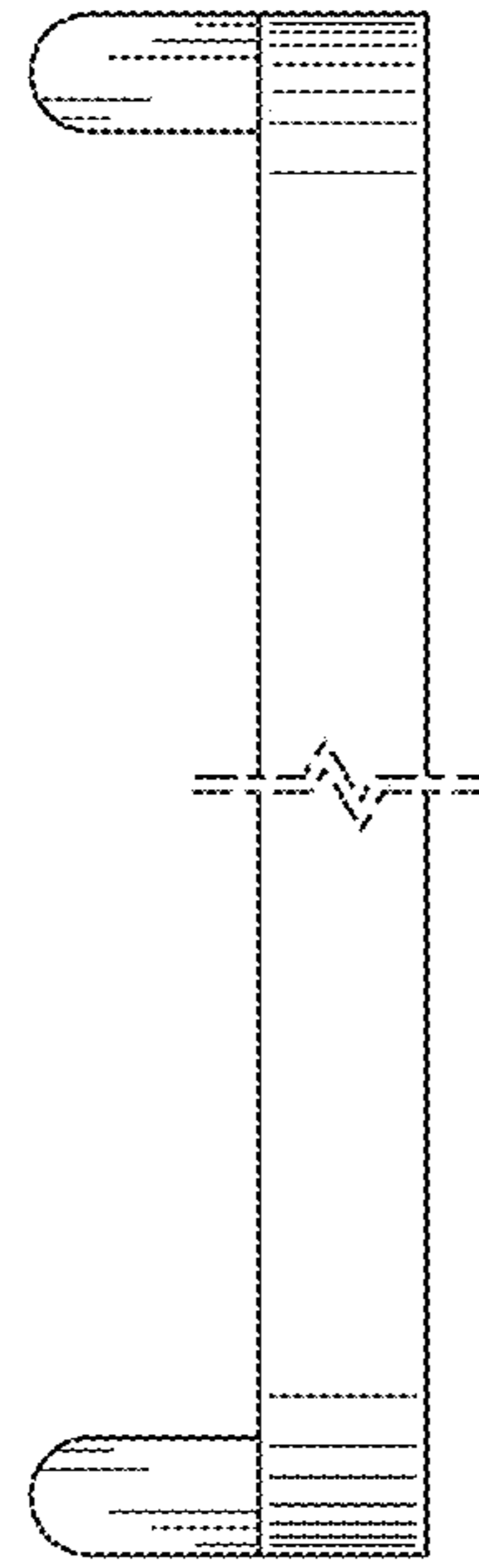


FIG. 6

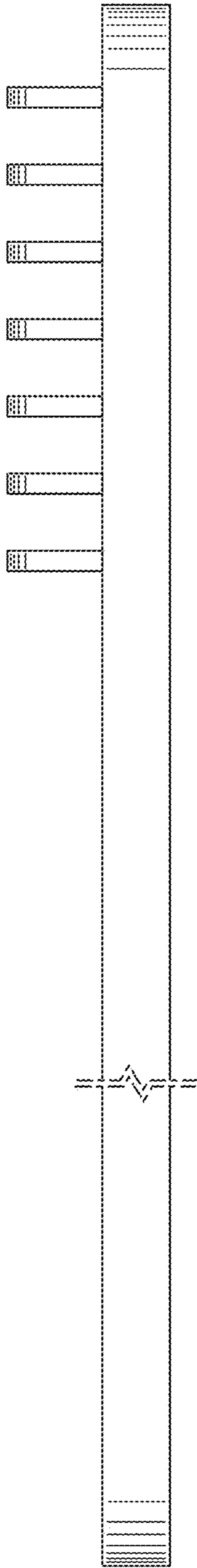


FIG. 7

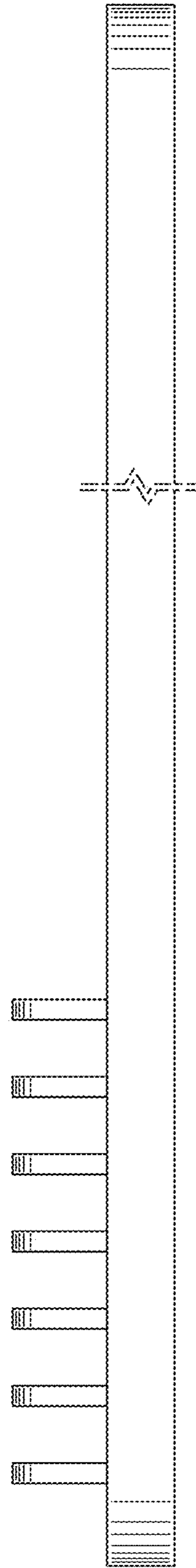


FIG. 8

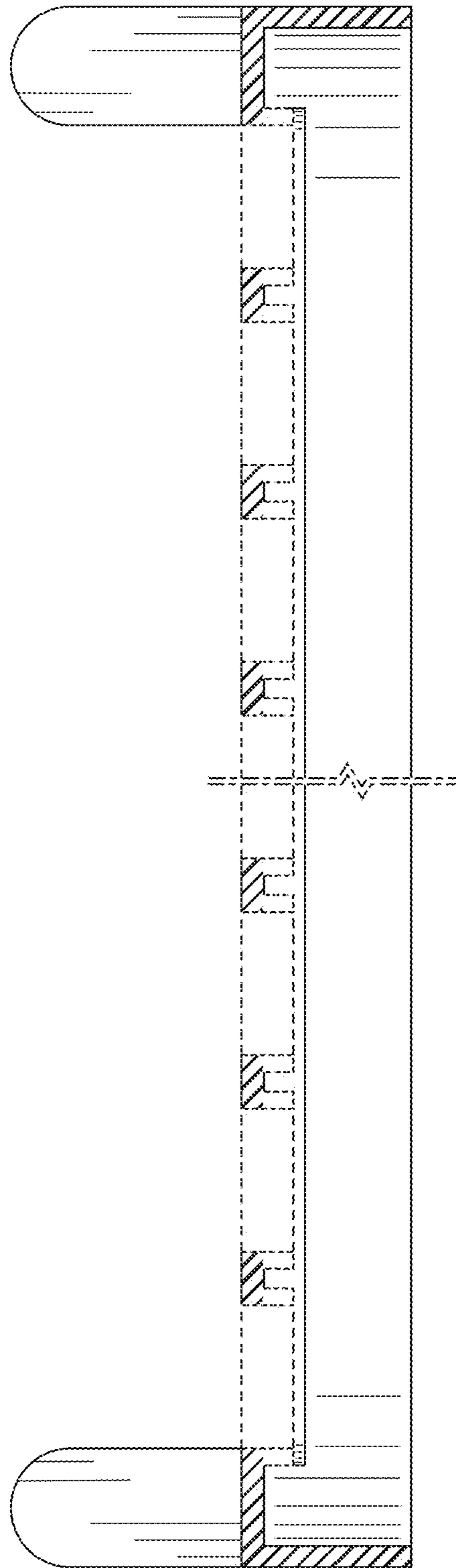


FIG. 9

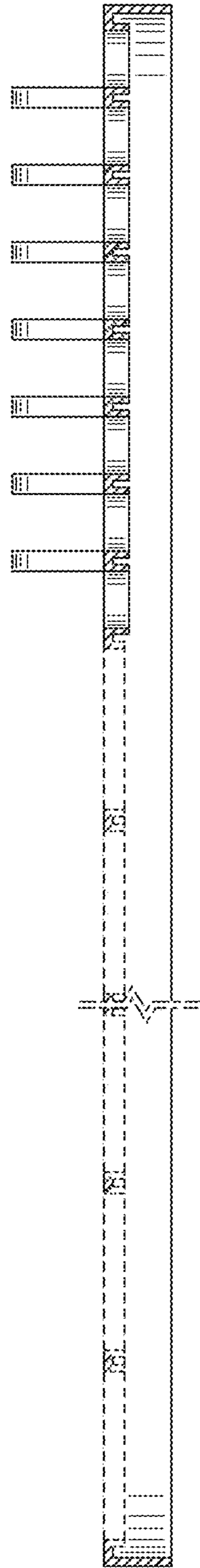


FIG. 10