



US00D985868S

(12) **United States Design Patent** (10) **Patent No.:** **US D985,868 S**
Wang (45) **Date of Patent:** **** May 9, 2023**

(54) **TRIGGER LOCK FOR VACUUM CLEANER**

D913,084 S * 3/2021 Nagaki D8/394
11,320,236 B1 * 5/2022 Preston F41C 33/041
D955,673 S * 6/2022 Liu D32/31
D968,735 S 11/2022 Wang
2007/0033765 A1 * 2/2007 Walker A47L 9/2857
15/344

(71) Applicant: **Guangzhou Lanmu Trading Co., Ltd.**,
Guangzhou (CN)

(72) Inventor: **Hao Wang**, Guangzhou (CN)

(73) Assignee: **GUANGZHOU LANMU TRADING CO., LTD.**, Guangzhou (CN)

FOREIGN PATENT DOCUMENTS

EM 015008064-0001 * 1/2023
GB 6129513 * 4/2021

(**) Term: **15 Years**

(21) Appl. No.: **29/869,681**

(22) Filed: **Jan. 6, 2023**

(51) **LOC (14) Cl.** **15-05**

(52) **U.S. Cl.**
USPC **D32/31**

(58) **Field of Classification Search**
USPC D8/382, 383, 385-387, 394, 397, 399;
D32/1, 3, 13, 17-19, 24, 25, 27, 29,
D32/30-32, 35
CPC F41A 17/54; A47L 5/24; A47L 5/26; A47L
9/2868; A47L 9/00; A47L 11/00; A47L
11/40; A47L 9/32; A47L 9/322; A47L
9/325; A47L 9/327

See application file for complete search history.

OTHER PUBLICATIONS

Amazon.com—LANMU Upgraded Trigger Lock https://www.amazon.com/LANMU-Upgraded-Compatible-Motorhead-Attachments/dp/B0BPSCVV6H/ref=sr_1_2_sspa (Year: 2022).
Amazon.co.uk LANMU Trigger Lock https://www.amazon.co.uk/LANMU-Trigger-Vacuum-Cleaner-Accessories/dp/B081QBZ1VN/ref=sr_1_1 (Year: 2019).*

* cited by examiner

Primary Examiner — Kevin K Rudzinski
Assistant Examiner — Richard E Yenchesky

(57) **CLAIM**

The ornamental design for a trigger lock for vacuum cleaner, as shown and described.

(56) **References Cited**

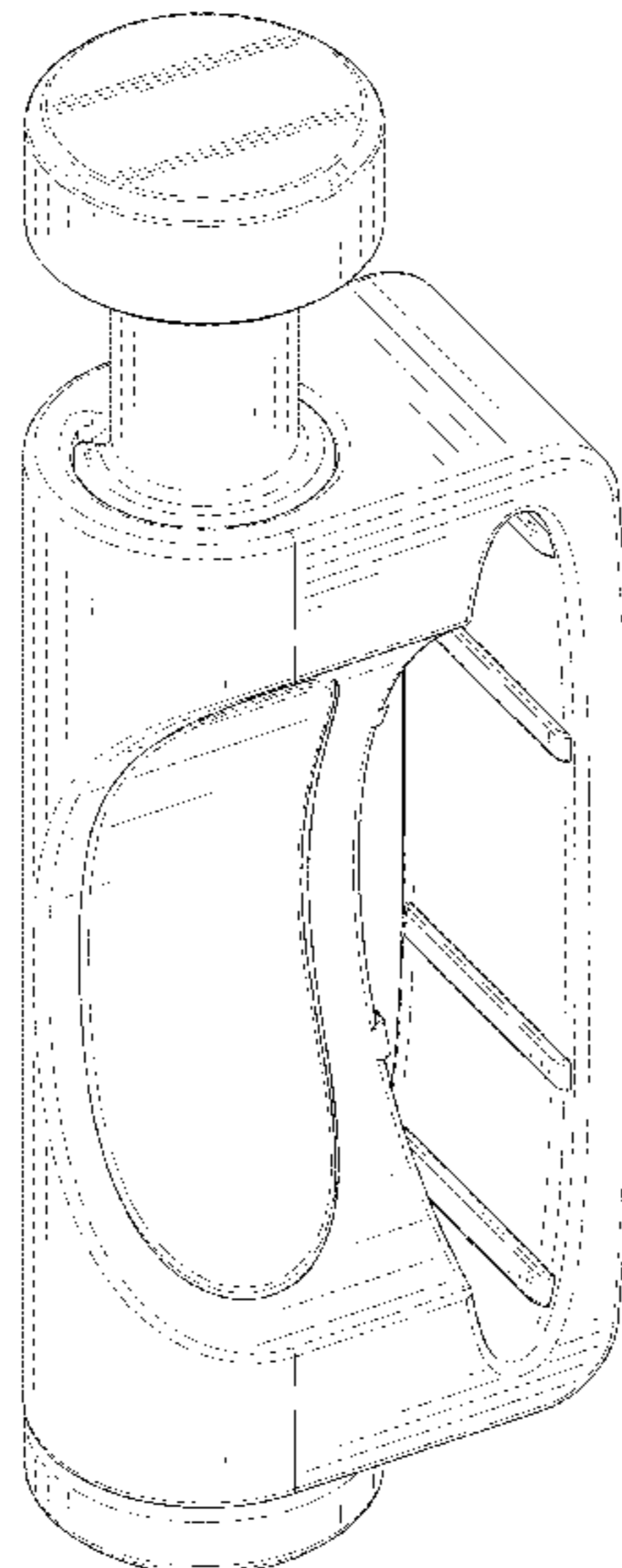
U.S. PATENT DOCUMENTS

5,392,551 A * 2/1995 Simpson F41A 17/54
42/70.07
6,460,283 B1 * 10/2002 Ramos F41A 17/54
42/70.07
6,474,238 B1 * 11/2002 Weinraub F41A 17/54
42/70.07
D728,876 S * 5/2015 Scarpellini D32/25
D823,091 S * 7/2018 Burchard D32/25
D885,000 S * 5/2020 Metz D32/31
D905,361 S * 12/2020 Wang D32/31
D910,947 S * 2/2021 Zhu D32/31
D911,158 S * 2/2021 Jenkins D8/382

DESCRIPTION

FIG. 1 is a front and top perspective view of a trigger lock for vacuum cleaner, showing my new design;
FIG. 2 is a rear and bottom perspective view thereof;
FIG. 3 is a front elevation view thereof;
FIG. 4 is a rear elevation view thereof;
FIG. 5 is a left side elevation view thereof;
FIG. 6 is a right side elevation view thereof;
FIG. 7 is a top plan view thereof; and,
FIG. 8 is a bottom plan view thereof.

1 Claim, 8 Drawing Sheets



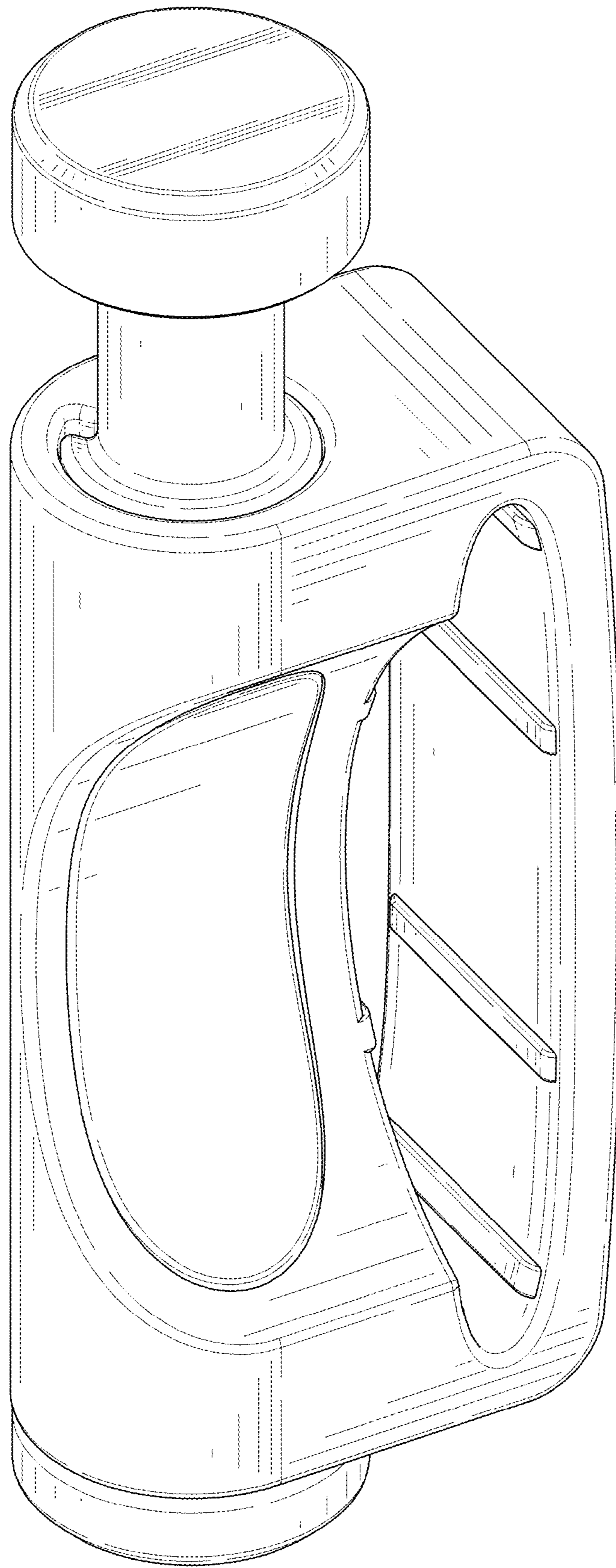


FIG. 1

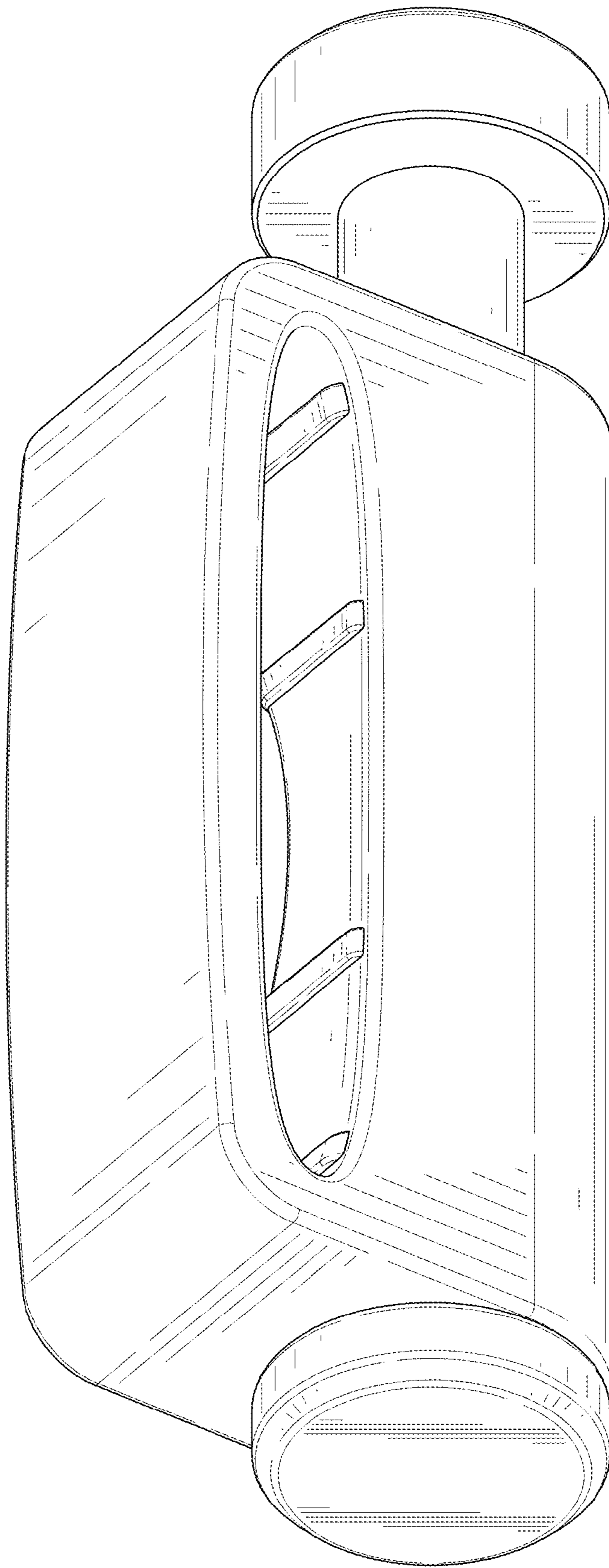


FIG. 2

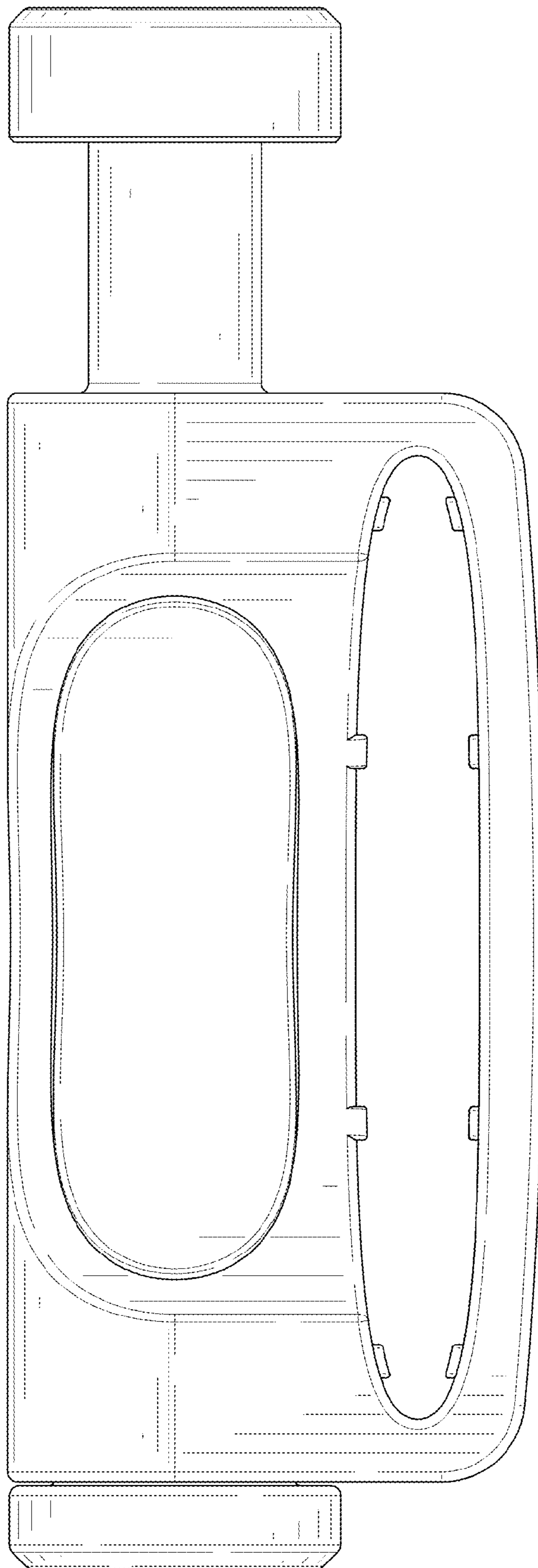


FIG. 3

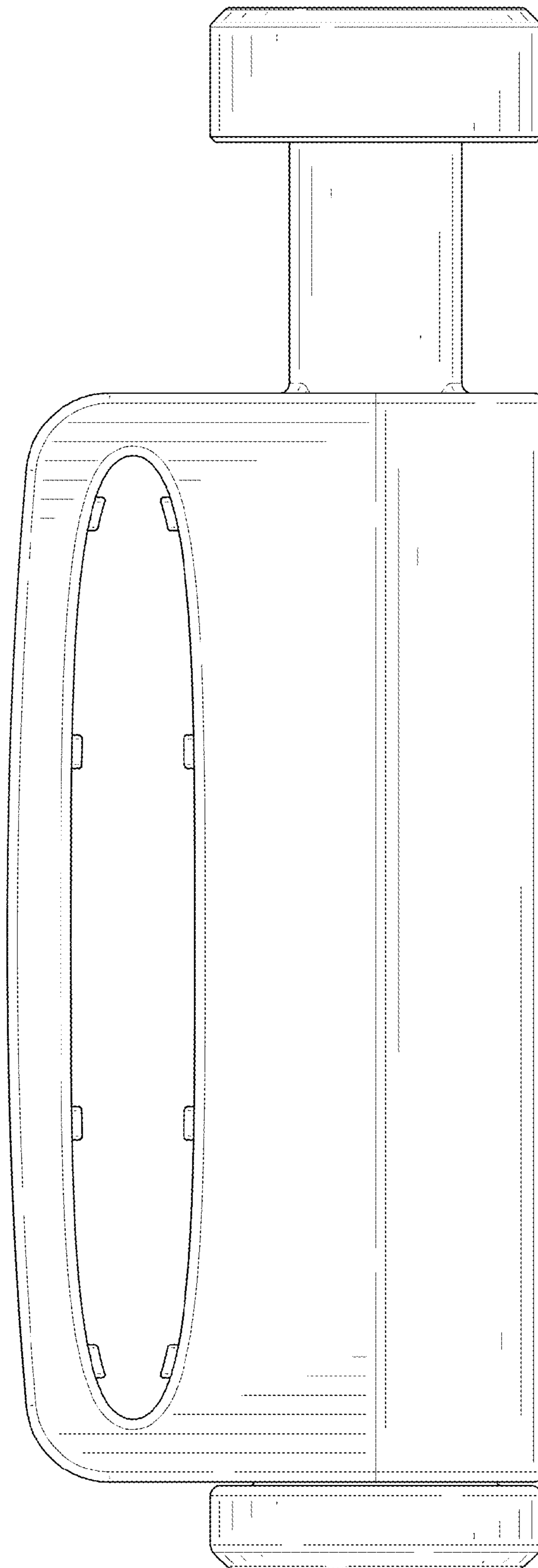


FIG. 4

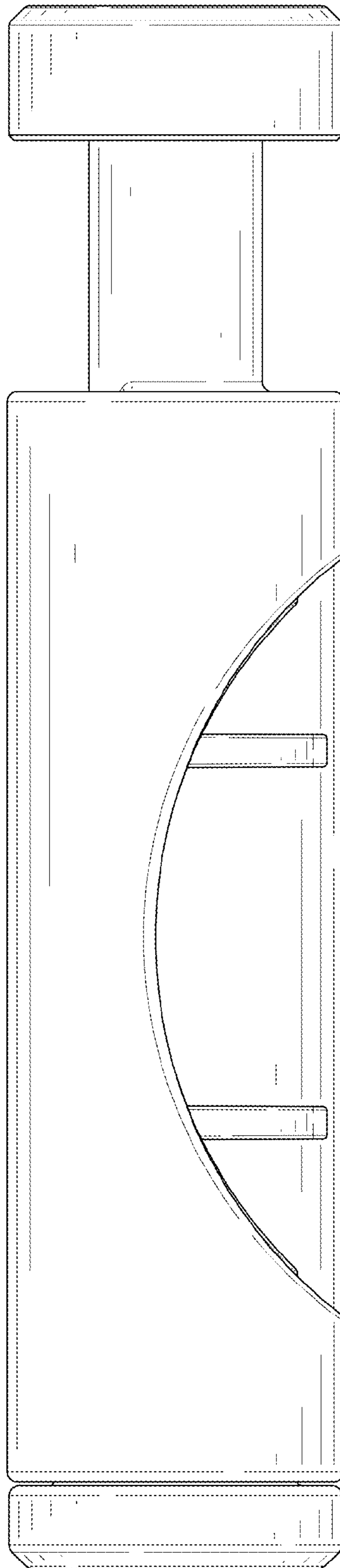


FIG. 5

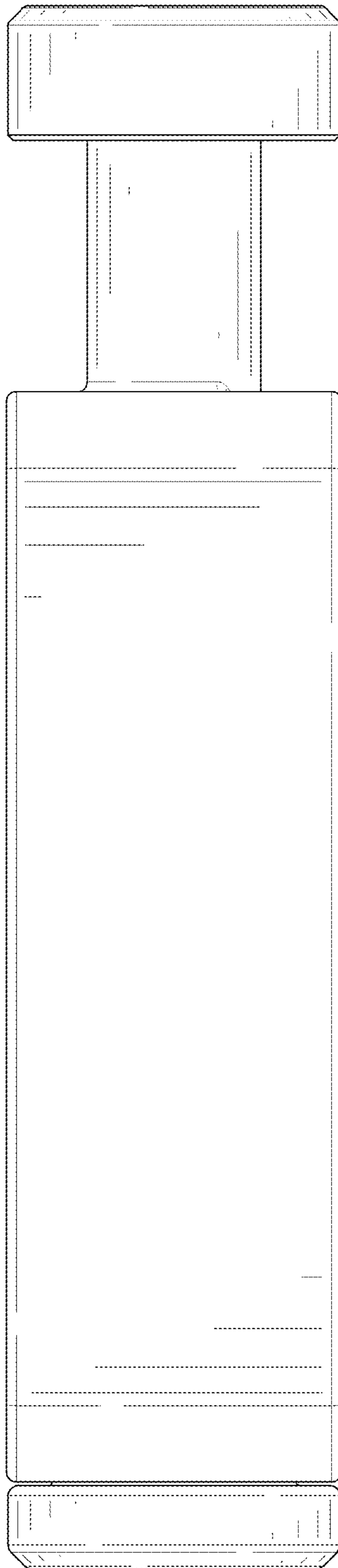


FIG. 6

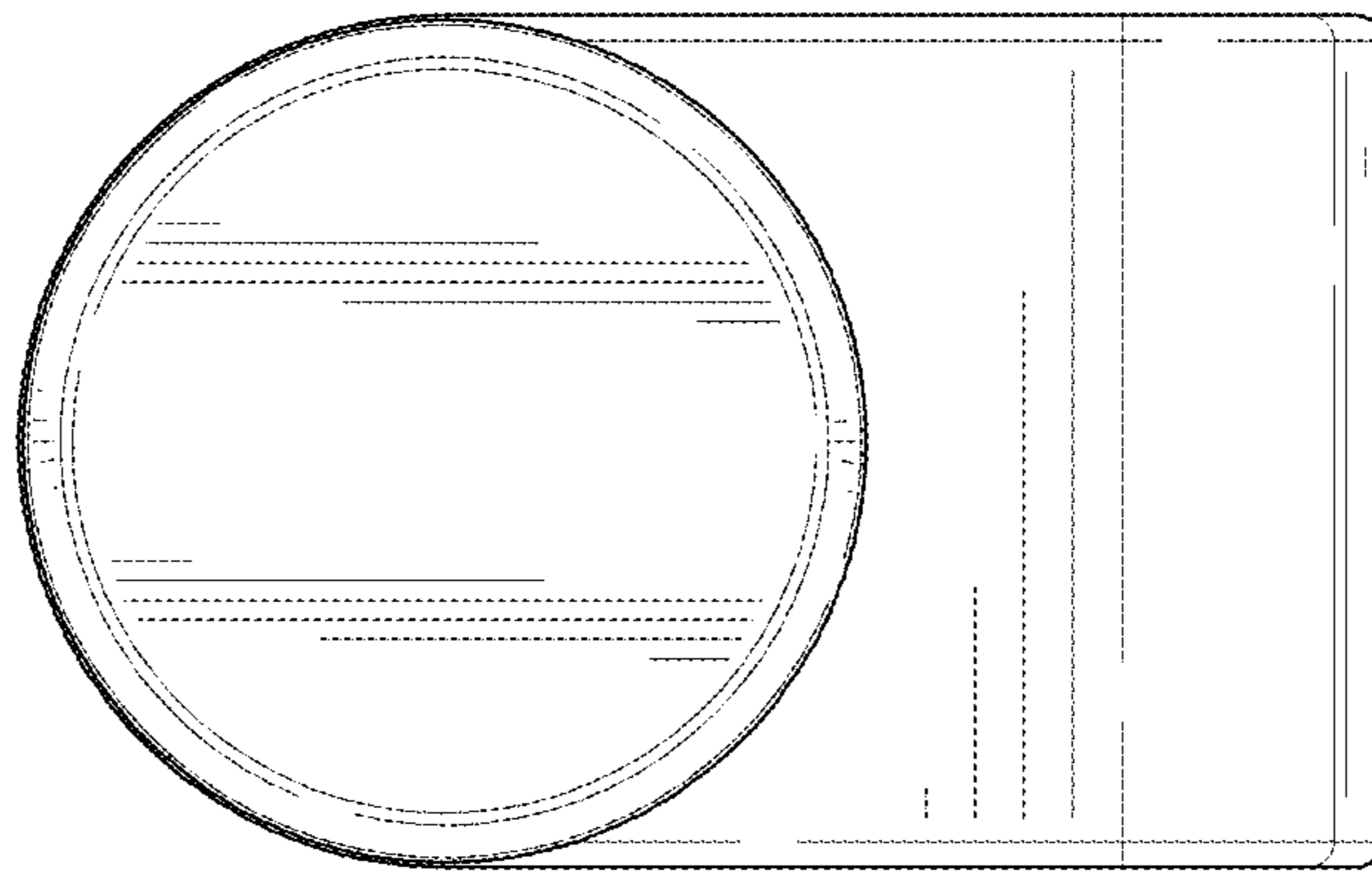


FIG. 7

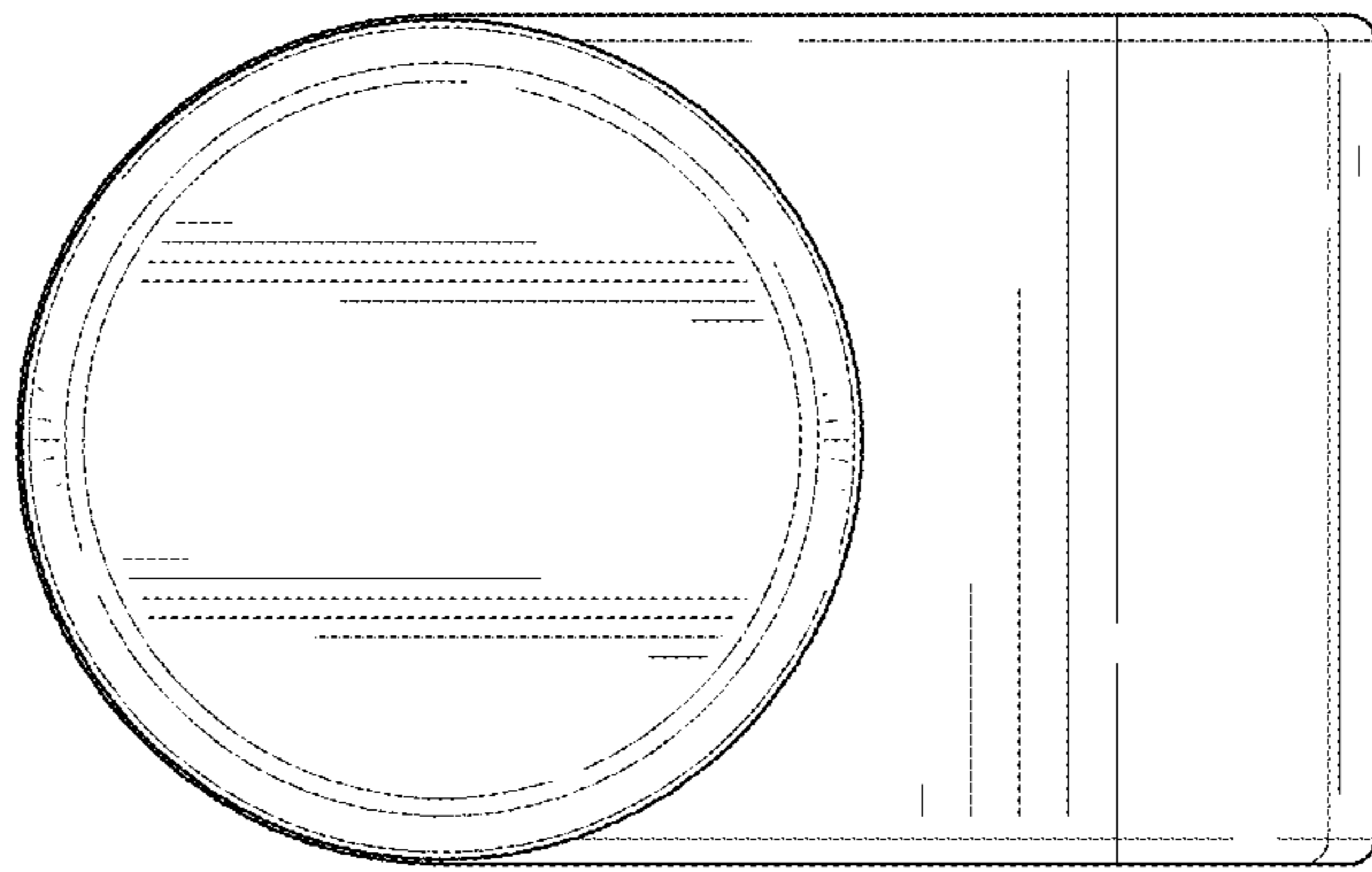


FIG. 8